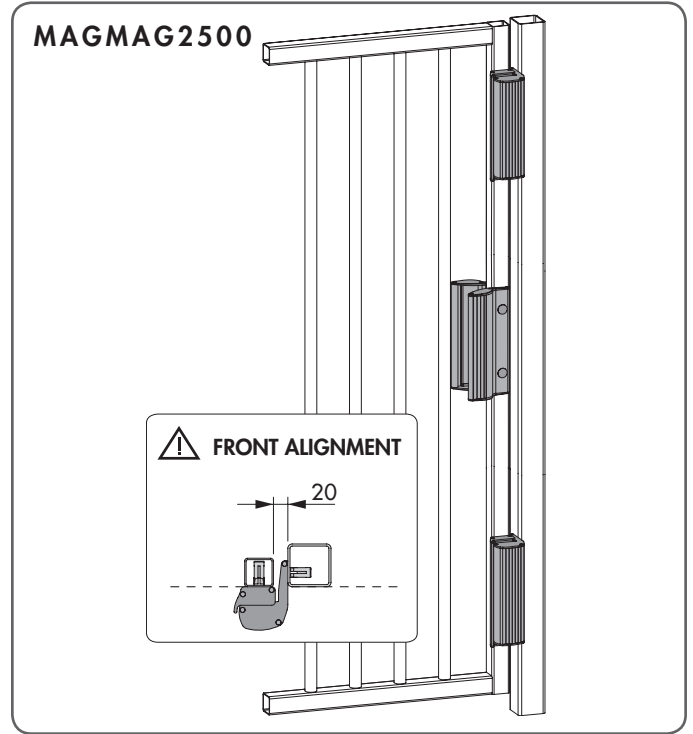
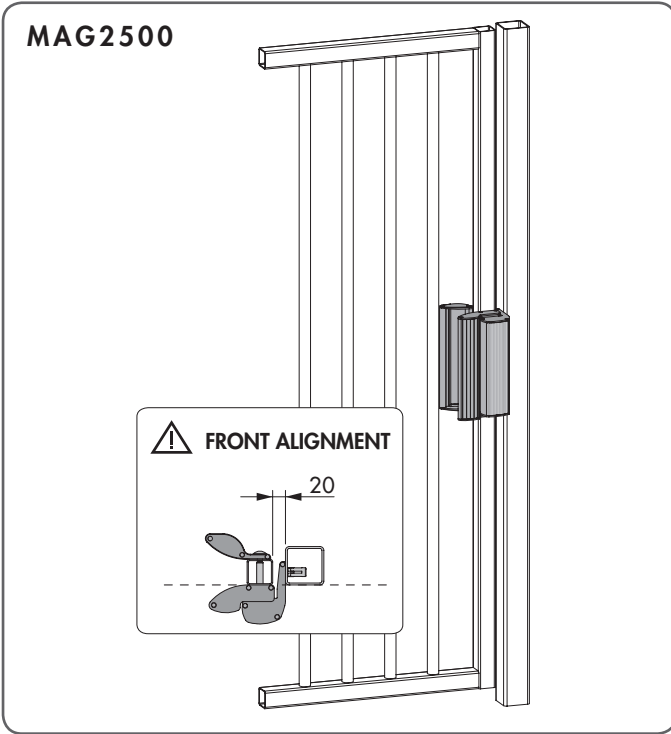


LOCINOX[®]

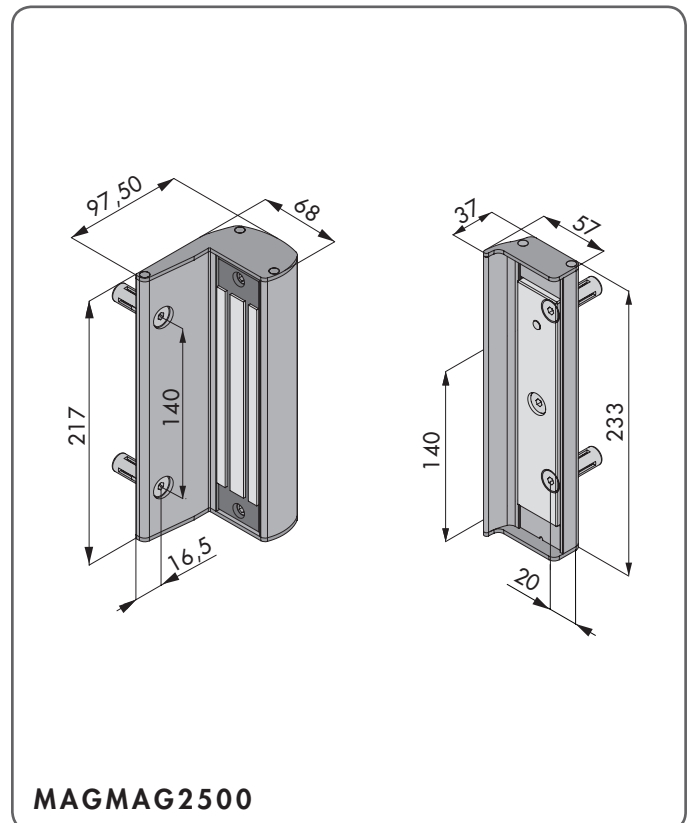
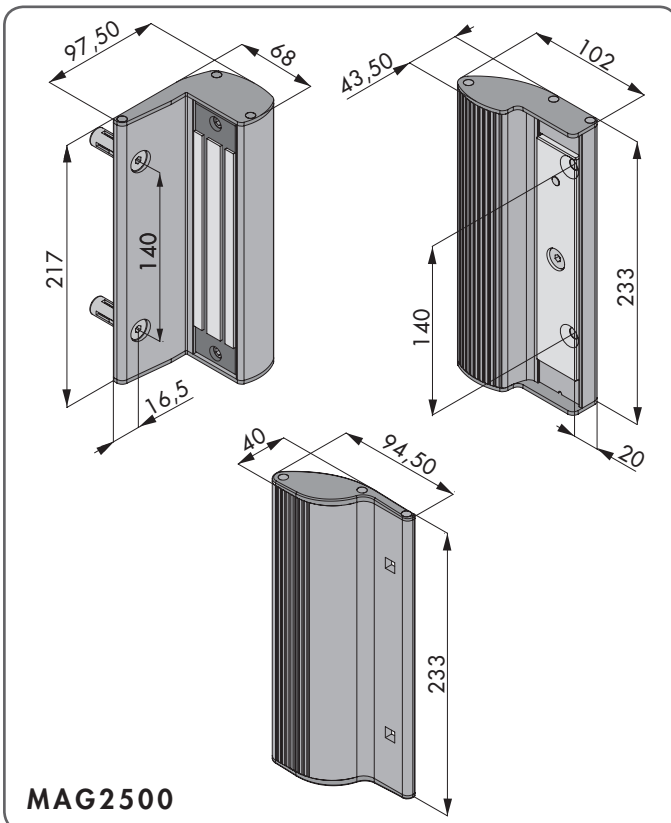
WWW.LOCINOX.COM

CODE: MAG2500 / MAGMAG2500

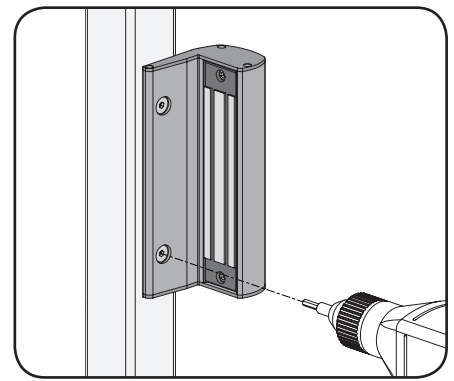
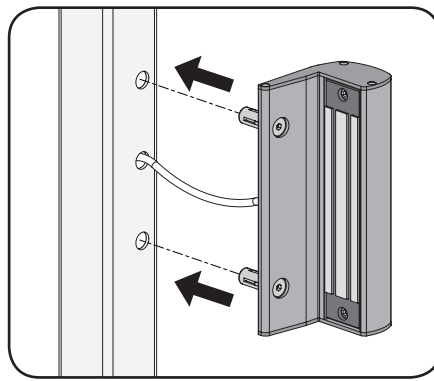
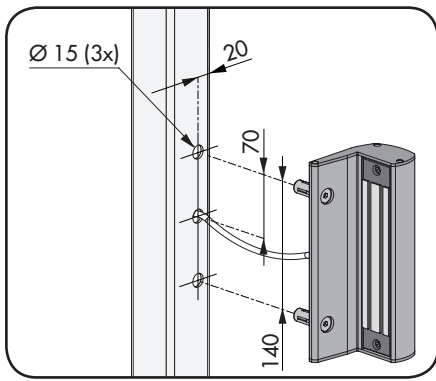
① OVERVIEW



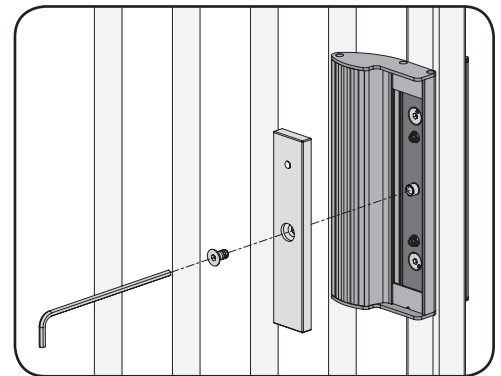
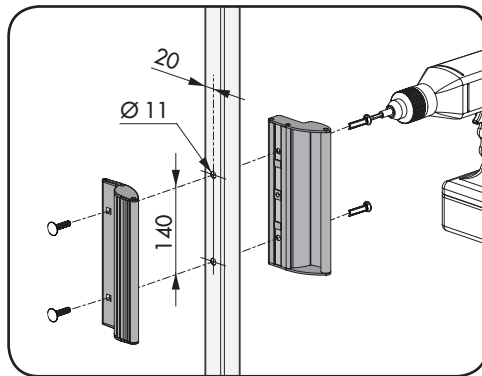
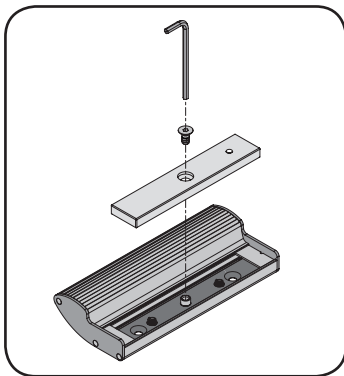
② PACKAGE CONTENT & DIMENSIONS



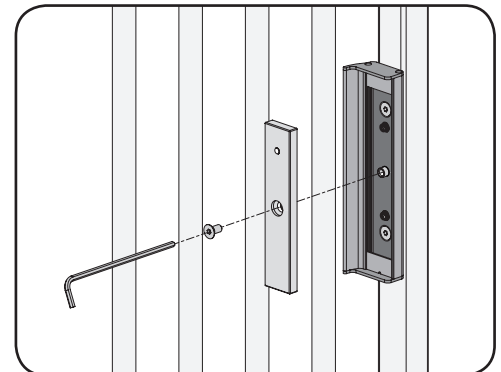
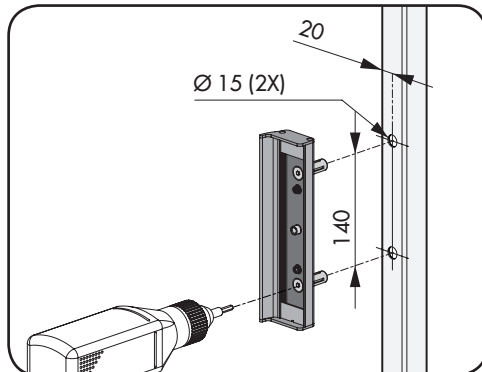
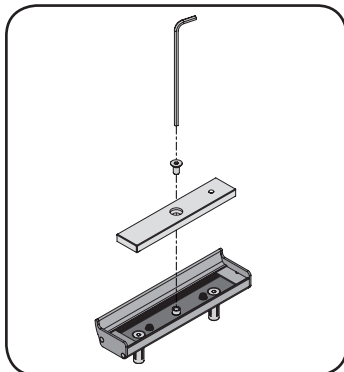
③ MAGNET POST PREPARATION AND MOUNTING



④a MAG2500 GATE PREPARATION AND MOUNTING



④b MAGMAG2500 GATE PREPARATION AND MOUNTING



⑤ 12 AND 24V DC - SITUATION

Voltage	12 V DC	Holding Force	250 Kg
Current	0,47 A		2500 N
Power	4,8 W		550 lbs

Voltage	24 V DC	Holding Force	250 Kg
Current	0,23 A		2500 N
Power	4,8 W		550 lbs

LOCINOX[®]
WWW.LOCINOX.COM

Doc. Nr.: MANU-000203



Locinox nv • Mannebeekstraat 21 • B-8790 Waregem • Belgium - Europe
Tel. +32 (0)56 77 27 66 • Fax. +32 (0)56 77 69 26 • E-mail: locinox@locinox.com

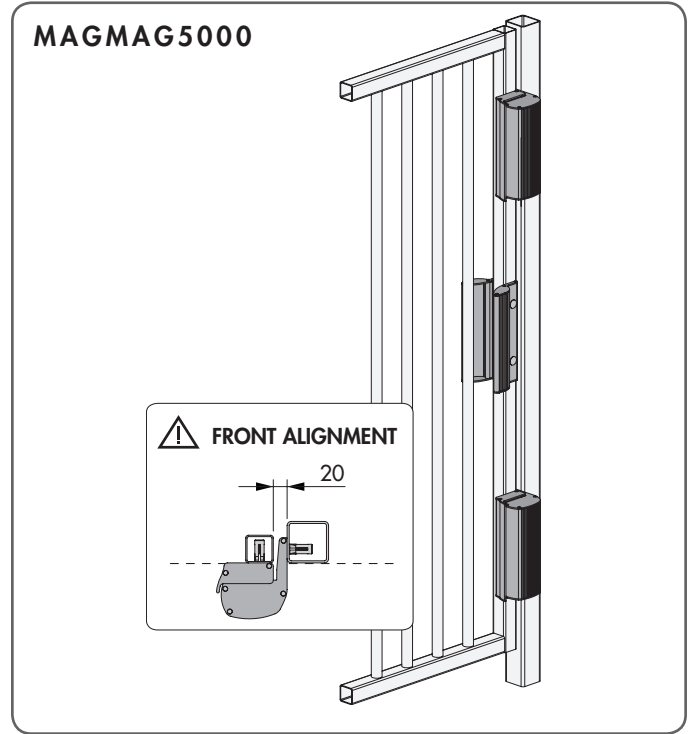
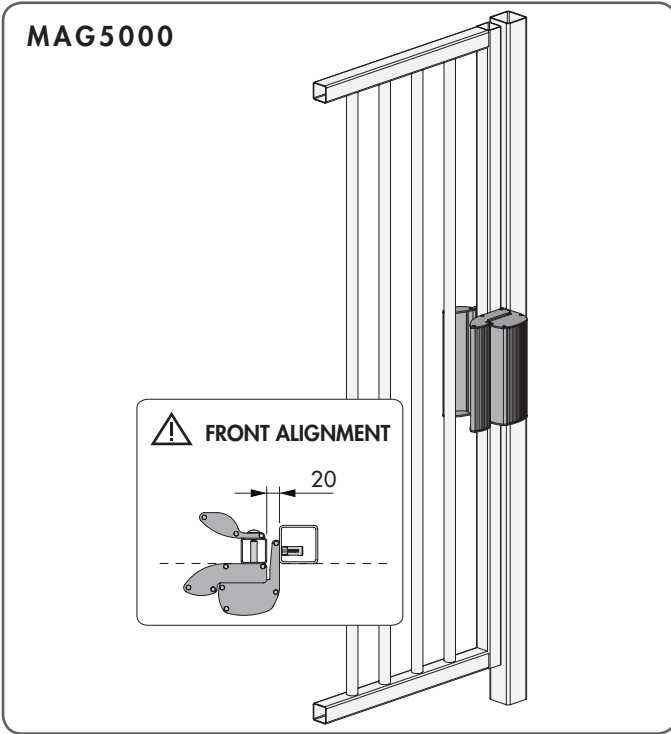
* M A N U - 0 0 0 2 0 3 *

LOCINOX®

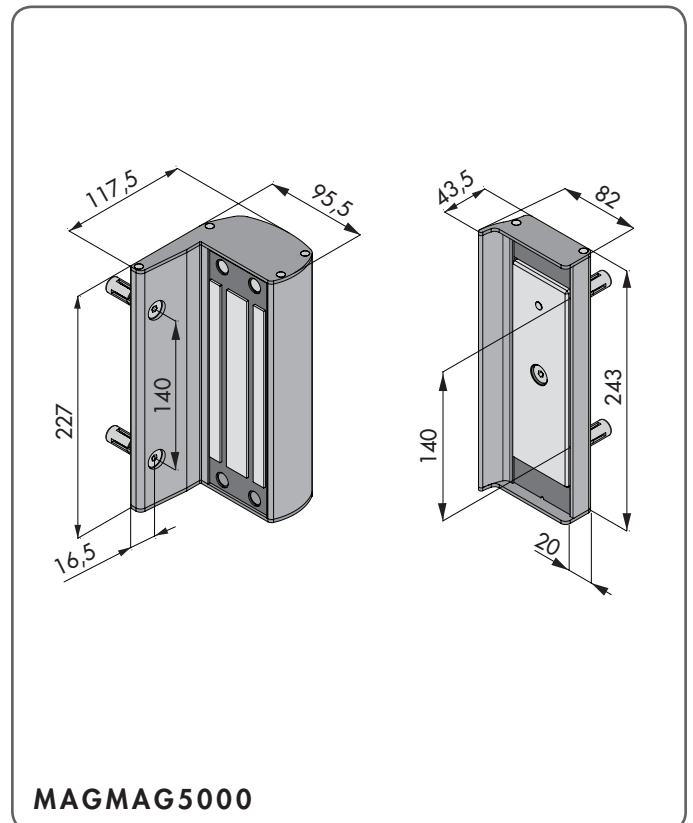
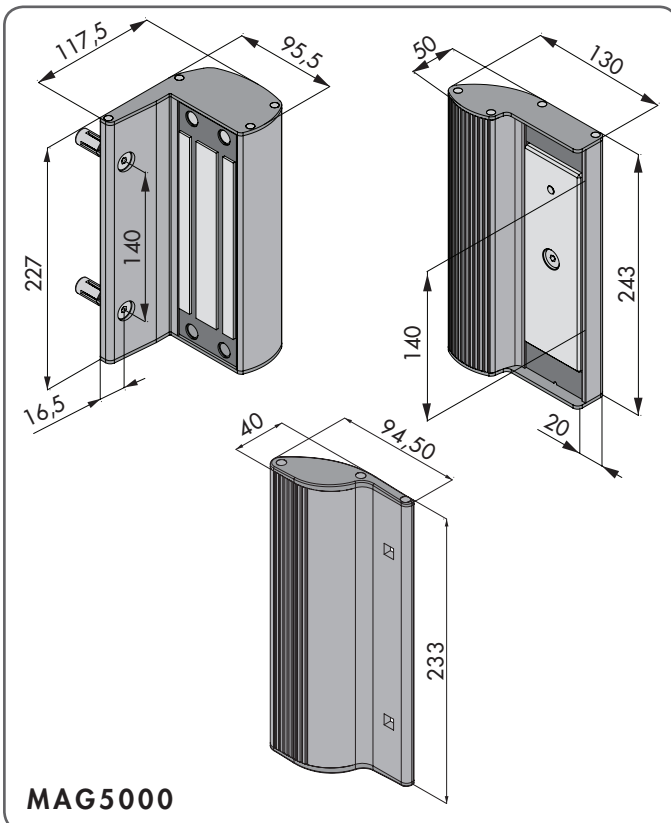
WWW.LOCINOX.COM

CODE: MAG5000 / MAGMAG5000

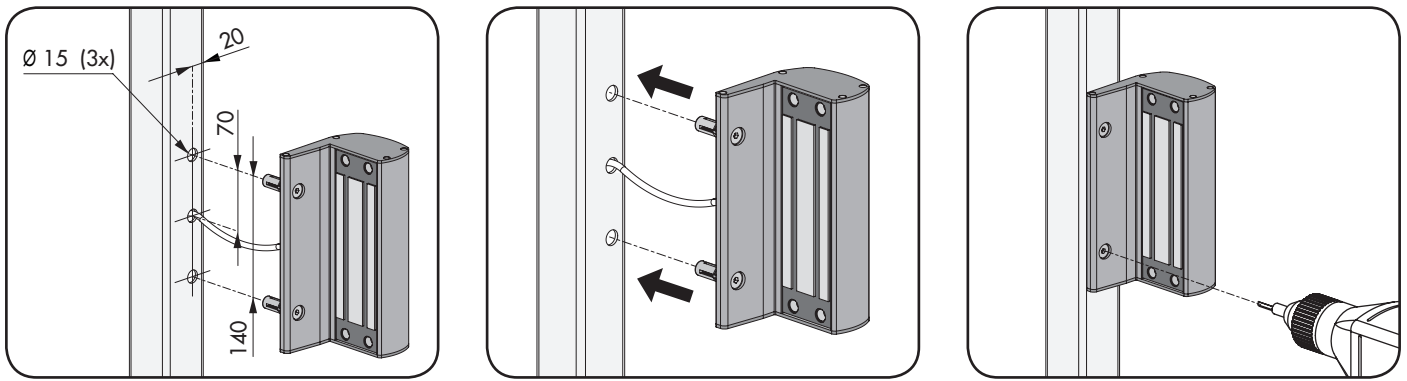
① OVERVIEW



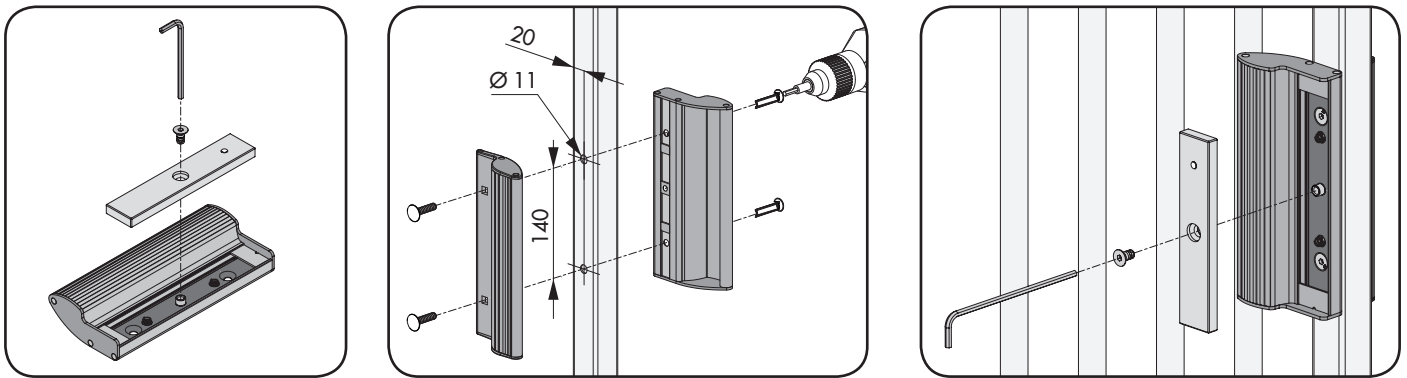
② PACKAGE CONTENT & DIMENSIONS



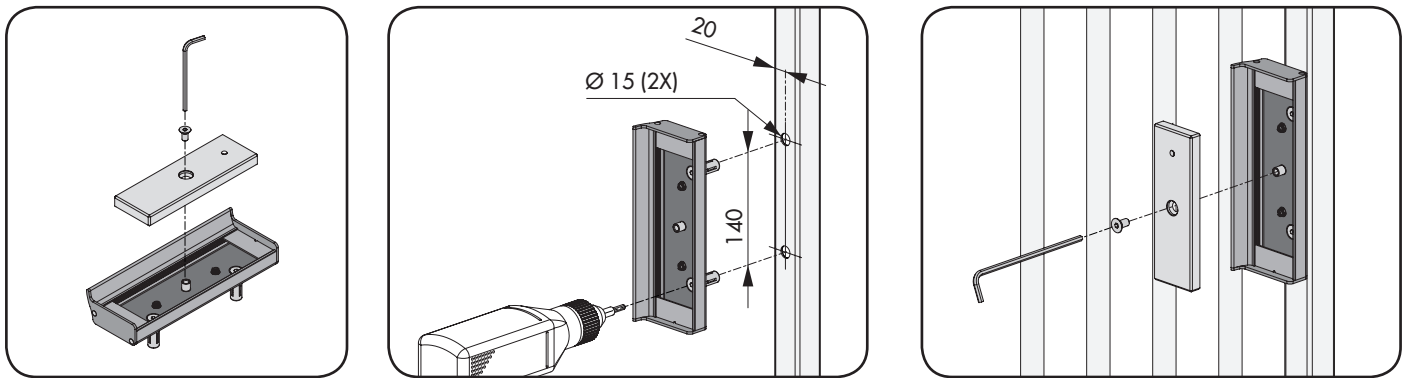
③ MAGNET POST PREPARATION AND MOUNTING



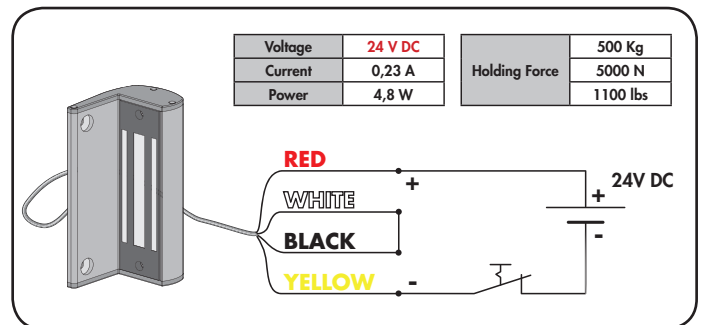
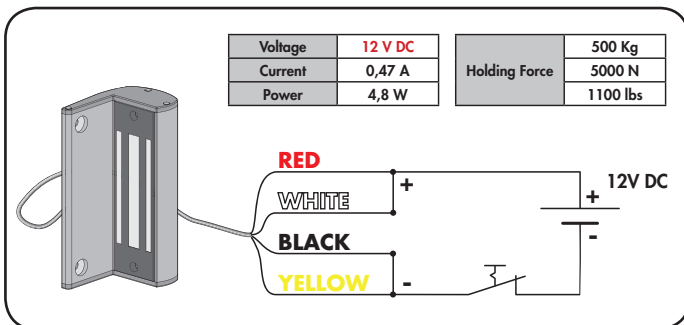
④a MAG5000 GATE PREPARATION AND MOUNTING



④b MAGMAG5000 GATE PREPARATION AND MOUNTING



⑦ 12 AND 24V DC - SITUATION



LOCINOX[®]
WWW.LOCINOX.COM

Doc. Nr.: MANU-000202



Locinox nv • Mannebeekstraat 21 • B-8790 Waregem • Belgium - Europe
Tel. +32 (0)56 77 27 66 • Fax. +32 (0)56 77 69 26 • E-mail: locinox@locinox.com