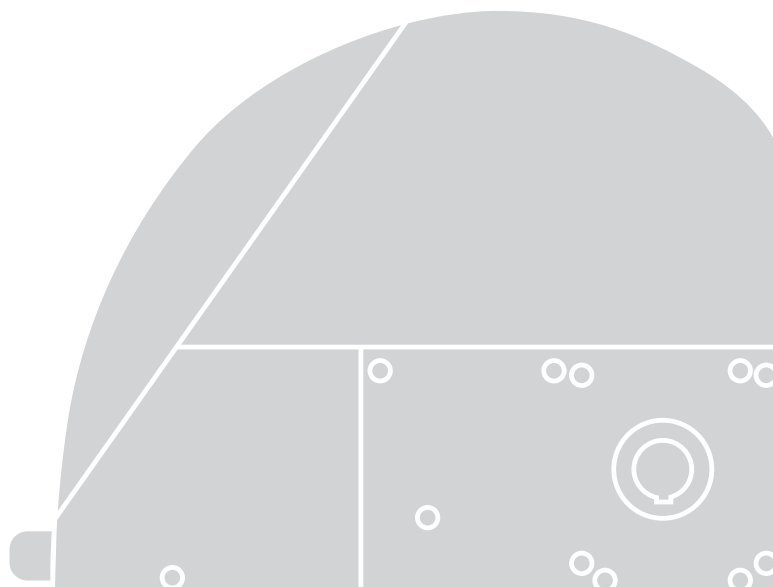


Sumo

Garage door opener

CE



EN - Instructions and warnings for installation and use

IT - Istruzioni ed avvertenze per l'installazione e l'uso

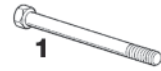
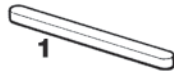
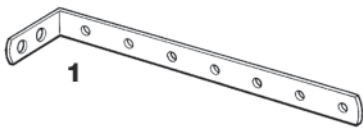
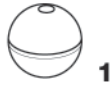
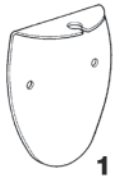
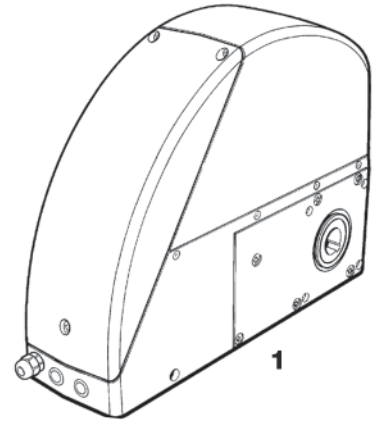
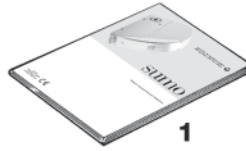
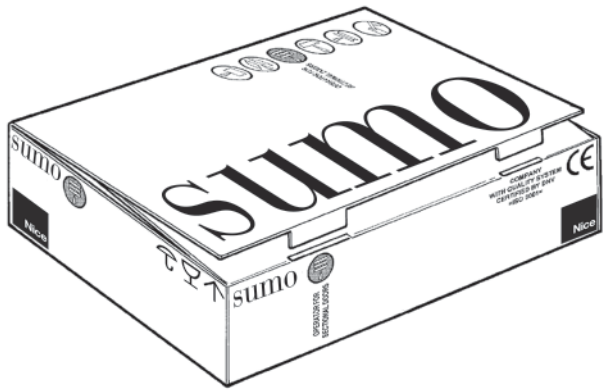
FR - Instructions et avertissements pour l'installation et l'utilisation

ES - Instrucciones y advertencias para la instalación y el uso

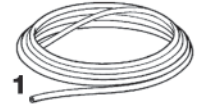
DE - Installierungs-und Gebrauchsanleitungen und Hinweise

PL - Instrukcje i ostrzeżenia do instalacji i użytkowania

Nice



Versione SU2010



1



2



2



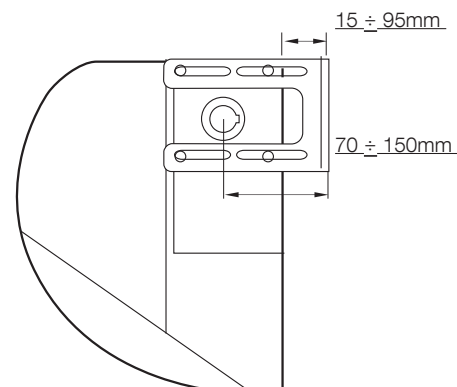
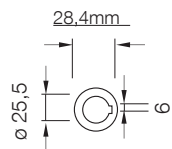
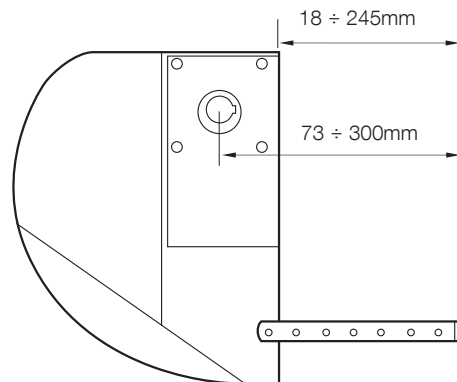
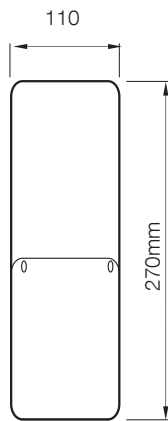
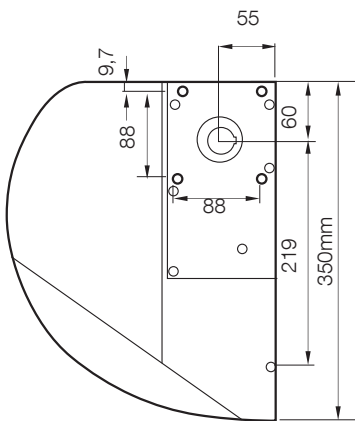
1



1



1



2

Sumo

Table of contents:		page		page	
1	Product description	2	4	Manual manoeuvre or release	5
2	Installation	2	5	Testing	5
2.1	Preliminary checks	2	6	Maintenance	5
2.2	Typical system layout	2	6.1	Disposal	5
2.3	Installing Sumo (standard procedure)	3	7	Technical specifications	6
2.4	Installing Sumo with vertical chain	3		Instructions and warnings for users of the SUMO gear motor	7
2.5	Installing Sumo with horizontal chain	3			
2.6	Electrical connections	4			
3	Installing the release device	4			

Important information

Congratulations on choosing this Nice product. Please read this handbook carefully.

To make these instructions easier to follow, we have, wherever possible, put them in the order in which they will be carried out during the various system installation phases. Please read these instructions and the attached "Warnings for fitters" file carefully before installing the product as they contain important information concerning safety, installation, use and maintenance.

Anything not expressly specified in these instructions is forbidden.

Operations not indicated in these instructions may cause damage to the product, people and property.

Nice declines all liability for badly built sectional doors or any deformations that may occur during use.

This product has been designed and produced for automating well-balanced doors that can be opened by hand; it must therefore be possible to completely open the door using a force of less than 300N (30kg) and stop it in any position; after it has been blocked it must neither rise or lower.

Do not install the product in explosive atmospheres.

1) Product description

SUMO is an electromechanical actuator for automating the movement of sectional doors and two-wing sliding doors (**fig. 3-11**). The cable outlet shaft makes it easy to connect the spring holder shaft to most of the sectional doors available on the market. As well as powering the direct current motor with encoder, the A924 control unit also offers precise torque and gear motor speed adjustment, exact position detection, gradual departure and closing, and obstacle detection. It also features a

maintenance LED which records the manoeuvres performed by the gear motor during its working life. The release device which disengages the motor from the gear motor can be activated from the ground.

2) Installation

2.1) Preliminary checks

Before proceeding with the installation of any powered system, check that the structure is suitable, that is, make sure it complies with current standards.

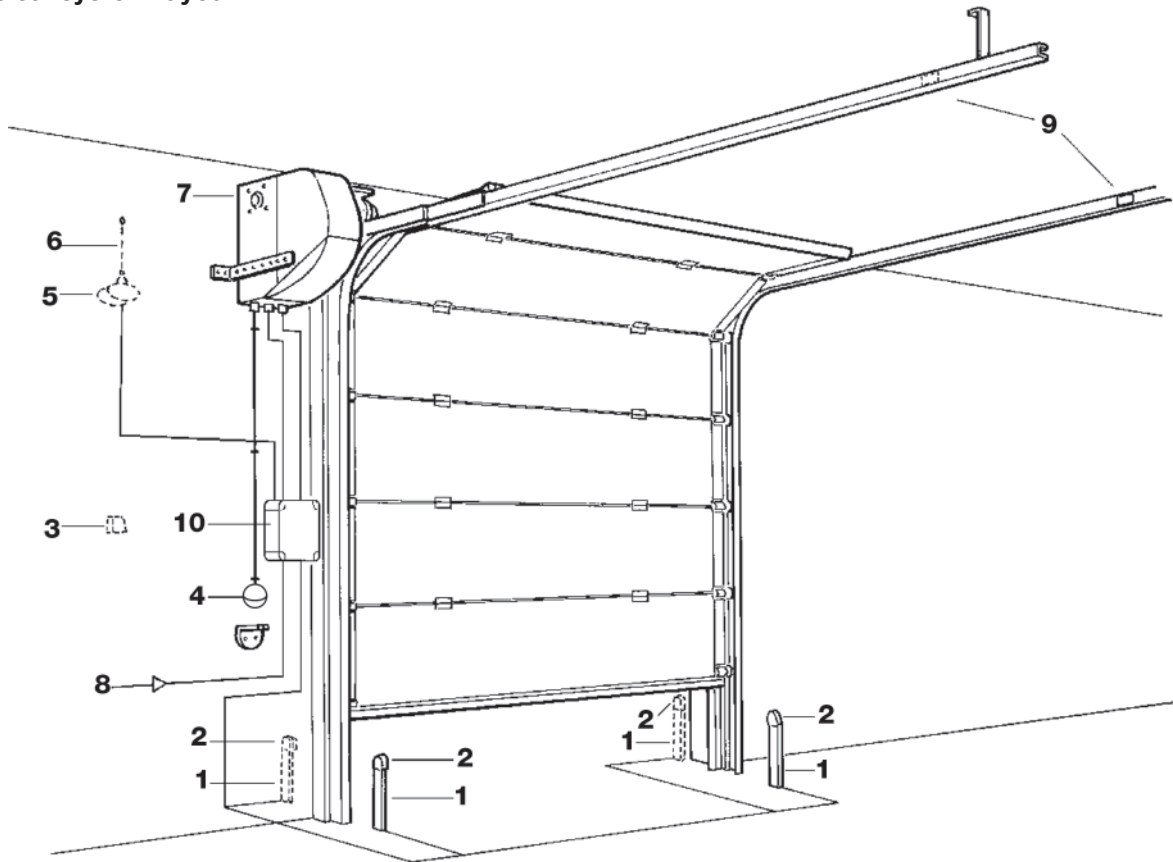
In particular, check that: the door does not stick when opening or closing; the door does not require a force of over 300N (30kg) to be moved; the door is well balanced, that is, if it stops in any position it remains motionless; the door moves silently, smoothly and doesn't skid;

the area identified for fitting the gear motor ensures the release manoeuvre can be made easily and safely; please remember that SUMO must power a door (sectional or two-wing) which must be in good condition and safe; it cannot make up for defects caused by incorrect installation or bad maintenance.

the packaging is undamaged, please see **fig. 1**; referring to **fig. 2**, check that the fixing area is compatible with the size of the gear motor.

Fig. 3 shows a typical installation of the gear motor.

2.2) Typical system layout



- | | | | |
|----|------------------------------|-----|-------------------------|
| 1. | Column | 6. | Aerial |
| 2. | Photocell | 7. | SUMO |
| 3. | Key switch or digital keypad | 8. | Power line |
| 4. | Release knob | 9. | Mechanical travel stops |
| 5. | Flashing light | 10. | A924 control unit |

2.3) Installing SUMO (standard procedure)*

1. Use a Philips screwdriver to unscrew the 3 screws of the mobile cover and remove it (fig. 4).
2. Thread the wire through the cable holder (fig. 5).
3. Knock out the two aluminium plates and insert the two cable holders (21) (fig. 6).
- 4a. Lower the release lever with one hand (5).
- 4b. Block the lever with the bolt (14). (fig. 7).
5. After identifying on which side the gear motor must be installed, proceeding as indicated in the preliminary checks, insert SUMO in the spring holder shaft so that the two grooves coincide. Insert the tab (31) leaving it projecting from SUMO sufficiently far for it to be blocked with the clamp (not supplied) (fig. 8).
6. Rest the fixing bracket (41) against the wall and find the best hole for keeping SUMO parallel with the wall. Fix the bracket to SUMO with a screw (54) (fig. 9).
7. Drill holes in the wall over the holes of the bracket and fix it to the wall (for this operation, read the following fixing tips).
8. Hold the release lever with one hand, open the bolt and move it to the initial position.

* for the SU2010 version, please read chap. 3 "Installing the release device".

⚠ Fixing tips (fig. 9a)

Fixing to steel:

If the bracket must be fixed to a steel bar use an M8 6.8 or M8 A2-50 bolt.

Fixing to concrete:

M8 HILTI HST-R-M8 expansion screw

h: 100mm (minimum wall thickness)

h1: 55mm (depth of hole)

Tinst: 25Nm (tightening torque)

hd: 9mm (depth of through hole)

Sw: 13mm (type of wrench)

If the wall is different from the above descriptions (masonry, wood, plastic, etc.), the fitter must choose the most suitable fixing method bearing in mind that the fixing system must withstand a traction force of 1000N (100kg).

2.4) Installing Sumo with vertical chain

Installation for special applications.

This installation system is required if:

- during the preliminary checks it was found that the size of the gear motor makes standard installation impossible
- during the preliminary checks it was found that the release manoeuvre could not be performed safely and easily;
- the level of transmitted torque is required to be increased with a further reduction. (Please consult the builder of the sectional door to discover if it has been designed to withstand the required torque).

NICE offers the following installation accessories:

CRA1 (shaft with pinion Z = 18)

CRA6 (gear Z = 36)

CRA7 (gear Z = 18)

CRA8 (wall-fixing bracket)

CRA2, CRA3, CRA4 (sufficient chain)

For a simple transmission of drive (Ratio 1:1) use: CRA1-CRA7

To reduce drive (Ratio 1:2) use: CRA1-CRA7

Please see **fig. 10** for an example of installation.

- Keep the chain loose slack before fixing SUMO to the wall, otherwise after fixing the cable may be too taut.
- After fixing the brackets to the wall, the slots allow the position of SUMO to be adjusted in order to ensure the chain is fairly taut. Tighten the screws to complete fixing.
- Make that the pinion and the gear remain at the same level
- The chain must be at least 2.4m from the ground and always positioned so that it cannot be reached by people's arms; if this is not possible, protect it with a safety guard.

⚠ Make sure that the shaft to which the gear must be splined is sufficiently rigid, that is, when subjected to a load of 4000N (400kg) it does not bend more than 2mm.

Otherwise, suitably strengthen it

2.5) Installing Sumo with horizontal chain

Installation on two-leaf sliding doors

Fig. 11 shows an installation example for driving two sliding wing.

NICE offers the following installation accessories:

CRA1 (shaft with pinion Z = 18)

CRA5 (chain tightening device)

CRA8 (wall-fixing bracket)

CRA2, CRA3, CRA4 (sufficient chain)

Please refer to the previous paragraph for installation instructions.

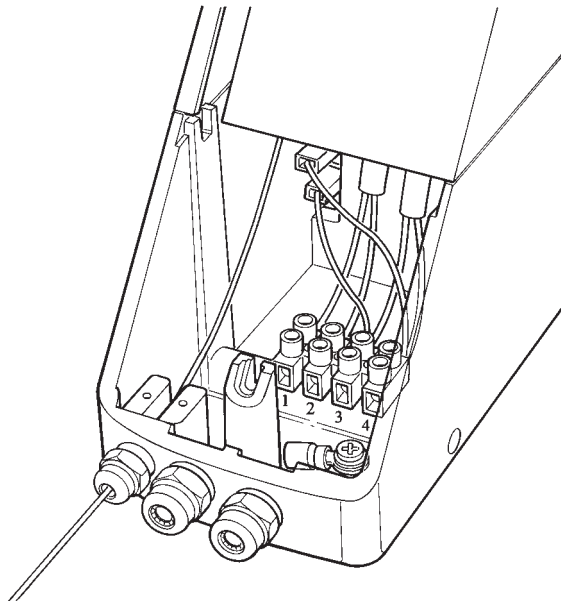
2.6) Electrical connections

⚠ The power unit must not be powered during this operation.

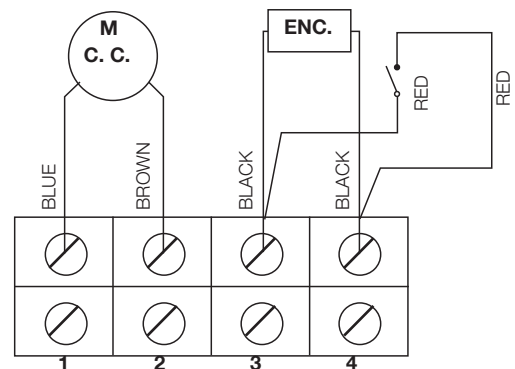
Thread the power cable and the encoder cable respectively through the central and the right-hand cable holders. Connect the three-pole power cable (3x2.5)* to terminals 1 – 2, keeping the earth wire insulated. Connect the two-wire cable (2x0.75) to terminals 3 – 4 (encoder).

Tighten the cable holder to prevent the cables from being torn from the terminal board. (Please consult **figs. 12-12a**) Close SUMO by screwing up the 3 screws of the cover with a Philips screwdriver.

*If the cable is longer than 10m, use a cross-section of 4mm.



12



12a

3) Installing the release device

Installing the release device for model SU2000

Unwind the cord (max. L 6.5m) along the wall and thread it through any eyebolts (not supplied). At a distance of 80mm from the end of the cord, drill holes and fix the knob support bracket (42) for releasing from the ground to the wall (**Fig. 13**).

Installing the manual release device for model SU2010

Installation of the release system should be divided into two phases.

The first phase can be done on the ground while the second phase can be done after fitting the automated system.

Procedure:

Phase 1:

1. Remove a terminal cap from the sheath;
2. Use a Philips screwdriver to unscrew the 3 screws (47-48) of the cover (3) and remove it;
3. Lower the release lever (5) and block it with the bolt (14);
4. Unscrew the casing of PG7 (22) insert the end of the sheath without the cap as far as it can go
5. Insert the metal cable into the sheath from the cap side;
6. Tighten the sheath clamp (7) with the relative screws (46).

(**Fig. 14**).

7. Insert the steel cable into the slot furthest away from the release lever (5). Block the end of the cable with the relative fixing clamp making sure that it doesn't come out even when it is tugged hard (**Fig. 15**);

Phase 2:

1. Open the bolt (14) and move the release handle (5) to the initial position;
2. close the cover (3);
3. unwind the sheath (max. L 6.5m) along the wall making sure to keep it straight so that the metal cable can slide easily inside the sheath;
4. insert the clamp (69) into the metal cable;
5. connect the release knob (43) to the metal cable, remove any excess if necessary;
6. adjust the fixing height of the clamp and release (**fig. 16a**).
Adjust the position of the clamp if necessary until SUMO is released when the knob is moved to position 1.

4) Manual manoeuvre or release

Models SU2000 – SU2010

Pull the knob downwards to position 1.
Move the door by hand. (Figs. 16 - 16a)

The release device must only work when the door is stopped.
To programme and adjust anti-squash torque, please see the instructions of the A924 control unit.

5) Testing

The whole system must be tested by qualified and expert staff who must perform the tests required, according to the level of risk.

To test SUMO, proceed as follows:

- close the door;
- disconnect the power supply from the control unit;
- release the gear motor;
- check that the slide way is clean and free from debris;
- completely open the door manually making sure to exercise a force always less than 300N (30kg);
- check that the door does not stick when moving;
- check that when the sectional door is stopped at any point it remains motionless;
- check that the safety system and mechanical stops are in good condition;
- check that the screw connections are perfectly tight;
- check, where present, that the chain is taut and that it slides well, lubricate if necessary.
- after the above checks, block the gear motor and power the control unit.
- adjust (from the electronic control unit) the force of the actuator so that it can move just the door;
- measure the force of impact as required by EN12445 and EN1245353 standards.

6) Maintenance

The A924 control unit features a maintenance LED (see the instructions handbook for the A924 electrical power unit for further information). This signals when routine maintenance operations are required. Not only does regular maintenance offer longer life, but also correct and safe system operation.

Maintenance may only be performed by qualified staff.
Maintenance involves repeating the test procedure.

6.1) Disposal

SUMO comprises various types of materials which must be disposed of in compliance with the laws of the country of installation.

There are no particular dangers or risks deriving from demolition of the system.
If waste sorting is required, the components should be grouped by type of material (electrical, aluminium, plastic, etc.).

7) Technical specifications

SUMO 2000 - 2000V - 2000VV

Irreversible 24Vdc gear motor with encoder and local and cable release devices.

SUMO 2010

Irreversible 24Vdc gear motor with encoder, local and cable release devices and sheath.

		SU2000	SU2010	SU2000V	SU2000VV
Power input	(Vdc)	15 ÷ 36			
Motor absorption	(Adc)	13			
Absorbed power	(W)	500			
Protection level	(IP)	44	54	44	
Torque	(Nm)	120		82	46
Speed	(rpm)	7.5 ÷ 16 (6)*		11 ÷ 23.5 (9)*	19.5 ÷ 42 (15)*
Max. surface of door	(m2)	35		25	15
Operating temp.	(°C Min/Max)	-20°÷50°			
Insulation class		B			
Work cycles	(%)	50			
Weight	(kg)	10.5			
Hole	(mm)	25.5			

* The value in brackets refers to the deceleration phase of the A924 control unit.



Sumo

Instructions and warnings for users of the SUMO gear motor

Congratulations on choosing a Nice product for your automation system!

Nice S.p.A. produces components for automating gates, doors, shutters and awnings: gear motors, control units, radio control units, flashing lights, photocells and accessories.

Nice only uses first rate materials and production processes and constantly develops innovative technical, aesthetic and ergonomic solutions in order to make its products as simple to use as possible: your fitter will certainly have chosen the most suitable article for your requirements from the large range of Nice products.

Nice however, is not the producer of your automated system as this is the result of a process of analysis, evaluation, choice of materials and installation performed by your fitter.

Each automated system is unique and only your fitter has the experience and professionalism required to create a system that is tailor-made to your requirements, featuring long-term safety and reliability, and, above all, professionally installed and compliant with current regulations.

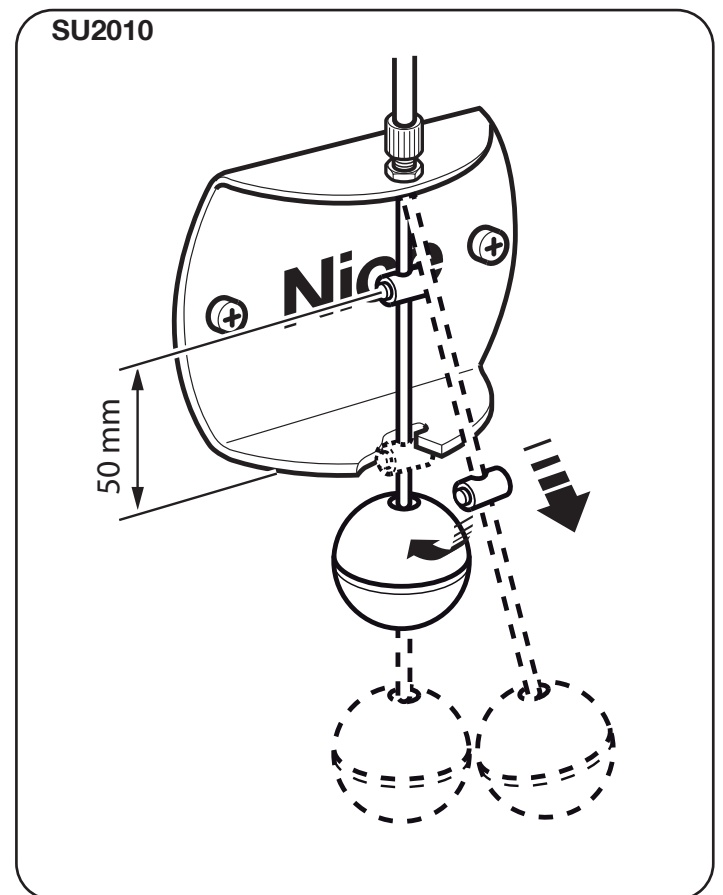
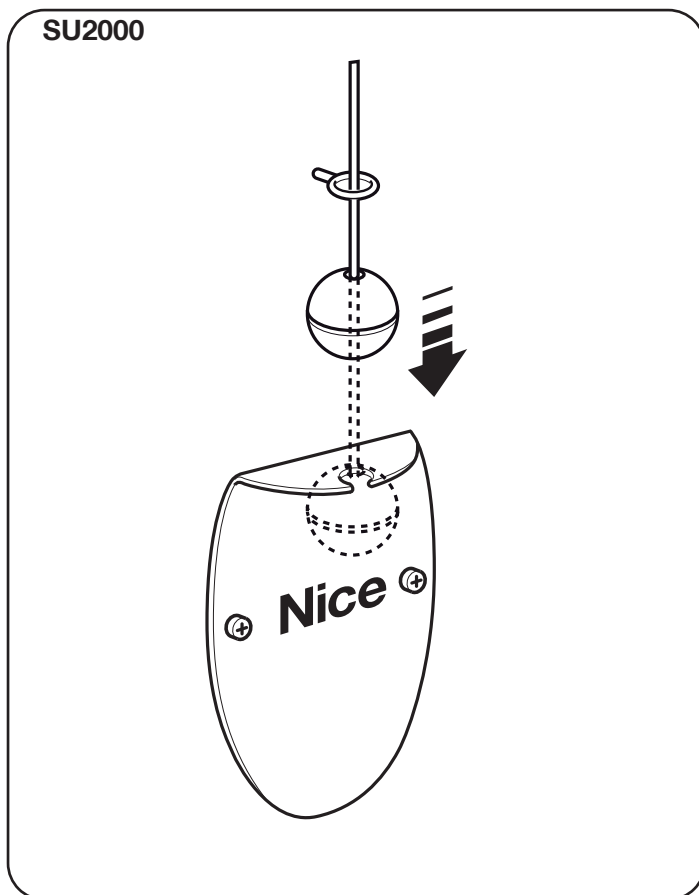
An automated system is handy to have as well as being a valid security system. Just a few, simple operations are required to ensure it lasts for years.

Even if your automated system satisfies regulatory safety levels, this does not eliminate "residue risks", that is, the possibility of dangerous situations being generated, usually due to irresponsible or incorrect use. For this reason we would like to give you some suggestions on how to avoid these risks:

- **Before using your automated system for the first time**, ask your fitter to explain how residue risks can arise and spend a few minutes reading the **instructions and warnings** for the user handbook that the fitter will have given you. Keep this manual for future use and, if you should ever sell your automated system, hand it over to the new owner.
- **Your automated system is a machine which carries out your commands to the letter**; irresponsible or incorrect use may cause it to become dangerous: do not move the automated system if animals or objects are in its working radius.

- **Children:** an automated system ensures a high level of safety as it always offers reliable and safe operation and its detection systems stop it from moving in the presence of people or objects. However, children should not be allowed to play near it. Do not let them accidentally use the system by leaving the remote control unit within their reach: **it is not a toy!**
- **Faults.** If you notice any abnormal behaviour, disconnect the system from the electricity supply immediately and perform the manual release operation. Do not attempt to make repairs yourself but call in your fitter: in the meantime the system can work as a non-automated gate once the gear motor has been released as described further on.
- **Maintenance.** Just like all machines, your automated system requires periodic maintenance to ensure it works as long as possible and in total safety. Agree on a routine maintenance plan with your fitter; Nice recommends a visit once every six months for normal residential use but this period can vary depending on how often the system is used. All controls, maintenance work or repairs may only be carried out by qualified personnel.
- Do not modify the system or its programming and adjustment parameters even if you think you can do it: your fitter is responsible for this.

- Final testing, routine maintenance and any repairs must be documented by the fitter and such documents kept by the owner of the system.
- **Disposal.** At the end of the life of the automatic system, make sure that it is demolished by qualified personnel and that the materials are recycled or disposed of according to local regulations.
- **In case of breakage** during a power failure. While waiting for your fitter to call (or power to come on again if the system does not have buffer batteries), the system can be used just like any other manual opening system. To do this, perform the manual release operation: this can be done by the user and Nice has made it as easy as possible, without the need for tools or physical effort.



1. Pull the knob downwards to position 1.
2. Move the door by hand.

⚠ The release device must only work when the door is stopped.

Important: if the radio control unit (if supplied) starts working badly after a time, or does not work at all, the batteries may be flat (They can last from several months to two/three years depending on the type). You can notice this from the fact that the transmission OK LED is faint, doesn't light up at all, or lights up for just a moment. Before contacting your fitter, try exchanging the battery with that of another transmitter you know that works: if this is the reason for the fault, just replace the battery with another one of the same kind.

Are you satisfied? If you wish to add a new automated system to your house, contact your fitter and we at Nice will provide the advice of a specialist, the most developed products on the market, leading-edge operativeness and maximum compatibility.

Thank you for reading these suggestions and we trust you are fully satisfied with your new system: please contact your fitter for all your current or future requirements.

Sumo

Indice:	pag.		page		
1	Descrizione del prodotto	10	4	Manovra manuale o sblocco	13
2	Installazione	10	5	Collaudo	13
2.1	Verifiche preliminari	10	6	Manutenzione	13
2.2	Impianto tipico	10	6.1	Manutenzione	13
2.3	Fissaggio Sumo (installazione classica)	11	7	Caratteristiche tecniche	14
2.4	Fissaggio Sumo con catena verticale	11		Istruzione ed avvertenze destinate all'utilizzatore del motoriduttore SUMO	15
2.5	Fissaggio Sumo con catena orizzontale	11			
2.6	Collegamenti elettrici	12			
3	Installazione dello sblocco	12			

Avvertenze importanti

Nice si congratula per la scelta di questo prodotto e vi invita a leggere con molta attenzione queste pagine.

Per rendere più semplice l'uso di queste istruzioni si è cercato, per quanto possibile, di impaginarle rispettando l'ordine con cui devono essere eseguite le varie fasi dell'installazione dell'impianto. È necessario leggere attentamente le istruzioni e il fascicolo allegato "Avvertenze per l'installatore" prima di procedere all'installazione, in quanto forniscono importanti indicazioni riguardanti la sicurezza, l'installazione, l'uso e la manutenzione.

Tutto quello che non è espressamente previsto in queste istruzioni non è permesso. Infatti usi non indicati nelle istruzioni potrebbero essere fonte di danni al prodotto e mettere in pericolo persone e cose.

Nice declina qualsiasi responsabilità dall'inosservanza della buona tecnica nella costruzione delle porte sezionali, nonché dalle deformazioni che potrebbero verificarsi durante l'uso. Questo prodotto è stato progettato e realizzato per automatizzare porte apribili manualmente e ben bilanciate, perciò, la porta deve potersi aprire per tutta la corsa con una forza inferiore a 300N (30kg) e fermata in qualsiasi posizione, azionato lo sblocco, non deve accennare a scendere o salire.

Non installare il prodotto in atmosfera esplosiva.

1) Descrizione del prodotto

SUMO è un attuatore elettromeccanico per l'automazione di porte sezionali e scorrevoli a due ante (**figg. 3-11**).

Grazie all'albero di uscita cavo permette un facile innesto con l'albero portamolle di gran parte dei sezionali in commercio. La centrale A924, oltre ad alimentare il motore in corrente continua dotato di encoder, permette una ottimale regolazione della coppia e della velocità del motoriduttore, un esatto rilievo delle quote, la partenza e la chiusura graduale, la rilevazione dell'ostacolo. Inoltre essa è dotata di una spia di manutenzione che

permette di registrare le manovre che il motoriduttore esegue durante tutta la sua vita.

Lo sblocco, azionabile da terra, disimpegna il motore dal corpo riduttore.

2) Installazione

2.1) Verifiche preliminari

Prima di procedere ad una qualsiasi motorizzazione verificare che la struttura sia idonea, in altre parole, conforme alle norme vigenti.

In particolare verificare che:

la porta non presenti punti d'attrito sia in chiusura sia in apertura; la movimentazione della porta non necessiti di una forza superiore a 300N (30kg);

la porta sia ben bilanciata, ossia, fermata in una qualsiasi posizione non accenni a riprendere il moto; la porta, nella sua corsa, sia silenziosa, regolare e non sbandi;

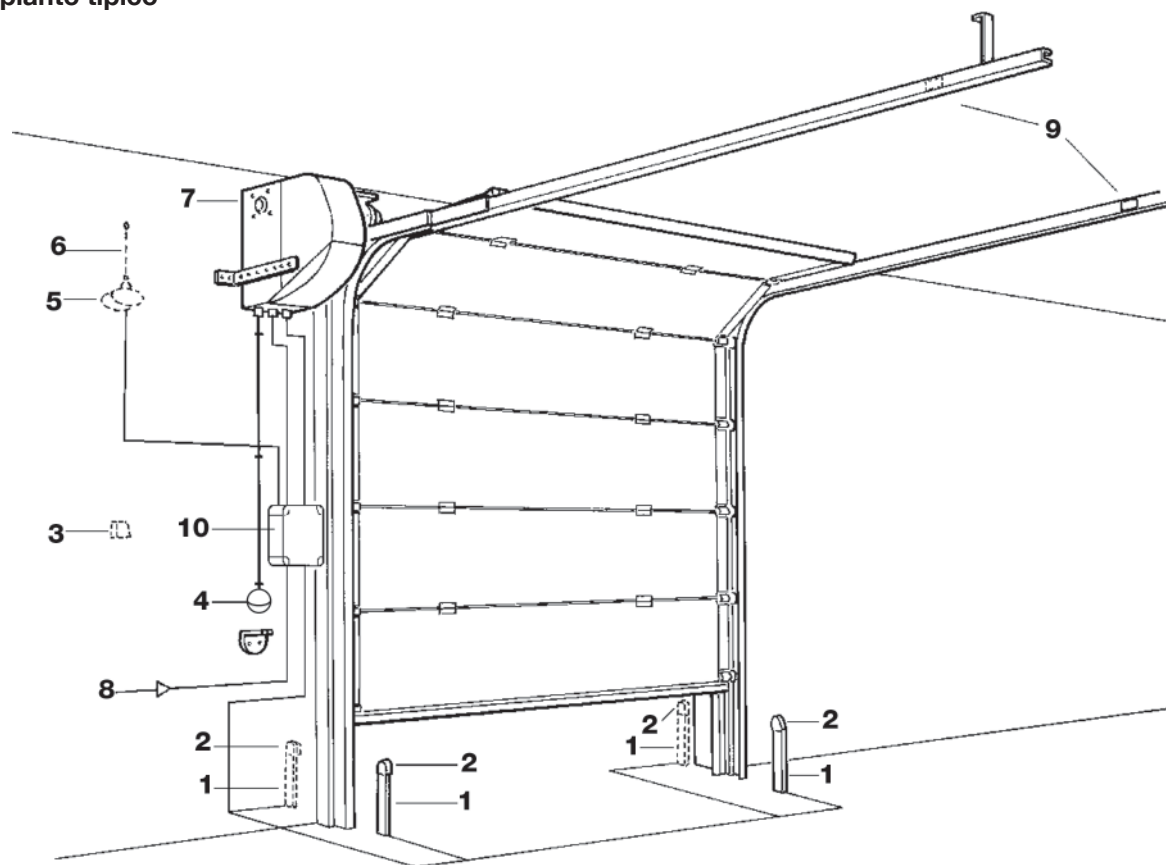
la zona individuata per il fissaggio del motoriduttore consenta di operare la manovra di sblocco con facilità e sicurezza;

si ricorda che il SUMO deve motorizzare una porta (sezionale o a due ante) di per sé efficiente e sicura e non sopprime a difetti causati da una sbagliata installazione, o da una cattiva manutenzione;

la confezione sia integra, facendo riferimento alla **fig. 1**; facendo riferimento alla **fig. 2** verificare che la zona di fissaggio sia compatibile con l'ingombro del motoriduttore.

La **fig. 3** riporta una tipica installazione del motoriduttore.

2.2) Impianto tipico



1. Colonnina
2. Fotocellula
3. Selettore a chiave o tastiera digitale
4. Pomello di sblocco
5. Lampeggiante

6. Antenna
7. SUMO
8. Linea di alimentazione
9. Arresti meccanici della corsa
10. Centrale A924

2.3) Fissaggio SUMO (installazione classica)*

1. Svitare con un cacciavite a croce le 3 viti del coperchio mobile e toglierlo (fig.4).
2. Far passare il filo attraverso il pressacavo (fig. 5).
3. Sfondare le due paretine in alluminio ed innestare i due pressacavi (21) (fig. 6).
- 4a. Abbassare con una mano la leva di sblocco (5).
- 4b. Bloccare la leva con il chiavistello (14). (fig. 7).
5. Dopo aver individuato il lato dove installare il motoriduttore seguendo quanto indicato nelle verifiche preliminari, inserire il SUMO nell'albero portamolle facendo coincidere le due scanalature. Innestare la linguetta (31) lasciandola sporgere dal SUMO lo spazio necessario per bloccarla con la fascietta (non in dotazione) (fig. 8).
6. Appoggiare alla parete la staffa di fissaggio (41) individuando il foro più adatto per mantenere il SUMO parallelo al muro.
Fissare la staffa al SUMO tramite una vite (54) (fig. 9).
7. Forare la parete in corrispondenza dei fori della staffa e fissarla al muro (per questa operazione leggere i consigli per il fissaggio di seguito riportati)
8. Tenere con una mano la leva di sblocco, aprire il chiavistello, e accompagnarla alla posizione iniziale.

* per la versione SU2010 leggere il cap. 3 "Installazione dello sblocco".

⚠ Consigli per il fissaggio (fig. 9a)

Fissaggio su acciaio:

Nel caso si debba fissare la staffa al profilo di acciaio è sufficiente un bullone M8 classe 6,8 o M8 A2-50.

Fissaggio su calcestruzzo:

Vite ad espansione M8 tipo HILTI HST-R-M8

h: 100mm (spessore minimo della parete)

h1: 55mm (profondità del foro)

Tinst: 25Nm (coppia di serraggio)

df: 9mm (diametro del foro passante)

Sw: 13mm (tipo chiave)

Nel caso la parete sia di tipo diverso da quelli sopra indicati (muratura, legno, plastica, ecc.), l'installatore deve valutare il tipo di fissaggio più opportuno sapendo che il sistema di fissaggio deve comunque sopportare uno sforzo a trazione pari a 1000N (100kg).

2.4) Fissaggio Sumo con catena verticale

Installazione per applicazioni particolari.

Questo fissaggio si rende necessario se:

- nelle verifiche preliminari si è riscontrato che gli ingombri del riduttore rendono impossibile una installazione classica
- nelle verifiche preliminari si è riscontrato che non si riesce ad accedere alla manovra di sblocco in modo facile e sicuro;
- si desidera aumentare la coppia trasmessa con una ulteriore riduzione. (Consultare il costruttore del sezionale per sapere se la porta è stata progettata per sopportare la coppia desiderata).

Per realizzare questa installazione NICE offre i seguenti accessori:

CRA1 (albero con pignone Z = 18)

CRA6 (corona Z = 36)

CRA7 (corona Z = 18)

CRA8 (staffe di fissaggio a muro)

CRA2, CRA3, CRA4 (catena a sufficienza)

Per un semplice rinvio del moto (Ratio 1:1) utilizzare: CRA1-CRA7

Per una riduzione del moto (Ratio 1:2) utilizzare: CRA1-CRA6

Consultare **fig. 10** per un esempio di installazione.

- Tenere la catena lasca prima di fissare il SUMO alla parete, altrimenti a fissaggio avvenuto la catena potrebbe risultare eccessivamente tesa.
- Una volta fissate le staffe alla parete, le asole permettono di regolare la posizione del SUMO in modo tale che la catena risulti leggermente tesa. Serrare le viti per completare il fissaggio.
- Assicurarsi che pignone e corona giacciono sullo stesso piano
- La catena deve essere ad almeno 2,4m dal suolo e comunque non raggiungibile dagli arti superiori, in caso contrario provvedere a proteggerla con un carter.

⚠ **Verificare che l'albero su cui si deve calettare la corona sia sufficientemente rigido a flessione, ovvero sottoposto ad un carico di 4000N (400kg) non si fletta più di 2mm. In caso contrario irrigidirla opportunamente**

2.5) Fissaggio Sumo con catena orizzontale

Installazione su porte scorrevoli a due ante

La **fig. 11** riporta un esempio di installazione per motorizzare a due ante scorrevoli.

Per realizzare questa installazione NICE offre i seguenti accessori:

CRA1 (albero con pignone Z = 18)

CRA5 (rinvio tendicatena)

CRA8 (staffe di fissaggio a muro)

CRA2, CRA3, CRA4 (catena a sufficienza)

Si faccia riferimento al paragrafo precedente per le cautele da adottare.

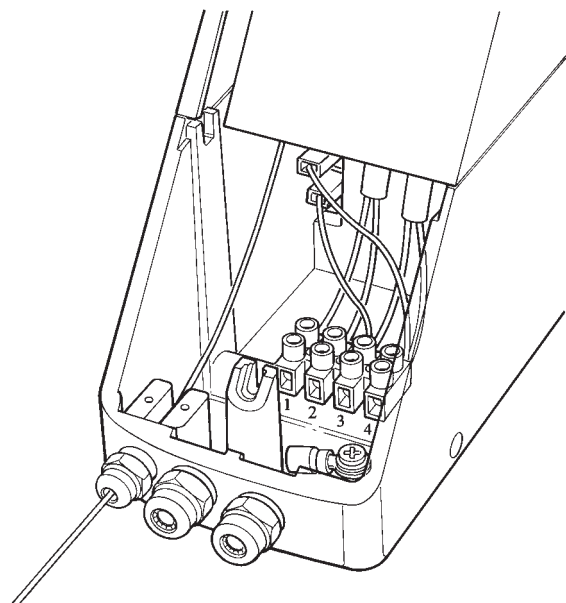
2.6) Collegamenti elettrici

⚠ Durante questa operazione, la centrale non deve essere alimentata.

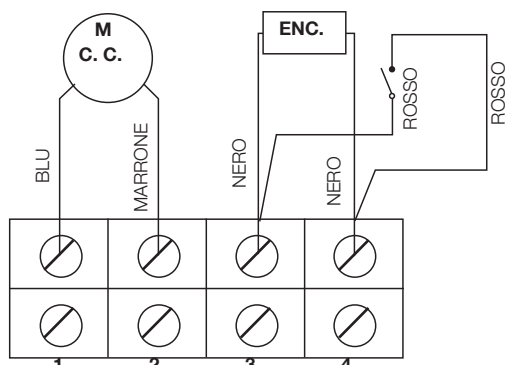
Infilare il cavo di alimentazione e il cavo encoder rispettivamente nel pressacavo centrale ed in quello destro. Collegare il cavo di alimentazione tripolare (3x2,5)* con le vie 1 – 2 con il capocorda isolato per il collegamento di terra. Collegare il cavo bipolare (2x0,75) con le vie 3 – 4 (encoder).

Stringere il pressacavo per impedire che i cavi si possano strappare dalla morsettiere. (Fare riferimento a figg. 12-12a) Chiudere il SUMO avvitando con un cacciavite a croce, le 3 viti del coperchio.

*Se il cavo supera i 10m, usare sezione 4mm².



12



12a

3) Installazione dello sblocco

Installazione dello sblocco per il modello SU2000

Srotolare lungo la parete il cordino (L max. 6,5m) facendolo passare, eventualmente, negli occhielli (non in dotazione). Ad una distanza di 80mm dall'estremità del cordino, forare e fissare al muro la staffa supporto pomello (42) per lo sblocco a terra. (Fig. 13)

Installazione dello sblocco manuale per il modello SU2010

Consigliamo di dividere in due fasi il montaggio del sistema di sblocco. Per praticità è meglio svolgere la prima fase a terra, la seconda dopo aver montato l'automatismo.

Procedura:

Fase n°1

1. Levare un cappuccio di estremità dalla guaina;
2. Svitare con un cacciavite a stella le 3 viti (47-48) che fissano il coperchio (3) e toglierlo;
3. Abbassare la leva di sblocco (5) e bloccarla con il chiavistello (14);
4. Svitare la cuffietta del PG7 (22) ed infilare la guaina, dal lato senza cappuccio, fino a raggiungere la sua battuta;
5. Infilare nella guaina, dal lato del cappuccio, la fune metallica;
6. Avvitare il blocco guaina (7) con le apposite viti (46). (Fig. 14)
7. Infilare il cavetto d'acciaio attraverso la feritoia più esterna della leva di sblocco (5). Bloccare con l'apposito morsetto di fissaggio l'estremità del cavo assicurandosi che esso non si sfilì anche dando un forte strappo (Fig. 15);

Fase n°2

1. Aprire il chiavistello (14) e accompagnare la maniglia di sblocco (5) alla posizione iniziale;
2. chiudere il coperchio (3);
3. srotolare la guaina (L max 6.5m) lungo la parete facendole assumere una traiettoria lineare affinché la fune metallica possa scorrere facilmente all'interno della guaina;
4. infilare il morsetto (69) nella fune metallica;
5. collegare il pomello di sblocco (43) alla fune metallica, se necessario togliere la parte eccedente;
6. regolare l'altezza di fissaggio del morsetto e sbloccare (fig. 16a). Eventualmente correggere la posizione del morsetto affinché il SUMO rimanga sbloccato quando il pomello si trova in posizione 1.

4) Manovra manuale o sblocco

Modelli SU2000 – SU2010

Tirare il pomello verso il basso, portandolo in posizione 1.
Agire manualmente sulla porta. (Figg. 16 - 16a).

Lo sblocco deve avvenire esclusivamente a porta ferma.
Per le operazioni di programmazione e regolazione della coppia antischiacciamento, vedere le istruzioni della centrale A924.

5) Collaudo

Il collaudo dell'intero impianto deve essere eseguito da personale esperto e qualificato che deve farsi carico delle prove richieste, in funzione del rischio presente.

Per il collaudo del SUMO si dovrà seguire questa procedura:

- chiudere la porta;
- togliere alimentazione alla centrale;
- sbloccare il motoriduttore;
- verificare che la corsia di scorrimento sia pulita e libera da detriti;
- aprire manualmente la porta per tutta la sua corsa assicurandosi di esercitare uno sforzo sempre inferiore a 300N (30kg);
- verificare che la porta durante il moto non subisca punti d'attrito;
- verificare che il sezionale fermato in qualsiasi punto e sbloccato, non accenni a scendere o salire;
- verificare che i sistemi di sicurezza e gli arresti meccanici siano in buono stato;
- verificare che i collegamenti a vite siano ben stretti;
- verificare, ove presente, la tensione della catena e il suo buon scorrimento e se necessario lubrificarla.
- terminate le verifiche ribloccare il motoriduttore e rialimentare la centrale.
- regolare (dalla centrale elettronica) la forza dell'attuatore in modo che riesca a muovere solo ed unicamente la porta.
- misurare la forza d'impatto come previsto dalla normativa EN12445 e EN12453.

6) Manutenzione

La centrale di comando A924 è provvista di una spia di manutenzione (vedi relativo manuale istruzioni centrale elettrica A924 per maggiori informazioni). Essa avverte che è necessario eseguire la manutenzione programmata dell'impianto. Una regolare manutenzione, non solo garantisce una maggiore vita, ma anche un corretto e sicuro funzionamento del sistema.

Solo personale qualificato può eseguire la manutenzione.

La manutenzione consiste nel ripetere la procedura di collaudo.

6.1) Smaltimento

SUMO è costituito da varie tipologie di materiali e l'eliminazione di questi va effettuata rispettando le norme vigenti nei singoli Paesi.
Nel caso di demolizione dell'automatismo non esistono particolari pericoli o rischi derivati dall'automazione stessa.

E' opportuno, in caso si desideri effettuare una raccolta differenziata, che i materiali vengano separati per tipologia (parti elettriche, alluminio, plastica, ecc.).

7) Caratteristiche tecniche

SUMO 2000 - 2000V - 2000VV

Motoriduttore Irreversibile 24Vdc con encoder, con sblocco locale e a fune.

SUMO 2010

Motoriduttore Irreversibile 24Vdc con encoder, con sblocco locale e con guaina.

		SU2000	SU2010	SU2000V	SU2000VV
Alimentazione	(Vdc)	15 ÷ 36			
Assorbimento motore	(Adc)	13			
Potenza assorbita	(W)	500			
Grado di protezione	(IP)	44	54	44	
Coppia	(Nm)	120		82	46
Velocità	(rpm)	7.5 ÷ 16 (6)*		11 ÷ 23.5 (9)*	19.5 ÷ 42 (15)*
Superficie max. portone	(m ²)	35		25	15
Temp. di esercizio	(°C Min/Max)	-20°÷50°			
Classe di isolamento		B			
Cicli di lavoro	(%)	50			
Peso	(kg)	10.5			
Foro	(mm)	25.5			

* Il valore tra parentesi si realizza durante il rallentamento con centrale A924.



Sumo

Istruzioni ed avvertenze destinate all'utilizzatore del motoriduttore SUMO

Complimenti per aver scelto per la vostra automazione un prodotto Nice!

Nice S.p.A. produce componenti per l'automazione di cancelli, porte, tapparelle e tende da sole: motoriduttori, centrali di comando, radiocomandi, lampeggianti, fotocellule e accessori.

Nice utilizza solo materiali e lavorazioni di qualità, e per vocazione ricerca soluzioni innovative che semplifichino al massimo l'utilizzo delle sue apparecchiature, curate nelle soluzioni tecniche, estetiche, ergonomiche: nella grande gamma Nice il vostro installatore avrà senz'altro scelto il prodotto più adatto alle vostre esigenze.

Nice non è però il produttore della vostra automazione, che è invece il risultato di un'opera di analisi, valutazione, scelta dei materiali, e realizzazione dell'impianto eseguita dal vostro installatore di fiducia.

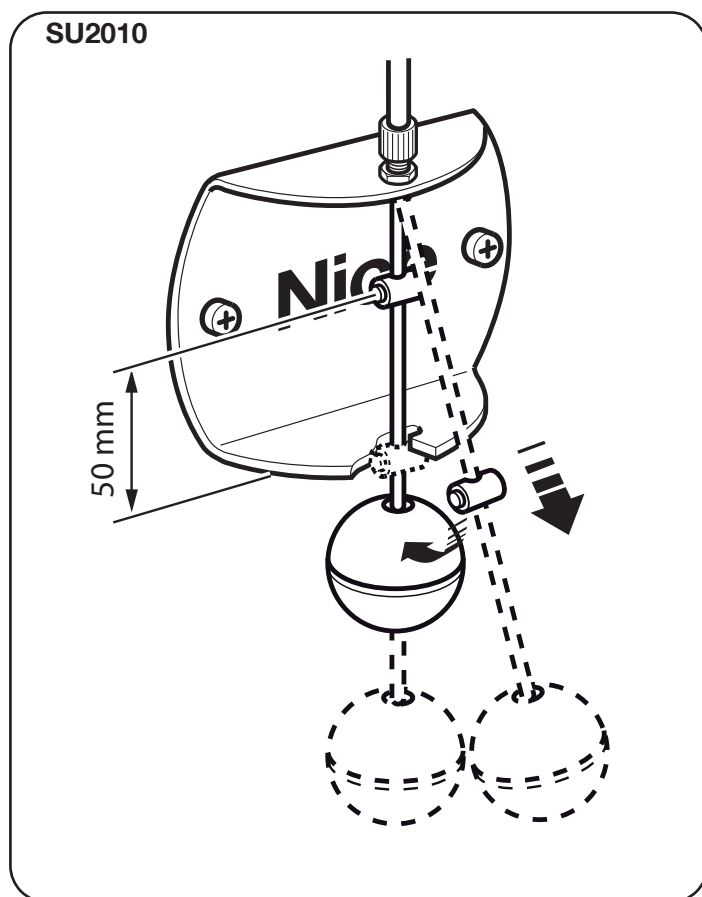
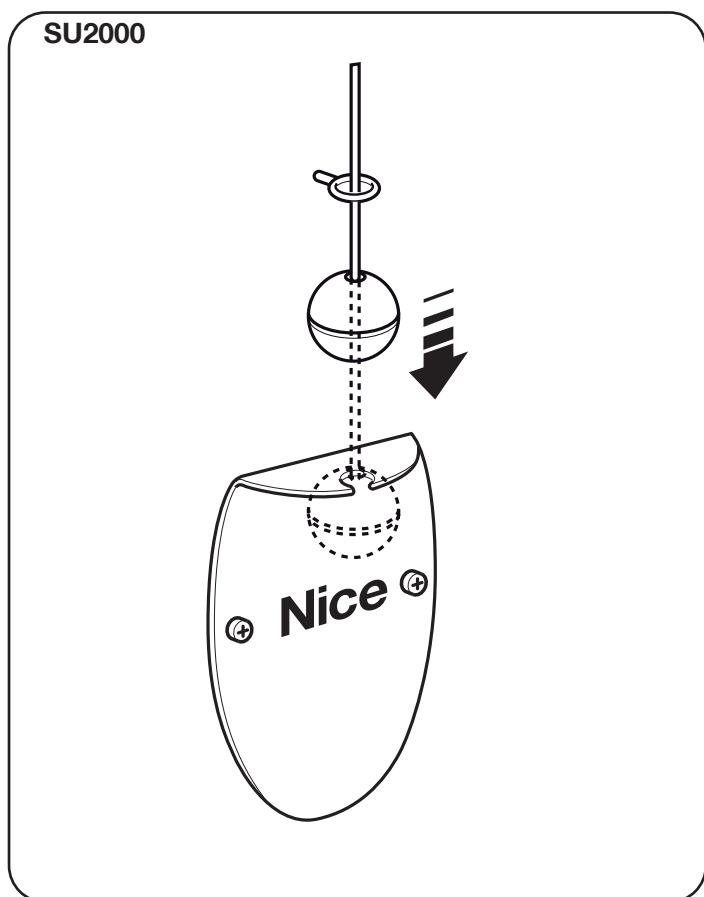
Ogni automazione è unica e solo il vostro installatore possiede l'esperienza e la professionalità necessarie ad eseguire un impianto secondo le vostre esigenze, sicuro ed affidabile nel tempo, e soprattutto a regola d'arte, rispondente cioè alle normative in vigore.

Un impianto di automazione è una bella comodità, oltre che un valido sistema di sicurezza e, con poche, semplici attenzioni, è destinato a durare negli anni.

Anche se l'automazione in vostro possesso soddisfa il livello di sicurezza richiesto dalle normative, questo non esclude l'esistenza di un "rischio residuo", cioè la possibilità che si possano generare situazioni di pericolo, solitamente dovute ad un utilizzo incosciente o addirittura errato, per questo motivo desideriamo darvi alcuni consigli sui comportamenti da seguire per evitare ogni inconveniente:

- **Prima di usare per la prima volta l'automazione**, fatevi spiegare dall'installatore l'origine dei rischi residui, e dedicate qualche minuto alla lettura del manuale di **istruzioni ed avvertenze per l'utilizzatore** consegnatovi dall'installatore. Conservate il manuale per ogni dubbio futuro e consegnatelo ad un eventuale nuovo proprietario dell'automazione.
- **La vostra automazione è un macchinario che esegue fedelmente i vostri comandi**; un uso incosciente ed improprio può farlo diventare pericoloso: non comandate il movimento dell'automazione se nel suo raggio di azione si trovano persone, animali o cose.

- **Bambini:** un impianto di automazione garantisce un alto grado di sicurezza, impedendo con i suoi sistemi di rilevazione il movimento in presenza di persone o cose, e garantendo un'attivazione sempre prevedibile e sicura. È comunque prudente vietare ai bambini di giocare in prossimità dell'automazione e per evitare attivazioni involontarie non lasciare i telecomandi alla loro portata: **non è un gioco!**
- **Anomalie.** Non appena notate qualunque comportamento anomalo da parte dell'automazione, togliete alimentazione elettrica all'impianto ed eseguite lo sblocco manuale. Non tentate da soli alcuna riparazione, ma richiedete l'intervento del vostro installatore di fiducia: nel frattempo l'impianto può funzionare come un'apertura non automatizzata, una volta sbloccato il motoriduttore come descritto più avanti.
- **Manutenzione.** Come ogni macchinario la vostra automazione ha bisogno di una manutenzione periodica affinché possa funzionare più a lungo possibile ed in completa sicurezza. Concordate con il vostro installatore un piano di manutenzione con frequenza periodica; Nice consiglia un intervento ogni 6 mesi per un normale utilizzo domestico, ma questo periodo può variare in funzione dell'intensità d'uso. Qualunque intervento di controllo, manutenzione o riparazione deve essere eseguito solo da personale qualificato.
- Anche se ritenete di saperlo fare, non modificate l'impianto ed i parametri di programmazione e di regolazione dell'automazione: la responsabilità è del vostro installatore.
- Il collaudo finale, le manutenzioni periodiche e le eventuali riparazioni devono essere documentate da chi le esegue e i documenti conservati dal proprietario dell'impianto.
- **Smaltimento.** Al termine della vita dell'automazione, assicuratevi che lo smantellamento sia eseguito da personale qualificato e che i materiali vengano riciclati o smaltiti secondo le norme valide a livello locale.
- **In caso di rotture o assenza di alimentazione.** Attendendo l'intervento del vostro installatore, (o il ritorno dell'energia elettrica se l'impianto non è dotato di batterie tampone), l'impianto può essere azionato come una qualunque apertura non automatizzata. Per fare ciò è necessario eseguire lo sblocco manuale: questa operazione, che è l'unica che può essere eseguita dall'utilizzatore dell'automazione, è particolarmente curata da Nice per assicurarvi sempre la massima facilità di utilizzo, senza uso di attrezzi o necessità di sforzo fisico.



1. Tirare il pomello verso il basso, portandolo in posizione 1.
2. Agire manualmente sulla porta.

⚠ Lo sblocco deve avvenire esclusivamente a porta ferma.

Importante: se il vostro impianto è dotato di un radiocomando che dopo qualche tempo vi sembra funzionare peggio, oppure non funzionare affatto, potrebbe semplicemente dipendere dall'esaurimento della pila (a seconda del tipo, possono trascorrere da diversi mesi fino a due/tre anni). Ve ne potete accorgere dal fatto che la spia di conferma della trasmissione è fioca, non si accende affatto, oppure si accende solo per un breve istante. Prima di rivolgervi all'installatore provate a scambiare la pila con quella di un altro trasmettitore eventualmente funzionante: se questa fosse la causa dell'anomalia, sarà sufficiente sostituire la pila con altra dello stesso tipo.

Siete soddisfatti? Nel caso voleste aggiungere nella vostra casa un nuovo impianto di automazione, rivolgendovi allo stesso installatore e a Nice vi garantirete, oltre che la consulenza di uno specialista e i prodotti più evoluti del mercato, il migliore funzionamento e la massima compatibilità delle automazioni.

Vi ringraziamo per aver letto queste raccomandazioni, e vi auguriamo la massima soddisfazione dal vostro nuovo impianto: per ogni esigenza presente o futura rivolgetevi con fiducia al vostro installatore.

Sumo

Table des matières:

	page		page		
1	Description du produit	18	4	Manceuvre manuelle ou débrayage	21
2	Installation	18	5	Essai de fonctionnement	21
2.1	Contrôles préliminaires	18	6	Maintenance	21
2.2	Installation typique	18	6.1	Mise au rebut	21
2.3	Fixation Sumo (installation classique)	19	7	Caractéristiques techniques	22
2.4	Fixation Sumo avec chaîne verticale	19		Instructions et recommandations destinées à l'utilisateur de l'opérateur SUMO	23
2.5	Fixation Sumo avec chaîne horizontale	19			
2.6	Connexions électriques	20			
3	Installation du débrayage	20			

FR

Recommandations importantes

Nice vous félicite pour avoir choisi ce produit et vous invite à lire très attentivement ces pages.

Pour faciliter la compréhension de ces instructions, nous avons tenté, dans la mesure du possible, de les présenter en respectant l'ordre dans lequel vous devez exécuter les différentes phases d'installation de l'automatisme.

Il faut lire attentivement les instructions et le fascicule joint "Recommandations pour l'installateur" avant de procéder à l'installation car ils fournissent des indications importantes concernant la sécurité, l'installation, l'utilisation et la maintenance de l'automatisme.

Tout ce qui n'est pas expressément prévu dans ces instructions n'est pas autorisé. En effet les utilisations non décrites dans les instructions pourraient être une source de dommages pour le produit et mettre en danger les personnes et les choses.

Nice décline toute responsabilité en cas de non-observation des règles de l'art dans la construction des portes sectionnelles ainsi que des déformations qui pourraient se vérifier durant l'utilisation.

Ce produit a été projeté et réalisé pour automatiser des portes ouvrables manuellement et bien équilibrées, c'est-à-dire que la porte doit pouvoir s'ouvrir jusqu'en fin de course avec une force inférieure à 300 N (30 kg) et que lorsqu'elle est arrêtée dans n'importe quelle position, après avoir actionné le débrayage, elle ne doit pas amorcer de mouvement de descente ou montée. Ne pas installer le produit en présence d'atmosphère explosive.

1) Description du produit

SUMO est un opérateur électromécanique pour l'automatisation de portes sectionnelles et de portes coulissantes en deux parties (**fig.3-11**). Grâce à l'arbre de sortie creux, il permet un assemblage aisé avec l'arbre porte-ressorts de la plupart des portes sectionnelles qui se trouvent dans le commerce. L'armoire de commande A924, en plus d'alimenter le moteur en courant continu muni d'encodeur, permet un réglage précis du couple et de la vitesse de l'opérateur, une détection exacte des mesures, un

démarrage et une fermeture progressive, la détection des obstacles. Elle est munie également d'un voyant de maintenance qui permet d'enregistrer le nombre de manœuvres effectuées par l'opérateur. Le débrayage, actionnable à partir du sol, libère le moteur du corps réducteur.

2) Installation

2.1) Contrôles préliminaires

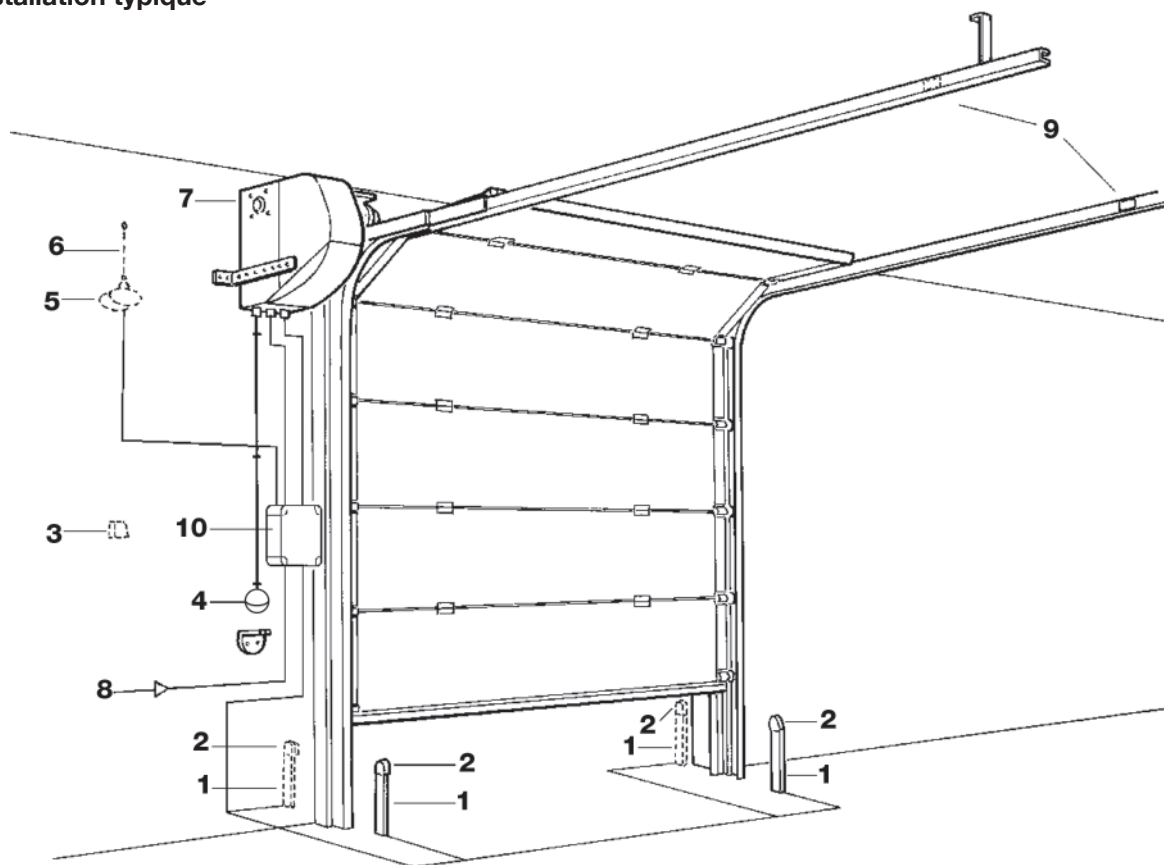
Avant de procéder à l'installation, il faut vérifier que la structure est adaptée, en d'autres termes, qu'elle est conforme aux normes en vigueur et en particulier, il faut vérifier que: la porte ne présente pas de points de frottement aussi bien en fermeture qu'en ouverture; l'ouverture ou la fermeture de la porte ne nécessite pas une force supérieure à 300 N (30 kg); la porte est bien équilibrée, à savoir, que lorsque qu'elle est arrêtée dans une position quelconque, elle n'amorce aucun mouvement; la porte, dans sa course, est silencieuse, régulière et sans embardées; la zone choisie pour la fixation de l'opérateur permet d'actionner

manuellement le débrayage de manière facile et sûre; nous rappelons que SUMO est conçu pour la motorisation d'une porte (sectionnelle ou coulissante en deux parties) et est en soi efficace et sûr ; il ne peut toutefois suppléer aux défauts causés par une installation erronée ou par une mauvaise maintenance.

l'emballage contient tous les éléments, comme l'illustre la **fig. 1**; en se référant à la **fig. 2**, vérifier que la zone de fixation est compatible avec l'encombrement de l'opérateur.

La **fig. 3** illustre une installation typique de l'opérateur SUMO.

2.2) Installation typique



1. Colonne
2. Photocellule
3. Sélecteur à clé ou clavier à code
4. Poignée de débrayage
5. Clignotant

6. Antenne
7. SUMO
8. Ligne d'alimentation
9. Butées de fin de course mécaniques
10. Armoire de commande A924

2.3) Fixation SUMO (installation classique)*

1. Dévisser avec un tournevis cruciforme les 3 vis du couvercle mobile et l'enlever (fig. 4).
2. Faire passer le fil à travers le passe-câble (fig. 5).
3. Percer les deux côtés en aluminium et connecter les deux passe-câble (21) (fig.6).
- 4a. Abaisser avec une main le levier de débrayage (5).
- 4b. Bloquer le levier avec le loquet (14) (fig. 7).
5. Après avoir choisi le côté où installer l'opérateur suivant ce qui est indiqué dans les contrôles préliminaires, insérer le SUMO dans l'arbre porte-ressorts en faisant coïncider les deux rainures. Enclencher la languette (31) en la laissant dépasser du SUMO de l'espace nécessaire pour la bloquer avec le collier de serrage (non fourni) (fig. 8).
6. Appuyer contre le mur la patte de fixation (41) en identifiant le trou le plus adapté pour maintenir le SUMO parallèle au mur. Fixer la patte au SUMO avec une vis (54) (fig. 9).
7. Percer le mur au niveau des trous de la patte et la fixer au mur (pour cette opération, lire les conseils pour la fixation donnés ci-après).
8. Tenir d'une main le levier de débrayage, ouvrir le loquet et remettre le levier dans la position initiale.

* pour la version SU2010, lire le chapitre 3 "Installation du débrayage"

⚠ Conseils pour la fixation (fig. 9a)

Fixation sur l'acier :

Si la patte doit être fixée sur le profilé en acier, il suffit d'utiliser un boulon M8 classe 6,8 ou M8 A2-50.

Fixation sur le béton :

Vis tamponnée M8 type HILTI HST-R-M8

h: 100 mm (épaisseur minimum du mur)

h1: 55 mm (profondeur du trou)

Tinst: 25 Nm (couple de serrage)

df: 9 mm (diamètre du trou passant)

Sw: 13 mm (type de clé)

Si le mur est d'un type différent de ceux décrits ci-dessus (maçonnerie, bois, plastique, etc.) l'installateur doit évaluer le type de fixation le plus approprié en sachant que le système de fixation doit supporter dans tous les cas un effort de traction égal à 1000 N (100 kg).

2.4) Fixation Sumo avec chaîne verticale

Installation pour applications particulières.

Cette fixation se rend nécessaire si :

- les contrôles préliminaires ont mis en évidence que l'encombrement de l'opérateur rend l'installation classique impossible ;
- les contrôles préliminaires ont mis en évidence qu'il n'est pas possible d'effectuer la manœuvre de débrayage de manière facile et sûre ;
- on désire augmenter le couple transmis avec une réduction supplémentaire (consulter le constructeur de la porte sectionnelle pour savoir si le modèle de porte peut supporter le couple désiré).

Pour réaliser cette installation NICE propose les accessoires suivants:

CRA1 (arbre avec pignon Z = 18)

CRA6 (couronne dentée Z = 36)

CRA7 (couronne dentée Z = 18)

CRA8 (platines de fixation au mur)

CRA2, CRA3, CRA4 (chaîne de longueur suffisante)

Pour un simple renvoi du mouvement (Ratio 1:1) utiliser: CRA1-CRA7

Pour une réduction du mouvement (Rapport 1:2) utiliser: CRA1 - CRA6

Consulter la **fig. 10** pour avoir un exemple d'installation.

- Garder la chaîne lâche avant de fixer le SUMO au mur, en cas contraire, après la fixation définitive la chaîne pourrait résulter trop tendue.
- Une fois que les pattes sont fixées au mur, les fentes permettent de régler la position du SUMO de manière que la chaîne résulte légèrement tendue. Serrer les vis pour compléter la fixation.
- S'assurer que le pignon et la couronne dentée se trouvent sur le même plan.
- La chaîne doit être à au moins 2,4 m du sol et dans tous les cas, elle doit être impossible à atteindre avec le bras tendu. En cas contraire, la protéger avec un carter.

⚠ Vérifier que l'arbre sur lequel doit être montée la couronne dentée est suffisamment résistant à la flexion : soumis à une charge de 4000 N (400 kg) il ne doit pas fléchir de plus de 2 mm. En cas contraire, prendre les mesures nécessaires pour le rendre plus rigide.

2.5) Fixation Sumo avec chaîne horizontale

Installation sur portes coulissantes en deux parties

La **fig. 11** illustre un exemple d'installation pour motoriser deux portes coulissantes.

Pour réaliser cette installation, NICE propose les accessoires suivants:

CRA1 (arbre avec pignon Z = 18)

CRA5 (renvoi de tension de la chaîne)

CRA8 (platines de fixation au mur)

CRA2, CRA3, CRA4 (chaîne de longueur suffisante)

Se référer au paragraphe précédent pour les précautions à prendre.

2.6) Connexions électriques

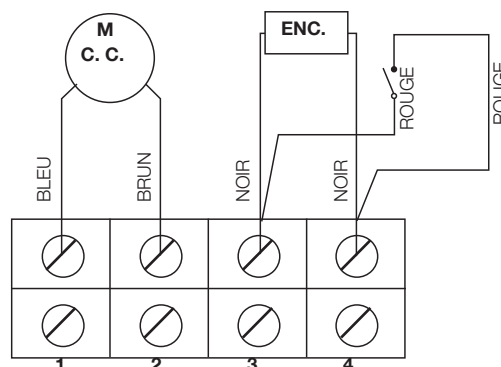
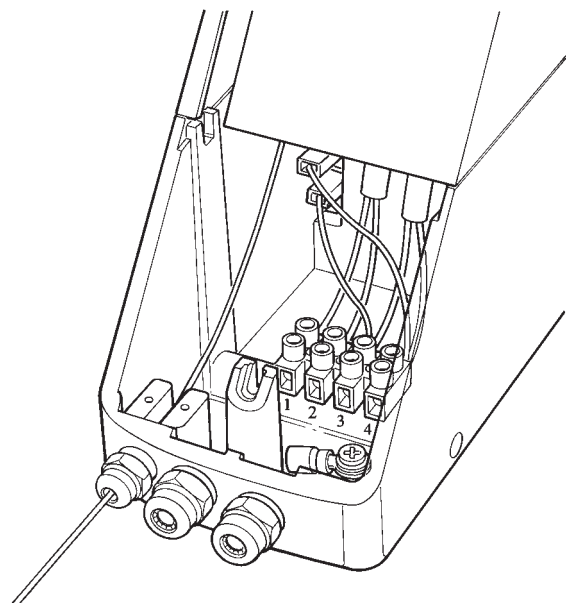
⚠ Durant cette opération, l'armoire de commande ne doit pas être alimentée

Enfiler le câble d'alimentation et le câble de l'encodeur respectivement dans le passe-câble central et dans celui de droite. Connecter le câble d'alimentation tripolaire (3 x 2,5)* aux bornes 1 - 2 avec la cosse isolée pour la mise à la terre. Connecter le câble bipolaire (2 x 0,75) aux bornes 3 - 4 (encodeur).

Serrer le passe-câble pour empêcher que les câbles puissent être arrachés du bornier (se référer aux **fig. 12-12a**).

Fermer le SUMO en vissant avec un tournevis cruciforme les 3 vis du couvercle.

*Si le câble dépasse 10 m de longueur, utiliser une section de 4 mm².



3) Installation du débrayage

Installation du débrayage pour le modèle SU2000

Dérouler la corde le long du mur (L max. 6,5 m) en la faisant passer, éventuellement dans les anneaux (non fournis). À 80 mm de l'extrémité de la corde, percer et fixer au mur la platine de blocage de la poignée (42) pour le débrayage au sol (**fig. 13**).

Installation du débrayage manuel pour le modèle SU2010

Nous conseillons de diviser en deux phases le montage du système de débrayage. Pour plus de commodité il vaut mieux exécuter la première phase par terre et la seconde après avoir monté l'automatisme.

Procédure:

Phase n°1

1. Enlever un capuchon à l'extrémité de la gaine;
2. dévisser avec un tournevis cruciforme les 3 vis (47-48) qui bloquent le couvercle (3) et l'enlever;
3. abaisser le levier de débrayage (5) et le bloquer avec le loquet (14);
4. dévisser la protection du PG7 (22) et enfiler à fond la gaine, du côté sans capuchon;
5. enfiler dans la gaine, du côté du capuchon, le câble métallique;
6. visser la pièce de blocage de la gaine (7) avec les vis (46) (**fig. 14**);

7. enfiler le câble métallique dans la fente la plus extérieure du levier de débrayage (5). Bloquer l'extrémité du câble avec le serre-câble en contrôlant qu'il ne peut pas s'arracher même quand on le tire avec force (**fig. 15**).

Phase n°2

1. Ouvrir le loquet (14) et mettre la poignée de débrayage (5) dans la position initiale;
2. fermer le couvercle (3);
3. dérouler la gaine (L max. 6,5 m) le long du mur en ligne droite de manière que le câble métallique puisse coulisser facilement à l'intérieur de la gaine;
4. enfiler le serre-câble (69) dans le câble métallique;
5. raccorder la poignée de débrayage (43) au câble métallique, si nécessaire, éliminer la partie qui dépasse;
6. Régler la hauteur de fixation du serre-câble et débrayer (**fig. 16a**).
Corriger éventuellement la position du serre-câble de manière que le SUMO reste débrayé quand la poignée se trouve dans la position 1.

4) Manœuvre manuelle ou débrayage

Modèles SU2000 - SU2010

Tirer la poignée vers le bas, en la portant dans la position 1.
Agir manuellement sur la porte (**fig. 16 - 16a**).

Le débrayage doit avoir lieu exclusivement quand la porte est arrêtée.
Pour les opérations de programmation et de réglage du couple anti-écrasement, voir les instructions de l'armoire de commande A924.

5) Essai de fonctionnement

L'essai de fonctionnement de toute l'installation doit être effectué par du personnel expert et qualifié qui doit se charger des essais requis en tenant compte du risque présent.

Pour l'essai du SUMO, suivre cette procédure:

- fermer la porte;
- couper l'alimentation de l'armoire de commande;
- débrayer l'opérateur;
- vérifier que le rail de coulissement est propre et sans débris;
- ouvrir manuellement la porte jusqu'en fin de course en veillant à ne pas exercer une force supérieure à 300 N (30 kg);
- vérifier l'absence de points de frottement durant le mouvement de la porte;
- vérifier que la porte, si elle est arrêtée en un point quelconque et débrayée, n'amorce aucun mouvement de descente ou de montée;
- vérifier que les systèmes de sécurité et les butées de fin de course mécaniques sont en bon état;
- vérifier que les vis d'assemblage sont serrées à fond;
- vérifier, si elle est présente, la tension de la chaîne et qu'elle coulisse bien, si nécessaire la graisser;
- après avoir terminé les vérifications, réembrayer l'opérateur et rétablir l'alimentation de l'armoire de commande.
- régler (à partir de l'armoire de commande) la force de l'opérateur de manière à ce qu'elle n'arrive à bouger que la porte;
- mesurer la force d'impact conformément aux normes EN12445 et EN12453.

6) Maintenance

L'armoire de commande A924 est dotée d'un voyant de maintenance (consulter le livret d'instructions de l'armoire de commande A924 pour plus de détails). Ce voyant signale qu'il est nécessaire d'effectuer la maintenance programmée de l'installation. Une maintenance régulière permet non seulement d'assurer à l'opérateur une plus longue vie mais aussi un fonctionnement correct et sûr du système.

La maintenance doit être effectuée exclusivement par du personnel qualifié.

La maintenance consiste simplement à répéter toute la procédure de l'essai de fonctionnement.

6.1) Mise au rebut

SUMO est constitué de différents types de matériaux et leur mise au rebut doit être effectuée en respectant les normes en vigueur dans le pays d'installation.

En cas de démantèlement de l'automatisme, il n'existe pas de dangers ou risques dérivant de l'automatisme proprement dit.

Dans le cas de récolte différenciée, il est opportun d'effectuer un tri sélectif suivant le type de matériau (partes électriques, aluminium, plastique, etc.)

7) Caractéristiques techniques

SUMO 2000 - 2000V - 2000VV

Opérateur irréversible 24 Vcc avec encodeur, avec débrayage local et avec câble.

SUMO 2010

Opérateur irréversible 24 Vcc avec encodeur, avec débrayage local et avec gaine.

		SU2000	SU2010	SU2000V	SU2000VV
Alimentation	(Vdc)	15 ÷ 36			
Absorption moteur	(Adc)	13			
Puissance absorbée	(W)	500			
Indice de protection	(IP)	44	54	44	
Couple	(Nm)	120		82	46
Vitesse	(rpm)	7.5 ÷ 16 (6)*		11 ÷ 23.5 (9)*	19.5 ÷ 42 (15)*
Surface max. porte	(m2)	35		25	15
Température de fonctionnement	(°C Min/Max)	-20°÷50°			
Classe d'isolement		B			
Cycles de travail	(%)	50			
Poids	(kg)	10.5			
Trou	(mm)	25.5			

* La valeur entre parenthèses se vérifie durant le ralentissement avec l'armoire de commande A924.



FR

Sumo

Instructions et avertissements destinés à l'utilisateur de l'opérateur SUMO

Félicitations pour avoir choisi un produit Nice pour votre installation d'automatisation!

Nice S.p.A. produit des composants pour l'automatisme de portails, portes, volets roulants et stores : opérateurs, armoires de commande, radiocommandes, clignotants, photocellules et accessoires.

Nice utilise exclusivement des matériaux et des usinages de qualité et par vocation, elle recherche des solutions innovantes qui simplifient au maximum l'utilisation de ses appareils, très soignés sur le plan des solutions techniques, esthétiques et ergonomiques: dans la vaste gamme Nice, votre installateur aura choisi sans aucun doute le produit le plus adapté à vos exigences.

Nice n'est toutefois pas le producteur de votre automatisme qui est en effet le résultat d'un travail d'analyse, évaluation, choix des matériaux et réalisation de l'installation, exécuté par votre installateur de confiance. Chaque automatisme est unique et seul votre installateur possède l'expérience et la compétence professionnelle nécessaires pour réaliser une installation répondant à vos exigences, sûre et fiable dans le temps et surtout, exécutée dans les règles de l'art et conforme par conséquent aux normes en vigueur.

Une installation d'automatisation est une belle commodité ainsi qu'un système de sécurité valable ; avec quelques attentions très simples, elle est destinée à durer dans le temps.

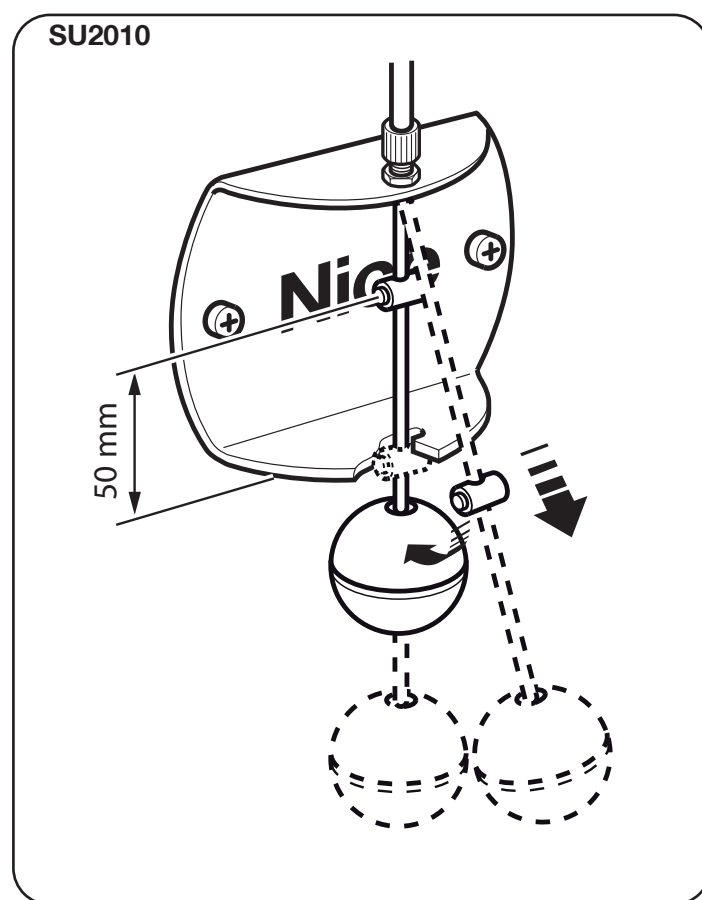
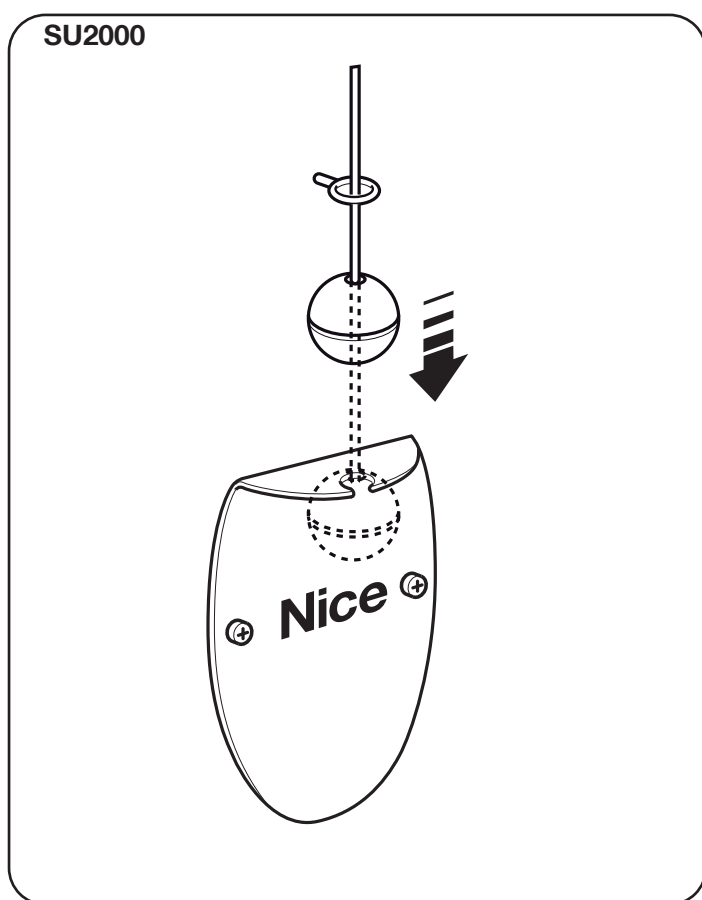
Même si l'automatisme en votre possession satisfait le niveau de sécurité requis par les normes, cela n'exclut pas la persistance d'un "risque résiduel", c'est-à-dire la possibilité de situations de danger dues généralement à une utilisation inconsciente, voire erronée. C'est la raison pour laquelle nous désirons vous donner quelques conseils sur les comportements à adopter pour éviter tout inconvénient:

- **Avant d'utiliser pour la première fois l'automatisme**, faites-vous expliquer par l'installateur l'origine des risques résiduels et consacrez quelques minutes à la lecture du manuel **d'instructions et d'avertissement pour l'utilisateur** qui vous est remis par l'installateur. Conservez le manuel pour pouvoir le consulter pour n'importe quel doute futur et remettez-le à l'éventuel nouveau propriétaire de l'automatisme.
- **Votre automatisme est un équipement qui exécute fidèlement vos commandes**; une utilisation inconsciente et incorrecte peut le rendre dangereux: ne commandez pas le mouvement de l'automatisme si des personnes, des animaux ou des objets se trouvent dans son rayon d'action.

- **Enfants:** une installation d'automatisation garantit un degré de sécurité élevé en empêchant avec ses systèmes de détection le mouvement en présence de personnes ou d'objets et en garantissant une activation toujours prévisible et sûre. Il est prudent toutefois d'éviter de laisser jouer les enfants à proximité de l'automatisme et pour éviter les activations involontaires, de ne pas laisser à leur portée les émetteurs qui commandent la manœuvre: ce n'est pas un jeu!
- **Anomalies:** si vous notez une anomalie quelconque dans le fonctionnement de l'automatisme, coupez l'alimentation électrique de l'installation et procédez au débrayage manuel. Ne tentez jamais de le réparer vous-même mais demandez l'intervention de votre installateur de confiance : dans l'intervalle, l'installation peut fonctionner comme un système non automatisé, après avoir débrayé l'opérateur suivant les indications données plus loin.
- **Maintenance:** comme tout appareil, votre automatisme a besoin d'une maintenance périodique pour pouvoir fonctionner le plus longtemps possible et en toute sécurité. Établissez avec votre installateur un plan de maintenance périodique programmée; Nice conseille une intervention tous les 6 mois pour une utilisation domestique normale mais celle période peut varier en fonction de l'intensité d'utilisation. Toute intervention de

contrôle, maintenance ou réparation doit être exécutée exclusivement par du personnel qualifié.

- Même si vous estimez en être capable, ne modifiez pas l'installation et les paramètres de programmation et de réglage de l'automatisme : la responsabilité en incombe à votre installateur.
- L'essai de fonctionnement final, les maintenances périodiques et les éventuelles réparations doivent être documentés par qui les exécute et les documents doivent être conservés par le propriétaire de l'installation.
- **Mise au rebut.** À la fin de la vie de l'automatisme, assurez-vous que le démantèlement est effectué par du personnel qualifié et que les matériaux sont recyclés ou mis au rebut en respectant les normes locales en vigueur.
- **En cas de ruptures ou absence d'alimentation électrique.** En attendant l'intervention de votre installateur (ou le retour du courant si l'installation est dépourvue de batterie tampon), l'installation peut être actionnée comme n'importe quel autre système non automatisé. Pour cela, il faut effectuer le débrayage manuel : cette opération, qui est la seule pouvant être effectuée par l'utilisateur de l'automatisme, a fait l'objet d'une étude particulière de la part de Nice pour vous assurer toujours une utilisation extrêmement simple et aisée, sans aucun outil ou effort physique.



1. Tirer la poignée vers le bas, en la portant dans la position 1.
2. Agir manuellement sur la porte

⚠ Le débrayage doit avoir lieu exclusivement quand la porte est arrêtée.

Important: si votre installation est munie d'une radiocommande qui au bout d'une certaine période présente des problèmes de fonctionnement ou ne fonctionne plus du tout, cela pourrait dépendre tout simplement du fait que la pile est usagée (suivant le type de pile, il peut s'écouler plusieurs mois jusqu'à deux ou trois ans). Vous pouvez vérifier cet état de chose si le voyant de confirmation de la transmission est faible, s'il ne s'allume plus du tout ou s'il ne s'allume qu'un bref instant. Avant de vous adresser à l'installateur, essayez de remplacer la pile en utilisant celle d'un autre émetteur qui fonctionne encore : si cette intervention remédie au problème, il vous suffit de remplacer la pile usagée par une neuve du même type.

Vous êtes satisfait? Si vous désirez équiper votre maison d'un nouvel automatisme, adressez-vous au même installateur et à Nice. Vous serez sûr de bénéficier ainsi, en plus du conseil d'un spécialiste et des produits les plus évolués du marché, également du meilleur fonctionnement et de la compatibilité parfaite des différents automatismes installés.

Nous vous remercions d'avoir lu ces recommandations et nous espérons que votre nouvelle installation vous donnera entière satisfaction : pour tout besoin présent ou futur, adressez-vous en toute confiance à votre installateur.

Sumo

Inhaltsverzeichnis

	S.		S.		
1	Beschreibung des Produktes	26	4	Manuelle Betätigung oder Entriegelung	29
2	Installation	26	5	Prüfung	29
2.1	Vorprüfungen	26	6	Wartung	29
2.2	Typische Anlage	26	6.1	Entsorgung	29
2.3	Befestigung von Sumo (typische Installation)	27	7	Technische Merkmale	30
2.4	Befestigung von Sumo mit vertikaler Kette	27		Anweisungen und Hinweise für den Benutzer des toröffners SUMO	31
2.5	Befestigung von Sumo mit horizontaler Kette	27			
2.6	Elektrische Anschlüsse	28			
3	Installation der Entriegelung	28			

DE

Wichtige Hinweise

Nice gratuliert Ihnen zur Wahl dieses Produktes und bittet Sie, diese Seiten sehr aufmerksam zu lesen.

Um den Gebrauch dieser Anweisungen so einfach wie möglich zu machen, wurde soweit wie möglich versucht, die Seiten in der Reihe einzuordnen, in der die verschiedenen Installationsschritte der Anlage auszuführen sind. Vor der Installation sind die Anweisungen und das anliegende Heft „Hinweise für den Installateur“ aufmerksam zu lesen, da sie, was Sicherheit, Installation, Bedienung und Wartung betrifft, wichtige Hinweise liefern.

Alles nicht ausdrücklich in diesen Anweisungen vorgesehene ist unzulässig; nicht in den Anweisungen vorgesehene Verwendungen könnten das Produkt beschädigen und Personen und Gegenstände gefährden.

Nice übernimmt keine Haftung weder für die gute Konstruktionstechnik der Sektionaltore noch für eventuelle Verformungen während des Betriebs.

Das vorliegende Produkt wurde für die Automatisierung von Toren entwickelt und hergestellt, die von Hand geöffnet werden können und ein gutes Gleichgewicht haben, es muss daher möglich sein, das Tor auf seinem ganzen Lauf mit einer Kraft unter 300N (30 kg) zu öffnen, und wenn das Tor in beliebiger Stellung angehalten wird, darf es nach Betätigung der Entriegelung nicht heruntergehen.

Das Produkt nicht in Ex-gefährdeter Umgebung installieren.

1) Beschreibung des Produktes

SUMO ist ein elektromechanischer Toröffner für die Automatisierung von Sektionaltoren und zweiflügeligen Schiebetoren (**Abb. 3-11**). Dank der Ausgangshohlwelle erfolgt das Einkuppeln mit der Federhalterwelle an den meisten, handelsüblichen Sektionaltoren auf sehr leichte Weise. Die Steuerung A924 versorgt den mit Encoder ausgestatteten Gleichstrommotor und ermöglicht außerdem eine optimale Einstellung des Drehmoments und der Geschwindigkeit des Getriebemotors, eine genaue

Messung der verschiedenen Masse, stufenweises Anfahren und Anhalten und die Wahrnehmung eines Hindernisses. Weiterhin ist sie mit einem Wartungsleuchtmelder ausgestattet, der die Bewegungen registriert, die der Toröffner in seiner gesamten Lebensdauer ausführt. Die vom Boden aus zu betätigende Entriegelung löst den Motor vom Körper des Untersetzungsgetriebes.

2) Installation

2.1) Vorprüfungen

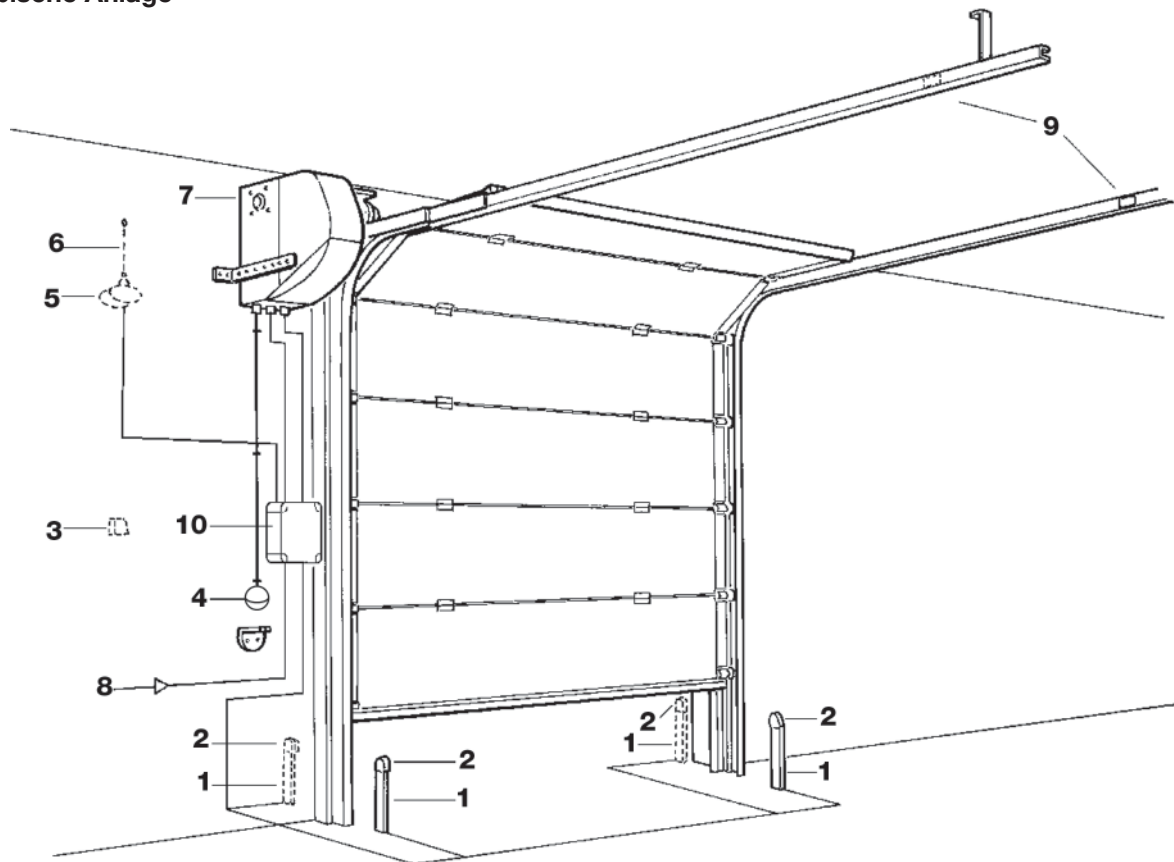
Vor dem Einbau einer Automatisierung muss geprüft werden, ob die Struktur dafür geeignet ist bzw. ob sie den gültigen Vorschriften entspricht.

Insbesondere: darf das Tor weder in Öffnung noch in Schließung Reibungsstellen aufweisen; dürfen für die Bewegung des Tors eine Kraft nicht über 300N (30kg) erforderlich sein; muss das Tor ein gutes Gleichgewicht besitzen bzw. darf es sich nicht bewegen, wenn es angehalten wird; muss das Tor einen leisen und regelmäßigen Lauf haben und darf nicht entgleisen; muss der zur Befestigung

des Toröffners gewählte Bereich so sein, dass die manuelle Entriegelung auf leichte und einfache Weise betätigt werden kann; dient SUMO für die Automatisierung von einem an und für sich effizienten und sicheren Tor (Sektionaltor oder zweiflügeliges Tor) und nicht dazu, Installationsfehlern oder einer schlechten Wartung Abhilfe zu schaffen; muss die Verpackung unbeschädigt sein, siehe dazu **Abb. 1**; ist unter Bezugnahme auf **Abb. 2** zu prüfen, ob der Befestigungsbereich für die Gesamtabmessungen des Toröffners geeignet ist.

In **Abb. 3** ist eine typische Installation des Toröffners gezeigt.

2.2) Typische Anlage



1. Standsäule
2. Photozelle
3. Schlüsseltaster oder drahtloses digitales Codeschloss
4. Entriegelungsgriff
5. Blinkleuchte

6. Antenne
7. SUMO
8. Versorgungslinie
9. Mechanische Endanschläge
10. Steuerung A924

2.3 Befestigung von SUMO (klassische Installation)*

1. Die 3 Schrauben des abnehmbaren Deckels mit einem Kreuzschraubenzieher abschrauben und den Deckel entfernen (Abb. 4).
2. Den Draht durch den Kabelhalter führen (Abb. 5).
3. Die zwei Aluminiumwände durchbrechen und die zwei Kabelhalter (21) einstecken (Abb. 6).
- 4a. Den Entriegelungshebel (5) mit einer Hand herunterlassen.
- 4b. Den Hebel mit dem Riegel (14) blockieren (Abb. 7).
5. Nachdem die Seite festgelegt worden ist, auf welcher der Toröffner installiert werden soll (hierzu die Angaben in den Vorprüfungen befolgen), den Toröffner SUMO so in die Federhalterwelle einstecken, dass die beiden Rillen übereinstimmen. Die Feder (31) einstecken und so weit am SUMO herausragen lassen, dass sie mit der Schelle (nicht mitgeliefert) blockiert werden kann (Abb. 8).
6. Den Befestigungsbügel (41) an der Wand aufstützen, so dass SUMO parallel zur Wand gehalten wird. Den Bügel mit einer Schraube (54) am SUMO befestigen (Abb. 9).
7. Die Wand dort lochen, wo sich die Bohrungen am Bügel befinden und den Bügel an der Mauer befestigen (zuerst die hier folgenden Hinweise für die Befestigung lesen).
8. Den Entriegelungshebel mit einer Hand halten, den Riegel öffnen und den Hebel in seine anfängliche Stellung begleiten.

* Für die Version SU2010 das Kap. 3 "Installation der Entriegelung" lesen.

▲ Hinweise für die Befestigung (Abb. 9a)

Befestigung auf Stahl:

Falls der Bügel am Stahlprofil befestigt werden muss, genügt eine Mutterschraube M8 Klasse 6,8 oder M8 A2-50.

Befestigung auf Stahlbeton:

Spreizschraube M8 Typ HILTI HAST-R-M8 h: 100 mm (Mindestdicke der Wand) h1: 55 mm (Tiefe der Bohrung) Tinst: 25Nm (Anzugsmoment) df: 9 mm (Durchmesser der durchgehenden Bohrung) Sw: 13 mm (Schlüsseltyp).

Ist die Wand anders als die oben genannten (Mauer, Holz, Plastik, usw.), so muss der Installateur die geeignetste Befestigung bestimmen, wobei er zu berücksichtigen hat, dass das Befestigungssystem auf jeden Fall einer Zugkraft von 1000N (100 kg) standhalten muss.

2.4 Befestigung von Sumo mit vertikaler Kette

Installation für besondere Anwendungen.

Diese Befestigung ist notwendig, wenn:

- bei den Vorprüfungen festgestellt wurde, dass eine klassische Installation aufgrund der Gesamtabmessungen des Toröffners unmöglich ist;
- bei den Vorprüfungen festgestellt wurde, dass die Entriegelung nicht leicht und sicher ausgeführt werden kann;
- den übertragenen Drehmoment durch eine weitere Untersetzung erhöhen will (den Hersteller des Sektionaltors zu Rate ziehen, um zu wissen, ob das Tor für den gewünschten Drehmoment geeignet ist).

Um diese Installation auszuführen, bietet NICE folgende Zubehörteile:

CRA1 (Welle mit Ritzel Z = 18)

CRA6 (Kettenrad Z = 36)

CRA7 (Kettenrad Z = 18)

CRA8 (Mauerbefestigungsbügel)

CRA2, CRA3, CRA4 (Kette mit ausreichender Länge)

Für eine einfache Untersetzung der Bewegung (Verhältnis 1:1), CRA1-CRA7 verwenden.

Für eine Untersetzung der Bewegung mit Verhältnis 1:2, CRA1-CRA6 verwenden.

In **Abb. 10** ist ein Installationsbeispiel gezeigt.

- Die Kette locker halten, bevor man den SUMO an der Wand befestigt, andernfalls könnte die Kette nach der Befestigung zu stark gespannt sein.
- Nachdem die Bügel an der Wand befestigt sind, kann die Stellung des SUMO über die Schlitzlöcher so eingestellt werden, dass die Kette leicht gespannt ist. Die Schrauben anziehen, um die Befestigung zu vervollständigen.
- Sicherstellen, dass sich Ritzel und Kettenrad auf gleicher Höhe befinden.
- Die Kette muss mindestens 2,4 m vom Boden entfernt sein; sie darf nicht mit den oberen Gliedmaßen erreichbar sein, im gegenteiligen Fall muss sie durch ein Gehäuse geschützt werden.

▲ Prüfen, dass die Welle, auf welcher das Kettenrad befestigt werden muss, ausreichend biegefest ist bzw. bei Anwendung einer Last von 4000N (400 kg) nicht mehr als 2 mm durchbiegt, andernfalls entsprechend versteifen.

2.5 Befestigung von SUMO mit horizontaler Kette

Installation an zweiflügeligen Schiebetüren.

In **Abb. 11** ist ein Installationsbeispiel für die Motorisierung von einem zweiflügeligen Schiebetor gezeigt.

Um diese Installation auszuführen, bietet NICE folgende Zubehörteile:

CRA1 (Welle mit Ritzel Z = 18)

CRA5 (Kettenspannervorgelege)

CRA8 (Mauerbefestigungsbügel)

CRA2, CRA3, CRA4 (Kette mit ausreichender Länge)

Für die anzuwendenden Vorsichtsmassnahmen ist auf den vorherigen Abschnitt Bezug zu nehmen.

2.6) Elektrische Anschlüsse

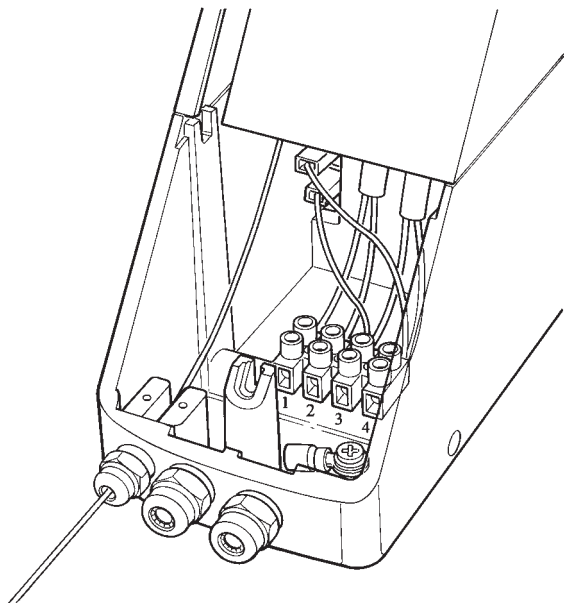
⚠ Bei dieser Arbeit darf die Steuerung nicht mit Strom versorgt sein.

Das Stromkabel und das Encoderkabel jeweils in den Kabelhalter in der Mitte und rechts einstecken. Das dreipolige Stromkabel (3x2,5)* mit den Wegen 1-2 am isolierten Kabelschuh für den Erdschluss anschließen. Das zweipolige Kabel (2x0,75) mit den Wegen 3-4 (Encoder) anschließen.

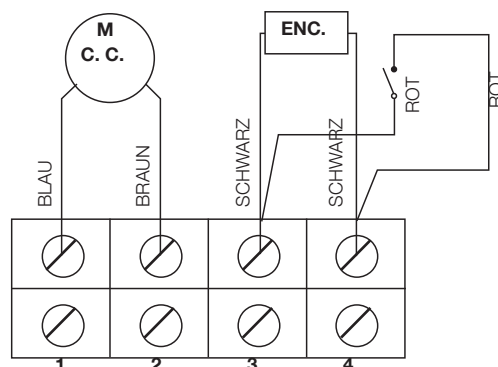
Den Kabelhalter anziehen, damit sich die Kabel nicht vom Klemmenbrett lösen können (siehe **Abb. 12-12a**).

Den SUMO schließen, indem die 3 Schrauben am Deckel mit einem Kreuzschraubenzieher angeschraubt werden.

* Querschnitt 4 mm² verwenden, falls das Kabel länger als 10 m ist.



12



12a

3) Installation der Entriegelung

Installation der Entriegelung für Modell SU2000

Das Seil (max. L 6,5 m) längs der Wand abwickeln und gegebenenfalls durch die Ösen (nicht mitgeliefert) führen. Die Mauer 80 mm vom Seilende lochen und den Haltebügel des Kugelgriffs (42) für die Entriegelung vom Boden an der Mauer befestigen (**Abb. 13**).

Installation der manuellen Entriegelung für Modell SU2010

Wir empfehlen, die Montage des Entriegelungssystems in zwei Schritten zu unterteilen. Der erste Schritt sollte vom Boden ausgeführt werden, der zweite nach der Montage der Automatisierung.

Verfahren:

Schritt Nr. 1:

1. Einen Endverschluss am Mantel entfernen.
2. Die drei Schrauben (47-48), mit denen der Deckel befestigt ist, mit einem Sternschraubenzieher abschrauben und den Deckel entfernen.
3. Den Entriegelungshebel (5) senken und mit dem Riegel (14) blockieren.
4. Die Kappe des PG7 (22) losschrauben und den Mantel von der Seite ohne Kappe her bis zum Anschlag einstecken.
5. Das Metallseil von der Seite der Kappe her in den Mantel einführen.
6. Den Mantelhalter (7) mit den dazu bestimmten Schrauben (46) anschrauben (**Abb. 14**).

7. Das Stahlseil durch den äußersten Schlitz am Entriegelungshebel (5) stecken. Das Kabelende mit der dazu bestimmten Zwinge befestigen und sicherstellen, dass es sich nicht löst, auch wenn man fest anreißt (**Abb. 15**).

Schritt Nr. 2:

1. Den Riegel (14) öffnen und den Entriegelungshebel (5) in seine anfängliche Stellung begleiten.
2. Den Deckel (3) schließen.
3. Den Mantel (max. L 6,5 m) längs der Wand abwickeln und auf einer geraden Strecke ausrichten, damit das Metallseil leicht im Mantel gleiten kann.
4. Die Zwinge (69) in das Metallseil stecken.
5. Den Entriegelungsgriff (43) mit dem Metallseil verbinden, gegebenenfalls den überschüssigen Teil entfernen.
6. Die Befestigungshöhe der Zwinge regulieren und entriegeln (**Abb. 16a**).
Gegebenenfalls die Stellung der Zwinge berichtigen, so dass SUMO entriegelt bleibt, wenn sich der Griff in Position 1 befindet.

4) Manuelle Betätigung oder Entriegelung

Modelle SU2000 – SU2010

Den Kugelgriff nach unten ziehen und in Position 1 bringen.
Das Tor von Hand betätigen (**Abb. 16 – 16a**).

Die manuelle Betätigung darf ausschließlich bei stehendem Tor ausgeführt werden.

Was die Programmierung und Einstellung der Antiquetsch-Sicherung (Drehmoment) betrifft, wird auf die Anweisungen der Steuerung A924 verwiesen.

5) Prüfung

Die Prüfung der ganzen Anlage muss von erfahrenem Fachpersonal ausgeführt werden, das die erforderlichen Tests je nach vorhandenem Risiko festzulegen hat.

Für die Prüfung von SUMO ist wie folgt vorzugehen:

- das Tor schließen;
- die Spannungsversorgung zur Steuerung abschalten;
- den Toröffner entriegeln;
- prüfen, ob die Gleitschiene sauber und ohne Schmutzteilchen ist;
- das Tor in seinem ganzen Lauf von Hand öffnen und sicherstellen, dass eine Kraft unter 300N (30 kg) ausgeübt wird;
- prüfen, ob das Tor während seiner Bewegung keinen Reibungen unterliegt;
- prüfen, ob das Tor nicht nach unten oder oben geht, wenn es entriegelt ist und an einer beliebigen Stelle angehalten wird;
- prüfen, ob die Sicherheitssysteme und die mechanischen Anschläge in gutem Zustand sind;
- prüfen, ob die Schraubverbindungen fest angezogen sind;
- prüfen, falls vorhanden, ob die Kette richtig gespannt ist und gut gleitet, gegebenenfalls schmieren;
- nach den Prüfungen den Toröffner wieder verriegeln und die Steuerung mit Spannung versorgen;
- die Kraft des Toröffners (von der Steuerung aus) so einstellen, dass ausschließlich das Tor bewegt wird;
- die Aufprallkraft messen, wie von den Normen EN12445 und EN12453 vorgesehen.

6) Wartung

Die Steuerung A924 ist mit einem Wartungsleuchtmelder ausgestattet (für weitere Auskünfte siehe Anweisungen der Steuerung A924). Der Leuchtmelder zeigt an, dass es notwendig ist, die programmierte Wartung der Anlage auszuführen. Eine regelmäßige Wartung garantiert nicht nur eine längere Lebensdauer, sondern auch ein korrektes und sicheres Funktionieren des Systems.

Die Wartung darf nur von Fachpersonal ausgeführt werden.

Die Wartung besteht aus einer Wiederholung des Prüfverfahrens.

6.1) Entsorgung

SUMO besteht aus verschiedenen Werkstoffen, die nach den gültigen Vorschriften der einzelnen Länder zu entsorgen sind.

Im Falle eines Abbruchs der Automatisierung gibt es keine besonderen Gefahren oder Risiken aufgrund der Automatisierung selbst. Die Werkstoffe müssen nach Typ getrennt werden (elektrische Teile, Aluminium, Kunststoff, usw.), wenn man sie der differenzierten Müllabfuhr übergeben will.

7) Technische Merkmale

SUMO 2000 - 2000V - 2000VV

Selbsthemmender 24 Vdc Toröffner mit Encoder, mit örtlicher Entriegelung und mit Seil.

SUMO 2010

Selbsthemmender 24 Vdc Toröffner mit Encoder, mit örtlicher Entriegelung und mit Mantel.

		SU2000	SU2010	SU2000V	SU2000VV
Spannungsversorgung	(Vdc)	15 ÷ 36			
Leistungsaufnahme Motor	(Adc)	13			
Maximale Leistungsaufnahme	(W)	500			
Schutzart	(IP)	44	54	44	
Drehmoment	(Nm)	120		82	46
Geschwindigkeit	(rpm)	7.5 ÷ 16 (6)*		11 ÷ 23.5 (9)*	19.5 ÷ 42 (15)*
Max. Toroberfläche	(m2)	35		25	15
Betriebstemperatur	(°C Min/Max)	-20°÷50°			
Isolationsklasse		B			
Arbeitszyklen	(%)	50			
Gewicht	(kg)	10.5			
Bohrung	(mm)	25.5			

* Der Wert in Klammern gilt nur während der Verlangsamung mit Steuerung A924.



Sumo

Anweisungen und Hinweise für den Benutzer des Toröffners SUMO

Wir danken Ihnen, dass Sie ein Nice Produkt für Ihre Automatisierung gewählt haben!

Nice S.p.A. stellt Komponenten für die Automatisierung von Toren, Türen, Jalousien und Markisen her: Getriebemotoren, Steuerungen, Fernbedienungen, Blinkleuchte, Photozellen und andere Zubehörteile.

Nice verwendet nur Qualitätswerkstoffe und -bearbeitungen und ist, da sie ihrer Tätigkeit mit Leib und Seele gewidmet ist, immer auf der Suche nach neuen Lösungen, um den Gebrauch der hergestellten Geräte, die von der Technik, dem Aussehen und der Ergonomie her besonders gepflegt sind, so einfach wie möglich zu machen: unter den zahlreichen Nice Produkten wird Ihr Installateur bestimmt das für Sie richtige gewählt haben.

Nice ist aber nicht der Hersteller Ihrer Automatisierung, ein Ganzes, das sich aus Analysen, Bewertungen, Auswahl der verschiedenen Teile und Durchführung der Anlage durch Ihren Vertrauensinstallateur ergibt.

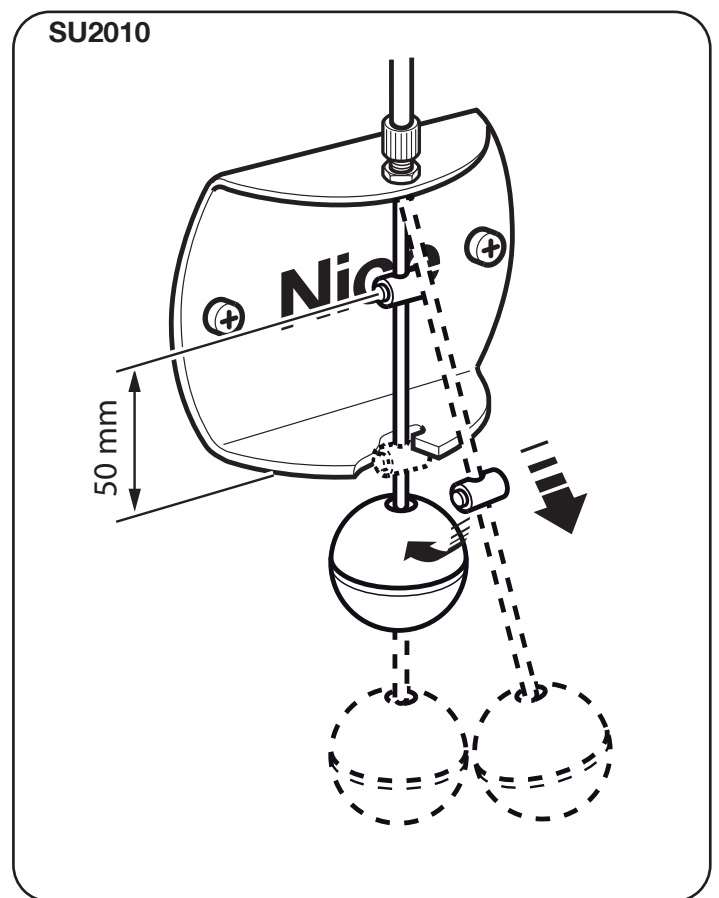
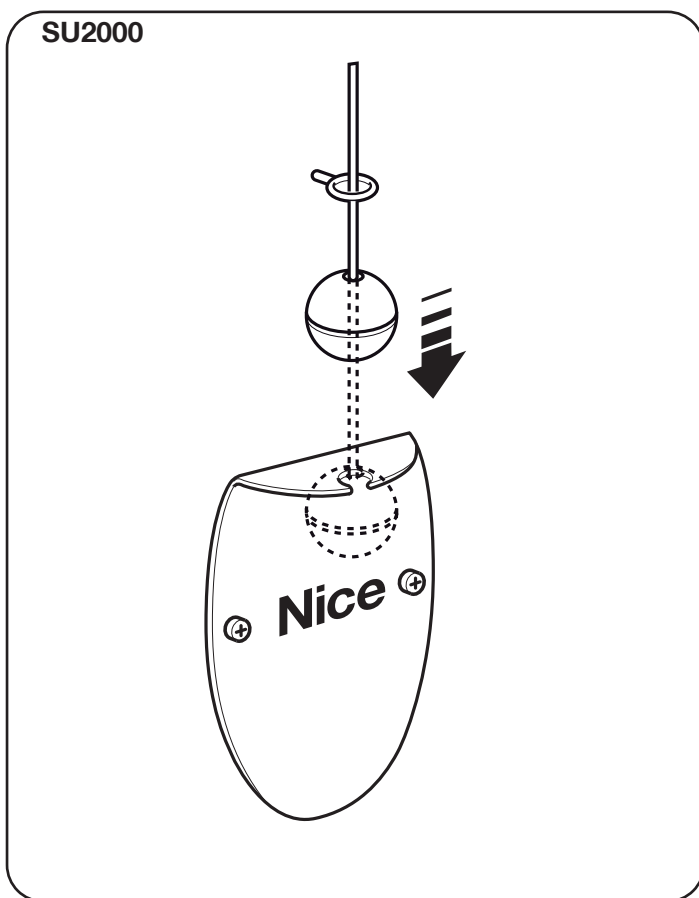
Jede Automatisierung ist einzigartig, und nur Ihr Installateur besitzt die Erfahrung und Professionalität, die notwendig sind, um eine Anlage auszuführen, die Ihrem Bedarf entspricht, sicher und dauerhaft zuverlässig, und vor allem fachgerecht gemacht, d.h. den gültigen Vorschriften entsprechend.

Eine Automatisierungsanlage ist bestimmt bequem, aber auch ein wertvolles Sicherheitssystem, und mit wenigen, einfachen Maßnahmen dauert sie lange Jahre.

Auch wenn Ihre Automatisierung den Sicherheitsanforderungen der Vorschriften gerecht wird, ist dadurch das Vorhandensein eines "Restrisikos" nicht ausgeschlossen. Damit ist gemeint, dass Gefahren auftreten können, die normalerweise durch einen verantwortungslosen oder sogar falschen Gebrauch verursacht werden. Aus diesem Grund möchten wir Ihnen ein paar Ratschläge geben, wie man sich verhalten soll, um dies zu vermeiden:

- **Lassen Sie sich vom Installateur die Restrisiken erklären**, bevor Sie Ihre Automatisierung zum ersten Mal verwenden. Widmen Sie den Anweisungen und Hinweisen für den Benutzer, **die Ihnen von Ihrem Installateur übergeben werden**, ein paar Minuten Ihrer Zeit. Bewahren Sie die Anweisungen für zukünftige Zweifel auf und übergeben Sie diese einem eventuellen neuen Eigentümer der Automatisierung.
- **Ihre Automatisierung ist ein Gerät, das Ihre Befehle getreu ausführt**; ein verantwortungsloser und unsachgemäßer Gebrauch kann sie gefährlich machen: Bewegungen der Automatisierung sollten Sie besser nicht machen, wenn sich Personen, Tiere oder Gegenstände in ihrem Aktionskreis befinden.

- **Kinder:** eine Automatisierungsanlage gewährleistet ein hohes Sicherheitsniveau, da aufgrund ihrer Regelsysteme keine Bewegung stattfinden wird, wenn Personen oder Gegenstände vorhanden sind, was eine immer vorhersehbare und sichere Aktivierung gewährleistet. Aus Vorsicht ist es aber immer besser, Kindern das Spielen in der Nähe der Automatisierung zu verbieten und die Fernbedienungen nicht in ihrer Reichweite zu lassen: **die Automatisierung ist kein Spielzeug!**
- **Störungen.** Schalten Sie die Stromversorgung zur Anlage ab, sobald Sie ein nicht normales Verhalten der Automatisierung bemerken, und entriegeln Sie das Tor von Hand. Versuchen Sie nicht, selbst Reparaturen auszuführen, überlassen Sie diese Ihrem Vertrauensinstallateur: in der Zwischenzeit, nachdem Sie den Toröffner wie später beschrieben entriegelt haben, kann die Anlage wie ein nicht automatisiertes Tor funktionieren.
- **Wartung.** Wie jedes Gerät bedarf Ihre Automatisierung einer regelmäßigen Wartung, damit sie so lange wie möglich und vollkommen sicher funktionieren kann. Vereinbaren Sie mit Ihrem Installateur einen Wartungsplan mit periodischer Häufigkeit; Nice empfiehlt bei normalem Gebrauch im Haushalt eine Wartung alle 6 Monate, diese Zeit kann sich aber je nach Verwendung ändern.
Kontrollen, Wartungs- und Reparaturarbeiten dürfen nur von Fachpersonal ausgeführt werden.
- Auch wenn Sie nach Ihrer Meinung wissen, wie man es macht, sollten Sie Änderungen der Anlage und der programmierten Parameter und Regelungen der Automatisierung unterlassen: diese Verantwortung steht Ihrem Installateur zu.
- Die Endprüfung, die regelmäßigen Wartungen und die eventuellen Reparaturen müssen vom Ausführenden dokumentiert sein, und diese Dokumente muss der Eigentümer der Anlage aufbewahren.
- **Entsorgung.** Versichern Sie sich, dass die Automatisierung am Ende ihrer Lebensdauer von Fachpersonal abgerüstet wird und dass die Werkstoffe gemäß den örtlich gültigen Vorschriften rückgewonnen oder entsorgt werden.
- **Sollte die Automatisierung beschädigt oder nicht mit Strom versorgt sein,** warten Sie auf den Eingriff Ihres Installateurs (oder bis der Strom wieder vorhanden ist, falls die Anlage keine Pufferbatterie hat). Sie können Ihr Tor trotzdem öffnen, wie wenn es ohne Automatisierung wäre. Dazu müssen Sie den Toröffner entriegeln. Die Entriegelungsvorrichtung, die als einziges Teil der Automatisierung vom Benutzer selbst betätigt werden kann, wird von Nice mit besonderer Sorgfalt hergestellt, da wir Ihnen immer einfachste Betätigung ohne Gebrauch von Werkzeugen oder körperlichen Anstrengungen gewährleisten wollen.



1. Den Kugelgriff nach unten ziehen und in Position 1 bringen.
2. Das Tor von Hand betätigen.

⚠ Die manuelle Betätigung darf ausschließlich bei stehendem Tor ausgeführt werden.

Wichtig: falls Ihre Anlage mit einer Fernbedienung ausgestattet ist, die nach einiger Zeit schlechter oder gar nicht funktioniert, so könnte das einfach von der Batterie abhängen (je nach Batterietyp, kann dies nach mehreren Monaten, sogar nach zwei oder drei Jahren der Fall sein). Dass die Batterie fast leer ist, werden Sie am Bestätigungsleuchtmelder merken, der immer weniger oder nur ganz kurz aufleuchtet. Versuchen Sie, die Batterie mit der eines anderen, funktionierenden Senders auszutauschen, bevor Sie sich an Ihren Installateur wenden: es genügt gegebenenfalls, die Batterie mit einer gleichen Typs auszutauschen.

Sind Sie zufrieden? Wenden Sie sich an den gleichen Installateur und an Nice, falls Sie eine weitere Automatisierung in Ihr Haus einbauen wollen – Sie werden sich dadurch die Beratung eines Fachmanns und die hoch entwickeltesten Produkte auf dem Markt zusichern, neben optimalem Betrieb und maximaler Kompatibilität der verschiedenen Automatisierungen.

Wir danken Ihnen, dass Sie diese Ratschläge gelesen haben und wünschen Ihnen maximale Zufriedenheit mit Ihrer neuen Anlage: für jeden gegenwärtigen oder zukünftigen Bedarf können Sie sich mit Vertrauen an Ihren Installateur wenden.

Sumo

Índice:	pág.	pág.
1 Descripción del producto	34	4 Maniobra manual de desbloqueo 37
2 Instalación	34	5 Ensayo 37
2.1 Controles preliminares	34	6 Mantenimiento 37
2.2 Instalación típica	34	6.1 Desguace 37
2.3 Sujeción de SUMO (instalación clásica)	35	7 Características técnicas 38
2.4 Sujeción de SUMO con cadena vertical	35	Instrucciones y advertencias destinadas al usuario del motorreductor SUMO 39
2.5 Sujeción de SUMO con cadena horizontal	35	
2.6 Conexiones eléctricas	36	
3 Instalación del desbloqueo	36	

ES

Advertencias importantes

Nice les agradece por haber elegido este producto y les invita a leer con mucha atención estas páginas.

Para simplificar el uso de estas instrucciones, hemos tratado de compaginarlas respetando el orden con que se deben ejecutar las diferentes etapas de instalación del equipo. Es necesario leer con atención las instrucciones y el fascículo adjunto "Advertencias para el instalador" antes de proceder con la instalación, puesto que suministran indicaciones importantes acerca de la seguridad, instalación, uso y mantenimiento.

Todo aquello que no está previsto expresamente en estas instrucciones no está permitido; en efecto, usos no indicados en las instrucciones podrían ser fuentes de averías para el producto y poner en peligro las personas o cosas. Nice no se asume ninguna responsabilidad por la inobservancia de la buena técnica en la fabricación de las puertas seccionales, o por deformaciones que se podrían producir durante el uso.

Este producto ha sido diseñado y fabricado para automatizar puertas que se pueden abrir manualmente y que estén bien equilibradas; por ello, la puerta se debe poder abrir completamente con una fuerza inferior a 300N (30 kg) y detenerse en cualquier posición; accionado el desbloqueo, no debe tender a bajar o subir.

No instale el producto en lugares con riesgo de explosión.

1) Descripción del producto

SUMO es un actuador electromecánico para la automatización de puertas seccionales y de correderas de dos hojas (**figs. 3-11**).

Gracias al árbol hueco de salida permite una conexión fácil al árbol portamuellos de la mayoría de las puertas seccionales que se encuentran en comercio. La central A924, además de alimentar el motor de corriente continua equipado con encoder, permite una regulación ideal del par y de la velocidad del motorreductor, una

medición exacta de las cotas, el arranque y el cierre graduales, y la detección de un obstáculo. Además, está equipada con un indicador luminoso de mantenimiento que permite memorizar las maniobras que el motorreductor ejecuta durante toda su vida útil.

El desbloqueo, que se acciona desde el piso, desconecta el motor del cuerpo del reductor.

2) Instalación

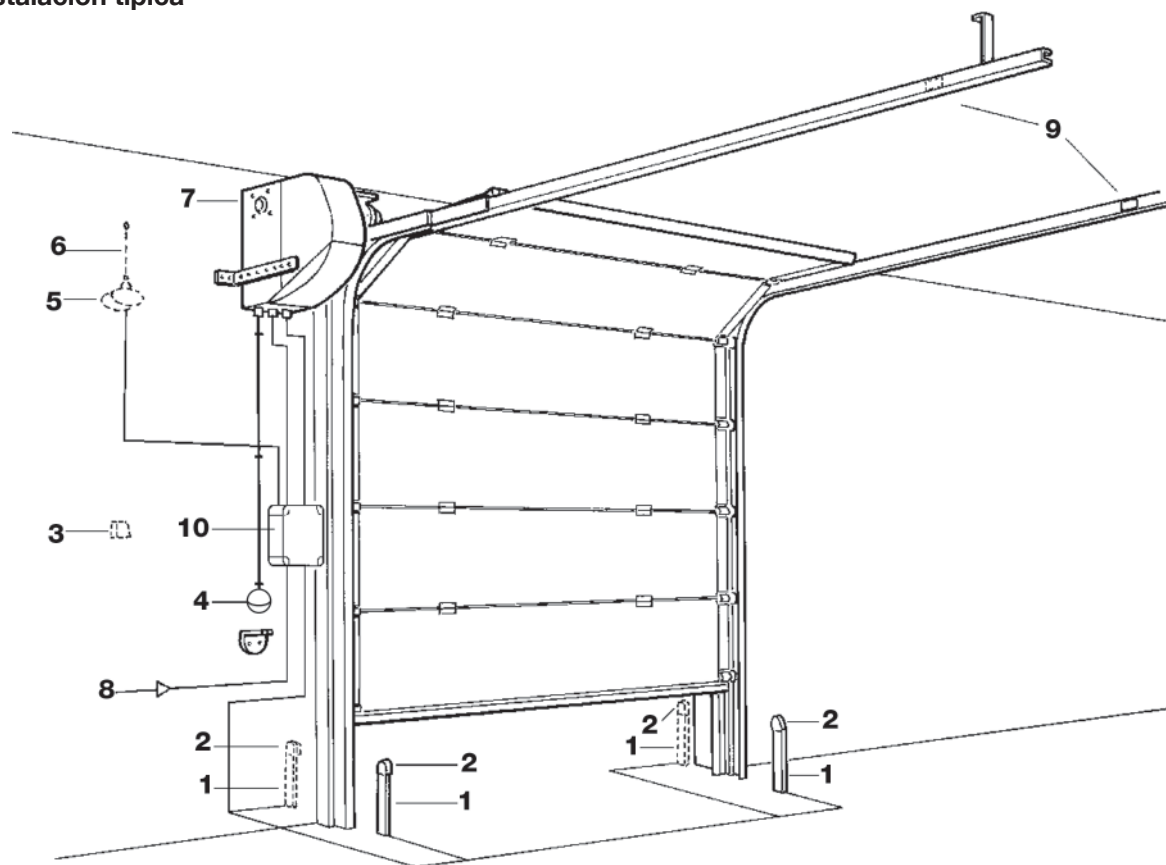
2.1) Controles preliminares

Antes de proceder con cualquier motorización, controle que la estructura sea adecuada, es decir, conforme a las normas vigentes; controle especialmente que: la puerta no tenga puntos de fricción tanto durante el cierre como durante la apertura; el movimiento de la puerta no requiera una fuerza superior a 300N (30 kg); la puerta esté bien equilibrada, es decir que al detenerse en cualquier posición, no tienda a moverse; el movimiento de la puerta sea silencioso, regular y no se bambolee;

la zona en donde se fijará el motorreductor permita una maniobra manual de desbloqueo fácil y segura; recuerde que SUMO debe motorizar una puerta (seccional o de dos hojas) eficiente y segura y no compensa defectos causados por una instalación incorrecta o por un mantenimiento mal hecho; el paquete esté íntegro, refiérase a la **fig. 1**; la zona de sujeción sea compatible con las dimensiones del motorreductor, refiérase a la **fig. 2**.

La **fig. 3** muestra una instalación típica de SUMO.

2.2) Instalación típica



1. Columna
2. Fococélula
3. Selector de llave o teclado digital
4. Tirador de desbloqueo
5. Luz intermitente

6. Antena
7. SUMO
8. Línea de alimentación
9. Topes mecánicos de carrera
10. Central A924

2.3) Sujeción de SUMO (instalación clásica)*

1. Desenrosque con un destornillador cruciforme los 3 tornillos de la tapa y quítela (**fig. 4**).
2. Haga pasar el cable a través del racor para cable (**fig. 5**).
3. Rompa las dos tapitas de aluminio y conecte los dos racores para cable (21) (**fig. 6**).
- 4a. Baje con una mano la palanca de desbloqueo (5).
- 4b. Bloquee la palanca con el pestillo (14) (**fig. 7**); 5.
Tras haber escogido el lado en donde instalar el motorreductor, siguiendo lo indicado en los controles preliminares, introduzca SUMO en el árbol portamuelles, haciendo coincidir las dos ranuras. Conecte la lengüeta (31) haciéndola sobresalir de SUMO la distancia necesaria para bloquearla con la abrazadera (no suministrada) (**fig. 8**).
6. Apoye a la pared el estribo de sujeción (41) eligiendo el taladro más adecuado para mantener SUMO paralelo a la pared. Fije el estribo a SUMO con un tornillo (54) (**fig. 9**).
7. Taladre la pared en correspondencia de los taladros del estribo y fíjelo a la pared (para esta operación, lea los siguientes consejos para la sujeción).
8. Sostenga con una mano la palanca de desbloqueo, abra el pestillo, y acompañe la palanca hacia la posición inicial.

* para la versión SU2010 lea el cap. 3 "Instalación del desbloqueo".

▲ Consejos para la sujeción (fig. 9a)

Sujeción sobre acero: si se debe fijar el estribo al perfil de acero es suficiente un perno M8 clase 6, 8 o M8 A2-50.

Sujeción sobre hormigón: tacos de expansión con tornillos M8 tipo HILTI HST-R-M8 h: 100 mm (grosor mínimo de la pared) h1: 55 mm (profundidad del taladro) Tinst: 25 Nm (par de torsión) df: 9 mm (diámetro del agujero pasante) Sw: 13 mm (tipo de llave)

Si la pared fuera de un material diferente de aquellos mencionados (mampostería, madera, plástico, etc.) el instalador deberá evaluar el tipo de sujeción más adecuada, sabiendo que el sistema de sujeción debe soportar un esfuerzo de tracción de 1000N (100 kg).

2.4) Sujeción de SUMO con cadena vertical

Instalación para aplicaciones especiales.

Este tipo de sujeción es necesaria si:

- en los controles preliminares ha comprobado que las medidas del reductor imposibilitan la instalación clásica;
- en los controles preliminares ha comprobado que no se logra realizar la maniobra de desbloqueo fácilmente y de manera segura;
- Ud. desea aumentar el par transmitido con otra reducción (consulte el fabricante de la puerta seccional para saber si la puerta ha sido diseñada para soportar el par deseado).

Para realizar este tipo de instalación, NICE ofrece los siguientes accesorios:

CRA1 (árbol con piñón Z = 18)

CRA6 (corona Z = 18)

CRA7 (corona Z = 18)

CRA8 (estribos de sujeción a la pared)

CRA2, CRA3, CRA4 (cantidad suficiente de cadena)

Para una transmisión simple del movimiento (relación 1:1) utilice: CRA1-CRA7.

Para una reducción del movimiento (relación 1:2) utilice: CRA1-CRA6
Consulte la **fig. 10** para ver un ejemplo de instalación.

- Mantenga la cadena floja antes de fijar SUMO a la pared, porque en caso contrario, al concluir la sujeción, la cadena podría quedar muy tensa.
- Una vez fijados los estribos a la pared, los taladros permiten regular la posición de SUMO, de manera que la cadena quede ligeramente tensa. Apriete los tornillos para completar la sujeción.
- Asegúrese de que el piñón y la corona queden sobre el mismo plano.
- La cadena debe quedar a 2,4 m del piso como mínimo y, de todas maneras, no debe ser posible tocarla con las manos; en caso contrario, protéjala con un cárter.

▲ **Controle que el árbol sobre el que debe engranar la corona sea bastante rígido, es decir, que si se lo somete a 4000N (400 kg) no se flexione más de 2 mm. En caso contrario, refuércelo adecuadamente.**

2.5) Sujeción de SUMO con cadena horizontal

Instalación en puertas de corredera de dos hojas.

La **fig. 11** muestra un ejemplo de instalación para motorizar dos hojas de correderas.

Para realizar esta instalación, NICE ofrece los siguientes accesorios:

CRA1 (árbol con piñón Z = 18)

CRA5 (tensor de cadena)

CRA8 (estribos de sujeción a la pared)

CRA2, CRA3, CRA4 (cantidad suficiente de cadena)

Refiérase al párrafo anterior para las precauciones a adoptar.

2.6) Conexiones eléctricas

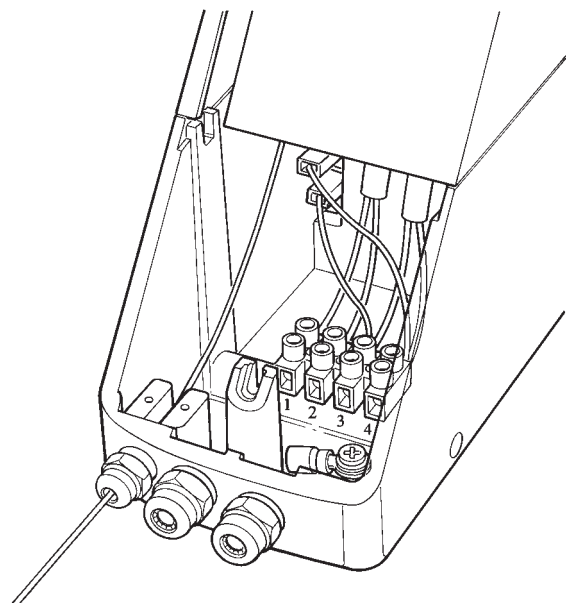
⚠ Durante esta operación, la central no debe estar alimentada.

Introduzca el cable de alimentación en el racor para cable central y el cable del encoder en el racor de la derecha. Conecte el cable de alimentación tripolar (3x2,5)* con los tornillos 1 - 2 al terminal aislado para la conexión a tierra. Conecte el cable bipolar (2x0,75) con los tornillos 3 - 4 (encoder).

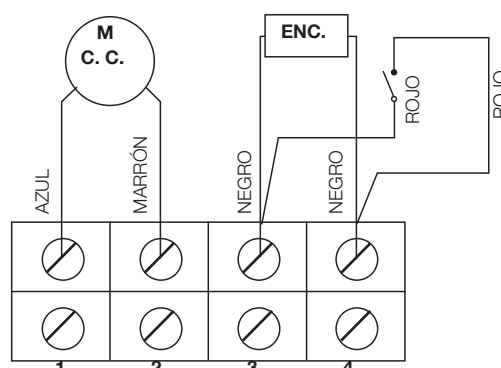
Apriete el racor para que los cables no se puedan desconectar de la regleta de conexiones (refiérase a las **figs. 12-12a**).

Cierre SUMO enroscando con un destornillador cruciforme los 3 tornillos de la tapa.

* Si el cable mide más de 10 m, use uno de 4 mm² de sección.



12



12a

3) Instalación del desbloqueo

Instalación del desbloqueo para el modelo SU2000

Desenrolle por la pared el cordel (L máx. 6,5 m) haciéndolo pasar, si fuera necesario, por las argollas (no suministradas). Perfore y fije a la pared, a 80 mm del extremo del cordel, la placa de enganche del tirador (42) para el desbloqueo desde el piso (**Fig. 13**).

Instalación del desbloqueo manual para el modelo SU2010

Se aconseja dividir en dos etapas el montaje del sistema de desbloqueo. Para mayor comodidad, es mejor efectuar la primera etapa desde el piso y la segunda después de haber montado la automatización.

Procedimiento:

Primera etapa:

1. Quite el capuchón del extremo de la vaina.
2. Desenrosque con un destornillador de estrella los 3 tornillos (47- 48) que fijan la tapa (3) y quítela.
3. Baje la palanca de desbloqueo (5) y bloquéela con el pestillo (14).
4. Desenrosque la protección del PG7 (22) e introduzca la vaina del lado sin capuchón, hasta que haga tope.
5. Introduzca en la vaina, del lado del capuchón, el cable metálico.
6. Enrosque el dispositivo de bloqueo de la vaina (7) con los tornillos (46) (**Fig. 14**).

7. Introduzca el cable de acero a través de la ranura más externa de la palanca de desbloqueo (5). Bloquee con el sujetador el extremo del cable, asegurándose de que no se salga, incluso dando un tirón fuerte (**Fig. 15**).

Segunda etapa:

1. Abra el pestillo (14) y acompañe la palanca de desbloqueo (5) hacia la posición inicial.
2. Cierre la tapa (3).
3. Desenrolle la vaina (L máx. 6,5 m) por la pared haciendo que su trayectoria sea lineal, para que el cable metálico puede correr fácilmente por su interior.
4. Introduzca el sujetador (69) en el cable metálico.
5. Conecte el tirador de desbloqueo (43) al cable metálico; si fuera necesario, corte la parte de cable excedente.
6. Regule la altura de sujeción del sujetador y desbloquee (**fig. 16a**). Si fuera necesario, corrija la posición del sujetador para que SUMO quede desbloqueado cuando el tirador se encuentre en la posición 1.

4) Maniobra manual o desbloqueo

Modelos SU2000 - SU2010

Tire del tirador hacia abajo, colocándolo en posición 1.
Abra o cierre manualmente la puerta (**Figs. 16 - 16a**)

El desbloqueo se debe hacer sólo con la puerta detenida.
Para las operaciones de programación y regulación del par a prueba de aplastamiento, véanse las instrucciones de la central A924.

5) Ensayo

El ensayo de toda la instalación tiene que ser efectuado por personal experto y cualificado, que deberá hacerse cargo de los ensayos requeridos, según el riesgo presente.

Para probar SUMO, siga este procedimiento:

- cierre la puerta;
- corte la alimentación a la central;
- desbloquee el motorreductor;
- controle que la carrera de deslizamiento sea perfecta y no tenga puntos de fricción;
- abra con la mano la puerta completamente, asegurándose de ejercer un esfuerzo siempre inferior a 300N (30 kg);
- controle que la puerta durante el movimiento no tenga puntos de fricción;
- controle que la puerta seccional, detenida en cualquier posición y desbloqueada, no tienda a bajar ni a subir;
- controle que los sistemas de seguridad y los topes mecánicos estén en buenas condiciones;
- controle que las conexiones de tornillo estén bien apretadas;
- controle que la tensión de la cadena y su deslizamiento sean correctos, si fuera necesario, lubríquela.
- concluya los controles bloqueando nuevamente el motorreductor y conectando la central;
- regule la fuerza del actuador (desde la central electrónica) de manera que logre mover sólo la puerta;
- mida la fuerza de impacto, como previsto por las normativas EN 12453 y EN 12445.

6) Mantenimiento

La central de mando A924 está equipada con un indicador luminoso de mantenimiento (para mayores informaciones, véase el manual de instrucciones de la central eléctrica A924), que advierte que es necesario efectuar el mantenimiento programado de la instalación. Un mantenimiento regular no sólo garantiza una mayor duración,

sino que también asegura un funcionamiento correcto y seguro del sistema.

Sólo personal cualificado puede llevar a cabo el mantenimiento.

El mantenimiento consiste en repetir el procedimiento de ensayo.

6.1) Desguace

SUMO está formado de varios tipos de materiales. El desguace de dichos materiales se debe efectuar respetando las normas locales vigentes. En el caso de desguace de la automatización, no existen peligros o riesgos particulares causados por la misma automatización.

Si se debe realizar una recogida selectiva, es oportuno separar los materiales por tipo (piezas eléctricas, aluminio, plástico, etc.).

7) Caratteristiche tecniche

SUMO 2000 - 2000V - 2000VV

Motorreductor irreversible de 24Vcc con encoder, con desbloqueo local y con cordel.

SUMO 2010

Motorreductor irreversible de 24Vcc con encoder, con desbloqueo local y con vaina.

		SU2000	SU2010	SU2000V	SU2000VV
Alimentación	(Vdc)	15 ÷ 36			
Absorción del motor	(Adc)	13			
Potencia absorbida	(W)	500			
Grado de protección	(IP)	44	54	44	
Par	(Nm)	120		82	46
Velocidad	(rpm)	7.5 ÷ 16 (6)*		11 ÷ 23.5 (9)*	19.5 ÷ 42 (15)*
Superficie máx. de la puerta	(m ²)	35		25	15
Temp. de servicio	(°C Min/Max)	-20°÷50°			
Clase de aislamiento		B			
Ciclos de trabajo	(%)	50			
Peso	(kg)	10.5			
Agujero	(mm)	25.5			

* El valor entre paréntesis se obtiene durante la deceleración con la central A924.



Sumo

ES

Instrucciones y advertencias destinadas al usuario del motorreductor SUMO

¡**Felicitaciones** por haber elegido un producto de automatización Nice!

Nice S.p.A. fabrica componentes para la automatización de cancelas, puertas, persianas y toldos: motorreductores, centrales de mando, radiomandos, luces intermitentes, fotocélulas y accesorios.

Nice emplea sólo materiales de calidad y, es su vocación buscar soluciones innovadoras que simplifiquen al máximo el empleo de sus aparatos, con soluciones técnicas, estéticas y ergonómicas muy estudiadas: en la vasta gama de productos Nice, su instalador habrá elegido sin dudas el producto más adecuado a sus exigencias.

Sin embargo, Nice no es el fabricante de su automatización, que en cambio es una obra de análisis, elección de los materiales y realización de la sistema realizada por su instalador de confianza.

Cada automatización es única y sólo su instalador posee la experiencia y profesionalidad necesarias para ejecutar una instalación según sus exigencias, segura y confiable en el tiempo, y, sobre todo, según las reglas del arte, de acuerdo con las normativas vigentes.

Una instalación de automatización es una comodidad además de un sistema de seguridad válido y, con pocas y simples soluciones, está destinada a durar por mucho tiempo.

Aunque si su automatización cumple con el nivel de seguridad requerido por las normas, no queda excluida la posibilidad de un "riesgo residual", es decir, la posibilidad de que se puedan producir situaciones peligrosas, causadas generalmente por un uso inconsciente o incorrecto; por dicho motivo, deseamos darle algunos consejos sobre el comportamiento que hay que tener para evitar inconvenientes:

- **Antes de usar por primera vez la automatización**, pida explicaciones al instalador sobre el origen de los riesgos residuales, y dedique algunos minutos a la lectura del **manual de instrucciones y advertencias para el usuario** que le ha entregado el instalador. Conserve el manual para cualquier duda que pueda tener en un futuro y para entregarlo junto con la automatización en caso de reventa.
- **Su automatización es una máquina que sigue fielmente sus mandos**; un uso inconsciente e inadecuado puede volverla peligrosa: no accione el movimiento de la automatización si en su radio de acción hay personas, animales o cosas.

- **Niños:** una instalación de automatización garantiza un elevado grado de seguridad, impidiendo, con sus sistemas de detección, el movimiento ante la presencia de personas o cosas, así garantizando una activación siempre previsible y segura. De todas maneras, es prudente prohibir a los niños jugar cerca de la automatización y, para evitar activaciones involuntarias, no deje el control remoto al alcance de ellos:

¡no es un juguete!

- **Irregularidades.** Ni bien note algún comportamiento irregular de la automatización, corte la alimentación eléctrica de la instalación y realice el desbloqueo manual. No intente repararla por su cuenta, sino que contacte a su instalador de confianza: Mientras tanto, la instalación puede funcionar como una puerta no automatizada cuando se desbloquea el motorreductor como descrito más adelante.

- **Mantenimiento.** Como toda maquinaria, su automatización requiere un mantenimiento periódico para que pueda funcionar por el mayor tiempo posible y con total seguridad. Estipule con su instalador un plan de mantenimiento periódico; Nice le aconseja realizar un mantenimiento cada 6 meses para un uso residencial normal, pero este período puede variar de acuerdo con la intensidad de uso.

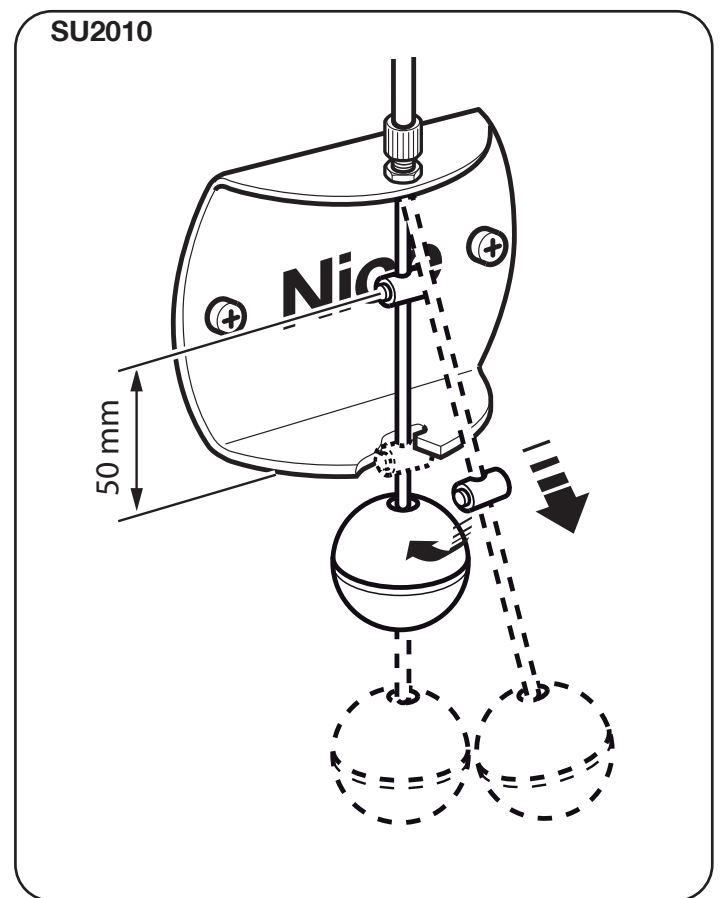
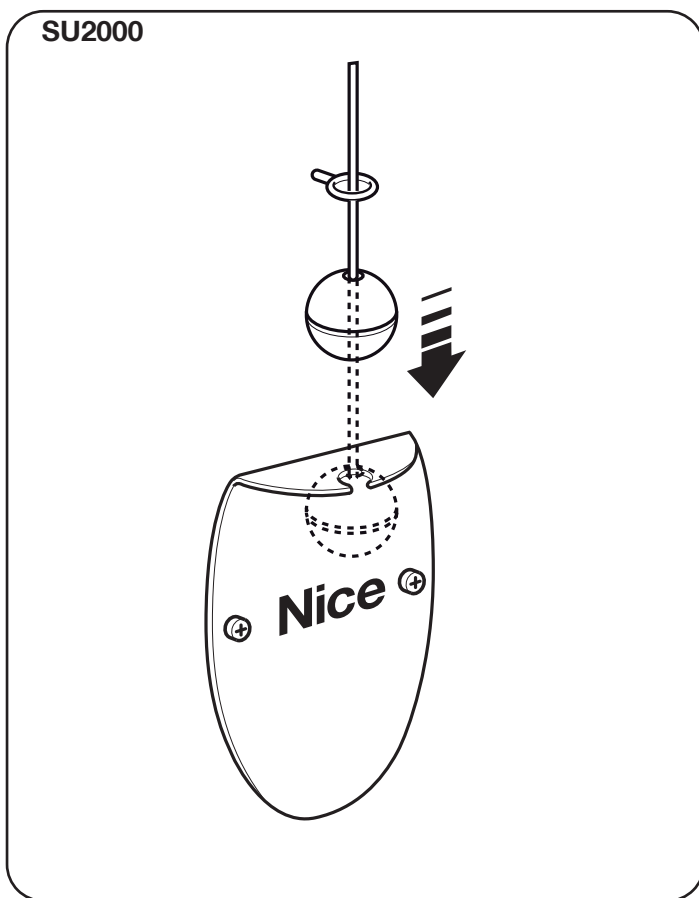
Cualquier trabajo de control, mantenimiento o reparación debe ser llevado a cabo por personal cualificado.

- Aunque si Ud. considera que lo sabe hacer, no modifique la instalación ni los parámetros de programación y regulación de la automatización: la responsabilidad es de su instalador.

- El ensayo final, los trabajos de mantenimiento periódicos y las posibles reparaciones tienen que ser documentados por quien los efectúa y dichos documentos deben quedar en poder del dueño de la instalación.

- **Desguace.** Al final de la vida útil de la automatización, asegúrese de que el desguace sea efectuado por personal cualificado y que los materiales sean reciclados o eliminados de acuerdo con las normas locales vigentes.

- **En caso de roturas o falta de alimentación.** Mientras espera que llegue el instalador (o retorne la energía eléctrica, si la instalación no está equipada con baterías compensadoras), la instalación se puede accionar como una puerta no automatizada. A tal fin, es necesario realizar el desbloqueo manual; dicha operación, que es la única que puede ser efectuada por el usuario de la automatización, ha sido estudiada profundamente por Nice para asegurarle siempre un uso fácil, sin necesidad de herramientas o esfuerzos físicos.



1. Tire del tirador hacia abajo, colocándolo en posición 1.
2. Abra o cierre manualmente la puerta.

⚠ El desbloqueo se debe hacer sólo con la puerta detenida.

Importante: si su instalación está equipada con un radiomando que, transcurrido un cierto tiempo, le parece que no funcionara correctamente, o que directamente no funciona, podría ser que la pila esté agotada (pueden pasar desde varios meses hasta dos o tres años según el tipo de pila). Ud. podrá darse cuenta de que la batería está agotada porque la luz del indicador luminoso de confirmación de la transmisión es débil, no se enciende, o se enciende por poco tiempo. Antes de contactar al instalador, pruebe a cambiar la pila con la de otro transmisor que funcione; si el problema fuera este, sustituya la pila con otra del mismo tipo.

¿Está Ud. satisfecho? Si desea instalar en su casa un sistema de automatización nuevo, diríjase al instalador y a Nice: tendrá la garantía de recibir el asesoramiento de un especialista y los productos más modernos del mercado, el mejor funcionamiento y la máxima compatibilidad de las automatizaciones.

Le agradecemos por haber leído estas recomendaciones y esperamos que Ud. esté satisfecho de su nueva instalación: ante cualquier necesidad, diríjase a su instalador de confianza.

Sumo

Spis:	pag.	pag.
1	Opis produktu	42
2	Instalowanie	42
2.1	Kontrola wstępna	42
2.2	Urządzenie typowe	42
2.3	Mocowanie Sumo (instalowanie standardowe)	43
2.4	Mocowanie Sumo z łańcuchem pionowym	43
2.5	Mocowanie Sumo z łańcuchem poziomym	43
2.6	Połączenia elektryczne	44
3	Instalowanie odblokady	44
4	Działanie ręczne i odblokada	45
5	Próby odbiorcze	45
6	Czynności konserwacyjne	45
6.1	Zbyt	45
7	Dane techniczne	46
	Instrukcje i ostrzeżenia dla użytkownika motoreduktora SUMO	47

PL

Uwagi ważne:

Gratulujemy wyboru produktu i zapraszamy do uważnego przeczytania poniższych instrukcji.

Aby ułatwić czytelnikowi użytkowanie niniejszej instrukcji została ona napisana według kolejności faz instalowania urządzenia. Przed przystąpieniem do czynności instalowania, należy uważnie przeczytać instrukcje i załączoną broszurkę: "Uwagi dla instalatora", ponieważ dostarczają ważnych wskazówek związanych z bezpieczeństwem, instalowaniem, użytkowaniem i czynnościami konserwacyjnymi.

Wszystko to, co nie jest przewidziane w poniższych instrukcjach jest niedozwolone.

Szczególnie, użytkowanie niewskazane w poniższych instrukcjach może stać się przyczyną spowodowania szkód w produkcie i stworzyć sytuacje niebezpieczne dla osób i rzeczy.

Nice nie bierze na siebie odpowiedzialności za brak przestrzegania profesjonalności w wykonaniu bram segmentowych oraz za deformacje, które mogłyby powstać podczas użytkowania.

Produkt ten został zaprojektowany i wykonany do automatyzacji dobrze wyważonych bram, które można otworzyć nawet ręcznie. Dlatego też bramy powinny się otwierać na całą szerokość z siłą mniejszą niż 300N (30kg) i zatrzymanie jej w jakiegokolwiek pozycji, przy wyłączeniu blokady, nie powinno jej w żadnym stopniu podnieść czy obniżyć.

Nie wolno instalować w pomieszczeniu z zagrożeniem wybuchu.

1) Opis produktu

SUMO jest akuatorem elektromechanicznym do automatyzacji bram segmentowych i przesuwnych dwuskrzydłowych (fig. 3-11). Jest łatwy do połączenia z wałem nośnym sprężyn, jako że posiada wał wyjścia przewodu, bram segmentowych szeroko spotykanych w handlu. Centrala A924, oprócz zasilania silnika w prąd stały z enkoderem, służy do optymalnej regulacji momentu i prędkości motoreduktora, właściwego odczytu wartości, startu i zamykania stopniowego, odczytu przeszkody. Oprócz tego wyposażone jest w światelko ostrzegawcze o konieczności

wykonania czynności konserwacyjnych, regulacji ruchów wykonywanych przez motoreduktor podczas jego pracy mechanicznej. Funkcję odblokady można łatwo uaktywnić nawet w stojącej pozycji, wyłącza ona silnik korpusu reduktora.

2) Instalowanie

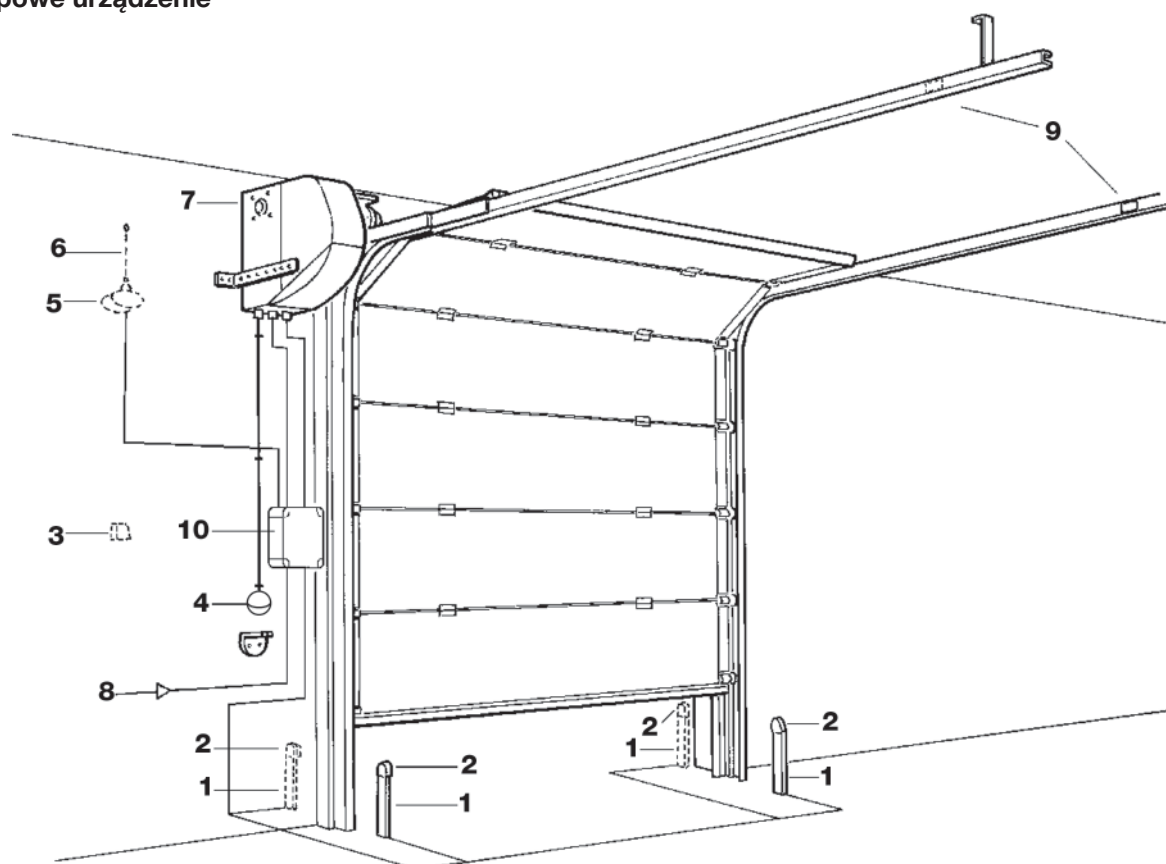
2.1) Wstępna kontrola

Przed przystąpieniem do wykonywania jakiejkolwiek czynności należy sprawdzić, czy struktura jest odpowiednia, to znaczy czy jest zgodna z aktualnymi normami. Należy przede wszystkim sprawdzić: czy brama nie ma punktów tarcia podczas otwierania i zamykania; czy ruch bramy nie wymaga siły wyższej niż 300N (30kg); czy brama jest dobrze wyważona, to znaczy, gdy zostanie zatrzymana w jakiegokolwiek pozycji nie porusza się; czy ruch bramy jest cichy i regularny i nie wychodzi ona z linii; czy miejsce przeznaczone na zainstalowanie motoreduktora jest wystarczające na wykonanie ruchu odblokady w łatwy i bezpieczny sposób;

przypominamy, że SUMO służy, w sposób pewny i skuteczny, do napędu bram (segmentowych jedno-lub dwuskrzydłowych) niewłaściwe działanie może być tylko spowodowane złym zainstalowaniem lub nieprawidłowymi czynnościami konserwacyjnymi; opakowanie powinno być w stanie nienaruszonym, według fig. 1; według fig. 2 sprawdzić czy miejsce przeznaczone na instalowanie jest odpowiednie do wymiarów motoreduktora.

Fig. 3 wskazuje urządzenie typowe motoreduktora.

2.2) Typowe urządzenie



- | | |
|-------------------------|----------------------------------|
| 1. Kolumnienka | 6. Antena |
| 2. Fotokomórka | 7. SUMO |
| 3. Selektor kluczowy | 8. Linia zasilająca |
| 4. Pokrętło odblokady | 9. Zatrzymania mechaniczne biegu |
| 5. Lampa sygnalizacyjna | 10. Centrala A924 |

2.3) Mocowanie SUMO (instalowanie standardowe)*

1. Odkręcić śrubokrętem krzyżowym 3 śruby ruchomej pokrywki i ją ściągnąć (**fig. 4**).
 2. Przeciągnąć linkę poprzez zacisk przewodu (**fig. 5**).
 3. Wyważyć dwie ścianki aluminiowe i podłączyć dwa zaciski przewodów (21) (**fig. 6**).
 - 4a. Obniżyć jedną ręką dźwignię odblokady (5).
 - 4b. Zablokować dźwignię zasuwą (14). (**fig. 7**).
 5. Po określeniu strony, po której będzie instalowany motoreduktor, kierując się tym, co zostało przedstawione przy wstępnej kontroli, założyć SUMO do wału nośnego sprężyny dostosowując do siebie dwa wyłobienia. Założyć klin (31), który ma wystawać z SUMO tyle, aby można było go zablokować opaską (nie jest dostarczana) (**fig. 8**).
 6. Przyłożyć do ściany część do przymocowania (41), wybierając odpowiedni otwór do przykręcenia SUMO do ściany, przykręcić część SUMO śrubą (54) (**fig. 9**).
 7. Wywiercić otwór w ścianie odpowiednio do otworów w części (do wykonania tej czynności zapoznać się z poleceniami związanymi z przykręcaniem do ściany).
 8. Przytrzymać ręką dźwignię odblokady i otworzyć zasuwę, ustawić ją w początkowej pozycji.
- * do czynności z SU2010 przeczytać rozdział 3 "Instalowanie odblokady".

⚠ Uwagi związane z przykręcaniem (fig. 9a)

Przykręcanie do stali:

Gdy zajdzie konieczność przykręcenia części mocującej do profilu stalowego należy zastosować śruby M8 klasa 6,8 lub M8 A2-50.

Przykręcanie do betonu:

Kołek rozporowy M8 typu HILTI HST-R-M8 h: 100mm (minimalna grubość ściany) h1: 55mm (głębokość otworu) Tinst: 25Nm (moment przykręcenia) df: 9mm (średnica otworu) Sw: 13mm (typ klucza)

W przypadku innych ścian od wyżej wymienionych (murowana, drewniana, plastikowa, itp.) instalator ma wybrać sposób mocowania, zwracając uwagę na to, że system mocowania może wytrzymać siłę trakcji równą 1000N (100kg).

2.4) Mocowanie Sumo z pionowym łańcuchem

Instalowanie w specjalnych zastosowaniach.

Instalowanie ta jest niezbędne gdy :

- podczas kontroli wstępnej stwierdzono, że wymiary całkowite reduktora uniemożliwiają zainstalowanie standardowe,
- podczas kontroli wstępnej stwierdzono brak łatwego i bezpiecznego dojścia i wykonania ruchu odblokady;
- niezbędne jest zwiększenie momentu nadanego z dodatkową redukcją (Należy skonsultować się z konstruktorem czy brama jest dostosowana do wytrzymania żądanego momentu).

Do czynności instalowania NICE oferuje następujące akcesoria:

CRA1 (wał z kołem zębaty Z = 18)

CRA6 (koronka Z = 36)

CRA7 (koronka Z = 18)

CRA8 (części mocujące do przykręcenia do ściany)

CRA2, CRA3, CRA4(odpowiednia ilość łańcucha)

Do prostej przekładni napędu (Ratio 1:1) zastosować: CRA1-CRA7

Do redukcji napędu (Ratio 1:2) zastosować: CRA1-CRA6

Zapoznać się z **fig. 10** jako przykład instalowania.

- Przed mocowaniem SUMO do ściany trzymać luźno łańcuch; inaczej po przykręceniu łańcuch mógłby być za bardzo napięty.
- Po mocowaniu części do ściany można wyregulować pozycję SUMO w taki sposób aby napiąć łańcuch. Dokręcić śruby.
- Sprawdzić czy koło zębate i korona znajdują się na tym samym poziomie
- Łańcuch musi znajdować się na wysokości 2,4m od ziemi i nie może być w zasięgu ręki, w innym przypadku należy zabezpieczyć go skrzynią.

⚠ **Sprawdzić czy wał, na którym zaklinuje się koronka jest wystarczająco sztywny na zgięcie i gdy będzie poddany sile 4000N (400kg) nie zgina się więcej niż 2mm. W innym przypadku należy go odpowiednio usztywnić !**

2.5) Przykręcanie SUMO poziomym łańcuchem.

Instalowanie na drzwiach przesuwnych dwuskrzydłowych.

Fig. 11 przedstawia przykład instalowania do napędu dwóch skrzydeł przesuwnych.

Aby wykonać to instalowanie NICE proponuje następujące akcesoria:

CRA1 (wał z kołem zębatym= 18)

CRA5 (przekładnia do naciągania łańcucha)

CRA8 (skrzynki do przykręcenia do ściany)

CRA2, CRA3, CRA4(odpowiednią ilość łańcucha)

Zapoznać się z figurą jako przykładem instalowania

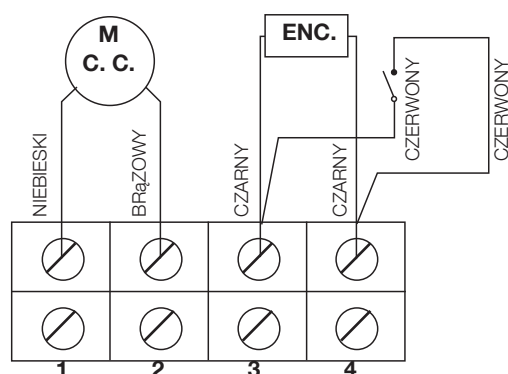
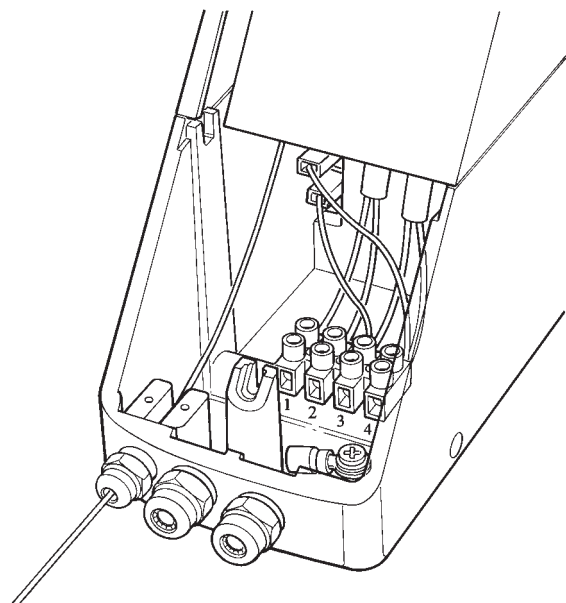
2.6) Połączenia elektryczne

⚠ Podczas tej czynności centrala musi być odłączona od zasilania sieciowego.

Wsunąć przewód zasilający i przewód enkodera do zacisków w centrali, do części prawej. Podłączyć przewód zasilania trójfazowego (3x2,5)* śrubami: 1 - 2 przewodowy do końcówki z osłoną do podłączenia do uziemienia.

Podłączyć przewód zasilania dwufazowego (2x0,75) 3 - 4 przewodowy (enkoder). ścisnąć zacisk tak, aby przewody nie oderwały się od tabliczki zaciskowej (**kierować się fig. 12-12a**). Zamknąć SUMO i przykręcić śrubokrętem krzyżowym pokrywkę śrubami.

*Gdy przewód jest dłuższy niż 10m, należy zastosować przewód o przekroju 4mm²



3) Instalowanie odblokady

Instalowanie odblokady dla modelu SU2000

Odwinąć wzdłuż ściany linkę (L max. 6,5m), ewentualnie przeciągnąć przez oczka (nie są dostarczane). Na odległości 80 mm od końca linki przewiercić i przykręcić do ściany skrzynkę na uchwyt kulisty (42) do ręcznej naziemnej odblokady. (**Fig.13**)

Instalowanie odblokady ręcznej do modelu SU2010

Proponujemy, aby montaż systemu odblokady podzielić na dwie fazy. Ze względów praktycznych lepiej wykonać pierwszą fazę na ziemi, drugą po zamontowaniu automatyzmu.

Procedura:

Faza n°1

1. ściągnąć zaślepkę końcówki powłoki;
2. Odkręcić śrubokrętem krzyżowym śruby (47-48) pokrywy (3) i ściągnąć ją;
3. Obniżyć dźwignię odblokady (5) i zablokować zasuwką (14);
4. Odkręcić zaślepkę z PG7 (22) i założyć powłokę, po stronie bez zaślepki, do oporu.
5. Wsunąć linkę do powłoki, po stronie zaślepki.
6. Przykręcić blokadę powłoki (7) śrubami (46) (**Fig. 14**).
7. Wsunąć metalową linkę do otworu zewnętrznego dźwigni odblokady (5).

Zablokować zaciskiem blokującym końcówkę przewodu tak, aby nie wysunął się nawet po próbie jego oderwania (**Fig. 15**);

Faza n°2

1. Otworzyć zasuwkę (14), ustawić uchwyt odblokady (5) na początkowej pozycji;
2. Założyć pokrywkę (3);
3. Odwinąć powłokę (L max 6.5m) wzdłuż ściany liniowo w taki sposób, aby linka metalowa łatwo przesuwiała się wewnątrz;
4. Wsunąć zacisk (69) na linkę metalową;
5. Połączyć uchwyt kulisty odblokady (43) do liny metalowej, gdy jest to konieczne usunąć jej nadmierną część;
6. Wyregulować wysokość zacisku i odblokować (**fig. 16a**).

Ewentualnie poprawić pozycję zacisku tak, aby SUMO pozostał odblokowany, gdy uchwyt kulisty będzie znajdował się w pozycji 1.

4) Działanie ręczne i odblokada

Modele SU2000 - SU2010

Pociągnąć uchwyt kulisty w kierunku do dołu i ustawić w pozycji 1. Poruszyć bramę. (Fig. 16 - 16a)

Odblokada ma odbyć się tylko kiedy brama jest nieruchoma. Czynności programowania i regulacji momentu antyzgniczenia opisane są szczegółowo w instrukcjach centrali A924.

5) Próby odbiorcze

Próby odbiorcze ałego urządzenia mogą być wykonane tylko przez doświadczony i wykwalifikowany personel, który bierze za siebie odpowiedzialność pracy w sytuacji niebezpiecznej.

Próby odbiorcze SUMO należy wykonać według następującej kolejności:

- zamknąć bramę;
- wyłączyć napięcie centrali;
- odblokować motoreduktor;
- sprawdzić czy droga przesuwu jest czysta i wolna;
- otworzyć ręcznie bramę na cały zasięg i sprawdzić czy siła utrzymuje się poniżej 300N (30kg);
- sprawdzić czy brama podczas ruchu nie ma punktów tarcia;
- sprawdzić czy brama zatrzymana w którymkolwiek punkcie jest odblokowana, bez podnoszenia się lub obniżania;
- sprawdzić, czy systemy bezpieczeństwa i zatrzymanie mechaniczne są w dobrym stanie;
- sprawdzić czy śruby są dobrze dokręcone;
- o sprawdzić napięcie łańcucha, czy jego przesuw jest dobry i czy nie wymaga nasmarowania;
- po zakończeniu kontroli zablokować ponownie motoreduktor i podłączyć zasilanie centrali.
- wyregulować (z elektronicznej centrali) siłę aktuatora w taki sposób aby mógł poruszyć tylko i jedynie bramę.
- zmierzyć siłę uderzenia zgodnie z założeniami przewidzianymi w normach EN12445 i EN12453.

6) Czynności konserwacyjne

Centrala sterowania A924 wyposażona est w lampkę ostrzegającą o konieczności wykonania czynności konserwacyjnych (patrz instrukcje centrali elektrycznej A924) zgodnie z zaplanowanym wcześniej programem. Systematycznie wykonywane czynności konserwacyjne nie tylko gwarantują dłuższą trwałość ale także bezpieczne funkcjonowanie systemu.

Czynności konserwacyjne może wykonywać tylko wykwalifikowany personel.

Polegają one na procedurze prób odbiorczych.

6.1) Zbyt

SUMO zbudowany jest z różnych rodzajów surowców, które muszą być zbyte we właściwy sposób.

W przypadku demontażu automatu nie istnieją szczególnie niebezpieczne sytuacje ani zagrożenia z nim związane.

Należy zasięgnąć informacji o sposobach przerobu i zbytu

dostosowując się do aktualnie obowiązujących miejscowych norm prawnych.

(!)Należy dostosować się do miejscowych norm zróżnicowanego zbioru dzieląc surowce według typologii (części elektroniczne, aluminium, plastiki, itp.)

7) Dane techniczne

SUMO 2000 - 2000V - 2000VV

Motoreduktor stały 24Vps z enkoderem, z odblokada miejscowa i linką.

SUMO 2010

Motoreduktor stały 24Vps z enkoderem, z odblokada miejscową i powłoką.

		SU2000	SU2010	SU2000V	SU2000VV
Zasilanie	(Vdc)	15 ÷ 36			
Absorpcja silnika	(Adc)	13			
Moc wchłonięta	(W)	500			
Stan zabezpieczenia	(IP)	44	54	44	
Moment	(Nm)	120		82	46
Prędkość	(rpm)	7.5 ÷ 16 (6)*		11 ÷ 23.5 (9)*	19.5 ÷ 42 (15)*
Powierzchnia max bramy	(m2)	35		25	15
Czas pracy	(AÇ Min/Max)	-20°÷50°			
Klasa izolacji		B			
Cykl pracy	(%)	50			
Waga	(kg)	10.5			
Otwór	(mm)	25.5			

* Wartość w nawiasach realizuje się podczas zwolnienia przy centrali A924.



Sumo

PL

Instrukcje i ostrzeżenia przeznaczone dla użytkownika motoreduktorów SUMO

Gratulacje za wybranie do Waszej automatyki produktu Nice!

Nice S.p.A. produkuje elementy do automatyzacji bram, drzwi, rolet, zasłon przeciwsłonecznych: motoreduktory, centrale sterowania, sterowniki radiowe, migacze, fotokomórki oraz osprzęt.

Nice wykorzystuje materiały i obróbkę wysokiej jakości, a poprzez poszukiwanie rozwiązań innowacyjnych, które do maximum upraszczają korzystanie z urządzeń, wyszukiwanych rozwiązaniach technicznych, estetycznych, ergonomicznych: w całej gamie Nice. Wasz instalator z pewnością dokona wyboru produktu najbardziej odpowiadającego Waszym wymaganiom.

Nice jednakże nie jest producentem Waszej automatyki, która jest natomiast wynikiem analizy, oceny, wyboru materiałów i wykonania urządzenia przez Waszego zaufanego instalatora.

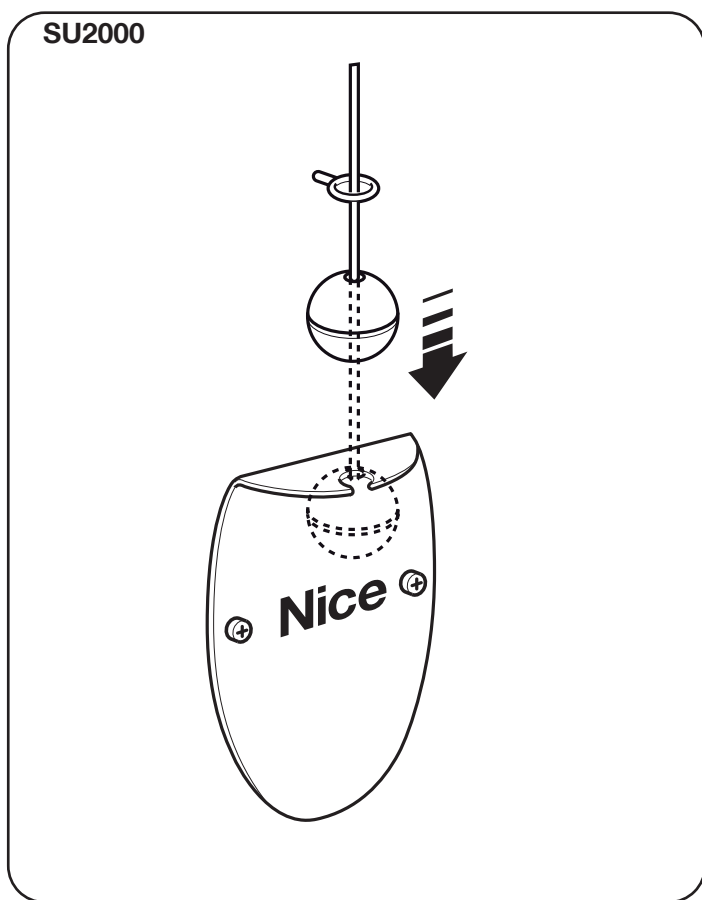
Każda automatyzacja jest jedyna i tylko Wasz instalator posiada doświadczenie i konieczny profesjonalizm do wykonania urządzenia zgodnie z Waszymi wymaganiami, pewnie i niezawodnie jednocześnie, a przede wszystkim zgodnie ze sztuką odpowiadającą obowiązującym normom.

Urządzenie automatyzacji, poza ważnym systemem bezpieczeństwa, jest doskonałą wygodą, i ze względu na niektóre proste rozwiązania jest przeznaczone na wieloletnie działanie.

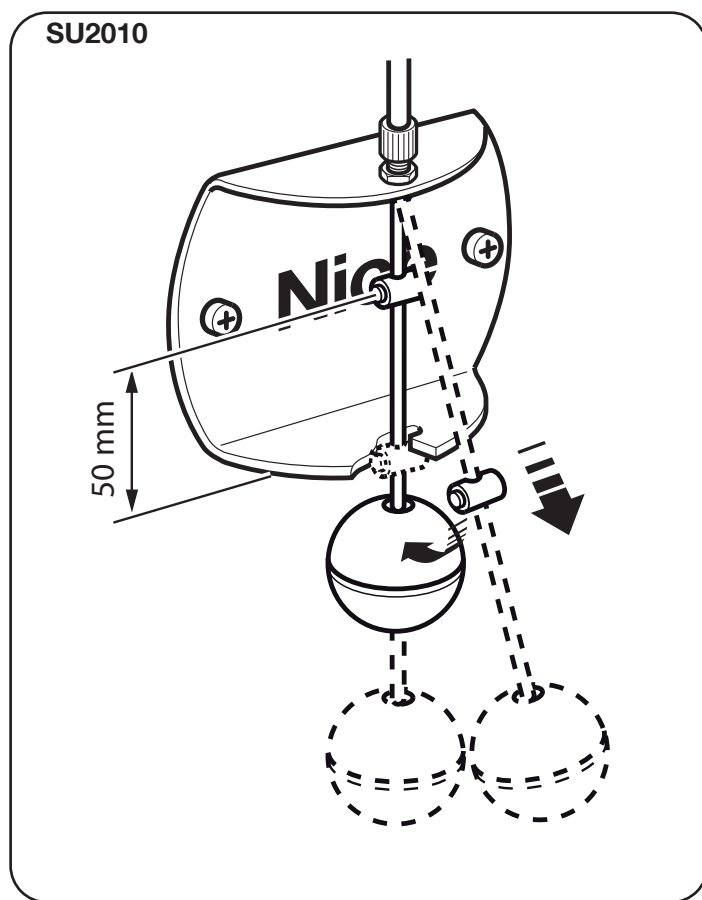
Nawet, gdy automatyzacja, której jesteście posiadaczami satysfakcjonuje poziom bezpieczeństwa wymagany normami, nie wyklucza to jednak istnienia "cienia ryzyka", tzn. możliwości powstania niebezpiecznych sytuacji, zazwyczaj wynikających z lekkomyślnego lub wręcz błędnego użytkownika. Z tego też powodu pragniemy udzielić Wam niektórych rad, jak należy postępować, by uniknąć jakichkolwiek błędów:

- **Przed pierwszym użyciem automatyki** należy skorzystać z poleceń instalatora związanych z istniejącym niebezpieczeństwem i poświęcić kilka minut na lekturę, dostarczonej przez instalatora **instrukcji obsługi i ostrzeżenia podczas użytkowania**. Zachowajcie instrukcję na wypadek w przyszłości, oraz przekażcie ją ewentualnemu przyszłemu właścicielowi automatyki.
- Wasza automatyzacja jest urządzeniem, które dokładnie wykona wasze polecenia; użycie lekkomyślne lub niewłaściwe może stać się niebezpieczne: nie sterujcie ruchem automatyki, jeśli w zasięgu działania znajdują się osoby, zwierzęta lub rzeczy.

- **Dzieci:** urządzenie automatyzacji gwarantuje wysoki stopień bezpieczeństwa, zawierający systemy, które nie pozwalają na uruchomienie w przypadku obecności osób lub rzeczy. W każdym razie roztropnie jest zabronić dzieciom bawić w pobliżu automatyzacji, oraz by uniknąć przypadkowego uruchomienia nie zostawiać pilota w ich zasięgu: **to nie jest zabawka!**
- **Anomalie.** Jak tylko zauważycie jakiegokolwiek nieprawidłowe działanie automatyki, odłączcie zasilanie elektryczne urządzenia i odblokujcie mechanizm ręczny. Nie próbujcie sami napraw, ale żądajcie interwencji Waszego zaufanego instalatora: w między czasie urządzenie może działać nie automatycznie, z odblokowanym motoreduktorem, jak opisano powyżej.
- **Czynności konserwacyjne.** Jak każde urządzenie, Wasza automatyzacja, by jak najdłużej i całkowicie bezpiecznie mogła funkcjonować, wymaga okresowych czynności konserwacyjnych. Uzgodnijcie z Waszym instalatorem okresowy program tych czynności: Nice doradza, przy normalnym, domowym użytkowaniu, wykonania kontroli co 6 miesięcy, okres ten może być inny w zależności od intensywności użycia. Jakakolwiek interwencja kontrolna, serwisowa czy naprawcza musi być przeprowadzona przez personel kwalifikowany.
- Także w przypadku, gdy uważacie, że znacie się na tym, nie modyfikujcie urządzenia i parametrów programowania oraz regulacji automatyzacji: odpowiedzialność spoczywa na Waszym instalatorze.
- Końcowa kolaudacja, serwisy okresowe i ewentualne naprawy muszą być udokumentowane przez wykonującego, a dokumenty przechowywane u właściciela urządzenia.
- **Zbyt.** Po całkowitym zużyciu się automatyzacji, zbyt ma być wykonany osoby wykwalifikowane a materiały poddane recyklingowi lub zbyte zgodnie z aktualnie obowiązującymi normami lokalnymi.
- **W przypadku popsucia lub braku zasilania.** Czekać na interwencję Waszego instalatora (lub powrót dopływu energii elektrycznej, jeśli urządzenie nie jest wyposażone w baterie rezerwowe), urządzenie może działać, jak każde inne, otwierające się w sposób nie automatyczny. By to zrobić, należy wykonać odblokowanie ręczne: ta czynność jest jedyną, która może być wykonana przez użytkownika automatyzacji. Ta funkcja jest szczególnie dopracowana przez Nice tak, aby zagwarantować Wam zawsze najłatwiejsze użytkowanie automatyzacji, bez wykorzystywania jakichkolwiek narzędzi czy wysiłku fizycznego.



1. Pociągnąć uchwyt kulisty w kierunku do dołu i ustawić w pozycji 1.
2. Poruszyć bramą.

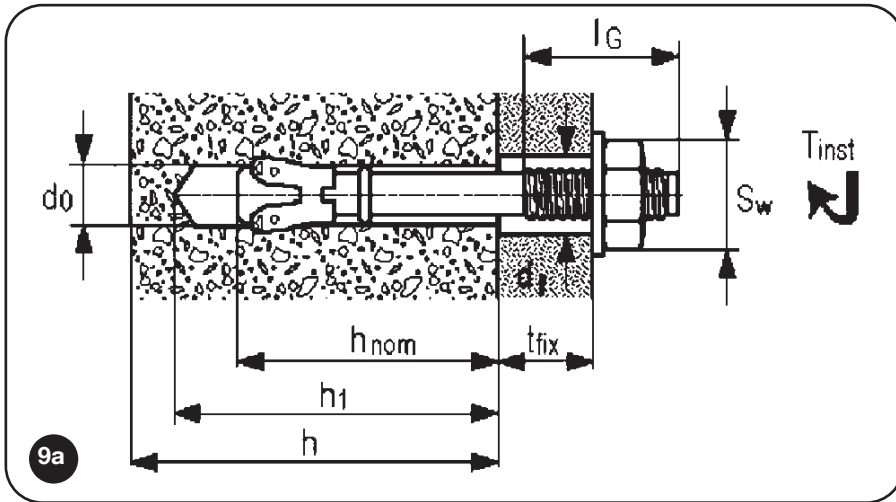
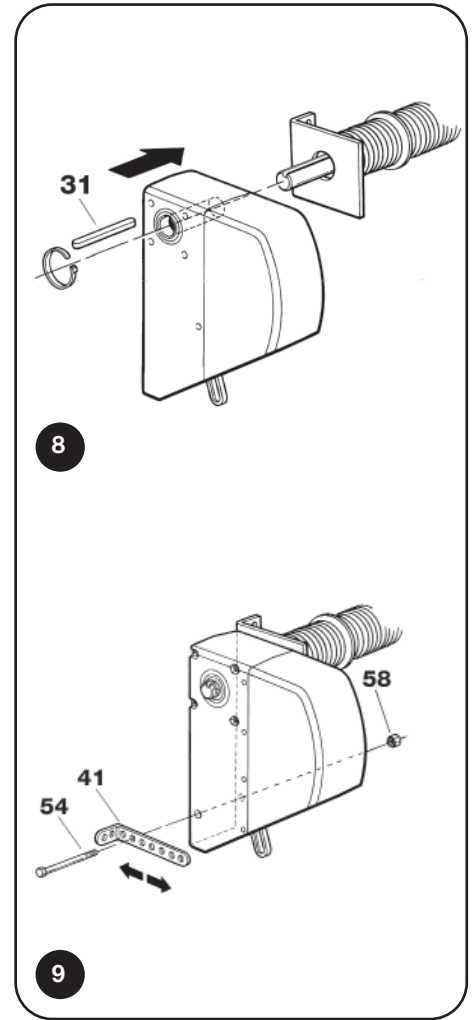
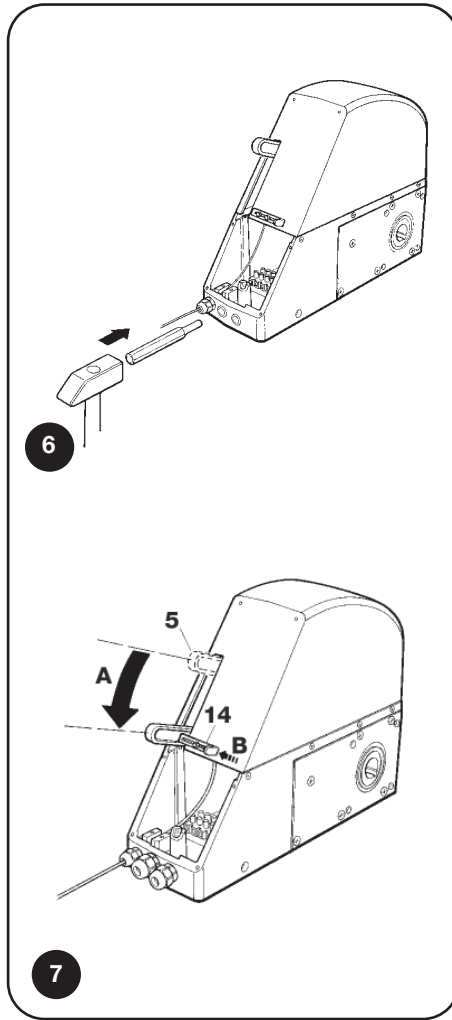
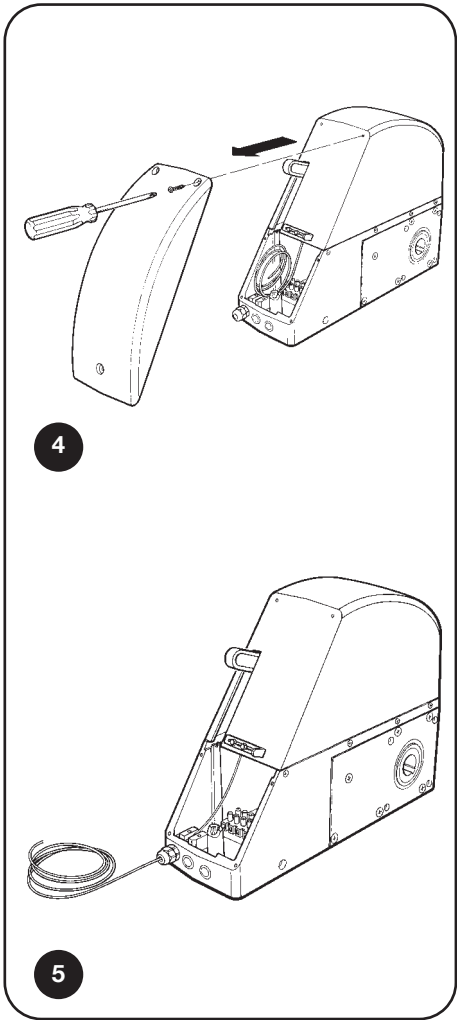


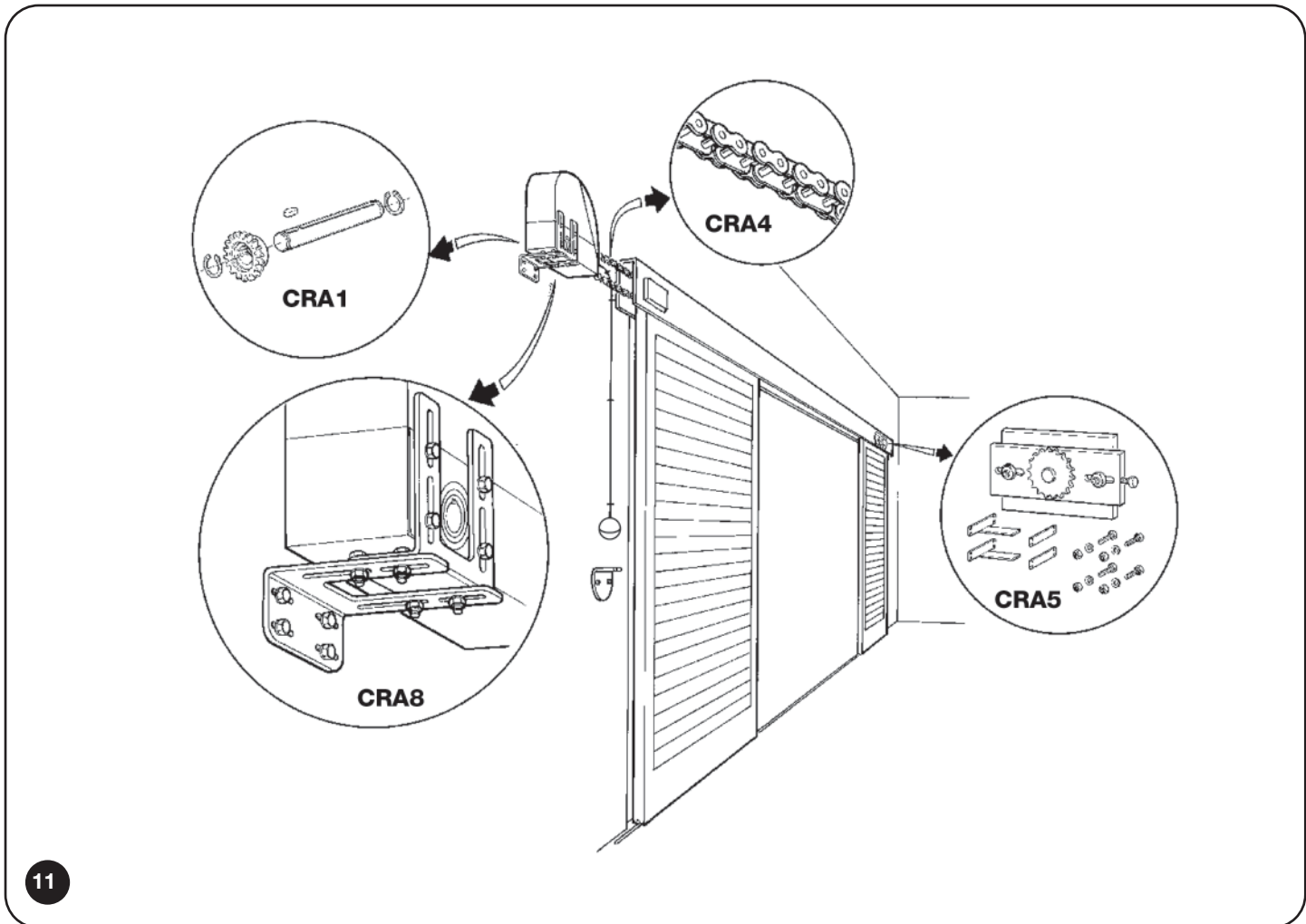
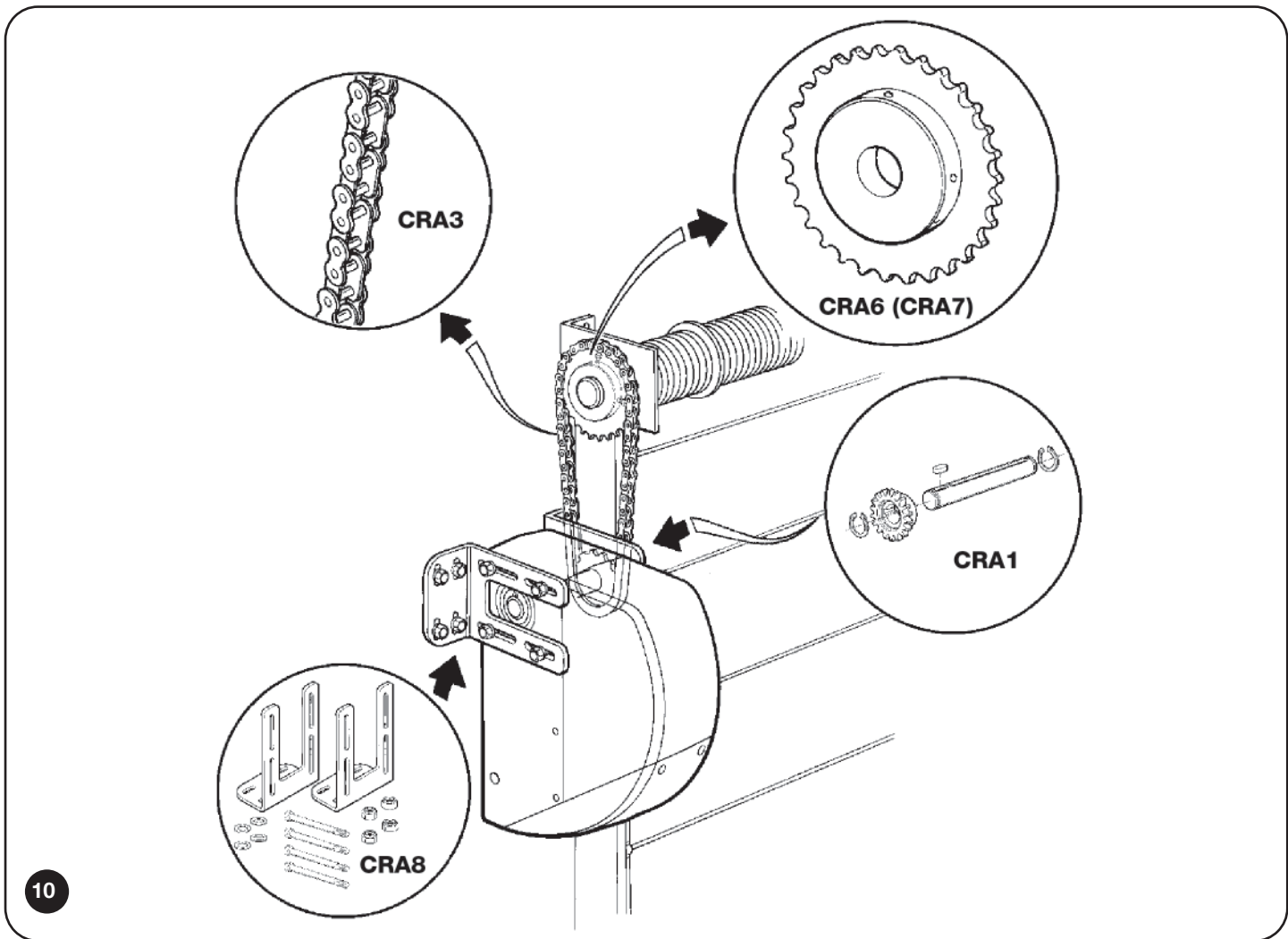
⚠ Odblokada ma odbyć się tylko kiedy brama jest nieruchoma.

Ważne: Jeśli wasze urządzenie jest wyposażone w sterowanie radiowe, które po jakimś czasie wydaje Wam się, że działa gorzej lub nie działa zupełnie, może to zależeć od zwyczajnego wyczerpania się baterii (w zależności od typu, może ona wyczerpać się po kilku miesiącach jak i po dwóch/trzech latach). Możecie to stwierdzić faktem, że światelko potwierdzające transmisję jest słabe, nie zapala się wcale, lub zapala się tylko na krótko. Przed udaniem się do instalatora, spróbujcie wymienić baterię na tę z drugiego przekaznika ewentualnie działającego: gdy będzie to powodem anomalii, wystarczającym będzie wymienić na baterię tego samego typu.

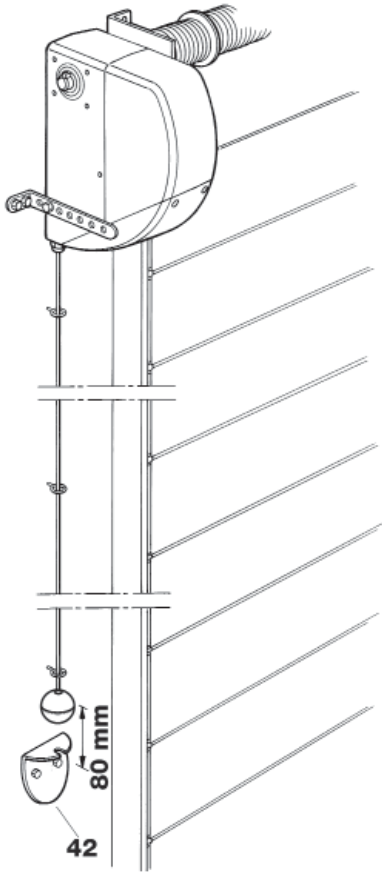
Jesteście zadowoleni? W przypadku, gdybyście chcieli w Waszym domu zastosować dodatkowo nowe urządzenie automatyzacji, udajcie się do tego samego instalatora a Nice zagwarantuje Wam, wraz z konsultacją specjalisty, produkty najbardziej innowacyjne spośród produktów na rynku, pod względem funkcjonowania i z maksymalną kompatybilnością automatyzacji.

Dziękujemy Wam za przeczytanie tych zaleceń oraz życzymy Wam największego zadowolenia z Waszego nowego urządzenia: na jakiegokolwiek zapotrzebowanie, dzisiejsze lub w przyszłości udajcie się z zaufaniem do Waszego instalatora.

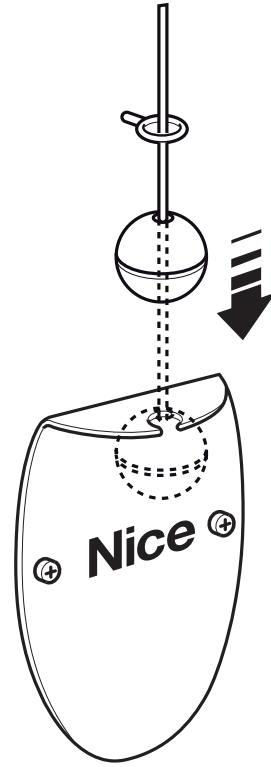




SU2000

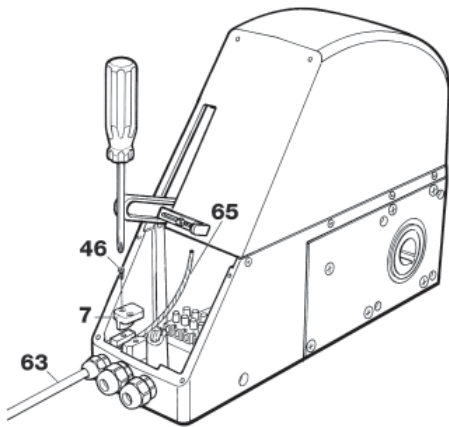


13

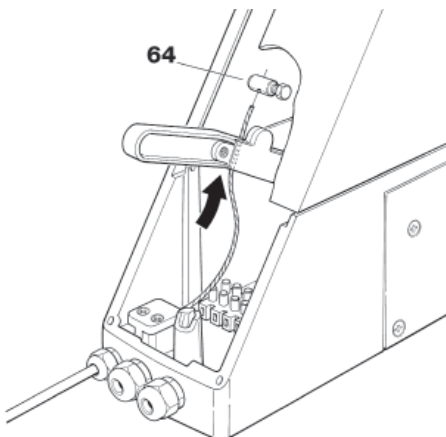


16

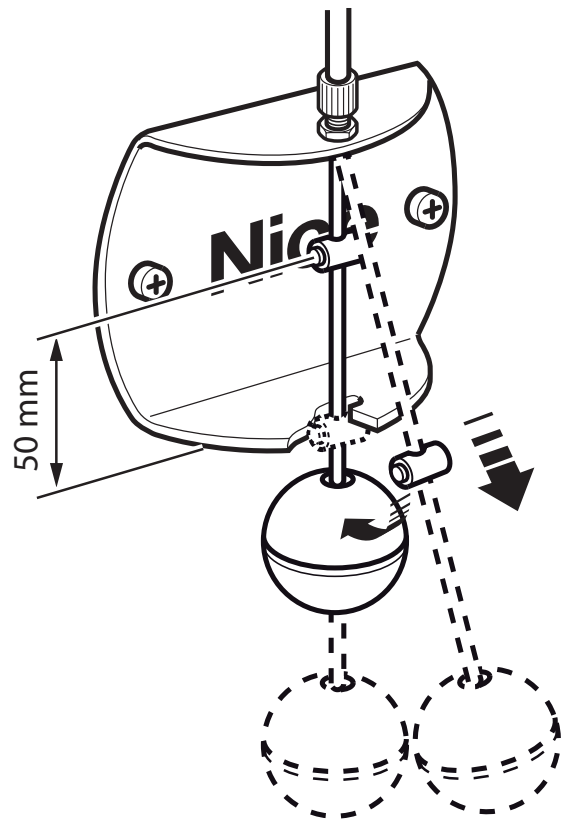
SU2010



14



15



16a

IT - DICHIARAZIONE CE DI CONFORMITÀ e dichiarazione di incorporazione di "quasi macchina"

Dichiarazione in accordo alle Direttive: 2006/95/CE (LVD); 2004/108/CE (EMC); 2006/42/CE (MD) allegato II, parte B

Nota - Il contenuto di questa dichiarazione corrisponde a quanto dichiarato nell'ultima revisione disponibile, prima della stampa di questo manuale, del documento ufficiale depositato presso la sede di Nice Spa. Il presente testo è stato riadattato per motivi editoriali. Copia della dichiarazione originale può essere richiesta a Nice S.p.a. (TV) I.

Numero dichiarazione: 145/SUMO

Revisione: 5

Lingua: IT

Nome produttore: NICE s.p.a.

Indirizzo: Via Pezza Alta 13, Z.I. Rustignè, 31046 Oderzo (TV) Italia

Persona autorizzata a costituire la documentazione tecnica: Sig. Oscar Marchetto

Tipo di prodotto: Motoriduttore elettromeccanico serie "SUMO"

Modello / Tipo: SU2000, SU2010, SU2000V, SU2000VV

Accessori: -

Il sottoscritto Luigi Paro in qualità di Amministratore Delegato, dichiara sotto la propria responsabilità che il prodotto sopra indicato risulta conforme alle disposizioni imposte dalle seguenti direttive:

- DIRETTIVA 2004/108/CE DEL PARLAMENTO EUROPEO E DEL CONSIGLIO del 15 dicembre 2004 concernente il ravvicinamento delle legislazioni degli Stati membri relative alla compatibilità elettromagnetica e che abroga la direttiva 89/336/CEE, secondo le seguenti norme armonizzate: EN 61000-6-2:2005, EN 61000-6-3:2007

Inoltre il prodotto risulta essere conforme alla seguente direttiva secondo i requisiti previsti per le "quasi macchine":

- Direttiva 2006/42/CE DEL PARLAMENTO EUROPEO E DEL CONSIGLIO del 17 maggio 2006 relativa alle macchine e che modifica la direttiva 95/16/CE (rifusione).
 - Si dichiara che la documentazione tecnica pertinente è stata compilata in conformità all'allegato VII B della direttiva 2006/42/CE e che sono stati rispettati i seguenti requisiti essenziali: 1.1- 1.1.2- 1.1.3- 1.2.1-1.2.6- 1.5.1-1.5.2- 1.5.5- 1.5.6- 1.5.7- 1.5.8- 1.5.10- 1.5.11
 - Il produttore si impegna a trasmettere alle autorità nazionali, in risposta ad una motivata richiesta, le informazioni pertinenti sulla "quasi macchina", mantenendo impregiudicati i propri diritti di proprietà intellettuale.
 - Qualora la "quasi macchina" sia messa in servizio in un paese europeo con lingua ufficiale diversa da quella usata nella presente dichiarazione, l'importatore ha l'obbligo di associare alla presente dichiarazione la relativa traduzione.
 - Si avverte che la "quasi macchina" non dovrà essere messa in servizio finché la macchina finale in cui sarà incorporata non sarà a sua volta dichiarata conforme, se del caso, alle disposizioni della direttiva 2006/42/CE.

Inoltre il prodotto risulta conforme alle seguenti norme: EN 60335-1:2002 + A1:2004 + A11:2004 + A12:2006 + A2:2006 + A13:2008
EN 60335-2-103:2003

Il prodotto risulta conforme, limitatamente alle parti applicabili, alle seguenti norme: EN 13241-1:2003, EN 12445:2002, EN 12453:2002, EN 12978:2003

EN - CE DECLARATION OF CONFORMITY and declaration of incorporation of "quasi machine"

Declaration in accordance with the Directives: 2006/95/EC (LVD); 2004/108/CE (EMC); 2006/42/EC (MD) appendix II, part B

Note - The contents of this declaration correspond to declarations in the official document deposited at the registered offices of Nice S.p.a. and in particular to the last revision available before printing this manual. The text herein has been re-edited for editorial purposes. A copy of the original declaration can be requested from Nice S.p.a. (TV) I.

Declaration number: 145/SUMO

Revision: 5

Language: EN

Manufacturer's Name: NICE s.p.a.

Address: Via Pezza Alta 13, Z.I. Rustignè, 31046 Oderzo (TV) Italy

Person authorised to draw up technical documentation: Sig. Oscar Marchetto

Type of product: "SUMO" series electromechanical gearmotor

Model / Type: SU2000, SU2010, SU2000V, SU2000VV

Accessories: -

The undersigned, Luigi Paro, in the role of Managing Director, declares under his sole responsibility, that the product specified above conforms to the provisions of the following directives:

- DIRECTIVE 2004/108/EC OF THE EUROPEAN PARLIAMENT AND COUNCIL of 15 December 2004 regarding the approximation of member state legislation related to electromagnetic compatibility, repealing directive 89/336/EEC, according to the following standards: EN 61000-6-2:2005, EN 61000-6-3:2007

The product also complies with the following directives according to the requirements envisaged for "quasi machinery":

- Directive 2006/42/EC OF THE EUROPEAN PARLIAMENT AND COUNCIL of 17 May 2006 related to machinery, and which amends the directive 95/16/EC (recast).
 - It is hereby declared that the pertinent technical documentation has been compiled in compliance with appendix VII B of directive 2006/42/EC and that the following essential requirements have been observed: 1.1- 1.1.2- 1.1.3- 1.2.1-1.2.6- 1.5.1-1.5.2- 1.5.5- 1.5.6- 1.5.7- 1.5.8- 1.5.10- 1.5.11
 - The manufacturer undertakes to transmit to the national authorities, in response to a motivated request, all information regarding the "quasi-machine", while maintaining full rights to the related intellectual property.
 - Should the "quasi machine" be put into service in a European country with an official language other than that used in this declaration, the importer is obliged to arrange for the relative translation to accompany this declaration.
 - The "quasi-machine" must not be used until the final machine in which it is incorporated is in turn declared as compliant, if applicable, with the provisions of directive 2006/42/EC.

The product also complies with the following standards: EN 60335-1:2002 + A1:2004 + A11:2004 + A12:2006 + A2:2006 + A13:2008
EN 60335-2-103:2003

The parts of the product which are subject to the following standards comply with them: EN 13241-1:2003, EN 12445:2002, EN 12453:2002, EN 12978:2003

Oderzo, 19 febbraio 2010 / Oderzo, 19th february 2012

Luigi Paro (Amministratore Delegato / General Manager)





Nice SpA
Oderzo TV Italia
info@niceforyou.com

www.niceforyou.com

ISTSUR02.4865_28-03-2012