

HYKE

CE

HK7024

HK7224

HK7024HS

HK7224HS



Swing gate opener

EN - Instructions and warnings for installation and use

IT - Istruzioni ed avvertenze per l'installazione e l'uso

FR - Instructions et avertissements pour l'installation et l'utilisation

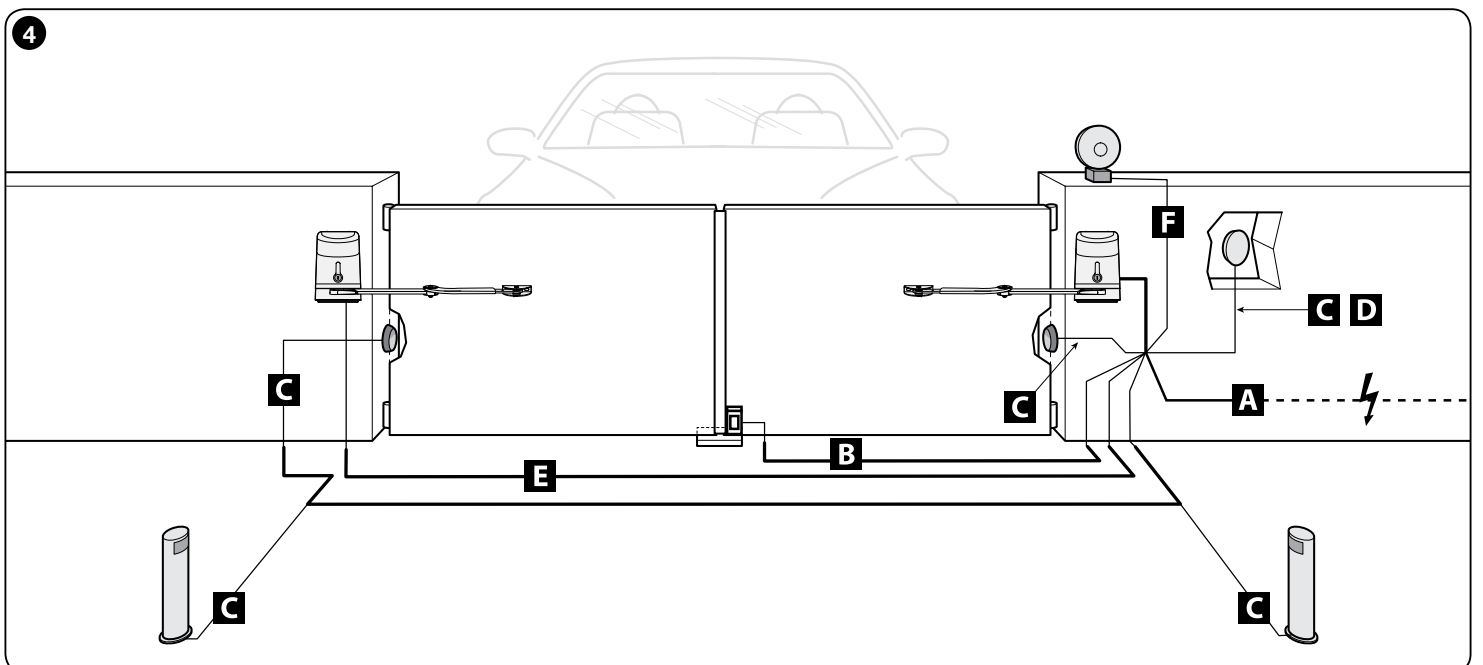
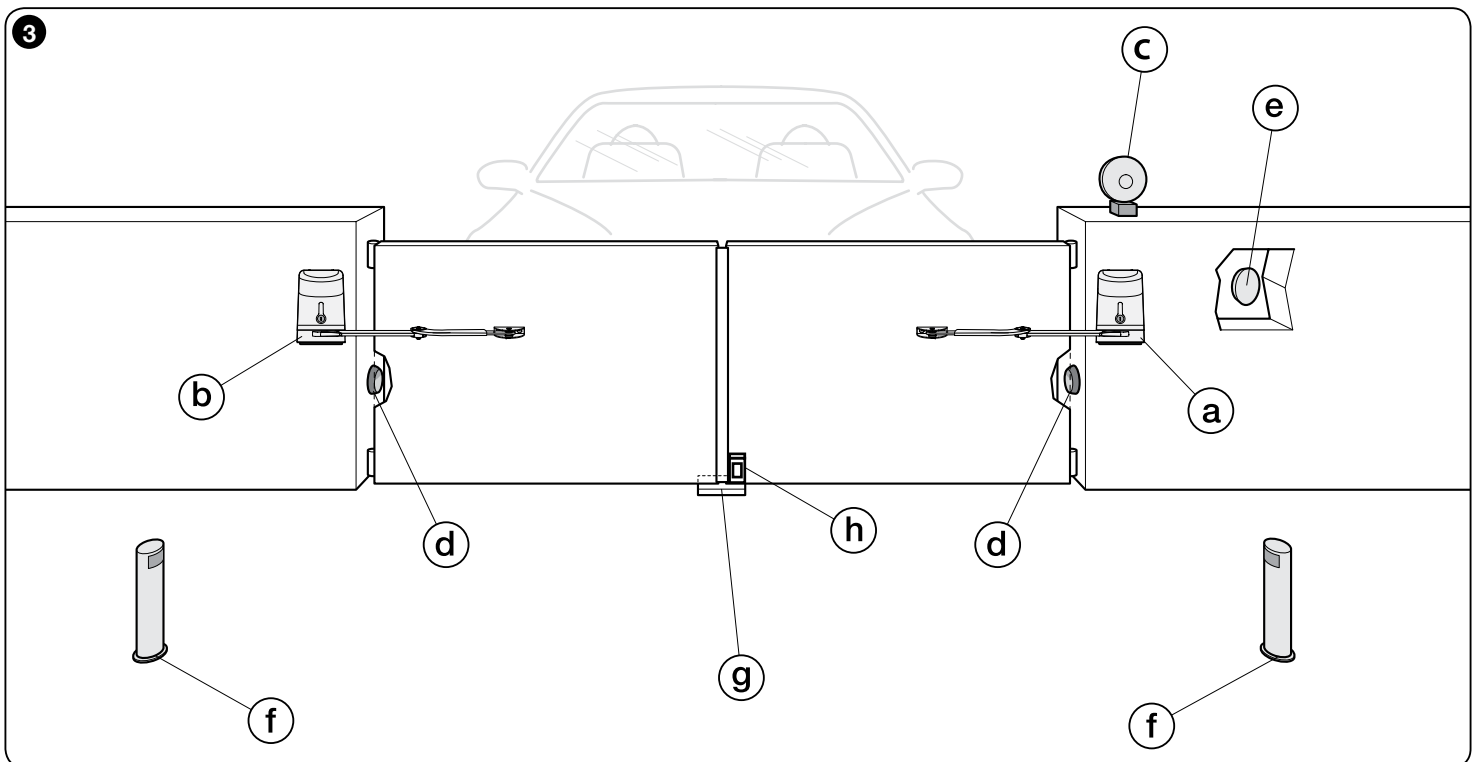
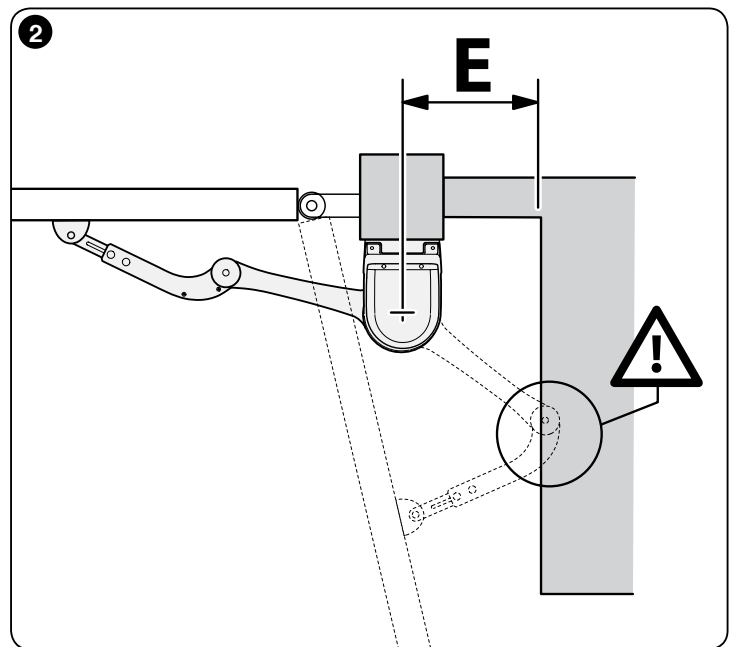
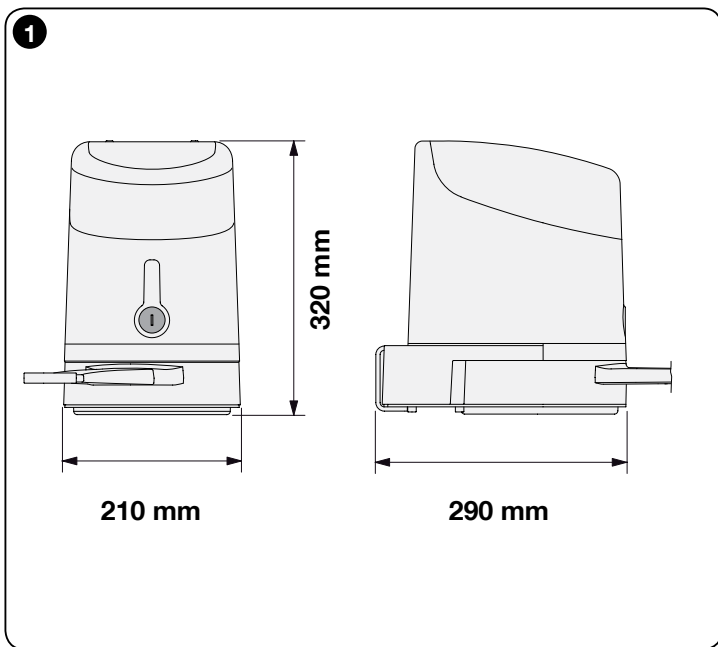
ES - Instrucciones y advertencias para la instalación y el uso

DE - Installierungs-und Gebrauchsanleitungen und Hinweise

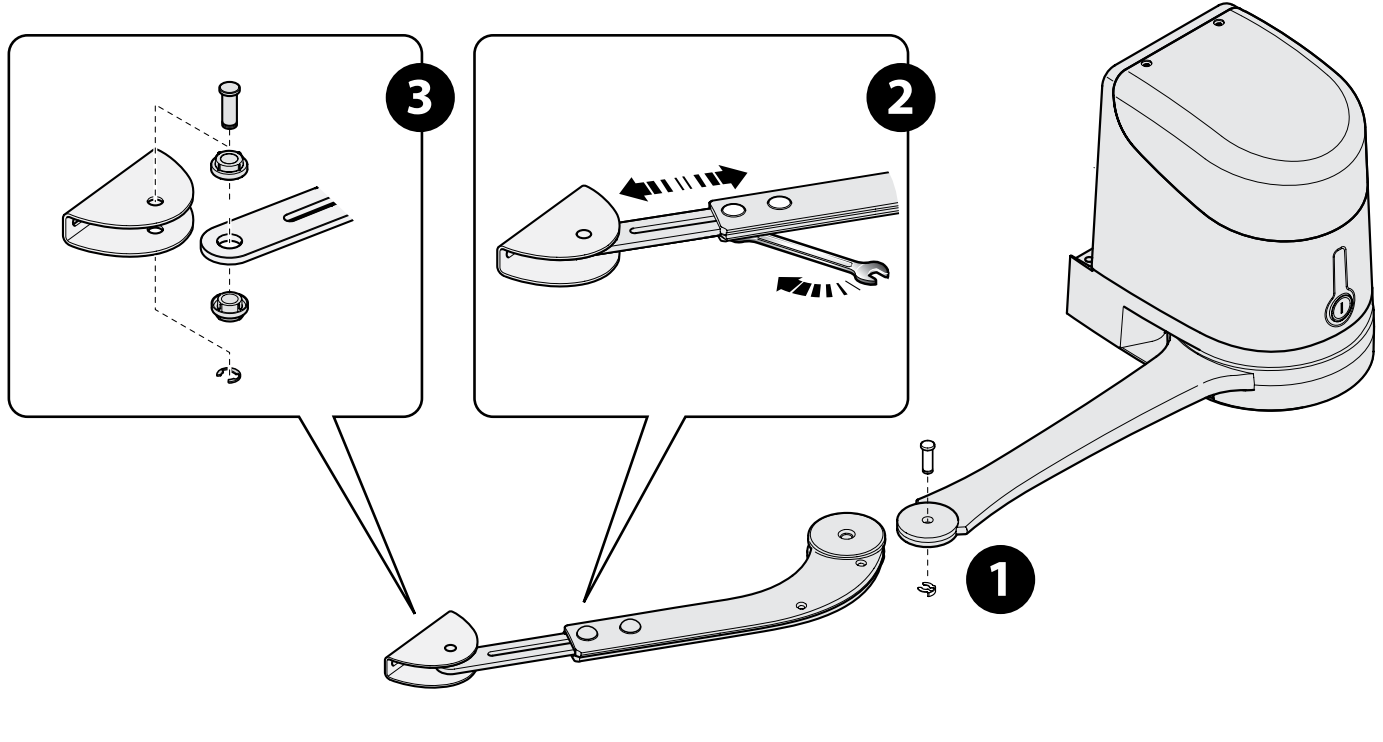
PL - Instrukcje i ostrzeżenia do instalacji i użytkowania

NL - Aanwijzingen en aanbevelingen voor installatie en gebruik

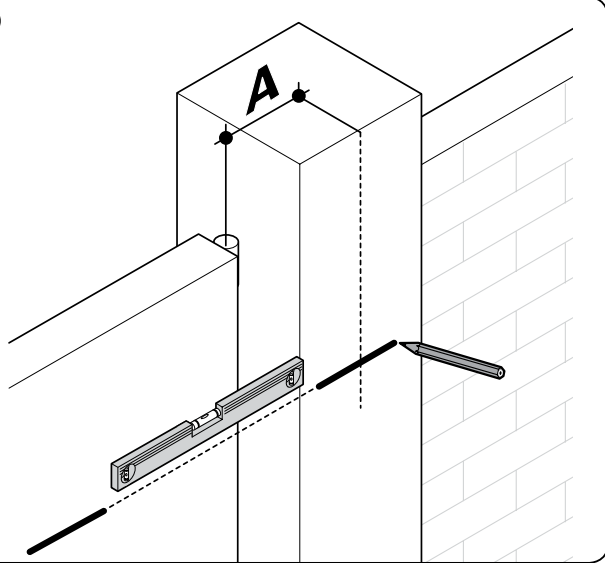
Nice



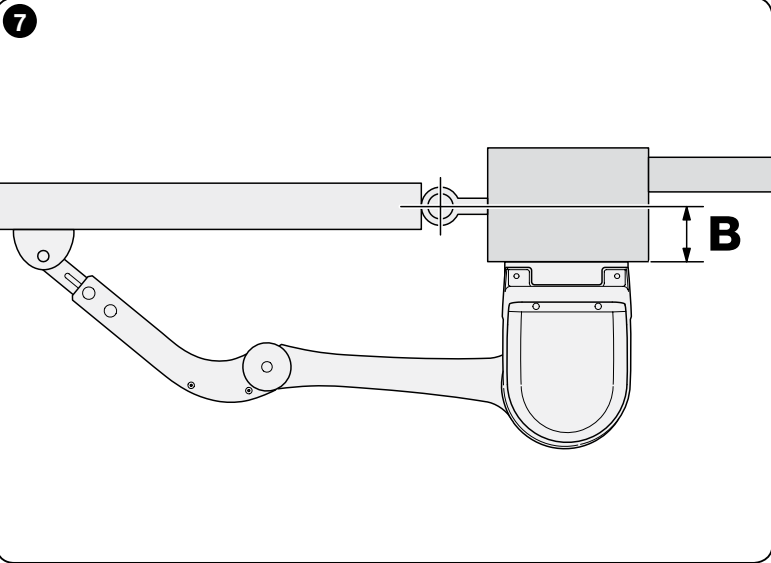
5



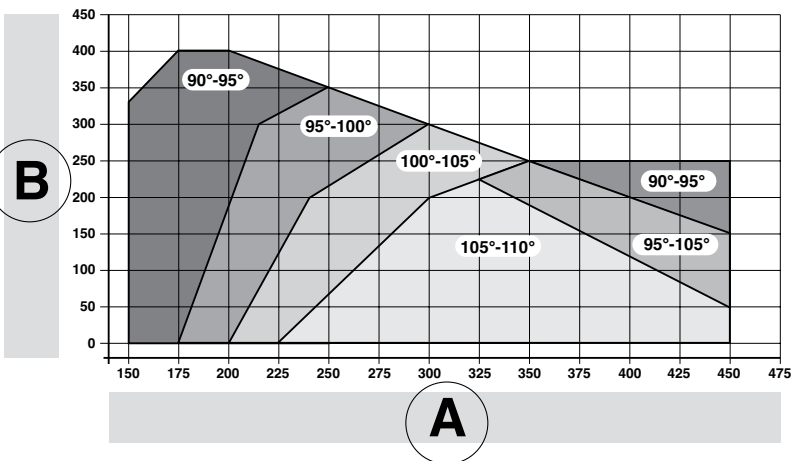
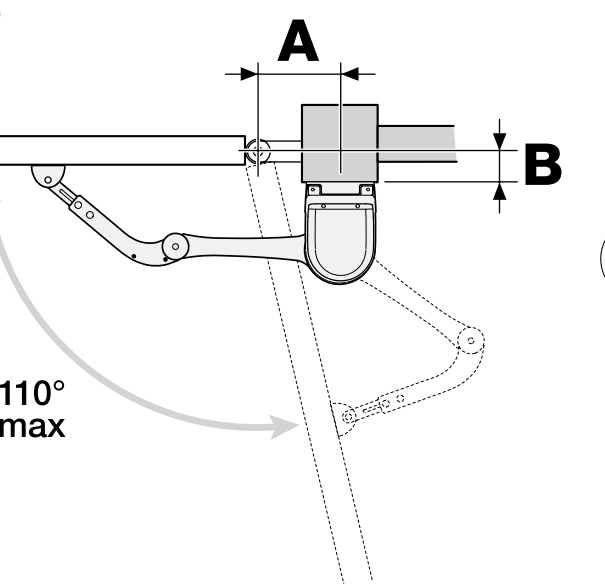
6

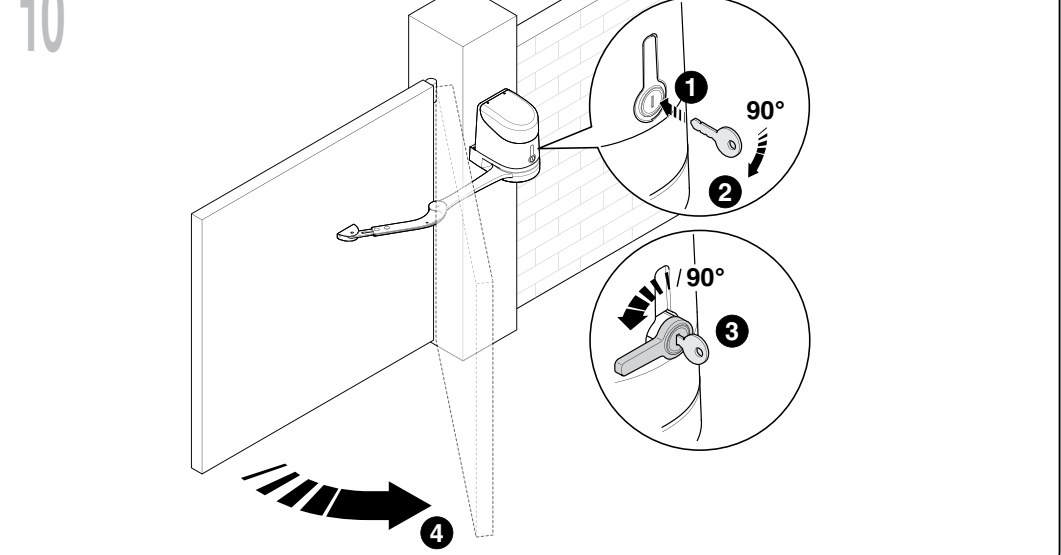
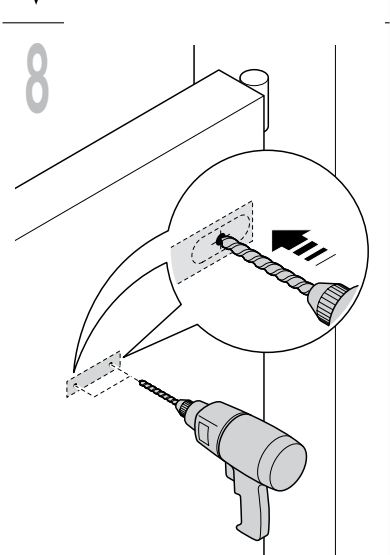
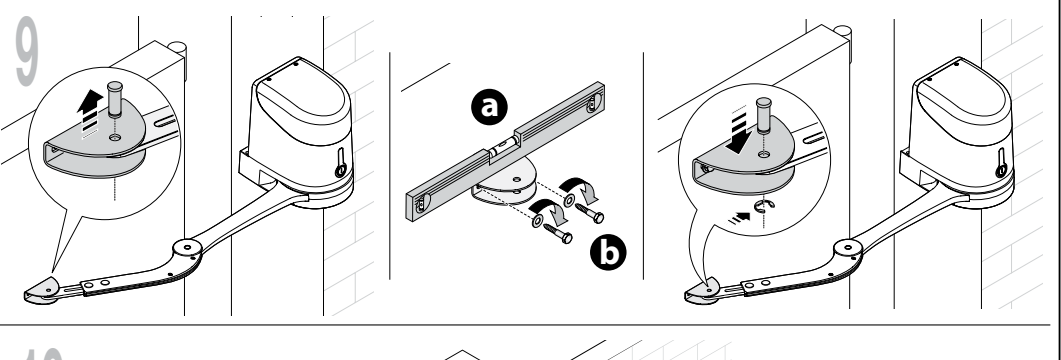
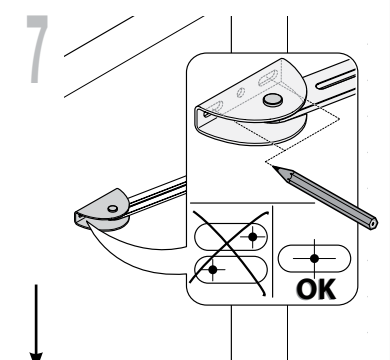
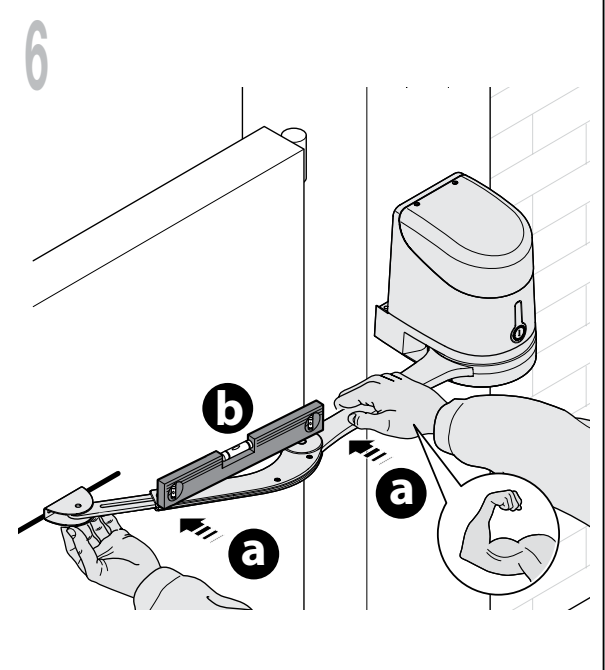
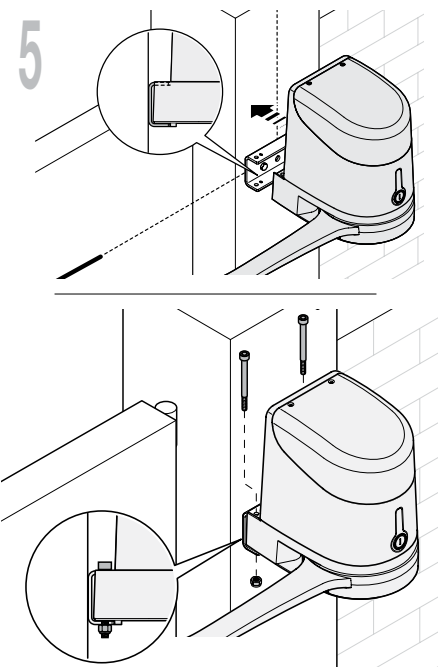
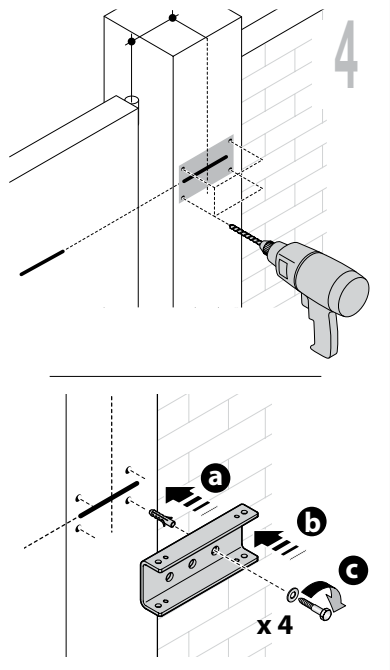
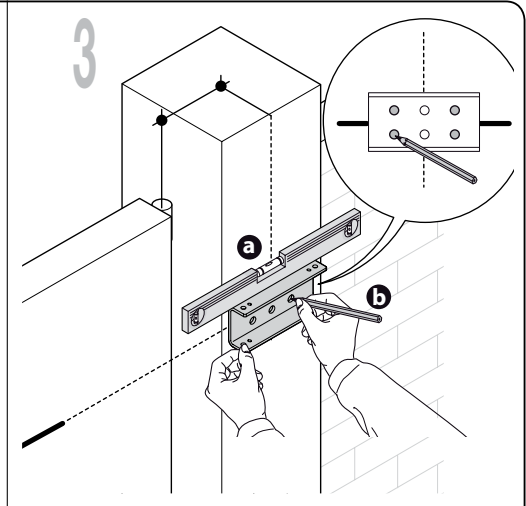
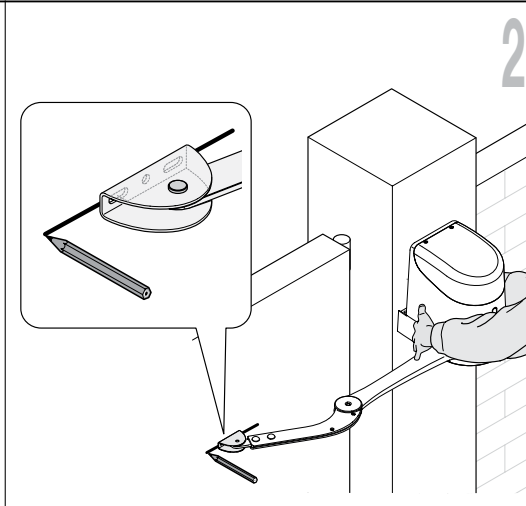
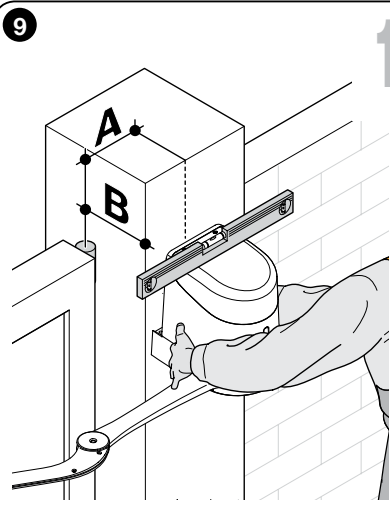


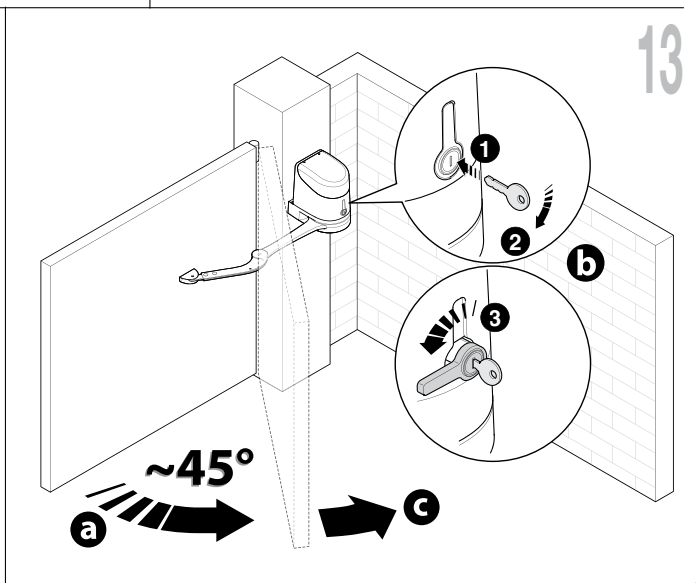
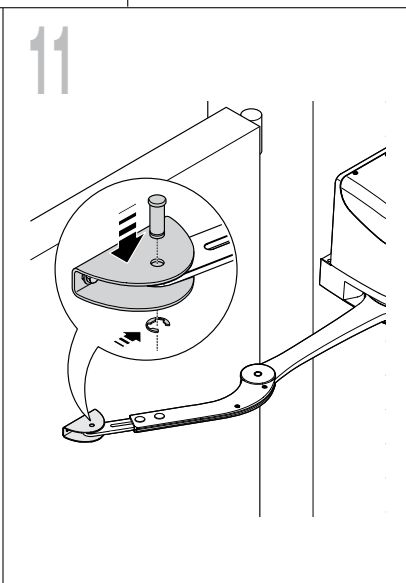
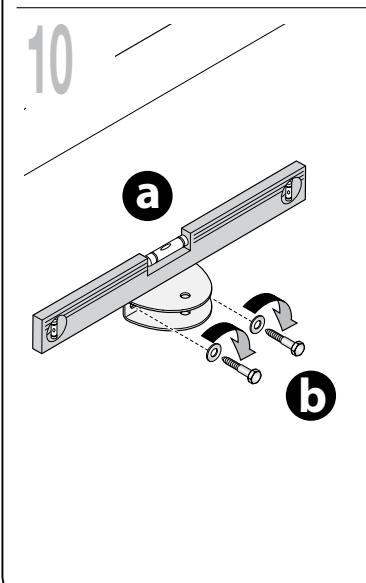
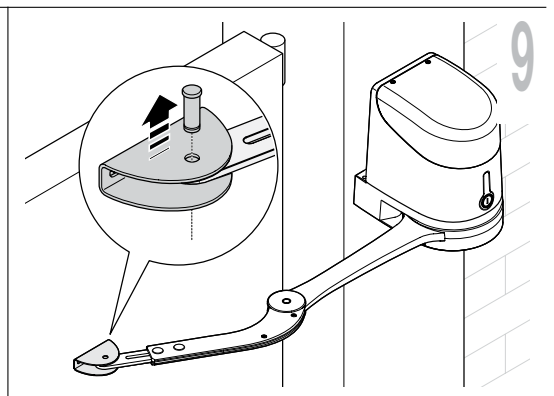
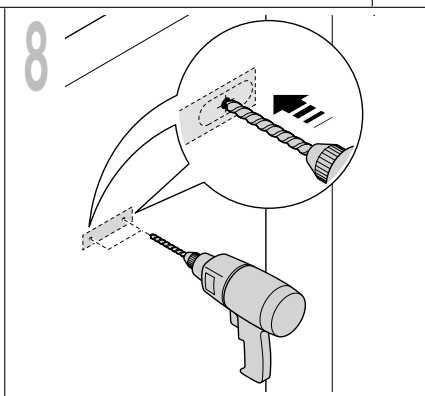
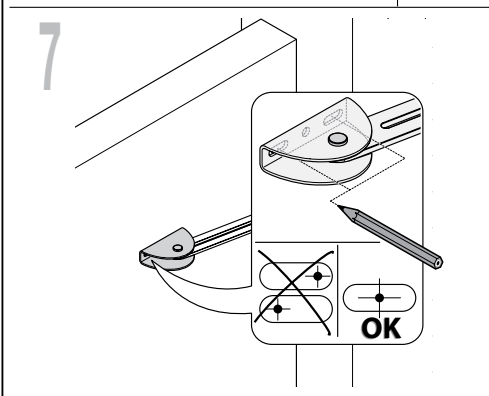
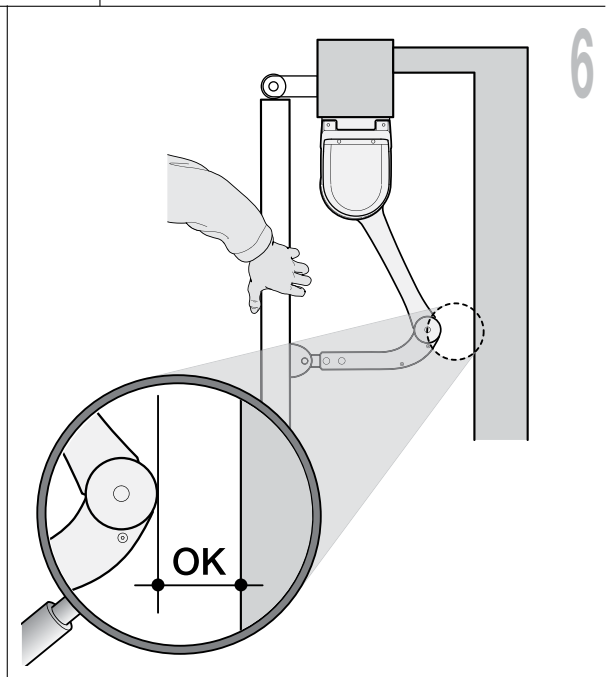
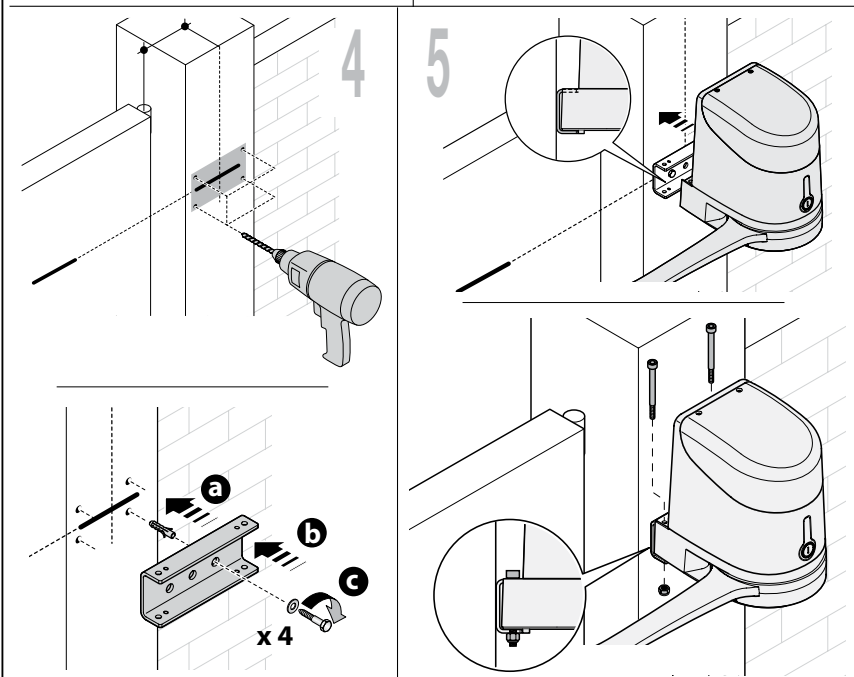
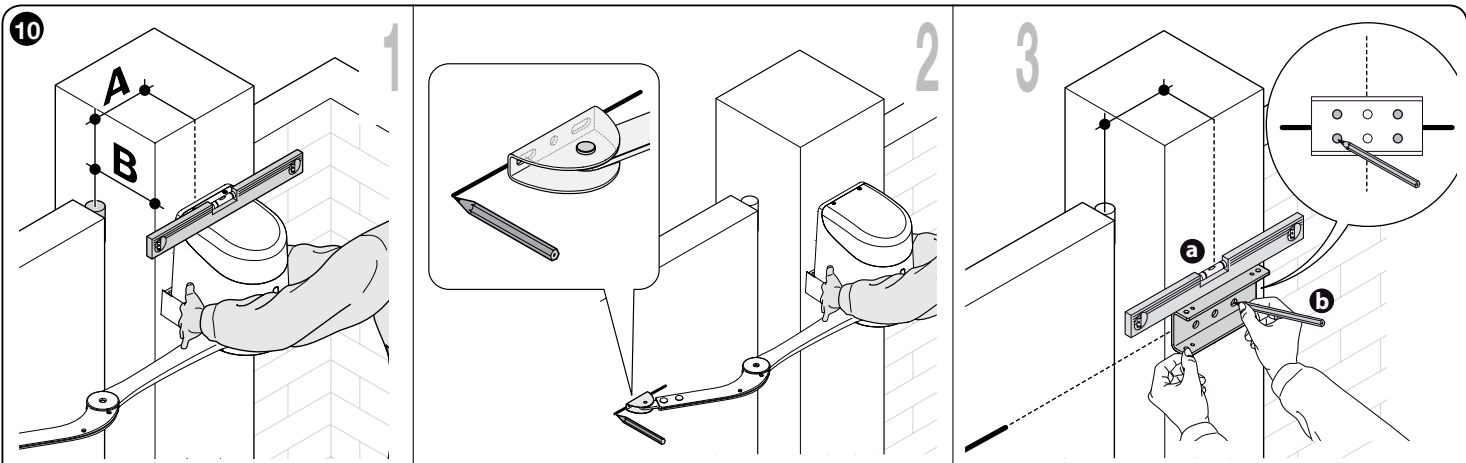
7



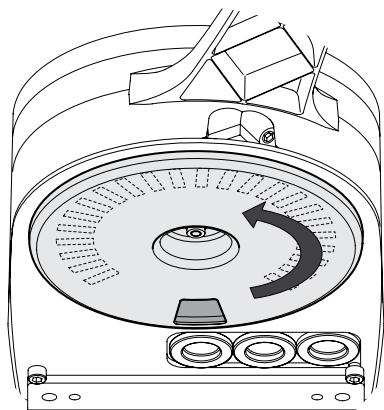
8



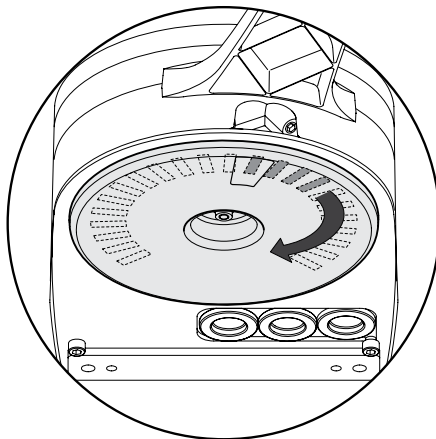




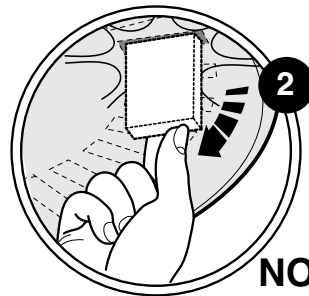
11



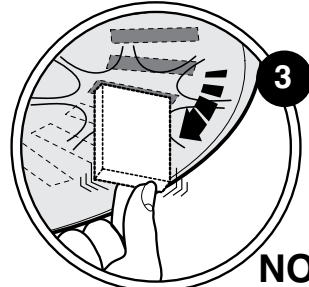
1



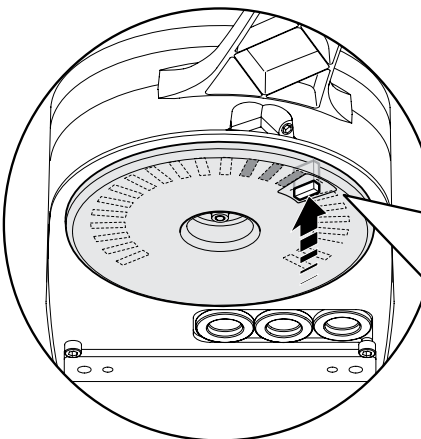
2



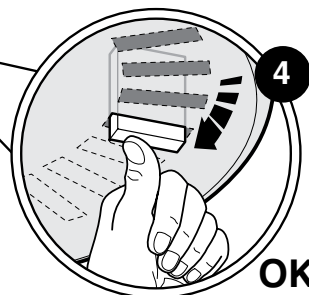
NO



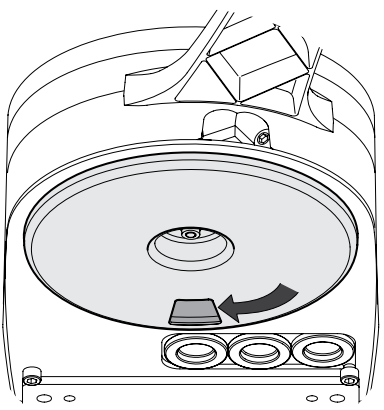
NO



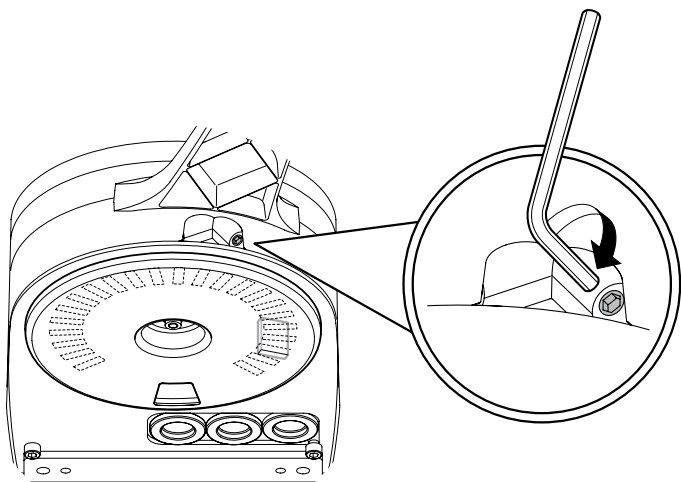
3



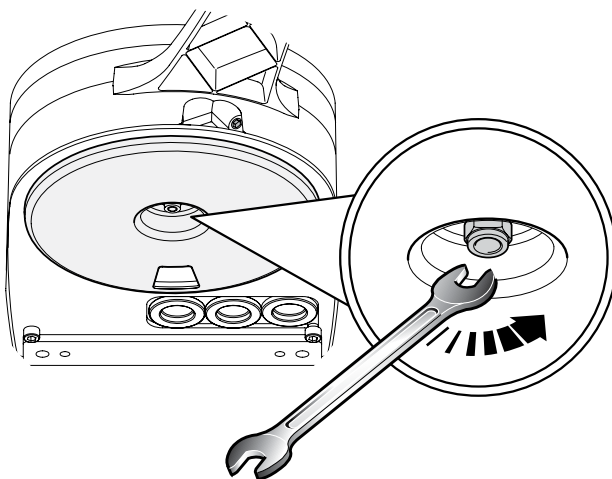
OK



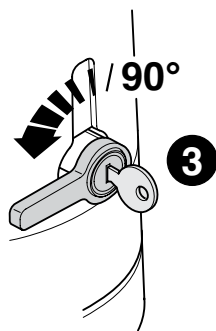
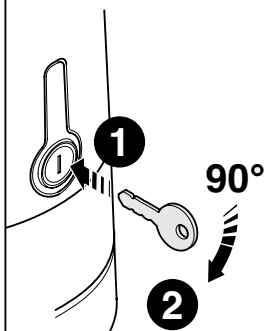
4



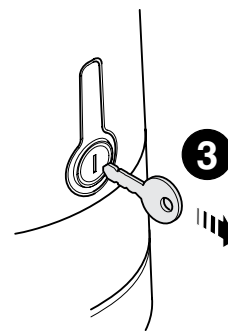
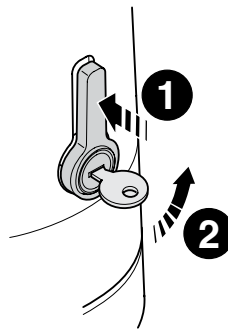
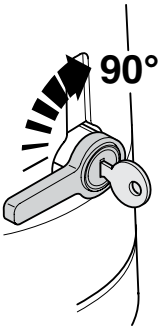
5



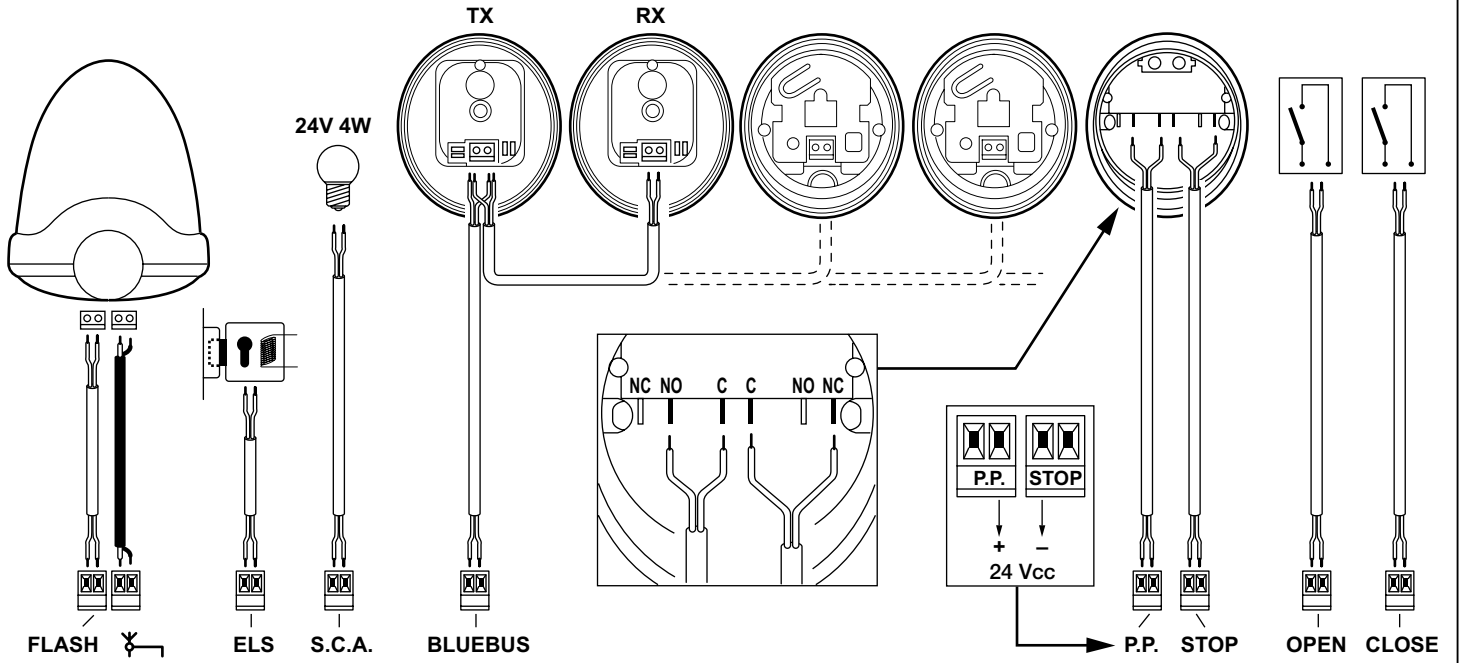
12-A



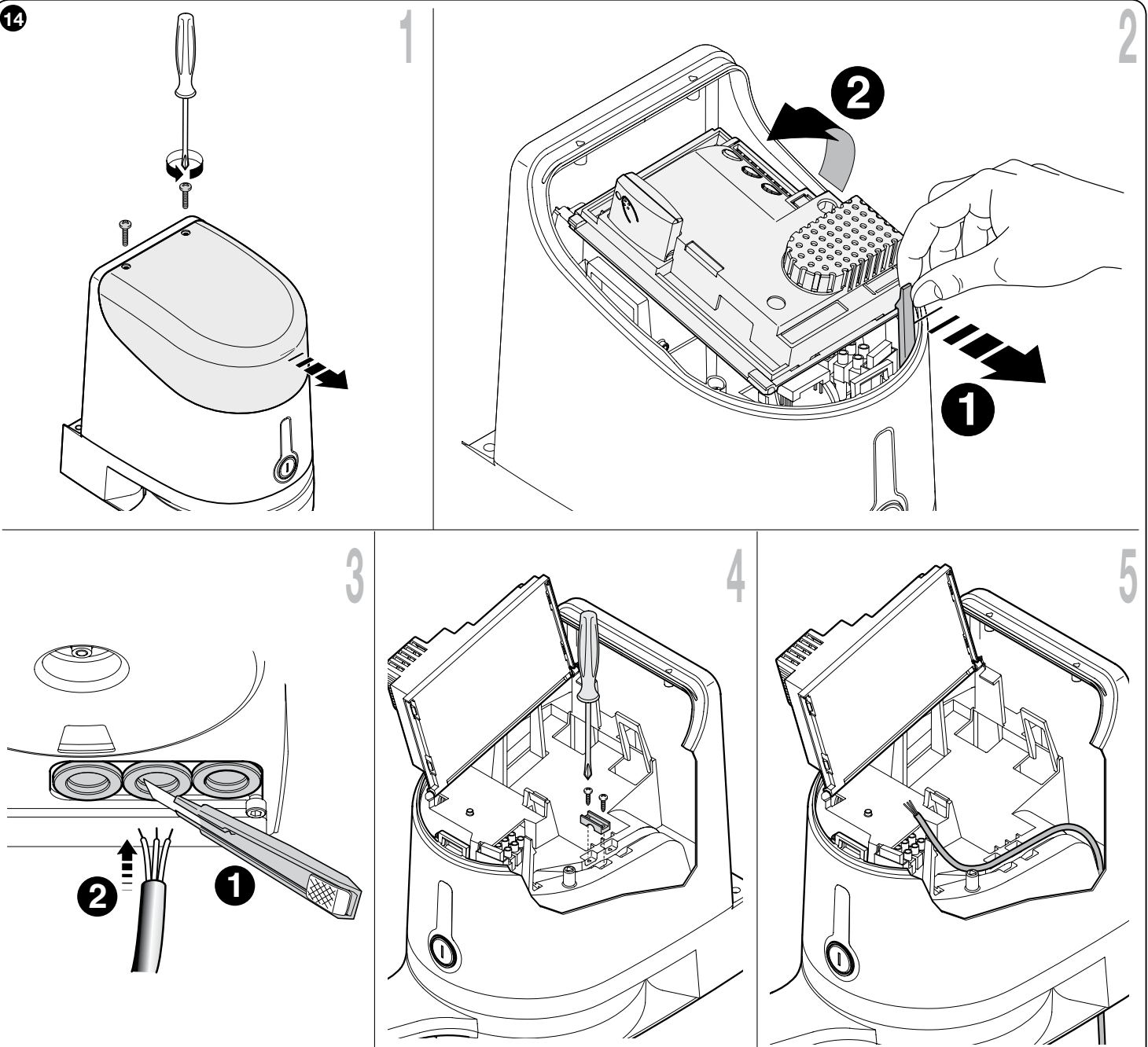
12-B

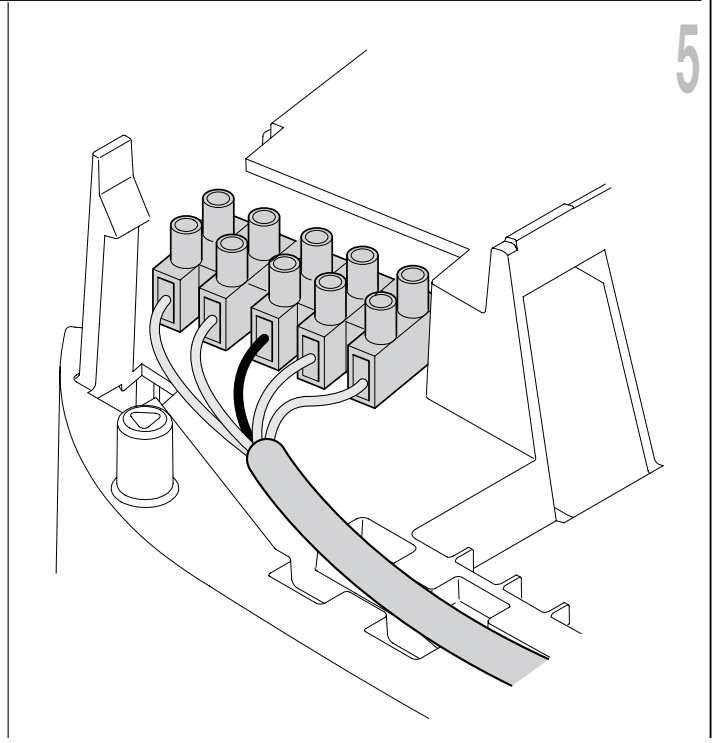
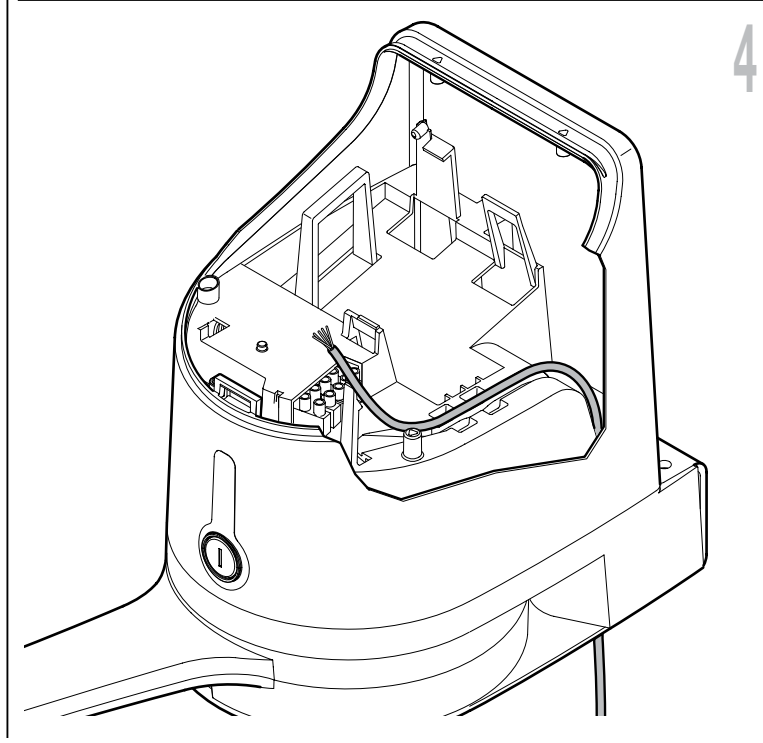
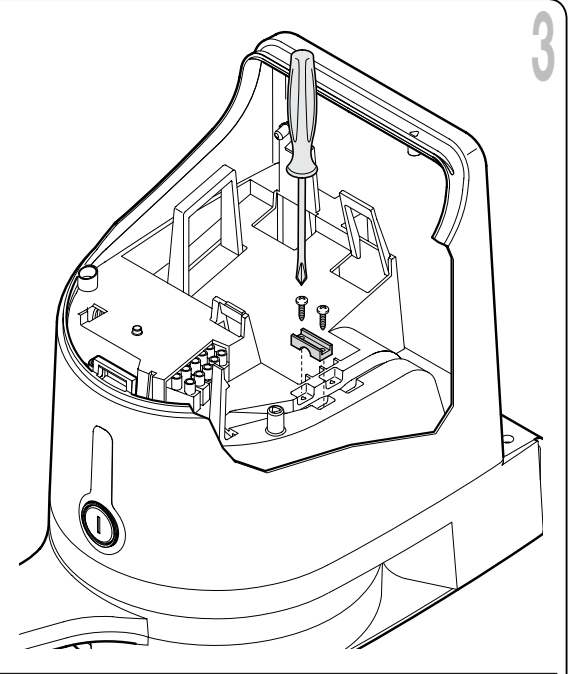
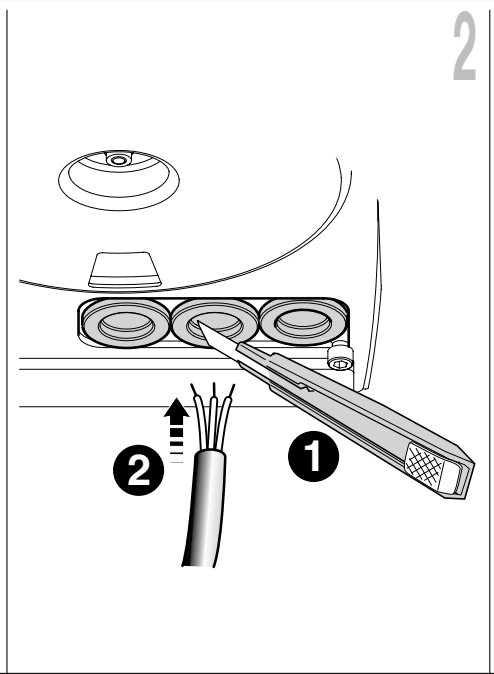
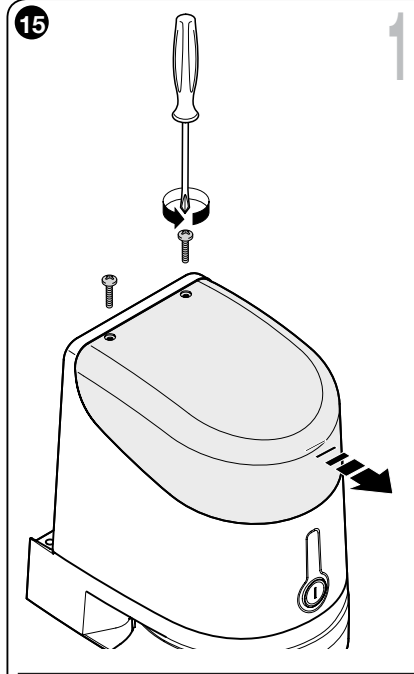
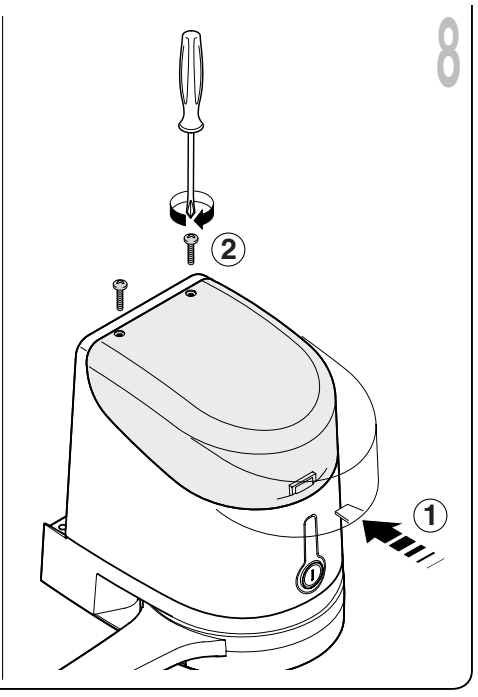
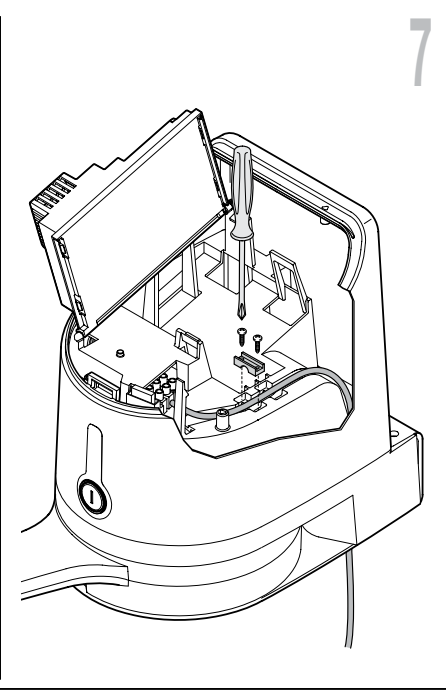
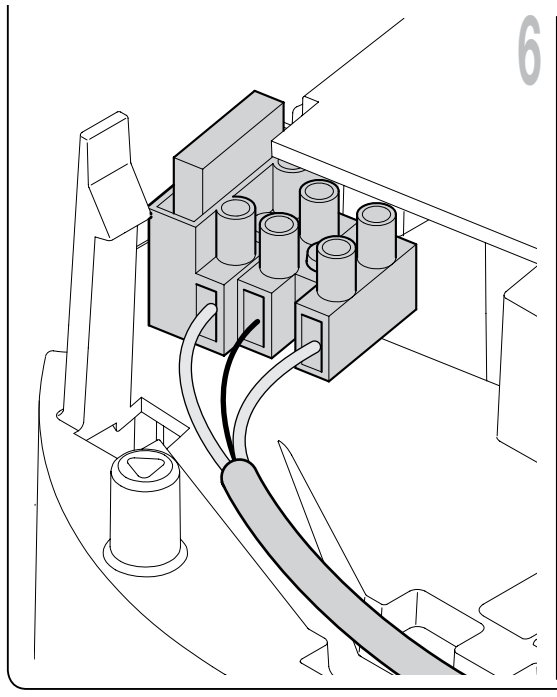


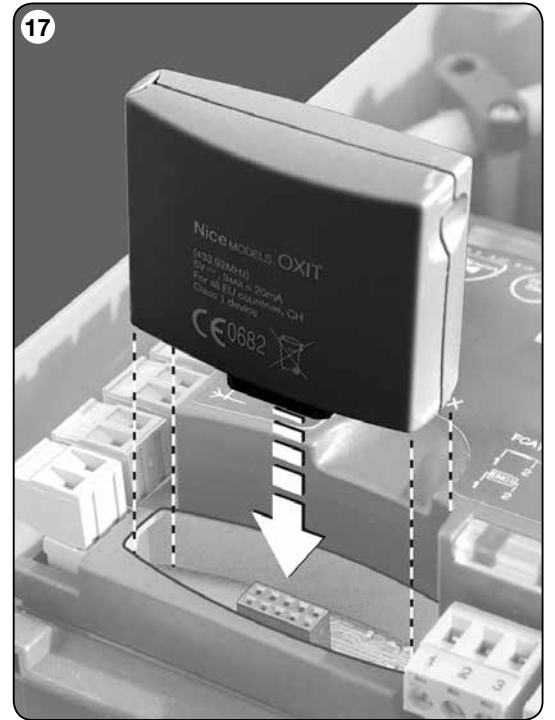
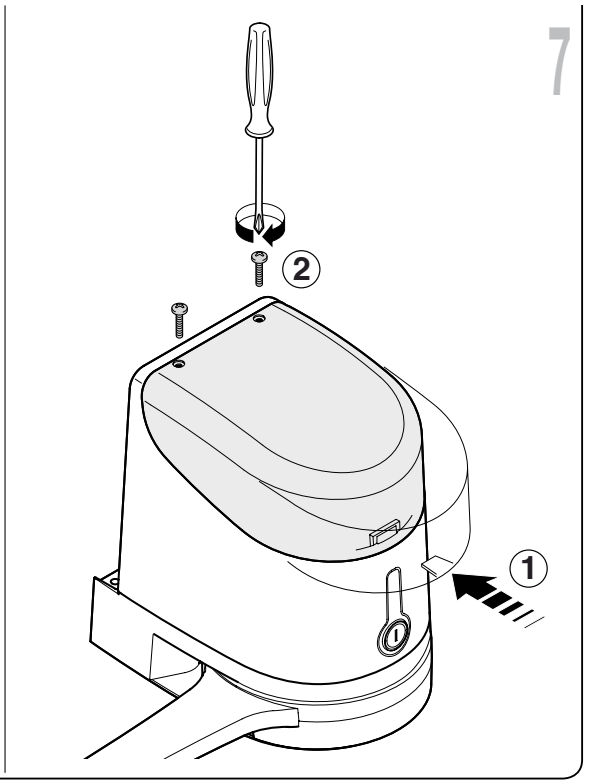
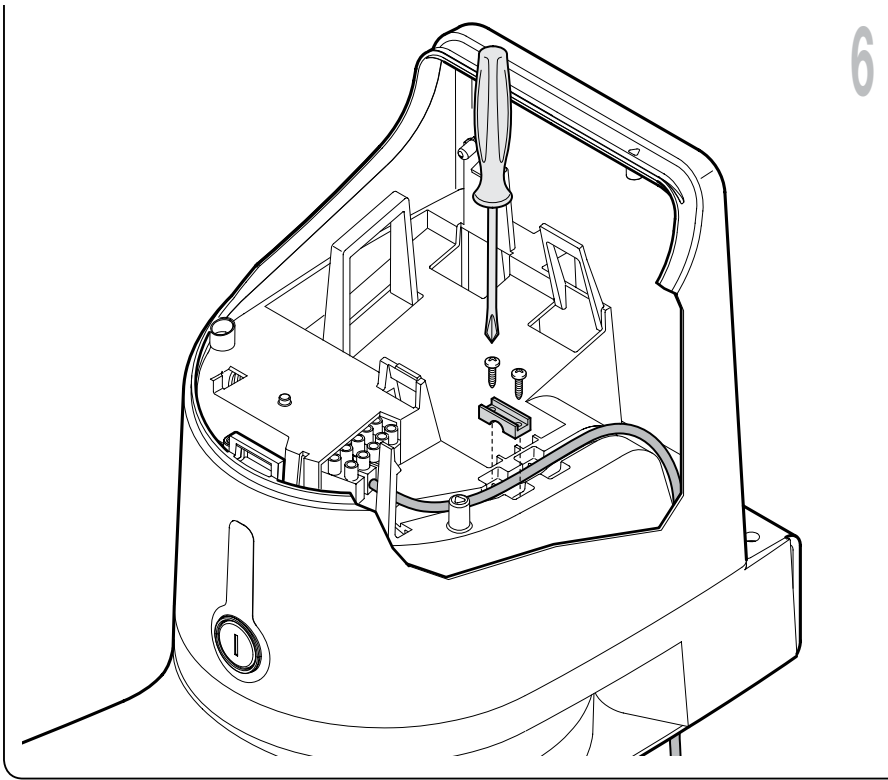
13

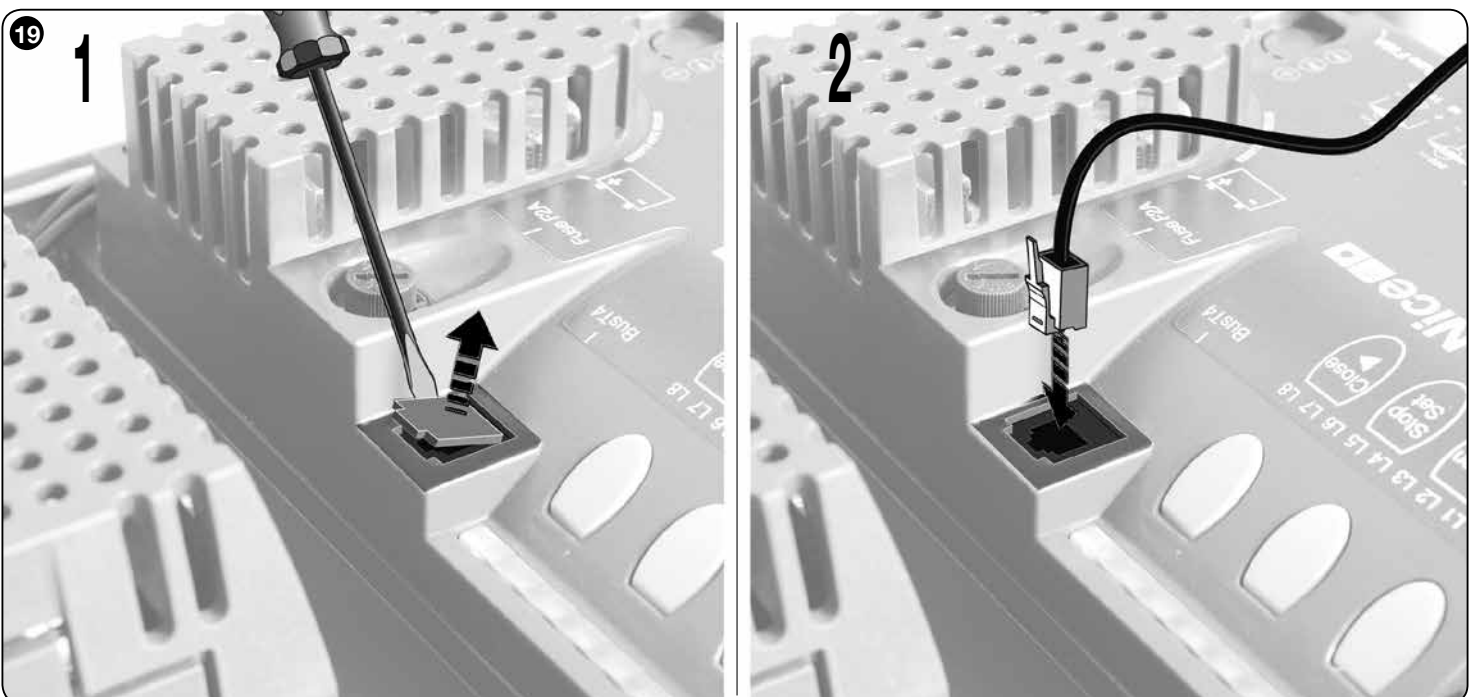
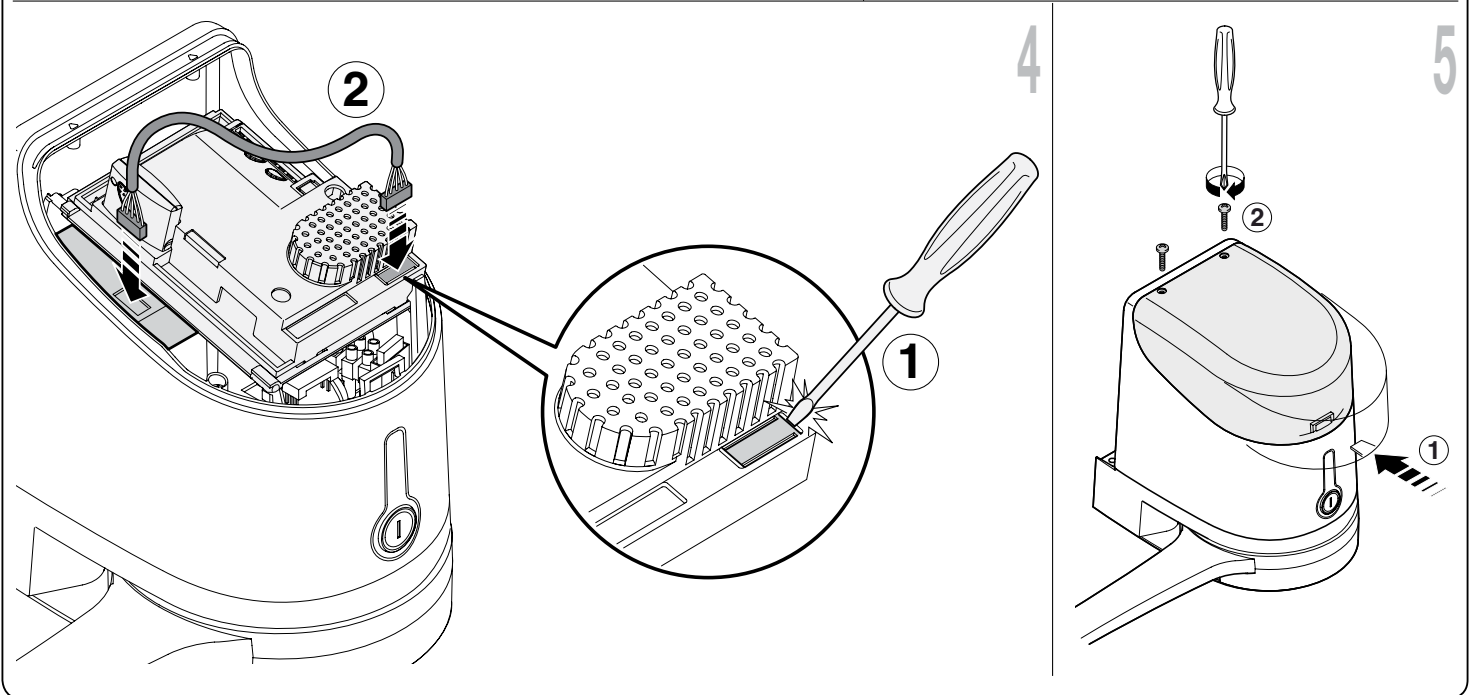
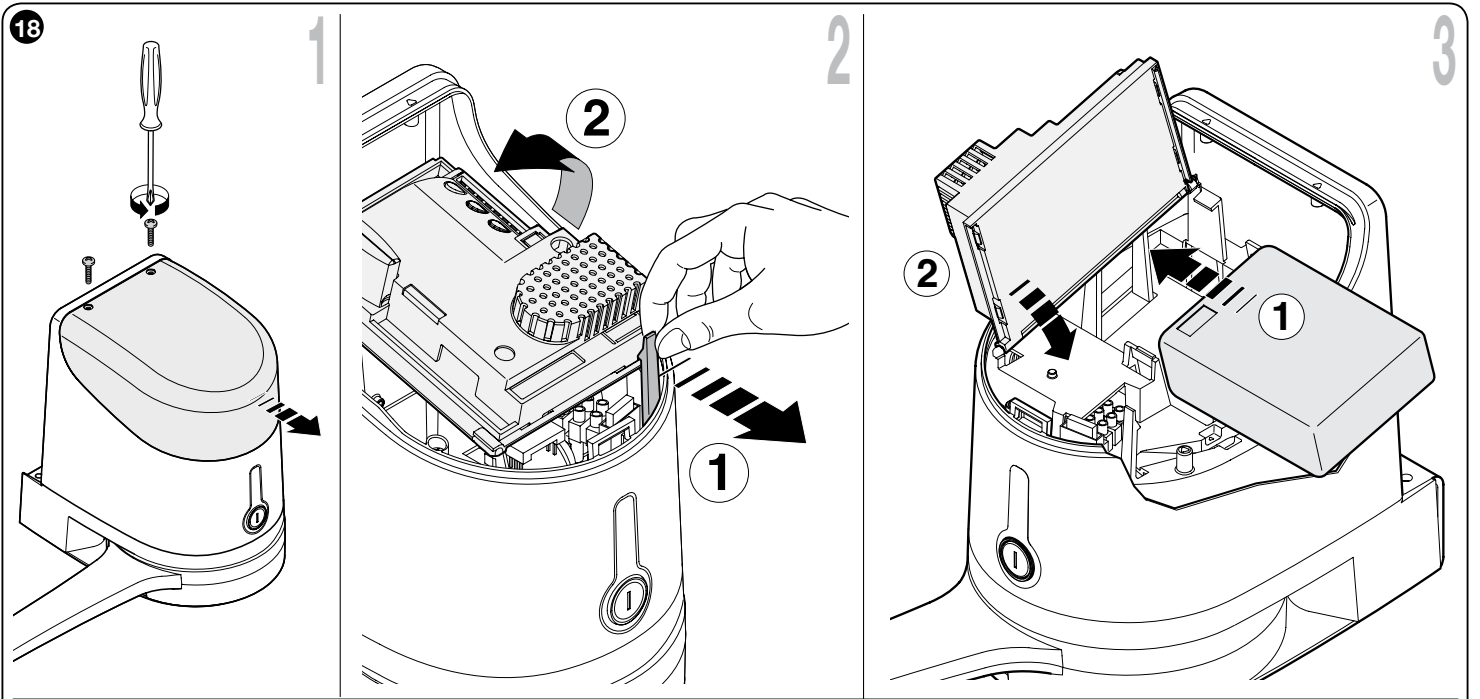


14

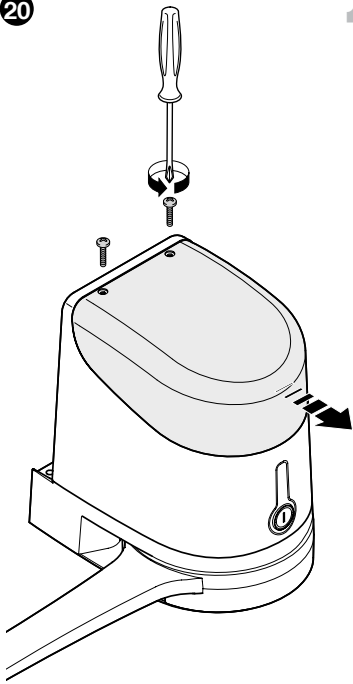




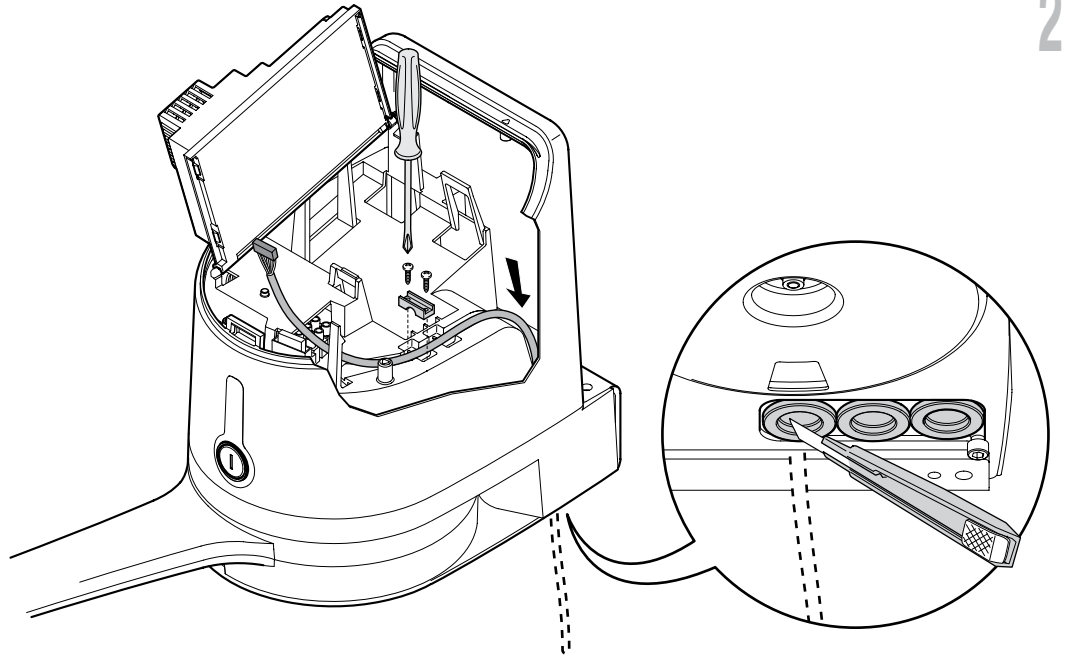




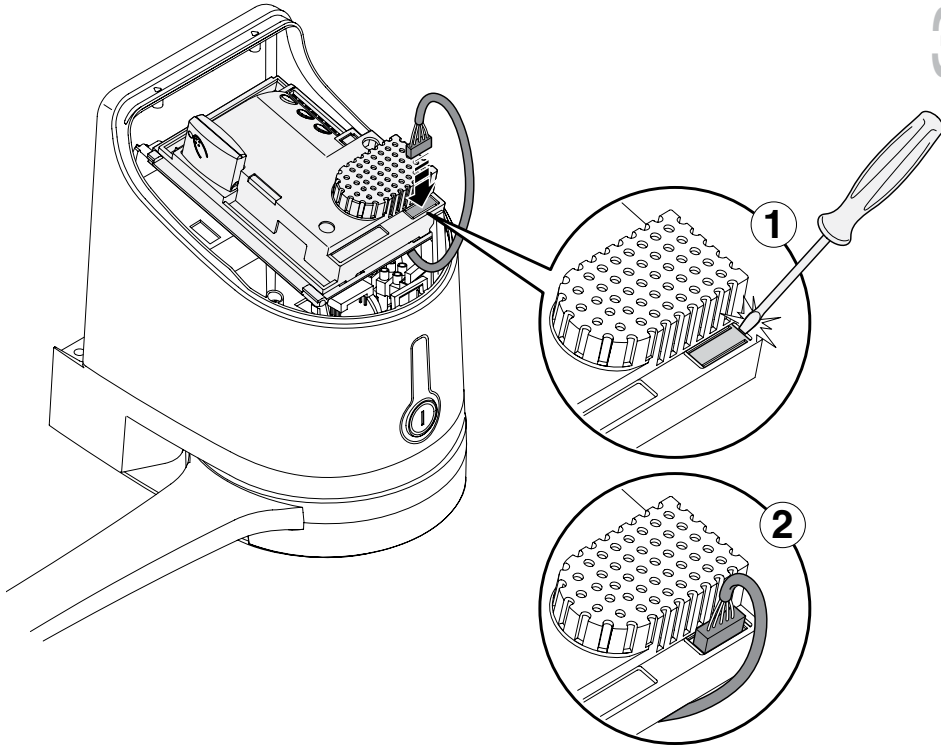
1



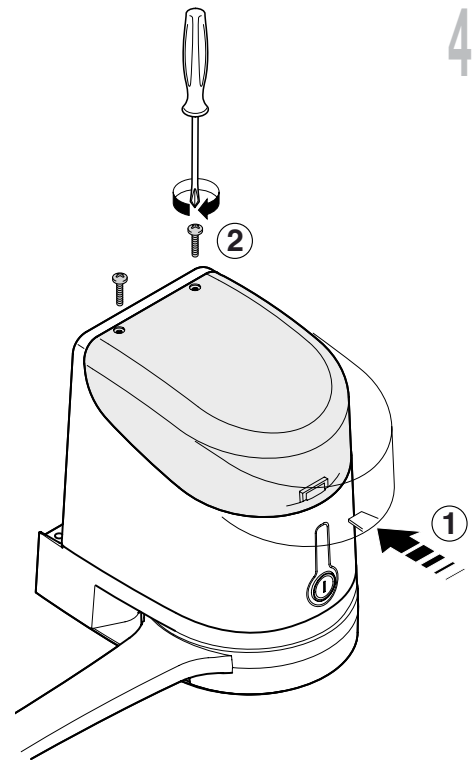
2



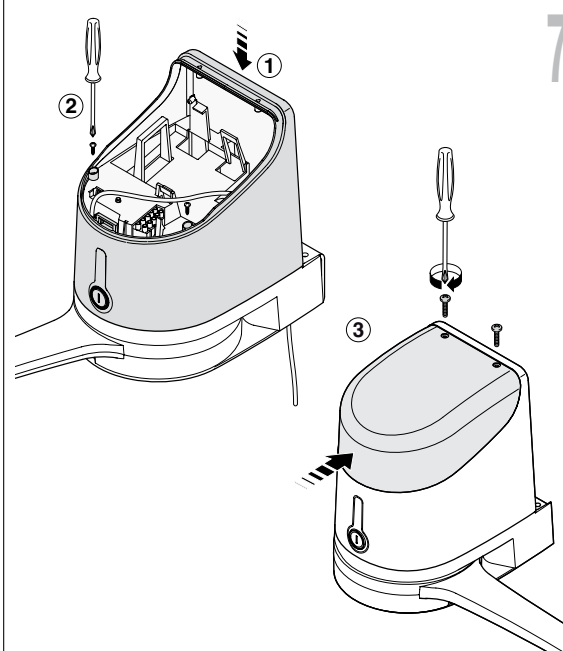
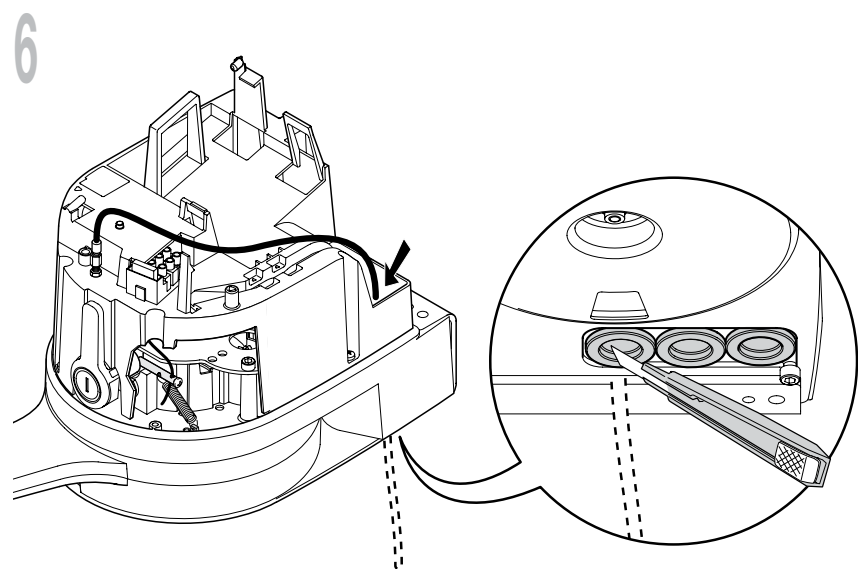
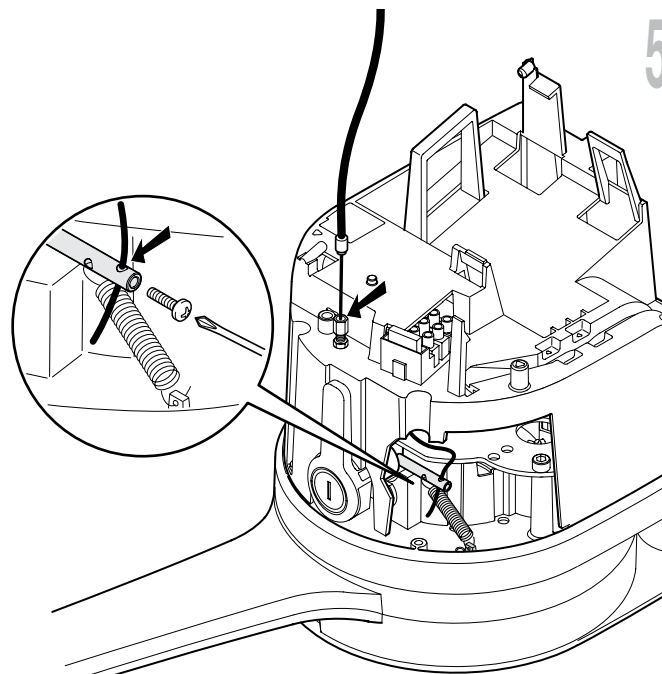
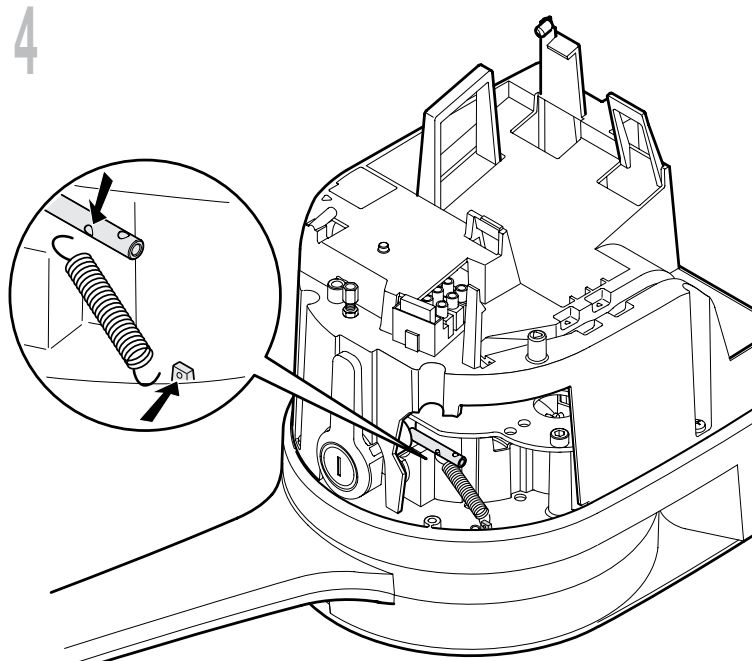
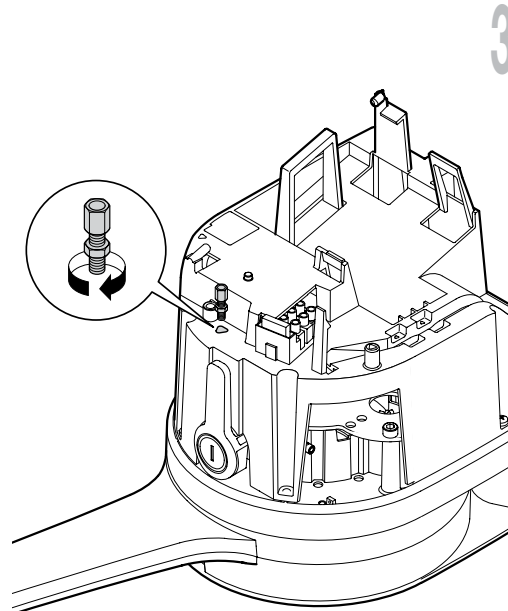
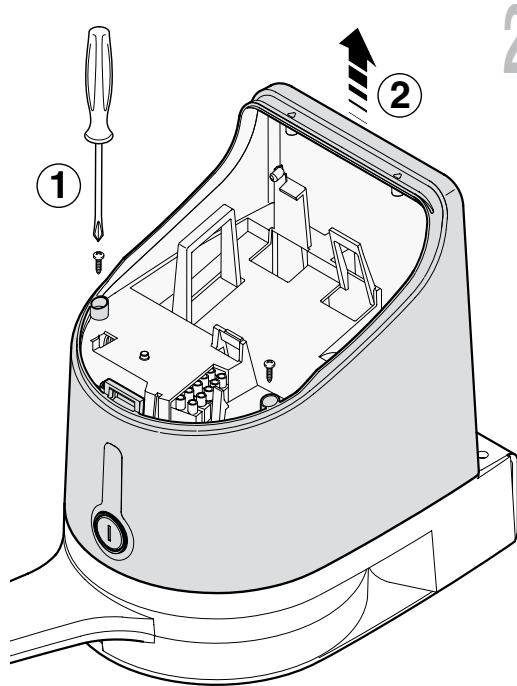
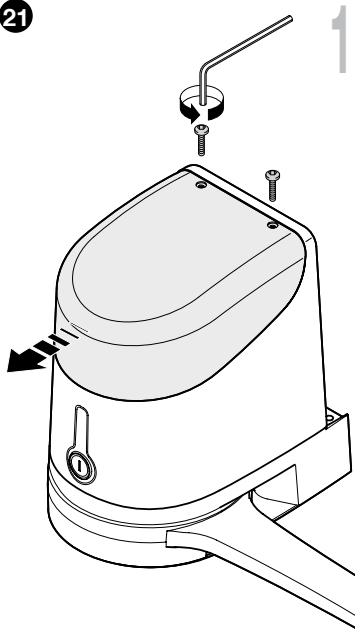
3



4



21



Contents

Images

1 - WARNINGS AND GENERAL PRECAUTIONS	1
1.1 - Safety warnings.....	1
1.2 - Installation warnings.....	1
1.3 - Operation warnings.....	1
2 - PRODUCT DESCRIPTION AND INTENDED USE	1
3 - INSTALLATION	2
3.1 - Preliminary installation checks.....	2
3.2 - Application limits.....	2
3.3 - Preliminary installation set-up work.....	2
3.4 - Installation of gearmotor mod. HK7024 - HK7224 - HK7024HS - HK7224HS.....	2
3.5 - Mechanical limit switch adjustment.....	3
3.6 - Manually releasing and locking the gearmotor.....	4
4 - ELECTRICAL CONNECTIONS	4
4.1 - Electrical connections of gearmotor with control unit mod. HK7024 - HK7024HS.....	4
4.2 - Connection of gearmotor without control unit mod. HK7224 - HK7224HS.....	4
4.3 - Connection of other devices.....	4
4.4 - Routing connected devices.....	5
4.5 - Initial start-up and connection check.....	5
4.6 - Learning of the connected devices.....	5
4.7 - Mechanical limit switch positioning learning.....	5
4.8 - Gate leaf movement check.....	6
5 - TESTING AND COMMISSIONING	6
5.1 - Testing.....	6
5.2 - Commissioning.....	6
6 - CONTROL PANEL PROGRAMMING	7
6.1 - Level 1 programming (ON-OFF functions).....	7
6.2 - Level 2 programming (adjustable parameters).....	8
6.3 - Special functions.....	9
6.4 - Deleting the memory.....	9
7 - TROUBLESHOOTING... (troubleshooting guide)	9
8 - FURTHER INFORMATION	11
8.1 - Connecting a radio receiver.....	11
8.2 - Connecting and installing the buffer battery mod. PS124.....	11
8.3 - Connecting the Oview programmer.....	11
8.4 - Connecting the solar power system Solemyo.....	11
8.5 - Connecting the external release system Kio.....	11
9 - PRODUCT MAINTENANCE	12
PRODUCT DISPOSAL	12
Product lifetime	12
TECHNICAL SPECIFICATIONS OF PRODUCT	13
CE DECLARATION OF CONFORMITY	14
APPENDIX	I
Instructions and warnings for the user.....	II

1 WARNINGS AND GENERAL PRECAUTIONS

1.1 - Safety warnings

- **IMPORTANT! – This manual contains important instructions and warnings regarding safety.** Incorrect installation may cause serious injury. Before commencing work, all sections of the manual must be read carefully. If in any doubt, suspend installation and call the Nice Support Service for clarification.
- **IMPORTANT! – This manual contains important instructions. Keep it for future maintenance work and disposal of the product.**
- **IMPORTANT! – Under the latest European legislation, automatic door and gate installations must be compliant with the standards specified in Directive 2006/42/EC (formerly 98/37/EC) (the Machinery Directive) and the standards EN 12445, EN 12453, EN 12635 and EN 13241-1 in particular, which enable conformity of the automated functionality to be declared. In the light of the above, all work involving installation, connection, testing and maintenance of the product must be carried out exclusively by qualified and competent technicians!**

1.2 - Warnings for installation

- Before commencing the installation, check if the product is suitable for the desired type of use (see "Usage limitation" paragraph 3.2 and the "Product technical specifications"). If it is not suitable, DO NOT continue with the installation.
- The contents of this manual refer to a standard system as described in **fig. 3**.
- **All installation and maintenance work must be carried out with the automation system disconnected from the electricity supply.** If the power disconnection device cannot be seen from where the automation system is positioned, then before starting work a notice must be attached to the disconnection device bearing the words "CAUTION! MAINTENANCE IN PROGRESS".
- The Control unit must be connected to an electricity supply line equipped with protective earthing.
- Handle the product with care during installation, taking care to avoid crushing, denting or dropping it, or contact with liquids of any kind. Keep the product away from sources of heat and naked flames. Failure to observe the above can damage the product, and increase the risk of danger or malfunction. Should this occur, suspend installation work immediately and contact the Nice Support Service.
- Do not modify any part of the product. Prohibited modifications can only lead to malfunctions. The manufacturer declines all responsibility for damage resulting from unauthorized changes made to the product.
- If the gate or door being automated has a pedestrian gate, then the system must include a control device that will inhibit the operation of the motor when the pedestrian gate is open.
- The product's packaging material must be disposed of in full compliance with local regulations.

1.3 - Warnings for use

- The product is not intended for use by persons, including children, with limited physical, sensory or mental capacities, or who lack experience or knowledge, unless supervised or trained in the use of the product by a person responsible for their safety.
- Any children near the automation system must be kept under supervision to ensure that they do not play with it.
- Do not allow children to play with the fixed control devices. Keep remote control devices out of the reach of children.

2 PRODUCT DESCRIPTION AND INTENDED USE

The devices comprising this product are designed to automate a gate or door with one or two leaves. **IMPORTANT! – Any other use apart from that described herein, including in different environmental conditions from those described in this manual is to be considered improper use and is not permitted!**

The principal component of the automation system comprises one or two electric gearmotors (according to the number of leaves to be automated), each equipped with a direct current motor and epicyclic reduction gear. One of the gearmotors (mod. HK7024 - HK7024HS) has a control unit that controls its operation. The Control unit consists of a board with a radio receiver for receiving the commands sent by the transmitter.

The control unit is designed for connection to several devices belonging to the Opera system, the Bluebus system and the Solemyo solar powered system, see chapter 8 - Further information

If it is mains powered, it can house a back-up battery (mod. PS124, optional accessory) which in the event of a power cut (electricity black-out) guarantees that the automated device will perform certain manoeuvres in the hours that follow.

In the event of a power cut, the gate leaves can be moved by releasing the gearmotor with the dedicated key; to perform the manoeuvre manually please see chapter 3.6.

Other available accessories include the receivers designed with "SM" connectors (SMXI, OXI, etc.), see chapter 8 - Further information.

3.1 - Pre-installation checks

Before going ahead with the installation, check the integrity of the product components, and ensure the model chosen is suitable for its intended use and for the environment in which it is to be installed.

- Check that all the material to be used is in excellent condition and suitable for its intended use.
- Check that the ground-mounted mechanical stops (not supplied), are present both when opening and closing the automation system.
- Check that the mechanical structure of the gate is suitable for the installation of automation and compliant with locally applicable regulations (if necessary, refer to the label on the gate). This product cannot be used to automate a gate which is not already in good, safe working order, neither can it fix faults caused by incorrect installation or poor maintenance of the gate.
- Check that the operating conditions of the devices are compatible with the usage limitation declared (see paragraph 3.2).
- Move the gate leaves manually in both directions and ensure that the resistance to movement is constant at all points of travel (there should not be any points where more force or less is required).
- Bring the gate leaves manually into a position at random, then let go and check that they remain stationary.
- Check that the gearmotor fixing zone is compatible with its overall dimensions (fig. 1).
- Check that the place where the gearmotor is to be installed allows enough space for its arm to execute its full range of movement.
- Check that there is sufficient room around the gearmotor for it to be released manually when required.
- Ensure that the surfaces on which the various devices are to be installed are strong and capable of ensuring a firm hold.
- Ensure that each device is installed in a position which is protected and does not expose it to accidental impacts.
- Ensure that all the electrical cables to be used are the type listed in Table 1.

3.2 - Application limits

Before installing the gearmotor, ensure that the specifications meet the requirements in terms of application limits as stated below and within the limits as specified in "Product Technical Specifications".

With the LONG motor arm:

- maximum leaf width: 3.50 m (= maximum leaf weight: 200 kg)

With the SHORT motor arm:

- maximum leaf width: 3.00 m (= maximum leaf weight: 180 kg)

HS VERSION:

With motor arm in FULL and REDUCED length:

- maximum leaf width: 3.00 m (= maximum leaf weight: 180 kg)

• Checks to perform: note on Graph 1 alongside, the weight and width of the leaf; trace two lines from this point and check that these intersect within one of the two grey areas of the graph. **Caution!** - If the lines intersect in the white area, this product cannot be used to automate the gate.

• To enable installation of the gearmotor, the minimum column width must be 210 mm.

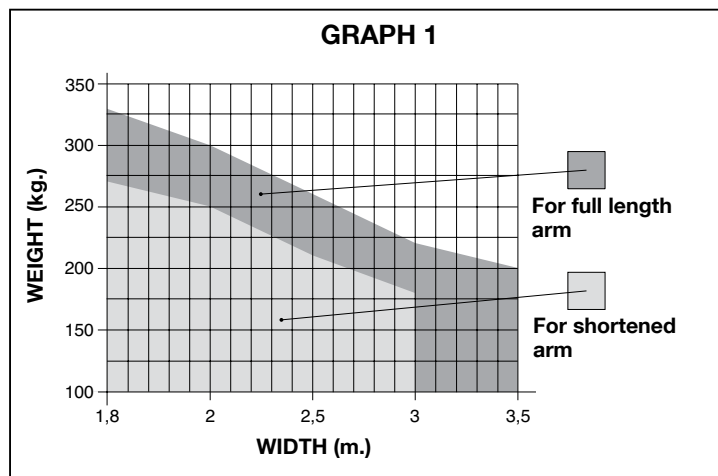
• The arm fixing bracket must be located in a resistant area of the leaf (for example the frame), to guarantee a solid and safe fixture;

• Check position "E" (fig. 2):

- If position "E" is between 300 mm (minimum) and 650 mm (maximum), the gearmotor arm must be set at the SHORT length. In these conditions, the maximum leaf opening can reach 90°.

- If position "E" is equal to or over 650 mm, the gearmotor arm must be

set at the LONG length. In these conditions, the maximum leaf opening can reach 110°.



3.3 - Preliminary installation set-up work

Fig. 3 provides an example of an automation system, produced using Nice components (some components may not be present in the kit):

- a - Gearmotor with control unit model HK7024 - HK7024HS
- b - Gearmotor without control unit model HK7224 - HK7224HS
- c - Flashing light
- d - Pair of photocells model MOFB
- e - Digital keypad (mod. MOTB) - Transponder badge reader (mod. MOMB) - Key-operated selector switch (mod. MOSE)
- f - Pair of posts for photocells
- g - Mechanical stop on closing
- h - Electric lock

These parts are positioned according to a typical standard layout. With reference to fig. 3, locate the approximate position for installation of each component envisaged in the system. **Important** - Before installation, prepare the electric cables required for the system, with reference to fig. 4 and "Table 1 - Technical specifications of electric cables".

Caution! - When laying the ducting for routing the electrical cables, also take into account that due to possible deposits of water in the routing ducts, the connection pipelines must not create condensate in the control unit, with consequent damage to the electronic circuits.

3.4 - Installation of gearmotor mod. HK7024 - HK7224 - HK7024HS - HK7224HS

WARNINGS

- Incorrect installation may cause serious physical injury to those working on or using the system.
- Before starting automation assembly, make the preliminary checks as described in paragraphs 3.1 and 3.2.

Before starting installation, determine the length of the gearmotor arm with reference to paragraph 3.4.1.

3.4.1 - Determining the length of the gearmotor arm

01. Assemble the components of the motor arm as shown in fig. 5.

02. Establish the position of the gearmotor in the VERTICAL direction: on the column, trace a horizontal line at the same height as the designated position of the fixing bracket for the arm on the leaf after installation (fig. 6).

03. Establish the position of the gearmotor in the HORIZONTAL direction (position A):

TABLE 1 - Technical specifications of electric cables (fig. 4)

Connection	Cable type	Maximum admissible length
A: Cable CONTROL UNIT POWER SUPPLY	1 Cable 3 x 1,5 mm ²	30 m (note 1)
B: ELECTRIC LOCK Cable	1 Cable 2 x 1 mm ²	6 m
C: BLUEBUS DEVICE cable	1 Cable 2 x 0,5 mm ²	20 m (note 2)
D: KEY-OPERATED SELECTOR SWITCH cable	2 Cables 2 x 0,5 mm ² (note 3)	50 m
E: GEARMOTOR POWER SUPPLY Cable ENCODER CONNECTION cable	1 Cable 3 x 1,5 mm ² (note 4) 1 Cable 2 x 1 mm ² (note 4)	10 m 10 m
F: FLASHING LIGHT with aerial cable	1 Cable 2 x 0,5 mm ² 1 RG58 type shielded cable	20 m 20 m (less than 5 m recommended)

Note 1 - If the power cable exceeds a length of 30 m, use a cable with a larger section (3x2.5 mm²); in this case earthing is required in the vicinity of the automation.

Note 2 - If the Bluebus cable exceeds a length of 20 m, up to a maximum of 40 m, use a cable with a larger section (2 x 1 mm²).

Note 3 - These 2 cables may be replaced with a single cable of 4 x 0,5 mm².

Note 4 - These cables may be replaced with a single cable of 5 x 1,5 mm².

CAUTION! - The cables used must be suited to the type of environment of the installation site.

CAUTION! – If there is a fixed obstacle (wall, tree, etc.) in the vicinity of the installation area, measure **value E** (fig. 2) and proceed as follows:

- if **value E** is equal to or greater than 650 mm, refer to paragraph 3.4.2
- if **value E** is between 300 mm (minimum) and 650 mm (maximum), refer to paragraph 3.4.3

3.4.2 - Installing the gearmotor with the LONG MOTOR ARM LENGTH

- 01. a)** On the column, measure **value B** (fig. 7) = distance between the leaf rotation fulcrum and the column surface designated for fixture of the rear gearmotor bracket.
- b)** Move the leaf to the required opening position (maximum 110°): value of angle.
- c)** On **Graph 2** note the obtained **value B** and from this point, trace a horizontal line until it intersects the **area** covering the angle value measured in point **b**.
- d)** At the points of intersection between the horizontal line and the area, trace vertical lines to determine the feasible values for **value A** (fig. 8). **Then choose a value for A within this range.**
- e)** On the column, mark the value found for **value A** and trace a vertical line at this point.

02. Fixing the bracket on the column (fig. 9):

- f) phases 1-2:** Place the bracket on the column, aligning its vertical centreline with the previously traced vertical line (value A), and its arm with horizontal line traced during procedure 3.4.1. In this phase, ensure that the gearmotor is perfectly level: an offset gearmotor can cause automation malfunctions.
- g) phases 3-4:** Mark the fixing points, drill the holes in the column and insert the plugs, and then secure the bracket using suitable screws and washers.

03. Fixing the gearmotor arm on the leaf:

- h)** Move the gate leaf to the maximum closing position;
- i) phase 5:** Fix the gearmotor to the bracket with the two screws and nuts supplied;
- l)** Release the gearmotor; see chap. 3.6;
- m) phase 6:** Firmly push the gearmotor arm **to its maximum extension. Caution! - Ensure that the arm stops and locks in place at its travel limit;**
- n)** Move the arm towards the leaf, and position the fixing bracket on the leaf.
- o) phase 7:** Ensure that the gearmotor arm is perfectly level and use a pencil to mark **the centre of the profile of the slots** on the bracket, to enable future fine adjustment of leaf closure (see paragraph 4.8).
- p)** Use one hand to keep the bracket in contact with the leaf and perform a complete opening and closing cycle.
- q) phase 8:** Drill the leaf at the marked points, remove the bracket from the arm and fix it on the gate leaf with suitable screws.
- r) phase 9:** Fix the arm to the bracket, inserting the pin and Benzing snap ring. **Important** – Check that the bracket and arm are perfectly level. If necessary, loosen the screws and level correctly.
- s)** Position the mechanical limit stops with reference to chap. 3.5;
- t) phase 10:** Lastly, manually move the gate leaf to approx. mid-travel and block the gearmotor with the relative key (see chap. 3.6). Then manually move the gate leaf by a few centimetres in the opening direction.

- 04.** If the gate to be automated is a two-leaf model, repeat the same operations as described in this chapter 3.4 to install the second gearmotor.

3.4.3 - Installing the gearmotor with the SHORT MOTOR ARM LENGTH

Caution! – In this configuration, the maximum admissible leaf opening is 90°.

- 01. a)** On the column, measure **value B** (fig. 7) = distance between the leaf rotation fulcrum and the column surface designated for fixture of the rear gearmotor bracket.
- b)** On **Graph 2** note the obtained **value B** and from this point, trace a horizontal line until it intersects the **area** covering the range 90° - 95°.
- c)** At the points of intersection between the horizontal line and the area, trace vertical lines to determine the feasible values for **value A** (graph 2). **Then choose a value for A within this range.**
- d)** On the column, mark the value found for **value A** and trace a vertical line at this point.

02. Fixing the bracket on the column (fig. 10):

- e) phases 1-2:** Place the bracket on the column, aligning its vertical centreline with the previously traced vertical line (value A), and its arm with horizontal line traced during procedure 3.4.1. In this phase, ensure that the gearmotor is perfectly level: an offset gearmotor can cause automation malfunctions.
- f) phases 3-4:** Mark the fixing points, drill the holes in the column and insert the plugs, and then secure the bracket using suitable screws and washers.
- g)** Move the gate leaf to the maximum closing position;
- h) phase 5:** Fix the gearmotor to the bracket with the two screws and nuts supplied;
- i)** Release the gearmotor; see chap. 3.6;

03. Check the length of the slotted arm with respect to the configuration:

- l) phase 6:** Move the arm towards the leaf, and position the fixing bracket on the leaf. **Caution! - manually push the curved arm against the leaf until the arm is locked in place (maximum opening).**
- m) phase 7:** Ensure that the gearmotor arm is perfectly level and use a pencil to mark **the centre of the profile of the slots** on the bracket, to enable future fine adjustment of leaf closure (see paragraph 4.8).
- n)** Provisionally secure the bracket on the leaf and move the latter to the maximum opening position.

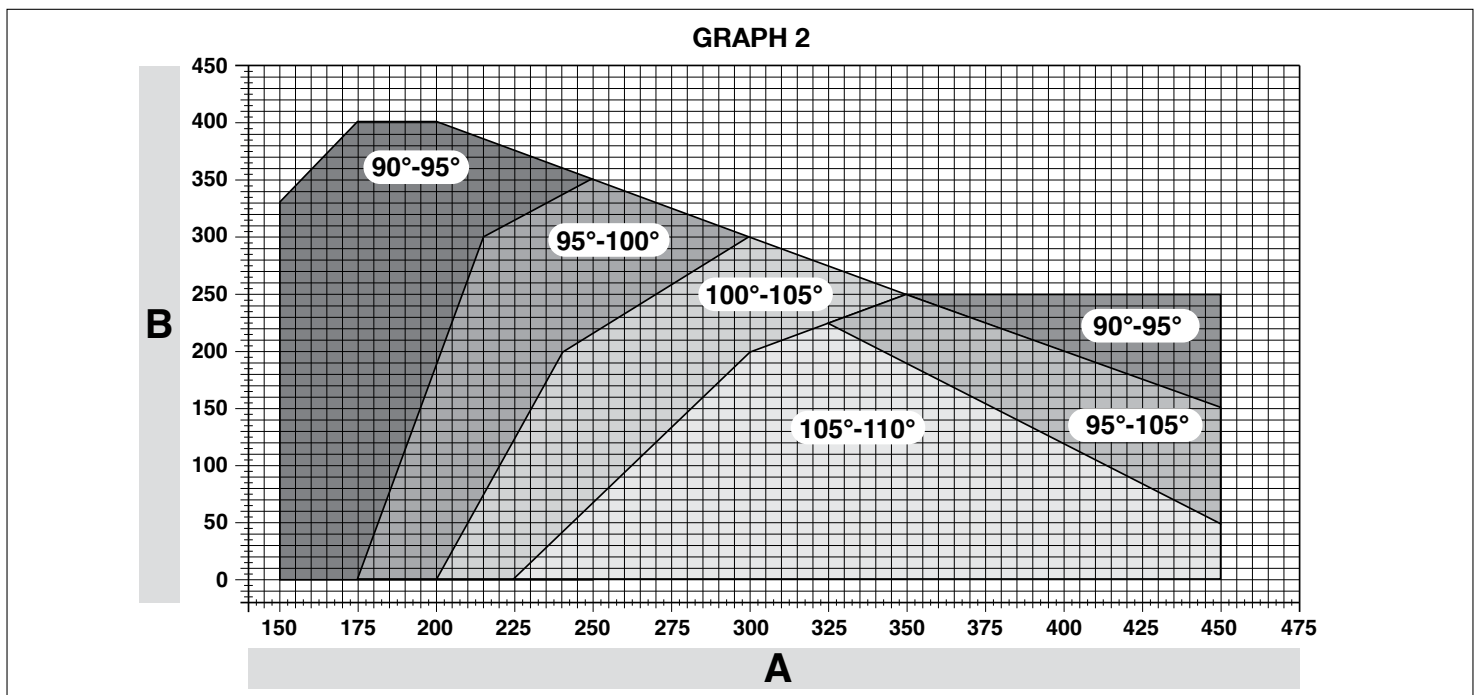
04. Fixing the gearmotor arm on the leaf:

- o) phase 8:** Drill the leaf at the previously marked points.
- p) phases 9-10:** Remove the bracket from the arm and fix it on the gate leaf with suitable screws.
- q) phase 11:** Fix the arm to the bracket, inserting the pin and Benzing snap ring. **Important** - Check that the bracket and arm are perfectly level. If necessary, loosen the screws and level correctly.
- r)** Position the mechanical limit stops with reference to chap. 3.5;
- s) phase 12:** Lastly, manually move the gate leaf to approx. mid-travel and block the gearmotor with the relative key (see chap. 3.6). Then manually move the gate leaf by a few centimetres in the opening direction.

- 05.** If the gate to be automated is a two-leaf model, repeat the same operations as described in this chapter 3.4 to install the second gearmotor.

3.5 - Mechanical limiter adjustment

- 01.** Manually move the gate leaves to the maximum opening position;
- 02.** Rotate the plastic disk on the lower section of the gearmotor, to position the aperture under the arm as shown in **fig. 11-1**;
- 03.** Insert the limiter in the first possible place: try to insert as shown in **fig. 11-2** (opening direction);
- 04.** Rotate the disk to prevent the limiter from dropping, moving the aperture to the position shown in **fig. 11-3**; for more precise adjustments, use the adjustment screw (**fig. 11-4**);



05. If there is no floor-mounted stop in the system, this procedure must be repeated from point 01 also for the closing limiter.
06. Lastly, tighten the disk fixing nut fully down (fig. 11-5) to ensure that it does not rotate accidentally.

3.6 - Manually releasing and locking the gearmotor

The gearmotor is equipped with a mechanical blocking system to enable manual opening and closing of the gate.

These manual operations should only be performed in the event of a power failure, malfunctions or during the installation procedures.

Release (fig. 12-A):

01. Insert the key in the relative lock;
02. Turn the key clockwise (90°);
03. The lever comes out under action of a spring: turn the lever anti-clockwise through 90°;
04. At this point the leaf can be moved manually to the required position.

Lock (fig. 12-B):

01. Turn the lever through 90° to place the stem in a vertical position;
02. Push the lever back into its seat;
03. Turn the key anti-clockwise through 90° and remove.

4 ELECTRICAL CONNECTIONS

The electrical connection of the various devices (photocells, digital keyboard, transponder card readers, etc.) contained in the automation with the control unit must be made by means of the Nice "Bluebus" system.

Description of electrical connections (fig. 13)

AERIAL	input for the radio receiver aerial
FLASH	output for 1 flashing light with 12V (maximum 21W) bulb. [*]
ELS	output for 12Vac (maximum 15VA) electric lock. [*]
S.C.A.	"Open Gate Light": output for 1 indication lamp (24V maximum 4W). [*]
BLUEBUS	input for compatible devices (MOFB, MOFOB, MOB and MOTB); they are connected in parallel using two conductors through which both the electricity supply and the communication signals travel; no polarity needs to be observed. The electrical connection to be used is of the parallel type and no polarity needs to be observed. During the learning stage, the control unit will recognise individually all devices connected to it thanks to a unique code. Each time a device is added or eliminated, it will be necessary to make the control unit perform the learning operation (see paragraph 4.6).
STOP	input for devices that cause the immediate interruption of the manoeuvre in progress (with a short reverse run); NO and NC contacts, as well as devices with 8.2 kΩ constant resistance output (sensitive edges) can be connected to this input. – connect a number of NO devices in parallel without quantity limits; – several NC devices can be connected in series, with no limits as to quantity; – connect 2 devices with 8.2 kΩ constant resistance output in parallel. If there are more than 2 devices, they must be connected in a cascade with just one 8.2 kΩ termination resistance; – connect 2 NO and NC devices in parallel, placing a 8.2 kΩ resistance in series on the NC contact (this also allows for a combination of three devices NO - NC and 8.2 kΩ)
P.P.	input for devices which control Step-by-Step manoeuvres. NO contacts can be connected to this input
OPEN	input for devices which control only opening manoeuvre. NO contacts can be connected to this input
CLOSE	input for devices which control only closure manoeuvre. NO contacts can be connected to this input
ENC1	input encoder – gearmotor 1 (terminal 1, 2); it is not necessary to observe any polarity

ENC2	input encoder – gearmotor 2 (terminal 4, 5); it is not necessary to observe any polarity
M1	output for gearmotor 1 (terminal 7, 8, 9)
M2	output for gearmotor 2 (terminal 10, 11, 12)
[*] The outputs FLASH, ELS and S.C.A. can be programmed with other functions (see "TABLE 3 - Level 1 functions"; or via the Oview programmer; see paragraph 8.3).	

4.1 - Electrical connections of gearmotor with control unit mod. HK7024 - HK7024HS

Caution! – Only make the electrical connections after installing the gearmotor.

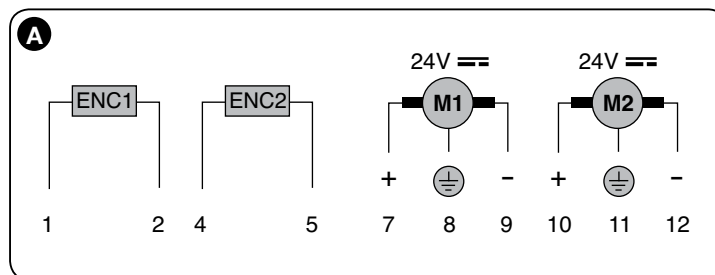
WARNINGS

– **Connections must be made exclusively by qualified personnel.**
– **All electrical connections must be made with the unit disconnected from the mains power supply and with the buffer battery disconnected (if present).**

– The electrical power line must be fitted with a device that enables complete disconnection of the automation from the mains. The disconnection device must have a gap between contacts that ensures complete disconnection in the conditions of overvoltage category III, in compliance with installation regulations. If necessary, this device guarantees rapid and safe disconnection from the mains, and therefore should be located in view of the automation. However, if located in a concealed position, it must have a system that blocks against inadvertent or unauthorised reconnection to prevent all risks. The disconnection device is not supplied with the product.

01. Open the cover (fig. 14-1);
02. Raise the control unit (fig. 14-2);
03. Pass the power cable and other cables through one of the holes on the lower section of the gearmotor; strip the sheath on the cable (fig. 14-4);
04. Unscrew the cable clamp and route the power cable as required (fig. 14-5);
05. First connect the power cable, see fig. 14-6;
06. Secure the power cable with the cable clamp (fig. 14-7);
07. Then connect the electric cables of motors M1 and M2, observing the symbols on the label (fig. A):
 - a) connect the motor that activates the subordinate leaf (the second to start the opening manoeuvre) to terminal M1 (7-8-9) and then the respective encoder to terminals 1-2;
 - b) connect the motor that activates the main leaf (the first to start the opening manoeuvre) to terminal M2 (10-11-12) and then the respective encoder to terminals 4-5;

IMPORTANT! – If there is only one gearmotor in the system, connect it to terminal M2 leaving terminal M1 free;



08. Then connect the electric cables of the various devices present, with reference to fig. 17 and paragraph 4.3
Note – To facilitate cable connections, the terminals can be removed from their seats;
09. Close the cover of the gearmotor (fig. 14-8).

4.2 - Connection of gearmotor without control unit mod. HK7224 - HK7224HS

01. Open the cover as shown in fig. 15-1;
02. Pass the motor cable through one of the holes on the lower section of the gearmotor; strip the sheath on the cable (fig. 15-2);
03. Unscrew the cable clamp (fig. 15-3), place the cable in the relative route and connect the wires as shown in fig. 16-4; observe the symbols on the label;
03. Secure the cable with the cable clamp (fig. 15-5);
04. Close the cover of the gearmotor (fig. 15-6).

4.3 - Connection of other devices

If further devices present in the system need to be powered, for example a transponder card reader or the key selector light, these devices can be connected to the control unit using terminals "P.P. (positive)" and "STOP (negative)" (fig. 13). The power supply voltage is 24 Vdc, -30% ÷ +50%, with maximum available current 200 mA.

Note – The voltage present on terminals "P.P." and "STOP" remains connected even when the "Stand By" function is activated on the card.

4.4 - Routing connected devices

To enable control unit recognition of the devices connected to the BlueBus system, they need to be routed. This operation must be performed by positioning the electric jumper correctly on each device: see **fig. B**.

To route other devices, consult the relative instruction manuals.

At the end of the installation procedure, or after removing photocells or other devices, the device learning procedure must be performed as described in paragraph 4.6.

B

PHOTOCELL ADDRESSES	
Photocell	Jumpers
FOTO External photocell h = 50 with trip on closure (stops and inverts movement)	
FOTO II External photocell h = 100 with trip on closure (stops and inverts movement)	
FOTO 1 Internal photocell h = 50 with trip on closure (stops and inverts movement) and opening (stops and restarts when photocell is disengaged)	
FOTO 1 II Internal photocell h = 100 with trip on closure (stops and inverts movement) and opening (stops and restarts when photocell is disengaged)	
FOTO 2 Internal photocell with trip on opening (stops and inverts movement)	
FOTO 2 II Internal photocell with trip on opening (stops and inverts movement)	
FOTO 3 CONFIGURATION NOT ADMITTED	

4.5 - Initial start-up and electrical connections

After powering up the control unit, perform the following checks:

- After a few seconds, make sure that the “Bluebus” LED (**fig. 16**) flashes regularly with a frequency of about one flash per second.
- Make sure that the LEDs on the photocells (**fig. 16**) flash (both on TX and RX). The type of flashing is not important during this stage.
- Make sure that the flashing light connected to the FLASH output is off.

If the above conditions are not satisfied, switch off the power supply to the control unit and check the electrical connections previously made.

4.6 - Learning of the devices connected

After the initial power-up, the control unit must be able to recognise the devices connected to the “Bluebus” and “Stop” inputs.

IMPORTANT! – The learning procedure must be performed even if no device is connected to the control unit.

The control unit is able to recognise the various connected devices individually through the self-learning procedure and detect possible faults. For this reason it is necessary to perform self-learning every time a new device is added or an existing device is removed.

To indicate when the self-learning procedure is required, LEDs **L1** and **L2** on the control unit (**fig. 16**) emit a number of slow flashes:

- 01.** Press and hold down ◀ and “Set” keys at the same time (**fig. 16**).
- 02.** Release the keys when LEDs L1 and L2 start flashing quickly (after approx. 3 seconds).
- 03.** Wait a few seconds for the control unit to complete the device learning phase.
- 04.** At the end of this phase, the “Stop” LED must be lit and LEDs “L1” and “L2” must be turned off (LEDs L3 and L4 may start flashing).

4.7 - Mechanical limiter position learning

After learning the connected devices (paragraph 4.6), the positions of the mechanical stops must also be learnt (maximum opening and maximum closing). There are three ways to perform this procedure: **automatic**, **manual** and **combined**.

In **automatic mode**, the control unit learns the positions of the mechanical stops and calculates the most suitable offset value for the leafs (SA and SC, **fig. C**).

In **manual mode**, the eight positions of the mechanical stops (**fig. C**) are programmed one by one, moving the leafs to the required points. The position to program is identifiable by the flashing status of one of the eight leds (L1-L8), see **Table 2**.

In **combined mode**, the automatic procedure can be performed and then, using the manual procedure, one or more positions may be modified, with the exception of positions “0” and “1” (**fig. C**) which coincide with the positions of the mechanical stops.

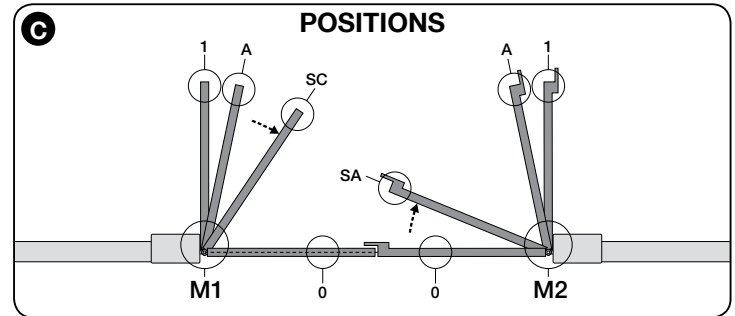


TABLE 2		
Position	Led	Description
Position 0 (motor 1)	L1	Maximum closing position: when leaf 1 reaches closing mechanical stop
Position 0 (motor 2)	L2	Maximum closing position: when leaf 2 reaches closing mechanical stop
Position SA (motor 2)	L3	Opening offset: when leaf 2 passes this position the opening of leaf 1 begins
Position A (motor 1)	L4	Desired opening position: position at which the leaf connected to motor 1 must stop at the end of an opening manoeuvre. This position does not need to coincide with the opening mechanical stop but can be chosen as desired between the positions 0 and 1
Position A (motor 2)	L5	Desired opening position: position at which the leaf connected to motor 2 must stop at the end of an opening manoeuvre. This position does not need to coincide with the opening mechanical stop but can be chosen as desired between the positions 0 and 1
Position SC (motor 1)	L6	Closing offset: when leaf 1 reaches this position, leaf 2 begins to close
Position 1 (motor 1)	L7	Maximum opening position: when leaf 1 reaches the opening mechanical stop
Position 1 (motor 2)	L8	Maximum opening position: when leaf 2 reaches the opening mechanical stop

4.7.1 - Learning in automatic mode for HKA2 control unit: for models HK7024 and HK7024HS

- 01.** Press and hold keys “Set” and “▶” at the same time.
- 02. Model HK7024**
release the “Set” and “▶” keys when leds “L3” and “L4” start flashing quickly (after 4 seconds)
- 02. Model HK7024HS**
release the “Set” and “▶” keys when leds “L5” and “L6” start flashing quickly (after 7 seconds)
- 03.** Ensure that the automation completes the following sequences of manoeuvres:
 - a -** Low speed closure of gearmotor M1 through to the mechanical stop
 - b -** Low speed closure of gearmotor M2 through to the mechanical stop
 - c -** low speed opening of gearmotor M2 and gearmotor M1 through to the mechanical stop
 - d -** High speed closure of gearmotors M1 and M2

Warnings:

- If the first manoeuvre (a) does not close the leaf controlled by motor M1 but closes the one controlled by M2, press key “◀” or “▶” to stop the learning phase. At this point, invert the connections of motors M1 and M2 on the terminals on the control unit and then those of the respective encoders; after this start the procedure from point 01;
- If the first two manoeuvres (a and b) are not “closing” but are “opening”, press key “◀” or “▶” to stop the learning phase. At this point, on the gearmotor that completed the opening manoeuvre, invert the polarity of the two wires of gearmotor M1 (terminals 7 and 9) and of M2 (terminals 10 and 12) and then start the procedure from point 01;
- 04.** At the end of the Closing manoeuvre of the 2 motors (d), leds:
 - “L3” and “L4” = **HK7024**
 - “L5” and “L6” = **HK7024HS**

turn off to indicate that the procedure has been completed correctly.

Warnings:

- During the automatic learning procedure, if a photocell trips or a device connected to the "stop" input is activated, the procedure is interrupted and led L1 starts flashing. To resume the learning process, the procedure must be started again from point 01;
- The automatic learning procedure can be repeated at any time, also after installation; for example following modifications to the position of the mechanical stops.

4.7.2 - Learning in manual mode for HKA2 control unit: model HK7024 ONLY

Caution! – From step 03 onwards:

- to move from led L1 to L8, briefly press key ◀ or ▶ (the led flashes to indicate the current position);
- to move the motor in one or the other direction, press and hold key ◀ or ▶.

01. Press and hold keys "Set" and "▶" at the same time.
02. Release the keys when led "L1" starts flashing (after approx. 1 second);
Note – After 3 seconds have elapsed, if the keys "Set" and "▶" are not released, the "automatic learning" procedure is started up, and not the manual procedure.
03. • **LED L1 flashes: position 0 of M1**
To bring motor 1 to **position 0 (fig. C)**: press and hold down the ◀ or ▶ keys. On reaching the position, release the key to stop the manoeuvre. To memorise the position, press and hold down the "Set" key for at least 3 seconds and then release it (after 2 seconds LED L1 remains on and on releasing the "Set" key LED L2 begins flashing).
- **LED L2 flashes: position 0 of M2**
To bring motor 2 to **position 0 (fig. C)**: press and hold down the ◀ or ▶ keys. On reaching the position, release the key to stop the manoeuvre. To memorise the position, press and hold down the "Set" key for at least 3 seconds and then release it (after 2 seconds LED L2 remains on and on releasing the "Set" key LED L3 begins flashing).
- **LED L3 flashes: position SA of M2**
To bring motor 2 to **position SA (fig. C)**: press and hold down the ◀ or ▶ keys. On reaching the position, release the key to stop the manoeuvre. To memorise the position, press and hold down the "Set" key for at least 3 seconds and then release it (after 2 seconds LED L3 remains on and on releasing the "Set" key LED L4 begins flashing).
- **LED L4 flashes: position A of M1**
To bring motor 1 to **position A (fig. C)**: press and hold down the ◀ or ▶ keys. On reaching the position, release the key to stop the manoeuvre. To memorise the position, press and hold down the "Set" key for at least 3 seconds and then release it (after 2 seconds LED L4 remains on and on releasing the "Set" key LED L5 begins flashing).
- **LED L5 flashes: position A of M2**
To bring motor 2 to **position A (fig. C)**: press and hold down the ◀ or ▶ keys. On reaching the position, release the key to stop the manoeuvre. To memorise the position, press and hold down the "Set" key for at least 3 seconds and then release it (after 2 seconds LED L5 remains on and on releasing the "Set" key LED L6 begins flashing).
- **LED L6 flashes: position SC of M1**
To bring motor 1 to **position SA (fig. C)**: press and hold down the ◀ or ▶ keys. On reaching the position, release the key to stop the manoeuvre. To memorise the position, press and hold down the "Set" key for at least 3 seconds and then release it (after 2 seconds LED L6 remains on and on releasing the "Set" key LED L7 begins flashing).
- **LED L7 flashes: position 1 of M1**
To bring motor 1 to **position 1 (fig. C)**: press and hold down the ◀ or ▶ keys. On reaching the position, release the key to stop the manoeuvre. To memorise the position, press and hold down the "Set" key for at least 3 seconds and then release it (after 2 seconds LED L7 remains on and on releasing the "Set" key LED L8 begins flashing).
- **LED L8 flashes: position 1 of M2**
To bring motor 2 to **position 1 (fig. C)**: press and hold down the ◀ or ▶ keys. On reaching the position, release the key to stop the manoeuvre. To memorise the position, press and hold down the "Set" key for at least 3 seconds and then release it to exit programming (after 2 seconds LED L8 remains on until the "Set" key is released).

Note – Manual programming in a system with a single gearmotor: proceed as described at the beginning of this paragraph from step 01. **At step 03** proceed as follows:

- **Program the positions related to led L1 (0 of M1) and L7 (1 of M1) as follows:** press and hold the "Set" key for at least 3 seconds and then release (after 2 seconds the LED remains on, and on release of the "Set" key the next LED begins flashing).
- **Do not program the positions related to led L3 (SA of M2) - L4 (A of M1) - L6 (SC of M1):** briefly press key ◀ or ▶ to move between positions.

4.7.3 - Learning in combined mode for HKA2 control unit: for models HK7024 and HK7024HS

Perform this procedure after completing the automatic learning cycle:

01. Press and hold keys "Set" and "▶" at the same time.
02. Release the keys when led "L1" starts flashing (after approx. 1 second);
Note – After 3 seconds have elapsed, if the keys "Set" and "▶" are not released, the "automatic learning" procedure is started up, and not the manual procedure.
03. Briefly press key ◀ or ▶ to move the flashing led (L1-L8) to the position to be programmed and proceed for each position, as described in step 03

of the manual learning procedure (paragraph 4.7.2).

Repeat this operation for all other positions to be modified.

To complete the manual learning process, press key "▶" repeatedly to move the led that flashing beyond position L8.

4.8 - Checking movement of gate leaves

At the end of the learning procedure, it is advisable to make the control unit perform a few opening and closing manoeuvres to ensure that the gate moves correctly and to check for installation or setting defects.

01. Press the "Open" key. Check for the correct leaf opening offset and check that the opening manoeuvre includes the acceleration, constant speed and deceleration phases and that the leaf limit switch is set a few centimetres from the opening mechanical stops.
02. Press the "Close" key and check that the closure manoeuvre includes the acceleration, constant speed and deceleration phases. Check that the leaf closure offset is correct. At the end of the manoeuvre, the leaves must be perfectly closed on the mechanical closure stop.
03. Make sure that the flashing light flashes at intervals of 0.5 sec on, 0.5 sec off during manoeuvres.

5 TESTING AND COMMISSIONING

These are the most important phases in the installation of the automation system, in order to guarantee maximum system safety. Testing can also be used to check the devices in the automation system regularly. The automation system testing and commissioning phases must be carried out by qualified experts who must be responsible for determining the tests necessary to check the solutions adopted vis-à-vis the risks involved, and to check the observance of all legal and regulatory obligations: in particular all the requirements of the EN 12445 standard which sets forth the test methods for checking automated gates.

Additional devices must undergo specific testing, both in terms of functionality as well as their correct interaction with HYKE; please refer to the relevant individual instruction manuals.

5.1 - Testing

The sequence of steps to take to carry out testing refers to a typical system (fig. 3):

- 1 Ensure that everything stated in the "Installation warnings" chapter has been observed.
- 2 Release the gearmotors manually and check that when you operate the leaf, at the point designed especially for the manual manoeuvre, the leaves can either be opened or closed with a force of less than 390 N.
- 3 Secure the gearmotors (see chapter 3.6).
- 4 Using the control devices (transmitter, command button, key selector, etc.), perform some Gate Opening, Closing and Stop tests, making sure the movement of the leaves corresponds with each test. It is a good idea to carry out several tests in order to evaluate the movement of the leaves and pinpoint any assembly or adjustment defects as well as to check for any particular points of friction.
- 5 Check one by one that all the safety devices in the system work properly (photocells, sensitive edges, etc.). When a device is activated, the "BLUE-BUS" LED on the control unit emits two quicker flashes to confirm that recognition has taken place.
- 6 If the hazardous situations caused by the movement of the leaves have been safeguarded by limiting the force of impact, the force must be measured in accordance with the EN 12445 standard and, if necessary, if the control of the "gearmotor force" is used as an aid to the system to reduce the force of impact, try and then find the adjustment that achieves the best results.

5.2 - Commissioning

Commissioning can only take place once all the testing phases have been carried out successfully.

- 1 Put together the automation system's technical file, which should include the following documents: an overall diagram of the automation system, the diagram of the electrical connections made, the current risk analysis and the related solutions adopted, the manufacturer's declaration of conformity for all the devices used and the declaration of conformity filled in by the installer.
 - 2 Affix a data plate onto the gate which specifies the following information, at least: the type of automation system, the name and address of the manufacturer (responsible for the commissioning), the serial number, the year of manufacture and the EC mark.
 - 3 Fill in the declaration of conformity of the automation system and hand it over to its owner.
 - 4 Fill in and hand over to the owner of the automation system the "User's guide" of the automation system.
 - 5 Fill in and hand over to the owner of the automation system the "Maintenance schedule" which contains instructions on the maintenance of all the devices in the automation system.
 - 6 Before commissioning the automation system, inform the owner of all the hazards and residual risks entailed.
- For all the documentation mentioned, the Nice technical support service provides the following: instruction manuals, guides and precompiled forms. Also visit: www.nice-service.com

6 PROGRAMMING THE CONTROL UNIT

The control unit has 3 keys **OPEN** (◀), **STOP (SET)**, **CLOSE** (▶) that can be used both for controlling the unit during testing and for programming the available functions.

The programmable functions available are divided into 2 levels and their relative operating status is displayed by means of the 8 LEDs (**L1...L8**) on the control unit (LED lit = function active; LED off = function not active).

Use the programming keys:

OPEN (◀): – key for controlling gate opening; – selection key during programming.

STOP/SET: key for stopping a manoeuvre; if pressed for more than 5 seconds, it enables entry to programming mode.


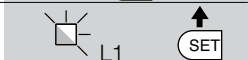
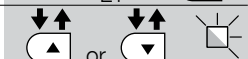

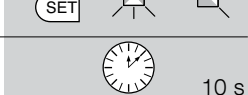
CLOSE (▶): – key for controlling gate closure; – selection key during programming.

6.1 - Level one programming (ON-OFF functions)

All level 1 functions are set by default to “OFF” and may be modified at any time. To check the functions see **Table 3**. For the programming procedure see **Table 4**.

IMPORTANT – In the programming procedure, the maximum time interval that can elapse between activation of one key and the next is 10 seconds. When this time elapses, the procedure terminates automatically, memorising the modifications made up until then.

LED	Function	Description
L1	Automatic closure	<u>Function ACTIVE</u> : after an opening movement, there is a pause (equal to the programmed time) after which the control unit automatic initiates a closure movement. The factory setting for the Pause time is 30 sec. <u>Function NOT ACTIVE</u> : function is “semiautomatic” type.
L2	Reclose after photo	<u>Function ACTIVE</u> : if the photocells are activated during the opening or closing manoeuvre, the pause time is reduced to 5 seconds regardless of the programmed pause time. With “automatic closure” disabled, if the photocells are activated during closure the “automatic closure” is activated with the programmed “pause time”.
L3	Always close	<u>Function ACTIVE</u> : in the event of a power failure, even of short duration, when power is restored the control unit detects gate open and automatically starts a closure manoeuvre, preceded by 5 seconds of pre-flashing. <u>Function NOT ACTIVE</u> : when power is restored the gate remains where it is.
L4	All standby	<u>Function ACTIVE</u> : after 1 minute from the end of the manoeuvre, the control unit turns off the “BlueBus” output (connected devices), Bus T4 (connected devices), the outputs flash, ELS and sca, some internal circuits and all leds with the exception of the BlueBus led, which flashes at a slower interval. When the control unit receives a command, it resumes normal operation (after a short delay). This function is used to reduce consumption, an important aspect in the case of battery powered devices or when using photovoltaic panels.
L5	Electric lock/Courtesy light	<u>Function ACTIVE</u> : the “electric lock” output switches its operation to “courtesy light”. <u>Function NOT ACTIVE</u> : the output operates as an electric lock.
L6	Pre-flash	<u>Function ACTIVE</u> : a 3 second pause can be added between the flashing light signal and the start of the manoeuvre to provide advance warning of a hazard situation. <u>Function NOT ACTIVE</u> : flashing light signal coincides with the start of the manoeuvre.
L7	“Close” becomes “Partial open 1”	<u>Function ACTIVE</u> : the “Close” input of the control unit switches operation mode to “Partial Open 1”.
L8	“Gate open light” or “Maintenance light”	<u>Function ACTIVE</u> : the “gate open light” output on the control unit switches to the “maintenance light” function. <u>Function NOT ACTIVE</u> : the output operates as “gate open light”.

01. Press and hold down the “Set” key for approx. 3 seconds;	
02. Release the key when LED “L1” starts flashing;	
03. Press the “◀” or “▶” key to move the flashing LED to the LED representing the function to be modified;	
04. Press “Set” to change the status of the function: (short flash = OFF; long flash = ON);	
05. Wait 10 seconds (maximum time) to exit the programming mode.	
Note – During this procedure, points 03 and 04 need to be repeated when programming other functions to “ON” or “OFF” during the phase itself.	

6.2 - Level two programming (adjustable parameters)

All level 2 functions are set by default as highlighted in grey in Table 5, and may be modified at any time as explained in Table 6.

The parameters can be set on a scale from 1 to 8. To check the value corre-

sponding to each LED see Table 8. **IMPORTANT** – In the programming procedure, the maximum time interval that can elapse between activation of one key and the next is 10 seconds. When this time elapses, the procedure terminates automatically, memorising the modifications made up until then.





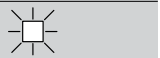


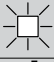





TABLE 5 - Second level functions

Input LED	Parameter	LED (level)	Value	Description
L1	Pause time	L1	5 seconds	Sets the pause time, namely the time which lapses before automatic closure. This will only take effect if closing is active.
		L2	15 seconds	
		L3	30 seconds	
		L4	45 seconds	
		L5	60 seconds	
		L6	80 seconds	
		L7	120 seconds	
		L8	180 seconds	
L2	Step by step function	L1	Open – stop – close – stop	Sets the sequence of commands associated with the “Step-by-Step”, “Open” or “Close” inputs or the radio control. Note – When setting L4, L5, L7 and L8, the behaviour of the “Open” and “Close” commands is also modified.
		L2	Open – stop – close – open	
		L3	Open – close – open – close	
		L4	Apartment block: <ul style="list-style-type: none"> In the opening manoeuvre the “Step by Step” and “Open” commands have no effect; the “Close” command causes the movement to be inverted, i.e. the closure of the leaf. In the closure manoeuvre the “Step by Step” and “Open” commands cause the movement to be inverted, i.e. the leaf to open; the “Close” command has no effect. 	
		L5	Apartment block 2: <ul style="list-style-type: none"> In the opening manoeuvre the “Step by Step” and “Open” commands have no effect; the “Close” command causes the movement to be inverted, i.e. the closure of the leaf. If the transmitted command persists for more than 2 seconds, a “Stop” is performed. In the closure manoeuvre the “Step by Step” and “Open” commands cause the movement to be inverted, i.e. the leaf to open; the “Close” command has no effect. If the transmitted command persists for more than 2 seconds, a “Stop” is performed. 	
		L6	Step-by-step 2 (less than 2 sec. generates partial opening).	
		L7	Hold-to-run: the manoeuvre is performed only if the transmitted command persists; if the command is interrupted the manoeuvre stops.	
		L8	Opening in semi-automatic mode, closing in hold-to-run mode.	
L3	Motor speed	L1	Very slow	Sets the motor speed during normal travel.
		L2	Slow	
		L3	Medium	
		L4	Fast	
		L5	Very fast	
		L6	Extremely fast	
		L7	Fast opening, Slow Closing	
		L8	Extremely fast Opening, Medium Closing	
L4	Motor discharge after closing	L1	No discharge	Sets duration of “short inversion” of both motors after performing a Closing manoeuvre with the aim of reducing the final residual thrust, guaranteeing adequate closure and facilitating manual release of the gearmotor.
		L2	Level 1 - Minimum discharge (about 100 ms)	
		L3	Level 2 - ...	
		L4	Level 3 - ...	
		L5	Level 4 - ...	
		L6	Level 5 - ...	
		L7	Level 6 - ...	
		L8	Level 7 - Maximum discharge (about 800 ms)	
L5	Motor force	L1	Level 1 - Minimum Force	Adjusts the force of both motors
		L2	Level 2 - ...	
		L3	Level 3 - ...	
		L4	Level 4 - ...	
		L5	Level 5 - ...	
		L6	Level 6 - ...	
		L7	Level 7 - ...	
		L8	Level 8 - Maximum Force	
L6	Pedestrian or partial opening	L1	Pedestrian 1 (opening of leaf M2 to 1/4 of total opening)	Sets type of opening associated with “Partial open 1” command. In levels L5, L6, L7, L8; “minimum” opening means the smaller opening out of M1 and M2; for example, if M1 opens to 90° and M2 opens to 110°, the minimum opening is 90°
		L2	Pedestrian 1 (opening of leaf M2 to 1/2 of total opening)	
		L3	Pedestrian 3 (opening of leaf M2 to 3/4 of total opening)	
		L4	Pedestrian 4 (Complete opening of leaf 2)	
		L5	Partial 1 (opening of two leaves to 1/4 of “minimum” opening)	
		L6	Partial 2 (opening of two leaves to 1/2 of “minimum” opening)	
		L7	Partial 3 (opening of two leaves to 3/4 of “minimum” opening)	
		L8	Partial 4 (opening of two leaves to “minimum” opening)	

L7	Maintenance warning	L1	500	Controls the number of manoeuvres: when this number is exceeded, the control unit signals an automation maintenance request; see paragraph 6.3.2. – Maintenance warning.
		L2	1000	
		L3	1500	
		L4	2500	
		L5	5000	
		L6	10000	
		L7	15000	
		L8	20000	
L8	List of faults	L1	Manoeuvre 1 result (most recent)	The type of fault that has occurred in the last 8 manoeuvres can be established See TABLE 10 – Fault log.
		L2	Manoeuvre 2 result	
		L3	Manoeuvre 3 result	
		L4	Manoeuvre 4 result	
		L5	Manoeuvre 5 result	
		L6	Manoeuvre 6 result	
		L7	Manoeuvre 7 result	
		L8	Manoeuvre 8 result	

Note – The factory settings are highlighted in grey.

TABLE 6 - Programming procedure (second level functions)

01. Press and hold down the “Set” key for approx. 3 seconds.;	 3 s
02. Release the key when LED “L1” starts flashing;	 L1 
03. Press the “◀” or “▶” key to move the flashing LED to the LED representing the “input LED” of the parameter to be modified;	 or  
04. Press and hold the “Set” key through to completion of point 06;	
05. Wait approx. 3 seconds, until the LED representing the current level of the parameter to be modified illuminates;	
06. Press keys “◀” or “▶” to move the LED representing the value of the parameter;	 or  
07. Release the “Set” key;	
08. Wait 10 seconds (maximum time) to exit the programming mode.	 10 s

Note – During this procedure, points 03 to 07 need to be repeated when programming other parameters during the phase itself.

6.3 - Special functions

6.3.1 - Function: “Move anyway”

This function allows the automation to be operated even when any of the safety devices does not work correctly or is out of use. The automation can be controlled in the “hold-to-run” mode. Proceed as follows:

- Send a command to operate the gate using a transmitter or a key selector, etc. If everything operates correctly, the gate will move normally, otherwise proceed as follows;
- within 3 seconds, activate the control again and keep it activated;
- after approximately 2 seconds, the gate will perform the required movement in “hold-to-run” mode; i.e. the gate will continue to move only as long as the control is activated.

If the safety devices do not operate, the flashing light flashes a few times to indicate the kind of problem (see chapter 6 - Table 8).

6.3.2 - Function: “Maintenance warning”

This function serves to indicate when the automation requires maintenance. The maintenance warning signal is given by way of a lamp connected to the S.C.A. (open gate light) output when this output is programmed as “Maintenance light”. The various warning lamp signals are shown in Table 7.

To program the limit value of the maintenance operations, see Table 5.

Table 7 - “Maintenance light”

Number of manoeuvres	Signal
Below 80% of the limit	Light on for 2 seconds at the start of the opening manoeuvre.
Between 81% and 100% of the limit	Light flashing for the entire duration of the manoeuvre.
Beyond 100% of the limit	Light flashing continuously.

6.4 - Deleting the memory

To delete the control unit memory and restore all factory settings, proceed as follows:

press and hold keys “◀” and “▶” until leds L1 and L2 start flashing.

7 WHAT TO DO IF... (troubleshooting guide)

Some devices are able to emit signals that serve to recognise their state of operation or possible faults.

If a flashing light is connected to the FLASH output on the control unit, it will flash at intervals of 1 second during a manoeuvre. If faults occur, the flashing light will emit a sequence of two shorter flashes separated by a 1 second pause. Table 8 shows the cause and solution for each type of signal.

The LEDs on the control unit also emit signals.

Table 9 shows the cause and solution for each type of signal.

It is possible to verify faults that have occurred during the last 8 manoeuvres. See Table 10.


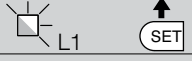

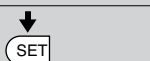
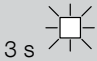


TABLE 8 - Flashing light signals (FLASH)

Flashes	Problem	Solution
1 short flash 1 second pause 1 short flash	Bluebus system error	At the start of the manoeuvre, the devices connected to Bluebus do not correspond to those recognized during the self-learning phase. One or more devices may be disconnected or faulty; check and, if necessary, replace them. In case of modifications repeat the device self-learning process (see paragraph 4.6).
2 short flashes 1 second pause 2 short flashes	Photocell activated	One or more photocells do not enable movement or have caused a movement inversion during travel; check to see if there are any obstructions.
3 short flashes 1 second pause 3 short flashes	Function activation "Obstacle detection" by force limiter	During the movement, the motors encountered excessive resistance; identify the cause and if necessary increase the level of force of the motors.
4 short flashes 1 second pause 4 short flashes	STOP input activation	At the start of the manoeuvre or during the movement, the STOP input was activated; identify the cause.
5 short flashes 1 second pause 5 short flashes	Error on internal parameters in control unit	Wait at least 30 seconds, then try giving a command and if necessary turn off the power supply. If the condition persists, there may be a malfunction and the electronic board must be replaced.
6 short flashes 1 second pause 6 short flashes	Maximum limit of consecutive manoeuvres or manoeuvres per hour exceeded.	Wait a few minutes until the manoeuvre limiting device falls to below the maximum limit.
7 short flashes 1 second pause 7 short flashes	Electric circuits fault	Wait at least 30 seconds, then try sending a command and if necessary turn off the power supply. If the condition persists, there may be a malfunction and the electronic board must be replaced.
8 short flashes 1 second pause 8 short flashes	A command is already present that disables execution of other commands	Check the type of command that is always present; for example, it could be a command from a timer on the "open" input.
9 short flashes 1 second pause 9 short flashes	The automation has been blocked by a "Block automation" command	Release the automation by giving the "Automation release" command.
10 short flashes 1 second pause 10 short flashes	"Obstacle detection" by encoder function activated	During the movement, the motors have been blocked by higher friction; identify the cause.

TABLE 9 - Signals given by LEDs on control unit (fig. 16)

LED	Problem	Solution
BLUEBUS		
Always off	Fault	Check that the control unit is powered. Check that the fuses have not blown: if they have, check the cause of the fault and replace with others with the same value
Always on	Serious fault	A serious fault has occurred; try disconnecting electrical power from the control unit. If the problem persists it will be necessary to replace the electronic board
1 flash per second	Everything normal	Control unit works correctly
2 quick flashes	Input status variation	Normal if one of the inputs (PP, STOP, OPEN, CLOSE) changes: photocells activated or a command given via a transmitter
Series of flashes separated by one second pause	Various	Refer to Table 8
STOP		
Always off	Activation of the devices connected to the STOP input	Check the devices connected to the STOP input
Always on	Everything normal	STOP input active
S.S.		
Always off	Everything normal	S:S input not active
Always on	S.S. input activation	Normal if the device connected to the S.S. input is active
OPEN		
Always off	Everything normal	OPEN input not active
Always on	OPEN input activation	Normal if the device connected to the OPEN input is active
CLOSE		
Always off	Everything normal	CLOSE input not active
Always on	CLOSE input activation	Normal if the device connected to the CLOSE input is active
L1 - L2 Slow flashing	Change in number of devices connected to Bluebus or device self-learning not performed	The device self-learning process must be performed (see paragraph 4.6)
L3 - L4 Slow flashing	Change in self-learning of the motor types or the positions of the mechanical stops	Self-learning of the mechanical stop positions has not been performed (see paragraph 4.7)

TABLE 10 - Fault log

01. Press and hold down the "Set" key for approx. 3 seconds;	
02. Release the key when LED "L1" starts flashing;	
03. Press keys "◀" or "▶" to move from the flashing LED to L8 LED ("input LED") for the "Fault log" parameter;	
04. Press and hold the "Set" key through to completion of point 06;	
05. Wait approx. 3 seconds until the LEDs representing the levels corresponding to the manoeuvres with faults illuminate. The LED L1 indicates the result of the most recent manoeuvre while L8 indicates the eighth-to-last manoeuvre. If the LED is on this means that a fault has occurred; if the LED is off, everything is normal;	
06. Press keys "◀" and "▶" to select the required manoeuvre: the corresponding LED performs a number of flashes equal to those normally performed by the flashing light;	
07. Release the "Set" key.	

8 FURTHER DETAILS

The following accessories are envisaged for HYKE (optional): receivers in the family SMXI, OXI, the programmer Oview, the solar power panel Solemyo and buffer battery mod. PS124.

8.1 - Connecting a radio receiver

The control unit has a connector for connecting radio receivers (optional accessories) belonging to the SMXI and OXI families. To connect a receiver, disconnect power from the control unit and proceed as shown in **fig. fig. 17**. **Table 11** and **Table 12** show the commands corresponding to the outputs on the control unit.

Output no. 1	"S.S." (Step by Step) command
Output no. 2	"Partial opening 1" command
Output no. 3	"Open" command
Output no. 4	"Close" command

No.	Command	Description
1	Step by step	"S.S." (Step by Step) command
2	Partial opening 1	"Partial opening 1" command
3	Open	"Open" command
4	Close	"Close" command
5	Stop	Stops manoeuvre
6	Apartment block Step by Step	Apartment block control
7	Step by Step high priority	Gives command even when automation is blocked or commands are in progress
8	Partial open 2	Partial open (Opening of leaf M2 to 1/2 of normal opening)
9	Partial open 3	Partial open (Opening of two leaves to 1/2 of normal opening)
10	Open and block automation	It causes an opening manoeuvre, after which the automation is blocked; the control unit accepts no further commands with the exception of "Step by step high priority", "Release" automation and (from Oview only) the commands "Release and close" and "Release and open"
11	Close and block automation	It causes a closure manoeuvre, after which the automation is blocked; the control unit accepts no further commands with the exception of "Step by step high priority", "Release" automation and (from Oview only) the commands "Release and close" and "Release and open"
12	Block automation	It causes the manoeuvre to stop and the automation to block; the control unit accepts no further commands with the exception of "Step by step high priority", "Release" automation and (from Oview only) the commands "Release and close" and "Release and open".

13	Release automation	It causes the automation to be released and normal operation to resume
14	Courtesy light timer on	The Courtesy light comes on with timed turning off
15	Courtesy light on-off	The Courtesy light turns on and off in step-by-step mode

8.2 - Connection and installation of the back-up battery mod. PS124

IMPORTANT! - The battery must only be connected to the control unit after all the phases of installation and programming have been completed, as the battery constitutes a source of emergency power.

To arrange connection to the Solemyo system, follow the stages of assembly **fig. 18**.

8.3 - Connection of the Oview programmer

The control unit has a BusT4 connector to which the Oview programming unit can be connect, and which allows the complete rapid management of the installation and maintenance phase as well as the diagnosis of the entire automation system. To access this connector, proceed as shown in **fig. 19** and connect the connector to the dedicated seat. The Oview can be connected to several Control units simultaneously (up to 5 without any particular precautions, and up to 60 observing the dedicated warnings) and can stay connected to the control unit even during the normal operation of the automation system. In this case, it can be used to send the commands directly to the control unit using the specific "user" menu. The Firmware upgrade can also be carried out. If there is a radio receiver from the OXI family in the control unit, Oview can be used to gain access to the parameters of the transmitters stored in the receiver itself.

For further information, please consult the relevant instruction manual and the manual for the "Opera system book" system.

8.4 - Connecting the solar power system Solemyo

CAUTION! - When the automation is powered by the "Solemyo" system, IT MUST NEVER BE POWERED simultaneously by the electrical mains.

For more information on the Solemyo system, refer to the relative instruction manual.

To connect the Solemyo system, proceed as shown in **fig. 20**

8.5 - Connecting the external release system Kio

CAUTION! - Kio must be connected to the gearmotor controlling the leaf that moves first (starting from the gate closed position).

01. Open the cover of the gearmotor (**fig. 21-1**).
02. Remove the plastic guard of the gearmotor as shown in **fig. 21-2**;
03. Insert the screw with nut in the hole as shown in **fig. 21-3**;
04. Attach the two ends of the spring as shown in **fig. 22-4**;
05. Insert the steel cable before the screw and then in the hole of the pin as shown in **fig. 21-5**;
06. Secure the cable by tightening the relative screw (**fig. 21-5**);
07. Route the other end of the cable through one of the holes on the lower section of the gearmotor as shown in **fig. 21-6**;
08. Refit the plastic guard and then the cover of the gearmotor (**fig. 21-7**);
09. At this point, connect the cable to Kio, with reference to the relative instruction manual.

In order to keep the safety level constant and to guarantee the maximum life span of the entire automation system, regular maintenance is vital.

All maintenance work must be carried out in compliance with the safety provisions of this manual and in accordance with existing laws and regulations.

The product requires frequent inspection to check for imbalances of the doors or signs of wear or damage to the cables. Do not use the product if adjustments or repairs are required.

Important – During the product maintenance or cleaning operations, cut off the electricity supply to the control unit and any batteries envisaged.

For the other devices in the system, follow the instructions provided in their respective maintenance schedules.

For gearmotors HK7024, HK7224, HK7024HS, HK7224HS scheduled maintenance is required at the latest 6 months or 20,000 manoeuvres after the previous maintenance work.

Maintenance can be performed as follows:

01. Cut off any electrical power source, including any back-up batteries;
02. Check the condition and wear of brackets and fixing plugs, paying special attention to erosion or rusting; replace all parts which do not provide sufficient guarantees;
03. Perform a trial release to ensure it is working properly – see paragraph 3.6.
04. Reconnect the electrical power sources and perform all the checks envisaged in chapter 5 - Testing.

DISPOSING OF THE PRODUCT

This product is an integral part of the automation system, and should therefore be disposed of together with it.

As for the installation operations, even at the end of this product's life span, the dismantling operations must be carried out by qualified experts.

This product is made up of various types of materials: some can be recycled while others need to be disposed of. Find out about the recycling or disposal systems envisaged by your local regulations for this product category.

Important! – Parts of the product could contain pollutants or hazardous substances which, if released into the environment, could cause harmful effects to the environment itself as well as to human health.

As indicated by the symbol opposite, throwing away this product as domestic waste is strictly forbidden. So dispose of it as differentiated waste, in accordance with your local regulations, or return the product to the retailer when you purchase a new equivalent product.



Important! – the local applicable regulations may envisage heavy sanctions in the event of illegal disposal of this product.

Disposal of the back-up battery (where present)

Important! – The flat battery contains pollutants and should therefore not be thrown away as common waste.

It should be disposed of as differentiated waste, as envisaged by your local applicable regulations.

Product lifetime

The lifetime is the average economic duration of the product. The value of lifetime is strongly influenced by the intensity of the manoeuvres performed by the automation. i.e. the sum of all factors that contribute to product wear (see Table 13).

To establish the probable lifetime of your automation, proceed as follows:

01. Calculate the severity index by adding all percentages of the items specified in **Table 13**;
02. In **Graph 3** from the value obtained above, trace vertical line until it intersects the curve; from this point trace a horizontal line until it intersects the line of the "manoeuvre cycles". The value obtained is the estimated lifetime of your product.

The estimation of lifetime is made on the basis of design calculations and the results of tests performed on prototypes. As it is only an estimation, it does not represent any form of guarantee on the effective lifetime of the product.

Example of calculating the lifetime of a HYKE gearmotor with LONG length arm (refer to Table 13 and Graph 3):

- leaf length = 2,8 m (severity index: 20%); - leaf weight: 230 Kg m (severity index: 20%);
- solid leaf (severity index: 15%); Total severity index = 55%; Estimated lifetime = 220.000 manoeuvre cycles

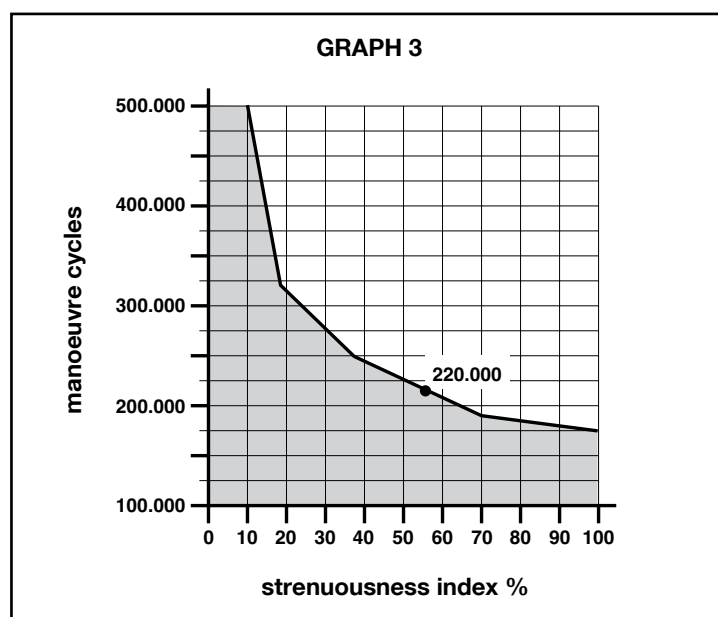


TABLE 13

		Severity index	
		LONG length arm	SHORT length arm
Leaf length	< 1,8	0%	15%
	1,8 - 2,5 m	15%	20%
	2,5 - 3 m	20%	30%
	3 - 3,5 m	30%	-
Leaf weight	< 200 kg	0%	30%
	200 + 250 kg	20%	40%
	> 250 kg	30%	-
Ambient temperature above 40°C or below 0°C or humidity over 80%		20%	20%
Solid leaf		15%	20%
Installation in windy zone		15%	20%

Note – The data refer to a balanced sectional door in perfect maintenance conditions

TECHNICAL SPECIFICATIONS OF PRODUCT

WARNINGS: • All technical specifications stated in this section refer to an ambient temperature of 20°C (± 5°C). • Nice S.p.a. reserves the right to apply modifications to products at any time when deemed necessary, maintaining the same intended use and functionality.

	HK7024K	HK7024KHS	HK7224K	HK7224KHS
Type	Electromechanical gearmotor for automations of gates and automatic doors with DC motor, epicyclical gear reducer and mechanical release. Built-in control unit and OXI radio receiver.		Electromechanical gearmotor for automations of gates and automatic doors with DC motor, epicyclical gear reducer and mechanical release.	
Maximum torque	500 Nm			
Nominal torque	120 Nm			
Speed under no load	1.5 RPM	2 RPM	1.5 RPM	2 RPM
Maximum cycle frequency	40 cycles/hour			
Maximum continuous cycle time	approx. 7 minutes			
Application limits	the product can be used on gates with leaf weights up to 330 kg or with lengths up to 3.5 m	the product can be used on gates with leaf weights up to 270 kg or with lengths up to 3 m	the product can be used on gates with leaf weights up to 330 kg or with lengths up to 3.5 m	the product can be used on gates with leaf weights up to 270 kg or with lengths up to 3 m
Lifetime	estimated between 150,000 cycles and 500,000 cycles, according to the conditions stated in table 13 and graph 3			
Power supply	230 Vac ±10%; 50/60 Hz		24 Vdc (±10%)	
Backup power supply	provision for buffer battery PS124			
Solar power	provision for SYKCE kit			
Maximum absorbed power	300 W		140 W	
Maximum absorbed current	1,5 A (3 A for version HK7024K/V1)		6 A for a maximum interval of 2 s	
Absorbed power with "All – Standby" function when powered by PS124 or SYKCE kit (including OXI receiver)	less than 100 mW			
Flashing light output [*]	one LUCYB flashing light (12 V, 21 W bulb)			
Electric lock output [*]	one 12 Vac electric lock (max 15 VA)			
Gate open indicator output [*]	one 24 V lamp (max. 4 W) (the output voltage may vary between -30 and +50%, the output can also control small relays)			
BLUEBUS output	one output with load of maximum 15 Bluebus units (max. 6 pairs of MOFB or MOFOB photocells plus 2 pairs of MOFB or MOFOB photocells routed as opening devices plus max. 4 MOMB or MOTB control devices)			
STOP input	for normally closed contacts, normally open contacts or contacts with constant 8,2 kΩ resistance; selection of the type of contact is in self-learning mode and a modification with respect to the memorised status will generate a "STOP"			
SS input	for normally open contacts (closure of the contact generates a Step Step command)			
Radio engage	SM connector for receivers in the families SMXI, OXI and OXIFM			
Radio AERIAL input	50 Ω for cable type RG58 or similar			
Programmable functions	8 ON-OFF type functions (Table 3) and 8 settable functions (Table 5)			
Functions in self-learning	<ul style="list-style-type: none"> • Self-learning of devices connected to the BlueBus output. • Self-learning of the type of device connected to the "STOP" terminal (NO, NC contact or 8,2 kΩ resistance). • Self-learning of the gate leaf travel and automatic calculation of deceleration points and partial opening. • Self-learning of operation with one or two motors 			
Assembly	Vertical, with dedicated fixing plate			
Operating temperature	from -20°C to +50°C (at low temperatures, gearmotor efficiency is reduced)			
Se in acid, saline or potentially explosive atmospheres	NO			
Protection rating	IP 54 (with container intact)			
Dimensions (mm)	210 x 290 x 320 h			
Weight (kg)	10.5		9.5	
[*]	- The outputs Flashing Light, Electric lock and Gate Open Indicator can be programmed with other functions (see "TABLE 3 – Level 1 functions"; or via the Oview programmer; see chapter 8.3). The electrical specifications of the output are adapted to the type of selected function: • flashing light function: lamp 12 Vdc, max. 21 W; • electric lock function: 12 Vac max. 15 VA; • other outputs (all types): 1 lamp or relay 24Vdc (-30 to +50%), max. 4 W.			

CE DECLARATION OF CONFORMITY and declaration of incorporation of “quasi machine”

Declaration in accordance with the Directives: 2006/95/EC (LVD); 2004/108/CE (EMC); 2006/42/EC (MD) appendix II, part B

Note - The contents of this declaration correspond to declarations in the official document deposited at the registered offices of Nice S.p.a. and in particular to the last revision available before printing this manual. The text herein has been re-edited for editorial purposes. A copy of the original declaration can be requested from Nice S.p.a. (TV) I.

Declaration number: 334/HYKE

Revision: 4

Language: EN

Manufacturer's Name: NICE s.p.a.
Address: Via Pezza Alta 13, Z.I. Rustignè, 31046 Oderzo (TV) Italy
Person authorised to draw up technical documentation: NICE s.p.a.
Type of product: "HYKE" electromechanical gearmotor with built-in control unit
Model / Type: HK7024, HK7224, HK7024HS, HK7224HS
Accessories: SMXI, OXI, PS124, Oview

The undersigned, Mauro Sordini, in the role of Chief Executive Officer declares under his sole responsibility, that the product specified above conforms to the provisions of the following directives:

- DIRECTIVE 2004/108/EC OF THE EUROPEAN PARLIAMENT AND COUNCIL of 15 December 2004 regarding the approximation of member state legislation related to electromagnetic compatibility, repealing directive 89/336/EEC, according to the following standards:
EN 61000-6-2:2005, EN 61000-6-3:2007+A1:2011

The product also complies with the following directives according to the requirements envisaged for “quasi machinery”:

- Directive 2006/42/EC OF THE EUROPEAN PARLIAMENT AND COUNCIL of 17 May 2006 related to machinery, and which amends the directive 95/16/EC (recast).
 - It is hereby declared that the pertinent technical documentation has been compiled in compliance with appendix VII B of directive 2006/42/EC and that the following essential requirements have been observed: 1.1- 1.1.2- 1.1.3- 1.2.1-1.2.6- 1.5.1-1.5.2- 1.5.5- 1.5.6- 1.5.7- 1.5.8- 1.5.10- 1.5.11
 - The manufacturer undertakes to transmit to the national authorities, in response to a motivated request, all information regarding the “quasi-machine”, while maintaining full rights to the related intellectual property.
 - Should the “quasi machine” be put into service in a European country with an official language other than that used in this declaration, the importer is obliged to arrange for the relative translation to accompany this declaration.
 - The “quasi-machine” must not be used until the final machine in which it is incorporated is in turn declared as compliant, if applicable, with the provisions of directive 2006/42/EC.

The product also complies with the following standards:

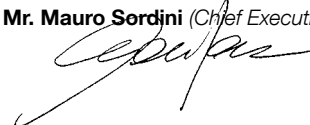
EN 60335-1:2002 + A1:2004 + A11:2004 + A12:2006 + A2:2006 + A13:2008 + A14:2010 + A15:2011
 EN 60335-2-103:2003+A11:2009

The parts of the product which are subject to the following standards comply with them:

EN 13241-1:2003+A1:2011, EN 12445:2002, EN 12453:2002, EN 12978:2003+A1:2009

Oderzo, 5 November 2014

Mr. Mauro Sordini (Chief Executive Officer)



Sommario

Immagini

1 - AVVERTENZE E PRECAUZIONI GENERALI	1
1.1 - Avvertenze per la sicurezza	1
1.2 - Avvertenze per l'installazione	1
1.3 - Avvertenze per l'uso	1
2 - DESCRIZIONE DEL PRODOTTO E DESTINAZIONE D'USO	1
3 - INSTALLAZIONE	2
3.1 - Verifiche preliminari all'installazione	2
3.2 - Limiti d'impiego	2
3.3 - Lavori di predisposizione all'installazione	2
3.4 - Installazione del motoriduttore mod. HK7024 - HK7224 - HK7024HS - HK7224HS	2
3.5 - Regolazione dei finecorsa meccanici	3
3.6 - Sbloccare e bloccare manualmente il motoriduttore	4
4 - COLLEGAMENTI ELETTRICI	4
4.1 - Collegamenti elettrici del motoriduttore con centrale mod. HK7024 - HK7024HS	4
4.2 - Collegamento del motoriduttore senza centrale mod. HK7224 - HK7224HS	4
4.3 - Collegamento di altri dispositivi	5
4.4 - Indirizzamento dei dispositivi collegati	5
4.5 - Prima accensione e verifica dei collegamenti	5
4.6 - Apprendimento dei dispositivi collegati	5
4.7 - Apprendimento delle posizioni dei finecorsa meccanici	5
4.8 - Verifica del movimento delle ante al cancello	6
5 - COLLAUDO E MESSA IN SERVIZIO	6
5.1 - Collaudo	6
5.2 - Messa in servizio	7
6 - PROGRAMMAZIONE DELLA CENTRALE DI COMANDO	7
6.1 - Programmazione primo livello (ON-OFF)	7
6.2 - Programmazione secondo livello (parametri regolabili)	8
6.3 - Funzioni speciali	9
6.4 - Cancellazione della memoria	9
7 - COSA FARE SE... (guida alla risoluzione dei problemi)	9
8 - APPROFONDIMENTI	11
8.1 - Collegamento di un ricevitore radio	11
8.2 - Collegamento e installazione della batteria tampone mod. PS124	11
8.3 - Collegamento del programmatore Oview	11
8.4 - Collegamento del sistema ad energia solare Solemyo	11
8.5 - Collegamento del sistema di sblocco esterno Kio	11
9 - MANUTENZIONE DEL PRODOTTO	12
SMALTIMENTO DEL PRODOTTO	12
Durabilità del prodotto	12
CARATTERISTICHE TECNICHE DEL PRODOTTO	13
DICHIARAZIONE CE DI CONFORMITÀ	14
APPENDICE	1
Istruzioni ed avvertenze destinate all'utilizzatore	III

1 AVVERTENZE E PRECAUZIONI GENERALI

1.1 - Avvertenze per la sicurezza

- **ATTENZIONE!** – Il presente manuale contiene importanti istruzioni e avvertenze per la sicurezza. Un'installazione errata può causare gravi ferite. Prima di iniziare il lavoro è necessario leggere attentamente tutte le parti del manuale. In caso di dubbi, sospendere l'installazione e richiedere chiarimenti al Servizio Assistenza Nice.
- **ATTENZIONE!** – Istruzioni importanti: conservare questo manuale per eventuali interventi di manutenzione e di smaltimento del prodotto.
- **ATTENZIONE!** – Secondo la più recente legislazione europea, la realizzazione di una porta o di un cancello automatico deve rispettare le norme previste dalla Direttiva 2006/42/CE (ex 98/37/CE) (Direttiva Macchine) e in particolare, le norme EN 12445; EN 12453; EN 12635 e EN 13241-1, che consentono di dichiarare la conformità dell'automazione. In considerazione di ciò, tutte le operazioni di installazione, di collegamento, di collaudo e di manutenzione del prodotto devono essere effettuate esclusivamente da un tecnico qualificato e competente!

1.2 - Avvertenze per l'installazione

- Prima di iniziare l'installazione verificare se il presente prodotto è adatto al tipo di utilizzo desiderato (vedere i "Limiti d'impiego" paragrafo 3.2 e le "Caratteristiche tecniche del prodotto"). Se non è adatto, NON procedere all'installazione.
- Il contenuto del presente manuale è riferito ad un impianto tipico come quello descritto in fig. 3.
- **Tutte le operazioni di installazione e di manutenzione devono avvenire con l'automazione scollegata dall'alimentazione elettrica.** Se il dispositivo di sconnessione dell'alimentazione non è visibile dal luogo dove è posizionato l'automatismo, prima di iniziare il lavoro è necessario attaccare sul dispositivo di sconnessione un cartello con la scritta "ATTENZIONE! MANUTENZIONE IN CORSO".
- La centrale deve essere collegata ad una linea di alimentazione elettrica dotata di messa a terra di sicurezza.
- Durante l'installazione maneggiare con cura il prodotto evitando schiacciamenti, urti, cadute o contatto con liquidi di qualsiasi natura. Non mettere il prodotto vicino a fonti di calore, né esporlo a fiamme libere. Tutte queste azioni possono danneggiarlo ed essere causa di malfunzionamenti o situazioni di pericolo. Se questo accade, sospendere immediatamente l'installazione e rivolgersi al Servizio Assistenza Nice.
- Non eseguire modifiche su nessuna parte del prodotto. Operazioni non permesse possono causare solo malfunzionamenti. Il costruttore declina ogni responsabilità per danni derivanti da modifiche arbitrarie al prodotto.
- Se il cancello o il portone da automatizzare è dotato di una porta pedonale occorre predisporre l'impianto con un sistema di controllo che inibisca il funzionamento del motore quando la porta pedonale è aperta.
- Il materiale dell'imballo del prodotto deve essere smaltito nel pieno rispetto della normativa locale.

1.3 - Avvertenze per l'uso

- Il prodotto non è destinato ad essere usato da persone (bambini compresi) le cui capacità fisiche, sensoriali o mentali siano ridotte, oppure con mancanza di esperienza o di conoscenza, a meno che esse abbiano potuto beneficiare, attraverso l'intermediazione di una persona responsabile della loro sicurezza, di una sorveglianza o di istruzioni riguardanti l'uso del prodotto.
- I bambini che si trovano in prossimità dell'automazione, devono essere sorvegliati; verificare che non giochino con quest'ultima.
- Non permettere ai bambini di giocare con i dispositivi di comando fissi. Tenere i dispositivi di comando portatili (remoti) fuori dalla portata dei bambini.

2 DESCRIZIONE DEL PRODOTTO E DESTINAZIONE D'USO

I dispositivi che compongono il presente prodotto, sono destinati ad essere utilizzati per automatizzare cancelli o portoni ad ante battenti per uso residenziale ed industriale. **ATTENZIONE!** – Qualsiasi altro uso diverso da quello descritto e in condizioni ambientali diverse da quelle riportate in questo manuale è da considerarsi improprio e vietato!

La parte principale dell'automazione è formata da uno o due motoriduttori elettromeccanici (in base al numero di ante da automatizzare), provvisti ognuno di un motore in corrente continua e di un riduttore con ingranaggi a denti dritti. Uno dei motoriduttori (mod. HK7024 - HK7024HS) è dotato di una centrale di comando che ne gestisce il funzionamento. La centrale è formata da una scheda con un ricevitore radio, per la ricezione dei comandi inviati dal trasmettitore. È predisposta per essere collegata a vari dispositivi appartenenti al Sistema Opera, al sistema Bluebus e al sistema di alimentazione ad energia solare Solemyo, vedere capitolo 8 - Approfondimenti.

Se alimentata da rete, può ospitare una batteria tampone (mod. PS124, accessorio opzionale) che nel caso di mancanza dell'energia elettrica (black-out elettrico) garantisce all'automatismo di eseguire, nelle ore successive, alcune manovre. In caso d'interruzione dell'energia elettrica, è possibile muovere le ante del cancello sbloccando il motoriduttore con l'apposita chiave, vedere capitolo 3.6.

Altri accessori disponibili sono i ricevitori predisposti con innesto "SM" (SMXI, OXI, ecc.), vedere capitolo 8 - Approfondimenti.

3 INSTALLAZIONE

3.1 - Verifiche preliminari all'installazione

Prima di procedere all'installazione, è necessario verificare l'integrità dei componenti del prodotto, l'adeguatezza del modello scelto e l'idoneità dell'ambiente destinato all'installazione:

- Verificare che tutto il materiale da utilizzare sia in ottimo stato e adatto all'uso previsto.
- Verificare che la struttura meccanica del cancello sia adatta ad essere automatizzata e conforme alle norme vigenti sul territorio (eventualmente fare riferimento ai dati riportati sull'etichetta del cancello). Il presente prodotto non può automatizzare un cancello che non sia già efficiente e sicuro; inoltre, non può risolvere difetti causati da un'installazione errata del cancello o da una sua cattiva manutenzione.
- Verificare che le condizioni di funzionamento dei dispositivi siano compatibili con i limiti d'impiego dichiarati (vedere paragrafo 3.2).
- Muovere manualmente le ante del cancello nelle due direzioni e accertarsi che il movimento avvenga con un attrito costante in ogni punto della corsa (non devono esserci punti che richiedono uno sforzo maggiore o minore).
- Portare manualmente le ante del cancello in una posizione qualsiasi; quindi lasciarle ferme e accertarsi che non si muovano.
- Verificare che la zona di fissaggio del motoriduttore sia compatibile con l'ingombro di quest'ultimo (fig. 1).
- Nell'ambiente in cui deve essere installato il motoriduttore, accertarsi che ci sia lo spazio sufficiente per la rotazione completa del suo braccio.
- Nelle vicinanze del motoriduttore, accertarsi che ci sia spazio sufficiente per effettuare la manovra manuale di sblocco del motoriduttore.
- Accertarsi che le superfici scelte per installare i vari dispositivi, siano solide e possano garantire un fissaggio stabile.
- Accertarsi che ciascun dispositivo da installare sia collocato in una posizione protetta e al riparo da urti accidentali.
- Verificare che tutti i cavi elettrici da utilizzare siano del tipo elencato nella **Tabella 1**.

3.2 - Limiti d'impiego

Prima di eseguire l'installazione del motoriduttore, verificare che i suoi dati rientrino nei limiti d'impiego riportati di seguito e nei limiti dei valori riportati nel capitolo "Caratteristiche tecniche del prodotto":

Con il braccio del motore di lunghezza **INTERA**:

- **larghezza massima dell'anta:** 3,50 m (= **peso massimo dell'anta:** 200 kg)

Con il braccio del motore di lunghezza **RIDOTTA**:

- **larghezza massima dell'anta:** 3,00 m (= **peso massimo dell'anta:** 180 kg)

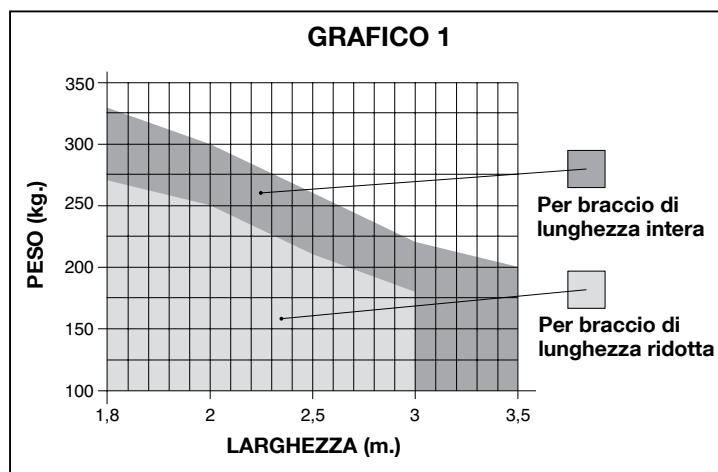
VERSIONE HS:

Con il braccio del motore di lunghezza **INTERA** e **RIDOTTA**:

- **larghezza massima dell'anta:** 3,00 m (= **peso massimo dell'anta:** 180 kg)

- Verifica da eseguire: riportare sul **Grafico 1** a lato, il peso e la larghezza dell'anta; tracciare da questi punti due linee e accertarsi che queste vadano ad incrociarsi in una delle due aree grigie del grafico. **Attenzione!** - Se le linee si incrociano nell'area bianca, non è possibile utilizzare questo prodotto per automatizzare il cancello.
- Per consentire l'installazione del motoriduttore, la larghezza minima del pilastro deve essere di 210 mm.
- La staffa di fissaggio del braccio deve risultare in una zona robusta dell'anta (ad esempio, il telaio), per garantire un fissaggio solido e sicuro;
- Verificare la **quota "E"** (fig. 2):
 - Se la **quota "E"** è un valore compreso tra 300 mm (minimo) e 650 mm (massimo), occorre regolare il braccio del motoriduttore con lunghezza **RIDOTTA**. In queste condizioni, la quota dell'apertura massima dell'anta può arrivare fino a 90°.

- Se la **quota "E"** è un valore uguale o superiore a 650 mm, occorre regolare il braccio del motoriduttore con lunghezza **INTERA**. In queste condizioni, la quota dell'apertura massima dell'anta può arrivare fino a 110°.



3.3 - Lavori di predisposizione all'installazione

La **fig. 3** mostra un esempio di impianto di automatizzazione, realizzato con componenti **Nice** (alcuni componenti possono non essere presenti nel kit):

- a** - Motoriduttore con centrale mod. HK7024 - HK7024HS
- b** - Motoriduttore senza centrale mod. HK7224 - HK7224HS
- c** - Segnalatore lampeggiante
- d** - Coppia di fotocellule mod. MOFB
- e** - Tastiera digitale (mod. MOTB) - Lettore a transponder (mod. MOMB) - Selettore a chiave (mod. MOSE)
- f** - Coppia di colonnine per fotocellule
- g** - Arresto meccanico in chiusura
- h** - Elettroserratura

Questi componenti sono posizionati secondo uno schema tipico e usuale. Facendo riferimento alla **fig. 3**, stabilire la posizione approssimativa in cui verrà installato ciascun componente previsto nell'impianto. **Importante** - Prima di eseguire l'installazione, preparare i cavi elettrici necessari al vostro impianto, facendo riferimento alla **fig. 4** e alla "**Tabella 1 - Caratteristiche tecniche dei cavi elettrici**".

Attenzione! - Durante la posa in opera dei tubi per il passaggio dei cavi elettrici, considerare che a causa di possibili depositi d'acqua presenti nei pozzetti di derivazione, i tubi di collegamento possono creare fenomeni di condensa all'interno della centrale e danneggiare i circuiti elettronici.

3.4 - Installazione del motoriduttore mod. HK7024 - HK7224 - HK7024HS - HK7224HS

AVVERTENZE

- **Un'installazione errata può causare gravi ferite alla persona che esegue il lavoro e alle persone che utilizzeranno l'impianto.**
- **Prima di iniziare l'assemblaggio dell'automazione, effettuare le verifiche preliminari descritte nel paragrafo 3.1 e 3.2.**

Prima di iniziare l'installazione è necessario determinare la lunghezza del braccio del motoriduttore, vedere paragrafo 3.4.1.

3.4.1 - Determinare la lunghezza del braccio del motoriduttore

- 01.** Assemblare i componenti che costituiscono il braccio del motore come mostrato in **fig.5**;
- 02. Stabilire la posizione del motoriduttore in senso VERTICALE:** tracciare sul pilastro una linea orizzontale alla stessa altezza in cui verrà a

TABELLA 1 - Caratteristiche tecniche dei cavi elettrici (fig. 4)

Collegamento	Tipo di cavo	Lunghezza massima consentita
A: Cavo ALIMENTAZIONE CENTRALE DI COMANDO	1 cavo 3 x 1,5 mm ²	30 m (nota 1)
B: Cavo ELETTROSERRATURA	1 cavo 2 x 1 mm ²	6 m
C: Cavo DISPOSITIVI BLUEBUS	1 cavo 2 x 0,5 mm ²	20 m (nota 2)
D: Cavo SELETTORE A CHIAVE	2 cavi 2 x 0,5 mm ² (nota 3)	50 m
E: Cavo ALIMENTAZIONE MOTORIDUTTORE Cavo COLLEGAMENTO ENCODER	1 cavo 3 x 1,5 mm ² (nota 4) 1 cavo 2 x 1 mm ² (nota 4)	10 m 10 m
F: Cavo LAMPEGGIANTE con antenna	1 cavo 2 x 0,5 mm ² 1 cavo schermato tipo RG58	20 m 20 m (consigliato minore di 5 m)

Nota 1 - Se il cavo di alimentazione supera i 30 m di lunghezza, occorre utilizzare un cavo con sezione maggiore (3 x 2,5 mm²) ed è necessario installare una messa a terra di sicurezza in prossimità dell'automazione.

Nota 2 - Se il cavo Bluebus supera i 20 m di lunghezza, fino ad un massimo di 40 m, occorre utilizzare un cavo con sezione maggiore (2 x 1 mm²).

Nota 3 - Questi 2 cavi possono essere sostituiti da 1 unico cavo da 4 x 0,5 mm².

Nota 4 - Questi cavi possono essere sostituiti con 1 unico cavo da 5 x 1,5 mm².

ATTENZIONE! - I cavi utilizzati devono essere adatti al tipo di ambiente in cui avviene l'installazione.

- trovarsi la staffa di fissaggio del braccio sull'anta, dopo l'installazione (fig. 6).
- 03. Stabilire la posizione del motoriduttore in senso ORIZZONTALE (quota A):**
ATTENZIONE! – Se nelle vicinanze dell'area d'installazione è presente un ostacolo fisso (muro, albero, ecc.), occorre misurare la quota E (fig. 2) e procedere come segue:
- Se la quota E è un valore uguale o superiore a 650 mm, vedere paragrafo 3.4.2
 - Se la quota E è un valore compreso tra 300 mm (minimo) e 650 mm (massimo), vedere paragrafo 3.4.3

3.4.2 - Installazione del motoriduttore con BRACCIO DI LUNGHEZZA INTERA

- 01. a)** Misurare sul pilastro la **quota B** (fig. 7) = distanza tra il fulcro di rotazione dell'anta e la superficie del pilastro dove verrà fissata la staffa posteriore del motoriduttore.
b) Portare l'anta fino all'apertura desiderata (massimo 110°): valore dell'angolo.
c) Segnare sul **Grafico 2** la **quota B** trovata e tracciare da questo punto una linea orizzontale fino ad intersecare l'area che comprende il valore dell'angolo misurato al punto **b**.
d) Nei punti d'intersezione tra la linea orizzontale e l'area, tracciare delle linee verticali determinando i valori utilizzabili per la **quota A** (fig. 8). **Quindi, scegliere in questo range un valore di A.**
e) Riportare sul pilastro il valore trovato della **quota A** e tracciare in corrispondenza una linea verticale.

02. Fissare la staffa sul pilastro (fig. 9):

- f) fase 1-2:** Appoggiare la staffa sul pilastro facendo corrispondere la sua mezzeria verticale con la linea verticale tracciata prima (quota A), e il suo braccio, con la linea orizzontale tracciata durante la procedura 3.4.1. In questa fase, accertarsi che il motoriduttore sia perfettamente in bolla: un motoriduttore fuori asse può provocare malfunzionamenti all'automazione.
g) fase 3-4: Segnare i punti di fissaggio, forare la superficie del pilastro e inserire i tasselli; a questo punto, fissare la staffa utilizzando viti e rondelle adeguate.

03. Fissare il braccio del motoriduttore sull'anta:

- h)** Portare l'anta del cancello nella posizione di massima chiusura;
i) fase 5: Fissare il motoriduttore alla staffa con le due viti e dadi in dotazione;
l) Sbloccare il motoriduttore; vedere cap. 3.6;
m) fase 6: Spingere con forza il braccio del motoriduttore **fino alla sua massima estensione. Attenzione! - Accertarsi che il braccio si blocchi nel suo fincorsa;**
n) Avvicinare il braccio all'anta, appoggiando su quest'ultima la staffa di fissaggio.
o) fase 7: Accertarsi che il braccio del motoriduttore sia in bolla e segnare con una matita **il centro del profilo delle asole** della staffa, per permettere in futuro una regolazione fine della chiusura dell'anta (vedere il paragrafo 4.8).
p) Tenendo con una mano la staffa a contatto con l'anta, provare a effettuare una apertura e una chiusura completa.
q) fase 8: Forare l'anta nei punti segnati e staccare la staffa dal braccio e fissarla all'anta del cancello con viti adeguate.
r) fase 9: Fissare il braccio alla staffa, inserendo il perno e il benzing di arresto. **Importante** - Controllare che la staffa e il braccio siano perfettamente in bolla. Eventualmente allentare le viti della staffa e mettere in bolla.
s) Posizionare i fermi di fincorsa meccanici; vedere cap. 3.5;
t) fase 10: Infine, portare manualmente l'anta del cancello a circa metà della sua corsa e bloccare il motoriduttore con l'apposita chiave (vedere cap. 3.6). Quindi, spostare manualmente l'anta di pochi centimetri, in direzione dell'apertura.

- 04.** Se il cancello da automatizzare è a due ante, per installare l'altro motoriduttore ripetere tutte le operazioni descritte in questo capitolo 3.4

3.4.3 - Installazione del motoriduttore con BRACCIO DI LUNGHEZZA RIDOTTA

Attenzione! – Con questa configurazione, l'apertura massima dell'anta consentita è 90°.

- 01. a)** Misurare sul pilastro la **quota B** (fig. 7) = distanza tra il fulcro di rotazione dell'anta e la superficie del pilastro dove verrà fissata la staffa posteriore del motoriduttore.
b) Segnare sul **Grafico 2** la **quota B** trovata e tracciare da questo punto una linea orizzontale fino ad intersecare l'area con range 90° - 95°.
c) Nei punti d'intersezione tra la linea orizzontale e l'area, tracciare delle linee verticali determinando i valori utilizzabili per la **quota A** (grafico 2). **Quindi, scegliere in questo range un valore di A.**
d) Riportare sul pilastro il valore trovato della **quota A** e tracciare in corrispondenza una linea verticale.

02. Fissare la staffa sul pilastro (fig. 10):

- e) fase 1-2:** Appoggiare la staffa sul pilastro facendo corrispondere la sua mezzeria verticale con la linea verticale tracciata prima (quota A), e il suo braccio, con la linea orizzontale tracciata durante la procedura 3.4.1. In questa fase, accertarsi che il motoriduttore sia perfettamente in bolla: un motoriduttore fuori asse può provocare malfunzionamenti all'automazione.
f) fase 3-4: Segnare i punti di fissaggio, forare la superficie del pilastro e inserire i tasselli; a questo punto, fissare la staffa utilizzando viti e rondelle adeguate.
g) Portare l'anta del cancello nella posizione di massima chiusura;
h) fase 5: Fissare il motoriduttore alla staffa con le due viti e dadi in dotazione;
i) Sbloccare il motoriduttore; vedere cap. 3.6;

03. Verificare la lunghezza del braccio asolato rispetto al contesto:

- l) fase 6:** Avvicinare il braccio all'anta, appoggiando su quest'ultima la staffa di fissaggio: **attenzione! - spingere con le mani il braccio curvo contro l'anta, fino al blocco del braccio (massima apertura).**
m) fase 7: Accertarsi che il braccio del motoriduttore sia in bolla e segnare con una matita **il centro del profilo delle asole** della staffa, per permettere in futuro una regolazione fine della chiusura dell'anta (vedere paragrafo 4.8).
n) Fissare provvisoriamente la staffa sull'anta e portare l'anta nella posizione di massima apertura.

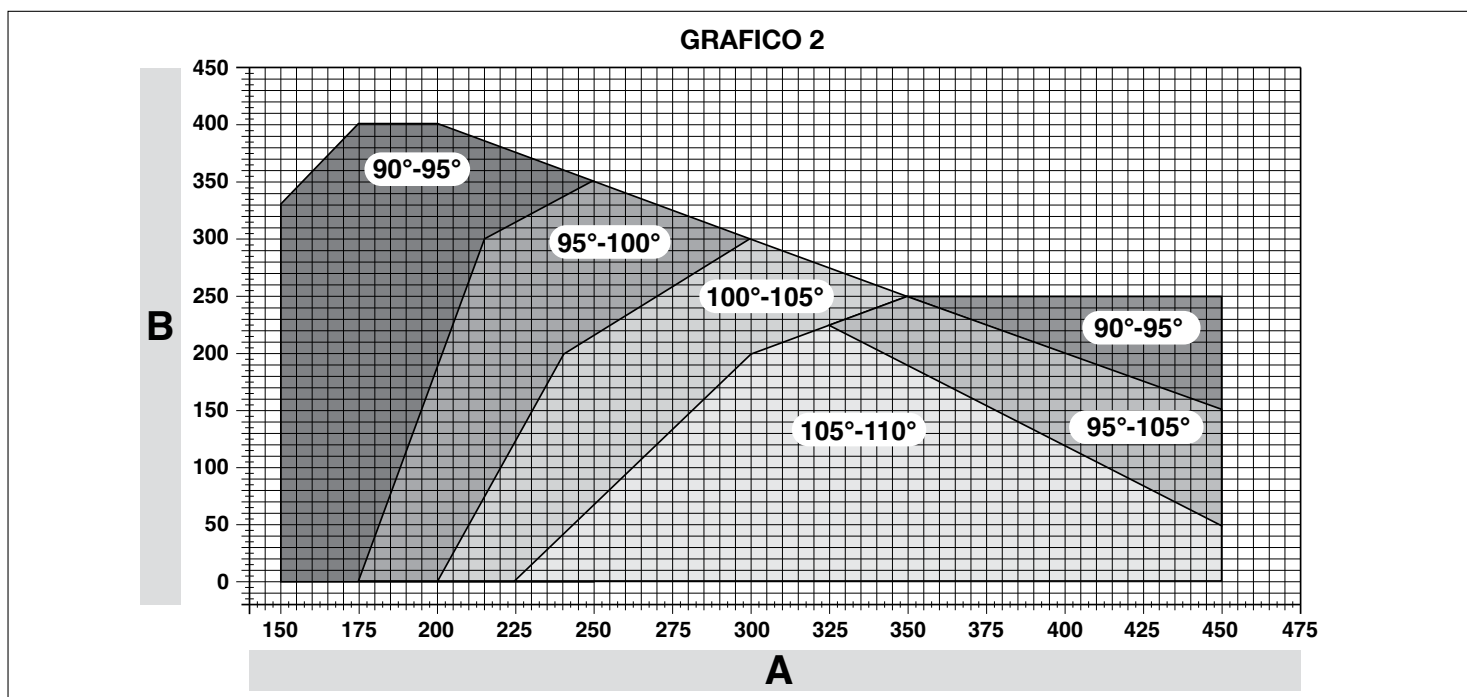
04. Fissare il braccio del motoriduttore sull'anta:

- o) fase 8:** Forare l'anta nei punti segnati precedentemente.
p) fase 9-10: Staccare la staffa dal braccio e fissarla all'anta del cancello con viti adeguate.
q) fase 11: Fissare il braccio alla staffa, inserendo il perno e il benzing di arresto. **Importante** - Controllare che la staffa e il braccio siano perfettamente in bolla. Eventualmente allentare le viti della staffa e mettere in bolla.
r) Posizionare i fermi di fincorsa meccanici; vedere cap. 3.5.
s) fase 12: Infine, portare manualmente l'anta del cancello a circa metà della sua corsa e bloccare il motoriduttore con l'apposita chiave (vedere cap. 3.6) Quindi, spostare manualmente l'anta di pochi centimetri, in direzione dell'apertura.

- 05.** Se il cancello da automatizzare è a due ante, per installare l'altro motoriduttore ripetere tutte le operazioni descritte in questo capitolo 3.4

3.5 - Regolazione dei fincorsa meccanici

- 01.** Portare manualmente le ante del cancello in posizione di massima apertura;
02. Ruotare il disco in plastica, posto sulla parte inferiore del motoriduttore, portando la feritoia sotto il braccio nella posizione mostrata nella **fig. 11-1**;
03. Inserire il fincorsa nella prima posizione possibile: provare ad inserirlo



come mostrato in **fig. 11-2** (direzione di apertura);

- 04.** Ruotare il disco in modo da non far cadere il fincorsa, portando la feritoia nella posizione mostrata nella **fig. 11-3**; per una regolazione più precisa, agire sulla vite di regolazione (**fig. 11-4**);
- 05.** Se nell'impianto non è presente il fermo a terra di chiusura, è necessario ripetere la procedura dal punto 01 anche per la regolazione del fincorsa in chiusura;
- 06.** Infine, avvitare a fondo il dado di fissaggio del disco (**fig. 11-5**) per assicurarsi che non possa ruotare accidentalmente.

3.6 - Sbloccare e bloccare manualmente il motoriduttore

Il motoriduttore è dotato di un sistema di sblocco meccanico che consente di aprire e chiudere il cancello manualmente.

Queste operazioni manuali devono essere eseguite nei casi di mancanza di corrente elettrica, anomalie di funzionamento o nelle fasi di installazione.

Sboccare (fig. 12-A):

- 01.** Inserire la chiave nell'apposita serratura;
- 02.** Ruotare la chiave in senso orario (90°);
- 03.** Per effetto di una molla, esce la leva: ruotare la leva di 90° in senso antiorario;
- 04.** A questo punto, è possibile muovere manualmente l'anta nella posizione desiderata.

Bloccare (fig. 12-B):

- 01.** Ruotare la leva di 90° ponendo il gambo in posizione verticale;
- 02.** Spingere la leva fino alla sua sede;
- 03.** Ruotare la chiave di 90° in senso antiorario ed estrarre la chiave.

4 COLLEGAMENTI ELETTRICI

Il collegamento elettrico dei vari dispositivi (fotocelle, tastiere digitali, lettori di tessere a transponder, ecc.) presenti nell'automazione, con la centrale di comando, deve essere effettuato tramite il sistema "Bluebus" di Nice.

Descrizione dei collegamenti elettrici (fig. 13)

ANTENNA	ingresso per l'antenna di un ricevitore radio
FLASH	uscita per 1 lampeggiante con lampada da 12 V (massimo 21 W). [*]
ELS	uscita per elettroserratura da 12 Vac (massimo 15 VA). [*]
S.C.A.	"Spia Cannello Aperto": uscita per 1 lampada di segnalazione da 24 V e massimo 4 W. [*]
BLUEBUS	ingresso per dispositivi compatibili (MOFB, MOFOB, MOB e MOTB; collegamento dei dispositivi in parallelo tramite 2 conduttori nel quale transita sia l'alimentazione elettrica sia i segnali di comunicazione; nessuna polarità da rispettare. Il collegamento elettrico da utilizzare è di tipo parallelo e non necessita di rispettare alcuna polarità. Durante la fase di apprendimento, ogni dispositivo collegato alla centrale verrà riconosciuto singolarmente da questa, grazie ad un codice univoco. Ogni volta che verrà aggiunto o eliminato un dispositivo, sarà necessario eseguire l'apprendimento di questo da parte della centrale (vedere paragrafo 4.6).
STOP	ingresso per dispositivi che con il loro intervento provocano l'arresto immediato della manovra in atto, seguito da una breve inversione; possibilità di collegare contatti di tipo NA, NC oppure dispositivi con uscita a resistenza costante 8,2 kΩ (bordi sensibili). Ogni dispositivo collegato a questo ingresso, viene riconosciuto singolarmente dalla centrale durante la fase di apprendimento (paragrafo 3.4); in questa fase, se la centrale rileva una qualsiasi variazione rispetto allo stato appreso, provoca uno STOP. È possibile collegare a questo ingresso uno o più dispositivi anche diversi tra loro: <ul style="list-style-type: none"> - collegare in parallelo più dispositivi NA, senza limiti di quantità; - collegare in serie più dispositivi NC, senza limiti di quantità; - collegare in parallelo 2 dispositivi con uscita a resistenza costante 8,2 kΩ. Se sono più di 2 i dispositivi è necessario collegarli a cascata con 1 sola resistenza di terminazione da 8,2 kΩ; - collegare in parallelo 2 dispositivi NA e NC, mettendo in serie al contatto NC una resistenza da 8,2 kΩ (questo rende possibile anche la combinazione tra 3 dispositivi NA - NC e 8,2 kΩ)
P.P.	ingresso per dispositivi di comando che intervenendo, provocano la manovra con modalità Passo Passo; possibilità di collegare contatti di tipo NA
OPEN	ingresso per dispositivi di comando che intervenendo, provocano solo la manovra di apertura; possibilità di collegare contatti di tipo NA

CLOSE	ingresso per dispositivi di comando che intervenendo, provocano solo la manovra di Chiusura possibilità di collegare contatti di tipo NA
ENC1	ingresso encoder - motoriduttore 1 (morsetto 1, 2); nessuna polarità da rispettare
ENC2	ingresso encoder - motoriduttore 2 (morsetto 4, 5); nessuna polarità da rispettare
M1	uscita per motoriduttore 1 (morsetto 7, 8, 9)
M2	uscita per motoriduttore 2 (morsetto 10, 11, 12).

[*] Le uscite FLASH, ELS e S.C.A. possono essere programmate con altre funzioni (vedere "TABELLA 3 - Funzioni 1° livello"; oppure tramite programmatore Oview, vedere paragrafo 8.3).

4.1 - Collegamenti elettrici del motoriduttore con centrale mod. HK7024 - HK7024HS

Attenzione! - Effettuare i collegamenti elettrici solo dopo aver installato il motoriduttore.

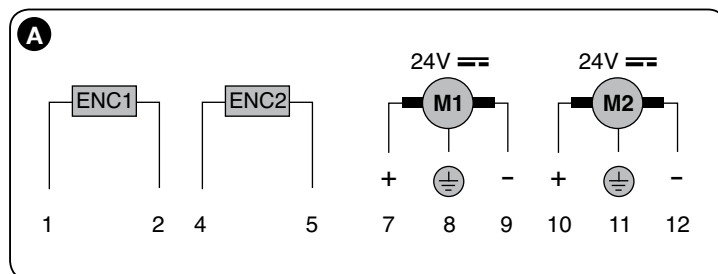
AVVERTENZE!

- Le operazioni di collegamento devono essere eseguite esclusivamente da personale qualificato.

- Tutti i collegamenti elettrici devono essere eseguiti in assenza di alimentazione elettrica di rete e con la batteria tampone scollegata, se presente nell'automazione.

- Sulla linea elettrica di alimentazione, è necessario prevedere un dispositivo che assicuri la disconnessione completa dell'automazione dalla rete. Il dispositivo di disconnessione deve avere i contatti con distanza di apertura tale da consentire la disconnessione completa, nelle condizioni sancite dalla categoria di sovratensione III, conformemente alle regole di installazione. In caso di necessità, questo dispositivo garantisce una veloce e sicura sconnessione dell'alimentazione; pertanto deve essere posizionato in vista dell'automazione. Se invece è collocato in posizione non visibile, deve avere un sistema che blocchi un'eventuale riconnessione accidentale o non autorizzata dell'alimentazione, al fine di scongiurare qualsiasi pericolo. Il dispositivo di sconnessione non è fornito con il prodotto.

- 01.** Aprire il coperchio (**fig. 14-1**);
 - 02.** Alzare la centrale (**fig. 14-2**);
 - 03.** Passare il cavo di alimentazione e gli altri cavi elettrici attraverso uno dei fori presenti sulla parte inferiore del motoriduttore; è necessario tagliare la guaina presente (**fig. 14-4**);
 - 04.** Svitare il pressa-cavo e adagiare il cavo di alimentazione sull'apposita corsia (**fig. 14-5**);
 - 05.** Collegare prima il cavo di alimentazione, vedere **fig. 14-6**;
 - 06.** Bloccare il cavo di alimentazione con il pressa-cavo (**fig. 14-7**);
 - 07.** Ora collegare i cavi elettrici dei motori M1 e M2, rispettando i simboli sull'etichetta (**fig. A**):
 - a)** collegare al morsetto M1 (7-8-9) il motore che aziona l'anta inferiore (la seconda che inizia la manovra di apertura) e poi, il rispettivo encoder ai morsetti 1-2;
 - b)** collegare al morsetto M2 (10-11-12) il motore che aziona l'anta superiore (la prima che inizia la manovra di apertura) e poi, il rispettivo encoder ai morsetti 4-5.
- IMPORTANTE! - Se nell'impianto è presente un solo motoriduttore, collegarlo al morsetto M2 lasciando libero il morsetto M1;**



- 08.** Ora, collegare i cavi elettrici dei vari dispositivi presenti facendo riferimento alla **fig. 17** e vedere paragrafo 4.3. **Nota** - Per facilitare i collegamenti dei cavi, è possibile estrarre i morsetti dalle proprie sedi;
- 09.** Richiudere il coperchio del motoriduttore (**fig. 14-8**).

4.2 - Collegamento del motoriduttore senza centrale mod. HK7224 - HK7224HS

- 01.** Aprire il coperchio come mostrato in **fig. 15-1**;
- 02.** Passare il cavo del motore attraverso uno dei fori presenti sulla parte inferiore del motoriduttore; è necessario tagliare la guaina presente (**fig. 15-2**);
- 03.** Svitare il pressa-cavo (**fig. 15-3**), adagiare il cavo sull'apposita corsia e collegare i fili come mostrato in **fig. 16-4**; rispettare i simboli sull'etichetta;
- 03.** Bloccare il cavo con il pressa-cavo (**fig. 15-5**);
- 04.** Richiudere il coperchio del motoriduttore (**fig. 15-6**).

4.3 - Collegamento di altri dispositivi

Se si necessita di alimentare ulteriori dispositivi previsti nell'impianto, ad esempio un lettore di tessere a transponder oppure la luce d'illuminazione per il selettore a chiave, è possibile collegare questi dispositivi alla centrale di comando sui morsetti "P.P. (positivo)" e "STOP (negativo)" (fig. 13). La tensione di alimentazione è 24 Vcc (-30% ÷ +50%) con corrente massima disponibile di 200 mA.

Nota – La tensione disponibile nei morsetti "P.P." e "STOP", rimane presente anche quando viene attivata la funzione "Stand By" sulla scheda.

4.4 - Indirizzamento dei dispositivi collegati

Per permettere alla centrale di riconoscere i dispositivi collegati al sistema Bluebus, è necessario eseguire l'indirizzamento di quest'ultimi. Questa operazione, deve essere eseguita posizionando correttamente il ponticello elettrico presente in ogni dispositivo: vedere fig. B.

Per eseguire l'indirizzamento di altri dispositivi, consultare i rispettivi manuali istruzioni.

Alla fine della procedura d'installazione oppure in seguito alla rimozione di fotocellule o di altri dispositivi, è necessario eseguire la procedura di apprendimento di quest'ultimi; vedere il paragrafo 4.6.

B

INDIRIZZI DELLE FOTOCELLULE	
Fotocellula	Ponticelli
FOTO Fotocellula esterna h = 50 con intervento in chiusura (ferma ed inverte il movimento)	
FOTO II Fotocellula esterna h = 100 con intervento in chiusura (ferma ed inverte il movimento)	
FOTO 1 Fotocellula interna h = 50 con intervento sia in chiusura (ferma ed inverte il movimento) che in apertura (ferma e riparte al disimpegno della fotocellula)	
FOTO 1 II Fotocellula interna h = 100 con intervento sia in chiusura (ferma ed inverte il movimento) che in apertura (ferma e riparte al disimpegno della fotocellula)	
FOTO 2 Fotocellula interna con intervento in apertura (ferma ed inverte il movimento)	
FOTO 2 II Fotocellula interna con intervento in apertura (ferma ed inverte il movimento)	
FOTO 3 CONFIGURAZIONE NON PERMESSA	

4.5 - Prima accensione e verifica dei collegamenti

Dopo aver dato alimentazione elettrica alla centrale di comando, eseguire le seguenti verifiche:

- trascorsi alcuni secondi, verificare che il Led "Bluebus" (fig. 16) lampeggi regolarmente con frequenza di 1 lampeggio al secondo;
- verificare che i Led delle fotocellule (fig. 16), sia TX sia RX, emettano lampeggi. Il tipo di lampeggio emesso, in questa fase, non è significativo;
- verificare che il lampeggiante collegato all'uscita FLASH sia spento.

Se tutto questo non avviene, è necessario togliere l'alimentazione elettrica alla centrale e controllare i vari collegamenti elettrici precedentemente effettuati.

4.6 - Apprendimento dei dispositivi collegati

Dopo aver effettuato la prima accensione, è necessario far riconoscere alla centrale i dispositivi collegati agli ingressi "Bluebus" e "Stop".

ATTENZIONE! – La fase di apprendimento deve essere eseguita anche se alla centrale non è collegato alcun dispositivo.

La centrale, è in grado di riconoscere singolarmente i vari dispositivi collegati

grazie alla procedura di apprendimento e di rilevare le possibili anomalie presenti. Per questo, è necessario eseguire l'apprendimento dei dispositivi ogni volta che uno di questi viene aggiunto oppure viene rimosso.

I Led "L1" e "L2" presenti sulla centrale (fig. 16), emettono dei lampeggi lenti per indicare che è necessario eseguire l'apprendimento:

01. Premere e tenere premuti contemporaneamente i tasti "◀" e "Set" (fig. 16).
02. Rilasciare i tasti quando i led "L1" e "L2" iniziano a lampeggiare velocemente (dopo circa 3 secondi).
03. Attendere alcuni secondi che la centrale completi la fase di apprendimento dei dispositivi.
04. Al termine di questa fase il Led "Stop" deve essere acceso e i Led "L1" e "L2" si devono spegnere (potrebbero iniziare a lampeggiare i Led "L3" e "L4").

4.7 - Apprendimento delle posizioni dei finecorsa meccanici

Dopo l'apprendimento dei dispositivi collegati (paragrafo 4.6), è necessario eseguire l'apprendimento delle posizioni degli arresti meccanici (massima apertura e massima chiusura). Questa procedura può essere eseguita in tre modalità: **automatico, manuale e misto**.

Nel **modo automatico**, la centrale esegue l'apprendimento degli arresti meccanici e calcola gli sfasamenti più opportuni delle ante (SA e SC, fig. C).

Nel **modo manuale**, le otto posizioni degli arresti meccanici (fig. C) sono programmate una ad una, spostando le ante nei punti desiderati. La posizione da programmare è individuabile grazie al lampeggio di uno degli 8 led (L1...L8), vedere **Tabella 2**.

Nel **modo misto**, è possibile eseguire la procedura automatica e poi, con la procedura manuale, modificare una o più posizioni ad eccezione delle posizioni "0" e "1" (fig. C) che coincidono con le posizioni dei fermi meccanici.

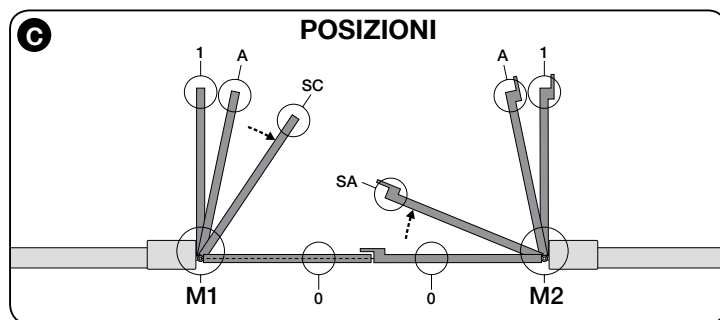


TABELLA 2		
Posizione	Led	Descrizione
Posizione 0 (motore 1)	L1	Posizione di massima chiusura: quando l'anta 1 batte sull'arresto meccanico di chiusura
Posizione 0 (motore 2)	L2	Posizione di massima chiusura: quando l'anta 2 batte sull'arresto meccanico di chiusura
Posizione SA (motore 2)	L3	Sfasamento in apertura: quando l'anta 2 supera questa posizione, inizia l'apertura dell'anta 1
Posizione A (motore 1)	L4	Posizione di apertura desiderata: posizione in cui l'anta collegata al motore 1 deve fermarsi al termine di una manovra di apertura. Non è necessario che questa posizione coincida con il fermo meccanico di apertura, può essere scelta a piacere tra la posizione "0" e "1"
Posizione A (motore 2)	L5	Posizione di apertura desiderata: posizione in cui l'anta collegata al motore 2 deve fermarsi al termine di una manovra di apertura. Non è necessario che questa posizione coincida con il fermo meccanico di apertura, può essere scelta a piacere tra la posizione "0" e "1"
Posizione SC (motore 1)	L6	Sfasamento in chiusura: quando l'anta 1 si trova al di sotto di questa posizione, inizia la chiusura dell'anta 2
Posizione 1 (motore 1)	L7	Posizione di massima apertura: quando l'anta 1 batte sull'arresto meccanico di apertura
Posizione 1 (motore 2)	L8	Posizione di massima apertura: quando l'anta 2 batte sull'arresto meccanico di apertura

4.7.1 - Apprendimento in modo automatico della centrale HKA2: per mod. HK7024 e HK7024HS

01. Premere e tenere premuti contemporaneamente i tasti "Set" e "▶";
02. **Mod. HK7024**
rilasciare i tasti "Set" e "▶" quando i led "L3" e "L4" iniziano a lampeggiare velocemente (dopo circa 4 sec.)
- Mod. HK7024HS**
rilasciare i tasti "Set" e "▶" quando i led "L5" e "L6" iniziano a lampeggiare velocemente (dopo circa 7 sec.)
03. Verificare che l'automatismo esegua le seguenti sequenze di manovre:
 - a - Chiusura lenta del motoriduttore M1 fino all'arresto meccanico
 - b - Chiusura lenta del motoriduttore M2 fino all'arresto meccanico
 - c - apertura lenta del motoriduttore M2 e del motoriduttore M1 fino all'arresto meccanico
 - d - Chiusura veloce dei motoriduttori M1 e M2

Avvertenze:

- Se la prima manovra (a) non chiude l'anta comandata dal motore M1 ma quella comandata da M2, premere il tasto "◀" oppure "▶" per fermare la fase di apprendimento. A questo punto, invertire i collegamenti dei motori M1 e M2 sui morsetti presenti sulla centrale e poi, quelli dei rispettivi encoder; infine, iniziare la procedura dal punto 01;
- Se le prime due manovre (a e b) non risultano come "chiusure" ma come "aperture", premere il tasto "◀" oppure "▶" per fermare la fase di apprendimento. A questo punto, sul motoriduttore che ha eseguito la manovra di apertura, invertire la polarità dei due fili del motoriduttore M1 (morsetti 7 e 9) e di M2 (morsetti 10 e 12) e poi, iniziare la procedura dal punto 01;

04. Al termine della manovra di Chiusura dei 2 motori (d), i led:

"L3" e "L4" = HK7024

"L5" e "L6" = HK7024HS

si spengono ad indicare che la procedura è stata eseguita correttamente.

Avvertenze:

- Se durante la procedura di apprendimento automatico, si verifica l'intervento delle fotocellule oppure di un dispositivo collegato all'ingresso "stop", la procedura si interrompe e il led L1 inizia a lampeggiare. Per riattivare l'apprendimento, è necessario riprendere la procedura dal punto 01;
- La procedura di apprendimento automatico, può essere eseguita nuovamente in qualsiasi momento, anche dopo aver effettuato l'installazione; ad esempio, a seguito della variazione della posizione degli arresti meccanici.

4.7.2 - Apprendimento in modo manuale della centrale HKA2: SOLO per mod. HK7024

Attenzione! - Dal passo 03 in poi:

- per spostarsi dal led L1 a L8, occorre una breve pressione del tasto ◀ oppure ▶ (il led lampeggia, indicando l'attuale posizione);
- per far muovere il motore in un senso o nell'altro, occorre la pressione continua del tasto ◀ oppure ▶.

01. Premere e tenere premuti contemporaneamente i tasti "Set" e "▶";

02. Rilasciare i tasti quando il led "L1" inizia a lampeggiare (dopo circa 1 secondo); **Nota - Superati i 3 secondi, se i tasti "Set" e "▶" non vengono rilasciati, si attiva la procedura di "apprendimento automatico" e non quello manuale.**

03. • il led L1 lampeggia: **posizione 0 di M1**

Per comandare e portare il motore 1 nella **posizione 0 (fig. C)**: premere e tenere premuto il tasto "◀" o "▶". Raggiunta la posizione, rilasciare il tasto per fermare la manovra. Per memorizzare la posizione, premere e tenere premuto il tasto "Set" per almeno 3 sec. e poi rilasciarlo (dopo 2 sec. il led L1 rimane acceso e al rilascio del tasto "Set" inizia a lampeggiare il led L2).

• il led L2 lampeggia: **posizione 0 di M2**

Per comandare e portare il motore 2 nella **posizione 0 (fig. C)**: premere e tenere premuto il tasto "◀" o "▶". Raggiunta la posizione, rilasciare il tasto per fermare la manovra. Per memorizzare la posizione, premere e tenere premuto il tasto "Set" per almeno 3 sec. e poi rilasciarlo (dopo 2 sec. il led L2 rimane acceso e al rilascio del tasto "Set" inizia a lampeggiare il led L3).

• il led L3 lampeggia: **posizione SA di M2**

Per comandare e portare il motore 2 nella **posizione SA (fig. C)**: premere e tenere premuto il tasto "◀" o "▶". Raggiunta la posizione, rilasciare il tasto per fermare la manovra. Per memorizzare la posizione, premere e tenere premuto il tasto "Set" per almeno 3 sec. e poi rilasciarlo (dopo 2 sec. il led L3 rimane acceso e al rilascio del tasto "Set" inizia a lampeggiare il led L4).

• il led L4 lampeggia: **posizione A di M1**

Per comandare e portare il motore 1 nella **posizione A (fig. C)**: premere e tenere premuto il tasto "◀" o "▶". Raggiunta la posizione, rilasciare il tasto per fermare la manovra. Per memorizzare la posizione, premere e tenere premuto il tasto "Set" per almeno 3 sec. e poi rilasciarlo (dopo 2 sec. il led L4 rimane acceso e al rilascio del tasto "Set" inizia a lampeggiare il led L5).

• il led L5 lampeggia: **posizione A di M2**

Per comandare e portare il motore 2 nella **posizione A (fig. C)**: premere e tenere premuto il tasto "◀" o "▶". Raggiunta la posizione, rilasciare il tasto per fermare la manovra. Per memorizzare la posizione, premere e tenere premuto il tasto "Set" per almeno 3 sec. e poi rilasciarlo (dopo 2 sec. il led L5 rimane acceso e al rilascio del tasto "Set" inizia a lampeggiare il led L6).

• il led L6 lampeggia: **posizione SC di M1**

Per comandare e portare il motore 1 nella **posizione SC (fig. C)**: premere e tenere premuto il tasto "◀" o "▶". Raggiunta la posizione, rilasciare il tasto per fermare la manovra. Per memorizzare la posizione, premere e tenere premuto il tasto "Set" per almeno 3 sec. e poi rilasciarlo (dopo 2 sec. il led L6 rimane acceso e al rilascio del tasto "Set" inizia a lampeggiare il led L7);

• il led L7 lampeggia: **posizione 1 di M1**

Per comandare e portare il motore 1 nella **posizione 1 (fig. C)**: premere e tenere premuto il tasto "◀" o "▶". Raggiunta la posizione, rilasciare il tasto per fermare la manovra. Per memorizzare la posizione, premere e tenere premuto il tasto "Set" per almeno 3 sec. e poi rilasciarlo (dopo 2 sec. il led L7 rimane acceso e al rilascio del tasto "Set" inizia a lampeggiare il led L8).

• il led L8 lampeggia: **posizione 1 di M2**

Per comandare e portare il motore 2 nella **posizione 1 (fig. C)**: premere e tenere premuto il tasto "◀" o "▶". Raggiunta la posizione, rilasciare il

tasto per fermare la manovra. Per memorizzare la posizione, premere e tenere premuto il tasto "Set" per almeno 3 sec. e poi rilasciarlo per uscire dalla programmazione (dopo 2 sec. il led L8 rimane acceso fino al rilascio del tasto "Set").

Nota - Programmazione manuale di un impianto con un solo motoriduttore: procedere come descritto all'inizio di questo paragrafo dal passo 01.

Al passo 03 procedere come segue:

- **programmare le posizioni relative ai led L1 (0 di M1) e L7 (1 di M1) nel modo seguente:** mantenere premuto il tasto "Set" per almeno 3 sec. e poi rilasciarlo (dopo 2 sec. il led rimane acceso e al rilascio del tasto "Set" inizia a lampeggiare il led successivo).
- **non programmare le posizioni relative ai led L3 (SA di M2) - L4 (A di M1) - L6 (SC di M1):** per spostarsi tra le posizioni premere brevemente il tasto "◀" o "▶".

4.7.3 - Apprendimento in modo misto della centrale HKA2: per mod. HK7024 e HK7024HS

Eseguire questa procedura dopo l'esecuzione dell'apprendimento in modo automatico:

01. Premere e tenere premuti contemporaneamente i tasti "Set" e "▶";

02. Rilasciare i tasti quando il led "L1" inizia a lampeggiare (dopo circa 1 secondo); **Nota - Superati i 3 secondi, se i tasti "Set" e "▶" non vengono rilasciati, si attiva la procedura di "apprendimento automatico" e non quello manuale.**

03. Con una breve pressione del tasto "◀" o "▶" spostare il led lampeggiante (L1...L8) sulla posizione che si desidera programmare e procedere per ogni singola posizione, come descritto al passo 03 dell'apprendimento in modo manuale (paragrafo 4.7.2).

Ripetere quest'ultima operazione per tutte le altre posizioni che si desidera modificare.

Per terminare l'apprendimento manuale, premere ripetutamente il tasto "▶", per spostare il led che lampeggia, oltre la posizione L8.

4.8 - Verifica del movimento delle ante del cancello

Al termine della fase di apprendimento, si consiglia di far eseguire alla centrale alcune manovre di apertura e Chiusura, in modo da verificare il corretto movimento del cancello, gli eventuali difetti di montaggio e di regolazione.

01. Premere il tasto "Open". Verificare il corretto sfasamento delle ante in apertura e verificare che durante la manovra di apertura sia presente la fase di accelerazione, la fase a velocità costante, la fase di rallentamento e che il fincorsa delle ante sia impostato a qualche centimetro di distanza dagli arresti meccanici di apertura;

02. Premere il tasto "Close" e verificare che durante la manovra di Chiusura sia presente la fase di accelerazione, la fase a velocità costante, la fase di rallentamento. Verificare il corretto sfasamento delle ante in chiusura. Al termine le ante devono essere pertettamente chiuse sull'arresto meccanico di chiusura;

03. Verificare, durante le manovre, che il lampeggiante esegua lampeggi con intervalli di 0,5 secondi a lampeggiante acceso e di 0,5 secondi a lampeggiante spento.

5 COLLAUDO E MESSA IN SERVIZIO

Queste sono le fasi più importanti nella realizzazione dell'automazione, al fine di garantire la massima sicurezza dell'impianto. Il collaudo può essere usato anche per verificare periodicamente i dispositivi che compongono l'automazione. Le fasi del collaudo e della messa in servizio dell'automazione devono essere eseguite da personale qualificato ed esperto che dovrà farsi carico di stabilire le prove necessarie a verificare le soluzioni adottate nei confronti dei rischi presenti, e di verificare il rispetto di quanto previsto da leggi, normative e regolamenti: in particolare, di tutti i requisiti della norma EN 12445 che stabilisce i metodi di prova per la verifica degli automatismi per cancelli.

I dispositivi aggiuntivi, devono essere sottoposti ad uno specifico collaudo, sia per quanto riguarda la funzionalità sia per quanto riguarda la loro corretta interazione con HYKE; quindi, fare riferimento ai manuali istruzioni dei singoli dispositivi.

5.1 - Collaudo

La sequenza di operazioni da eseguire per il collaudo, descritta di seguito, si riferisce ad un impianto tipico (fig. 3):

- 1 Verificare che sia stato rispettato rigorosamente tutto quello previsto nel capitolo "Avvertenze per l'installazione".
- 2 Sbloccare i motoriduttori per la manovra manuale come descritto nel rispettivo manuale di istruzioni. Agendo sull'anta, nel punto previsto per la manovra manuale, verificare che sia possibile muovere le ante in apertura e in chiusura con una forza inferiore a 390 N.
- 3 Bloccare i motoriduttori (vedere capitolo 3.6).
- 4 Utilizzando i dispositivi di comando (trasmettitore, pulsante di comando, selettore a chiave, ecc.), effettuare delle prove di apertura, chiusura ed arresto del cancello, accertando che il movimento delle ante corrisponda a quanto previsto. Conviene eseguire diverse prove al fine di valutare il movimento delle ante ed accertare eventuali difetti di montaggio, di regolazione, nonché la presenza di particolari punti d'attrito.
- 5 Verificare uno ad uno il corretto funzionamento di tutti i dispositivi di sicurezza presenti nell'impianto (fotocellule, bordi sensibili ecc.). Quando un

dispositivo interviene il led "BLUEBUS", presente sulla centrale, emette 2 lampeggi più veloci come conferma dell'avvenuto riconoscimento.

- 6 Se le situazioni pericolose provocate dal movimento delle ante sono state salvaguardate mediante la limitazione della forza d'impatto si deve eseguire la misura della forza secondo quanto previsto dalla norma EN 12445 ed eventualmente, se il controllo della "forza motoriduttore" viene usato come ausilio al sistema per la riduzione della forza d'impatto, provare e trovare la regolazione che dia i risultati migliori.

5.2 - Messa in servizio

La messa in servizio può avvenire solo dopo aver eseguito con esito positivo tutte le fasi di collaudo.

- 1 Realizzare il fascicolo tecnico dell'automazione che dovrà comprendere i seguenti documenti: un disegno complessivo dell'automazione, lo schema dei collegamenti elettrici effettuati, l'analisi dei rischi presenti e le relative soluzioni adottate, la dichiarazione di conformità del fabbricante di tutti i dispositivi

utilizzati e la dichiarazione di conformità compilata dall'installatore.

- 2 Apporre sul cancello una targhetta contenente almeno i seguenti dati: tipo di automazione, nome e indirizzo del costruttore (responsabile della "messa in servizio"), numero di matricola, anno di costruzione e marchio "CE".
- 3 Compilare e consegnare al proprietario dell'automazione la dichiarazione di conformità dell'automazione.
- 4 Compilare e consegnare al proprietario dell'automazione il **"Manuale per l'uso"** dell'automazione.
- 5 Compilare e consegnare al proprietario dell'automazione il **"Piano di manutenzione"** che raccoglie le prescrizioni sulla manutenzione di tutti i dispositivi dell'automazione.
- 6 Prima di mettere in servizio l'automazione informare adeguatamente il proprietario sui pericoli ed i rischi residui ancora presenti.
- Per tutta la documentazione citata, Nice attraverso il proprio servizio di assistenza tecnica, mette a disposizione: manuali d'istruzioni, guide e moduli precompilati. Vedere anche su: www.nice-service.com

6 PROGRAMMAZIONE DELLA CENTRALE DI COMANDO

Sulla centrale sono presenti 3 tasti **OPEN** (◀), **STOP (SET)**, **CLOSE** (▶) che possono essere utilizzati sia per comandare la centrale durante le fasi di prova sia per la programmazione delle funzioni disponibili.

Le funzioni programmabili disponibili sono disposte su 2 livelli e il loro stato di funzionamento viene segnalato dagli 8 led (**L1** ... **L8**) presenti sulla centrale (led acceso = funzione attiva; led spento = funzione non attiva).

Utilizzare i tasti di programmazione:

OPEN (◀): – tasto per comandare l'apertura del cancello; – tasto di selezione in fase di programmazione.

STOP/SET: tasto per fermare una manovra; se premuto per più di 5 secondi permette di entrare in fase di programmazione.

CLOSE (▶): – tasto per comandare la Chiusura del cancello; – tasto di selezione in fase di programmazione.

6.1 - Programmazione primo livello (ON-OFF)

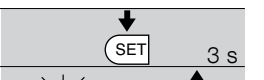
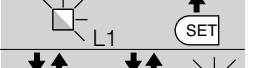

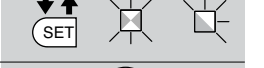

Tutte le funzioni del primo livello sono programmate di fabbrica su "OFF" e possono essere modificate in qualsiasi momento. Per verificare le varie funzioni vedere **Tabella 3**. Per la procedura di programmazione vedere **Tabella 4**.

IMPORTANTE – La procedura di programmazione presenta un tempo massimo di 10 secondi tra la pressione di un tasto e l'altro. Trascorso questo tempo, la procedura termina automaticamente memorizzando le modifiche fatte fino a quel momento.

TABELLA 3 - Funzioni di primo livello

Led	Funzione	Descrizione
L1	Chiusura automatica	Funzione ATTIVA: dopo una manovra di apertura, viene eseguita una pausa (pari al Tempo pausa programmato) trascorsa la quale, la centrale avvia automaticamente una manovra di chiusura. Il valore di fabbrica del Tempo pausa è pari a 30 sec. Funzione NON ATTIVA: il funzionamento è di tipo "semiautomatico".
L2	Richiudi dopo foto	Funzione ATTIVA: se durante la manovra di apertura o chiusura intervengono le fotocellule, il tempo di pausa si riduce a 5 sec. indipendentemente dal "tempo pausa" programmato. Con la "chiusura automatica" disattivata, se durante la Chiusura intervengono le fotocellule, si attiva la "chiusura automatica" con il "tempo pausa" programmato.
L3	Chiudi sempre	Funzione ATTIVA: nel caso di un black-out elettrico, anche breve, al ripristino della corrente elettrica la centrale rileva il cancello aperto e automaticamente avvia una manovra di Chiusura, preceduta da 5 sec. di prelampeggio. Funzione NON ATTIVA: al ritorno della corrente elettrica il cancello rimane dov'è.
L4	Stand by tutto	Funzione ATTIVA: dopo 1 minuto dal termine della manovra, la centrale spegne l'uscita "BlueBus" (dispositivi collegati), il Bus T4 (dispositivi collegati), le uscite flash, ELS e sca, alcuni circuiti interni e tutti i led escluso il Led BlueBus che lampeggerà più lentamente. Quando la centrale riceve un comando ripristina il normale funzionamento (con un breve ritardo). Questa funzione ha lo scopo di ridurre i consumi; aspetto importante con alimentazione a batterie o pannelli fotovoltaici.
L5	Elettroserratura / Luce di cortesia	Funzione ATTIVA: l'uscita "elettroserratura" commuta il proprio funzionamento in "luce di cortesia". Funzione NON ATTIVA: l'uscita funziona come elettroserratura.
L6	Pre-flash	Funzione ATTIVA: è possibile aggiungere una pausa di 3 secondi tra l'accensione del lampeggiante e l'inizio della manovra, per segnalare in anticipo una situazione di pericolo. Funzione NON ATTIVA: la segnalazione del lampeggiante coincide con l'inizio della manovra.
L7	"Chiude" diventa "Apre parziale 1"	Funzione ATTIVA: l'ingresso "Close" della centrale commuta il proprio funzionamento in "Apre Parziale 1".
L8	"Spia cancello aperto" oppure "Spia manutenzione"	Funzione ATTIVA: l'uscita "spia cancello aperto" della centrale, commuta il proprio funzionamento in "spia manutenzione". Funzione NON ATTIVA: l'uscita funziona come "spia cancello aperto".

TABELLA 4 - Procedura di programmazione primo livello

01. Premere e tenere premuto il tasto "Set" per circa 3 secondi;	
02. Rilasciare il tasto quando il led "L1" inizia a lampeggiare;	
03. Premere il tasto "◀" o "▶" per spostare il led lampeggiante sul led che rappresenta la funzione da modificare;	
04. Premere il tasto "Set" per cambiare lo stato della funzione: (lampeggio breve = OFF - lampeggio lungo = ON);	
05. Attendere 10 secondi (tempo massimo) per uscire dalla programmazione.	

Nota – Per programmare altre funzioni su "ON" oppure "OFF", durante l'esecuzione della procedura, occorre ripetere i punti 03 e 04 durante la fase stessa.

6.2 - Programmazione secondo livello (parametri regolabili)

Tutti i parametri del secondo livello sono programmati di fabbrica come evidenziato in **colore grigio** nella **Tabella 5** e possono essere modificate in qualsiasi momento, procedendo come descritto nella **Tabella 6**.

I parametri, sono regolabili su una scala di valori da 1 a 8; per verificare il valore corrispondente ad ogni Led vedere **Tabella 8**. **IMPORTANTE** – La procedura di programmazione presenta un tempo massimo di 10 secondi tra la pressione di un tasto e l'altro. Trascorso questo tempo, la procedura termina automaticamente memorizzando le modifiche fatte fino a quel momento.

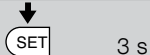
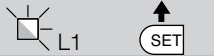


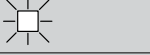

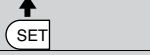

TABELLA 5 - Funzioni di secondo livello

Led di entrata	Parametro	Led (livello)	Valore	Descrizione
L1	Tempo Pausa	L1	5 secondi	Regola il tempo di pausa, cioè il tempo prima della chiusura automatica. Ha effetto solo se la Chiusura è attiva.
		L2	15 secondi	
		L3	30 secondi	
		L4	45 secondi	
		L5	60 secondi	
		L6	80 secondi	
		L7	120 secondi	
		L8	180 secondi	
L2	Funzione Passo Passo	L1	Apri - stop - chiudi - stop	Regola la sequenza di comandi associati all'ingresso "Passo Passo", "Apri", "Chiudi" oppure al comando radio. Nota – Impostando L4, L5, L7 e L8 , viene modificato anche il comportamento dei comandi "Apri" e "Chiudi".
		L2	Apri - stop - chiudi - apri	
		L3	Apri - chiudi - apri - chiudi	
		L4	Condominiale: • nella manovra di apertura il comando "Passo Passo" e "Apri" non provocano nessun effetto; invece, il comando "Chiudi" provoca l'inversione del movimento, cioè la chiusura delle ante. • nella manovra di chiusura il comando "Passo Passo" e "Apri" provocano l'inversione del movimento, cioè l'apertura delle ante; invece, il comando "Chiudi" non provoca nessun effetto.	
		L5	Condominiale 2: • nella manovra di apertura il comando "Passo Passo" e "Apri" non provocano nessun effetto; invece, il comando "Chiudi" provoca l'inversione del movimento, cioè la chiusura delle ante. Se il comando inviato permane per più di 2 secondi, viene eseguito uno "Stop" . • nella manovra di chiusura il comando "Passo Passo" e "Apri" provocano l'inversione del movimento, cioè l'apertura delle ante; invece, il comando "Chiudi" non provoca nessun effetto. Se il comando inviato permane per più di 2 secondi, viene eseguito uno "Stop" .	
		L6	Passo-Passo 2 (meno di 2" fa apri parziale)	
		L7	Uomo presente: la manovra viene eseguita solo se permane il comando inviato; se il comando viene interrotto la manovra si ferma.	
		L8	apertura in "semiautomatico", chiusura a "uomo presente"	
L3	Velocità motori	L1	Molto lenta	Regola la velocità dei motori durante la corsa normale.
		L2	Lenta	
		L3	Media	
		L4	Veloce	
		L5	Molto veloce	
		L6	Velocissima	
		L7	Apri veloce, Chiudi lento	
		L8	Apri velocissima, Chiudi media	
L4	Scaricamento motori dopo la Chiusura	L1	Nessun scaricamento	Regola la durata della "breve inversione" di entrambi i motori, dopo l'esecuzione della manovra di Chiusura, con lo scopo di ridurre la spinta finale residua, garantire un'opportuna chiusura e agevolare lo sblocco manuale del motoriduttore.
		L2	Livello 1 - Scaricamento minimo (circa 100 ms)	
		L3	Livello 2 - ...	
		L4	Livello 3 - ...	
		L5	Livello 4 - ...	
		L6	Livello 5 - ...	
		L7	Livello 6 - ...	
		L8	Livello 7 - Scaricamento massimo (circa 800 ms)	
L5	Forza motori	L1	Livello 1 - Forza minima	Regola la forza di entrambi i motori.
		L2	Livello 2 - ...	
		L3	Livello 3 - ...	
		L4	Livello 4 - ...	
		L5	Livello 5 - ...	
		L6	Livello 6 - ...	
		L7	Livello 7 - ...	
		L8	Livello 8 - Forza massima	
L6	Apertura pedonale o parziale	L1	Pedonale 1 (apertura dell'anta M2 a 1/4 dell'apertura totale)	Regola il tipo di apertura associato al comando "apertura parziale 1". Nei livelli L5, L6, L7, L8; per apertura "minima" si intende apertura minore tra M1 e M2; ad esempio se M1 apre a 90° e M2 apre a 110°; l'apertura minima è 90°
		L2	Pedonale 2 (apertura dell'anta M2 a 1/2 dell'apertura totale)	
		L3	Pedonale 3 (apertura dell'anta M2 a 3/4 dell'apertura totale)	
		L4	Pedonale 4 (apertura totale dell'anta 2)	
		L5	Parziale 1 (apertura delle due ante a 1/4 dell'apertura "minima")	
		L6	Parziale 2 (apertura delle due ante a 1/2 dell'apertura "minima")	
		L7	Parziale 3 (apertura delle due ante a 3/4 dell'apertura "minima")	
		L8	Parziale 4 (apertura delle due ante pari all'apertura "minima")	

L7	Avviso di manutenzione	L1	500	Regola il numero di manovre: quando viene superato questo numero, la centrale segnala la richiesta di manutenzione dell'automazione; vedere paragrafo 6.3.2. – Avviso di manutenzione.
		L2	1000	
		L3	1500	
		L4	2500	
		L5	5000	
		L6	10000	
		L7	15000	
		L8	20000	
L8	Elenco anomalie	L1	Esito 1ª manovra (la più recente)	Permette di verificare il tipo di anomalia avvenuta durante l'esecuzione delle ultime 8 manovre. Vedere TABELLA 10 - Elenco storico delle anomalie
		L2	Esito 2ª manovra	
		L3	Esito 3ª manovra	
		L4	Esito 4ª manovra	
		L5	Esito 5ª manovra	
		L6	Esito 6ª manovra	
		L7	Esito 7ª manovra	
		L8	Esito 8ª manovra	

Nota – Il colore grigio evidenzia i valori impostati in fabbrica.

TABELLA 6 - Procedura di programmazione secondo livello

01. Premere e tenere premuto il tasto "Set" per circa 3 secondi;	
02. Rilasciare il tasto quando il led "L1" inizia a lampeggiare;	
03. Premere il tasto "◀" o "▶" per spostare il led lampeggiante sul led che rappresenta "led di entrata" del parametro da modificare;	
04. Premere e mantenere premuto il tasto "Set" fino alla conclusione del punto 06;	
05. Attendere circa 3 secondi, fino a quando si accende il led che rappresenta il livello attuale del parametro da modificare;	
06. Premere il tasto "◀" o "▶" per spostare il led che rappresenta il valore del parametro;	
07. Rilasciare il tasto "Set";	
08. Attendere 10 secondi (tempo massimo) per uscire dalla programmazione.	

Nota – Per programmare più parametri, durante l'esecuzione della procedura, occorre ripetere le operazioni dal punto 03 al punto 07 durante la fase stessa.

6.3 - Funzioni speciali

6.3.1 - Funzione: "Muovi comunque"

Questa funzione, permette di far funzionare l'automazione anche quando qualche dispositivo di sicurezza non funziona correttamente oppure è fuori uso. È possibile comandare l'automazione in modalità "uomo presente", procedendo nel modo seguente:

01. Inviare un comando per azionare il cancello, con un trasmettitore oppure con un selettore a chiave, ecc. Se tutto funziona correttamente il cancello si muoverà regolarmente, altrimenti procedere come di seguito;
02. entro 3 secondi, azionare nuovamente il comando e mantenerlo azionato;
03. dopo 2 secondi circa, il cancello effettuerà la manovra richiesta in modalità a "uomo presente"; cioè, il cancello continuerà a muoversi solo fino a quando verrà mantenuto azionato il comando.

Quando i dispositivi di sicurezza non funzionano, il segnalatore lampeggiante emette alcuni lampeggi per segnalare il tipo di problema (vedere capitolo 6 - Tabella 8).

6.3.2 - Funzione: "Avviso manutenzione"

Questa funzione, serve per segnalare quando è necessario eseguire la manutenzione all'automazione. La segnalazione di avviso manutenzione, avviene tramite una lampada collegata all'Uscita S.C.A. quando questa uscita è programmata come "Spia manutenzione". Le diverse segnalazioni della lampada spia sono riportate in **Tabella 7**.

Tabella 7 - Segnalazione "Spia manutenzione"

Numero di manovre	Segnalazione
Inferiore all'80% del limite	Spia accesa per 2 secondi, all'inizio della manovra di apertura.
Tra l'81% e il 100% del limite	Spia che lampeggia per tutta la durata della manovra.
Oltre il 100% del limite	Spia che lampeggia di continuo.

Per programmare il valore limite delle manovre di manutenzione, vedere **Tabella 5**.

6.4 - Cancellazione della memoria

Per cancellare la memoria della centrale e ripristinare tutte le impostazioni di fabbrica, procedere nel modo seguente:

premere e tenere premuto i tasti "◀" e "▶" fino a quando i led L1 e L2 iniziano a lampeggiare.

7 COSA FARE SE... (guida alla risoluzione dei problemi)

Alcuni dispositivi sono predisposti per emettere delle segnalazioni con il quale è possibile riconoscere lo stato di funzionamento oppure di eventuali anomalie. Se all'uscita FLASH presente sulla centrale viene collegato un lampeggiante, questo durante l'esecuzione di una manovra, emette un lampeggio con cadenza di 1 secondo. Se si verificano delle anomalie, il lampeggiante emette dei lampeggi più brevi; questi vengono ripetuti due volte divisi da una pausa di 1 secondo. Nella **Tabella 8** sono descritte la causa e la soluzione per ogni tipo di segnalazione.

Anche i Led presenti sulla centrale emettono delle segnalazioni; nella **Tabella 9** sono descritte la causa e la soluzione per ogni tipo di segnalazione.

È possibile controllare le eventuali anomalie verificatesi durante l'esecuzione delle ultime 8 manovre; fare riferimento alla **Tabella 10**.

TABELLA 8 - Segnalazioni del segnalatore lampeggiante (FLASH)

Lampeggi	Problema	Risoluzione
1 lampeggio breve pausa di 1 secondo 1 lampeggio breve	Errore sul sistema Bluebus	La verifica dei dispositivi collegati al sistema Bluebus, che viene eseguita all'inizio della manovra, non corrisponde ai dispositivi memorizzati durante la fase di apprendimento. È possibile che ci siano dispositivi scollegati o guasti, quindi occorre verificare e sostituire. Se sono state fatte delle modifiche occorre rifare l'apprendimento dei dispositivi (vedere paragrafo 4.6).
2 lampeggi brevi pausa di 1 secondo 2 lampeggi brevi	Intervento di una fotocellula	Una o più fotocellule non danno il consenso al movimento oppure durante la corsa hanno provocato una inversione del movimento; verificare se sono presenti ostacoli.
3 lampeggi brevi pausa di 1 secondo 3 lampeggi brevi	Intervento della funzione "Rilevamento Ostacoli" da limitatore di forza	Durante il movimento i motori hanno incontrato un maggiore sforzo; verificare la causa ed eventualmente aumentare il livello di forza dei motori
4 lampeggi brevi pausa di 1 secondo 4 lampeggi brevi	Intervento dell'ingresso di STOP	All'inizio della manovra o durante il movimento c'è stato un intervento dei dispositivi collegati all'ingresso STOP; verificare la causa.
5 lampeggi brevi pausa di 1 secondo 5 lampeggi brevi	Errore nei parametri interni della centrale di comando	Attendere almeno 30 secondi e poi riprovare a dare un comando ed eventualmente spegnere anche l'alimentazione; se lo stato rimane, potrebbe esserci un guasto grave ed occorre sostituire la scheda elettronica.
6 lampeggi brevi pausa di 1 secondo 6 lampeggi brevi	Superato il limite massimo di manovre consecutive o di manovre per ora.	Attendere alcuni minuti in modo da far ritornare il limitatore di manovre sotto il limite massimo.
7 lampeggi brevi pausa di 1 secondo 7 lampeggi brevi	Anomalia sui circuiti elettrici	Attendere almeno 30 secondi e riprovare a inviare un comando ed eventualmente spegnere anche l'alimentazione; se lo stato rimane potrebbe esserci un guasto grave ed occorre sostituire la scheda elettronica.
8 lampeggi brevi pausa di 1 secondo 8 lampeggi brevi	È già presente un comando che non consente di eseguire altri comandi	Verificare la natura del comando sempre presente; ad esempio potrebbe essere il comando da un orologio sull'ingresso di "apre".
9 lampeggi brevi pausa di 1 secondo 9 lampeggi brevi	L'automazione è stata bloccata da un comando "Blocca l'automazione".	Sbloccare l'automazione inviando il comando "Sblocca automazione".
10 lampeggi brevi pausa di 1 secondo 10 lampeggi brevi	Intervento della funzione "Rilevamento Ostacoli" da encoder	Durante il movimento i motori sono stati bloccati da un maggiore attrito; verificare la causa.

TABELLA 9 - Segnalazioni dei Led presenti sulla centrale di comando (fig. 16)

Led	Problema	Risoluzione
BLUEBUS		
Sempre spento	Anomalia	Verificare se la centrale è alimentata; verificare che i fusibili non siano intervenuti. In questo caso verificare la causa del guasto e sostituirli con altri dello stesso valore
Sempre acceso	Anomalia grave	È presente un problema grave: provare a togliere l'alimentazione elettrica alla centrale e se lo stato permane, occorre sostituire la scheda elettronica
1 lampeggio al sec.	Tutto regolare	Funzionamento regolare della centrale
2 lampeggi veloci	Variazione dello stato degli ingressi	È regolare se avviene una variazione in uno degli ingressi (PP, STOP, OPEN, CLOSE): intervento delle fotocellule oppure viene trasmesso un comando con un trasmettitore
Serie di lampeggi divisi da una pausa di 1 sec.	Varie	Fare riferimento alla Tabella 8
STOP		
Sempre spento	Intervento dei dispositivi collegati all'ingresso STOP	Verificare i dispositivi dell'ingresso STOP
Sempre acceso	Tutto regolare	Ingresso STOP attivo
P.P.		
Sempre spento	Tutto regolare	Ingresso P.P. non attivo
Sempre acceso	Intervento dell'ingresso P.P.	È regolare se è attivo il dispositivo collegato all'ingresso P.P.
OPEN		
Sempre spento	Tutto regolare	Ingresso OPEN non attivo.
Sempre acceso	Intervento dell'ingresso OPEN	È regolare se è attivo il dispositivo collegato all'ingresso OPEN
CLOSE		
Sempre spento	Tutto regolare	Ingresso CLOSE non attivo.
Sempre acceso	Intervento dell'ingresso CLOSE	È regolare se è attivo il dispositivo collegato all'ingresso CLOSE
L1 - L2 Lampeggio lento	Variazione del numero di dispositivi collegati al Bluebus oppure apprendimento dispositivo non eseguito	È necessario eseguire l'apprendimento dei dispositivi (vedere paragrafo 4.6)
L3 - L4 Lampeggio lento	Non è mai stato eseguito l'apprendimento delle posizioni degli arresti meccanici	È necessario eseguire l'apprendimento (vedere paragrafo 4.7).

TABELLA 10 - Elenco storico delle anomalie

01. Premere e tenere premuto il tasto "Set" per circa 3 secondi;	
02. Rilasciare il tasto quando il led "L1" inizia a lampeggiare;	
03. Premere il tasto "◀" o "▶" per spostarsi dal led che sta lampeggiando sul led L8 ("led di entrata") per il parametro "Elenco anomalie";	
04. Premere e mantenere premuto il tasto "Set" fino alla conclusione del punto 06;	
05. Attendere circa 3 secondi, fino a quando si accendono i led che rappresentano i livelli corrispondenti alle manovre che hanno presentato delle anomalie. Il led L1 indica il risultato della manovra più recente mentre, il led L8 indica l'ottava manovra. Se il led è acceso significa che si sono verificate delle anomalie, invece se il led è spento è tutto regolare;	
06. Premere i tasti "◀" e "▶" per selezionare la manovra desiderata: il led corrispondente esegue un numero di lampeggi pari a quelli normalmente eseguiti dal lampeggiante;	
07. Rilasciare il tasto "Set".	

8 APPROFONDIMENTI

Per HYKE, sono previsti i seguenti accessori (opzionali): ricevitori della famiglia SMXI, OXI, il programmatore Oview, il pannello ad energia solare Solemyo e la batteria tampone mod. PS124.

8.1 - Collegamento di un ricevitore radio

La centrale di comando presenta un connettore per il collegamento dei ricevitori radio (accessorio opzionale) appartenenti alla famiglia SMXI, OXI. Per collegare un ricevitore, occorre togliere l'alimentazione elettrica alla centrale e procedere come mostrato in **fig. 17**. Nella **Tabella 11** e **Tabella 12** sono riportati i comandi che corrispondono alle uscite presenti sulla centrale.

Uscita N°1	Comando "P.P." (Passo-Passo)
Uscita N°2	Comando "apertura parziale 1"
Uscita N°3	Comando "Apri"
Uscita N°4	Comando "Chiudi"

N°	Comando	Descrizione
1	Passo-Passo	Comando "P.P." (Passo-Passo)
2	Apertura parziale 1	Comando "Apertura parziale 1"
3	Apri	Comando "Apri"
4	Chiudi	Comando "Chiudi"
5	Stop	Arresta la manovra
6	Passo-Passo Condominiale	Comando in modalità Condominiale
7	Passo-Passo alta priorità	Comanda anche con automazione bloccata o comandi attivi
8	Apri parziale 2	Apri parziale (apertura dell'anta M2, pari a 1/2 dell'apertura totale)
9	Apri parziale 3	Apri parziale (apertura delle due ante, pari a 1/2 dell'apertura totale)
10	Apri e Blocca automazione	Provoca una manovra di apertura e al termine di questa il blocco dell'automazione; la centrale non accetta nessun altro comando ad eccezione di "Passo passo alta priorità", "Sblocca" automazione oppure (solo da Oview) i comandi: "Sblocca e chiude" e "Sblocca e apre"
11	Chiudi e Blocca automazione	Provoca una manovra di chiusura e al termine di questa il blocco dell'automazione; la centrale non accetta nessun altro comando ad eccezione di "Passo passo alta priorità", "Sblocca" automazione oppure (solo da Oview) i comandi: "Sblocca e chiude" e "Sblocca e apre"
12	Blocca automazione	Provoca una fermata della manovra ed il blocco dell'automazione; la centrale non accetta nessun altro comando ad eccezione di "Passo passo alta priorità", "Sblocca" automazione oppure (solo da Oview) i comandi: "Sblocca e chiude" e "Sblocca e apre"

13	Sblocca automazione	Provoca lo sblocco dell'automazione ed il ripristino del normale funzionamento
14	On Timer Luce di Cortesia	Si accende l'uscita Luce di cortesia con spegnimento temporizzato
15	On-Off Luce di Cortesia	Si accende e spegne l'uscita Luce di cortesia in modalità passo-passo

8.2 - Collegamento e installazione della batteria tampone mod. PS124

ATTENZIONE! - Il collegamento elettrico della batteria alla centrale deve essere eseguito soltanto dopo aver concluso tutte le fasi di installazione e programmazione, in quanto la batteria rappresenta un'alimentazione elettrica di emergenza.

Per installare e collegare la batteria, seguire le fasi di montaggio mostrate nella **fig. 18**.

8.3 - Collegamento del programmatore Oview

Sulla centrale è presente il connettore BusT4 al quale è possibile collegare l'unità di programmazione Oview, che consente una completa e rapida gestione della fase d'installazione, di manutenzione e di diagnosi dell'intera automazione. Per accedere al connettore è necessario procedere come mostrato in **fig. 19** e collegare il connettore nell'apposita sede. L'Oview può essere collegato a più Centrali simultaneamente (fino a 5 senza particolari precauzioni, fino a 60 seguendo le apposite avvertenze) e, può restare collegato alla centrale anche durante il normale funzionamento dell'automazione. In questo caso, può essere utilizzato per inviare direttamente i comandi alla centrale utilizzando lo specifico menù "utilizzatore". È anche possibile eseguire l'aggiornamento del Firmware. Se nella centrale è presente un ricevitore radio appartenente alla famiglia OXI, utilizzando l'Oview è possibile avere accesso ai parametri dei trasmettitori memorizzati nel ricevitore stesso.

Per tutti gli approfondimenti consultare il rispettivo manuale istruzioni ed il manuale del sistema "Opera system book".

8.4 - Collegamento del sistema ad energia solare Solemyo

ATTENZIONE! - Quando l'automazione è alimentata dal sistema "Solemyo", NON DEVE ESSERE ALIMENTATA contemporaneamente anche dalla rete elettrica.

Per altre informazioni sul sistema Solemyo fare riferimento al suo manuale istruzioni.

Per eseguire il collegamento del sistema Solemyo, procedere come mostrato in **fig. 20**.

8.5 - Collegamento del sistema di sblocco esterno Kio

ATTENZIONE! - Kio deve essere collegato al motoriduttore che muove l'anta che parte per prima (partendo in posizione di cancello chiuso).

01. Aprire il coperchio del motoriduttore (**fig. 21-1**);
02. Togliere il carter plastico del motoriduttore come mostrato in **fig. 21-2**;
03. Inserire nell'apposito foro la vite con il dado come mostrato in **fig. 21-3**;
04. Agganciare i due estremi della molla come mostrato in **fig. 22-4**;
05. Inserire il cavo di acciaio prima nella vite e poi nel foro del perno come mostrato in **fig. 21-5**;
06. Bloccare il cavo avvitando la vite apposita (**fig. 21-5**);
07. Far passare l'altra estremità del cavo attraverso uno dei fori presenti sulla parte inferiore del motoriduttore come mostrato in **fig. 21-6**;
08. Riposizionare il carter plastico e poi il coperchio del motoriduttore (**fig. 21-7**);
09. A questo punto, collegare il cavo a Kio facendo riferimento al rispettivo manuale istruzioni.

9 MANUTENZIONE DEL PRODOTTO

Per mantenere costante il livello di sicurezza e per garantire la massima durata dell'intera automazione è necessaria una manutenzione regolare.

La manutenzione deve essere effettuata nel pieno rispetto delle prescrizioni sulla sicurezza del presente manuale e secondo quanto previsto dalle leggi e normative vigenti.

Sottoporre di frequente ad esame il prodotto, per verificare se ci sono sbilanciamenti delle ante o segni di usura o danni ai cavi. Non utilizzare il prodotto nel caso in cui siano necessarie delle riparazioni o delle regolazioni.

Importante – Durante le fasi di manutenzione oppure di pulizia del prodotto, scollegare la centrale dall'alimentazione elettrica e dalle batterie se previste.

Per gli altri dispositivi presenti nell'impianto, seguire quanto previsto nei rispettivi piani manutenzione.

Per i motoriduttori HK7024, HK7224, HK7024HS, HK7224HS è necessaria una manutenzione programmata al massimo entro 6 mesi o 20.000 manovre dalla precedente manutenzione.

Per eseguire la manutenzione procedere nel modo seguente:

01. Scollegare qualsiasi sorgente di alimentazione elettrica, comprese le eventuali batterie tampone;
02. Verificare lo stato di deterioramento di staffe e tasselli di fissaggio con particolare attenzione a fenomeni di erosione o di ossidazione delle parti; sostituire le parti che non forniscono sufficienti garanzie;
03. Effettuare una prova di sblocco per verificarne il corretto funzionamento vedi paragrafo 3.6.
04. Ricollegare le sorgenti di alimentazione elettrica ed eseguire tutte le prove e le verifiche previste nel capitolo 5 - Collaudo.

SMALTIMENTO DEL PRODOTTO

Questo prodotto è parte integrante dell'automazione, e dunque, deve essere smaltito insieme con essa.

Come per le operazioni d'installazione, anche al termine della vita di questo prodotto, le operazioni di smantellamento devono essere eseguite da personale qualificato.

Questo prodotto è costituito da vari tipi di materiali: alcuni possono essere riciclati, altri devono essere smaltiti. Informatevi sui sistemi di riciclaggio o smaltimento previsti dai regolamenti vigenti sul vostro territorio, per questa categoria di prodotto.

Attenzione! – Alcune parti del prodotto possono contenere sostanze inquinanti o pericolose che, se disperse nell'ambiente, potrebbero provocare effetti dannosi sull'ambiente stesso e sulla salute umana.

Come indicato dal simbolo a lato, è vietato gettare questo prodotto nei rifiuti domestici. Eseguire quindi la "raccolta separata" per lo smaltimento, secondo i metodi previsti dai regolamenti vigenti sul vostro territorio, oppure riconsegnare il prodotto al venditore nel momento dell'acquisto di un nuovo prodotto equivalente.



Attenzione! – i regolamenti vigenti a livello locale possono prevedere pesanti sanzioni in caso di smaltimento abusivo di questo prodotto.

Smaltimento della batteria tampone (se presente)

Attenzione! – La batteria scarica contiene sostanze inquinanti e quindi, non deve essere buttata nei rifiuti comuni.

Occorre smaltirla utilizzando i metodi di raccolta 'separata', previsti dalle normative vigenti nel vostro territorio.

Durabilità del prodotto

La durabilità è la vita economica media del prodotto. Il valore della durabilità è fortemente influenzato dall'indice di gravosità delle manovre eseguite dall'automatismo: cioè la somma di tutti i fattori che contribuiscono all'usura del prodotto (vedere Tabella 13).

Per stabilire la durabilità probabile del vostro automatismo procedere nel modo seguente:

01. Calcolare l'indice di gravosità sommando tra loro i valori in percentuale delle voci presenti nella **Tabella 13**;
02. Nel **Grafico 3** dal valore appena trovato, tracciare una linea verticale fino ad incrociare la curva; da questo punto tracciare una linea orizzontale fino ad incrociare la linea dei "cicli di manovre". Il valore determinato è la **durabilità stimata** del vostro prodotto.

La stima di durabilità viene effettuata sulla base dei calcoli progettuali e dei risultati di prove effettuate su prototipi. Infatti, essendo una stima, non rappresenta alcuna garanzia sull'effettiva durata del prodotto.

Esempio del calcolo di durabilità di un motoriduttore HYKE con braccio con lunghezza INTERA (fare riferimento alla Tabella 13 e al Grafico 3):

- lunghezza dell'anta = 2,8 m (indice di gravosità: 20%); - peso dell'anta: 230 Kg (indice di gravosità: 20%); - anta cieca (indice di gravosità: 15%); **Indice di gravosità totale = 55%**; **Durabilità stimata = 220.000 cicli di manovre**

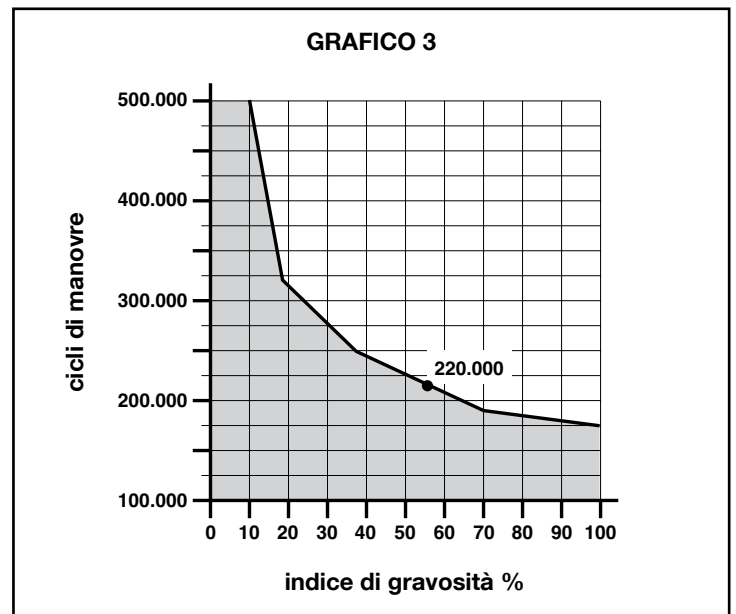


TABELLA 13

		Indice di gravosità	
		braccio lunghezza INTERA	braccio lunghezza RIDOTTA
Lunghezza dell'anta	< 1,8	0%	15%
	1,8 - 2,5 m	15%	20%
	2,5 - 3 m	20%	30%
	3 - 3,5 m	30%	-
Peso dell'anta	< 200 kg	0%	30%
	200 + 250 kg	20%	40%
	> 250 kg	30%	-
Temperatura ambientale superiore a 40°C o inferiore a 0°C o umidità superiore all'80%		20%	20%
Anta cieca		15%	20%
Installazione in zona ventosa		15%	20%

Nota - I dati si riferiscono ad un portone sezionale bilanciato ed in perfette condizioni di manutenzione

CARATTERISTICHE TECNICHE DEL PRODOTTO

AVVERTENZE: • Tutte le caratteristiche tecniche riportate, sono riferite ad una temperatura ambientale di 20°C (± 5°C). • Nice S.p.a. si riserva il diritto di apportare modifiche al prodotto in qualsiasi momento lo riterrà necessario, mantenendone comunque la stessa funzionalità e destinazione d'uso.

	HK7024K	HK7024KHS	HK7224K	HK7224KHS
Tipologia	Motoriduttore elettromeccanico per automatismi di cancelli e portoni automatici con motore in corrente continua, riduttore epicicloidale, sblocco meccanico. Centrale di comando incorporata e ricevitore radio OXI		Motoriduttore elettromeccanico per automatismi di cancelli e portoni automatici con motore in corrente continua, riduttore epicicloidale, sblocco meccanico.	
Coppia massima	500 Nm			
Coppia nominale	120 Nm			
Velocità a vuoto	1.5 RPM	2 RPM	1.5 RPM	2 RPM
Frequenza massima dei cicli	40 cicli/ora			
Tempo massimo ciclo continuo	7 minuti circa			
Limiti d'impiego	il prodotto può essere utilizzato su cancelli con anta di peso fino a 330 kg o per lunghezze fino a 3.5 m	il prodotto può essere utilizzato su cancelli con anta di peso fino a 270 kg o per lunghezze fino a 3 m	il prodotto può essere utilizzato su cancelli con anta di peso fino a 330 kg o per lunghezze fino a 3.5 m	il prodotto può essere utilizzato su cancelli con anta di peso fino a 270 kg o per lunghezze fino a 3 m
Durabilità	stimata tra 150.000 cicli e 500.000 cicli, secondo le condizioni riportate nella Tabella 13 e Grafico 3			
Alimentazione	230 Vac ±10%; 50/60 Hz		24 Vdc (±10%)	
Alimentazione d'emergenza	predisposizione per batterie tampone PS124			
Alimentazione a pannelli solari	predisposizione per Kit SYKCE			
Potenza massima assorbita	300 W		140 W	
Corrente massima assorbita	1,5 A (3 A per versione HK7024K/V1)		6 A per un tempo massimo di 2 s	
Potenza assorbita in "Standby-Tutto" con alimentazione da PS124 o kit SYKCE (compreso il ricevitore OXI)	inferiore a 100 mW			
Uscita lampeggiante [*]	un lampeggiante LUCYB (lampada 12 V, 21 W)			
Uscita elettroserratura [*]	un'elettroserratura da 12 Vac max 15 VA			
Uscita spia cancello aperto [*]	una lampada 24 V massimo 4 W (la tensione d'uscita può variare tra -30 e +50%, l'uscita può comandare anche piccoli relè)			
Uscita BLUEBUS	un'uscita con carico massimo di 15 unità Bluebus (massimo 6 coppie di fotocellule MOFB o MOFOB più 2 coppie di fotocellule MOFB o MOFOB indirizzate come dispositivi di apertura più massimo 4 dispositivi di comando MOMB o MOTB)			
Ingresso STOP	per contatti normalmente chiusi, normalmente aperti oppure a resistenza costante 8,2 kΩ; la selezione del tipo di contatto avviene in auto-apprendimento ed una variazione rispetto allo stato memorizzato provoca il comando "STOP"			
Ingresso PP	per contatti normalmente aperti (la chiusura del contatto provoca il comando Passo Passo)			
Innesto radio	connettore SM per ricevitori della famiglia SMXI, OXI e OXIFM			
Ingresso ANTENNA Radio	50 Ω per cavo tipo RG58 o simili			
Funzioni programmabili	8 funzioni di tipo ON-OFF (Tabella 3) e 8 funzioni regolabili (Tabella 5)			
Funzioni in auto apprendimento	<ul style="list-style-type: none"> • Auto apprendimento dei dispositivi collegati all'uscita Blue-Bus. • Auto apprendimento del tipo di dispositivo collegato al morsetto "STOP" (contatto NA, NC o resistenza 8,2 kΩ). • Auto apprendimento della corsa delle ante e calcolo in automatico dei punti di rallentamento ed apertura parziale. • Auto apprendimento del funzionamento con uno o due motori 			
Montaggio	In verticale, con una piastra di fissaggio dedicata			
Temperatura di funzionamento	da -20°C a +50°C (alle basse temperature l'efficienza del motoriduttore diminuisce)			
Utilizzo in atmosfera particolarmente acida o salina o potenzialmente esplosiva	NO			
Grado di protezione	IP 54 (con contenitore integro)			
Dimensioni (mm)	210 x 290 x 320 h			
Peso (kg)	10.5		9.5	
[*]	Le uscite Lampeggiante, Elettroserratura Spia Cannello Aperto possono essere programmate con altre funzioni (vedere "TABELLA 3 - Funzioni 1° livello"; oppure tramite programmatore Oview, vedere capitolo 8.3). Le caratteristiche elettriche delle uscite si adeguano in base al tipo di funzione scelta: • funzione lampeggiante: lampada 12 Vdc, 21 W max; • funzione elettroserratura: 12 Vac 15 VA max; • altre uscite (tutti i tipi): 1 lampada o relè 24Vdc (-30 e +50%), 4 W max.			

DICHIARAZIONE CE DI CONFORMITÀ e dichiarazione di incorporazione di “quasi macchina”

Dichiarazione in accordo alle Direttive: 2006/95/CE (LVD); 2004/108/CE (EMC); 2006/42/CE (MD) allegato II, parte B

Nota - Il contenuto di questa dichiarazione corrisponde a quanto dichiarato nell'ultima revisione disponibile, prima della stampa di questo manuale, del documento ufficiale depositato presso la sede di Nice Spa. Il presente testo è stato riadattato per motivi editoriali. Copia della dichiarazione originale può essere richiesta a Nice S.p.a. (TV) I.

Numero dichiarazione: 334/HYKE

Revisione: 4

Lingua: IT

Nome produttore: NICE s.p.a.
Indirizzo: Via Pezza Alta 13, Z.I. Rustignè, 31046 Oderzo (TV) Italia
Persona autorizzata a costituire la documentazione tecnica: NICE s.p.a.
Tipo di prodotto: Motoriduttore elettromeccanico “HYKE” con centrale incorporata
Modello / Tipo: HK7024, HK7224, HK7024HS, HK7224HS
Accessori: SMXI, OXI, PS124, Oview

Il sottoscritto Mauro Sordini in qualità di Amministratore Delegato, dichiara sotto la propria responsabilità che il prodotto sopra indicato risulta conforme alle disposizioni imposte dalle seguenti direttive:

- DIRETTIVA 2004/108/CE DEL PARLAMENTO EUROPEO E DEL CONSIGLIO del 15 dicembre 2004 concernente il ravvicinamento delle legislazioni degli Stati membri relative alla compatibilità elettromagnetica e che abroga la direttiva 89/336/CEE, secondo le seguenti norme armonizzate: EN 61000-6-2:2005, EN 61000-6-3:2007+A1:2011

Inoltre il prodotto risulta essere conforme alla seguente direttiva secondo i requisiti previsti per le “quasi macchine”:

- Direttiva 2006/42/CE DEL PARLAMENTO EUROPEO E DEL CONSIGLIO del 17 maggio 2006 relativa alle macchine e che modifica la direttiva 95/16/CE (rifusione).
 - Si dichiara che la documentazione tecnica pertinente è stata compilata in conformità all'allegato VII B della direttiva 2006/42/CE e che sono stati rispettati i seguenti requisiti essenziali: 1.1- 1.1.2- 1.1.3- 1.2.1-1.2.6- 1.5.1-1.5.2- 1.5.5- 1.5.6- 1.5.7- 1.5.8- 1.5.10- 1.5.11
 - Il produttore si impegna a trasmettere alle autorità nazionali, in risposta ad una motivata richiesta, le informazioni pertinenti sulla “quasi macchina”, mantenendo impregiudicati i propri diritti di proprietà intellettuale.
 - Qualora la “quasi macchina” sia messa in servizio in un paese europeo con lingua ufficiale diversa da quella usata nella presente dichiarazione, l'importatore ha l'obbligo di associare alla presente dichiarazione la relativa traduzione.
 - Si avverte che la “quasi macchina” non dovrà essere messa in servizio finché la macchina finale in cui sarà incorporata non sarà a sua volta dichiarata conforme, se del caso, alle disposizioni della direttiva 2006/42/CE.

Inoltre il prodotto risulta conforme alle seguenti norme:

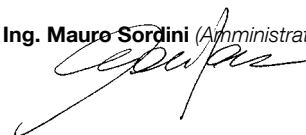
EN 60335-1:2002 + A1:2004 + A11:2004 + A12:2006 + A2:2006 + A13:2008 + A14:2010 + A15:2011
EN 60335-2-103:2003+A11:2009

Il prodotto risulta conforme, limitatamente alle parti applicabili, alle seguenti norme:

EN 13241-1:2003+A1:2011, EN 12445:2002, EN 12453:2002, EN 12978:2003+A1:2009

Oderzo, 5 novembre 2014

Ing. Mauro Sordini (Amministratore Delegato)



Sommaire

Images

1 - RECOMMANDATIONS ET PRÉCAUTIONS GÉNÉRALES	1
1.1 - Consignes de sécurité	1
1.2 - Recommandations pour l'installation	1
1.3 - Recommandations pour l'utilisation	1
2 - DESCRIPTION DU PRODUIT ET TYPE D'UTILISATION	1
3 - INSTALLATION	2
3.1 - Contrôles avant l'installation	2
3.2 - Limites d'application	2
3.3 - Travaux de préparation à l'installation	2
3.4 - Installation de l'opérateur mod. HK7024 - HK7224 - HK7024HS - HK7224HS	2
3.5 - Réglage des fins de course mécaniques	4
3.6 - Bloquer et débrayer manuellement l'opérateur	4
4 - CONNEXIONS ÉLECTRIQUES	4
4.1 - Connexion de l'opérateur avec logique de commande mod. HK7024 - HK7024HS	4
4.2 - Connexion de l'opérateur sans logique de commande mod. HK7224 - HK7224HS	5
4.3 - Connexion d'autres dispositifs	5
4.4 - Adressage des dispositifs connectés	5
4.5 - Première mise en service et vérification des connexions	5
4.6 - Reconnaissance des dispositifs connectés	5
4.7 - Reconnaissance des positions des fins de course mécaniques	5
4.8 - Vérification du mouvement des vantaux du portail	6
5 - ESSAI ET MISE EN SERVICE	6
5.1 - Essai	6
5.2 - Mise en service	7
6 - PROGRAMMATION DE LA LOGIQUE DE COMMANDE	7
6.1 - Programmation du premier niveau (ON-OFF)	7
6.2 - Programmation deuxième niveau (paramètres réglables)	8
6.3 - Fonctions spéciales	9
6.4 - Effacement de la mémoire	9
7 - QUE FAIRE SI... (guide pour la résolution des problèmes)	9
8 - APPROFONDISSEMENTS	11
8.1 - Connexion d'un récepteur radio	11
8.2 - Connexion et installation de la batterie tampon mod. PS124	11
8.3 - Connexion du programmeur Oview	11
8.4 - Connexion du système à énergie solaire Solemyo	11
8.5 - Connexion du système de débrayage extérieur Kio	11
9 - MAINTENANCE DU PRODUIT	12
MISE AU REBUT DU PRODUIT	12
Durabilité du produit	12
CARACTÉRISTIQUES TECHNIQUES DU PRODUIT	13
DÉCLARATION CE DE CONFORMITÉ	14
APPENDICE	1
Instructions et recommandations destinées à l'utilisateur	IV

1.1 - Recommandations pour la sécurité

- **ATTENTION ! – Le présent manuel contient d'importantes instructions et recommandations en matière de sécurité.** Une mauvaise installation peut causer de graves blessures. Avant de commencer le travail, lire attentivement toutes les parties du manuel. En cas de doutes, interrompre l'installation et demander des précisions au service après-vente Nice.
- **ATTENTION ! – Instructions importantes : conserver ce manuel pour toute intervention de maintenance et de mise en rebut du produit.**
- **ATTENTION ! – Conformément à la plus récente législation européenne, la réalisation d'un vantail ou d'un portail automatique doit respecter les normes prévues par la Directive 2006/42/CE (ex 98/37/CE) (Directive Machines) et en particulier, les normes EN 12445; EN 12453; EN 12635 et EN 13241-1 qui permettent de déclarer la conformité de l'automatisation. Pour cette raison, toutes les opérations d'installation, de branchement, d'essai et de maintenance du produit doivent être confiées exclusivement à un technicien qualifié et compétent !**

1.2 - Recommandations pour l'installation

- Avant de commencer l'installation, contrôler si le présent produit est adapté au type d'utilisation souhaitée (voir les "Limites d'emploi" paragraphe 3.2 et les "Caractéristiques techniques du produit"). En cas contraire, NE PAS procéder à l'installation.
- Le contenu du présent manuel se réfère à une installation type, comme celle décrite **fig. 3**.
- **Toutes les opérations d'installation et de maintenance doivent être effectuées avec l'automatisation débranchée.** Si le dispositif de déconnexion de l'alimentation n'est pas visible du lieu où est positionné l'automatisme, avant de commencer le travail accrocher sur le dispositif de déconnexion un panneau avec écrit "ATTENTION ! MAINTENANCE EN COURS".
- La centrale doit être branchée à une ligne d'alimentation électrique équipée de mise à la terre de sécurité.
- Durant l'installation manipuler avec soin le produit afin d'éviter tout écrasement, choc, chute ou contact avec des liquides de toute nature. Ne pas mettre le produit près de sources de chaleur, ni l'exposer à des flammes libres. Toutes ces actions peuvent l'endommager et créer des dysfonctionnements ou des situations de danger. Au cas où, interrompre immédiatement l'installation et s'adresser au service après-vente Nice.
- Aucune modification du produit ne peut être effectuée. Opérations non admises car celles-ci entraîneraient des dysfonctionnements. Le fabricant décline toute responsabilité pour dommages dérivant de modifications arbitraires du produit.
- Si le portail à automatiser est équipé d'un vantail pour piétons, préparer l'installation avec un système de contrôle qui désactive le fonctionnement du moteur lorsque le vantail pour piétons est ouvert.
- Le matériau de l'emballage du produit doit être éliminé conformément aux normes locales.

1.3 - Recommandations pour l'utilisation

- Le produit n'est pas destiné à être utilisé par des personnes (enfants compris) dont les capacités physiques, sensorielles ou mentales sont réduites ou manquant d'expérience ou de connaissance, à moins que celles-ci n'aient pu bénéficier, à travers l'intermédiation d'une personne responsable de leur sécurité, d'une surveillance ou d'instructions concernant l'utilisation du produit.
- Les enfants se trouvant à proximité de l'automatisation doivent être surveillés ; contrôler qu'ils ne jouent pas avec cette dernière.
- Ne pas laisser les enfants jouer avec les dispositifs de commande fixes. Garder les dispositifs de commande portables (à distance) hors de la portée des enfants.

Les dispositifs qui composent le présent produit sont destinés à l'automatisation d'un portail à un ou deux vantaux. **ATTENTION ! – Toute autre utilisation différente de celle décrite et dans des conditions environnementales différentes de celles reportées dans ce manuel doit être considérée comme impropre et interdite !**

La partie principale de l'automatisme est composée d'un ou de deux opérateurs électromécaniques (suivant le nombre de vantaux à automatiser), équipés chacun d'un moteur en courant continu et d'un réducteur épicycloïdal. Un des opérateurs (mod. HK7024 - HK7024HS) est équipé d'une centrale de commande qui en gère le fonctionnement. La centrale est formée d'une carte avec un récepteur radio incorporé, pour la réception des commandes envoyées par l'émetteur. La centrale est préparée pour être branchée à différents dispositifs appartenant au Système Opera, au système Bluebus et au système d'alimentation à énergie solaire Solemyo, voir chapitre 8 - Approfondissements.

Si alimentée depuis réseau, elle peut accueillir une batterie tampon (mod. PS124, accessoire en option) qui en cas de coupure électrique (black-out électrique) permet à l'automatisme d'effectuer, dans les heures qui suivent, quelques manœuvres.

En cas de coupure électrique, il est possible de déplacer les vantaux du portail en débloquant l'opérateur avec la clé prévue à cet effet ; pour effectuer la

manœuvre manuelle voir chapitre 3.6.

Les autres accessoires disponibles sont les récepteurs prévus avec élément "SM" (SMXI, OXI, etc.), voir chapitre 8 - Approfondissements.

3 INSTALLATION

3.1 - Contrôles à effectuer avant l'installation

Avant de procéder à l'installation, il est nécessaire de vérifier l'intégrité des composants du produit, l'adaptabilité du modèle choisi et la conformité de l'environnement destiné à l'installation :

- Contrôler que tout le matériel à utiliser soit intact et adapté à l'utilisation prévue.
- Contrôler que sur l'installation soient présents les arrêts mécaniques au sol (non fournis), aussi bien en fermeture qu'en ouverture.
- Contrôler que la structure mécanique du portail soit adaptée pour l'automatisation et conforme aux normes en vigueur sur le territoire (éventuellement se référer aux données reportées sur l'étiquette du portail). Le présent produit ne peut automatiser un portail que si celui-ci est efficace et sûr ; en outre, il ne peut pas résoudre les défauts causés par une installation erronée du portail ou par une mauvaise maintenance.
- Contrôler que les conditions de fonctionnement des dispositifs soient compatibles avec les limites d'emploi déclarées (voir paragraphe 3.2).
- Bouger manuellement les vantaux du portail dans les deux sens et s'assurer que le mouvement se produise avec un frottement constant sur chaque point de la course (il ne doit pas y avoir de moments demandant un effort excessif ou moindre).
- Amener manuellement les vantaux du portail dans une quelconque position ; puis les laisser à l'arrêt et s'assurer qu'ils ne bougent pas.
- Contrôler que la zone de fixation de l'opérateur soit compatible avec l'encombrement de ce dernier (fig. 1).
- S'assurer qu'il y ait l'espace suffisant pour la rotation complète du bras sur le lieu d'installation de l'opérateur.
- S'assurer qu'il y ait l'espace suffisant pour effectuer la manœuvre manuelle de déblocage de l'opérateur près de celui-ci.
- S'assurer que les surfaces choisies pour installer les différents dispositifs soient solides et puissent garantir une fixation stable.
- S'assurer que chaque dispositif à installer soit placé dans une position protégée et à l'abri de chocs accidentels.
- Contrôler que tous les câbles électriques à utiliser correspondent au type énuméré dans le **Tableau 1**.

3.2 - Limites d'application

Avant d'effectuer l'installation de l'opérateur, vérifier que ses données sont comprises dans les limites d'application indiquées ci-après et dans les limites des valeurs indiquées dans le chapitre « Caractéristiques techniques du produit » :

Avec le bras du moteur de longueur **TOTALE** :

- **largeur maximum du vantail** : 3,50 m (= **poids maximum du vantail** : 200 kg)

Avec le bras du moteur de longueur **RÉDUITE** :

- **largeur maximum du vantail** : 3,00 m (= **poids maximum du vantail** : 180 kg)

VERSIONE HS :

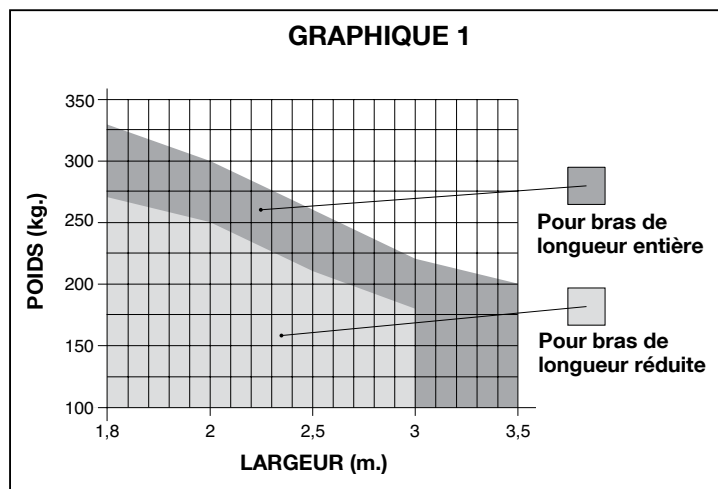
Avec bras de moteur à longueur **TOTALE** et **RÉDUITE** :

- **largeur maximum du vantail** : 3,00 m (= **poids maximum du vantail** : 180 kg)

- Vérification à effectuer : reporter sur le **Graphique 1** ci-contre le poids et la largeur du vantail ; tracer deux lignes à partir de ces points et vérifier que l'intersection se trouve dans l'une des deux **zones grises** du graphique. **Attention !**
- Si les lignes se croisent dans la zone blanche, il n'est pas possible d'utiliser ce produit pour automatiser le portail.
- Pour permettre l'installation de l'opérateur, la largeur minimum du pilier doit

être de 210 mm.

- La patte de fixation du bras doit se trouver dans une zone robuste du vantail (par exemple, le cadre), pour garantir une fixation solide et sûre ;
- Vérifier la **mesure « E »** (fig. 2) :
 - Si la **mesure « E »** est une valeur comprise entre 300 mm (minimum) et 650 mm (maximum), il faut régler le bras de l'opérateur avec longueur **RÉDUITE**. Dans ces conditions, la mesure d'ouverture maximum du vantail peut arriver jusqu'à 90°.
 - Si la **mesure « E »** est une valeur égale ou supérieure à 650 mm, il faut régler le bras de l'opérateur avec longueur **TOTALE**. Dans ces conditions, la mesure d'ouverture maximum du vantail peut arriver jusqu'à 110°.



3.3 - Travaux de préparation à l'installation

La **fig. 3** montre un exemple d'installation d'automatisation réalisée avec les composants **Nice** (certains composants peuvent ne pas être compris dans le kit) :

- a** - Opérateur avec logique de commande mod. HK7024 - HK7024HS
- b** - Opérateur sans logique de commande mod. HK7224 - HK7224HS
- c** - Indicateur clignotant
- d** - Paire de photocellules mod. MOFB
- e** - Clavier numérique (mod. MOTB) - Lecteur à transpondeur (mod. MOMB) - Sélecteur à clé (mod. MOSE)
- f** - Paire de colonnes pour photocellules
- g** - Butée mécanique en fermeture
- h** - Serrure électrique

Ces composants sont positionnés selon un schéma typique et commun. En se référant à la **fig. 3**, établir la position approximative dans laquelle chaque composant prévu dans l'installation sera installé. **Important** - Avant de procéder à l'installation, préparer les câbles électriques nécessaires en se référant à la **fig. 4** et au « **Tableau 1 - Caractéristiques techniques des câbles électriques** ».

Attention ! - Durant la pose des gaines pour le passage des câbles électriques, tenir compte du fait qu'à cause d'éventuels dépôts d'eau dans les puits de dérivation, les gaines de raccordement peuvent créer des phénomènes de condensation à l'intérieur de la logique qui risquent d'endommager les circuits électroniques.

3.4 - Installation de l'opérateur mod. HK7024 - HK7224 - HK7024HS - HK7224HS

AVERTISSEMENTS

- Une installation incorrecte peut causer de graves blessures aux personnes qui effectuent le travail et à celles qui utiliseront le produit.

TABLEAU 1 - Caractéristiques techniques des câbles électriques (fig. 4)

Connexion	Type de câble	Longueur maximum admise
A: Câble ALIMENTATION LOGIQUE	1 câble 3 x 1,5 mm ²	30 m (note 1)
B: Câble SERRURE ÉLECTRIQUE	1 câble 2 x 1 mm ²	6 m
C: Câble DISPOSITIFS BLUEBUS	1 câble 2 x 0,5 mm ²	20 m (note 2)
D: Câble SÉLECTEUR À CLÉ	2 câbles 2 x 0,5 mm ² (note 3)	50 m
E: Câble ALIMENTATION OPÉRATEUR Câble CONNEXION ENCODEUR	1 câble 3 x 1,5 mm ² (note 4) 1 câble 2 x 1 mm ² (note 4)	10 m 10 m
F: Câble CLIGNOTANT avec antenne	1 câble 2 x 0,5 mm ² 1 câble blindé type RG58	20 m 20 m (longueur conseillée : moins de 5m)

Note 1 - Si le câble d'alimentation fait plus de 30 m de long, il faut utiliser un câble d'une section supérieure (par exemple 3 x 2,5 mm²) et il faut réaliser une mise à la terre de sécurité à proximité de l'automatisme.

Note 2 - Si le câble Bluebus fait plus de 20 m de long, jusqu'à un maximum de 40 m, il faut utiliser un câble d'une section supérieure (2 x 1 mm²).

Note 3 - Ces deux câbles peuvent être remplacés par un unique câble 4 x 0,25 mm².

Note 4 - Ces deux câbles peuvent être remplacés par un unique câble 5 x 1,5 mm².

ATTENTION ! - Les câbles utilisés doivent être adaptés au type d'environnement où est effectuée l'installation.

- Avant de commencer l'assemblage de l'automatisme, faire les contrôles préliminaires décrits aux paragraphes 3.1 et 3.2.

Avant de commencer l'installation, il faut déterminer la longueur du bras de l'opérateur, voir paragraphe 3.4.1.

3.4.1 - Déterminer la longueur du bras de l'opérateur

01. Assembler les composants qui constituent le bras du moteur, comme indiqué fig.5 ;

02. Établir la position de l'opérateur dans le sens VERTICAL :

tracer sur le pilier une ligne horizontale à la même hauteur que celle où se trouvera la patte de fixation du bras sur le vantail, après l'installation (fig. 6).

03. Établir la position de l'opérateur dans le sens HORIZONTAL (position A) :

ATTENTION ! – si un obstacle fixe (mur, arbre, etc.) se trouve à proximité de la zone d'installation, il faut mesurer la distance E (fig. 2) et procéder comme suit :

- Si la distance E est une valeur égale ou supérieure à 650 mm, voir paragraphe 3.4.2
- Si la distance E est une valeur comprise entre 300 mm (minimum) et 650 mm (maximum), voir paragraphe 3.4.3.

3.4.2 - Installation de l'opérateur avec BRAS DE LONGUEUR TOTALE

01. a) Mesurer sur le pilier la distance B (fig. 7) = distance entre le pivot de rotation du vantail et la surface du pilier où sera fixée la patte arrière de l'opérateur.

b) Porter le vantail jusqu'à l'ouverture désirée (maximum 110°) : valeur de l'angle.

c) Marquer sur le Graphique 2 la distance B que l'on vient de trouver et tracer à partir de ce point une ligne horizontale, jusqu'à l'intersection avec la zone qui comprend la valeur de l'angle mesuré au point b.

d) Aux points d'intersection entre la ligne horizontale et la zone, tracer des lignes verticales déterminant les valeurs utilisables pour la distance A (fig. 8). Choisir ensuite parmi celle-ci une valeur de A.

e) Reporter sur le pilier la valeur trouvée de la distance A et tracer à son niveau une ligne verticale.

02. Fixer la patte sur le pilier (fig. 9) :

f) Phase 1-2 : appuyer la patte sur le pilier en faisant correspondre son centre vertical avec la ligne verticale tracée au préalable (distance A) et son bras avec la ligne horizontale tracée durant la procédure 3.4.1. Dans cette phase, contrôler que l'opérateur est parfaitement de niveau : un opérateur mal nivelé peut provoquer des problèmes de fonctionnement à l'automatisation.

g) Phase 3-4 : marquer les points de fixation, percer la surface du pilier et introduire les chevilles ; fixer ensuite la patte en utilisant des vis et des rondelles appropriées.

03. Fixer le bras de l'opérateur sur le vantail :

h) Porter le vantail du portail dans la position de fermeture maximum ;

i) Phase 5 : fixer l'opérateur à la patte avec les deux vis et les écrous fournis ;

l) Débrayer l'opérateur ; voir par. 3.6 ;

m) Phase 6 : pousser avec force le bras de l'opérateur jusqu'à son extension maximum. Attention ! - Contrôler que le bras se bloque dans son fin de course ;

n) approcher le bras du vantail, en appuyant sur ce dernier la patte de fixation.

o) Phase 7 : contrôler que le bras de l'opérateur est de niveau et marquer avec un crayon le centre du profil des fentes de la patte, pour permettre dans le futur un réglage précis de la fermeture du vantail (voir le paragraphe 4.8).

p) En tenant d'une main la patte en contact avec le vantail, essayer d'effectuer une ouverture et une fermeture complète.

q) Phase 8 : percer le vantail aux endroits marqués et détacher la patte du bras puis la fixer au vantail avec des vis adéquates.

r) Phase 9 : fixer le bras à la patte en insérant le pivot et la bague d'arrêt benzing. Important - Contrôler que la patte et le bras sont parfaitement de niveau. Desserrer éventuellement les vis de la patte et mettre de niveau.

s) positionner les butées mécaniques de fin de course ; voir par. 3.5 ;

e) Phase 10 : mettre enfin manuellement le vantail à environ mi-course et bloquer l'opérateur avec la clé prévue à cet effet (voir par. 3.6). Déplacer ensuite manuellement le vantail de quelques centimètres, dans le sens d'ouverture.

04. Si le portail à automatiser est à deux vantaux, pour installer l'autre opérateur répéter toutes les opérations décrites dans le par. 3.4.

3.4.3 - Installation de l'opérateur avec BRAS DE LONGUEUR RÉDUITE

Attention ! – Dans cette configuration, l'ouverture maximum admise pour le vantail est de 90°.

01. a) Mesurer sur le pilier la distance B (fig. 7) = distance entre le pivot de rotation du vantail et la surface du pilier où sera fixée la patte arrière de l'opérateur.

b) Marquer sur le Graphique 2 la distance B trouvée et tracer à partir de ce point une ligne horizontale jusqu'à l'intersection de la zone avec plage 90°-95°.

c) Aux points d'intersection entre la ligne horizontale et la zone, tracer des lignes verticales déterminant les valeurs utilisables pour la distance A (graphique 2). Choisir ensuite parmi celle-ci une valeur de A.

d) Reporter sur le pilier la valeur trouvée de la distance A et tracer à son niveau une ligne verticale.

02. Fixer la patte sur le pilier (fig. 10) :

e) Phase 1-2 : appuyer la patte sur le pilier en faisant correspondre son centre vertical avec la ligne verticale tracée au préalable (distance A) et son bras avec la ligne horizontale tracée durant la procédure 3.4.1. Dans cette phase, contrôler que l'opérateur est parfaitement de niveau : un opérateur mal nivelé peut provoquer des problèmes de fonctionnement à l'automatisation.

f) Phase 3-4 : marquer les points de fixation, percer la surface du pilier et introduire les chevilles ; fixer ensuite la patte en utilisant des vis et des rondelles appropriées.

g) Porter le vantail du portail dans la position de fermeture maximum ;

h) Phase 5 : fixer l'opérateur à la patte avec les deux vis et écrous fournis ;

i) Débrayer l'opérateur ; voir par. 3.6.

03. Vérifier la longueur du bras avec perforations par rapport au contexte :

l) Phase 6 : approcher le bras du vantail, en appuyant sur ce dernier la patte de fixation : attention ! - pousser manuellement le bras courbe contre le vantail jusqu'au blocage du bras (ouverture maximum).

m) Phase 7 : contrôler que le bras de l'opérateur est de niveau et marquer avec un crayon le centre du profil des fentes de la patte, pour permettre dans le futur un réglage précis de la fermeture du vantail (voir le paragraphe 4.8).

n) Fixer provisoirement la patte sur le vantail et porter le vantail dans la position d'ouverture maximum.

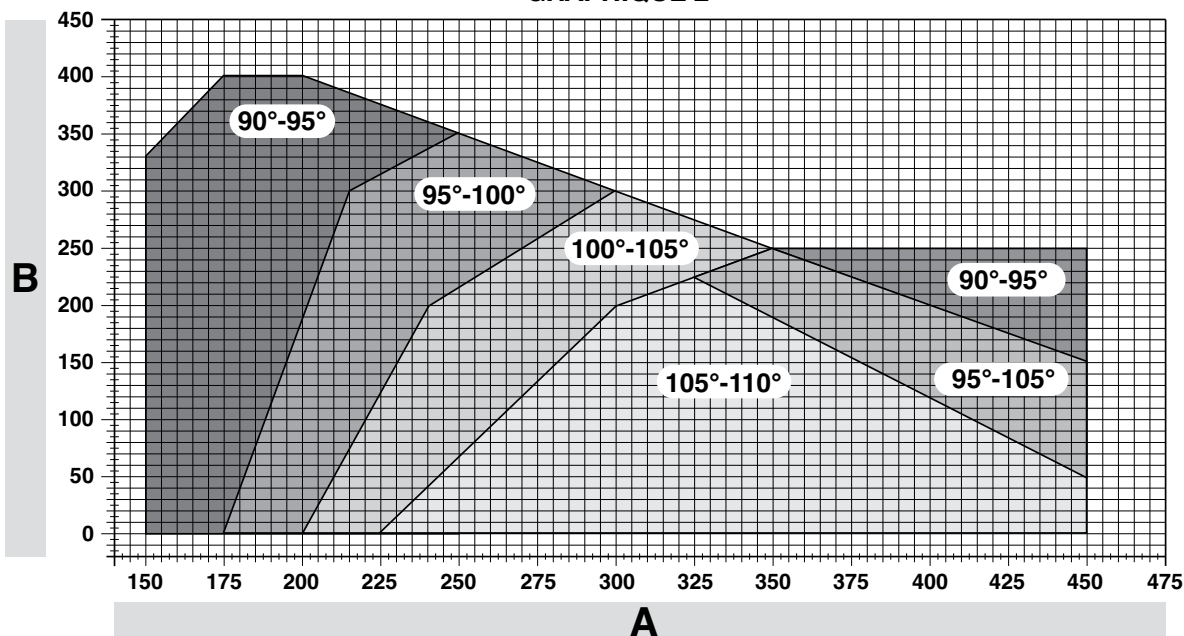
04. Fixer le bras de l'opérateur sur le vantail :

o) Phase 8 : percer le vantail aux points marqués précédemment.

p) Phase 9-10 : détacher la patte du bras et la fixer sur le vantail du portail avec des vis appropriées.

q) Phase 11 : fixer le bras à la patte, en insérant le pivot et la bague d'arrêt benzing. Important - Contrôler que la patte et le bras sont parfaitement de niveau. Desserrer éventuellement les vis de la patte et mettre de niveau.

GRAPHIQUE 2



r) Positionner les butées mécaniques de fin de course ; voir par. 3.5.

s) **Phase 12 :** mettre enfin manuellement le vantail à environ mi-course et bloquer l'opérateur avec la clé prévue à cet effet (voir par. 3.6). Déplacer ensuite manuellement le vantail de quelques centimètres, dans le sens d'ouverture.

05. Si le portail à automatiser est à deux vantaux, pour installer l'autre opérateur répéter toutes les opérations décrites dans le par. 3.4.

3.5 - Réglage des fins de course mécaniques

- Porter manuellement les vantaux du portail dans la position d'ouverture maximum ;
- Tourner le disque en plastique, placé sur la partie inférieure de l'opérateur, en plaçant la fente sous le bras dans la position illustrée **fig. 11-1** ;
- Introduire le fin de course dans la première position possible: essayer de l'insérer comme indiqué **fig. 11-2** (sens d'ouverture) ;
- Tourner le disque de manière à ne pas faire tomber le fin de course, en portant la fente dans la position illustrée **fig. 11-3** ; pour un réglage plus précis, agir sur la vis de réglage (**fig. 11-4**) ;
- Si dans l'installation il n'y a pas de butée au sol au point de fermeture, il faut répéter la procédure à partir du point 01 également pour le réglage du fin de course en fermeture ;
- Pour finir, visser à fond l'écrou de fixation du disque (**fig. 11-5**) pour s'assurer qu'il ne peut pas tourner accidentellement.

3.6 - Débrayer et bloquer manuellement l'opérateur

L'opérateur est muni d'un système de débrayage mécanique qui permet d'ouvrir et de fermer manuellement le portail.

Ces opérations manuelles doivent être effectuées en cas de manque de courant électrique ou d'anomalies de fonctionnement ou dans les phases d'installation.

Débrayer (fig. 12-A) :

- Introduire la clé dans la serrure prévue à cet usage ;
- Tourner la clé de 90° dans le sens des aiguilles d'une montre ;
- Mû par un ressort, le levier sort : tourner le levier de 90° dans le sens inverse des aiguilles d'une montre ;
- Il est alors possible de bouger manuellement le vantail dans la position désirée.

Bloquer (fig. 12-B) :

- Tourner le levier de 90° en mettant le levier en position verticale ;
- Pousser le levier jusqu'à son logement ;
- Tourner la clé de 90° dans le sens inverse des aiguilles d'une montre et retirer la clé.

4 BRANCHEMENTS ÉLECTRIQUES

La connexion électrique entre les différents dispositifs (photocellules, claviers numériques, lecteurs de cartes à transpondeur, etc.) présents dans l'installation et la logique de commande, doit être effectuée à travers le système « Bluebus » de Nice.

Description des connexions électriques (fig. 13)

ANTENNE	entrée pour l'antenne d'un récepteur radio
FLASH	sortie pour 1 clignotant avec lampe de 12 V (maximum 21 W). [*]
ELS	sortie pour serrure électrique de 12 Vca (maximum 15 VA) [*]
S.C.A.	« Voyant Portail Ouvert » : sortie pour 1 lampe de signalisation de 24 V et maximum 4 W. [*]
BLUEBUS	entrée pour dispositifs compatibles (MOFB, MOFOB, MOB et MOTB) ; connexion des dispositifs en parallèle à l'aide de 2 conducteurs dans lesquels passent aussi bien l'alimentation électrique que les signaux de communication ; aucune polarité à respecter. La connexion électrique à utiliser est de type parallèle et n'a besoin de respecter aucune polarité. Durant la phase de reconnaissance, chaque dispositif connecté à la logique de commande sera reconnu individuellement par cette dernière, grâce à un code univoque. Chaque fois qu'un dispositif sera ajouté ou éliminé, il sera nécessaire d'effectuer la reconnaissance de celui-ci par la logique (voir paragraphe 4.6).
STOP	entrée pour dispositifs dont l'intervention provoque l'arrêt immédiat de la manœuvre en cours, suivi d'une brève inversion ; possibilité de connecter des contacts de type NO, NF ou des dispositifs avec sortie à résistance constante 8,2 kΩ (bords sensibles). Tout dispositif connecté à cette entrée est reconnu individuellement par la logique durant la phase de reconnaissance (paragraphe 3.4) ; dans cette phase, si la logique détecte une variation quelconque par rapport à l'état appris, elle provoque un STOP. Il est possible de connecter à cette entrée un ou plusieurs dispositifs même différents les uns des autres : - connecter en parallèle plusieurs dispositifs NO, sans limites de quantité ;

- brancher en série plusieurs dispositifs NF, sans limites de quantité ;
- connecter en parallèle 2 dispositifs avec sortie à résistance constante 8,2 kΩ. S'il y a plus de 2 dispositifs, il faut les connecter en cascade avec 1 seule résistance terminale de 8,2 kΩ ;
- connecter en parallèle 2 dispositifs NO et NF, en mettant en série au contact NF une résistance de 8,2 kΩ (cela rend possible aussi la combinaison entre 3 dispositifs NO - NF et 8,2 kΩ) ;

P.P.	entrée pour dispositifs de commande dont l'intervention provoque la manœuvre en mode Pas à pas ; possibilité de connecter des contacts de type NO
OPEN	entrée pour dispositifs de commande dont l'intervention provoque uniquement la manœuvre d'ouverture ; possibilité de connecter des contacts de type NO
CLOSE	entrée pour dispositifs de commande dont l'intervention provoque uniquement la manœuvre de fermeture ; possibilité de connecter des contacts de type NO
ENC1	entrée encodeur - opérateur 1 (borne 1, 2) ; aucune polarité à respecter ;
ENC2	entrée encodeur - opérateur 2 (borne 4, 5) ; aucune polarité à respecter ;
M1	sortie pour opérateur 1 (borne 7, 8, 9) ;
M2	sortie pour opérateur 2 (borne 10, 11, 12).

[*] Les sorties FLASH, ELS et S.C.A. peuvent être programmées avec d'autres fonctions (voir « TABLEAU 3 - Fonctions 1^{er} niveau » ; ou bien à l'aide du programmeur Oview, voir paragraphe 8.3).

4.1 - Connexion de l'opérateur avec logique de commande mod. HK7024 - HK7024HS

Attention ! – Effectuer les connexions électriques uniquement après avoir installé l'opérateur.

RECOMMANDATIONS !

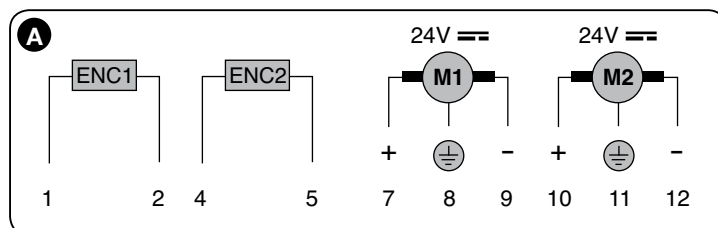
– Les opérations de branchement doivent être effectuées exclusivement par du personnel qualifié.

– Toutes les connexions électriques doivent être effectuées en l'absence d'alimentation de secteur et avec la batterie tampon déconnectée si elle est présente dans l'installation.

– Sur la ligne électrique d'alimentation, il faut prévoir un dispositif assurant la déconnexion complète de l'automatisation par rapport au secteur. Le dispositif doit avoir une distance d'ouverture entre les contacts permettant une déconnexion complète dans les conditions prévues par la catégorie de surtension III, conformément aux règles d'installation. Ce dispositif, en cas de besoin, garantit une déconnexion sûre et rapide de l'alimentation ; il doit donc être placé si possible dans une position visible depuis l'automatisme. S'il se trouve à distance, dans une position non visible, il faut prévoir un système empêchant l'éventuelle reconnexion accidentelle ou non autorisée de l'alimentation, pour conjurer tout danger. Le dispositif de connexion n'est pas fourni avec le produit.

- Ouvrir le couvercle (**fig. 14-1**) ;
- Soulever la logique de commande (**fig. 14-2**) ;
- Passer le câble d'alimentation et les autres câbles électriques à travers l'un des trous présents sur la partie inférieure de l'opérateur ; il faut couper la gaine présente (**fig. 14-4**) ;
- Dévisser la presse-étoupe et placer le câble d'alimentation dans le logement (**fig. 14-5**) ;
- Connecter d'abord le câble d'alimentation, voir **fig. 14-6** ;
- Bloquer le câble d'alimentation avec la presse-étoupe (**fig. 14-7**) ;
- Connecter ensuite les câbles électriques des moteurs M1 et M2, en respectant les symboles sur l'étiquette (**fig. A**) :
a) connecter à la borne M1 (7-8-9) le moteur qui actionne le vantail inférieur (le deuxième qui commence la manœuvre d'ouverture) puis l'encodeur respectif aux bornes 1-2 ;
b) connecter à la borne M2 (10-11-12) le moteur qui actionne le vantail supérieur (le premier qui commence la manœuvre d'ouverture) puis l'encodeur respectif aux bornes 4-5.

IMPORTANT ! – Si l'installation ne comporte qu'un seul opérateur, le connecter à la borne M2 en laissant libre la borne M1 ;



- Connecter maintenant les câbles électriques des différents dispositifs présent en se référant à la **fig. 17** et voir paragraphe 4.3. **Note** – Pour faciliter les connexions des câbles, il est possible d'extraire les bornes de leurs logements ;
- Refermer le couvercle de l'opérateur (**fig. 14-8**).

4.2 - Connexion de l'opérateur sans logique de commande mod. HK7224 - HK7224HS

- Ouvrir le couvercle comme l'indique le fig. 15-1 ;
- Passer le câble du moteur à travers l'un des trous présents sur la partie inférieure de l'opérateur ; il faut couper la gaine présente (fig. 15-2) ;
- Dévisser le presse-étoupe (fig. 15-3), placer le câble dans le logement et connecter les fils comme indiqué fig. 16-4 ; respecter les symboles sur l'étiquette ;
- Bloquer le câble avec le presse-étoupe (fig. 15-5) ;
- Refermer le couvercle de l'opérateur (fig. 15-6).

4.3 - Connexion d'autres dispositifs

S'il faut alimenter d'autres dispositifs prévus dans l'installation, par exemple un lecteur de cartes à transpondeur ou l'éclairage du sélecteur à clé, il est possible de connecter ces dispositifs à la logique de commande sur les bornes « P.P. (positif) » et « STOP (négatif) » (fig. 13). La tension d'alimentation est de 24 Vcc (-30 % ÷ +50 %) avec courant maximum disponible de 200 mA.

Note – La tension disponible aux bornes « P.P. » et « STOP » reste présente même quand la fonction « Stand By » est activée sur la carte.

4.4 - Adressage des dispositifs connectés

Pour permettre à la logique de reconnaître les dispositifs connectés au système Bluebus, il faut effectuer l'adressage de ces derniers. Cette opération doit être effectuée en positionnant correctement le cavalier présent dans chaque dispositif : voir fig. B. Pour effectuer l'adressage d'autres dispositifs, consulter les guides d'instructions respectifs. À la fin de la procédure d'installation ou après l'enlèvement de photocellules ou d'autres dispositifs, il faut effectuer la procédure de reconnaissance de ces derniers ; voir le paragraphe 4.6.

B

ADRESSES DES PHOTOCELLULES	
Photocellule	Cavaliers
FOTO Photocellule extérieure h = 50 avec intervention en fermeture (ferme et inverse le mouvement)	
FOTO II Photocellule extérieure h = 100 avec intervention en fermeture (ferme et inverse le mouvement)	
FOTO 1 Photocellule intérieure h = 50 avec intervention aussi bien en fermeture (ferme et inverse le mouvement) qu'en ouverture (ferme et repart quand la photocellule est libérée)	
FOTO 1 II Photocellule intérieure h = 100 avec intervention aussi bien en fermeture (ferme et inverse le mouvement) qu'en ouverture (ferme et repart quand la photocellule est libérée)	
FOTO 2 Photocellule intérieure avec intervention en ouverture (ferme et inverse le mouvement)	
FOTO 2 II Photocellule intérieure avec intervention en ouverture (ferme et inverse le mouvement)	
FOTO 3 CONFIGURATION NON AUTORISÉE	

4.5 - Première mise en service et vérification des connexions

Après avoir alimenté électriquement la logique de commande, effectuer les contrôles suivants :

- au bout de quelques secondes, vérifier que la led « Bluebus » (fig. 16) clignote régulièrement à la fréquence d'1 clignotement à la seconde ;
- vérifier que les leds des photocellules (fig. 16), tant TX que RX, émettent des clignotements. Le type de clignotement émis, dans cette phase, n'est pas significatif ;
- vérifier que le clignotant connecté à la sortie FLASH est éteint.

Si les contrôles ne donnent pas le résultat indiqué, il faut couper l'alimentation électrique de la logique et contrôler les différentes connexions électriques précédemment effectuées.

4.6 - Reconnaissance des dispositifs connectés

Après avoir effectué la première mise sous tension, il faut faire reconnaître par la logique de commande les dispositifs connectés aux entrées « Bluebus » et « Stop ».

ATTENTION ! – La phase de reconnaissance doit être effectuée même si aucun dispositif n'est connecté à la logique de commande.

La logique de commande est en mesure de reconnaître individuellement les différents dispositifs connectés grâce à la procédure de reconnaissance et de détecter les éventuelles anomalies présentes. C'est aussi la raison pour laquelle il faut procéder à la reconnaissance des dispositifs à chaque ajout ou retrait de l'un d'eux. Les leds « L1 » et « L2 » présentes sur la logique (fig. 16) émettent des clignotements lents pour indiquer qu'il faut effectuer la reconnaissance :

- Presser et maintenir enfoncées les touches « ◀ » et « Set » (fig. 16).
- Relâcher les touches quand les leds « L1 » et « L2 » commencent à clignoter très rapidement (au bout d'environ 3 s).
- Attendre quelques secondes que la logique termine la reconnaissance des dispositifs.
- À la fin de cette phase la led « Stop » doit être allumée et les leds « L1 » et « L2 » doivent s'éteindre (les leds « L3 » et « L4 » pourraient commencer à clignoter).

4.7 - Reconnaissance des positions des fins de course mécaniques

Après la reconnaissance des dispositifs connectés (paragraphe 4.6), il faut procéder à la reconnaissance des positions des butées mécaniques (ouverture maximum et fermeture maximum). Cette procédure peut être exécutée en trois modalités : **automatique**, **manuelle** et **mixte**. En **mode automatique**, la logique effectue la reconnaissance des butées mécaniques et calcule les décalages les plus appropriés pour les vantaux (SA et SC, fig. C).

En **mode manuel**, les huit positions des butées mécaniques (fig. C) sont programmées une par une en déplaçant les vantaux aux endroits désirés. La position à programmer est identifiable grâce au clignotement de l'une des 8 leds (L1...L8), voir **Tableau 2**.

Dans le **mode mixte**, il est possible d'effectuer la procédure automatique puis, avec la procédure manuelle, de modifier une ou plusieurs positions à l'exception des positions « 0 » et « 1 » (fig. C) qui coïncident avec les positions des butées mécaniques.

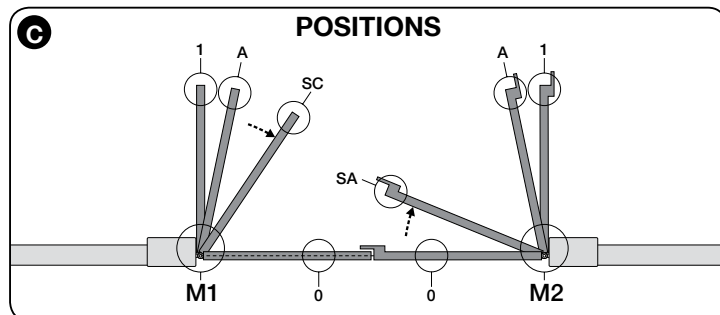


TABLEAU 2		
Position	Led	Description
Position 0 (moteur 1)	L1	Position de fermeture maximum : quand le vantail 1 bat sur la butée mécanique de fermeture
Position 0 (moteur 2)	L2	Position de fermeture maximum : quand le vantail 2 bat sur la butée mécanique de fermeture
Position SA (moteur 2)	L3	Décalage en ouverture : quand le vantail 2 dépasse cette position l'ouverture du vantail 1 commence
Position A (moteur 1)	L4	Position d'ouverture désirée : position dans laquelle le vantail connecté au moteur 1 doit s'arrêter à la fin d'une manœuvre d'ouverture. Il n'est pas nécessaire que cette position coïncide avec la butée mécanique d'ouverture mais elle peut être choisie à volonté entre la position « 0 » et « 1 »
Position A (moteur 2)	L5	Position d'ouverture désirée : position dans laquelle le vantail connecté au moteur 2 doit s'arrêter à la fin d'une manœuvre d'ouverture. Il n'est pas nécessaire que cette position coïncide avec la butée mécanique d'ouverture mais elle peut être choisie à volonté entre la position « 0 » et « 1 »
Position SC (moteur 1)	L6	Décalage en fermeture : quand le vantail 1 se trouve en dessous de cette position la fermeture du vantail 2 commence
Position 1 (moteur 1)	L7	Position d'ouverture maximum : quand le vantail 1 bat sur la butée mécanique d'ouverture
Position 1 (moteur 2)	L8	Position d'ouverture maximum : quand le vantail 2 bat sur la butée mécanique d'ouverture

4.7.1 - Reconnaissance en mode **automatique** de la logique de commande HKA2 : pour mod. HK7024 et HK7024HS

- Presser et maintenir enfoncées simultanément les touches « Set » et « ▶ » ;

02. Mod. HK7024

relâcher les touches « Set » et « ► » lorsque les témoins « L3 » et « L4 » se mettent à clignoter rapidement (après 4 secondes environ)

03. Vérifier que l'automatisme effectue les séquences de manœuvres suivantes :

- a - Fermeture lente de l'opérateur M1 jusqu'à la butée mécanique
- b - Fermeture lente de l'opérateur M2 jusqu'à la butée mécanique
- c - Ouverture lente de l'opérateur M2 et de l'opérateur M1 jusqu'à la butée mécanique
- d - Fermeture rapide des opérateurs M1 et M2

Avertissements :

- Si la première manœuvre (a) ne ferme pas le vantail commandé par le moteur M1 mais celui commandé par M2, presser la touche « ◀ » ou « ▶ » pour arrêter la phase de reconnaissance. Inverser alors les connexions des moteurs M1 et M2 sur les bornes présentes sur la logique puis celles des encodeurs respectifs ; commencer la procédure à partir du point 01 ;
- Si les deux premières manœuvres (a et b) ne sont pas des « fermetures » mais des « ouvertures », presser la touche « ◀ » ou « ▶ » pour arrêter la phase de reconnaissance. Ensuite, sur l'opérateur qui a effectué la manœuvre d'ouverture, inverser les polarités des deux fils de l'opérateur M1 (bornes 7 et 9) et de M2 (bornes 10 et 12) puis commencer la procédure à partir du point 01 ;

04. À la fin de la manœuvre de fermeture des 2 moteurs (d), les leds :

« L3 » et « L4 » = HK7024

« L5 » et « L6 » = HK7024HS

s'éteignent en indiquant que la procédure a été exécutée correctement.

Avertissements :

- Si durant la procédure de reconnaissance automatique, il y a intervention des photocellules ou d'un dispositif connecté à l'entrée « stop », la procédure s'interrompt et la led L1 commence à clignoter. Pour réactiver la reconnaissance, il faut reprendre la procédure à partir du point 01 ;
- La procédure de reconnaissance automatique peut être effectuée de nouveau à tout moment, même après avoir effectué l'installation ; par exemple, après la variation de la position des butées mécaniques.

4.7.2 - Reconnaissance en mode manuel de la logique de commande HKA2 : UNIQUEMENT pour mod. HK7024

Attention ! – À partir du point 03 :

- pour se déplacer de la led L1 à L8, il faut exercer une brève pression sur la touche « ◀ » ou « ▶ » (la led clignote, en indiquant la position actuelle) ;
- pour faire bouger le moteur dans un sens ou dans l'autre, il faut exercer une pression continue de la touche « ◀ » ou « ▶ ».

01. Presser et maintenir enfoncées simultanément les touches « Set » et « ► » ;

02. Relâcher les touches quand la led « L1 » commence à clignoter (au bout d'environ 1 s). **Note** – Passées 3 secondes, si les touches « Set » et « ► » ne sont pas relâchées, la procédure d'« apprentissage automatique » s'active à la place de la procédure manuelle.

03. • la led L1 clignote : position 0 de M1

Pour commander et porter le moteur 1 dans la position 0 (fig. C) : presser et maintenir enfoncée la touche « ◀ » ou « ▶ ». Quand la position est atteinte, relâcher la touche pour arrêter la manœuvre. Pour mémoriser la position, presser et maintenir enfoncée la touche « Set » pendant au moins 3 s puis la relâcher (au bout de 2 s la led L1 reste allumée et quand on relâche la touche « Set » la led L2 commence à clignoter).

• la led L2 clignote : position 0 de M2

Pour commander et porter le moteur 2 dans la position 0 (fig. C) : presser et maintenir enfoncée la touche « ◀ » ou « ▶ ». Quand la position est atteinte, relâcher la touche pour arrêter la manœuvre. Pour mémoriser la position, presser et maintenir enfoncée la touche « Set » pendant au moins 3 s puis la relâcher (au bout de 2 s la led L2 reste allumée et quand on relâche la touche « Set » la led L3 commence à clignoter).

• la led L3 clignote : position SA de M2

Pour commander et porter le moteur 2 dans la position SA (fig. C) : presser et maintenir enfoncée la touche « ◀ » ou « ▶ ». Quand la position est atteinte, relâcher la touche pour arrêter la manœuvre. Pour mémoriser la position, presser et maintenir enfoncée la touche « Set » pendant au moins 3 s puis la relâcher (au bout de 2 s la led L3 reste allumée et quand on relâche la touche « Set » la led L4 commence à clignoter).

• la led L4 clignote : position A de M1

Pour commander et porter le moteur 1 dans la position A (fig. C) : presser et maintenir enfoncée la touche « ◀ » ou « ▶ ». Quand la position est atteinte, relâcher la touche pour arrêter la manœuvre. Pour mémoriser la position, presser et maintenir enfoncée la touche « Set » pendant au moins 3 s puis la relâcher (au bout de 2 s la led L4 reste allumée et quand on relâche la touche « Set » la led L5 commence à clignoter).

• la led L5 clignote : position A de M2

Pour commander et porter le moteur 2 dans la position A (fig. C) : presser et maintenir enfoncée la touche « ◀ » ou « ▶ ». Quand la position est atteinte, relâcher la touche pour arrêter la manœuvre. Pour mémoriser la position, presser et maintenir enfoncée la touche « Set » pendant au moins 3 s puis la relâcher (au bout de 2 s la led L5 reste allumée et quand on relâche la touche « Set » la led L6 commence à clignoter).

• la led L6 clignote : position SC de M1

Pour commander et porter le moteur 1 dans la position SC (fig. C) : presser et maintenir enfoncée la touche « ◀ » ou « ▶ ». Quand la position est atteinte, relâcher la touche pour arrêter la manœuvre. Pour mémoriser la position, presser et maintenir enfoncée la touche « Set » pendant au moins 3 s puis la relâcher (au bout de 2 s la led L6 reste allumée et quand on relâche la touche « Set » la led L7 commence à clignoter).

Mod. HK7024HS

relâcher les touches « Set » et « ► » lorsque les témoins « L5 » et « L6 » se mettent à clignoter rapidement (après 7 secondes environ)

• la led L7 clignote : position 1 de M1

Pour commander et porter le moteur 1 dans la position 1 (fig. C) : presser et maintenir enfoncée la touche « ◀ » ou « ▶ ». Quand la position est atteinte, relâcher la touche pour arrêter la manœuvre. Pour mémoriser la position, presser et maintenir enfoncée la touche « Set » pendant au moins 3 s puis la relâcher (au bout de 2 s la led L7 reste allumée et quand on relâche la touche « Set » la led L8 commence à clignoter).

• la led L8 clignote : position 1 de M2

Pour commander et porter le moteur 2 dans la position 1 (fig. C) : presser et maintenir enfoncée la touche « ◀ » ou « ▶ ». Quand la position est atteinte, relâcher la touche pour arrêter la manœuvre. Pour mémoriser la position, presser et maintenir enfoncée la touche « Set » pendant au moins 3 s puis la relâcher pour sortir de la programmation (au bout de 2 s la led L8 reste allumée jusqu'à ce qu'on relâche la touche « Set »).

Note – Programmation manuelle d'une installation avec un seul opérateur : procéder comme décrit au début de ce paragraphe à partir de la phase 01. À la phase 03 procéder comme suit :

- programmer les positions relatives aux leds L1 (0 de M1) et L7 (1 de M1) de la façon suivante : maintenir enfoncée la touche « Set » pendant au moins 3 s puis la relâcher (au bout de 2 s la led reste allumée et quand on relâche la touche « Set » la led successive commence à clignoter).

- ne pas programmer les positions relatives aux leds L3 (SA de M2) et L4 (A de M1) - L6 (SC de M1) : pour se déplacer rapidement entre les positions presser brièvement la touche « ◀ » ou « ▶ ».

4.7.3 - Reconnaissance en mode mixte de la logique de commande HKA2 : pour mod. HK7024 et HK7024HS

Effectuer cette procédure après l'exécution de l'apprentissage en mode automatique :

01. Presser et maintenir enfoncées simultanément les touches « Set » et « ► » ;

02. Relâcher les touches quand la led « L1 » commence à clignoter (au bout d'environ 1 s). **Note** – Passées 3 secondes, si les touches « Set » et « ► » ne sont pas relâchées, la procédure d'« apprentissage automatique » s'active à la place de la procédure manuelle.

03. Avec une brève pression de la touche « ◀ » ou « ▶ », déplacer la led clignotante (L1...L8) sur la position que l'on souhaite programmer et procéder pour chaque position, comme décrit au point 03 de la reconnaissance en mode manuel (paragraphe 4.7.2). Répéter cette dernière opération pour toutes les autres positions que l'on souhaite modifier.

Pour terminer la reconnaissance manuelle, presser plusieurs fois la touche « ► », de manière à porter la led qui clignote au-delà de L8.

4.8 - Vérification du mouvement des vantaux du portail

À la fin de la phase de reconnaissance, il est conseillé de faire effectuer à la logique quelques manœuvres d'ouverture et de fermeture, de manière à vérifier le mouvement correct du portail, les éventuels défauts de montage et de réglage.

01. Presser la touche « Open ». Vérifier le décalage correct des vantaux en ouverture et vérifier que durant la manœuvre d'ouverture on a bien la phase d'accélération, la phase à vitesse constante, la phase de ralentissement et que la fin de course des vantaux à réglée à quelques centimètres de distance des butées mécaniques d'ouverture ;

02. Presser la touche « Close » et vérifier que durant la manœuvre de fermeture on a bien la phase d'accélération, la phase à vitesse constante et la phase de ralentissement. Vérifier le décalage correct des vantaux en fermeture. À la fin, les vantaux doivent être parfaitement fermés sur la butée mécanique de fermeture ;

03. Vérifier, durant les manœuvres, que le clignotant effectue des clignotements réguliers de 0,5 seconde.

5 ESSAI ET MISE EN SERVICE

Celles-ci sont les phases les plus importantes de la réalisation de l'automatisation, afin de garantir la sécurité maximale de l'installation. L'essai peut également être utilisé pour vérifier périodiquement les dispositifs qui composent l'automatisation. Les phases d'essai et de mise en service de l'automatisation doivent être effectuées par un personnel qualifié et expert qui devra établir les essais nécessaires pour vérifier les solutions adoptées par rapport aux risques présents et contrôler le respect de ce qui est prévu par les lois, normes et règlements : en particulier, de toutes les caractéristiques requises par la norme EN 12445 qui établit les méthodes d'essai pour le contrôle des automatismes pour portails.

Les dispositifs supplémentaires doivent être soumis à un essai spécifique, aussi bien pour ce qui concerne la fonctionnalité que pour ce qui concerne leur correcte interaction avec HYKE ; se référer aux manuels d'instructions de chaque dispositif.

5.1 - Essai

La séquence d'opérations à effectuer pour l'essai se réfère à une installation typique (fig. 3) :

- 1 Vérifier que tout ce qui est prévu dans le chapitre « Recommandations pour l'installation » est rigoureusement respecté.
- 2 Débloquer manuellement les opérateurs et contrôler que en agissant sur le vantail, au point prévu pour la manœuvre manuelle, il soit possible de déplacer les vantaux en ouverture et en fermeture avec une force inférieure à 390 N.
- 3 Bloquer les opérateurs (voir chapitre 3.6).
- 4 En utilisant les dispositifs de commande (émetteur, bouton de commande, sélecteur à clé, etc.), effectuer des essais d'Ouverture, Fermeture et Arrêt du portail, en veillant à ce que le mouvement des vantaux corresponde à ce qui est prévu. Il convient d'effectuer différents essais afin d'évaluer le mouvement des vantaux et de contrôler d'éventuels défauts de montage,

de réglage ou la présence de points de frottement particuliers.

- 5 Contrôler un à un le correct fonctionnement de tous les dispositifs de sécurité présents sur l'installation (photocellules, bords sensibles, etc.).
Lorsqu'un dispositif intervient, la led "BLUEBUS", présente sur la centrale, émet 2 clignotements plus rapides pour confirmer la reconnaissance.
- 6 Si les situations dangereuses provoquées par le mouvement des vantaux ont été prévenues moyennant la limitation de la force d'impact, mesurer la force selon ce qui est prévu par la norme EN 12445 et éventuellement si le contrôle de la "force opérateur" est utilisé comme aide au système pour la réduction de la force d'impact, essayer et enfin trouver le réglage fournissant les meilleurs résultats.

5.2 - Mise en service

La mise en service ne peut avoir lieu qu'après avoir effectué de manière positive toutes les phases d'essai.

- 1 Préparer le dossier technique de l'automatisation, celui-ci devra comprendre les documents suivants : un dessin général de l'automatisation, le schéma

des branchements électriques effectués, l'analyse des risques présents et les relatives solutions adoptées, la déclaration de conformité du fabricant de tous les dispositifs utilisés et la déclaration de conformité remplie par l'installateur.

- 2 Accrocher sur le portail une plaquette contenant au moins les données suivantes : type d'automatisation, nom et adresse du fabricant (responsable de la "mise en service"), numéro de fabrication, année de fabrication et marque "CE".
- 3 Remplir et fournir au propriétaire de l'automatisation la déclaration de conformité de l'automatisation.
- 4 Remplir et fournir au propriétaire de l'automatisation le "**Manuel d'utilisation**" de l'automatisation.
- 5 Remplir et fournir au propriétaire de l'automatisation le "**Plan de maintenance**" qui comprend les prescriptions concernant la maintenance de tous les dispositifs de l'automatisation.
- 6 Avant de mettre en service l'automatisation, informer de manière adéquate le propriétaire sur les dangers et les risques résiduels encore présents.
Pour toute la documentation citée, Nice à travers son propre service d'assistance technique met à disposition : manuels d'instructions, guides et fiches pré-remplies. Voir aussi sur : www.nice-service.com

6 PROGRAMMATION DE LA CENTRALE DE COMMANDE

Sur la logique se trouvent 3 touches **OPEN** (◀), **STOP (SET)**, **CLOSE** (▶) qui peuvent être utilisées aussi bien pour commander la logique durant les phases d'essai que pour la programmation des fonctions disponibles.

Les fonctions programmables disponibles sont disposées sur 2 niveaux et leur état de fonctionnement est signalé par les 8 leds (**L1 ... L8**) présentes sur la logique (**led allumée** = fonction active ; **led éteinte** = fonction inactive).

Utiliser les touches de programmation :

OPEN (◀) : – touche pour commander l'ouverture du portail ; – touche de sélection en phase de programmation.

STOP/SET : touche pour arrêter une manœuvre ; si elle est pressée pendant plus de 5 secondes, elle permet d'entrer dans la phase de programmation.

CLOSE (▶) : – touche pour commander la fermeture du portail ; – touche de sélection en phase de programmation.

6.1 - Programmation du premier niveau (ON-OFF)

Toutes les fonctions du premier niveau sont programmées en usine sur « **OFF** » et peuvent être modifiées à tout moment. Pour vérifier les différentes fonctions voir **Tableau 3**. Pour la procédure de programmation voir **Tableau 4**.

IMPORTANT – La procédure de programmation présente un temps maximum de 10 secondes entre la pression d'une touche et l'autre. Une fois ce temps écoulé, la procédure prend fin automatiquement en mémorisant les modifications faites jusqu'à ce moment-là.

TABLEAU 3 - Fonctions de premier niveau

Led	Fonction	Description
L1	Fermeture automatique	<u>Fonction ACTIVE</u> : après une manœuvre d'ouverture, il y a une pause (de la durée du temps de pause programmé) après laquelle la logique de commande commence automatiquement une manœuvre de fermeture. La valeur d'usine du temps de pause est de 30 s. <u>Fonction INACTIVE</u> : le fonctionnement est de type « semi-automatique ».
L2	Referm. après photo	<u>Fonction ACTIVE</u> : si les photocellules interviennent durant la manœuvre d'ouverture ou de fermeture, le temps de pause se réduit à 5 s, indépendamment du « temps de pause » programmé. Avec la « fermeture automatique » désactivée, si les photocellules interviennent durant la fermeture, la « fermeture automatique » s'active avec le « temps de pause » programmé.
L3	Fermer toujours	<u>Fonction ACTIVE</u> : en cas de coupure du courant, même de courte durée, au retour du courant, la logique de commande détecte le portail ouvert et commence automatiquement une manœuvre de fermeture, précédée de 5 s de préclignotement. <u>Fonction INACTIVE</u> : aucune manœuvre au retour du courant électrique.
L4	Stand-by total	<u>Fonction ACTIVE</u> : 1 minute après la fin de la manœuvre, la logique éteint la sortie « Bluebus » (dispositifs connectés), le Bus T4 (dispositifs connectés), les sorties flash, ELS et SCA, certains circuits internes et toutes les leds sauf la led Bluebus qui clignotera plus lentement. Quand une commande arrive, la logique rétablit le fonctionnement normal (avec un court retard). Cette fonction a pour but de réduire les consommations ; aspect important avec alimentation par batteries ou panneaux photovoltaïques.
L5	Serrure électrique / Éclairage automatique	<u>Fonction ACTIVE</u> : la sortie « serrure électrique » commute son fonctionnement en « éclairage automatique ». <u>Fonction INACTIVE</u> : la sortie fonctionne comme serrure électrique.
L6	Préclignotement	<u>Fonction ACTIVE</u> : il est possible d'ajouter une pause de 3 secondes entre l'allumage du clignotant et le début de la manœuvre, pour signaler à l'avance une situation de danger. <u>Fonction INACTIVE</u> : la signalisation du clignotant coïncide avec le début de la manœuvre.
L7	« Fermeture » devient « Ouverture partielle 1 »	<u>Fonction ACTIVE</u> : l'entrée « Close » de la logique commute son fonctionnement en « Ouverture partielle 1 ».
L8	« Voyant portail ouvert » ou « Voyant maintenance »	<u>Fonction ACTIVE</u> : la sortie « voyant portail ouvert » de la logique commute son fonctionnement en « voyant maintenance ». <u>Fonction INACTIVE</u> : la sortie fonctionne comme « voyant portail ouvert ».

TABLEAU 4 - Procédure de programmation premier niveau

01. Presser et maintenir enfoncée la touche « Set » pendant environ 3 s ;	
02. Relâcher la touche quand la led « L1 » commence à clignoter ;	
03. Presser la touche « ◀ » ou « ▶ » pour déplacer la led clignotante sur la led qui correspond à la fonction à modifier ;	
04. Presser la touche « Set » pour changer l'état de la fonction : (clignotement bref = OFF - clignotement long = ON) ;	
05. Attendre 10 secondes (temps maximum) pour sortir de la programmation.	

Note – Pour programmer d'autres fonctions sur « ON » ou « OFF », durant l'exécution de la procédure, il faut répéter les points 03 et 04 durant la phase proprement dite.

6.2 - Programmation deuxième niveau (paramètres réglables)

Tous les paramètres du deuxième niveau sont programmés en usine comme indiqué en **gris** dans le **Tableau 5** et peuvent être modifiés à tout moment, en procédant comme décrit dans le **Tableau 6**.

Les paramètres sont réglables sur une échelle de valeurs de 1 à 8 ; pour vérifier la valeur correspondant à chaque led voir **Tableau 8**. **IMPORTANT** – La procédure de programmation présente un temps maximum de 10 secondes

entre la pression d'une touche et l'autre. Une fois ce temps écoulé, la procédure prend fin automatiquement en mémorisant les modifications faites jusqu'à ce moment-là.

TABLEAU 5 - Fonctions de deuxième niveau

Led d'entrée	Paramètre	Led (niveau)	Valeur	Description
L1	Temps de pause	L1	5 secondes	Règle le temps de pause, à savoir le temps qui s'écoule avant la refermeture automatique. La fonction n'a d'effet que si la fermeture est active.
		L2	15 secondes	
		L3	30 secondes	
		L4	45 secondes	
		L5	60 secondes	
		L6	80 secondes	
		L7	120 secondes	
		L8	180 secondes	
L2	Fonction Pas à pas	L1	Ouverture – stop – fermeture – stop	Règle la séquence de commandes associées à l'entrée « Pas à pas », « Ouverture », « Fermeture » ou bien à la commande radio. Note – En configurant L4 , L5 , L7 et L8 , le comportement des commandes « Ouverture » et « Fermeture » est modifié.
		L2	Ouverture – stop – fermeture – ouverture	
		L3	Ouverture – fermeture – ouverture – fermeture	
		L4	Fonctionnement collectif : • dans la manœuvre d'ouverture les commandes « Pas à pas » et « Ouverture » sont sans effet ; par contre, la commande « Fermeture » provoque l'inversion du mouvement, c'est-à-dire la fermeture des vantaux. • dans la manœuvre de fermeture les commandes « Pas à pas » et « Ouverture » provoquent l'inversion du mouvement, c'est-à-dire l'ouverture des vantaux ; par contre, la commande « Fermeture » ne provoque aucun effet.	
		L5	Fonctionnement collectif 2 : • dans la manœuvre d'ouverture les commandes « Pas à pas » et « Ouverture » sont sans effet ; par contre, la commande « Fermeture » provoque l'inversion du mouvement, c'est-à-dire la fermeture des vantaux. Si la commande envoyée persiste pendant plus de 2 secondes, un « Stop » est exécuté. • dans la manœuvre de fermeture les commandes « Pas à pas » et « Ouverture » provoquent l'inversion du mouvement, c'est-à-dire l'ouverture des vantaux ; par contre, la commande « Fermeture » ne provoque aucun effet. Si la commande envoyée persiste pendant plus de 2 secondes, un « Stop » est exécuté.	
		L6	Pas à pas 2 (moins de 2 s provoque l'ouverture partielle)	
		L7	Comm. action maintenue : la manœuvre n'est exécutée que si la commande envoyée persiste ; si le commande est interrompue la manœuvre s'arrête.	
		L8	Ouverture en « semi-automatique », fermeture avec commande « par action maintenue »	
L3	Vitesse moteurs	L1	Aucune décharge	Règle la vitesse des moteurs durant la course normale.
		L2	Niveau 1 - Décharge minimum (environ 100 ms)	
		L3	Niveau 2 - ...	
		L4	Niveau 3 - ...	
		L5	Niveau 4 - ...	
		L6	Niveau 5 - ...	
		L7	Niveau 6 - ...	
		L8	Niveau 7 - Décharge maximum (environ 800 ms)	
L4	Décharge moteurs après la fermeture	L1	Niveau 1 - Force minimum	Règle la durée de la « brève inversion » des deux moteurs, après l'exécution de la manoeuvre de Fermeture, dans le but de réduire la poussée finale résiduelle, garantir une fermeture correcte et faciliter le débrayage manuel de l'opérateur.
		L2	Niveau 2 - ...	
		L3	Niveau 3 - ...	
		L4	Niveau 4 - ...	
		L5	Niveau 5 - ...	
		L6	Niveau 6 - ...	
		L7	Niveau 7 - ...	
		L8	Niveau 8 - Force maximum	
L5	Force moteurs	L1	Level 1 - Minimum Force	Règle la force des deux moteurs.
		L2	Level 2 - ...	
		L3	Level 3 - ...	
		L4	Level 4 - ...	
		L5	Level 5 - ...	
		L6	Level 6 - ...	
		L7	Level 7 - ...	
		L8	Level 8 - Maximum Force	
L6	Ouverture piétonne ou partielle	L1	Piétonne 1 (ouverture du vantail M2 à un quart de l'ouverture totale)	Règle le type d'ouverture associé à la commande « Ouverture partielle 1 ». Dans les niveaux L5, L6, L7, L8, ouverture « minimum » correspond à l'ouverture la plus petite entre M1 et M2 ; par exemple si M1 ouvre à 90° et M2 ouvre à 110°, l'ouverture minimum est 90°.
		L2	Piétonne 2 (ouverture du vantail M2 à la moitié de l'ouverture totale)	
		L3	Piétonne 3 (ouverture du vantail M2 aux trois quarts de l'ouverture totale)	
		L4	Piétonne 4 (ouverture totale du vantail 2)	
		L5	Partielle 1 (ouverture des deux vantaux à un quart de l'ouverture « minimum »)	
		L6	Partielle 2 (ouverture des deux vantaux à la moitié de l'ouverture « minimum »)	
		L7	Partielle 3 (ouverture des deux vantaux aux trois quarts de l'ouverture « minimum »)	
		L8	Partielle 4 (ouverture des deux vantaux égale à l'ouverture « minimum »)	

L7	Avis de maintenance	L1	500	Règle le nombre de manœuvres : quand ce nombre est dépassé, la logique de commande signale la demande de maintenance de l'automatisme ; voir paragraphe 6.3.2. – Avis de maintenance
		L2	1000	
		L3	1500	
		L4	2500	
		L5	5000	
		L6	10000	
		L7	15000	
		L8	20000	
L8	Liste des anomalies	L1	Résultat 1re manœuvre (la plus récente)	Permet de vérifier le type d'anomalie qui s'est produite durant l'exécution des 8 dernières manœuvres. Voir TABLEAU 10 - Liste historique des anomalies.
		L2	Résultat 2e manœuvre	
		L3	Résultat 3e manœuvre	
		L4	Résultat 4e manœuvre	
		L5	Résultat 5e manœuvre	
		L6	Résultat 6e manœuvre	
		L7	Résultat 7e manœuvre	
		L8	Résultat 8e manœuvre	

Note – La couleur grise correspond aux valeurs réglées à l'usine.

TABLEAU 6 - Procédure de programmation deuxième niveau

01. Presser et maintenir enfoncée la touche « Set » pendant environ 3 s ;	
02. Relâcher la touche quand la led « L1 » commence à clignoter ;	
03. Presser la touche « ◀ » ou « ▶ » pour déplacer la led clignotante sur la led d'entrée qui correspond au paramètre à modifier ;	
04. Presser et maintenir enfoncée la touche « Set » jusqu'à la fin du point 06 ;	
05. Attendre environ 3 secondes jusqu'à ce que la led qui correspond au niveau actuel du paramètre à modifier s'allume ;	
06. Presser la touche « ◀ » ou « ▶ » pour déplacer la led qui correspond à la valeur du paramètre ;	
07. Relâcher la touche « Set » ;	
08. Attendre 10 secondes (temps maximum) pour sortir de la programmation.	

Note – Pour programmer plusieurs paramètres, durant l'exécution de la procédure, il faut répéter les opérations du point 03 au point 07 durant la phase proprement dite.

6.3 - Fonctions spéciales

6.3.1 - Fonction : « Manœuvre dans tous les cas »

Cette fonction permet de faire fonctionner l'automatisme même quand l'un des dispositifs de sécurité ne fonctionne pas correctement ou est hors d'usage. Il est possible de commander l'automatisme avec « commande à action maintenue », en procédant de la façon suivante :

01. Envoyer une commande pour actionner le portail, avec un émetteur ou avec un sélecteur à clé, etc. Si tout fonctionne correctement, le portail bougera régulièrement, en cas contraire procéder comme suit :
02. dans les 3 secondes qui suivent, actionner de nouveau la commande et la maintenir ;
03. au bout de 2 secondes environ, le portail effectuera la manœuvre désirée en mode « action maintenue » c'est-à-dire que l'actionnement du portail ne se vérifiera que tant que la commande est maintenue.

Quand les dispositifs de sécurité ne fonctionnent pas, l'indicateur clignotant émet quelques clignotements pour signaler le type de problème (voir chapitre 6 - Tableau 8).

6.3.2 - Fonction : « Avis de maintenance »

Cette fonction, sert à signaler quand il est nécessaire de procéder à la maintenance de l'automatisme. La signalisation d'avis de maintenance est donnée par un voyant connecté à la sortie S.C.A. quand cette sortie est programmée comme « Voyant maintenance ». Les différentes signalisations du voyant sont indiquées dans le **Tableau 7**.

Pour programmer la valeur limite des manœuvres de maintenance, voir **Tableau 5**.

Tableau 7 - Signalisation sur « Voyant maintenance »

Nombre de manœuvres	Signalisation
Inférieur à 80 % de la limite	Voyant allumé pendant 2 secondes, au début de la manœuvre d'ouverture.
Entre 81 % et 100 % de la limite	Voyant qui clignote pendant toute la durée de la manœuvre.
Au-delà de 100 % de la limite	Voyant qui clignote de manière continue.

6.4 - Effacement de la mémoire

Pour effacer la mémoire de la logique de commande et rétablir les configurations d'usine, procéder de la façon suivante :

presser et maintenir enfoncées les touches « ◀ » et « ▶ » jusqu'à ce que les L1 et L2 commencent à clignoter.

7 QUE FAIRE SI... (guide pour la résolution des problèmes)

Certains dispositifs sont prévus pour émettre des signalisations avec lesquelles il est possible de reconnaître l'état de fonctionnement ou les éventuelles anomalies.

Si un clignotant est connecté à la sortie FLASH présente sur la logique, durant l'exécution d'une manœuvre, il émet un clignotement toutes les secondes. Si des anomalies se vérifient, le clignotant émet des clignotements plus rapides ; ces clignotements sont répétés deux fois avec une pause d'1 seconde. Le **Tableau 8** décrit la cause et la solution pour chaque type de signalisation.

Les leds présentes sur la logique donnent elles aussi des signalisations ; le **Tableau 9** décrit la cause et la solution pour chaque type de signalisation.

Il est possible de contrôler les éventuelles anomalies qui se sont vérifiées durant l'exécution des 8 dernières manœuvres ; se référer au **Tableau 10**.








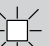




TABLEAU 8 - Signalisations émises par le clignotant (FLASH)

Clignotements	Problème	Solution
1 clignotement bref pause de 1 seconde 1 clignotement bref	Erreur sur le système Bluebus	La vérification des dispositifs connectés au système Bluebus, qui est effectuée au début de la manœuvre, ne correspond pas aux dispositifs mémorisés durant la phase de reconnaissance. Certains dispositifs peuvent être déconnectés ou en panne, il faut donc les vérifier et éventuellement les remplacer. Si des modifications ont été faites, il faut refaire la procédure de reconnaissance des dispositifs (voir paragraphe 4.6).
2 clignotements brefs pause de 1 seconde 2 clignotements brefs	Intervention d'une photocellule	Une ou plusieurs photocellules n'autorisent pas le mouvement ou ont provoqué une inversion du mouvement durant la course ; vérifier la présence éventuelle d'obstacles.
3 clignotements brefs pause de 1 seconde 3 clignotements brefs	Intervention de la fonction « Détection d'obstacles » par le limiteur de force	Durant le mouvement les moteurs ont rencontré un moment d'effort excessif ; vérifier la cause et éventuellement augmenter le niveau de force des moteurs
4 clignotements brefs pause de 1 seconde 4 clignotements brefs	Intervention de l'entrée STOP	Au début de la manœuvre ou durant le mouvement, il y a eu une intervention des dispositifs connectés à l'entrée STOP ; en vérifier la cause.
5 clignotements brefs pause de 1 seconde 5 clignotements brefs	Erreur dans les paramètres internes de la logique de commande	Attendre au moins 30 secondes puis réessayer d'envoyer une commande et éventuellement éteindre aussi l'alimentation ; si l'état persiste, il pourrait y avoir une panne grave et il faut remplacer la carte électronique.
6 clignotements brefs pause de 1 seconde 6 clignotements brefs	La limite maximum du nombre de manœuvres consécutives ou de manœuvres à l'heure a été dépassée.	Attendre quelques minutes de manière que le limiteur de manœuvres redescende sous la limite maximum.
7 clignotements brefs pause de 1 seconde 7 clignotements brefs	Anomalie sur les circuits électriques	Attendre au moins 30 secondes puis réessayer d'envoyer une commande et éventuellement éteindre aussi l'alimentation ; si l'état persiste, il pourrait y avoir une panne grave et il faut remplacer la carte électronique.
8 clignotements brefs pause de 1 seconde 8 clignotements brefs	Il y a déjà une commande qui ne permet pas d'en exécuter d'autres.	Vérifier la nature de la commande toujours présente ; par exemple, il peut s'agir de la commande provenant d'une horloge sur l'entrée « ouverture ».
9 clignotements brefs pause de 1 seconde 9 clignotements brefs	L'automatisme a été bloqué par une commande « Blocage de l'automatisme ».	Débloquer l'automatisme en envoyant la commande « Déblocage de l'automatisme ».
10 clignotements brefs pause de 1 seconde 10 clignotements brefs	Intervention de la fonction « Détection obstacles » par encodeur	Durant le mouvement, les moteurs ont été bloqués par une friction plus forte ; en vérifier la cause.

TABLEAU 9 - Signalisations des leds présentes sur la logique de commande (fig. 16)

Led	Problème	Solution
BLUEBUS		
Toujours éteinte	Anomalie	Vérifier si la logique est alimentée ; vérifier si les fusibles sont intervenus. Si c'est le cas, vérifier la causa de la panne et les remplacer par d'autres de même valeur.
Toujours allumée	Anomalie grave	Il y a un problème grave : essayer de couper l'alimentation électrique de la logique et si le problème persiste il faut remplacer la carte électronique
1 clignotement par seconde	Tout est normal	Fonctionnement normal de la logique
2 clignotements rapides	Variation de l'état des entrées	C'est normal s'il y a une variation dans l'une des entrées (PP, STOP, OPEN, CLOSE) : intervention des photocellules ou transmission d'une commande par un émetteur
Série de clignotements séparés par une pause d'1 seconde	Divers	Se référer au Tableau 8.
STOP		
Toujours éteinte	Intervention des dispositifs connectés	Vérifier les dispositifs de l'entrée STOP
Toujours allumée	à l'entrée STOP	Entrée STOP active
P.P.		
Toujours éteinte	Tout est normal	Entrée PP non active
Toujours allumée	Intervention de l'entrée P.P.	C'est normal si le dispositif connecté à l'entrée PP est actif.
OPEN		
Toujours éteinte	Everything normal	Entrée OPEN non active.
Toujours allumée	OPEN input activation	C'est normal si le dispositif connecté à l'entrée OPEN est actif.
CLOSE		
Toujours éteinte	Tout est normal	Entrée CLOSE non active.
Toujours allumée	Intervention de l'entrée CLOSE	C'est normal si le dispositif connecté à l'entrée CLOSE est actif.
L1 - L2 Clignotement lent	Variation du nombre de dispositifs connectés au Bluebus ou reconnaissance du dispositif non effectuée	Il faut effectuer la reconnaissance des dispositifs (voir paragraphe 4.6)
L3 - L4 Clignotement lent	La reconnaissance des positions des butées mécaniques n'a jamais été effectuée.	Il faut effectuer la reconnaissance (voir paragraphe 4.7).

TABLEAU 10 - Liste historique des anomalies

01. Presser et maintenir enfoncée la touche « Set » pendant environ 3 s ;	 3 s
02. Relâcher la touche quand la led « L1 » commence à clignoter ;	 L1 
03. Presser la touche « ◀ » ou « ▶ » pour se déplacer de la led clignotante à la led L8 (« led d'entrée ») pour le paramètre « Liste anomalies » ;	 ou  
04. Presser et maintenir enfoncée la touche « Set » jusqu'à la fin du point 06 ;	
05. Attendre environ 3 secondes, jusqu'à ce que les leds qui représentent les niveaux correspondant aux manœuvres qui ont présenté des anomalies s'allument. La led L1 indique le résultat de la manœuvre plus récente tandis que la led L8 indique la huitième manœuvre. Si la led est allumée, cela signifie que des anomalies se sont vérifiées, tandis que si la led est éteinte tout est normal ;	3 s 
06. Presser les touches « ◀ » et « ▶ » pour sélectionner la manœuvre désirée : la led correspondante effectue un nombre de clignotements égal à ceux normalement effectués par le clignotant ;	 et  
07. Relâcher la touche « Set ».	

8 APPROFONDISSEMENTS

HYKE peut être équipé des accessoires en option suivants : récepteurs de la famille SMXI, OXI, le programmeur Oview, le panneau à énergie solaire Solemyo et la batterie tampon mod. PS124.

8.1 - Connexion d'un récepteur radio

La logique de commande présente un connecteur pour la connexion des récepteurs radio (accessoire en option) appartenant à la famille SMXI ou OXI. Pour connecter un récepteur, il faut couper l'alimentation électrique à la logique et procéder comme illustré **fig. 17**. Les **Tableaux 11** et **Tableaux 12** indiquent les commandes qui correspondent aux sorties présentes sur la logique.

Sortie N°1	Commande « PP » (pas à pas)
Sortie N°2	Commande « Ouverture partielle 1 »
Sortie N°3	Commande « Ouverture »
Sortie N°4	Commande « Fermeture »

No.	Commande	Description
1	Pas à pas	Commande « PP » (pas à pas)
2	Ouverture partielle 1	Commande « Ouverture partielle 1 »
3	Ouverture	Commande « Ouverture »
4	Fermeture	Commande « Fermeture »
5	Stop	Arrête la manœuvre
6	Pas à pas collectif	Commande en modalité Fonctionnement collectif
7	Pas à pas haute priorité	Commande aussi avec automatisme bloqué ou commandes actives
8	Ouverture partielle 2	Ouverture partielle (ouverture du vantail M2, égale à la moitié de l'ouverture totale)
9	Ouverture partielle 3	Ouverture partielle (ouverture des deux vantaux, égale à la moitié de l'ouverture totale)
10	Ouverture et blocage de l'automatisme	Provoque une manœuvre d'ouverture et à la fin de celle-ci le blocage de l'automatisme ; la logique n'accepte aucune autre commande à l'exception de « Pas à pas haute priorité », « Déblocage de l'automatisme » ou (uniquement avec Oview) les commandes : « Déblocage et fermeture » et « Déblocage et ouverture »
11	Fermeture et blocage de l'automatisme	Provoque une manœuvre de fermeture et à la fin de l'automatisme ; la logique n'accepte aucune autre commande à l'exception de « Pas à pas haute priorité », « Déblocage de l'automatisme » ou (uniquement avec Oview) les commandes : « Déblocage et fermeture » et « Déblocage et ouverture »

12	Blocage de l'automatisme	Provoque un arrêt de la manœuvre et le blocage de l'automatisme ; la logique n'accepte aucune autre commande à l'exception de « Pas à pas haute priorité », « Déblocage de l'automatisme » ou (uniquement avec Oview) les commandes : « Déblocage et fermeture » et « Déblocage et ouverture »
13	Déblocage de l'automatisme	Provoque le déblocage de l'automatisme et le rétablissement du fonctionnement normal
14	Activation temporisateur éclairage automatique	Allumage de la sortie Éclairage automatique avec extinction temporisée
15	Marche - Arrêt éclairage automatique	Allumage et extinction de la sortie Éclairage automatique en modalité pas à pas

8.2 - Branchement et installation de la batterie tampon mod. PS124

ATTENTION ! - Le branchement électrique de la batterie à la centrale ne doit être effectué qu'après avoir conclu toutes les phases d'installation et de programmation, car la batterie représente une alimentation électrique d'urgence.

Pour installer et brancher la batterie, suivre les phases de montage illustrées à la **fig. 18**.

8.3 - Branchement du programmeur Oview

Sur la centrale est présent le connecteur BusT4 auquel il est possible de brancher l'unité de programmation Oview, qui permet une gestion complète et rapide de la phase d'installation, de maintenance et de diagnostic de toute l'automatisation. Pour accéder au connecteur, il est nécessaire de procéder comme illustré à la **fig. 19** et de brancher le connecteur dans le logement prévu à cet effet. L'Oview peut être branché à plusieurs Centrales simultanément (jusqu'à 5 sans précautions particulières, jusqu'à 60 en suivant les recommandations) et peut rester branché à la centrale durant le fonctionnement normal de l'automatisation. Dans ce cas, il peut être utilisé pour envoyer directement les commandes à la centrale en utilisant le menu "utilisateur" spécifique. Il est également possible d'effectuer la mise à jour du Firmware. Si sur la centrale est présent un récepteur radio appartenant à la famille OXI, en utilisant l'Oview il est possible d'avoir accès aux paramètres des émetteurs mémorisés dans le récepteur. Pour tous les approfondissements, consulter le respectif manuel d'instructions et le manuel du système "Opera system book".

8.4 - Connexion du système à énergie solaire Solemyo

ATTENTION ! - Quand l'automatisme est alimenté par le système « Solemyo », il NE DOIT PAS ÊTRE ALIMENTÉ simultanément aussi par le secteur électrique.

Pour plus de détails sur le système Solemyo, se référer à la notice spécifique. Pour effectuer la connexion du système Solemyo, procéder comme illustré **fig. 20**.

8.5 - Connexion du système de débrayage extérieur Kio

ATTENTION ! - Kio doit être connecté à l'opérateur qui manœuvre le vantail qui démarre en premier (en partant de la position de portail fermé).

01. Ouvrir le couvercle de l'opérateur (**fig. 21-1**) ;
02. Enlever le carter plastique de l'opérateur comme illustré **fig. 21-2** ;
03. Introduire dans le trou la vis avec l'écrou comme illustré **fig. 21-3** ;
04. Accrocher les deux extrémités du ressort comme illustré **fig. 22-4** ;
05. Introduire le câble en acier d'abord dans la vis puis dans le trou du pivot comme illustré **fig. 21-5** ;

06. Bloquer le câble en vissant la vis prévue à cet usage (fig. 21-5) ;
 07. Faire passer l'autre extrémité du câble à travers l'un des trous présents sur la partie inférieure de l'opérateur comme illustré (fig. 21-6) ;
 08. Remettre le carter en plastique puis le couvercle de l'opérateur (fig. 21-7) ;
 09. Connecter ensuite le câble à Kio en suivant les indications du guide d'installations.

04. Rebrancher les sources d'alimentation électrique et effectuer tous les essais et les contrôles prévus au chapitre 5 - Essai.

9 MAINTENANCE DU PRODUIT

Pour maintenir constant le niveau de sécurité et pour garantir la durée maximale de toute l'automatisation, une maintenance régulière est nécessaire.

La maintenance doit être effectuée dans le respect total des prescriptions sur la sécurité du présent manuel et conformément à ce qui est prévu par les lois et normes en vigueur.

Contrôler fréquemment sur le produit qu'il n'y ait pas de déséquilibres des vantaux ou de signes d'usure, ou de dommages aux câbles. Ne pas utiliser le produit au cas où des réparations ou des réglages seraient nécessaires.

Important – Durant les phases de maintenance ou d'entretien du produit, débrancher la centrale de l'alimentation électrique et des batteries si elles sont prévues.

Pour les autres dispositifs présents sur l'installation, suivre ce qui est prévu dans les respectifs plans de maintenance.

Pour les opérateurs HK7024, HK7224, HK7024HS, HK7224HS est nécessaire une maintenance programmée au maximum dans les 6 mois ou 20.000 manœuvres qui suivent la précédente maintenance.

Pour effectuer la maintenance, procéder de la façon suivante :

01. Débrancher toute source d'alimentation électrique, éventuelles batteries tampon comprises ;
02. Contrôler l'état de détérioration des pattes et des chevilles de fixation avec une attention particulière pour les phénomènes d'érosion ou d'oxydation des parties ; remplacer les parties qui ne fournissent pas de garanties suffisantes ;
03. Effectuer un essai de déblocage pour vérifier son fonctionnement correct, voir paragraphe 3.6 ;

MISE AU REBUT DU PRODUIT

Ce produit est partie intégrante de l'automatisation et doit donc être éliminé avec celle-ci.

Comme pour les opérations d'installation, même à la fin de la vie de ce produit, les opérations de démantèlement doivent être effectuées par un personnel qualifié.

Ce produit est composé de différents types de matériaux : certains peuvent être recyclés, d'autres doivent être éliminés. S'informer sur les systèmes de recyclage ou de mise au rebut prévus par les règlements en vigueur sur le territoire, pour cette catégorie de produit.

Attention ! – Certaines parties du produit peuvent contenir des substances polluantes ou dangereuses qui, si dispersées dans l'environnement, pourraient provoquer des effets nocifs sur l'environnement et sur la santé humaine.

Comme indiqué par le symbole ci-contre, il est interdit de jeter ce produit dans les déchets domestiques. Effectuer une "collecte séparée" pour la mise au rebut, selon les méthodes prévues par les règlements en vigueur sur le territoire, ou amener le produit au vendeur au moment de l'achat d'un nouveau produit équivalent.



Attention ! – les règlements en vigueur au niveau local peuvent prévoir de lourdes sanctions en cas de mise au rebut abusif de ce produit.

Mise au rebut de la batterie tampon (si présente)

Attention ! – La batterie déchargée contient des substances polluantes et ne doit pas être jetée dans les déchets communs.

Il faut l'éliminer en utilisant les méthodes de collecte séparée, prévues par les normes en vigueur dans le territoire.

Durabilité du produit

La durabilité est la vie économique moyenne du produit. La valeur de la durabilité est fortement influencée par l'indice de charge de travail des manœuvres effectuées par l'automatisme : c'est-à-dire la somme de tous les facteurs qui contribuent à l'usure du produit (voir Tableau 13).

Pour établir la durabilité probable de votre automatisme procéder de la façon suivante :

01. Calculer l'indice de charge de travail en additionnant les valeurs en pourcentage des données présentes dans le **Tableau 13** ;
02. Dans le **Graphique 3**, de la valeur qui vient d'être trouvée, tracer une ligne verticale jusqu'à l'intersection avec la courbe ; à partir de ce point tracer une ligne horizontale jusqu'à l'intersection avec la ligne des « cycles de manœuvres ». La valeur déterminée est la durabilité estimée de votre produit.

L'estimation de durabilité est effectuée sur la base des calculs de projet et des résultats d'essais effectués sur les prototypes. En effet, s'agissant d'une estimation, elle ne représente aucune garantie sur la durée effective du produit.

Exemple du calcul de durabilité d'un opérateur HYKE avec bras de longueur TOTALE (se référer au Tableau 13 et au Graphique 3) :

- longueur du vantail = 2,8 m (indice de charge de travail : 20 %) ; - poids du vantail : 230 kg (indice de charge de travail : 20 %) ; - vantail plein (indice de charge de travail : 15 %) ; Indice de charge de travail total = 55 % ; Durabilité estimée = 220.000 cycles de manœuvres

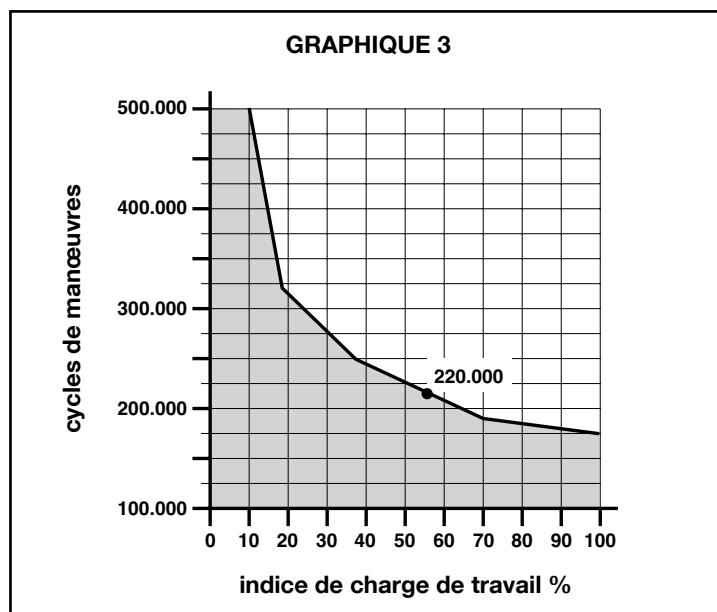


TABLEAU 13

	Indice de charge de travail		
	bras longueur TOTALE	bras longueur RÉDUITE	
Longueur du vantail	< 1,8	0%	15%
	1,8 - 2,5 m	15%	20%
	2,5 - 3 m	20%	30%
	3 - 3,5 m	30%	-
Poids du vantail	< 200 kg	0%	30%
	200 + 250 kg	20%	40%
	> 250 kg	30%	-
Température ambiante supérieure à 40 °C ou inférieure à 0 °C ou humidité supérieure à 80 %	20%	20%	
Vantail plein	15%	20%	
Installation dans une zone venteuse	15%	20%	

Note – Les données se réfèrent à une porte sectionnelle équilibrée et parfaitement entretenue.

CARACTÉRISTIQUES TECHNIQUES DU PRODUIT

AVERTISSEMENTS : • Toutes les caractéristiques techniques indiquées se réfèrent à une température ambiante de 20 °C (± 5 °C). • Nice S.p.a. se réserve le droit d'apporter des modifications au produit à tout moment si elle le jugera nécessaire, en garantissant dans tous les cas les mêmes fonctions et le même type d'utilisation prévu.

	HK7024K	HK7024KHS	HK7224K	HK7224KHS
Typologie	Opérateur électromécanique pour automatismes de portails et portes automatiques avec moteur en courant continu, réducteur épicycloïdal, débrayage mécanique. Logique de commande incorporée et récepteur radio OXI		Opérateur électromécanique pour automatismes de portails et portes automatiques avec moteur en courant continu, réducteur épicycloïdal, débrayage mécanique.	
Couple maximum	500 Nm			
Couple nominal	120 Nm			
Vitesse à vide	1.5 tr/min	2 tr/min	1.5 tr/min	2 tr/min
Fréquence maximale des cycles	40 cycles/heure			
Temps maximal du cycle continu	7 minutes environ			
Limites d'application	le produit peut être utilisé sur des portails avec vantail jusqu'à 330 kg ou d'une longueur maximale de 3.5 m	le produit peut être utilisé sur des portails avec vantail jusqu'à 270 kg ou d'une longueur maximale de 3 m	le produit peut être utilisé sur des portails avec vantail jusqu'à 330 kg ou d'une longueur maximale de 3.5 m	le produit peut être utilisé sur des portails avec vantail jusqu'à 270 kg ou d'une longueur maximale de 3 m
Durabilité	estimée entre 150 000 cycles et 500 000 cycles, suivant les conditions indiquées dans le Tableau 13 et dans le Graphique 3			
Alimentation	230 Vca ±10%; 50/60 Hz		24 Vcc (±10%)	
Alimentation de secours	Prévision pour batteries tampon PS124			
Alimentation par panneaux solaires	prévision pour Kit SYKCE			
Puissance maximum absorbée	300 W		140 W	
Courant maximum absorbé	1.5 A (3 A pour version HK7024K/V1)		6 A pour un temps maximum de 2 s	
Puissance absorbée en « Stand-by total » avec alimentation par PS124 ou kit SYKCE (récepteur OXI compris)	inférieure à 100 mW			
Sortie clignotant [*]	un clignotant LUCYB (ampoule 12 V, 21 W)			
Sortie serrure électrique [*]	une serrure électrique de 12 Vca max. 15 VA			
Sortie voyant portail ouvert [*]	une ampoule 24 V maximum 4 W (la tension de sortie peut varier de -30 à +50% et la sortie peut commander également des petits relais)			
Sortie BLUEBUS	une sortie avec charge maximum de 15 unités Bluebus (maximum 6 paires de photocellules MOFB ou MOFOB plus 2 paires de photocellules MOFB ou MOFOB adressées comme dispositifs d'ouverture plus maximum 4 dispositifs de commande MOMB ou MOTB)			
Entrée STOP	pour contacts normalement fermés, normalement ouverts ou à résistance constante 8,2 kΩ ; la sélection du type de contact s'effectue en auto-apprentissage et une variation par rapport à l'état mémorisé provoque la commande « STOP ».			
Entrée PP	pour contacts normalement ouverts (la fermeture du contact provoque la commande Pas à pas)			
Connecteur radio	connecteur « SM » pour récepteurs de la famille SMXI, OXI et OXIFM			
Entrée ANTENNE radio	50 Ω pour câble type RG58 ou similaires			
Fonctions programmables	8 fonctions de type ON-OFF (Tableau 3) et 8 fonctions réglables (Tableau 5)			
Fonctions en auto-apprentissage	<ul style="list-style-type: none"> • Auto-apprentissage des dispositifs connectés à la sortie BlueBUS. • Auto-apprentissage du type de dispositif connecté à la borne « STOP » (contact NO, NF ou résistance 8,2 kΩ). • Auto-apprentissage de la course des vantaux et calcul en automatique des points de ralentissement et d'ouverture partielle. • Auto-apprentissage du fonctionnement à un ou deux moteurs 			
Montage	Vertical, avec une plaque de fixation spécifique			
Température de fonctionnement	de -20 °C à +50 °C (aux basses températures l'efficacité de l'opérateur diminue)			
Utilisation dans une atmosphère particulièrement acide ou saline ou bien potentiellement explosive	NON			
Indice de protection	IP 54 (avec boîtier intact)			
Dimensions (mm)	210 x 290 x h 320			
Poids (kg)	10.5		9.5	
[*]	Les sorties Clignotant, Serrure Électrique, Voyant Portail Ouvert peuvent être programmées avec d'autres fonctions (voir « TABLEAU 3 - Fonctions 1 ^{er} niveau » ; ou à l'aide du programmeur Oview, voir paragraphe 8.3). Les caractéristiques électriques des sorties s'adaptent suivant le type de fonction choisie : • fonction clignotant : ampoule 12 Vcc, 21 W max. ; • fonction serrure électrique : 12 Vca 15 VA max. ; • autres sorties (tous les types) : 1 ampoule ou relais 24 Vcc (-30 et +50 %), 4 W max.			

DÉCLARATION CE DE CONFORMITÉ et déclaration d'incorporation de « quasi-machine »

Déclaration conformément aux Directives : 2006/95/CE (LVD) ; 2004/108/CE (EMC) ; 2006/42/CE (MD) annexe II, partie B

Note - Le contenu de cette déclaration correspond à ce qui est déclaré dans la dernière révision disponible - avant l'impression de la présente notice technique - du document officiel déposé au siège de Nice S.p.a. Le présent texte a été réélaboré pour des raisons d'édition. Une copie de la déclaration originale peut être demandée à Nice S.p.a. (TV) I.

Numéro déclaration : 334/HYKE

Révision : 4

Langue : FR

Nom producteur : NICE s.p.a.
Adresse : Via Pezza Alta 13, Z.I. Rustignè, 31046 Oderzo (TV) Italie
Personne autorisée à constituer la documentation technique NICE s.p.a.
Type de produit : Opérateur électromécanique « HYKE » avec logique de commande incorporée
Modèle / Type : HK7024, HK7224, HK7024HS, HK7224HS
Accessoires : SMXI, OXI, PS124, Oview

Je soussigné Mauro Sordini en qualité d'Chief Executive Officer, déclare sous mon entière responsabilité que le produit susmentionné est conforme aux dispositions imposées par les directives suivantes :

- DIRECTIVE 2004/108/CE DU PARLEMENT EUROPÉEN ET DU CONSEIL du 15 décembre 2004 concernant le rapprochement des législations des États membres relatives à la compatibilité électromagnétique et qui abroge la directive 89/336/CEE, selon les normes harmonisées suivantes : EN 61000-6-2:2005, EN 61000-6-3:2007+A1:2011

De plus, le produit est conforme à la directive suivante, selon les exigences prévues pour les « quasi-machines » :

- Directive 2006/42/CE DU PARLEMENT EUROPÉEN ET DU CONSEIL du 17 mai 2006 relative aux machines et qui modifie la directive 95/16/CE (refonte).
 - Nous déclarons que la documentation technique pertinente a été remplie conformément à l'annexe VII B de la directive 2006/42/CE et que les conditions essentielles suivantes ont été respectées : 1.1- 1.1.2- 1.1.3- 1.2.1-1.2.6- 1.5.1-1.5.2- 1.5.5- 1.5.6- 1.5.7- 1.5.8- 1.5.10- 1.5.11
 - Le producteur s'engage à transmettre aux autorités nationales, suite à une demande dûment motivée, les informations pertinentes sur la « quasi-machine », sans que cela porte préjudice à ses droits de propriété intellectuelle.
 - Si la « quasi-machine » est mise en service dans un pays européen avec une langue officielle différente utilisée dans la présente déclaration, l'importateur a l'obligation d'associer à la présente déclaration la traduction correspondante.
 - Il est précisé que la « quasi-machine » ne doit pas être mise en service tant que la machine finale dans laquelle elle doit être incorporée n'a pas été elle-même déclarée conforme aux dispositions pertinentes de la directive 2006/42/CE.

De plus, le produit est conforme aux normes suivantes :

EN 60335-1:2002 + A1:2004 + A11:2004 + A12:2006 + A2:2006 + A13:2008 + A14:2010 + A15:2011
EN 60335-2-103:2003+A11:2009

Le produit s'avère conforme, limitativement aux parties applicables, aux normes suivantes :

EN 13241-1:2003+A1:2011, EN 12445:2002, EN 12453:2002, EN 12978:2003+A1:2009

Oderzo, 5 novembre 2014

Ing. Mauro Sordini (Chief Executive Officer)



Índice

Imágenes

1 - ADVERTENCIAS Y PRECAUCIONES GENERALES	1
1.1 - Advertencias de seguridad.....	1
1.2 - Advertencias para la instalación.....	1
1.3 - Advertencias para el uso.....	1
2 - DESCRIPCIÓN DEL PRODUCTO Y USO PREVISTO	1
3 - INSTALACIÓN	2
3.1 - Controles preliminares a la instalación.....	2
3.2 - Límites de utilización.....	2
3.3 - Trabajos de predisposición para la instalación.....	2
3.4 - Instalación del motorreductor mod. HK7024 - HK7224 - HK7024HS - HK7224HS.....	2
3.5 - Regulación de los fines de carrera mecánicos.....	4
3.6 - Desbloqueo y bloqueo manual del motorreductor.....	4
4 - CONEXIONES ELÉCTRICAS	4
4.1 - Conexiones eléctricas del motorreductor con la central mod. HK7024 - HK7024HS.....	4
4.2 - Conexión del motorreductor sin la central mod. HK7224 - HK7224HS.....	4
4.3 - Conexión de otros dispositivos.....	5
4.4 - Direccionamiento de los dispositivos conectados.....	5
4.5 - Primer encendido y control de las conexiones.....	5
4.6 - Aprendizaje de los dispositivos conectados.....	5
4.7 - Aprendizaje de las posiciones de los fines de carrera mecánicos.....	5
4.8 - Control del movimiento de las hojas de la cancela.....	6
5 - ENSAYO Y PUESTA EN SERVICIO	6
5.1 - Ensayo.....	6
5.2 - Puesta en servicio.....	7
6 - PROGRAMACIÓN DE LA CENTRAL DE MANDO	7
6.1 - Programación del primer nivel (ON-OFF).....	7
6.2 - Programación del segundo nivel (parámetros regulables).....	8
6.3 - Funciones especiales.....	9
6.4 - Borrado de la memoria.....	9
7 - QUÉ HACER SI... (guía para solucionar los problemas)	9
8 - OTRAS INFORMACIONES	11
8.1 - Conexión de un receptor.....	11
8.2 - Conexión e instalación de la batería compensadora mod. PS124.....	11
8.3 - Conexión del programador Oview.....	11
8.4 - Conexión del sistema de energía solar Solemyo.....	11
8.5 - Conexión del sistema de desbloqueo exterior Kio.....	11
9 - MANTENIMIENTO DEL PRODUCTO	12
ELIMINACIÓN DEL PRODUCTO	12
Durabilidad del producto	12
CARACTERÍSTICAS TÉCNICAS DEL PRODUCTO	13
DECLARACIÓN DE CONFORMIDAD CE	14
ANEXO	1
Instrucciones y advertencias destinadas al usuario.....	V

1 ADVERTENCIAS Y PRECAUCIONES GENERALES

1.1 - Advertencias de seguridad

- **¡ATENCIÓN!** – Este manual contiene importantes instrucciones y advertencias acerca de la seguridad. Una instalación incorrecta puede causar graves lesiones. Antes de iniciar los trabajos, es necesario leer detenidamente todas las partes del manual. En caso de dudas, interrumpa la instalación y solicite información al Servicio de Asistencia Nice.
- **¡ATENCIÓN!** – Instrucciones importantes: conserve este manual para posibles intervenciones de mantenimiento y eliminación del producto.
- **¡ATENCIÓN!** – Según la más reciente legislación europea, la ejecución de un portón o puerta automática debe cumplir las normas previstas por la Directiva 2006/42/CE (ex 98/37/CE) (Directiva de Máquinas) y, en concreto, las normas EN 12445; EN 12453; EN 12635 y EN 13241-1, que permiten declarar la conformidad del automatismo. Considerando lo anterior, todas las operaciones de instalación, conexión, ensayo y mantenimiento del producto deberán ser realizadas únicamente por un técnico cualificado y competente.

1.2 - Advertencias de instalación

- Antes de comenzar la instalación, compruebe si el producto es apto para el tipo de uso deseado (véanse los "Límites de uso" en el párrafo 3.2 y las "Características técnicas del producto"). Si no es apto, NO continúe con la instalación.
- El contenido de este manual se refiere a un sistema típico como aquel que se muestra en la **fig. 3**.
- **Todas las operaciones de instalación y mantenimiento deben efectuarse con el automatismo desconectado de la alimentación eléctrica.** Si el dispositivo de desconexión de la alimentación no resulta visible desde el lugar en el que está situado el automatismo, antes de comenzar los trabajos es necesario fijar al dispositivo de desconexión un cartel con el mensaje "¡ATENCIÓN! MANTENIMIENTO EN CURSO".
- La central debe ser conectada a una línea de alimentación eléctrica dotada de puesta a tierra de seguridad.
- Durante la instalación, maneje con cuidado el producto, evitando aplastamientos, golpes, caídas o el contacto con líquidos de cualquier tipo. No coloque el producto cerca de fuentes de calor ni lo exponga a llamas libres. Todas estas acciones pueden dañarlo y provocar funcionamientos defectuosos o situaciones de peligro. Si ocurriese esto, interrumpa inmediatamente la instalación y acuda al Servicio de Asistencia Nice.
- No efectúe modificaciones en ninguna parte del producto. Las operaciones no permitidas no pueden causar más que funcionamientos defectuosos. El fabricante declina toda responsabilidad por daños derivados de modificaciones arbitrarias del producto.
- Si la puerta o portón que se desea automatizar incluye una puerta peatonal, es necesario preparar la instalación con un sistema de control que deshabilite el funcionamiento del motor cuando la puerta peatonal esté abierta.
- El material del embalaje del producto debe eliminarse cumpliendo plenamente la normativa local.

1.3 - Advertencias de uso

- El producto no está destinado a su uso por parte de personas (niños incluidos) cuyas capacidades físicas, sensoriales o mentales se hallen disminuidas, o que carezcan de la experiencia o conocimientos necesarios, a no ser que una persona responsable de su seguridad les proporcione supervisión o instrucciones acerca del uso del producto.
- Es necesario mantener vigilados a los niños que se encuentren cerca de la automatismo; asegúrese de que no jueguen con él.
- No permita que los niños jueguen con los dispositivos de mando fijos. Mantenga los dispositivos de mando portátiles (remotos) fuera del alcance de los niños.

2 DESCRIPCIÓN DEL PRODUCTO Y USO PREVISTO

Los dispositivos que componen este producto están destinados a la automatización de una puerta o portón de una o dos hojas. **¡ATENCIÓN!** - **Cualquier uso distinto del descrito y en condiciones ambientales diferentes de las descritas en este manual se considerará impropio y queda prohibido.**

La parte principal del automatismo consta de uno o dos motorreductores electromecánicos (dependiendo del número de hojas que se vaya a automatizar), cada uno de ellos dotado de un motor de corriente continua y un reductor planetario. Uno de los motorreductores (mod. HK7024 - HK7024HS) incluye una central de mando que gestiona su funcionamiento. La central se compone de una tarjeta con radioreceptor, para la recepción de mandos enviados desde el transmisor. La central está preparada para su conexión a diversos dispositivos pertenecientes al Sistema Opera, al sistema Bluebus y al sistema de alimentación por energía solar Solemyo, véase el capítulo 8 - Otras informaciones.

Si se alimenta mediante la red eléctrica, puede alojar una batería compensadora (mod. PS124, accesorio opcional), que en caso de interrupción de la energía eléctrica (apagón eléctrico) permite que el automatismo efectúe algunas maniobras durante las horas que siguen. En caso de interrupción de la energía eléctrica, es posible mover las hojas de la puerta desbloqueando el motorreductor con la llave correspondiente; para efectuar la maniobra manual, véase el capítulo 3.6.

Otros accesorios disponibles son los receptores preparados con conexión "SM" (SMXI, OXI, etc.), véase el capítulo 8 - Otras informaciones.

3 INSTALACIÓN

3.1 - Comprobaciones previas a la instalación

Antes de comenzar la instalación, es necesario comprobar la integridad de los componentes del producto, la adecuación del modelo elegido y la idoneidad del ambiente destinado a su instalación:

- Compruebe que todo el material que se vaya a utilizar esté en perfecto estado y que sea apto para el uso previsto.
- Compruebe que la instalación incluya los topes mecánicos de suelo (no incluidos), tanto de cierre como de apertura.
- Compruebe que la estructura mecánica de la puerta sea apta para su automatización y conforme a las normas vigentes en el territorio (en caso necesario consulte los datos indicados en la etiqueta de la puerta). Este producto no puede automatizar una puerta que no sea eficiente y segura de por sí; además, no puede resolver defectos causados por una instalación incorrecta de la puerta o por un mantenimiento deficiente de esta.
- Compruebe que las condiciones de funcionamiento de los dispositivos sean compatibles con los límites de uso declarados (véase el párrafo 3.2).
- Mueva manualmente las hojas de la puerta en ambas direcciones y asegúrese de que el movimiento se produzca con una fricción constante en todos los puntos de la carrera (no debe haber puntos que requieran un esfuerzo mayor o menor).
- Ponga manualmente las hojas de la puerta en una posición cualquiera; luego déjelas detenidas y asegúrese de que no se muevan.
- Compruebe que la zona de fijación del motorreductor sea compatible con las medidas totales de este (fig. 1).
- Asegúrese de que en el ambiente en el que se debe instalar el motorreductor haya espacio suficiente para la rotación completa de su brazo.
- Asegúrese de que en la zona cercana al motorreductor haya espacio suficiente para efectuar la maniobra manual de desbloqueo del motorreductor.
- Asegúrese de que las superficies elegidas para instalar los diversos dispositivos sean sólidas y capaces de garantizar una fijación estable.
- Asegúrese de que cada uno de los dispositivos a instalar sea colocado en una posición protegida y resguardada contra golpes accidentales.
- Compruebe que todos los cables eléctricos utilizados sean del tipo indicado en la **Tabla 1**.

3.2 - Límites de utilización

Antes de instalar el motorreductor, controle que los datos respectivos estén dentro de los límites de utilización indicados a continuación y dentro de los límites de los valores indicados en el capítulo "Características técnicas del producto":

Con el brazo del motor de longitud ENTERA:

- anchura máxima de la hoja: 3,50 m (peso máximo de la hoja: 200 kg)

Con el brazo del motor de longitud CORTA:

- anchura máxima de la hoja: 3,00 m (peso máximo de la hoja: 180 kg)

VERSIÓN HS:

Con el brazo del motor de longitud ENTERA o REDUCIDA:

- anchura máxima de la hoja: 3,00 m (peso máximo de la hoja: 180 kg)

- Control que se debe efectuar: indique en el **Gráfico 1** de aquí al lado el peso y la anchura de la hoja; a partir de estos puntos, trace dos líneas y controle que éstas se crucen en una de las dos áreas grises del gráfico. ¡Atención! - Si las líneas se cruzaran en el área blanca, este producto no se podrá utilizar para automatizar la cancela.

• Para poder instalar el motorreductor, la anchura mínima del pilar debe ser de 210 mm.

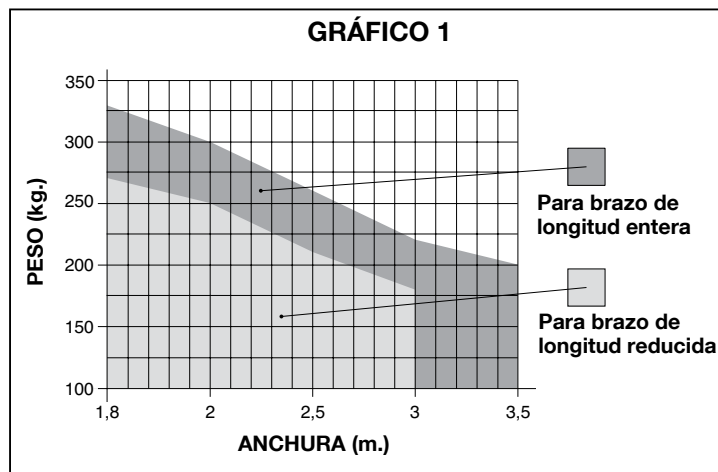
• El estribo de fijación del brazo debe estar en una zona robusta de la hoja (por ejemplo el bastidor), a fin de garantizar una fijación sólida y segura;

• Controle la medida "E" (fig. 2):

- Si la medida "E" es un valor comprendido entre 300 mm (mínimo) y 650

mm (máximo), habrá que regular el brazo del motorreductor con la longitud CORTA. En dichas condiciones, la medida de la apertura máxima de la hoja podrá llegar hasta 90°.

- Si la medida "E" es un valor igual o mayor que 650 mm, habrá que regular el brazo del motorreductor con la longitud ENTERA. En dichas condiciones, la medida de la apertura máxima de la hoja podrá llegar hasta 110°.



3.3 - Trabajos de predisposición para la instalación

En la **fig. 3** se muestra un ejemplo de un sistema de automatización realizado con componentes Nice (algunos componentes podrían no estar presentes en el kit):

- a - Motorreductor con central mod. HK7024 - HK7024HS
- b - Motorreductor sin central mod. HK7224 - HK7224HS
- c - Luz intermitente
- d - Par de fotocélulas mod. MOFB
- e - Botonera digital (mod. MOTB) - Lector por transponder (mod. MOMB) - Selector de llave (mod. MOSE)
- f - Par de columnas para fotocélulas
- g - Tope mecánico de cierre
- h - Electrocerradura

Estos componentes están colocados según un esquema típico y habitual. Tomando como referencia la **fig. 3**, establezca la posición aproximada donde será instalado cada uno de los componentes previstos en el sistema. **Importante** - Antes de realizar la instalación, prepare los cables eléctricos necesarios para el sistema, tomando como referencia la **fig. 4** y la "**Tabla 1 - Características técnicas de los cables eléctricos**".

Atención - Durante el montaje de los tubos para el paso de los cables eléctricos, tenga en cuenta que, por motivos de posibles depósitos de agua en las arquetas de derivación, los tubos de conexión podrían crear condensados dentro de la central y dañar los circuitos electrónicos.

3.4 - Instalación del motorreductor mod. HK7024 - HK7224 - HK7024HS - HK7224HS

ADVERTENCIAS

- Una instalación incorrecta podría provocar heridas graves a la persona que realice el trabajo y a las personas que utilicen el sistema.
- Antes de ensamblar el automatismo, realice los controles preliminares descritos en los párrafos 3.1 y 3.2.

Antes de comenzar la instalación, determine la longitud del brazo del motorreductor, véase el párrafo 3.4.1.

3.4.1 - Determinación de la longitud del brazo del motorreductor

01. Ensamble los componentes que constituyen el brazo del motor, tal como se muestra en la **fig. 5**;
02. Establezca la posición del motorreductor en sentido VERTICAL:

TABLA 1 - Características técnicas de los cables eléctricos (fig. 4)

Conexión	Tipo de cable	Longitud máxima admitida
A: Cable ALIMENTACIÓN CENTRAL DE MANDO	1 cable 3 x 1,5 mm ²	30 m (nota 1)
B: Cable ELECTROCERRADURA	1 cable 2 x 1 mm ²	6 m
C: Cable DISPOSITIVOS BLUEBUS	1 cable 2 x 0,5 mm ²	20 m (nota 2)
D: Cable SELECTOR DE LLAVE	2 cables 2 x 0,5 mm ² (nota 3)	50 m
E: Cable ALIMENTACIÓN MOTORREDUCTOR Cable CONEXIÓN ENCODER	1 cable 3 x 1,5 mm ² (nota 4) 1 cable 2 x 1 mm ² (nota 4)	10 m 10 m
F: Cable LUZ INTERMITENTE con antena	1 cable 2 x 0,5 mm ² 1 cable blindado tipo RG58	20 m 20 m (aconsejado menos de 5 m)

Nota 1 - Si el cable de alimentación midiera más de 30 m, tendrá que utilizar un cable de sección más grande (3 x 2,5 mm²) y habrá que instalar una puesta a tierra de seguridad cerca del automatismo.

Nota 2 - Si el cable Bluebus midiera más de 20 m hasta un máximo de 40 m, tendrá que utilizar un cable de sección más grande (2 x 1 mm²).

Nota 3 - Estos 2 cables pueden sustituirse por un único cable de 4 x 0,5 mm².

Nota 4 - Estos cables pueden sustituirse por un único cable de 5 x 1,5 mm².

¡ATENCIÓN! - Los cables utilizados deben ser adecuados para el tipo de entorno donde serán instalados.

traced una línea horizontal en el pilar, a la misma altura en que deberá estar el estribo de fijación del brazo en la hoja, después de la instalación (fig. 6).

03. Establezca la posición del motorreductor en sentido HORIZONTAL (medida A):

¡ATENCIÓN! – Si en las cercanías de la zona de instalación hubiera un obstáculo fijo (muro, árbol, etc.), habrá que medir la **medida E** (fig. 2) y proceder de la siguiente manera:

- Si la medida E es un valor igual o mayor que 650 mm, véase el párrafo 3.4.2
- Si la medida E es un valor comprendido entre 300 mm (mínimo) y 650 mm (máximo), véase el párrafo 3.4.3

3.4.2 - Instalación del motorreductor con BRAZO DE LONGITUD ENTERA

01. a) Mida en el pilar la **medida B** (fig. 7) = distancia entre el eje de rotación de la hoja y la superficie del pilar donde se fijará el estribo posterior del motorreductor.
b) Coloque la hoja en la posición de apertura deseada (máximo 110°): valor del ángulo.

c) Marque en el **Gráfico 2** la **medida B** encontrada y trace desde este punto una línea horizontal hasta interceptar el **área** que comprende el valor del ángulo medido en el punto **b**.

d) En los puntos de intercepción, entre la **línea horizontal** y el **área**, trace líneas verticales determinando los valores que se pueden utilizar para la **medida A** (fig. 8). **Posteriormente, seleccione en este rango un valor de A.**

e) Marque en el pilar el valor encontrado de la **medida A** y trace una línea vertical en correspondencia.

02. Fije el estribo en el pilar (fig. 9):

f) etapas 1-2: apoye el estribo sobre el pilar, haciendo coincidir su línea central vertical con la línea vertical trazada anteriormente (medida A), y su brazo con la línea horizontal trazada en el procedimiento indicado en el párrafo 3.4.1. En esta etapa, controle que el motorreductor esté perfectamente nivelado: un motorreductor descentrado podría provocar problemas de funcionamiento en el automatismo.

g) etapas 3-4: marque los puntos de fijación, taladre la superficie del pilar e introduzca los tacos; entonces, fije el estribo utilizando los tornillos y las arandelas adecuados.

03. Fije el brazo del motorreductor en la hoja:

h) Coloque la hoja de la cancela en la posición de cierre máximo;

i) etapa 5: fije el motorreductor al estribo con los dos tornillos y las tuercas suministrados;

l) Desbloquee el motorreductor; véase el cap. 3.6;

m) etapa 6: empuje con fuerza el brazo del motorreductor **hasta su máxima extensión. ¡Atención!** - Controle que el brazo se bloquee en su fin de carrera;

n) Acerque el brazo a la hoja, apoyando en esta última el estribo de fijación.

o) etapa 7: controle que el brazo del motorreductor esté nivelado y marque con un lápiz **el centro** del perfil de los agujeros alargados del estribo, a fin de poder, posteriormente, regular de manera precisa el cierre de la hoja (véase el párrafo 4.8).

p) Sujetando con una mano el estribo contra la hoja, pruebe a realizar un movimiento de apertura y de cierre completos.

q) etapa 8: taladre la hoja en los puntos marcados y separe el estribo del brazo para fijarlo a la hoja de la cancela con los tornillos correspondientes.

r) etapa 9: fije el brazo al estribo, introduciendo el perno y el anillo elástico de seguridad. **Importante** – Controle que el estribo y el brazo estén perfectamente nivelados. De ser necesario, afloje los tornillos del estribo y nivele de nuevo.

s) Coloque los topes de fin de carrera mecánicos; véase el cap. 3.5;

t) etapa 10: por último, coloque manualmente la hoja de la cancela en la mitad de su carrera y bloquee el motorreductor con la llave correspondiente (véase el cap. 3.6). Posteriormente, desplace con la mano la hoja

algunos centímetros en dirección de la apertura.

04. Si la cancela que se debe automatizar es de dos hojas, para instalar el otro motorreductor, repita todas las operaciones descritas en este capítulo 3.4

3.4.3 - Instalación del motorreductor con BRAZO DE LONGITUD CORTA

¡Atención! – Con esta configuración, la apertura máxima de la hoja admitida es de 90°.

01. a) Mida en el pilar la **medida B** (fig. 7) = distancia entre el eje de rotación de la hoja y la superficie del pilar donde se fijará el estribo posterior del motorreductor.

b) Marque en el **Gráfico 2** la **medida B** encontrada y trace desde este punto una línea horizontal hasta interceptar el **área** con un rango comprendido entre 90° y 95°.

c) En los puntos de intercepción, entre la **línea horizontal** y el **área**, trace líneas verticales determinando los valores que se pueden utilizar para la **medida A** (gráfico 2). **Posteriormente, seleccione en este rango un valor de A.**

d) Marque en el pilar el valor encontrado de la **medida A** y trace una línea vertical en correspondencia.

02. Fije el estribo en el pilar (fig. 10):

e) etapas 1-2: apoye el estribo sobre el pilar, haciendo coincidir su línea central vertical con la línea vertical trazada anteriormente (medida A), y su brazo con la línea horizontal trazada en el procedimiento indicado en el párrafo 3.4.1. En esta etapa, controle que el motorreductor esté perfectamente nivelado: un motorreductor descentrado podría provocar problemas de funcionamiento en el automatismo.

f) etapas 3-4: marque los puntos de fijación, taladre la superficie del pilar e introduzca los tacos; entonces, fije el estribo utilizando los tornillos y las arandelas adecuados.

g) Coloque la hoja de la cancela en la posición de cierre máximo;

h) etapa 5: fije el motorreductor al estribo con los dos tornillos y las tuercas suministrados;

i) Desbloquee el motorreductor; véase el cap. 3.6;

03. Control de la longitud del brazo con agujeros alargados respecto del entorno:

l) etapa 6: acerque el brazo a la hoja, apoyando en esta última el estribo de fijación: **¡atención!** - **empuje con las manos el brazo curvo contra la hoja, hasta bloquear el brazo (apertura máxima).**

m) etapa 7: controle que el brazo del motorreductor esté nivelado y marque con un lápiz **el centro** del perfil de los agujeros alargados del estribo, a fin de poder, posteriormente, regular de manera precisa el cierre de la hoja (véase el párrafo 4.8).

n) Fije provisoriamente el estribo en la hoja y coloque esta última en la posición de apertura máxima.

04. Fije el brazo del motorreductor en la hoja:

i) etapa 8: taladre la hoja en los puntos marcados.

p) etapas 9-10: quite el estribo del brazo para fijarlo a la hoja de la cancela con los tornillos correspondientes.

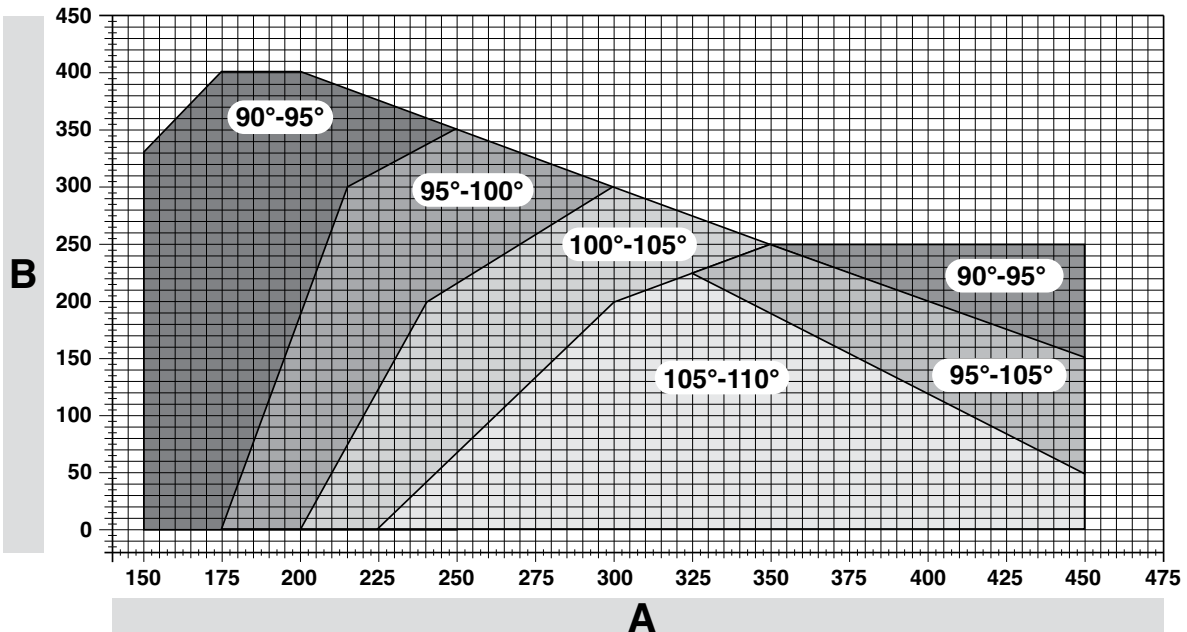
q) etapa 11: fije el brazo al estribo, introduciendo el perno y el anillo elástico de seguridad. **Importante** - Controle que el estribo y el brazo estén perfectamente nivelados. De ser necesario, afloje los tornillos del estribo y nivele de nuevo.

r) Coloque los topes de fin de carrera mecánicos; véase el cap. 3.5.

s) etapa 12: por último, coloque manualmente la hoja de la cancela en la mitad de su carrera y bloquee el motorreductor con la llave correspondiente (véase el cap. 3.6). Posteriormente, desplace con la mano la hoja algunos centímetros en dirección de la apertura.

05. Si la cancela que se debe automatizar es de dos hojas, para instalar el otro motorreductor, repita todas las operaciones descritas en este capítulo 3.4

GRÁFICO 2



3.5 - Regulación de los fines de carrera mecánicos

- Coloque manualmente las hojas de la cancela en la posición de apertura máxima;
- Gire el disco de plástico, situado en la parte inferior del motorreductor, colocando la ranura debajo del brazo en la posición que se muestra en la **fig. 11-1**;
- Monte el fin de carrera en la primera posición posible; pruebe a colocarlo como se muestra en la **fig. 11-2** (dirección de apertura);
- Gire el disco para que el fin de carrera no se caiga, colocando la ranura en la posición que se muestra en la **fig. 11-3**; para una regulación más precisa, utilice el tornillo de regulación (**fig. 11-4**);
- Si el sistema no incorpora el tope de cierre del suelo, habrá que repetir el procedimiento a partir del punto 01, incluso para la regulación del fin de carrera de cierre;
- Por último, enrosque hasta el fondo la tuerca de fijación del disco (**fig. 11-5**) para asegurarse de que no pueda girar accidentalmente.

3.6 - Desbloqueo y bloqueo manual del motorreductor

El motorreductor está equipado con un sistema de desbloqueo mecánico que permite abrir y cerrar la cancela manualmente.

Estas operaciones manuales deben llevarse a cabo si se cortara la corriente eléctrica, si se produjeran desperfectos en el funcionamiento o durante las etapas de instalación.

Desbloqueo (fig. 12-A):

- Coloque la llave en la cerradura respectiva;
- Gire la llave en el sentido horario (90°);
- La palanca sale por efecto de un muelle: gire la palanca 90° en el sentido antihorario;
- Entonces, la hoja se podrá mover manualmente hacia la posición deseada.

Bloqueo (fig. 12-B):

- Gire la palanca 90° colocando el mango en la posición vertical;
- Empuje la palanca hasta su alojamiento;
- Gire la llave 90° en el sentido antihorario y extraiga la llave.

4 CONEXIONES ELÉCTRICAS

La conexión eléctrica de los distintos dispositivos (fotocélulas, botoneras digitales, lectores de tarjetas por transponder, etc.), presentes en el automatismo con la central de mando, debe hacerse mediante el sistema "Bluebus" de Nice.

Descripción de las conexiones eléctricas (fig. 13)

ANTENA	entrada para la antena de un receptor
FLASH	salida para una luz intermitente con bombilla de 12 V (máximo 21 W). [*]
ELS	salida para electrocerradura de 12 Vac (máximo 15 VA). [*]
S.C.A.	"Indicador Cancela Abierta": salida para una bombilla de señalización de 24V y 4W como máximo. [*]
BLUEBUS	entrada para dispositivos compatibles (MOFB, MOFOB, MOB y MOTB); conexión en paralelo de los dispositivos mediante 2 conductores por los cuales pasa la alimentación eléctrica y las señales de comunicación; no hay que respetar ninguna polaridad. La conexión eléctrica a utilizar es paralela y no necesita respetar la polaridad. Durante la etapa de aprendizaje, cada dispositivo conectado a la central será reconocido individualmente por ésta gracias a un código unívoco. Cada vez que se añada o elimine un dispositivo, habrá que hacer que la central memorice dicho dispositivo (véase el párrafo 4.6).
STOP	<p>entrada para los dispositivos que al accionarse provocan la parada inmediata del movimiento que se está ejecutando en ese momento, seguido de una breve inversión; posibilidad de conectar contactos NA, NC o bien dispositivos con salida con resistencia constante 8,2 kΩ (bandas sensibles). Cada dispositivo conectado a esta entrada será reconocido individualmente por la central durante el aprendizaje (párrafo 3.4); en esta etapa, si la central detectara una variación respecto del estado memorizado, provocará una PARADA. A esta entrada se le pueden conectar uno o varios dispositivos incluso diferentes entre sí:</p> <ul style="list-style-type: none"> conecte en paralelo varios dispositivos NA, sin límites de cantidad; conexión en serie de varios dispositivos NC, sin límite de cantidad; conecte en paralelo dos dispositivos con salida de resistencia constante 8,2 kΩ. Si hubiera más de dos dispositivos, habrá que conectarlos en cascada a una sola resistencia de terminación de 8,2 kΩ; conecte en paralelo dos dispositivos NA y NC, colocando una resistencia de 8,2 kΩ en serie al contacto NC (esto permite la combinación entre tres dispositivos NA - NC y 8,2 kΩ).

P.P.	entrada para los dispositivos de mando que al activarse provocan el movimiento con modalidad Paso a Paso; posibilidad de conectar contactos tipo NA.
OPEN	entrada para los dispositivos de mando que al activarse provocan sólo el movimiento de apertura; posibilidad de conectar contactos tipo NA
CLOSE	entrada para los dispositivos de mando que al activarse provocan sólo el movimiento de cierre; posibilidad de conectar contactos tipo NA
ENC1	entrada encoder - motorreductor 1 (bornes 1, 2); no hay que respetar ninguna polaridad
ENC2	entrada encoder - motorreductor 2 (bornes 4, 5); no hay que respetar ninguna polaridad
M1	salida para motorreductor 1 (bornes 7, 8, 9)
M2	salida para motorreductor 2 (bornes 10, 11, 12).

[*] Las salidas FLASH, ELS y S.C.A. pueden programarse con otras funciones (véase la "TABLA 3 - Funciones de 1° nivel"; o bien mediante el programador Oview, véase el capítulo 8.3).

4.1 - Conexiones eléctricas del motorreductor con la central mod. HK7024 - HK7024HS

¡Atención! - Realice las conexiones eléctricas únicamente después de haber instalado el motorreductor.

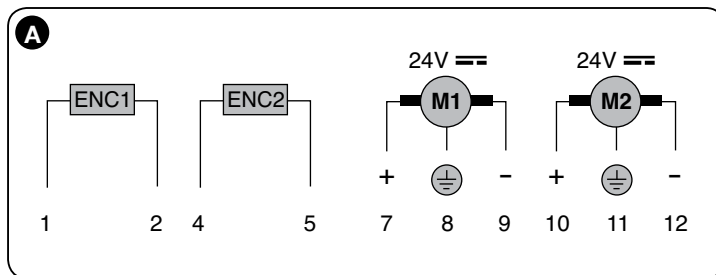
¡ADVERTENCIAS!

- Las operaciones de conexión deben ser realizadas exclusivamente por personal cualificado.

- Todas las conexiones eléctricas deben hacerse con la corriente eléctrica de red desactivada y con la batería compensadora desconectada, si estuviera presente en el automatismo.

- En la línea eléctrica de alimentación es necesario montar un dispositivo que asegure la desconexión completa del automatismo de la red. El dispositivo de desconexión deberá tener una distancia de apertura entre los contactos que permita una desconexión completa en las condiciones previstas por la categoría de sobretensión III, de conformidad con las reglas de instalación. Si fuera necesario, este dispositivo deberá garantizar una desconexión rápida y segura de la alimentación; por dicho motivo, debe estar a la vista del automatismo. Por el contrario, si se montara en una posición no visible, deberá tener un sistema que bloquee una reconexión accidental o no autorizada de la alimentación, a fin de evitar cualquier tipo de peligro. El dispositivo de desconexión no se entrega junto con el producto.

- Abra la tapa (**fig. 14-1**);
 - Levante la central (**fig. 14-2**);
 - Pase el cable de alimentación y los demás cables eléctricos a través de uno de los agujeros presentes en la parte inferior del motorreductor; es necesario cortar el revestimiento presente (**fig. 14-4**);
 - Desenrosque el prensaestopas y acomode el cable de alimentación en el carril correspondiente (**fig. 14-5**);
 - Conecte primero el cable de alimentación, véase la **fig. 14-6**;
 - Bloquee el cable de alimentación con el prensaestopas (**fig. 14-7**);
 - Entonces, conecte los cables eléctricos de los motores M1 y M2, respetando los símbolos de la etiqueta (**fig. A**):
 - conecte al **borne M1** (7-8-9) el motor que acciona la hoja inferior (la **segunda** que comienza el movimiento de apertura) y, posteriormente, conecte el encoder respectivo a los bornes 1-2;
 - conecte al **borne M2** (10-11-12) el motor que acciona la hoja superior (la **primera** que comienza el movimiento de apertura) y, posteriormente, conecte el encoder respectivo a los bornes 4-5;
- ¡IMPORTANTE!** - Si en el sistema hubiera un solo motorreductor, conéctelo al borne M2 dejando libre el borne M1;



- Entonces, conecte los cables eléctricos de los demás dispositivos presentes, tomando como referencia la **fig. 17** y véase el párrafo 4.3. **Nota** - Para facilitar las conexiones de los cables es posible quitar los bornes de sus alojamientos.
- Cierre la tapa del motorreductor (**fig. 14-8**).

4.2 - Conexión del motorreductor sin la central mod. HK7224 - HK7224HS

- Abra la tapa tal como se muestra en la **fig. 15-1**;
- Pase el cable del motor a través de uno de los agujeros presentes en la parte inferior del motorreductor; es necesario cortar el revestimiento presente (**fig. 15-2**);

03. Desenrosque el prensaestopas (fig. 15-3), acomode el cable en el carril correspondiente y conecte los cables tal como se muestra en la fig. 16-4; respete los símbolos de la etiqueta;

03. Bloquee el cable con el prensaestopas (fig. 15-5);

04. Cierre la tapa del motorreductor (fig. 15-6).

4.3 - Conexión de otros dispositivos

Si fuera necesario alimentar otros dispositivos montados en la instalación, por ejemplo un lector de tarjetas de transponder o la luz de iluminación para el selector de llave, es posible conectar estos dispositivos a la central de mando en los bornes "P.P. (positivo)" y "STOP (negativo)" (fig. 13). La tensión de alimentación es de 24 Vcc (-30% ÷ +50%) con corriente máxima disponible de 200 mA. **Nota** - La tensión disponible en los bornes "P.P." y "STOP" siempre está presente cuando en la tarjeta se activa la función "Stand By".

4.4 - Direccionamiento de los dispositivos conectados

Para que la central pueda reconocer los dispositivos conectados al sistema Bluebus, es necesario asignarles una dirección. Esta operación debe hacerse colocando correctamente el puente eléctrico presente en todos los dispositivos: véase la fig. B. Para asignar una dirección a los demás dispositivos, consulte los manuales de instrucciones respectivos. Al concluir la instalación o después de haber desmontado las fotocélulas o cualquier otro dispositivo, habrá que realizar el aprendizaje de estos últimos; véase el párrafo 4.6.

B

DIRECCIONES DE LAS FOTOCÉLULAS	
Fotocélula	Puentes de conexión
FOTO Fotocélula exterior h = 50 con activación durante el cierre (detiene e invierte el movimiento)	
FOTO II Fotocélula exterior h = 100 con activación durante el cierre (detiene e invierte el movimiento)	
FOTO 1 Fotocélula interior h = 50 con activación durante el cierre (detiene e invierte el movimiento) y durante la apertura (detiene y reanuda el movimiento al descubrirse la fotocélula)	
FOTO 1 II Fotocélula interior h = 100 con activación durante el cierre (detiene e invierte el movimiento) y durante la apertura (detiene y reanuda el movimiento al descubrirse la fotocélula)	
FOTO 2 Fotocélula interior con activación durante la apertura (detiene e invierte el movimiento)	
FOTO 2 II Fotocélula interior con activación durante la apertura (detiene e invierte el movimiento)	
FOTO 3 CONFIGURACIÓN NO ADMITIDA	

4.5 - Primer encendido y control de las conexiones

Después de haber conectado la energía eléctrica de la Central de mando, lleve a cabo los siguientes controles:

- transcurridos algunos segundos, compruebe que el Led "Bluebus" (fig. 16) destelle regularmente con una frecuencia de 1 destello por segundo;
- controle que destellen los Leds de las fotocélulas (fig. 16), tanto TX (transmisor) como RX (receptor). En esta etapa, el tipo de destello no es importante;
- controle que la luz intermitente conectada a la salida FLASH esté apagada.

Si así no fuera, habrá que cortar la energía eléctrica de la central y controlar las conexiones eléctricas hechas.

4.6 - Aprendizaje de los dispositivos conectados a MC824H

Después de haber realizado el primer encendido, es necesario que la central reconozca los dispositivos conectados en las entradas "Bluebus" y "Stop".

¡ATENCIÓN! - El aprendizaje debe hacerse incluso si no hubiera ningún dispositivo conectado a la central.

La central reconoce individualmente los dispositivos conectados gracias al procedimiento de aprendizaje y detecta con mucha precisión los posibles desperfectos presentes. Por dicho motivo, es necesario realizar el aprendizaje de los dispositivos cada vez que uno de estos es añadido o eliminado.

Los Leds "L1" y "L2" presentes en la central (fig. 16) emiten algunos destellos lentos que indican que es necesario llevar a cabo el aprendizaje:

01. Pulse y mantenga pulsados simultáneamente los pulsadores "◀" y "Set" (fig. 16).
02. Suelte los pulsadores cuando los leds "L1" y "L2" comiencen a destellar rápidamente (después de unos 3 segundos).
03. Espere algunos segundos para que la central complete el aprendizaje de los dispositivos.
04. Al concluir esta etapa, el Led "Stop" deberá estar encendido y los Leds "L1" y "L2" se deberán apagar (podrían comenzar a destellar los Leds "L3" y "L4").

4.7 - Aprendizaje de las posiciones de los fines de carrera mecánicos

Después del aprendizaje de los dispositivos conectados (párrafo 4.6) habrá que realizar el aprendizaje de las posiciones de los tope mecánicos (apertura máxima y cierre máximo). Este procedimiento se puede realizar en tres modos: **automático, manual y mixto.**

En el **modo automático**, la central ejecuta el aprendizaje de los tope mecánicos y calcula la sincronización más oportuna de las hojas (SA y SC, fig. C).

En el **modo manual**, las ocho posiciones de los tope mecánicos (fig. C) se programan una por una, desplazando las hojas hacia los puntos deseados. La posición que se debe programar está identificada por el destello de uno de los 8 leds (L1...L8), véase la **Tabla 2**.

En el **modo mixto**, es posible llevar a cabo el procedimiento automático y, posteriormente, con el procedimiento manual, modificar una o varias posiciones salvo las posiciones "0" y "1" (fig. C) que coinciden con las posiciones de los tope mecánicos.

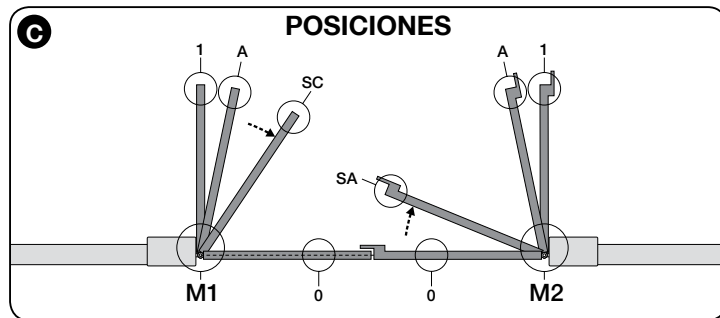


TABLA 2		
Posición 0 (motor 1)	Led	Descripción
Posición 0 (motor 2)	L1	Posición de cierre máximo: cuando la hoja 1 choca contra el tope mecánico de cierre
Posición SA (motor 2)	L2	Posición de cierre máximo: cuando la hoja 2 choca contra el tope mecánico de cierre
Posición A (motor 1)	L3	Sincronización en la apertura: cuando la hoja 2 supera esta posición, la hoja 1 comienza a abrirse
Posición A (motor 2)	L4	Posición de apertura deseada: posición en que la hoja conectada al motor 1 debe detenerse al concluir un movimiento de apertura. No es necesario que esta posición coincida con el tope mecánico de apertura sino que puede seleccionarse a placer entre la posición "0" y "1"
Posición SC (motor 1)	L5	Posición de apertura deseada: posición en que la hoja conectada al motor 2 debe detenerse al concluir un movimiento de apertura. No es necesario que esta posición coincida con el tope mecánico de apertura sino que puede seleccionarse a placer entre la posición "0" y "1"
Posición 1 (motor 1)	L6	Sincronización en el cierre: cuando la hoja 1 se encuentra por debajo de esta posición, la hoja 2 comienza a cerrarse
Posición 1 (motor 2)	L7	Posición de apertura máxima: cuando la hoja 1 choca contra el tope mecánico de apertura
Posición 1 (motor 2)	L8	Posición de apertura máxima: cuando la hoja 2 choca contra el tope mecánico de apertura

4.7.1 - Aprendizaje en modo automático de la central HKA2: para mod. HK7024 y HK7024HS

01. Pulse y mantenga pulsados simultáneamente los pulsadores "Set" y "▶";
 02. **Mod. HK7024**
soltar las teclas "Set" y "▶" cuando los leds "L3" y "L4" comiencen a parpadear rápidamente (a los 4 segundos aproximadamente).
 03. **Mod. HK7024HS**
soltar las teclas "Set" y "▶" cuando los leds "L5" y "L6" comiencen a parpadear rápidamente (a los 7 segundos aproximadamente).
03. Controle que el automatismo realice las siguientes secuencias de movimientos:
- a - Cierre lento del motorreductor M1 hasta el tope mecánico
 - b - Cierre lento del motorreductor M2 hasta el tope mecánico

- c - Apertura lenta del motorreductor M2 y del motorreductor M1 hasta el tope mecánico
- d - Cierre rápido de los motorreductores M1 y M2

Advertencias:

- Si el primer movimiento (a) no cerrara la hoja accionada por el motor M1 sino aquella accionada por el motor M2, pulse el pulsador “◀” o bien “▶” para detener el aprendizaje. Entonces, invierta las conexiones de los motores M1 y M2 en los bornes presentes en la central y después aquellos de los encoders respectivos y reanude el procedimiento a partir del punto 01;
- Si los primeros dos movimientos (a y b) no fueran de “cierre” sino de “apertura”, pulse el pulsador “◀” o “▶” para detener el aprendizaje. Entonces, en el motorreductor que ha hecho el movimiento de apertura, invierta las polaridades de los dos cables del motorreductor M1 (bornes 7 y 9) y M2 (bornes 10 y 12) y reanude el procedimiento a partir del punto 01;

04. Al concluir el movimiento de cierre de los 2 motores (d), los leds:

“L3” y “L4” = HK7024

“L5” y “L6” = HK7024HS

se apagarán indicando que el procedimiento se ha ejecutado correctamente.

Advertencias:

- Si durante el aprendizaje automático se activaran las fotocélulas o un dispositivo conectado a la entrada “stop”, el procedimiento se interrumpirá y el led L1 comenzará a destellar. Para reactivar el aprendizaje, reanude el procedimiento a partir del punto 01;
- El aprendizaje automático puede ejecutarse nuevamente en cualquier momento, incluso después de haber hecho la instalación; por ejemplo, después de modificar la posición de los topes mecánicos.

4.7.2 - Aprendizaje en modo manual de la central HKA2: SÓLO para mod. HK7024

¡Atención! – Desde el paso 03 en adelante:

- para pasar del led L1 al L8 es necesario pulsar brevemente el pulsador ◀ o ▶ (el led destellará indicando la posición actual);
- para hacer mover el motor hacia un sentido o hacia el otro, pulse continuamente el pulsador ◀ o ▶.

01. Pulse y mantenga pulsados simultáneamente los pulsadores “Set” y “▶”;

02. Suelte los pulsadores cuando el led “L1” comience a destellar (después de 1 segundo aproximadamente); **Nota** – superados los 3 segundos, si no se soltaran los pulsadores “Set” y “▶”, se activará el procedimiento de “aprendizaje automático” y no aquel manual.

03. • el led L1 destella: posición 0 de M1

Para accionar y colocar el motor 1 en la posición 0 (fig. C): pulse y mantenga pulsado el pulsador “◀” o “▶”. Al alcanzar dicha posición, suelte el pulsador para detener el movimiento. Para memorizar la posición, pulse y mantenga pulsado el pulsador “Set” durante al menos 3 s y después suéltelo (después de 2 s el led L1 quedará encendido y, al soltar el pulsador “Set”, comenzará a destellar el led L2).

• el led L2 destella: posición 0 de M2

Para accionar y colocar el motor 2 en la posición 0 (fig. C): pulse y mantenga pulsado el pulsador “◀” o “▶”. Al alcanzar dicha posición, suelte el pulsador para detener el movimiento. Para memorizar la posición, pulse y mantenga pulsado el pulsador “Set” durante al menos 3 s y después suéltelo (después de 2 s el led L2 quedará encendido y, al soltar el pulsador “Set”, comenzará a destellar el led L3).

• el led L3 destella: posición SA de M2

Para accionar y colocar el motor 2 en la posición SA (fig. C): pulse y mantenga pulsado el pulsador “◀” o “▶”. Al alcanzar dicha posición, suelte el pulsador para detener el movimiento. Para memorizar la posición, pulse y mantenga pulsado el pulsador “Set” durante al menos 3 s y después suéltelo (después de 2 s el led L3 quedará encendido y, al soltar el pulsador “Set”, comenzará a destellar el led L4).

• el led L4 destella: posición A de M1

Para accionar y colocar el motor 1 en la posición A (fig. C): pulse y mantenga pulsado el pulsador “◀” o “▶”. Al alcanzar dicha posición, suelte el pulsador para detener el movimiento. Para memorizar la posición, pulse y mantenga pulsado el pulsador “Set” durante al menos 3 s y después suéltelo (después de 2 s el led L4 quedará encendido y, al soltar el pulsador “Set”, comenzará a destellar el led L5).

• el led L5 destella: posición A de M2

Para accionar y colocar el motor 2 en la posición A (fig. C): pulse y mantenga pulsado el pulsador “◀” o “▶”. Al alcanzar dicha posición, suelte el pulsador para detener el movimiento. Para memorizar la posición, pulse y mantenga pulsado el pulsador “Set” durante al menos 3 s y después suéltelo (después de 2 s el led L5 quedará encendido y, al soltar el pulsador “Set”, comenzará a destellar el led L6).

• el led L6 destella: posición SC de M1

Para accionar y colocar el motor 1 en la posición SC (fig. C): pulse y mantenga pulsado el pulsador “◀” o “▶”. Al alcanzar dicha posición, suelte el pulsador para detener el movimiento. Para memorizar la posición, pulse y mantenga pulsado el pulsador “Set” durante al menos 3 s y después suéltelo (después de 2 s el led L6 quedará encendido y, al soltar el pulsador “Set”, comenzará a destellar el led L7).

• el led L7 destella: posición 1 de M1

Para accionar y colocar el motor 1 en la posición 1 (fig. C): pulse y mantenga pulsado el pulsador “◀” o “▶”. Al alcanzar dicha posición, suelte el pulsador para detener el movimiento. Para memorizar la posición, pulse y mantenga pulsado el pulsador “Set” durante al menos 3 s y después suéltelo (después de 2 s el led L7 quedará encendido y, al soltar el pulsador “Set”, comenzará a destellar el led L8).

• el led L8 destella: posición 1 de M2

Para accionar y colocar el motor 2 en la posición 1 (fig. C): pulse y mantenga pulsado el pulsador “◀” o “▶”. Al alcanzar dicha posición, suelte el pulsador para detener el movimiento. Para memorizar la posición, pulse y mantenga pulsado el pulsador “Set” durante al menos 3 s y después suéltelo para salir de la programación (después de 2 s el led L8 quedará encendido hasta soltar el pulsador “Set”).

Nota – Programación manual de un sistema con un solo motorreductor: proceda tal como descrito al inicio de este apartado, a partir del paso 01. En el paso 03 proceda de la siguiente manera:

- **programe las posiciones relativas a los leds L1 (0 de M1) y L7 (1 de M1) de la siguiente manera:** mantenga presionado el pulsador “Set” durante al menos 3 s y después suéltelo (después de 2 s el led quedará encendido y, al soltar el pulsador “Set”, comenzará a destellar el led siguiente).

- **no programe las posiciones relativas a los leds L3 (SA de M2) - L4 (A de M1) - L6 (SC de M1):** para desplazarse entre las posiciones, pulse brevemente los pulsadores “◀” o “▶”.

4.7.3 - Aprendizaje en modo mixto de la central HKA2: para mod. HK7024 y HK7024HS

Lleve a cabo este procedimiento después de haber hecho el aprendizaje en modo automático:

01. Pulse y mantenga pulsados simultáneamente los pulsadores “Set” y “▶”;

02. Suelte los pulsadores cuando el led “L1” comience a destellar (después de 1 segundo aproximadamente); **Nota** – superados los 3 segundos, si no se soltaran los pulsadores “Set” y “▶”, se activará el procedimiento de “aprendizaje automático” y no aquel manual.

03. Pulsando brevemente el pulsador “◀” o “▶”, desplace el led intermitente (L1...L8) hacia la posición en que se desea programar y proceda así para cada posición, tal como descrito en el paso 03 del aprendizaje en modo manual (párrafo 4.7.2).

Repita esta última operación para las demás posiciones que desea modificar.

Para concluir el aprendizaje manual, pulse varias veces el pulsador “▶” hasta que el led que destella supere la posición L8.

4.8 - Control del movimiento de las hojas de la cancela

Al concluir el aprendizaje, se aconseja hacer que la central realice algunos movimientos de Apertura y Cierre para comprobar el movimiento correcto de la cancela, los posibles defectos de montaje y de regulación.

01. Pulse el pulsador “Open”. Controle la sincronización correcta de las hojas durante la apertura y controle que durante la apertura esté presente la etapa de aceleración y que el fin de carrera de las hojas esté configurado algunos centímetros de distancia de los topes mecánicos de apertura;

02. Pulse el pulsador “Close” y controle que durante el Cierre esté presente la etapa de aceleración, la etapa de velocidad constante y la etapa de desaceleración. Controle que las hojas estén bien sincronizadas durante el cierre. Al concluir, las hojas deben estar bien cerradas sobre el tope mecánico de cierre;

03. Controle que durante los movimientos la luz intermitente destelle con intervalos de 0,5 segundos encendida y 0,5 segundos apagada.

5 ENSAYO Y PUESTA EN SERVICIO

Estas son las fases más importantes en la preparación del automatismo, ya que su objetivo es garantizar la máxima seguridad de la instalación. El ensayo también se puede usar para comprobar periódicamente los dispositivos que conforman el automatismo. Las fases de ensayo y puesta en servicio del automatismo deben ser realizadas por personal cualificado y experto, que deberá llevar a cabo las pruebas necesarias para comprobar las soluciones adoptadas respecto a los riesgos existentes y verificar el cumplimiento de lo previsto por las leyes, normativas y reglamentos, con especial atención a todos los requisitos de la norma EN 12445, que establece los métodos de prueba para la verificación de los automatismos para puertas.

Los dispositivos adicionales deben ser sometidos a un ensayo específico, tanto en lo referente a su funcionamiento como a su correcta interacción con HYKE; para ello consulte el manual de instrucciones de cada dispositivo.

5.1 - Ensayo

La secuencia de operaciones necesarias para el ensayo se refiere a una instalación típica (fig. 3):

- 1 Controle que se hayan respetado estrictamente todas las indicaciones del capítulo “Advertencias para la instalación”.
- 2 Desbloquee manualmente los motorreductores y compruebe que, al intervenir sobre la hoja en el punto previsto para la maniobra manual, se pueda mover las hojas en apertura y cierre con una fuerza inferior a 390 N.
- 3 Bloquee los motorreductores (véase el capítulo 3.6).
- 4 Utilizando los dispositivos de mando (trasmisor, botón de mando, selector de llave, etc.), haga las pruebas de apertura, cierre y parada de la puerta, comprobando que el movimiento de las hojas sea el previsto. Conviene llevar a cabo diversas pruebas para evaluar el movimiento de las hojas y verificar si hay errores de montaje, de regulación o puntos de especial fricción.
- 5 Compruebe el correcto funcionamiento de todos los dispositivos de seguridad de la instalación, uno por uno (fotocélulas, bandas sensibles, etc.). Cuando se dispara un dispositivo, el led “BLUEBUS”, situado en la central, emite 2 parpa-

deos más rápidos para confirmar que se ha efectuado el reconocimiento.

- Si las situaciones peligrosas provocadas por el movimiento de las hojas han sido prevenidas limitando la fuerza de impacto, se deberá efectuar una medición de la fuerza conforme a lo previsto por la norma EN 12445 y, en caso necesario, si se utiliza la "fuerza del motorreductor" como ayuda al sistema para la reducción de la fuerza de impacto, probar hasta hallar la regulación que dé los mejores resultados.

5.2 - Puesta en servicio

La puesta en servicio solo es posible tras llevar a cabo con éxito todas las fases de ensayo.

- Elabore el expediente técnico del automatismo, que deberá incluir los siguientes documentos: un dibujo general del automatismo, el esquema de las conexiones eléctricas realizadas, el análisis de los riesgos existentes y las soluciones adoptadas al respecto, la declaración de conformidad del fabricante de todos los dispositivos

- positivos utilizados y la declaración de conformidad redactada por el instalador.
- Aplique a la puerta una placa que contenga al menos los siguientes datos: tipo de automatismo, nombre y dirección del fabricante (responsable de la "puesta en servicio"), número de serie, año de fabricación y marcado "CE".
- Redacte y entregue al propietario del automatismo la declaración de conformidad del automatismo.
- Redacte y entregue al propietario del automatismo el "**Manual de uso**" del automatismo.
- Redacte y entregue al propietario del automatismo el "**Plan de mantenimiento**" que reúne las instrucciones de mantenimiento para todos los dispositivos del automatismo.
- Antes de poner en servicio el automatismo, informe adecuadamente al propietario acerca de los peligros y riesgos residuales todavía existentes. Para toda la documentación citada, Nice pone a su disposición, a través de su servicio de asistencia: manuales de instrucciones, guías y formularios ya cumplimentados. Visite también el sitio web: www.nice-service.com

6 PROGRAMACIÓN DE LA CENTRAL DE MANDO

En la central hay 3 pulsadores **OPEN** (◀), **STOP (SET)**, **CLOSE** (▶) que se pueden utilizar para accionar la central durante las etapas de prueba y para la programación de las funciones disponibles.

Las funciones programables disponibles están dispuestas en 2 niveles y su estado de funcionamiento es señalado por los 8 leds (**L1** ... **L8**) presentes en la central (led encendido = función activa; led apagado = función desactivada).

Utilice los pulsadores de programación:

OPEN (◀): – pulsador para accionar la apertura de la cancela; – pulsador de selección durante la programación.

STOP/SET: pulsador que permite detener un movimiento; al pulsarlo durante más de 5 segundos, permite entrar en programación.

CLOSE (▶): – pulsador para accionar el Cierre de la cancela; – pulsador de selección durante la programación.

6.1 - Programación del primer nivel (ON-OFF)

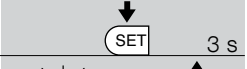
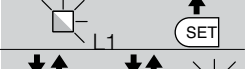

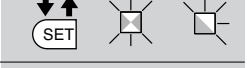

Todas las funciones del primer nivel se programan en fábrica en "**OFF**" y pueden ser modificadas en cualquier momento. Para comprobar las distintas funciones, véase la **Tabla 5**. Para el procedimiento de programación, véase la **Tabla 6**.

IMPORTANTE – El procedimiento de programación dura 10 segundos como máximo que transcurre entre la presión de un pulsador y el otro. Concluido dicho tiempo, el procedimiento finaliza automáticamente memorizando las modificaciones hechas hasta ese momento.

TABLA 3 - Funciones de primer nivel

Led	Función	Descripción
L1	Cierre automático	<u>Función ACTIVA:</u> después de un movimiento de apertura se ejecuta una pausa (equivalente al Tiempo de pausa programado), transcurrida la cual, la central inicia automáticamente un movimiento de cierre. El valor de fábrica del Tiempo de pausa equivale a 30 segundos. <u>Función DESACTIVADA:</u> el funcionamiento es "semiautomático".
L2	Volver a cerrar después fotocélula	<u>Función ACTIVA:</u> si durante el movimiento de Apertura o cierre intervienen las fotocélulas, el tiempo de pausa disminuye a 5 seg. independientemente del "tiempo pausa" programado. Con el "cierre automático" desactivado, si durante el Cierre se activarán las fotocélulas, se activará el "cierre automático" con el "tiempo pausa" programado.
L3	Cerrar siempre	<u>Función ACTIVA:</u> si se produjera un corte de energía, incluso breve, al volver la corriente eléctrica la central detectará la cancela abierta y, automáticamente, activará un movimiento de Cierre, antecedido de 5 seg. de destello previo. <u>Función DESACTIVADA:</u> al volver la corriente eléctrica la cancela no se moverá.
L4	Stand by todo	<u>Función ACTIVA:</u> tras un minuto a partir del final del movimiento, la central apagará la salida "BlueBus" (dispositivos conectados), el Bus T4 (dispositivos conectados), las salidas flash, ELS y SCA, algunos circuitos internos y todos los leds, excluido el Led BlueBus que destellará más lento. Cuando la central recibe un mando, restablece el funcionamiento normal (con un breve retardo). Esta función tiene la finalidad de reducir los consumos que es muy importante con la alimentación con baterías o paneles fotovoltaicos.
L5	Electrocerradura / Luz de cortesía	<u>Función ACTIVA:</u> la salida "electrocerradura" conmuta su funcionamiento en "luz de cortesía". <u>Función DESACTIVADA:</u> la salida funciona como electrocerradura.
L6	Destello previo	<u>Función ACTIVA:</u> es posible añadir una pausa de 3 segundos entre el encendido de la luz intermitente y el inicio del movimiento para advertir anticipadamente una situación peligrosa. <u>Función DESACTIVADA:</u> la señal de la luz intermitente coincide con el inicio del movimiento.
L7	"Cerrar" se convierte en "Abrir parcial 1"	<u>Función ACTIVA:</u> la entrada "Close" de la central conmuta su funcionamiento en "Abrir Parcial 1".
L8	"Indicador cancela abierta" o "Indicador mantenimiento"	<u>Función ACTIVA:</u> la salida "indicador cancela abierta" de la central conmuta su funcionamiento en "indicador mantenimiento". <u>Función DESACTIVADA:</u> la salida funciona como "indicador cancela abierta"

TABLA 4 - Procedimiento de programación del primer nivel

01. Pulse y mantenga pulsado el pulsador " Set " durante unos 3 segundos;	
02. Suelte el pulsador cuando el led " L1 " comience a destellar;	
03. Pulse el pulsador "◀" o "▶" para pasar del led intermitente al led que representa la función a modificar;	
04. Pulse el pulsador " Set " para modificar el estado de la función: (destello breve = OFF - destello largo = ON);	
05. Espere 10 segundos (tiempo máximo) para salir de la programación.	

Nota – Para programar otras funciones en "ON" u "OFF", durante la ejecución del procedimiento hay que repetir los puntos 03 y 04 durante la misma etapa.

6.2 - Programación del segundo nivel (parámetros regulables)

Todos los parámetros del segundo nivel son programados en fábrica, como indicado en **gris** en la **Tabla 5**, y pueden ser modificados en cualquier momento procediendo tal como descrito en la **Tabla 6**.

Los parámetros se pueden regular en una escala de valores de 1 a 8; para

comprobar el valor que corresponde a cada Led, véase la **Tabla 8**.

IMPORTANTE – El procedimiento de programación dura 10 segundos como máximo que transcurren entre la presión de un pulsador y el otro. Concluido dicho tiempo, el procedimiento finaliza automáticamente memorizando las modificaciones hechas hasta ese momento.

TABLA 5 - Funciones de segundo nivel

Led de entrada	Parámetro	Led (nivel)	Valor	Descripción
L1	Tiempo de pausa	L1	5 segundos	Regula el tiempo de pausa, es decir el tiempo antes del cierre automático. Es válido sólo si el Cierre está activo.
		L2	15 segundos	
		L3	30 segundos	
		L4	45 segundos	
		L5	60 segundos	
		L6	80 segundos	
		L7	120 segundos	
		L8	180 segundos	
L2	Función Paso a Paso	L1	Abrir – stop – cerrar – stop	Regula la secuencia de mandos asociados a la entrada "Paso a Paso", "Abrir", "Cerrar" o al mando radio. Nota – Configurando L4, L5, L7 e L8, también se modifica el comportamiento de los mandos "Abrir" y "Cerrar".
		L2	Abrir – stop – cerrar – abrir	
		L3	Abrir – cerrar – abrir – cerrar	
		L4	Comunitaria: • en el movimiento de <u>apertura</u> el mando "Paso a Paso" y "Abrir" no provocan efecto; por el contrario, el mando "Cerrar" provoca la inversión del movimiento, es decir el cierre de las hojas. • en el movimiento de <u>cierre</u> el mando "Paso a Paso" y "Abrir" provocan la inversión del movimiento, es decir la apertura de las hojas; por el contrario, el mando "Cerrar" no provoca ningún efecto.	
		L5	Comunitaria 2: • en el movimiento de apertura el mando "Paso a Paso" y "Abrir" no provocan efecto; por el contrario, el mando "Cerrar" provoca la inversión del movimiento, es decir el cierre de las hojas. Si el mando enviado dura más de 2 segundos, se ejecuta un "Stop". • en el movimiento de cierre el mando "Paso a Paso" y "Abrir" provocan la inversión del movimiento, es decir la apertura de las hojas; por el contrario, el mando "Cerrar" no provoca ningún efecto. Si el mando enviado dura más de 2 segundos, se ejecuta un "Stop".	
		L6	Paso a Paso 2 (menos de 2" provoca una apertura parcial)	
		L7	Hombre presente: el movimiento se ejecuta sólo si se mantiene el mando enviado; si el mando se interrumpe, el movimiento se detiene.	
		L8	Apertura en "semiautomático", cierre modo "hombre presente".	
L3	Velocidad motores	L1	Muy lenta	Regula la velocidad de los motores durante la carrera normal.
		L2	Lenta	
		L3	Media	
		L4	Rápida	
		L5	Muy rápida	
		L6	Rapidísima	
		L7	Abrir rápido, Cerrar lento	
		L8	Abrir rapidísimo, Cerrar medio	
L4	Descarga motores después del Cierre	L1	Ninguna descarga	Regula la duración de la "breve inversión" de ambos motores, después de la ejecución del movimiento de Cierre, con la finalidad de reducir el empuje final residual. Garantizar un cierre apropiado y facilitar el desbloqueo
		L2	Nivel 1 - Descarga mínima (100 ms aprox.)	
		L3	Nivel 2 - ...	
		L4	Nivel 3 - ...	
		L5	Nivel 4 - ...	
		L6	Nivel 5 - ...	
		L7	Nivel 6 - ...	
		L8	Nivel 7 - Descarga máxima (800 ms aprox.)	
L5	Fuerza motores	L1	Nivel 1 - Fuerza mínima	Regula la fuerza de ambos motores.
		L2	Nivel 2 - ...	
		L3	Nivel 3 - ...	
		L4	Nivel 4 - ...	
		L5	Nivel 5 - ...	
		L6	Nivel 6 - ...	
		L7	Nivel 7 - ...	
		L8	Nivel 8 - Fuerza máxima	
L6	Apertura paso de peatones o parcial	L1	Peatones 1 (apertura de la hoja M2 a 1/4 de la apertura total)	Regula el tipo de apertura asociado al mando "apertura parcial 1". En los niveles L5, L6, L7, L8, la apertura "mínima" es la apertura menor entre M1 y M2; por ejemplo, si M1 abre a 90° y M2 abre a 110°, la apertura mínima es 90°
		L2	Peatones 2 (apertura de la hoja M2 a 1/2 de la apertura total)	
		L3	Peatones 3 (apertura de la hoja M2 a 3/4 de la apertura total)	
		L4	Peatones 4 (apertura total de la hoja 2)	
		L5	Parcial 1 (apertura de las dos hojas a 1/4 de la apertura "mínima")	
		L6	Parcial 2 (apertura de las dos hojas a 1/2 de la apertura "mínima")	
		L7	Parcial 3 (apertura de las dos hojas a 3/4 de la apertura "mínima")	
		L8	Parcial 4 (apertura de las dos hojas equivalente a la apertura "mínima")	

L7	Aviso de mantenimiento	L1	500	Regula el número de movimientos: cuando se supera este número, la central señala la necesidad de mantenimiento del automatismo; véase el párrafo 6.3.2. – Aviso de mantenimiento.
		L2	1000	
		L3	1500	
		L4	2500	
		L5	5000	
		L6	10000	
		L7	15000	
		L8	20000	
L8	Listado de desperfectos	L1	Resultado 1º movimiento (el más reciente)	Permite comprobar el tipo de desperfecto producido durante la ejecución de los últimos 8 movimientos. Véase la TABLA 10 - Lista historial de los desperfectos.
		L2	Resultado 2º movimiento	
		L3	Resultado 3º movimiento	
		L4	Resultado 4º movimiento	
		L5	Resultado 5º movimiento	
		L6	Resultado 6º movimiento	
		L7	Resultado 7º movimiento	
		L8	Resultado 8º movimiento	

Nota – El color gris indica los valores configurados en fábrica.

TABLA 6 - Procedimiento de programación del segundo nivel

01. Pulse y mantenga pulsado el pulsador “Set” durante unos 3 segundos;	
02. Suelte el pulsador cuando el led “L1” comience a destellar;	
03. Pulse el pulsador “◀” o “▶” para pasar del led intermitente al led que representa “led de entrada” del parámetro a modificar;	
04. Pulse y mantenga pulsado el pulsador “Set” hasta concluir el punto 06;	
05. Espere unos 3 segundos hasta que se encienda el led que representa el nivel actual del parámetro a modificar;	
06. Pulse el pulsador “◀” o “▶” para desplazar el led que representa el valor del parámetro;	
07. Suelte el pulsador “Set”;	
08. Espere 10 segundos (tiempo máximo) para salir de la programación.	

Nota – Para programar varios parámetros, durante la ejecución del procedimiento hay que repetir las operaciones desde el punto 03 al punto 07 durante la misma etapa.

6.3 - Funciones especiales

6.3.1 - Función: “Mover igualmente”

Esta función permite hacer funcionar el automatismo incluso cuando algún dispositivo de seguridad no funciona correctamente o está fuera de uso. Es posible accionar el automatismo en modalidad “hombre presente”, procediendo de la siguiente manera:

- Envíe un mando para accionar la cancela con un transmisor o con un selector de llave, etc.. Si todo funciona correctamente, la cancela se moverá regularmente, en caso contrario, siga estos pasos;
- antes de 3 segundos, accione nuevamente el mando y manténgalo accionado;
- después de 2 segundos aprox. la cancela realizará el movimiento requerido en modalidad “hombre presente”; es decir que la cancela seguirá moviéndose sólo hasta que se mantenga accionado el mando.

Cuando los dispositivos de mando no funcionan, la luz intermitente emite algunos destellos para señalar el tipo de problema (véase capítulo 6 - Tabla 8).

6.3.2 - Función: “Aviso de mantenimiento”

Esta función sirve para señalar cuando es necesario realizar el mantenimiento al automatismo. La señal de aviso de mantenimiento funciona mediante una luz conectada a la Salida S.C.A. cuando dicha salida está programada como “Indicador mantenimiento”. Las señales de la luz indicadora están mencionadas en la **Tabla 7**.

Para programar el valor límite de los operaciones de mantenimiento, véase la **Tabla 5**.

Tabla 7 - Señalización “Indicador mantenimiento”

Número de movimientos	Señalización
Inferior al 80% del límite	Indicador encendido durante 2 segundos al inicio del movimiento de apertura.
Entre el 81% y el 100% del límite	Indicador que destella durante toda la duración del movimiento.
Superior al 100% del límite	Indicador que destella continuamente.

6.4 - Borrado de la memoria

Para borrar la memoria de la central y restablecer todas las configuraciones de fábrica, proceda de la siguiente manera:

pulse y mantenga pulsado los pulsadores “◀” y “▶” hasta que los leds L1 y L2 comiencen a destellar.

7 QUÉ HACER SI... (guía para solucionar los problemas)

Algunos dispositivos están preparados para emitir señales con las cuales se puede reconocer el estado de funcionamiento o posibles desperfectos. Si en la salida FLASH, presente en la Central, se conectara una luz intermitente, durante la ejecución de un movimiento, ésta destellará una vez por segundo. Si se produjera algún desperfecto, la luz intermitente emitirá destellos más cortos que se repetirán dos veces, divididos por una pausa de 1 segundo. En la **Tabla 8** se describe la causa y la solución para cada tipo de señal. También los Leds presentes en la Central emiten señales; en la **Tabla 9** se describe la causa y la solución para cada tipo de señal. Se pueden controlar los desperfectos que se hubieran producido durante la ejecución de los últimos 8 movimientos; consulte la **Tabla 10**.

TABLA 8 - Señales de la luz intermitente (FLASH)

Destellos	Problema	Resolución
1 destello corto pausa de 1 segundo 1 destello corto	Error en el sistema Bluebus	Al comienzo del movimiento, el control de los dispositivos conectados al sistema Bluebus no corresponde a los dispositivos memorizados durante el aprendizaje. Es posible que haya dispositivos desconectados o averiados; controle y sustituya. Si se realizaran modificaciones, habrá que rehacer el aprendizaje de los dispositivos (véase el párrafo 4.6).
2 destellos cortos pausa de 1 segundo 2 destellos cortos	Activación de una fotocélula	Una o varias fotocélulas no dan la autorización del movimiento o durante la carrera han provocado una inversión del movimiento; controle que no haya obstáculos.
3 destellos cortos pausa de 1 segundo 3 destellos cortos	Activación de la función "Detección Obstáculos" de limitador de fuerza	Durante el movimiento, los motores han encontrado un esfuerzo superior; controle el motivo y, de ser necesario, aumente el nivel de fuerza de los motores.
4 destellos cortos pausa de 1 segundo 4 destellos cortos	Activación de la entrada de STOP	Al comienzo de la maniobra, o durante el movimiento, se han activado los dispositivos conectados a la entrada STOP; controle el motivo.
5 destellos cortos pausa de 1 segundo 5 destellos cortos	Error en los parámetros internos de la Central de mando	Espere al menos 30 segundos y pruebe a accionar de nuevo un mando y, de ser necesario, apague también la alimentación; si el estado persiste, podría haber una avería grave y habrá que sustituir la tarjeta electrónica.
6 destellos cortos pausa de 1 segundo 6 destellos cortos	Se ha superado el límite máximo de movimientos consecutivos o de movimientos por hora.	Espere algunos minutos para que el limitador de maniobras retorne por debajo del límite máximo.
7 destellos cortos pausa de 1 segundo 7 destellos cortos	Desperfecto en los circuitos eléctricos	Espere al menos 30 segundos y pruebe a accionar de nuevo un mando y, de ser necesario, apague también la alimentación; si el estado persiste, podría haber una avería grave y habrá que sustituir la tarjeta electrónica.
8 destellos cortos pausa de 1 segundo 8 destellos cortos	Hay un mando accionado que no permite ejecutar otros mandos	Controle el tipo de mando siempre activo; por ejemplo, podría ser el mando de un reloj en la entrada "abrir".
9 destellos cortos pausa de 1 segundo 9 destellos cortos	El automatismo se ha bloqueado por un mando "Bloquear automatización"	Desbloquee la automatización enviando el mando "Desbloquear automatización".
10 destellos cortos pausa de 1 segundo 10 destellos cortos	Activación de la función "Detección Obstáculos" desde encoder	Durante el movimiento, los motores se han bloqueado por una fricción; controle el motivo.

TABLA 9 - Señales de los Leds presentes en la central de mando (fig. 16)

Led	Problema	Resolución
BLUEBUS		
Siempre apagado	Desperfecto	Controle que la Central esté conectada; controle que los fusibles no estén quemados. En este caso, controle la causa de la avería y sustitúyalos con otros con el mismo valor
Siempre encendido	Desperfecto grave	Hay un problema grave: pruebe a cortar la alimentación eléctrica de la central y, si el estado persiste, sustituya la tarjeta electrónica
1 destello por segundo	Todo regular	Funcionamiento regular de la central
2 destellos rápidos	Variación de la condición de las entradas	Funcionamiento regular de la central
Serie de destellos separados por una pausa de 1 segundo	Varios	Es regular si se produce una variación en una de las entradas (PP, STOP, OPEN, CLOSE): activación de las fotocélulas, o si se utiliza un transmisor
STOP		
Siempre apagado	Activación de los dispositivos conectados a la entrada STOP	Entrada STOP activa
Siempre encendido	Todo regular	STOP input active
P.P.		
Siempre apagado	Todo regular	Entrada P.P. desactivada
Siempre encendido	Activación de la entrada P.P.	Es regular si está activo el dispositivo conectado a la entrada P.P.
OPEN		
Siempre apagado	Todo regular	OPEN input not active
Siempre encendido	Activación de la entrada OPEN	Normal if the device connected to the OPEN input is active
CLOSE		
Siempre apagado	Todo regular	Entrada CLOSE desactivada
Siempre encendido	Activación de la entrada CLOSE	Es regular si está activo el dispositivo conectado a la entrada CLOSE
L1 - L2 Parpadeo lento	Variación del número de dispositivos conectados al Bluebus, o bien el aprendizaje del dispositivo no se ha ejecutado	Es necesario ejecutar el aprendizaje de los dispositivos (véase el párrafo 4.6)
L3 - L4 Parpadeo lento	Variación del aprendizaje del tipo de los motores, o bien de las posiciones de los topes mecánicos	No se ha ejecutado jamás el aprendizaje de las posiciones de los topes mecánicos (véase paragrafo 4.7).

TABLA 10 - Lista historial de los desperfectos

01. Pulse y mantenga pulsado el pulsador "Set" durante unos 3 segundos;	
02. Suelte el pulsador cuando el led "L1" comience a destellar;	
03. Pulse el pulsador "◀" o "▶" para desplazarse desde el led que está destellando al led L8 ("led de entrada") para el parámetro "Lista desperfectos";	
04. Pulse y mantenga pulsado el pulsador "Set" hasta concluir el punto 06;	
05. Espere alrededor de 3 segundos hasta que se enciendan los leds que representan los niveles que corresponden a los movimientos que tienen problemas. El led L1 indica el resultado del movimiento más reciente, mientras que el led L8 indica el octavo movimiento. Si el led estuviera encendido significa que se han producido desperfectos, mientras que si el led estuviera apagado significa que todo está bien;	
06. Pulse los pulsadores "◀" y "▶" para seleccionar el movimiento deseado: el led correspondiente destellará la misma cantidad de veces que la luz intermitente;	
07. Suelte el pulsador "Set".	

8 OTRAS INFORMACIONES

Para HYKE están previstos los siguientes accesorios opcionales: receptores de la familia SMXI, OXI y el programador Oview, el panel de energía solar Solemyo y la batería compensadora mod. PS124.

8.1 - Conexión de un receptor

La central de mando incorpora un conector para la conexión de los receptores (accesorios opcionales) que pertenecen a la familia SMXI y OXI Para conectar un receptor, corte la corriente eléctrica de la central y proceda como se muestra en la **fig. 17**. En la **Tabla 11** y **Tabla 12** se mencionan los mandos que corresponden a las salidas incorporadas en la central.

Salida N°1	Mando "P.P." (Paso a Paso)
Salida N°2	Mando "apertura parcial 1"
Salida N°3	Mando "Abrir"
Salida N°4	Mando "Cerrar"

N°	Mando	Descripción
1	Paso a Paso	Mando "P.P." (Paso a Paso)
2	Apertura parcial 1	Mando "Apertura parcial 1"
3	Abrir	Mando "Abrir"
4	Cerrar	Mando "Cerrar"
5	Stop	Detiene el movimiento
6	Paso a Paso Comunitario	Mando en modalidad Comunitaria
7	Paso a Paso prioridad alta	Acciona incluso con la automatización bloqueada o con los mandos activos
8	Abrir parcial 2	Apertura parcial (Apertura de la hoja M2, equivalente a la 1/2 de la apertura total)
9	Abrir parcial 3	Abrir parcial (apertura de las dos hojas, equivalente a la 1/2 de la apertura total)
10	Abrir y Bloquea- rautomatización	Provoca un movimiento de apertura y al final de éste provoca el bloqueo del automatismo; la central no acepta ningún otro mando salvo "Paso a paso prioridad alta", "Desbloquear" automatización o bien (sólo desde Oview) los mandos: "Desbloquear y cerrar" y "Desbloquear y abrir"
11	Cerrar y Bloquea- rautomatización	Provoca un movimiento de cierre y al final de éste provoca el bloqueo del automatismo; la central no acepta ningún otro mando salvo "Paso a paso prioridad alta", "Desbloquear" automatización o bien (sólo desde Oview) los mandos: "Desbloquear y cerrar" y "Desbloquear y abrir"
12	Bloquear automati- zación	Provoca una parada del movimiento y el bloqueo del automatismo; la central no acepta ningún otro mando salvo "Paso a paso prioridad alta", "Desbloquear" automatización o bien (sólo desde Oview) los mandos: "Desbloquear y cerrar" y "Desbloquear y abrir".

13	Desbloquear auto- matización	Provoca el desbloqueo del automatismo y el restablecimiento del funcionamiento normal
14	On Timer Luz de cortesía	Se enciende la salida Luz de cortesía con apagado temporizado
15	On-Off Luz de cortesía	Se enciende y apaga la salida Luz de cortesía en modalidad paso a paso

8.2 - Conexión e instalación de la batería compensadora mod. PS124

¡ATENCIÓN! - La conexión eléctrica de la batería a la central debe realizarse solo tras concluir todas las fases de instalación y programación, ya que la batería constituye una alimentación eléctrica de emergencia.

Para instalar y conectar la batería, siga las fases de montaje mostradas en la **fig. 18**.

8.3 - Conexión del programador Oview

La central incluye el conector BusT4, al que se puede conectar la unidad de programación Oview, que permite una gestión rápida y completa de las fases de instalación, mantenimiento y diagnóstico de todo el automatismo. Para acceder al conector es necesario seguir las indicaciones de la **fig. 19** y conectar el conector en el alojamiento correspondiente. El Oview puede conectarse a varias Centrales simultáneamente (hasta 5 sin precauciones especiales, o hasta 60 respetando las advertencias oportunas) y puede permanecer conectado a la central durante el funcionamiento normal del automatismo. En este caso se puede utilizar para enviar directamente los mandos a la central mediante el menú específico "usuario". También se puede realizar la actualización del Firmware. Si la central incluye un radioreceptor perteneciente a la familia OXI, utilizando el Oview se puede acceder a los parámetros de los transmisores memorizados en el receptor.

8.4 - Conexión del sistema de energía solar Solemyo

¡ATENCIÓN! - Cuando el automatismo esté alimentado por el sistema "Solemyo", NO DEBE ESTAR ALIMENTADO simultáneamente por la red eléctrica.

Para más informaciones sobre el sistema Solemyo, consulte el manual de instrucciones respectivo.

Para conectar el sistema Solemyo, proceda como se muestra en la **fig. 20**.

8.5 - Conexión del sistema de desbloqueo exterior Kio

¡ATENCIÓN! - Kio debe conectarse al motorreductor que mueve la hoja que arranca primero (comenzando desde la posición de cancela cerrada)

- Abra la tapa del motorreductor (**fig. 21-1**);
- Quite el cárter de plástico del motorreductor tal como se muestra en la **fig. 21-2**;
- Introduzca en el orificio el tornillo con la tuerca como se muestra en la **fig. 21-3**;
- Enganche los dos extremos del muelle como se muestra en la **fig. 22-4**;
- Introduzca el cable de acero, primero en el tornillo y después en el orificio del perno, como se muestra en la **fig. 21-5**;
- Bloquee el cable enroscando el tornillo correspondiente (**fig. 21-5**);
- Pase el otro extremo del cable por uno de los orificios presentes en la parte inferior del motorreductor, tal como se muestra en la **fig. 21-6**;
- Coloque de nuevo el cárter de plástico y después la tapa del motorreductor (**fig. 21-7**);
- Entonces, conecte el cable a Kio tomando como referencia el manual de instrucciones correspondiente.

9 MANTENIMIENTO DEL PRODUCTO

Para mantener constante el nivel de seguridad y garantizar una máxima durabilidad de todo el automatismo, es necesario llevar a cabo un mantenimiento regular.

El mantenimiento debe realizarse cumpliendo plenamente las prescripciones de seguridad contenidas en este manual y lo previsto por las leyes y normativas vigentes.

Someta el producto a revisiones frecuentes, para comprobar si hay disequilibrios de las hojas o signos de desgaste o daños en los cables. No utilice el producto si es necesario efectuar reparaciones o ajustes.

Importante – Durante las fases de mantenimiento o limpieza del producto, desconecte la central de la alimentación eléctrica y de las baterías, si están previstas.

Para los demás dispositivos incluidos en la instalación, atégase a lo previsto en los respectivos planes de mantenimiento.

Para los motorreductores HK7024, HK7224, HK7024HS, HK7224HS es necesario efectuar un mantenimiento programado antes de que transcurran 6 meses o se realicen 20.000 maniobras desde el mantenimiento anterior.

Para realizar el mantenimiento siga estas instrucciones:

01. Desconecte cualquier fuente de alimentación eléctrica, incluidas las posibles baterías compensadoras;
02. Compruebe el estado de deterioro de soportes de tacos de fijación con especial atención a fenómenos de erosión u oxidación de las piezas; sustituya las piezas que no ofrezcan garantías suficientes;
03. Haga una prueba de desbloqueo para comprobar su correcto funcionamiento (véase el párrafo 3.6).
04. Vuelva a conectar las fuentes de alimentación eléctrica y realice todas las pruebas y comprobaciones previstas en el capítulo 5 - Ensayo.

ELIMINACIÓN DEL PRODUCTO

Este producto constituye parte integrante del automatismo, por lo que se debe eliminar junto con él.

Al igual que para las operaciones de instalación, al final de la vida útil de este producto, las operaciones de desguace también deben ser llevadas a cabo por personal cualificado.

Este producto está formado por diversos tipos de materiales: algunos de ellos se pueden reciclar, pero otros deben eliminarse. Infórmese acerca de los sistemas de reciclaje o eliminación previstos por los reglamentos vigentes en su territorio para esta categoría de producto.

¡Atención! – Algunos componentes del producto pueden contener sustancias contaminantes o peligrosas que, si se liberan al medio ambiente, podrían tener efectos nocivos sobre el medio ambiente y sobre la salud de las personas.

Como indica el símbolo de al lado, se prohíbe desechar este producto junto con los residuos domésticos. Así pues, lleve a cabo la separación de los residuos según los métodos previstos por los reglamentos vigentes en su territorio, o entregue el producto al vendedor cuando adquiera uno nuevo equivalente.



¡Atención! – los reglamentos vigentes a nivel local pueden prever graves sanciones en caso de eliminación incorrecta de este producto.

Eliminación de la batería compensadora (si está instalada)

¡Atención! – La batería descargada contiene sustancias contaminantes y por tanto no se debe desechar junto con los residuos normales.

Es necesario eliminarla aplicando los métodos de separación de residuos previstos por las normativas vigentes en su territorio.

Durabilidad del producto

La durabilidad es la vida útil media del producto. El valor de la durabilidad depende mucho del índice de dificultad de los movimientos ejecutados por el automatismo: es decir la suma de todos los factores que contribuyen al desgaste del producto (véase la Tabla 13).

Para establecer la probable durabilidad de su automatismo, proceda de la siguiente manera:

01. Calcule el índice de dificultad sumando entre sí los valores en porcentaje de los elementos presentes en la **Tabla 13**;

02. En el **Gráfico 3**, del valor apenas encontrado, trace una línea vertical hasta cruzar la curva; desde este punto, trace una línea horizontal hasta cruzar la línea de los "ciclos de movimientos". El valor determinado es la durabilidad estimada de su producto.

El valor estimado de durabilidad se obtiene sobre la base de los cálculos de proyecto y de los resultados de los ensayos efectuados con los prototipos. En efecto, siendo un valor estimado, no representa ninguna garantía sobre la duración efectiva del producto.

Ejemplo del cálculo de durabilidad de un motorreductor HYKE con brazo de longitud ENTERA (tome como referencia la Tabla 13 y el Gráfico 3):

- longitud de la hoja = 2,8 m (índice de dificultad: 20%); - peso de la hoja: 230 kg (índice de dificultad: 20%); - hoja ciega (índice de dificultad: 15%); **Índice de dificultad total = 55%**; **Durabilidad estimada = 220.000 ciclos de movimientos**

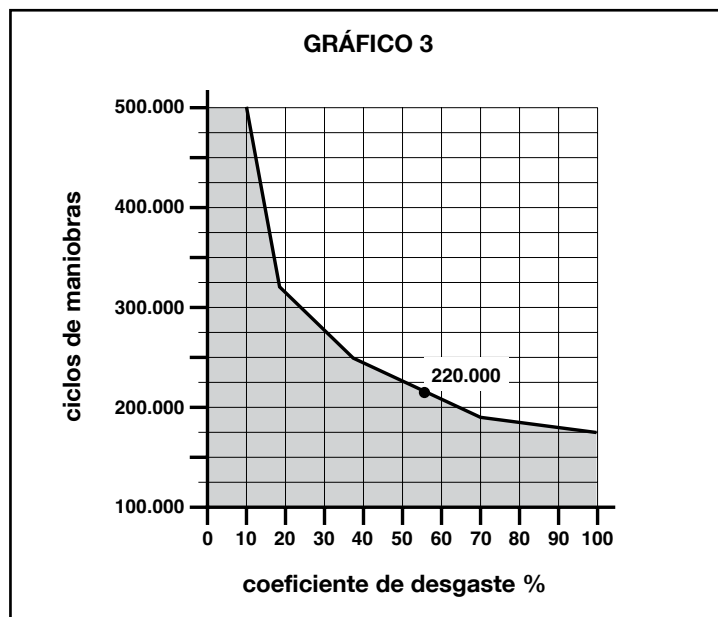


TABLA 13			
		Índice de dificultad	
		brazo longitud ENTERA	brazo longitud CORTA
Longitud de la hoja	< 1,8	0%	15%
	1,8 - 2,5 m	15%	20%
	2,5 - 3 m	20%	30%
	3 - 3,5 m	30%	-
Peso de la hoja	< 200 kg	0%	30%
	200 + 250 kg	20%	40%
	> 250 kg	30%	-
Temperatura ambiente superior a 40°C o inferior a 0°C o humedad superior al 80%		20%	20%
Hoja ciega		15%	20%
Instalación en zona ventosa		15%	20%

Nota – Los datos se refieren a un portón seccional equilibrado y en perfectas condiciones de mantenimiento

CARACTERÍSTICAS TÉCNICAS DEL PRODUCTO

ADVERTENCIAS: • Todas las características técnicas indicadas se refieren a una temperatura de 20°C (± 5°C). • Nice S.p.a. se reserva el derecho de modificar el producto en cualquier momento que lo considere necesario, manteniendo las mismas funcionalidades y el mismo uso previsto.

	HK7024K	HK7024KHS	HK7224K	HK7224KHS
Tipo	Motorreductor electromecánico para automatismos de cancelas y portones automáticos con motor de corriente continua, reductor epicicloidal, desbloqueo mecánico. Central de mando incorporada y radioreceptor OXI		Motorreductor electromecánico para automatismos de cancelas y portones automáticos con motor de corriente continua, reductor epicicloidal, desbloqueo mecánico.	
Par máximo	500 Nm			
Par nominal	120 Nm			
Velocidad en vacío	1.5 RPM	2 RPM	1.5 RPM	2 RPM
Frecuencia máxima de los ciclos	40 ciclos/hora			
Tiempo máximo ciclo continuo	7 minutos aprox.			
Límites de utilización	el producto se puede utilizar en cancelas con hojas de hasta 330 kg o para longitudes de hasta 3.5 m	el producto se puede utilizar en cancelas con hojas de hasta 270 kg o para longitudes de hasta 3 m	el producto se puede utilizar en cancelas con hojas de hasta 330 kg o para longitudes de hasta 3.5 m	el producto se puede utilizar en cancelas con hojas de hasta 270 kg o para longitudes de hasta 3 m
Durabilidad	estimada entre 150.000 y 500.000 ciclos, de acuerdo con las condiciones indicadas en la Tabla 13 y el Gráfico 3			
Alimentación	230 Vac ±10%; 50/60 Hz		24 Vdc (±10%)	
Alimentación de emergencia	predisposición para baterías compensadoras PS124			
Alimentación con paneles solares	predisposición para Kit SYKCE			
Potencia máxima absorbida	300 W		140 W	
Corriente máxima absorbida	1,5 A (3 A para versión HK7024K/V1)		6 A durante un tiempo máximo de 2 s	
Potencia absorbida en "Standby-Todo" con alimentación de PS124 o kit SYKCE (incluido el receptor OXI)	menos de 100 mW			
Salida luz intermitente [*]	una luz intermitente LUCYB (bombilla 12 V, 21 W)			
Salida electrocerradura [*]	una electrocerradura de 12 Vac máx. 15 VA			
Salida indicador cancela abierta [*]	una bombilla de 24 V máximo 4 W (la tensión de salida puede variar entre -30% y +50%, la salida puede accionar también pequeños relés)			
Salida BLUEBUS	una salida con carga máxima de 15 unidades Bluebus (máximo 6 pares de fotocélulas MOFB o MOFOB más 2 pares de fotocélulas MOFB o MOFOB direccionadas como dispositivos de apertura más un máximo de 4 dispositivos de mando MOMB o MOTB)			
Entrada STOP	para contactos normalmente cerrados, normalmente abiertos o para resistencia constante 8,2 kΩ; el tipo de contacto se selecciona en autoaprendizaje y una variación respecto del estado memorizado provoca el mando "STOP"			
Entrada PP	para contactos normalmente abiertos (el cierre del contacto provoca el mando Paso a Paso)			
Conexión radio:	conector SM para receptores de la familia SMXI, OXI y OXIFM			
Entrada ANTENA Radio	50 Ω para cable tipo RG58 o similar			
Funciones programables	8 funciones tipo ON-OFF (Tabla 3 y 8 funciones regulables (Tabla 5)			
Funciones en autoaprendizaje	<ul style="list-style-type: none"> • Autoaprendizaje de los dispositivos conectados a la salida BlueBus. • Autoaprendizaje del tipo de dispositivo conectado al borne "STOP" (contacto NA, NC o resistencia 8,2 kΩ). • Autoaprendizaje de la carrera de las hojas y cálculo automático de los puntos de desaceleración y apertura parcial. • Autoaprendizaje del funcionamiento con uno o dos motores. 			
Montaje	en posición vertical, con una placa de fijación específica			
Temperatura de funcionamiento	de -20°C a +50°C (con temperaturas bajas disminuye la eficiencia del motorreductor)			
Empleo en atmósfera ácida, salobre o con riesgo de explosión	NO			
Grado de protección	IP 54 (con caja íntegra)			
Dimensiones (mm)	210 x 290 x 320 h			
Peso (kg)	10.5		9.5	
<p>[*] - Las salidas Luz Intermitente, Electrocerradura, Indicador Cancela Abierta pueden programarse con otras funciones (véase la "TABLA 3 - Funciones de 1° nivel"; o bien mediante el programador Oview, véase el capítulo 8.3). Las características eléctricas de las salidas se adecuan al tipo de función seleccionada:</p> <ul style="list-style-type: none"> • función luz intermitente: bombilla de 12 Vdc, 21 W máx.; • función electrocerradura: 12 Vac, 15 VA máx.; • otras salidas (todos los tipos): 1 bombilla o relé 24Vdc (-30 y +50%), 4 W máx. 				

DECLARACIÓN DE CONFORMIDAD CE y declaración de incorporación de "cuasi máquina"

Declaración de conformidad con las Directivas: 2006/95/CE (LVD); 2004/108/CE (CEM); 2006/42/CE (MD) anexo II, parte B

Nota - El contenido de esta declaración corresponde a aquello declarado en la última revisión disponible, antes de la impresión de este manual, del documento oficial depositado en la sede de Nice Spa. El presente texto ha sido readaptado por motivos de impresión. La copia de la declaración original puede solicitarse a Nice S.p.a. (TV) I.

Número de declaración: 334/HYKE

Revisión: 4

idioma: ES

Nombre del fabricante: NICE s.p.a.
Dirección: Via Pezza Alta 13, Z.I. Rustignè, 31046 Oderzo (TV) Italia
Persona autorizada para constituir la documentación técnica: NICE s.p.a.
Tipo de producto: Motorreductor electromecánico "HYKE" con central incorporada
Modelo / Tipo: HK7024, HK7224, HK7024HS, HK7224HS
Accesorios: SMXI, OXI, PS124, Oview

El suscrito, Mauro Sordini, en su carácter de Chief Executive Officer, declara bajo su responsabilidad que el producto antedicho es conforme con las disposiciones establecidas por las siguientes directivas:

- DIRECTIVA 2004/108/CE DEL PARLAMENTO EUROPEO Y DEL CONSEJO del 15 de diciembre de 2004 sobre la aproximación de las legislaciones de los Estados miembros relativas a la compatibilidad electromagnética y que abroga la Directiva 89/336/CEE, según las siguientes normas:
EN 61000-6-2:2005, EN 61000-6-3:2007+A1:2011

El producto también es conforme con la siguiente directiva según los requisitos previstos por las "cuasi máquinas":

- Directiva 2006/42/CE DEL PARLAMENTO EUROPEO Y DEL CONSEJO del 17 de mayo de 2006 relativa a las máquinas y que modifica la Directiva 95/16/CE (refusión).
 - Se declara que la documentación técnica correspondiente ha sido realizada de conformidad con el anexo VII B de la Directiva 2006/42/CE y que se han respetado los siguientes requisitos esenciales: 1.1- 1.1.2- 1.1.3- 1.2.1-1.2.6- 1.5.1-1.5.2- 1.5.5- 1.5.6- 1.5.7- 1.5.8- 1.5.10- 1.5.11
 - El fabricante se obliga a transmitir a las autoridades nacionales, como respuesta a una solicitud motivada, las informaciones pertinentes sobre la "cuasi máquina", sin perjuicio de imprejuizar los propios derechos de propiedad intelectual.
 - Si la "cuasi máquina" fuera puesta en servicio en un País europeo con un idioma oficial diferente de aquel utilizado en esta declaración, el importador tendrá la obligación de anexas a la presente declaración la traducción correspondiente.
 - Se advierte que la "cuasi máquina" no deberá ponerse en servicio hasta que la máquina final donde será incorporada no sea declarada conforme, en su caso, a las disposiciones de la Directiva 2006/42/CE..

El producto también es conforme a las siguientes normas:

EN 60335-1:2002 + A1:2004 + A11:2004 + A12:2006 + A2:2006 + A13:2008 + A14:2010 + A15:2011
EN 60335-2-103:2003+A11:2009

El producto, con limitación a las partes aplicables, también cumple con las siguientes normas:

EN 13241-1:2003+A1:2011, EN 12445:2002, EN 12453:2002, EN 12978:2003+A1:2009

Oderzo, 5 de noviembre de 2014

Ing. Mauro Sordini (Chief Executive Officer)



Inhaltsverzeichnis

Darstellungen

1 - ALLGEMEINE SICHERHEITSHINWEISE UND MASSNAHMEN	1
1.1 - Sicherheitshinweise	1
1.2 - Hinweise zur Installation	1
1.3 - Hinweise zur Bedienung	1
2 - PRODUKTBESCHREIBUNG UND EINSATZ	1
3 - INSTALLATION	2
3.1 - Überprüfungen vor der Installation	2
3.2 - Einsatzgrenzen	2
3.3 - Vorbereitungen für die Installation	2
3.4 - Installation des Torantriebs Mod. HK7024 - HK7224 - HK7024HS - HK7224HS	2
3.5 - Einstellung der mechanischen Endanschläge	4
3.6 - Manuelles Blockieren und Entriegeln des Antriebs	4
4 - ELEKTRISCHE ANSCHLÜSSE	4
4.1 - Elektrische Anschlüsse des Torantriebs mit Steuerung Mod. HK7024 - HK7024HS	4
4.2 - Elektrische Anschlüsse des Torantriebs ohne Steuerung Mod. HK7224 - HK7224HS	4
4.3 - Verbindung sonstiger Vorrichtungen	5
4.4 - Adressierung der angeschlossenen Vorrichtungen	5
4.5 - Erstes Einschalten und Überprüfung der Anschlüsse	5
4.6 - Erlernung der verbundenen Vorrichtungen	5
4.7 - Erlernung der Positionen der mechanischen Endanschläge	5
4.8 - Überprüfung der Torflügelbewegung	6
5 - ABNAHME UND INBETRIEBSETZUNG	6
5.1 - Abnahme	6
5.2 - Inbetriebsetzung	7
6 - PROGRAMMIERUNG DER STEUERUNG	7
6.1 - Programmierung erstes Niveau (ON-OFF)	7
6.2 - Zweites Niveau: Programmierung (einstellbare Parameter)	8
6.3 - Spezielle Funktionen	9
6.4 - Löschen des Speichers	9
7 - WAS TUN, WENN... (Leitfaden zum Lösen von Problemen)	9
8 - WEITERE AUSKÜNFTE	11
8.1 - Anschluss eines Funkempfängers	11
8.2 - Anschluss und Installation der Pufferbatterie Mod. PS124	11
8.3 - Anschluss des Oview-Programmiers	11
8.4 - Anschluss des Systems an die Solemyo-Solarenergie	11
8.5 - Anschluss des externen Entriegelungssystems Kio	11
9 - WARTUNG DES PRODUKTES	12
ENTSORGUNG DES PRODUKTES	12
Produktlebensdauer	12
TECHNISCHE MERKMALE DES PRODUKTS	13
CE-KONFORMITÄTSERKLÄRUNG	14
ANHANG	I
Anweisungen und Hinweise für den Benutzer	VI

1 HINWEISE UND ALLGEMEINE SICHERHEITSMASSNAHMEN

1.1 - Sicherheitshinweise

- **ACHTUNG!** – Das vorliegende Handbuch enthält wichtige Anweisungen und Hinweise zur Sicherheit. Eine falsche Installation kann zu schweren Verletzungen führen. Vor Arbeitsbeginn muss die ganze Gebrauchsanleitung aufmerksam durchgelesen werden. Bei Zweifeln, die Installation unterbrechen und den Kundendienst Nice um Klärung bitten.
- **ACHTUNG!** – Wichtige Anweisungen: für Wartungseingriffe und die Entsorgung des Produkts ist diese Gebrauchsanweisung sorgfältig aufzubewahren.
- **ACHTUNG!** – Nach der neusten Europäischen Gesetzgebung muss die Ausführung einer Automatiktür oder eines ebensolchen Tors den Normen der Richtlinie 2006/42/CE (vorher 98/37/EG) (Maschinenrichtlinie) und im Besonderen den Normen EN 12445; EN 12453; EN 12635 und EN 13241-1 entsprechen, durch sie wird die vorausgesetzte Konformität der Automation erklärt. In Anbetracht dessen, müssen alle Installations- und Anschlussarbeiten, die Endabnahme und Wartung des Produkts ausschließlich von zuständigen und qualifizierten Technikern durchgeführt werden!

1.2 - Installationshinweise

- Vor Installationsbeginn prüfen, ob sich das Produkt für den gewünschten Einsatz eignet (siehe "Einsatzgrenzen" Absatz 3.2 und "Technische Merkmale des Produkts"). Erweist es sich als ungeeignet, die Installation NICHT vornehmen.
- Der Inhalt dieses Handbuchs bezieht sich auf eine typische Anlage, wie in **Abb. 3** beschrieben wird.
- Bei allen Installations- und Wartungsarbeiten muss die Automation vom Stromnetz abgetrennt sein. Wenn die Abtrennvorrichtung vom Unterbringungsort der Automatisierung nicht zu sehen ist, muss vor Beginn der Arbeiten auf der Abtrennvorrichtung ein Schild mit der Schrift "ACHTUNG! LAUFENDE WARTUNG" angebracht werden.
- Das Steuergerät muss an eine Stromleitung mit einer sicheren Erdung angeschlossen werden.
- Das Produkt während der Installation vorsichtig handhaben, um Quetschungen, Schläge, Herunterfallen oder Berührung mit Flüssigkeiten gleich welcher Natur zu vermeiden. Das Produkt keiner Wärmequelle oder einer offenen Flamme aussetzen. All dies kann zu Beschädigungen führen und Betriebsstörungen oder gefährliche Situationen hervorrufen. Sollte dies der Fall sein, die Installation sofort abbrechen und den Kundendienst Nice verständigen.
- An keinem Teil des Produkts Änderungen vornehmen. Nicht zulässige Eingriffe verursachen nur Störungen. Für willkürliche Änderungen des Produkts übernimmt der Hersteller keine Haftung.
- Falls das zu automatisierende Tor eine Gehtür hat, muss mit einem Kontrollsystem dafür gesorgt werden, dass der Motorbetrieb bei offener Gehtür unterdrückt ist.
- Das Verpackungsmaterial des Produkts muss unter Beachtung der örtlichen Bestimmungen entsorgt werden.

1.3 - Gebrauchshinweise

- Das Produkt darf nicht von Personen (einschließlich Kinder) mit eingeschränkten körperlichen, geistigen oder wahrnehmlich gestörten Fähigkeiten oder fehlender Erfahrung oder Kenntnis benutzt werden, es sei denn, eine für ihre Sicherheit verantwortliche Person überwacht sie oder unterweist sie im Gebrauch des Produkts.
- Kinder, die sich in der Nähe der Automatisierung aufhalten, müssen beaufsichtigt werden, damit sie nicht mit der letzteren spielen.
- Kinder dürfen nicht mit den befestigten Bedienelementen spielen. Die tragbaren Bedienelemente (Fernbedienungen) gehören nicht in Kinderhände.

2 PRODUKTBESCHREIBUNG UND BESTIMMUNGSZWECK

Die Vorrichtungen, aus denen sich dieses Produkt zusammensetzt, sind zur Automatisierung eines Tors oder einer Tür mit einem oder Flügeln bestimmt. **ACHTUNG!** – Jeder andere Gebrauch als der in dieser Gebrauchsanweisung beschriebene in abweichenden Umfeldbedingungen ist als unsachgemäß anzusehen und verboten!

Der Hauptteil der Automatisierung besteht aus einem oder zwei elektromechanischen Getrieben (nach der Anzahl der Flügel, die zu automatisieren sind), ein jedes verfügt über einen Gleichstrommotor und ein Planetengetriebe. Eines der Getriebe (Mod. HK7024 - HK7024HS) ist mit einem Steuergerät ausgerüstet, das den Betrieb regelt. Das Steuergerät besteht aus einer Karte mit eingebautem Funkempfänger für den Empfang der Befehle, die vom Sender übertragen werden. Das Steuergerät ist für den Anschluss an verschiedene Vorrichtungen der Systeme Opera, Bluebus und an das Solarenergiesystem Solemyo vorgerüstet, siehe Kapitel 8 - Vertiefungen.

Wenn es vom Stromnetz gespeist wird, kann es eine Pufferbatterie aufnehmen (Mod. PS124, optionales Zubehör), die bei Stromausfall (elektrischer Blackout) dafür sorgt, dass die Automatik in den nächsten Stunden einige Manöver ausführen kann.

Bei einem Stromausfall können die Torflügel durch Entriegelung des Getriebes mit dem entsprechenden Schlüssel bewegt werden; für das Manöver von Hand siehe Kapitel 3.6.

Ein weiteres lieferbares Zubehör sind die Empfänger, die mit der Steckverbindung "SM" (SMXI, OXI, usw.) vorgerüstet sind, siehe Kapitel 8 - Vertiefungen.

DE

3 INSTALLATION

3.1 - Überprüfungen vor der Installation

Vor der Installation ist die Unversehrtheit der Produktbauteile, die Eignung des gewählten Modells und des Installationsortes zu prüfen.

- Prüfen, dass das gesamte zu verwendende Material in einem optimalen Zustand ist und sich für den vorgesehenen Zweck eignet.
- Prüfen, dass in der Anlage die mechanischen Arretierungen sowohl bei der Schließung als auch bei der Öffnung am Boden (gehören nicht zum Lieferumfang) vorhanden sind.
- Prüfen, ob sich der mechanische Aufbau des Tors für eine Automatisierung eignet und den gesetzlichen Bestimmungen des betreffenden Landes entspricht (ggf. die Daten des Toraufklebers zu Hilfe nehmen). Ein nicht bereits effizientes und sicheres Tor kann mit diesem Produkt nicht automatisiert werden. Darüber hinaus kann es keine Mängel beseitigen, die durch eine falsche Installation des Tors oder seine vernachlässigte Wartung verursacht wurden.
- Prüfen, ob die Betriebsbedingungen der Vorrichtungen mit den erklärten Einsatzgrenzen kompatibel sind (siehe Absatz 3.2).
- Von Hand die Torflügel in beide Richtungen bewegen, sich dabei vergewissern, dass die Bewegung mit einer konstanten Reibung über den gesamten Torlauf erfolgt (es dürfen keine Stellen vorhanden sein, die einen geringeren oder stärkeren Kraftaufwand verlangen).
- Von Hand die Torflügel in eine beliebige Stellung bringen, sie anhalten und sicher stellen, dass sie sich nicht bewegen.
- Prüfen, ob der Befestigungsbereich des Getriebes für den Platzbedarf des letzteren ausreicht (**Abb. 1**).
- Im Umfeld, in dem das Getriebe installiert wird, muss ausreichend Platz für die komplette Rotation seines Auslegers sein (siehe Abb. 7).
- Sich vergewissern, dass in Getriebehöhe ausreichend Platz für die Entriegelung des Getriebes von Hand vorhanden ist.
- Sich vergewissern, dass die Oberflächen, die für die Installation der einzelnen Vorrichtungen gewählt wurden, solide sind und eine stabile Befestigung gewährleisten.
- Prüfen, ob jede Vorrichtung, die installiert wird, sich in einer geschützten Stellung befindet und vor Schlägen sicher ist.
- Prüfen, dass alle Elektrokabel, die benutzt werden, den Angaben der **Tabelle 1** entsprechen.

3.2 - Einsatzgrenzen

Vor der Installation des Torantriebs muss geprüft werden, ob seine Daten innerhalb der folgenden Einsatzgrenzen und den Werten liegen, die im Kapitel "Technische Produkteigenschaften" aufgeführt sind:

Mit dem Arm des Motors bei VOLLER Länge:

- **Höchstbreite des Flügels:** 3,50 m (= **Höchstgewicht des Flügels:** 200 kg)

Mit dem Arm des Motors bei REDUZIERTER Länge:

- **Höchstbreite des Flügels:** 3,00 m (= **Höchstgewicht des Flügels:** 180 kg)

VERSION HS:

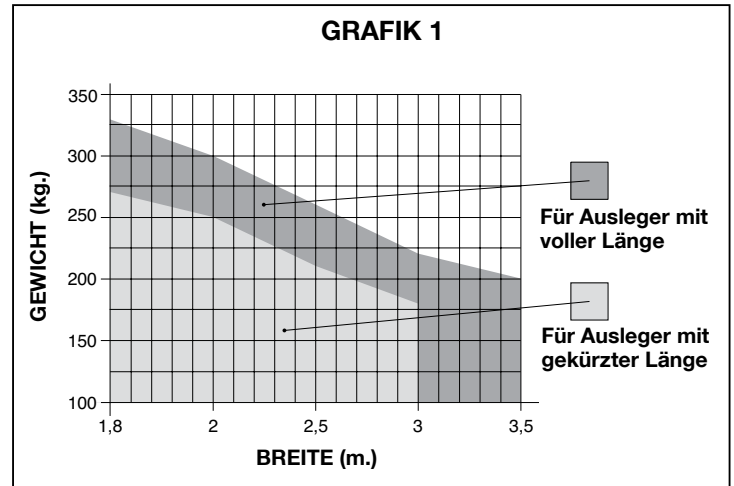
Mit dem Arm des Motors bei VOLLER und REDUZIERTER Länge:

- **Höchstbreite des Flügels:** 3,00 m (= **Höchstgewicht des Flügels:** 180 kg)

- Auszuführende Prüfung: Auf der nebenstehenden **Graphik 1** das Gewicht und die Breite des Flügels vermerken; von diesen Punkten aus zwei Linien zeichnen und sicherstellen, dass sich diese in einem der beiden **grauen Bereiche** der Graphik überkreuzen. **Achtung!** - Wenn sich die Linien im weißen Bereich überkreuzen ist es nicht möglich, dieses Produkt zur Automatisierung des Tors zu verwenden.
- Um die Installation des Torantriebs zu ermöglichen, muss die Mindestbreite des Pfeilers 210 mm betragen.
- Der Befestigungsbügel des Arms muss in einem robusten Bereich des Flügels sein (zum Beispiel der Rahmen), um eine solide und sichere Befestigung zu gewährleisten.
- Das **Maß "E"** prüfen (**Abb. 2**):
 - Wenn das **Maß "E"** einen Wert zwischen 300 mm (mindestens) und 650

mm (höchstens) aufweist, muss der Arm des Torantriebs mit REDUZIERTER Länge eingestellt werden. Unter diesen Bedingungen kann das Maß der Höchstöffnung des Flügels bis zu 90° erreichen.

- Wenn das **Maß "E"** einen Wert gleich oder über 650 mm aufweist, muss der Arm des Torantriebs mit VOLLER Länge eingestellt werden. Unter diesen Bedingungen kann das Maß der Höchstöffnung des Flügels bis zu 110° erreichen.



3.3 - Vorbereitungen für die Installation

Die **Abb. 3** zeigt ein Beispiel einer Automatisierungsanlage, die mit Nice-Bestandteilen ausgeführt wurde (einige Bestandteile könnten nicht im Bausatz inbegriffen sein):

- a - Torantrieb mit Steuerung Mod. HK7024 - HK7024HS
- b - Torantrieb ohne Steuerung Mod. HK7224 - HK7224HS
- c - Blinkmeldeleuchte
- d - Lichtschrankenpaar Mod. MOFB
- e - Digitaltastatur (Mod. MOTB) – Transponder-Lesegerät (Mod. MOMB) – Schlüsseltaster (Mod. MOSE)
- f - Säulenpaar für Lichtschranken
- g - Mechanischer Stopp während des Schließens
- h - Elektroschloss

Diese Bestandteile werden gemäß einem typischen und gewöhnlich angewendeten Schema angeordnet. In Bezug auf **Abb. 3**, wird die ungefähre Position festgesetzt, in der jedes in der Anlage vorgesehene Teil installiert wird. **Wichtig** – Vor der Ausführung der Installation werden die für Ihre Anlage notwendigen Stromkabel vorbereitet, wofür man sich auf **Abb. 4** und die "**Tabelle 1 - Technische Eigenschaften der Stromkabel**" bezieht.

Achtung – Während des Verlegens der Rohre für die Stromkabel muss beachtet werden, dass aufgrund möglicher Wasserablagerungen in den Abzweigschächten die Verbindungsrohre Kondenswasser in der Steuerung verursachen können und somit die elektronischen Kreise beschädigen könnten.

3.4 - Installation des Torantriebs Mod. HK7024 - HK7224 - HK7024HS - HK7224HS

HINWEISE

- Eine falsche Installation kann schwerwiegende Verletzungen der die Arbeit ausführenden und die Anlage verwendenden Personen hervorrufen.
- Vor dem Zusammenbau der Automatisierung müssen die Vorprüfungen laut Abschnitt 3.1 und 3.2 ausgeführt werden.

Vor der Installation muss die Länge des Arms des Torantriebs bestimmt werden – siehe Abschnitt 3.4.1.

3.4.1 - Die Länge des Arms des Torantriebs bestimmen

01. Die Bestandteile zusammensetzen, die den Arm des Motors wie in **Abb. 5**

TABELLE 1 - Technische Eigenschaften der Stromkabel (Abb. 4)

Anschluss	Kabelart	Zugelassene Höchstlänge
A: Kabel SPEISUNG STEUERUNG	1 Kabel 3 x 1,5 mm ²	30 m (Anmerkung 1)
B: Kabel ELEKTROSCHLOSS	1 Kabel 2 x 1 mm ²	6 m
C: Kabel BLUEBUS-VORRICHTUNGEN	1 Kabel 2 x 0,5 mm ²	20 m (Anmerkung 2)
D: Kabel SCHLÜSSELTASTER	2 Kabel 2 x 0,5 mm ² (Anmerkung 3)	50 m
E: Kabel SPEISUNG TORANTRIEB Kabel ANSCHLUSS ENCODER	1 Kabel 3 x 1,5 mm ² (Anmerkung 4) 1 Kabel 2 x 1 mm ² (Anmerkung 4)	10 m 10 m
F: Kabel BLINKLEUCHE mit Antenne	1 Kabel 2 x 0,5 mm ² 1 geschütztes Kabel Typ RG58	20 m 20 m (unter 5 m empfohlen)

Anmerkung 1 – Wenn das Speisungskabel 30 m Länge überschreitet, muss ein Kabel mit einem größeren Schnitt verwendet werden (3 x 2,5 mm²) und es ist notwendig, eine Erdung in der Nähe der Automatisierung zu installieren.

Anmerkung 2 – Wenn das Kabel Bluebus 20 m Länge überschreitet und bis zu max. 40 m erreicht, muss ein Kabel mit einem höheren Schnitt verwendet werden (2 x 1 mm²).

Anmerkung 3 – Diese 2 Kabel können von einem einzigen Kabel 4 x 0,5 mm² ersetzt werden.

Anmerkung 4 – Diese Kabel können von einem einzigen Kabel 5 x 1,5 mm² ersetzt werden.

ACHTUNG! – Die verwendeten Kabel müssen für die Umgebung geeignet sein, in der die Installation erfolgt.

gezeigt zusammensetzen;

02. Die Position des Torantriebs VERTIKAL festsetzen:

Auf dem Pfeiler eine waagrechte Linie auf derselben Höhe anzeichnen, auf der sich der Befestigungsbügel des Arms am Flügel nach der Installation befinden wird (Abb. 6).

03. Die Position des Torantriebs HORIZONTAL festsetzen (Maß A):

ACHTUNG! - Wenn in der Nähe des Installationsbereichs ein festes Hindernis vorliegt (Mauer, Baum, usw.), muss das **Maß E** (Abb. 2) gemessen und wie folgt vorgegangen werden:

• Wenn das **Maß E** ein Wert gleich oder über 650 mm ist, siehe Abschnitt 3.4.2

• Wenn das **Maß E** ein Wert zwischen 300 mm (mindestens) und 650 mm (höchstens) ist, siehe Abschnitt 3.4.3

3.4.2 - Installation des Torantriebs mit ARM AUF GANZER LÄNGE

01. a) Auf dem Pfeiler das **Maß B** messen (Abb. 7) = Distanz zwischen Drehpunkt des Flügels und Oberfläche des Pfeilers, wo der interne Bügel des Torantriebs befestigt wird.

b) Den Flügel bis zur gewünschten Öffnung bringen (höchstens 110°): Winkelwert.

c) Auf der **Graphik 2** das gefundene **Maß B** anzeichnen und von diesem Punkt aus eine waagrechte Linie zeichnen, bis der **Bereich** berührt wird, der den Wert des unter Punkt **b** gemessenen Werts einschließt.

d) An den Schnittpunkten zwischen der **waagrechten Linie und dem Bereich** vertikale Linien zeichnen und die Werte bestimmen, die für das **Maß A** genutzt werden können (Abb. 8). **Dann in dieser Spannweite den Wert A wählen.**

e) Auf dem Pfeiler den gefundenen Wert des **Maßes A** aufzeichnen und eine vertikale Linie zeichnen.

02. Den Bügel am Pfeiler befestigen (Abb. 9):

f) **Phase 1-2:** Den Bügel auf den Pfeiler legen und seine vertikale Mittellinie mit der zuvor gezeichneten vertikalen Linie (Maß A) übereinstimmen, und seinen Arm mit der während des Verfahrens 3.4.1 gezeichneten waagrechten Linie übereinstimmen. In dieser Phase sicherstellen, dass der Torantrieb perfekt nivelliert ist: Ein achsveretzter Torantrieb kann mangelhafte Funktionen der Automatisierung hervorrufen.

g) **Phase 3-4:** Die Befestigungspunkte anzeichnen, die Oberfläche des Pfeilers durchbohren und die Dübel einsetzen; nun wird der Bügel mit passenden Schrauben und Scheiben befestigt.

03. Den Arm des Torantriebs auf dem Flügel befestigen:

h) Den Flügel des Tors in die maximale Öffnungsstellung bringen;

i) **Phase 5:** Den Torantrieb mit den zwei mitgelieferten Schrauben und Muttern an den Bügel befestigen;

l) Den Torantrieb lösen, siehe Kap. 3.6;

m) **Phase 6:** Den Arm des Torantriebs **bis zu seiner höchsten Ausweitung** fest aufdrücken. **Achtung!** - Sicherstellen, dass der Arm an seinem Endanschlag blockiert wird;

n) Den Arm dem Flügel näher und auf diesen den Befestigungsbügel legen.

o) **Phase 7:** Sicherstellen, dass der Arm des Torantriebs nivelliert ist und mit einem Bleistift **die Mitte** des Profils der **Bügelanglöcher** zeichnen, um in Zukunft eine Feineinstellung des Flügelverschlusses zu ermöglichen (siehe Abschnitt 4.8).

p) Mit einer Hand wird der Bügel in Berührung mit dem Flügel gehalten, dann eine vollständige Öffnung und Schließung ausgeführt.

q) **Phase 8:** Den Flügel in den angezeigten Punkten durchbohren und den Bügel vom Arm nehmen und an den Flügel des Tors mit den geeigneten Schrauben befestigen.

r) **Phase 9:** Den Arm am Bügel befestigen, hierzu den Stift und die mitgelieferte Benzing-Sicherungsscheibe einfügen. **Wichtig** – Prüfen, ob der Bügel und der Arm einwandfrei nivelliert sind. Eventuell die Schrauben des Bügels lockern und nivellieren.

s) Die Befestigungen der mechanischen Endanschläge platzieren; siehe Kap. 3.5;

t) **Phase 10:** Dann den Torflügel von Hand auf ca. Laufhälfte verschieben und den Torantrieb mit dem passenden Schlüssel blockieren (siehe Kap. 3.6). Dann von Hand den Flügel um wenige Zentimeter in Öffnungsrichtung versetzen.

04. Falls das zu automatisierende Tor zweiteilig ist, wiederholen Sie die im Abschnitt 3.4 beschriebenen Vorgänge für die Installation des zweiten Torantriebs.

3.4.3 - Installation des Torantriebs mit ARM AUF REDUZIERTER LÄNGE

ACHTUNG! – Mit dieser Konfiguration beträgt die max. Öffnung des Flügels 90°.

01. a) Auf dem Pfeiler das **Maß B** messen (Abb. 7) = Distanz zwischen Drehpunkt des Flügels und Oberfläche des Pfeilers, wo der interne Bügel des Torantriebs befestigt wird.

b) Auf der **Graphik 2** das gefundene **Maß B** anzeichnen und von diesem Punkt aus eine waagrechte Linie zeichnen, bis der **Bereich** 90-95° berührt wird.

c) An den Schnittpunkten zwischen der **waagrechten Linie und dem Bereich** vertikale Linien zeichnen und die Werte bestimmen, die für das **Maß A** genutzt werden können (**Graphik 2**). **Dann in dieser Spannweite den Wert A wählen.**

d) Auf dem Pfeiler den gefundenen Wert des **Maßes A** aufzeichnen und eine vertikale Linie zeichnen.

02. Den Bügel am Pfeiler befestigen (Abb. 10):

e) **Phase 1-2:** Den Bügel auf den Pfeiler legen und seine vertikale Mittellinie mit der zuvor gezeichneten vertikalen Linie (Maß A) übereinstimmen, und seinen Arm mit der während des Verfahrens 3.4.1 gezeichneten waagrechten Linie übereinstimmen. In dieser Phase sicherstellen, dass der Torantrieb perfekt nivelliert ist: Ein achsveretzter Torantrieb kann mangelhafte Funktionen der Automatisierung hervorrufen.

f) **Phase 3-4:** Die Befestigungspunkte anzeichnen, die Oberfläche des Pfeilers durchbohren und die Dübel einsetzen; nun wird der Bügel mit passenden Schrauben und Scheiben befestigt.

g) Den Flügel des Tors in die maximale Schließstellung bringen;

h) **Phase 5:** Den Torantrieb mit den zwei mitgelieferten Schrauben und Muttern an den Bügel befestigen;

i) Den Torantrieb lösen, siehe Kap. 3.6.

03. Die Länge des gelochten Arms gegenüber dem Kontext prüfen:

l) **Phase 6:** Den Arm dem Flügel näher und auf diesen den Befestigungsbügel legen: **Achtung!** - **Mit den Händen den gebogenen Arm gegen den Flügel drücken, bis der Arm blockiert ist (Höchstöffnung).**

m) **Phase 7:** Sicherstellen, dass der Arm des Torantriebs nivelliert ist und mit einem Bleistift **die Mitte** des Profils der **Bügelanglöcher** zeichnen, um in Zukunft eine Feineinstellung des Flügelverschlusses zu ermöglichen (siehe Abschnitt 4.8).

n) Provisorisch den Bügel am Flügel befestigen und den Flügel in die Höchstöffnungsstellung bringen.

04. Den Arm des Torantriebs am Flügel befestigen:

o) **Phase 8:** Den Flügel an den zuvor angezeichneten Punkten durchbohren.

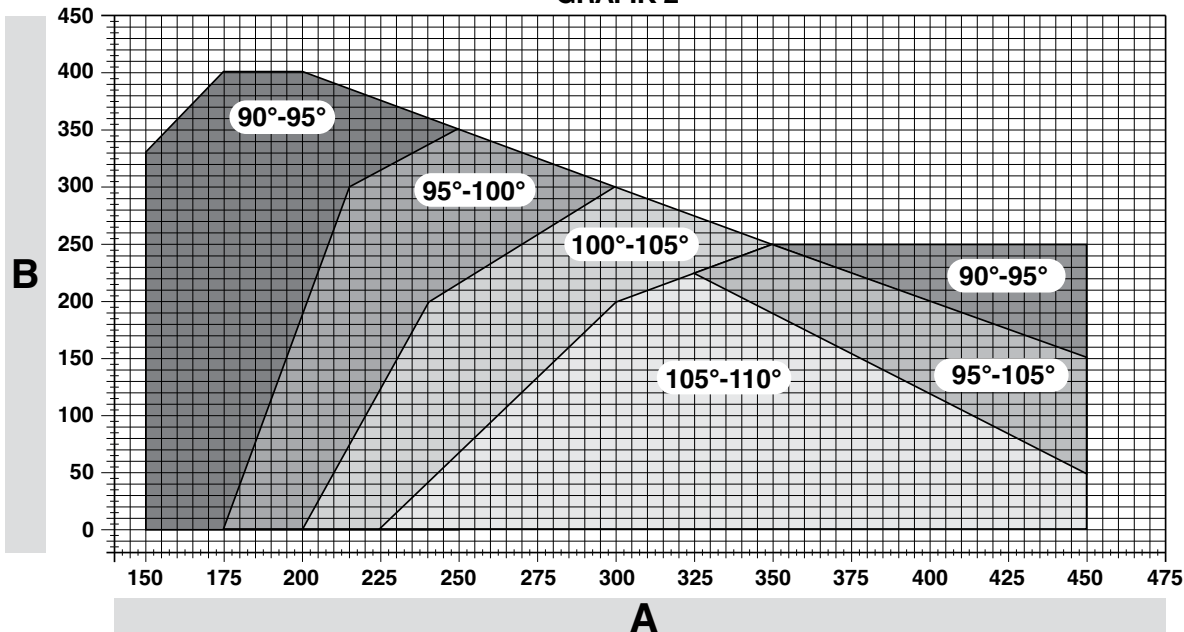
p) **Phase 9-10:** Den Bügel vom Arm nehmen und an dem Flügel des Tors mit den geeigneten Schrauben befestigen.

q) **Phase 11:** Den Arm am Bügel befestigen, hierzu den Stift und die mitgelieferte Benzing-Sicherungsscheibe einfügen. **Wichtig** – Prüfen, ob der Bügel und der Arm einwandfrei nivelliert sind. Eventuell die Schrauben des Bügels lockern und nivellieren.

r) Die Befestigungen der mechanischen Endanschläge platzieren; siehe Kap. 3.5.

s) **Phase 12:** Dann den Torflügel von Hand auf ca. Laufhälfte verschieben und den Torantrieb mit dem passenden Schlüssel blockieren (siehe Kap. 3.6). Dann von Hand den Flügel um wenige Zentimeter in Öffnungsrichtung versetzen.

GRAFIK 2



05. Falls das zu automatisierende Tor zweiteilig ist, wiederholen Sie die im Abschnitt 3.4 beschriebenen Vorgänge für die Installation des zweiten Torantriebs.

3.5 - Einstellung der mechanischen Endanschläge

- Die Flügel des Tors von Hand in die Höchstöffnungsstellung bringen;
- Die Kunststoffscheibe am unteren Teil des Torantriebs drehen, indem der Spalt unter dem Arm in die Position laut **Abb. 11-1** gebracht wird;
- Den Endanschlag in die erste mögliche Stellung bringen: Wie in **Abb. 11-2** gezeigt einfügen (Öffnungsrichtung);
- Die Scheibe so drehen, dass der Endanschlag nicht herunter fällt, wobei der Spalt in die Stellung laut **Abb. 11-3** platziert wird; für eine präzisere Einstellung auf die Einstellschraube einwirken (**Abb. 11-4**);
- Wenn in der Anlage kein Bodenverschluss vorliegt, muss der Vorgang ab Punkt 01 auch zur Einstellung des Endanschlags für das Schließen wiederholt werden;
- Dann die Befestigungsmutter der Scheibe gut anziehen (**Abb. 11-5**), um sicherzustellen, dass sie sich nicht plötzlich dreht.

3.6 - Manuelles Blockieren und Entriegeln des Antriebs

Der Antrieb ist mit einem mechanischen Entriegelungssystem ausgestattet, das die manuelle Öffnung und Schließung ermöglicht.

Diese manuellen Verfahren müssen bei Stromausfall oder Betriebsstörungen und während der Installation ausgeführt werden.

Entriegeln (Abb. 12-A):

- Den Schlüssel in das Schloss stecken;
- Den Schlüssel um 90° im Uhrzeigersinn drehen;
- Durch den Federeffekt kommt der Hebel heraus: Den Hebel um 90° gegen den Uhrzeigersinn drehen;
- Der Torflügel kann nun von Hand in die gewünschte Stellung verschoben werden.

Sperren (Abb. 12-B):

- Den Hebel um 90° drehen, wobei der Schaft senkrecht gestellt wird;
- Den Hebel bis zu seinem Sitz drücken;
- Den Schlüssel um 90° gegen den Uhrzeigersinn drehen und den Schlüssel herausziehen.

	- 2 NA- und NC-Vorrichtungen parallel anschließen, an den NC-Kontakt einen Widerstand mit 8,2kΩ serienmäßig anschließen (das ermöglicht auch die Kombination zwischen den 3 NA - NC-Vorrichtungen und 8,2 kΩ)
P.P.	Eingang für Steuervorrichtungen, die nach ihrem Eingriff die Bewegung im Schrittbetrieb hervorrufen; es besteht die Möglichkeit, NA-Kontakte anzuschließen
OPEN	Eingang für Steuervorrichtungen, die nach ihrem Eingriff nur die Öffnungsbewegung hervorrufen; es besteht die Möglichkeit, NA-Kontakte anzuschließen
CLOSE	Eingang für Steuervorrichtungen, die nach ihrem Eingriff nur die Schließbewegung hervorrufen; es besteht die Möglichkeit, NA-Kontakte anzuschließen
ENC1	Eingang Encoder - Torantrieb 1 (Klemme 1, 2), keine einzuhaltende Polarität
ENC2	Eingang Encoder - Torantrieb 2 (Klemme 4, 5), keine einzuhaltende Polarität
M1	Ausgang für Torantrieb 1 (Klemme 7, 8, 9)
M2	Ausgang für Torantrieb 2 (Klemme 10, 11, 12).
[*] Die Ausgänge FLASH, ELS und S.C.A. können mit anderen Funktionen programmiert werden (siehe "TABELLE 3 - Funktionen 1. Niveau"; oder durch den Oview-Programmierer, siehe Kapitel 8.3)	

4.1 - Elektrische Anschlüsse des Torantriebs mit Steuerung Mod. HK7024 - HK7024HS

ACHTUNG! - Die Stromanschlüsse erst nach der Installation des Torantriebs ausführen.

WICHTIGE HINWEISE!

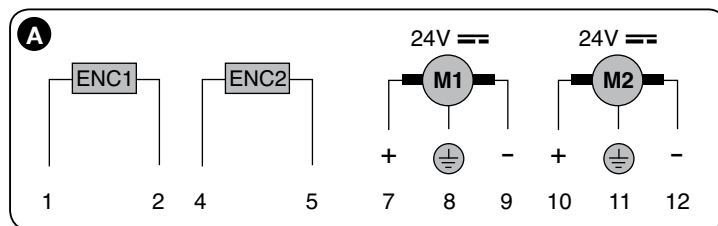
- Die Anschlussarbeiten dürfen nur von qualifiziertem Personal ausgeführt werden.

- Alle elektrischen Anschlüsse müssen ohne Netzspannung und bei getrennter Pufferbatterie (wenn diese in der Automatisierung vorliegt) ausgeführt werden.

- An der Netzstromleitung muss eine Vorrichtung vorgesehen werden, die die vollständige Trennung der Automatisierung vom Netz sichert. Die Trennungsvorrichtung muss Kontakte mit einer Öffnungsdistanz aufweisen, die eine vollständige Trennung unter den von der Überspannungskategorie III vorgesehenen Bedingungen ermöglicht sowie den Installationsregeln entsprechen. Bei Bedarf garantiert diese Vorrichtung ein schnelles und sicheres Abtrennen der Spannungsversorgung. Sie muss daher in Sichtweite der Automatisierung angebracht sein. Falls sie in nicht sichtbarer Stellung angebracht ist, muss sie - um Gefahren zu vermeiden - über ein System verfügen, das eine unbeabsichtigte oder nicht autorisierte Einschaltung der Spannungsversorgung blockiert. Die Abtrennvorrichtung wird nicht mit dem Produkt geliefert.

- Den Deckel öffnen (**Abb. 14-1**);
- Die Steuerung anheben (**Abb. 14-2**);
- Das Speisekabel und die anderen Stromkabel durch eine der im unteren Bereich des Torantriebs vorliegenden Bohrungen ziehen; die vorliegende Hülle muss durchgeschnitten werden (**Abb. 14-4**);
- Die Kabelverschraubung abschrauben und das Speisekabel auf die hierfür vorgesehene Bahn legen (**Abb. 14-5**);
- Zuerst das Speisekabel anschließen, siehe **Abb. 14-6**;
- Das Speisekabel mit der Kabelverschraubung befestigen (**Abb. 14-7**);
- Nun die Stromkabel der Motoren M1 und M2 anschließen, wobei die Symbole auf der Etiketle eingehalten werden (**Abb. A**):
 - An die Klemme M1 (7-8-9) den Motor anschließen, der den unteren Flügel antreibt (der zweite, der die Öffnungsbewegung beginnt) und dann den jeweiligen Encoder an die Klemmen 1-2;
 - An die Klemme M2 (10-11-12) den Motor anschließen, der den oberen Flügel antreibt (der erste, der die Öffnungsbewegung beginnt) und dann den jeweiligen Encoder an die Klemmen 4-5;

WICHTIG! - Wenn in der Anlage nur ein Torantrieb vorliegt, muss er an die Klemme M2 angeschlossen und die Klemme M1 freigelassen werden.



- Nun die Stromkabel der verschiedenen vorhandenen Stromkabel anschließen, wobei man sich auf **Abb. 17** bezieht (siehe Abschn. 4.3). **Anmerkung** - Zur Erleichterung der Kabelanschlüsse können die Klemmen aus ihren Einsätzen gezogen werden;
- Den Deckel des Torantriebs wieder schließen (**Abb. 14-8**).

4.2 - Elektrische Anschlüsse des Torantriebs ohne Steuerung Mod. HK7224 - HK7224HS

- Den Deckel öffnen, wie in **Abb. 15-1** gezeigt wird;
- Das Motorenkabel durch eine der im unteren Bereich des Torantriebs vorliegenden Bohrungen ziehen; die vorliegende Hülle muss durchgeschnitten

4 ELEKTRISCHE ANSCHLÜSSE

Der Stromanschluss der verschiedenen Vorrichtungen (Lichtschranken, Digtaltastaturen, Transponder-Kartenlesegeräte usw.) in der Automatisierung mit Steuerung muss über das Nice-Bluebus-System ausgeführt werden.

Beschreibung der elektrischen Anschlüsse (fig. 13)

ANTENNE	Eingang für die Antenne eines Funkempfängers
FLASH	Ausgang für 1 Blinkleuchte mit 12V-Lampe (höchstens 21 W). [*]
ELS	Ausgang für Elektroschloss 12 Vac (höchstens 15 VA). [*]
S.C.A.	"Kontrolllampe Tor Auf": Ausgang für 1 Blinkleuchte mit 24V-Lampe (höchstens 4 W).[*]
BLUEBUS	Eingang für kompatible Vorrichtungen (MOFB, MOFOB, MOB und MOTB); Anschluss der Vorrichtungen parallel auf 2 Leitern, auf denen die Stromversorgung wie die Kommunikationssignale verlaufen; keine einzuhaltende Polarität. Der zu verwendende Stromanschluss erfolgt parallel, wobei keine Polaritäten eingehalten werden müssen. Während der Erlernungsphase wird jede an der Steuerung angeschlossene Vorrichtung dank eines unverwechselbaren Codes einzeln von dieser erkannt. Wenn eine Vorrichtung zugefügt oder beseitigt wird, muss die Erlernung dieser durch die Steuerung ausgeführt werden (siehe Abschnitt 4.6).
STOP	Eingang für Vorrichtungen, die mit ihrem Eingriff den sofortigen Stopp der vorliegenden Bewegung hervorrufen, der eine kurze Umkehrung folgt; die Möglichkeit, NA-, NC- Kontakte anzuschließen oder Vorrichtungen mit einem Ausgang mit einem konstanten Widerstand 8,2 kΩ (Schaltleisten). Jede an diesem Eingang angeschlossene Vorrichtung wird während der Erlernung durch die Steuerung einzeln erkannt (Abschnitt 3.4); in dieser Phase wird ein STOPP hervorgerufen, wenn die Steuerung eine Änderung gegenüber dem erlernten Zustand erfasst. Es ist möglich, an diesen Eingang eine oder mehrere, auch unterschiedliche Vorrichtungen anzuschließen: <ul style="list-style-type: none"> - mehrere NA-Vorrichtungen können miteinander in unbegrenzter Menge parallel angeschlossen werden; - mehrere NC-Vorrichtungen ohne Mengenbegrenzung serienmäßig anschließen; - 2 Vorrichtungen mit Ausgang mit konstantem Widerstand 8,2 kΩ parallel anschließen. Wenn mehr als 2 Vorrichtungen vorliegen, müssen sie mit nur einem 1 Endwiderstand mit 8,2 kΩ kaskadengeschaltet werden;

- werden (Abb. 15-2);
03. Die Kabelverschraubung abschrauben (Abb. 15-3), das Kabel auf die entsprechende Bahn legen und die Kabel anschließen, siehe Abb. 16-4; die Symbole auf der Etikette einhalten;
 03. Das Kabel mit der Kabelverschrauben befestigen (Abb. 15-5);
 04. Den Deckel des Torantriebs wieder schließen (Abb. 15-6).

4.3 - Verbindung sonstiger Vorrichtungen

Wenn weitere in der Anlage vorliegende Vorrichtungen, wie zum Beispiel ein Transponder-Kartenlesegerät oder die Beleuchtung für den Schlüsselwählschalter gespeist werden müssen, können diese Vorrichtungen an die Steuerung über die Klemmen P.P. (Plus) und STOP (Minus) angeschlossen werden (Abb. 13). Die Stromspannung beträgt 24 Vcc (-30% ÷ +50%) mit einem maximal erhaltlichen Strom von 200 mA.

Anmerkung – Die verfügbare Spannung in den Klemmen "P.P." und "STOP" verbleibt auch, wenn die Funktion "Stand By" in der Karte aktiviert wird.

4.4 - Adressierung der mit angeschlossenen Vorrichtungen

Um der Steuerung zu ermöglichen, die am System Bluebus angeschlossenen Vorrichtungen zu erkennen, muss die Adressierung dieser ausgeführt werden. Dieser Vorgang muss durch die korrekte Positionierung der in jeder Vorrichtung vorliegenden Brücke vorgenommen werden. Siehe Abb. B. Um die Adressierung anderer Vorrichtungen auszuführen, müssen die jeweiligen Gebrauchsanleitungen gelesen werden. Am Ende der Installation oder nach der Entfernung der Lichtschranken oder anderer Vorrichtungen ist es notwendig, das Erlernungsverfahren dieser vorzunehmen, siehe Abschnitt 4.6.

B

ADRESSEN DER LICHTSCHRANKEN	
Lichtschranke	Überbrückungen
FOTO Lichtschranke außen h = 50 mit Auslösung während Schließung (stoppt und kehrt die Bewegung um)	
FOTO II Lichtschranke außen h = 100 mit Auslösung während Schließung (stoppt und kehrt die Bewegung um)	
FOTO 1 Lichtschranke innen h = 50 mit Eingriff während Schließung (stoppt und kehrt die Bewegung um), wie auch während der Öffnung (stoppt und geht weiter, wenn die Lichtschranke frei ist)	
FOTO 1 II Lichtschranke innen h = 100 mit Eingriff während Schließung (stoppt und kehrt die Bewegung um), wie auch während der Öffnung (stoppt und geht weiter, wenn die Lichtschranke frei ist)	
FOTO 2 Lichtschranke innen mit Auslösung während Öffnung (stoppt und kehrt die Bewegung um)	
FOTO 2 II Lichtschranke innen mit Auslösung während Öffnung (stoppt und kehrt die Bewegung um)	
FOTO 3 UNERLAUBTE KONFIGURATION	

4.5 - Ersteinrichtung und Prüfung der Anschlüsse

Nachdem die Steuerung mit Strom gespeist wurde, die folgenden Prüfungen vornehmen:

- Nach einigen Sekunden prüfen, ob die Led "Bluebus" (Abb. 16) regelmäßig mit 1 Blinken pro Sekunde blinkt;
 - prüfen, ob die Leds der Lichtschranken (Abb. 16) – TX und RX – blinken. Die in dieser Phase abgegebene Blinkart ist unbedeutend;
 - Prüfen, ob die am Ausgang FLASH angeschlossene Blinkleuchte ausgeschaltet ist.
- Wenn all dies nicht erfolgt, muss der Steuerung die Stromspeisung genommen und die verschiedenen zuvor ausgeführten Stromanschlüsse kontrolliert werden.

4.6 - Erlernung der verbundenen Vorrichtungen

Nachdem die Ersteinrichtung ausgeführt wurde, müssen der Steuerung die

an den Eingängen "Bluebus" und "Stop" angeschlossenen Vorrichtungen zur Erkennung gegeben werden.

ACHTUNG! – Die Erlernungsphase muss auch ausgeführt werden, wenn mit der Steuerung keine Vorrichtung verbunden ist.

Die Steuerung ist in der Lage, die einzelnen angeschlossenen Vorrichtungen dank der Erlernung zu erkennen und die möglichen vorliegenden Störungen zu erfassen. Hierzu ist es notwendig, die Erlernung der Vorrichtungen jedes Mal dann auszuführen, wenn eine dieser zugefügt oder entfernt wird.

Die Led "L1" und "L2" in der Steuerung (Abb. 16), blinken langsam, um anzuzeigen, dass es notwendig ist, die Erfassung auszuführen:

01. Die Tasten "◀" und "Set" (Abb. 16).
02. Die Tasten loslassen, wenn die Leds "L1" und "L2" sehr schnell zu blinken beginnen (nach ca. 3 Sekunden).
03. Einige Sekunden abwarten, bis die Steuerung die Erlernungsphase der Vorrichtungen abgeschlossen hat.
04. Am Ende dieser Phase muss die Led "Stop" eingeschaltet und die Leds "L1" und "L2" müssen ausgeschaltet sein (die Leds "L3" und "L4" könnten zu blinken beginnen).

4.7 - Erlernung der Positionen der mechanischen Endanschläge

Nach der Erlernung der angeschlossenen Vorrichtungen (Abschnitt 4.6) ist es notwendig, die Erlernung der Positionen der mechanischen Anschläge vorzunehmen (Höchstöffnung und -schließung). Dieses Verfahren kann auf 3 Arten vorgenommen werden: **Automatisch, manuell und gemischt.**

Im **Automatikmodus** führt die Steuerung die Erfassung der mechanischen Anschläge aus und kalkuliert die besten Versetzungen der Flügel (SA und SC, Abb. C).

Im **manuellen Modus** werden die acht Positionen der mechanischen Stopps (Abb. C) jeweils programmiert, indem die Flügel auf die gewünschten Stellen versetzt werden. Die zu programmierende Position kann durch das Blinken einer der 8 Leds herausgestellt werden (L1...L8), siehe **Tabelle 2**.

Im **gemischten Modus** ist es möglich, das automatische Verfahren auszuführen und dann mit dem manuellen Verfahren eine oder mehrere Positionen zu ändern, außer der Positionen "0" und "1" (Abb. C) die mit den Positionen der mechanischen Stopps übereinstimmen.

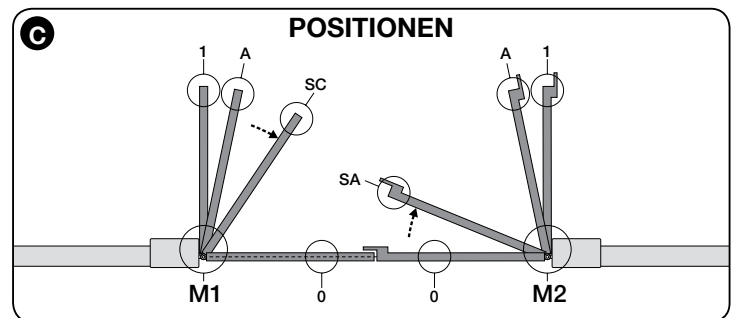


TABELLE 2		
Position	Led	Beschreibung
Position 0 (Motor 1)	L1	Position der maximalen Schließung: Wenn der Flügel 1 auf den mechanischen Schließanschlag stößt
Position 0 (Motor 2)	L2	Position der maximalen Schließung: Wenn der Flügel 2 auf den mechanischen Schließanschlag stößt
Position SA (Motor 2)	L3	Verschiebung bei Öffnung: wenn der Flügel 2 diese Position überschreitet, beginnt die Öffnung des Flügels 1
Position A (Motor 1)	L4	Gewünschte Öffnungsposition Position, in der der mit dem Motor 1 verbundene Flügel am Ende einer Öffnungsbewegung anhalten muss. Es ist nicht notwendig, dass diese Position mit der mechanischen Öffnungsbefestigung übereinstimmt, sie kann nach Wahl zwischen "0" und "1" gewählt werden.
Position A (Motor 2)	L5	Gewünschte Öffnungsposition Position, in der der mit dem Motor 2 verbundene Flügel am Ende einer Öffnungsbewegung anhalten muss. Es ist nicht notwendig, dass diese Position mit der mechanischen Öffnungsbefestigung übereinstimmt, sie kann nach Wahl zwischen "0" und "1" gewählt werden.
Position SC (Motor 1) Position 1 (Motor 1)	L6	Verschiebung bei Schließung: Wenn der Flügel 1 unter dieser Position ist, beginnt das Schließen des Flügels 2
Position 1 (Motor 2)	L7	Position der maximalen Schließung: Wenn der Flügel 1 auf den mechanischen Öffnungsanschlag stößt
Position 1 (motor 2)	L8	Position der maximalen Schließung: Wenn der Flügel 2 auf den mechanischen Öffnungsanschlag stößt

4.7.1 - Automatisches Einlernen der Steuerung HKA2: Mod. HK7024 und HK7024HS

01. Die Tasten "▶" und "Set" drücken und gleichzeitig gedrückt halten;
02. **Mod. HK7024**

Lassen Sie die Tasten „Set“ und „▶“ los, sobald die LED „L3“ und „L4“ schnell blinken (nach ca. 4 s).
03. Prüfen, ob die Automatisierung die folgenden Bewegungsfolgen ausführt:

<p>a - Langsames Schließen des Torantriebs M1 bis zum mechanischen Endanschlag</p>	<p>Mod. HK7024HS</p> <p>Lassen Sie die Tasten „Set“ und „▶“ los, sobald die LED „L5“ und „L6“ schnell blinken (nach ca. 7 s).</p>
---	--

- b** - Langsames Schließen des Torantriebs M2 bis zum mechanischen Endanschlag
- c** - Langsames Öffnen des Torantriebs M2 und des Torantriebs M1 bis zum mechanischen Endanschlag
- d** - Schnelles vollständiges Schließen des Torantriebs M1 und M2

HINWEISE:

- Wenn die erste Bewegung (a) den durch Motor M1 gesteuerten Flügel nicht schließt, sondern den durch M2 gesteuert, muss die Taste "◀" oder "▶" gedrückt werden, um die Erlernungsphase zu stoppen. Nun werden die Anschlüsse der Motoren M1 und M2 an den Klemmen der Steuerung umgekehrt und dann die der jeweiligen Encoder; schließlich das Verfahren ab Punkt 01 beginnen;
- Wenn die ersten 2 Bewegungen (a und b) nicht als "Schließungen", sondern als "Öffnungen" erfolgen, die Taste "◀" oder "▶" drücken, um die Erlernungsphase zu stoppen. Dann am Torantrieb, der die Öffnungsbewegung ausgeführt hat, die Polaritäten der beiden Kabel des Torantriebs M1 umkehren (Klemmen 7 und 9), ebenso bei M2 (Klemmen 10 und 12), dann das Verfahren ab Punkt 01 beginnen.

04. Am Ende der Schließbewegung der 2 Motoren (d), schalten die Leds:

"L3" und "L4" = HK7024

"L5" und "L6" = HK7024HS

ab und zeigen somit an, dass das Verfahren korrekt ausgeführt wurde.

Hinweise:

- Wenn während der automatischen Erlernungsphase der Eingriff der Lichtschranken oder einer am Eingang „Stopp“ angeschlossenen Vorrichtung erfolgt, wird das Verfahren unterbrochen und die Led L1 beginnt zu blinken. Um die Erlernung wieder zu aktivieren, muss das Verfahren ab Punkt 01 wieder aufgenommen werden.
- Das automatische Erlernungsverfahren kann erneut in jedem Moment vorgenommen werden, auch der Ausführung der Installation; zum Beispiel infolge der Änderung der Position der mechanischen Stopps.

4.7.2 - Manuelles Einlernen der Steuerung HKA2: NUR Mod. HK7024

ACHTUNG! - Ab Schritt 03 gilt:

- Um von Led L1 auf L8 zu gehen, muss ein kurzes Drücken der Taste ◀ oder ▶ erfolgen (die Led blinkt und zeigt die aktuelle Position an);
- Um den Motor in eine oder die andere Richtung zu bewegen, muss ein ständiger Druck der Taste ◀ oder ▶ erfolgen.

01. Die Tasten "▶" und "Set" drücken und gleichzeitig gedrückt halten;

02. Die Tasten freigeben, wenn die "L1" zu blinken beginnt (nach zirka 1 Sekunde); **Anmerkung** – Nach 3 Sekunden und wenn die Tasten "Set" und "▶" nicht freigegeben werden, wird das Verfahren der "automatischen Erlernung" und nicht das manuelle aktiviert.

03. • die Led L1 blinkt: **Position 0 des M1**

Um den Motor 1 zu steuern und in die **Position 0 (Abb. C)** zu bringen: Die Taste "◀" oder "▶" drücken und gedrückt halten. Nach Erreichen der Position, die Taste freigeben, um die Bewegung zu stoppen. Um die Position zu speichern, die Taste "Set" mindestens 3 Sek. drücken und gedrückt halten, dann freigeben (nach 2 Sek. bleibt die L1 eingeschaltet und nach Freigabe der Taste "Set" beginnt die Led L2 zu blinken).

• die Led L2 blinkt: **Position 0 des M2**

Um den Motor 2 zu steuern und in die **Position 0 (Abb. C)** zu bringen: Die Taste "◀" oder "▶" drücken und gedrückt halten. Nach Erreichen der Position, die Taste freigeben, um die Bewegung zu stoppen. Um die Position zu speichern, die Taste "Set" mindestens 3 Sek. drücken und gedrückt halten, dann freigeben (nach 2 Sek. bleibt die L2 eingeschaltet und nach Freigabe der Taste "Set" beginnt die Led L3 zu blinken).

• die Led L3 blinkt: **Position SA des M2**

Um den Motor 2 zu steuern und in die **Position SA (Abb. C)** zu bringen: Die Taste "◀" oder "▶" drücken und gedrückt halten. Nach Erreichen der Position, die Taste freigeben, um die Bewegung zu stoppen. Um die Position zu speichern, die Taste "Set" mindestens 3 Sek. drücken und gedrückt halten, dann freigeben (nach 2 Sek. bleibt die L3 eingeschaltet und nach Freigabe der Taste "Set" beginnt die Led L4 zu blinken).

• die Led L4 blinkt: **Position A des M1**

Um den Motor 1 zu steuern und in die **Position A (Abb. C)** zu bringen: Die Taste "◀" oder "▶" drücken und gedrückt halten. Nach Erreichen der Position, die Taste freigeben, um die Bewegung zu stoppen. Um die Position zu speichern, die Taste "Set" mindestens 3 Sek. drücken und gedrückt halten, dann freigeben (nach 2 Sek. bleibt die L4 eingeschaltet und nach Freigabe der Taste "Set" beginnt die Led L5 zu blinken).

• die Led L5 blinkt: **Position A des M2**

Um den Motor 2 zu steuern und in die **Position A (Abb. C)** zu bringen: Die Taste "◀" oder "▶" drücken und gedrückt halten. Nach Erreichen der Position, die Taste freigeben, um die Bewegung zu stoppen. Um die Position zu speichern, die Taste "Set" mindestens 3 Sek. drücken und gedrückt halten, dann freigeben (nach 2 Sek. bleibt die L5 eingeschaltet und nach Freigabe der Taste "Set" beginnt die Led L6 zu blinken).

• die Led L6 blinkt: **Position SC des M1**

Um den Motor 1 zu steuern und in die **Position SC (Abb. C)** zu bringen: Die Taste "◀" oder "▶" drücken und gedrückt halten. Nach Erreichen der Position, die Taste freigeben, um die Bewegung zu stoppen. Um die Position zu speichern, die Taste "Set" mindestens 3 Sek. drücken und gedrückt halten, dann freigeben (nach 2 Sek. bleibt die L6 eingeschaltet und nach Freigabe der Taste "Set" beginnt die Led L7 zu blinken).

• die Led L7 blinkt: **Position 1 des M1**

Um den Motor 1 zu steuern und in die **Position 1 (Abb. C)** zu bringen: Die Taste "◀" oder "▶" drücken und gedrückt halten. Nach Erreichen der Position, die Taste freigeben, um die Bewegung zu stoppen. Um die Position zu speichern, die Taste "Set" mindestens 3 Sek. drücken und gedrückt halten, dann freigeben (nach 2 Sek. bleibt die L7 eingeschaltet und nach Freigabe der Taste "Set" beginnt die Led L8 zu blinken).

• die Led L8 blinkt: **Position 1 des M2**

Um den Motor 2 zu steuern und in die **Position 1 (Abb. C)** zu bringen: Die Taste "◀" oder "▶" drücken und gedrückt halten. Nach Erreichen der

Position, die Taste freigeben, um die Bewegung zu stoppen. Um die Position zu speichern, die Taste "Set" mindestens 3 Sek. drücken und gedrückt halten, dann freigeben, um aus der Programmierung zu gehen (nach 2 Sek. bleibt die Led L8 bis zur Freigabe der Taste "Set" eingeschaltet).

Hinweis - Manuelle Programmierung einer Anlage mit nur einem Toröffner: Wie am Beginn dieses Abschnitts beschrieben, ab Schritt 01, vorgehen.

Im Schritt 03 wie folgt vorgehen:

- **die Positionen der Leds L1 (0 des M1) und L7 (1 des M1) wie folgt programmieren:** Die Taste **Set** mindestens 3 Sek. gedrückt halten, dann freigeben (nach 2 Sek. bleibt die Led eingeschaltet und nach Freigabe der Taste "Set" beginnt die folgende Led zu blinken).
- **die Positionen der Leds L3 (SA des M2) - L4 (A des M1) - L6 (SC des M1) nicht programmieren:** Um sich zwischen den Positionen zu versetzen, kurz die Taste "◀" oder "▶" drücken.

4.7.3 - Gemischtes Einlernen der Steuerung HKA2: Mod. HK7024 und HK7024HS

Dieses Verfahren nach der Ausführung der automatischen Erlernung ausführen:

01. Die Tasten "▶" und "Set" drücken und gleichzeitig gedrückt halten;

02. Die Tasten freigeben, wenn die "L1" zu blinken beginnt (nach zirka 1 Sekunde); **Anmerkung** – Nach 3 Sekunden und wenn die Tasten "Set" und "▶" nicht freigegeben werden, wird das Verfahren der "automatischen Erlernung" und nicht das manuelle aktiviert.

03. Durch ein kurzes Drücken der Taste "◀" oder "▶" die blinkende Led (L1... L8) auf die Position verschieben, die programmiert werden soll und für jede einzelne Position vorgehen, wie im Schritt 03 der manuellen Erlernung beschrieben wird (Abschnitt 4.7.2).

Diesen letzten Vorgang bei allen anderen Positionen wiederholen, die geändert werden sollen.

Um die manuelle Erlernung zu beenden, wiederholt die Taste "▶" drücken, bis die blinkende Led nach L8 gebracht wird.

4.8 - Überprüfung der Bewegung der Torflügel

Am Ende der Erfassungsphase empfehlen wir, die Steuerung einige Öffnungs- und Schließbewegungen ausführen zu lassen, um die korrekte Bewegung des Tors, die eventuellen Montage- und Einstellmängel zu prüfen.

01. Die Taste "Open" drücken. Die korrekte Verschiebung der Flügel während der Öffnung prüfen und kontrollieren, ob während der Öffnungsbewegung die Beschleunigungsphase, die Phase mit konstanter Geschwindigkeit, die Verzögerungsphase vorliegen und der Endschalter der Flügel wenige Zentimeter von den mechanischen Öffnungsendanschlägen eingestellt ist.

02. Die Taste "Close" drücken und prüfen, ob während der Schließbewegung die Beschleunigungsphase, die Phase mit konstanter Geschwindigkeit und die Verlangsamungsphase vorliegen. Die korrekte Verschiebung der Flügel während der Schließung prüfen. Am Ende müssen die Flügel perfekt am mechanischen Schließendanschlag geschlossen sein.

03. Während den Bewegungen prüfen, ob die Blinkleuchte alle 0.5 Sekunden bei eingeschalteter Blinkleuchte blinkt und alle 0.5 Sekunden bei abgeschalteter Blinkleuchte ausführt.

5

ENDABNAHME UND INBETRIEBNAHME

Dies sind die wichtigsten Phasen bei der Ausführung der Automatisierung, sie gewährleisten die maximale Anlagensicherheit. Die Endabnahme kann auch zur regelmäßigen Kontrolle der Vorrichtungen, aus denen sich die Automatisierung zusammensetzt, benutzt werden. Die Endabnahme und die Inbetriebnahme der Automatisierung müssen durch qualifiziertes und erfahrenes Personal erfolgen, das die erforderlichen Tests zur Überprüfung der angewandten Lösungen zum Schutz gegen die vorhandenen Gefahren bestimmt und die Einhaltung der gesetzlichen Bestimmungen, Richtlinien und Regelungen prüft: dies sind im Besonderen alle Anforderungen der Norm EN 12445, die die Testverfahren für die Überprüfung der Automatisierungen für Tore festlegt.

Die zusätzlichen Vorrichtungen müssen sowohl bezüglich der Funktionstüchtigkeit als auch der Ansprechfähigkeit mit HYKE einer eigenen Endabnahme unterzogen werden; zu diesem Zweck in den Gebrauchsanweisungen der einzelnen Vorrichtungen nachlesen.

5.1 - Endabnahme

Die Reihenfolge der Vorgänge für die Endabnahme bezieht sich auf eine Standardanlage (**Abb. 3**):

- 1** Prüfen, ob alles im Kapitel "Hinweise für die Installation" angegebene genauestens eingehalten ist.
- 2** Die Getriebe von Hand entriegeln und an der Stelle am Flügel, die für das manuelle Manöver vorgesehen ist, prüfen, ob sich die Flügel mit einer Kraft unter 390 N öffnen und schließen lassen.
- 3** Die Getriebe blockieren (siehe Kapitel 3.6).
- 4** Mit den Bedieneinrichtungen (Sender, Bedientaste, Schlüsselwählschalter, usw.), die Öffnung, Schließung und das Anhalten des Tors prüfen, sich vergewissern, dass die Flügelbewegung vorschriftsmäßig abläuft. Einige Proben durchführen, im die Flügelbewegung zu beurteilen und eventuelle Montage- oder Einstellfehler oder starke Reibungen herauszufinden.
- 5** Nacheinander alle Sicherheitsvorrichtungen der Anlage auf ihren sachgemäßen Betrieb hin prüfen (Fotozellen, Kontakteleisten, usw.). Beim Eingreifen einer Vorrichtung blinkt die Led "BLUEBUS" auf dem Steuergerät zur Bestätigung der Erkennung zweimal schnell.
- 6** Wenn die Gefahrensituationen, die durch die Flügelbewegung entstanden sind, durch die Herabsetzung der Aufprallkraft beseitigt wurden, muss die Kraft entsprechend der Norm EN 12445 gemessen werden und ggf. wenn

die Kontrolle der "Getriebekraft" als Hilfsmittel zur Herabsetzung der Aufprallkraft benutzt wird, versuchen die Einstellung mit den besten Ergebnissen herauszufinden.

5.2 - Inbetriebnahme

Die Inbetriebnahme kann erst dann erfolgen, wenn alle Phasen der Endabnahme mit einem positiven Ergebnis abgeschlossen wurden.

- 1 Die technischen Unterlagen der Automatisierung ausstellen: eine Gesamtzeichnung der Automatisierung, den Schaltplan der durchgeführten elektrischen Anschlüsse, die Analyse der vorhandenen Gefahren und die hierfür angewandten Lösungen und die Konformitätserklärung des Herstellers, die vom Installateur ausgefüllt wurde.
- 2 Am Tor ein Schild anbringen, auf dem mindestens die folgenden Daten zu finden sind: Art der Automatisierung, Name und Adresse des Herstellers

(für die "Inbetriebnahme" verantwortlich), Seriennummer, Baujahr und "CE"-Kennzeichen.

- 3 Die Konformitätserklärung der Automatisierung ausfüllen und sie dem Besitzer des Tors aushändigen.
- 4 Das "**Gebrauchshandbuch**" der Automatisierung ausfüllen und es dem Besitzer des Tors aushändigen.
- 5 Den "**Wartungsplan**", der die Vorschriften zur Wartung aller Vorrichtungen der Automatisierung zusammenfasst, ausfüllen und dem Besitzer des Tors aushändigen.
- 6 Vor der Inbetriebnahme der Automatisierung muss der Besitzer über die noch vorhandenen Restgefahren informiert werden.

Für alle genannten Unterlagen stellt Nice über den eigenen technischen Kundendienst folgendes zur Verfügung: Gebrauchsanweisungen, Leitfäden und vorgedruckte Formulare. Siehe auch unter: www.nice-service.com

6 PROGRAMMIERUNG DES STEUERGERÄTES

In der Steuerung befinden sich 3 Tasten **OPEN** (◀), **STOP (SET)**, **CLOSE** (▶), die verwendet werden können, um die Steuerung während den Prüfungen zu steuern und um die Programmierung der verfügbaren Funktionen auszuführen. Die verfügbaren programmierbaren Funktionen befinden sich auf 2 Niveaus und ihr Betriebszustand wird durch 8 Leds (**L1 ... L8**) in der Steuerung angezeigt (eingeschaltete Led = aktive Funktion; abgeschaltete Led = Funktion nicht aktiv).

Die Programmierungstasten verwenden:

OPEN (◀): – Taste zur Steuerung der Toröffnung; – Taste zur Auswahl in der Programmierungsphase.

STOP/SET: Taste, um eine Bewegung anzuhalten; falls länger als 5 Sekunden gedrückt, ermöglicht sie den Zugriff auf die Programmierung.

CLOSE (▶): – Taste zur Steuerung der Torschließung; – Taste zur Auswahl in der Programmierungsphase.

6.1 - Programmierung erstes Niveau (ON-OFF)

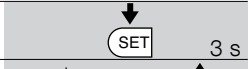
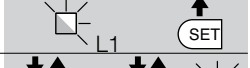



Alle Funktionen des ersten Niveaus sind werkseitig auf "**OFF**" programmiert und können in jedem Moment geändert werden. Um die verschiedenen Funktionen zu prüfen, siehe **Tabelle 3**. Programmierverfahren: siehe **Tabelle 4**.

WICHTIG – Das Programmierverfahren weist eine Höchstzeit von 10 Sekunden zwischen dem Druck einer Taste und dem nächsten auf. Nach dieser Zeitspanne endet das Verfahren automatisch und speichert die bisher ausgeführten Änderungen.

TABELLE 3 - Funktionen erstes Niveau

LED	Funktion	Beschreibung
L1	Automatische Schließung	AKTIVE Funktion: Nach einer Öffnungsbewegung erfolgt eine Pause (gleich der programmierten Pausenzeit), danach startet die Steuerung automatisch eine Schließbewegung. Der werkseitig eingestellte Pausenwert beträgt 30 Sek. NICHT AKTIVE Funktion: Die Funktion ist "halbautomatisch".
L2	Schließen nach Durchfahrt der Lichtschranke	AKTIVE Funktion: Wenn die Lichtschranken während der Öffnungs- oder Schließbewegung eingreifen, wird die Pausenzeit auf 5 Sek. reduziert, unabhängig von der programmierten "Pausenzeit". Bei deaktivierter "automatischer Schließung" und wenn während der Schließung die Lichtschranken eingreifen, wird die "automatische Schließung" bei programmierter "Pausenzeit" aktiviert.
	Always close	AKTIVE Funktion: Im Falle eines auch kurzen Stromausfalls erfasst die Steuerung nach der erneuten Einschaltung des Stroms das geöffnete Tor und startet automatisch eine Schließbewegung, die einer 5 Sek. andauernden Vorwarnung folgt. NICHT AKTIVE Funktion: Nach Rückkehr des Stroms bleibt das Tor, wo es ist.
L3	Schließt immer	AKTIVE Funktion: 1 Minute nach Beendigung der Bewegung schaltet die Steuerung den Ausgang BlueBUS (angeschlossene Vorrichtungen), den Bus T4 (angeschlossene Vorrichtungen), die Ausgänge flash, ELS und sca, einige interne Kreise sowie alle LEDs mit Ausnahme der BlueBUS-LED aus, die langsamer blinken wird. Wenn die Steuerung einen Befehl erhält, geht sie wieder auf den Normalbetrieb über (mit einer kurzen Verzögerung). Diese Funktion hat das Ziel, den Verbrauch zu reduzieren; ein wichtiger Aspekt mit Batterie- oder Kollektorspeisung.
L4	Stand by alles	AKTIVE Funktion: Der Ausgang "Elektroschloss" schaltet seine Funktion auf "zusätzliche Beleuchtung" um. NICHT AKTIVE Funktion: Der Ausgang funktioniert als Elektroschloss.
L5	Elektroschloss / zusätzliches Licht	AKTIVE Funktion: Es kann eine 3 Sekunden lange Pause zwischen dem Einschalten der Blinkleuchte und dem Bewegungsbeginn erfolgen, um die Gefahr vorab bekannt zu geben. NICHT AKTIVE Funktion: Die Anzeige der Blinkleuchte stimmt mit dem Beginn der Bewegung überein.
L6	Vorwarnen	AKTIVE Funktion: Der Eingang "Close" der Steuerung schaltet seine Funktion unter "Teilöffnung 1" um.
L7	"Schließt" wird "teilweise öffnen 1"	Function ACTIVE: the "gate open light" output on the control unit switches to the "maintenance light" function. Function NOAKTIVE Funktion: Der Ausgang "Meldeleuchte Tor geöffnet" der Steuerung schaltet seine Funktion auf "Meldeleuchte Wartung" um.
L8	"Meldeleuchte Tor geöffnet" oder "Meldeleuchte Wartung"	NICHT AKTIVE Funktion: Der Ausgang funktioniert als "Meldeleuchte Tor geöffnet". .I ACTIVE: the output operates as "gate open light".

TABELLE 4 - Programmierung erstes Niveau

01. Mindestens 3 Sekunden lang auf die Taste "Set" drücken und gedrückt halten;	
02. Die Taste freigeben, wenn die Led "L1" zu blinken beginnt;	
03. Auf Taste "◀" oder "▶" drücken, um das Blinken auf die LED zu verschieben, welche die zu ändernde Funktion darstellt;	
04. Auf Taste "Set" drücken, um den Zustand der Funktion zu ändern: (kurzes Blinken = OFF - langes Blinken = ON);	
05. 10 Sekunden warten (Höchstzeit), um aus der Programmierung zu treten.	

Anmerkung – Zur Programmierung anderer Funktionen auf "ON" oder "OFF" müssen während der Ausführung des Verfahrens Punkt 03 und 04 während dieses Vorgangs wiederholt werden.

6.2 - Zweites Niveau: Programmierung (einstellbare Parameter)

Alle Parameter des zweiten Niveaus sind werkseitig programmiert, wie **grau** in der **Tabelle 5** angegeben ist, und können jederzeit geändert werden, indem wie in **Tabelle 6** beschrieben vorgegangen wird.

Die Parameter sind auf einer Wertskala von 1 bis 8 einstellbar, zur Prüfung des jeder Led entsprechenden Werts siehe **Tabelle 8. WICHTIG** – Das Programmierverfahren weist eine Höchstzeit von 10 Sekunden zwischen dem Druck einer Taste und dem Druck der nächsten auf. Nach dieser Zeitspanne endet das Verfahren automatisch und speichert die bisher ausgeführten Änderungen.


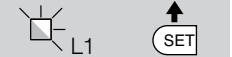





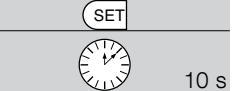
TABELLE 5 - Funktionen zweites Niveau

Eingangsled	Parameter	Led (Niveau)	Wert	Beschreibung
L1	Pausezeit	L1	5 Sekunden	Stellt die Pausezeit ein bzw. die Zeit vor dem automatischen Schließen. Wirkt nur, falls die Schließung aktiviert ist.
		L2	15 Sekunden	
		L3	30 Sekunden	
		L4	45 Sekunden	
		L5	60 Sekunden	
		L6	80 Sekunden	
		L7	120 Sekunden	
		L8	180 Sekunden	
L2	Schrittbetrieb	L1	Öffnet - Stopp - Schließt - Stopp	Stellt die Sequenz der Steuerbefehle ein, die dem Eingang "Schrittbetrieb", "Öffnen", "Schließen" oder dem Funkbefehl zugeteilt sind. Anmerkung – Bei der Einstellung der L4, L5, L7 und L8 , wird auch das Verhalten der Steuerungen "Öffnen" und "Schließen" geändert.
		L2	Öffnet - Stopp - Schließt - Öffnet	
		L3	Öffnet - Schließt - Öffnet - Schließt	
		L4	Wohnblockbetrieb: • Bei der Öffnungsbewegung haben der Schrittbetrieb und "Öffnen" keine Auswirkungen; die Steuerung "Schließen" ruft dagegen die Umkehrung der Bewegung hervor, d.h. das Schließen der Flügel. • Bei der Schließbewegung rufen der Schrittbetrieb und "Öffnen" keine Bewegungsumkehrung hervor; die Steuerung "Schließen" hat dagegen keine Auswirkung.	
		L5	Wohnblockbetrieb 2: • Bei der Öffnungsbewegung rufen der Schrittbetrieb und "Öffnen" keine Auswirkungen hervor; die Steuerung "Schließen" ruft dagegen die Umkehrung der Bewegung hervor, d.h. das Schließen der Flügel. Wenn die übersendete Steuerung länger als 2 Sekunden anhält, wird ein "Stopp" ausgeführt. • Bei der Schließbewegung rufen der Schrittbetrieb und "Öffnen" keine Bewegungsumkehrung hervor; die Steuerung "Schließen" hat dagegen keine Auswirkung. Wenn die übersendete Steuerung länger als 2 Sekunden anhält, wird ein "Stopp" ausgeführt.	
		L6	Schrittbetrieb 2 (weniger als 2 bewirkt eine teilweise Öffnung).	
		L7	Todmannfunktion: Die Bewegung wird nur ausgeführt, wenn die übersendete Steuerung verbleibt; wenn die Steuerung unterbrochen wird, stoppt die Bewegung.	
		L8	Öffnung "halbautomatisch", Schließung mit "Todmannfunktion".	
L3	Motorengeschwindigkeit	L1	Sehr langsam	Stellt die Motorengeschwindigkeit während des normalen Laufs ein.
		L2	Langsam	
		L3	durchschnittlich	
		L4	Schnell	
		L5	Sehr schnell	
		L6	Äußerst schnell	
		L7	Öffnet schnell, schließt langsam	
		L8	Öffnet äußerst schnell, schließt durchschnittlich	
L4	Entladung der Motoren nach dem Schließen	L1	Keine Entladung	Regelt die Dauer der "kurzen Umkehrung" beider Motoren nach der Ausführung der Schließung, mit dem Ziel, den Restschub am Ende zu reduzieren, eine korrekte Schließung zu gewährleisten und die manuelle Entriegelung des Antriebs zu erleichtern.
		L2	Stufe 1 - Minimale Entladung (zirka 100 ms)	
		L3	Stufe 2 - ...	
		L4	Stufe 3 - ...	
		L5	Stufe 4 - ...	
		L6	Stufe 5 - ...	
		L7	Stufe 6 - ...	
		L8	Stufe 7 - Maximale Entladung (zirka 800 ms)	
L5	Motorkraft	L1	Stufe 1 - Mindestkraft	Regelt die Kraft beider Motoren.
		L2	Stufe 2 - ...	
		L3	Stufe 3 - ...	
		L4	Stufe 4 - ...	
		L5	Stufe 5 - ...	
		L6	Stufe 6 - ...	
		L7	Stufe 7 - ...	
		L8	Stufe 8 - Höchstkraft	
L6	Fußgängeröffnung oder Teilöffnung	L1	Fußgänger 1 (Öffnung des Flügels M2 zu 1/4 der Gesamtöffnung)	Regelt die Öffnungsweise, die der Steuerung "Teilöffnung 1" zugewiesen ist. In den Stufen L5, L6, L7, L8; unter Mindestöffnung versteht man die geringere Öffnung zwischen M1 und M2; wenn M1 zum Beispiel zu 90° und M2 zu 110° öffnet, beträgt die Mindestöffnung 90°
		L2	Fußgänger 2 (Öffnung des Flügels M2 zu 1/2 der Gesamtöffnung)	
		L3	Fußgänger 3 (Öffnung des Flügels M2 zu 3/4 der Gesamtöffnung)	
		L4	Fußgänger 4 (Gesamtöffnung des Flügels 2)	
		L5	Teilöffnung 1 (Öffnung der beiden Flügel zu 1/4 der Mindestöffnung)	
		L6	Teilöffnung 2 (Öffnung der beiden Flügel zu 1/2 der Mindestöffnung)	
		L7	Teilöffnung 3 (Öffnung der beiden Flügel zu 3/4 der Mindestöffnung)	
		L8	Teilöffnung 4 (Öffnung der beiden Flügel gleich der Mindestöffnung)	

L7	Wartungsanzeige	L1	500	Regelt die Bewegungsanzahl. Wenn diese Nummer überschritten wird, zeigt die Steuerung die Anforderung zur Wartung der Automatisierung an, siehe Abschnitt 6.3.2. - Wartungsanzeige.
		L2	1000	
		L3	1500	
		L4	2500	
		L5	5000	
		L6	10000	
		L7	15000	
		L8	20000	
L8	Liste der Störungen	L1	Ergebnis 1. Bewegung (die letzte)	Ermöglicht die Prüfung der erfolgten Störungsart während der Ausführung der letzten 8 Bewegungen. Siehe TABELLE 10 - Archiv der aufgetretenen Störungen.
		L2	Ergebnis 2. Bewegung	
		L3	Ergebnis 3. Bewegung	
		L4	Ergebnis 4. Bewegung	
		L5	Ergebnis 5. Bewegung	
		L6	Ergebnis 6. Bewegung	
		L7	Ergebnis 7. Bewegung	
		L8	Ergebnis 8. Bewegung	

Anmerkung – Die werkseitig eingestellten Werte sind in grau angegeben.

TABELLE 6 - Programmierverfahren zweites Niveau

01. Mindestens 3 Sekunden lang auf die Taste "Set" drücken und gedrückt halten;	
02. Die Taste freigeben, wenn die Led "L1" zu blinken beginnt;	
03. Auf Taste "◀" oder "▶" drücken, um das Blinken auf die "Eingangs-LED" zu verschieben, die den zu ändernden Parameter darstellt;	
04. Die Taste "Set" drücken und gedrückt halten, bis Punkt 06 abgeschlossen ist;	
05. Ca. 3 Sekunden warten, danach wird die LED aufleuchten, die das aktuelle Niveau des zu ändernden Parameters darstellt;	
06. Auf Taste "◀" oder "▶" drücken, um die LED zu verschieben, die den Wert des Parameters darstellt;	
07. Die Taste "Set" loslassen;	
08. 10 Sekunden warten (Höchstzeit), um aus der Programmierung zu treten.	

Anmerkung – Zur Programmierung mehrerer Parameter müssen während der Ausführung des Verfahrens Punkt 03 und 07 während dieses Vorgangs wiederholt werden.

6.3 - Spezielle Funktionen

6.3.1 - Funktion: "Bewegt sich auf jeden Fall"

Diese Funktion ermöglicht die Inbetriebsetzung der Automatisierung, auch wenn eine Sicherheitsvorrichtung nicht korrekt funktioniert oder außer Betrieb ist.

Es ist möglich, die Automatisierung im Modus "Todmannfunktion", zu steuern, indem wie folgt vorgegangen wird:

01. Mit einem Sender oder einem Schlüsseltaster eine Steuerung übersenden, um das Tor zu betätigen. Wenn alles korrekt funktioniert, bewegt sich das Tor regulär, ansonsten wie folgt vorgehen;
02. die Schaltung innerhalb von 3 Sekunden erneut betätigen und weiter betätigen;
03. Nach zirka 2 Sekunden führt das Tor die gewünschte Bewegung im Modus "Todmannfunktion" aus; d.h. das Tor bewegt sich so lange, wie die Schaltung betätigt wird.

Wenn die Sicherheitsvorrichtungen nicht funktionieren, gibt die Anzeige einige Blinksignale ab, um das erfasste Problem anzuzeigen (siehe Kapitel 6 - Tabelle 8).

6.3.2 - Funktion: "Wartungsanzeige"

Diese Funktion zeigt an, dass die Wartung der Automatisierung auszuführen ist. Die Wartungsmeldung erfolgt über eine mit dem Ausgang S.C.A. verbundene Lampe, wenn dieser Ausgang als "Wartungsmeldeleuchte" programmiert ist. Die verschiedenen Anzeigen der Meldeleuchte sind in **Tabelle 7** aufgeführt.

Tabelle 7 - Meldung der "Wartungsmeldeleuchte"

Bewegungsanzahl	Meldung
Unter 80% des Grenzwertes	2 Sekunden lang eingeschaltete Meldeleuchte, zu Beginn der Öffnungsbewegung
Zwischen 81% und 100% des Grenzwertes	Meldeleuchte, die über die ganze Dauer der Bewegung blinkt
Über 100% des Grenzwertes	Meldeleuchte, die ständig blinkt.

Um den Grenzwert der Wartungsbewegungen zu programmieren, siehe **Tabelle 5**.

6.4 - Löschen des Speichers

Um das Archiv der Steuerung zu löschen und alle Werkseinstellungen erneut zu erhalten, wie folgt vorgehen:

Die Tasten "◀" und "▶" drücken und gedrückt halten, bis die Leds L1 und L2 zu blinken beginnen.

7 WAS TUN, WENN ... (Leitfaden zum Lösen von Problemen)

Einige Vorrichtungen sind vorgerüstet, um Meldungen abzugeben, mit denen die Erkennung des Betriebszustands oder eventueller Störungen möglich ist. Wenn am Ausgang FLASH in der Steuerung eine Blinkleuchte angeschlossen wird, blinkt diese während einer Bewegung mit Abständen von 1 Sekunde. Wenn Störungen auftreten, blinkt die Blinkleuchte mit kürzeren Abständen, diese werden zweimal wiederholt und sind von einer 1 Sekunden langen Pause getrennt. In der **Tabelle 8** sind die Ursache und die Lösung für jede Anzeigart beschrieben.

Auch die Leds in der Steuerung geben Meldungen ab; in der **Tabelle 9** sind die Ursache und die Lösung für jede Anzeigart beschrieben.

Es ist möglich, die eventuell aufgetretenen Störungen während der Ausführung der letzten 8 Bewegungen zu kontrollieren, Bezugnahme: **Tabelle 10**.


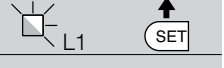


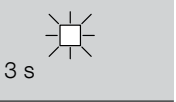


TABELLE 8 - Meldungen der Blinkleuchte (FLASH)

Blinken	Problem	Lösung
1-Mal kurzes Blinken 1 Sekunde Pause 1-Mal kurzes Blinken	Fehler im System Bluebus	Die Überprüfung der an BlueBUS angeschlossenen Vorrichtungen, die zu Beginn der Bewegung ausgeführt wird, entspricht nicht den während der Erlernung gespeicherten Vorrichtungen. Es ist möglich, dass getrennte oder gestörte Vorrichtungen vorliegen, somit prüfen und ersetzen. Wenn Änderungen vorgenommen wurden, muss die Erlernung der Vorrichtungen erneut ausgeführt werden (siehe Abschnitt 4.6).
2-Mal kurzes Blinken 1 Sekunde Pause 2-Mal Schnellblinken	Auslösung einer Lichtschranke	Eine oder mehrere Lichtschranken geben keine Zustimmung zur Bewegung oder haben während des Laufs eine Bewegungsumkehrung hervorgerufen; prüfen, ob Hindernisse vorliegen.
3-Mal kurzes Blinken 1 Sekunde Pause 3-Mal kurzes Blinken	Eingriff der Funktion	“Hinderniserfassung” durch Kraftbegrenzer Während der Bewegung haben die Motoren eine höhere Kraft angetroffen; die Ursache prüfen und eventuell das Kraftniveau der Motoren erhöhen
4-Mal kurzes Blinken 1 Sekunde Pause 4-Mal kurzes Blinken	Auslösung des Eingangs STOPP	Am Anfang oder während der Bewegung erfolgte eine Auslösung der mit dem Eingang STOP verbundenen Vorrichtungen; Ursache überprüfen.
5-Mal kurzes Blinken 1 Sekunde Pause 5-Mal kurzes Blinken	Fehler in den internen Parametern der Steuerung	Mindestens 30 Sekunden warten und den Befehl erneut erteilen und eventuell die Speisung ausschalten; sollte dieser Status bleiben, könnte ein schwerer Defekt vorhanden sein, und die elektronische Steuerkarte muss ausgewechselt werden.
6-Mal kurzes Blinken 1 Sekunde Pause 6-Mal kurzes Blinken	Die Höchstgrenze an aufeinander folgenden Bewegungen pro Stunde wurde überschritten.	Ein paar Minuten warten, bis der Bewegungsbegrenzer wieder unter die Höchstgrenze zurückkehrt.
7-Mal kurzes Blinken 1 Sekunde Pause 7-Mal kurzes Blinken	Störung in den Stromkreisen	Mindestens 30 Sekunden warten und den Befehl erneut erteilen und eventuell die Speisung ausschalten; sollte dieser Status bleiben, könnte ein schwerer Defekt vorhanden sein, und die elektronische Steuerkarte muss ausgewechselt werden.
8-Mal kurzes Blinken 1 Sekunde Pause 8-Mal kurzes Blinken	Es wurde bereits ein Befehl erteilt, so dass andere Befehle nicht ausgeführt werden können.	Die Art des vorhandenen Befehls überprüfen. Es könnte sich zum Beispiel um einen Befehl durch eine Uhr am Eingang “Öffnet” handeln.
9-Mal kurzes Blinken 1 Sekunde Pause 9-Mal kurzes Blinken	Die Automatisierung wurde durch eine Steuerung “Sperrung Automatisierung” blockiert.	Die Automatisierung lösen, indem eine Steuerung “Lösen Automatisierung” übersendet wird.
10-Mal kurzes Blinken 1 Sekunde Pause 10-Mal kurzes Blinken	Eingriff der Funktion “Hinderniserfassung” durch Encoder	Während der Bewegung wurde die Motoren durch eine höhere Reibung blockiert, die Ursache prüfen.

TABELLE 9 - Meldungen der Leds in der Steuerung (Abb. 16)

Led	Problem	Lösung
BLUEBUS		
Immer aus	Störung	Prüfen, ob die Steuerung gespeist ist; prüfen, ob die Sicherungen eingegriffen haben. In diesem Fall die Ursache des Defekts überprüfen, dann die Sicherungen mit anderen mit demselben Stromwert austauschen
Immer ein	Schwere Störung	Es liegt ein schwerwiegendes Problem vor: Versuchen, die Steuerung von der Stromspeisung zu trennen und wenn der Zustand verbleibt, muss die elektronische Karte ersetzt werden
1 Mal Blinken pro Sekunde	Alle regulär	Regulärer Funktion der Steuerung
2 Mal kurzes Blinken	Statusvariation der Eingänge Verschiedenes	Regulär, wenn eine Änderung in einem der Eingänge erfolgt (PP, STOPP, OPEN, CLOSE): Eingriff der Lichtschranken oder Übertragung einer Steuerung mit einem Sender
Mehrmaliges Blinken mit Pause von 1 Sekunde	Various	Bezugnahme: Tabelle 8
STOPP		
Immer aus	Die am Eingang STOPP angeschlossenen Vorrichtungen greifen ein	Die Vorrichtungen des Eingangs STOPP prüfen
Immer ein	Alle regulär	Eingang STOPP aktiv
P.P.		
Immer aus	Alle regulär	Eingang P.P. nicht aktiv
Immer ein	Eingriff des Eingangs PP	Regulär, wenn die am Eingang PP angeschlossene Vorrichtung aktiv ist
OPEN		
Immer aus	Alle regulär	Eingang OPEN nicht aktiv
Immer ein	Eingriff des Eingangs OPEN	Regulär, wenn die am Eingang OPEN angeschlossene Vorrichtung aktiv ist
CLOSE		
Immer aus	Alle regulär	Eingang CLOSE nicht aktiv
Immer ein	Eingriff des Eingangs CLOSE	Regulär, wenn die am Eingang CLOSE angeschlossene Vorrichtung aktiv ist
L1 - L2 blinkt langsam	Änderung der Anzahl der mit Bluebus verbundenen Vorrichtungen oder Erlernung Vorrichtung nicht ausgeführt	Es ist notwendig, die Erlernung der Vorrichtungen auszuführen (siehe Abschn. 4.6)
L3 - L4 blinkt langsam	Änderung der Erlernung der Motorenarten oder der Positionen der mechanischen Anschläge	Die Erlernung der Positionen der mechanischen Anschläge wurde nie ausgeführt (siehe Abschn. 4.7)

TABELLE 10 - Archiv der aufgetretenen Störungen

01. Mindestens 3 Sekunden lang auf die Taste "Set" drücken und gedrückt halten	
02. Die Taste loslassen, wenn die LED "L1" zu blinken beginnt;	
03. Die Taste "◀" oder "▶" drücken, um das Blinken auf die LED L8, die "Eingangs-LED" des Parameters "Alarmhistorik" zu verschieben;	
04. Die Taste "Set" drücken und gedrückt halten, bis Punkt 06 abgeschlossen ist;	
05. Circa 3 Sekunden abwarten, bis die Leds aufleuchten, die die Niveaus der Bewegungen darstellen, die Störungen aufgewiesen haben. Die Led L1 zeigt das Ergebnis der letzten Bewegung auf, während die Led L8 die achte Bewegung angibt. Wenn die Led eingeschaltet ist, bedeutet das, dass Störungen aufgetreten sind, wenn die Led dagegen ausgeschaltet ist, ist alles regulär.	
06. Auf die Tasten "◀" und "▶" drücken, um die gewünschte Bewegung auszuwählen: die entsprechende LED wird so oft blinken, wie die Blinkleuchte gewöhnlich nach einer Störung blinkt;	
07. Die Taste "Set" loslassen.	

8 WEITERE AUSKÜNFTE

Für HYKE ist folgendes Sonderzubehör vorgesehen: Empfänger der Gruppe SMXI, OXI, Oview-Programmierer, Solarenergie-Kollektor Solemyo und Pufferbatterie Mod. PS124.

8.1 - Anschluss eines Funkempfängers

Die Steuerung weist einen Stecker zum Anschluss der Funkempfänger auf (Sonderzubehör), die zur Gruppe SMXI, OXI gehören. Zum Anschluss eines Empfängers muss die Steuerung von der Stromspeisung getrennt werden und wie in **Abb. 17** gezeigt vorgegangen werden. In **Tabelle 11** und **12** sind die Befehle aufgeführt, die den Ausgängen in der Steuerung entsprechen.

Ausgang Nr. 1	Befehl "P.P." (Schrittbetrieb)
Ausgang Nr. 2	Befehl "Teilöffnung 1"
Ausgang Nr. 3	Befehl "Öffnet"
Ausgang Nr. 4	Befehl "Schließt"

NR.	Steuerung	Beschreibung
1	Schrittbetrieb	Befehl "P.P." (Schrittbetrieb)
2	Teilöffnung 1	Steuerung "Teilöffnung 1"
3	Öffnen	Befehl "Öffnet"
4	Schließt	Befehl "Schließt"
5	Stopp	Stoppt die Bewegung
6	Schrittbetrieb Wohnblock	Steuerung im Wohnblockmodus
7	Schrittbetrieb Hohe Priorität	Steuert auch bei blockierter Automatisierung oder aktive Steuerungen
8	Teilöffnung 2	Öffnet teilweise (Öffnung des Flügels M2, gleich 1/2 der Gesamtöffnung)
9	Teilöffnung 3	Öffnet teilweise (Öffnung der beiden Flügel, gleich 1/2 der Gesamtöffnung)
10	Öffnen und sperren Automatisierung	Ruft eine Öffnungsbewegung hervor und am Ende dieser die Blockierung der Automatisierung; die Steuerung akzeptiert keine andere Steuerung, außer "Schrittbetrieb hohe Priorität", "Lösen" Automatisierung oder (nur aus Oview) der Steuerungen: "Löst und schließt" und "Löst und öffnet"
11	Schließt und blockiert die Automatisierung	Ruft eine Schließbewegung hervor und am Ende dieser die Blockierung der Automatisierung; die Steuerung akzeptiert keine andere Steuerung, außer "Schrittbetrieb hohe Priorität", "Lösen" Automatisierung oder (nur aus Oview) der Steuerungen: "Löst und schließt" und "Löst und öffnet"

12	Blockiert die Automatisierung	Ruft einen Bewegungsstopp hervor und am Ende dieser die Blockierung der Automatisierung; die Steuerung akzeptiert keine andere Steuerung, außer "Schrittbetrieb hohe Priorität", "Lösen" Automatisierung oder (nur aus Oview) der Steuerungen: "Löst und schließt" und "Löst und öffnet"
13	Löst die Automatisierung	Ruft die Blockierung der Automatisierung und die Wiederherstellung des normalen Betriebs hervor
14	On Timer zusätzliche Beleuchtung	Der Ausgang zusätzliche Beleuchtung mit zeitgeregelter Abschaltung wird erleuchtet
15	On-Off zusätzliche Beleuchtung	Der Ausgang zusätzliche Beleuchtung im Schrittbetrieb wird erleuchtet und ausgeschaltet

8.2 - Anschluss und Installation der Pufferbatterie Mod. PS124

ACHTUNG! - Der Stromanschluss der Batterie an das Steuergerät darf erst nach Abschluss aller Installations- und Programmierarbeiten erfolgen, da die Batterie eine Notstromversorgung bildet.

Zur Installation und zum Anschluss der Batterie, den in **Abb. 18** gezeigten Montagephasen folgen.

8.3 - Anschluss des Programmierers Oview

Am Steuergerät befindet sich die Steckverbindung BusT4, an der die Programmierungseinheit Oview angeschlossen werden kann. Sie ermöglicht eine vollständige und schnelle Regelung der Installation, Wartung und Diagnose der gesamten Automatisierung. Für den Zugriff auf die Steckverbindung muss wie in **Abb. 19** gezeigt, vorgegangen werden und der Stecker in der entsprechenden Aufnahme angeschlossen werden. Der Oview kann gleichzeitig an mehrere Steuergeräte gleichzeitig angeschlossen werden (bis zu 5 ohne besondere Vorichtsmaßnahmen, bis zu 60 unter Befolgung entsprechenden Sicherheitshinweise). Er kann auch während des normalen Betriebs der Automatisierung am Steuergerät angeschlossen bleiben. In diesem Fall kann er benutzt werden, um die Bedienungen mit dem spezifischen "Benutzer"-Menü direkt an das Steuergerät zu senden. Auch die Firmware kann aktualisiert werden. Wenn im Steuergerät ein Funkempfänger der Gruppe OXI vorhanden ist, kann man mit dem Oview auf die Parameter der im Empfänger gespeicherten Sender zugreifen. Für weitere Erklärungen die entsprechende Gebrauchsanweisung und das Handbuch des "Opera system book" - Systems zu Rate ziehen.

8.4 - Anschluss des Systems an die Solarenergie Solemyo

ACHTUNG! - Wenn die Automatisierung durch das System "Solemyo" gespeist wird, darf diese AUF KEINEN FALL gleichzeitig mit Strom gespeist werden.

Für weitere Auskünfte über das System Solemyo wird auf die entsprechende Gebrauchsanleitung verwiesen.

Den Anschluss des Systems Solemyo wie in **Abb. 20** gezeigt, ausführen.

8.5 - Anschluss des externen Entriegelungssystems Kio

ACHTUNG! - Kio kann an den Motorantrieb mit oder ohne Steuerung angeschlossen werden, wenn aber eine der beiden Flügel den anderen überschreitet (die zuerst startet).

- 01. Den Deckel des Torantriebs öffnen (**Abb. 21-1**);
- 02. Das Kunststoffgehäuse des Torantriebs wie in **Abb. 21-2** gezeigt, entfernen;
- 03. In die hierfür vorgesehene Bohrung die Schraube mit der Mutter einfügen, wie in **Abb. 21-3** gezeigt wird;
- 04. Die beiden Enden der Feder einhaken, wie in **Abb. 22-4** gezeigt wird;

05. Das Stahlkabel zuerst in die Schraube einfügen und dann in die Bohrung des Bolzens, wie in **Abb. 21-5** gezeigt wird ;
06. Das Kabel durch die entsprechende Schraube befestigen (**Abb. 21-5**);
07. Das andere Ende des Kabels durch eine der Bohrungen am unteren Teil des Torantriebs ziehen, siehe **Abb. 21-6**;
08. Das Kunststoffgehäuse wieder platzieren und dann den Deckel des Torantriebs (**Abb. 21-7**);
09. Nun das Kabel mit Kio verbinden, wofür man sich auf die jeweilige Gebrauchsanleitung bezieht.

9 WARTUNG DES PRODUKTS

Um das Sicherheitsniveau immer beizubehalten und die maximale Haltbarkeit zu gewährleisten, ist eine regelmäßige Wartung notwendig.

Bei der Wartung müssen die Sicherheitsvorschriften dieser Gebrauchsanweisung und die diesbezüglich geltenden gesetzlichen Bestimmungen beachtet werden.

Zum Feststellen von Verlagerungen der Flügel, Abnutzung oder Schäden an Kabeln und Federn ist die Automatisierung häufigen Überprüfungen zu unterziehen.

Wichtig – Während der Wartung oder Reinigung der Automatisierung das Steuergerät von der Stromversorgung abtrennen und falls vorhanden, von den Batterien.

Für die anderen Vorrichtungen der Anlage, den Angaben der betreffenden Wartungspläne folgen.

Für die Getriebe HK7024, HK7224, HK7024HS, HK7224HS muss maximal innerhalb 6 Monaten oder nach 20.000 Manövern seit der letzten Instandsetzung eine programmierte Wartung vorgenommen werden.

Für die Wartung wie folgt vorgehen:

01. Jede Versorgungsquelle, auch eventuell vorhandene Pufferbatterien abtrennen;
02. Den Abnutzungszustand der Befestigungsbügel und Dübel besonders gründlich auf Erosion und Oxidation überprüfen; die Teile, die nicht ausrei-

chend sicher sind, austauschen;

03. Zur Überprüfung des ordnungsgemäßen Betriebs, einen Entriegelungstest durchführen, siehe Absatz 3.6;
04. Die elektrischen Versorgungsquellen wieder anschließen und alle im Kapitel 5 - Endabnahme vorgesehenen Tests und Überprüfungen vornehmen.

ENTSORGUNG DES PRODUKTS

Dieses Produkt ist integrierender Teil der Automatisierung und muss mit ihr zusammen entsorgt werden.

Auch die Entsorgung, wenn das Produkt nicht mehr gebrauchsfähig ist, muss genau wie die Installation von qualifiziertem Personal durchgeführt werden.

Dieses Produkt besteht aus unterschiedlichen Materialien: einige sind wiederverwertbar, andere müssen entsorgt werden. Informieren Sie sich über das Recycling- oder Entsorgungssystem, das von den geltenden Vorschriften in Ihrem Land vorgesehen ist.

Achtung! – Einige Teile des Produkts können umweltverschmutzende oder gefährliche Substanzen enthalten, deren Freisetzung eine schädigende Wirkung auf die Umwelt und die Gesundheit des Menschen haben könnten.

Wie das seitliche Symbol anzeigt, darf dieses Produkt nicht mit dem Hausmüll beseitigt werden. Daher müssen zur Entsorgung die Komponenten getrennt werden, wie von den landeseigenen gesetzlichen Regelungen vorgesehen ist oder man übergibt das Produkt beim Neukauf eines gleichwertigen Produkt dem Händler.

Achtung! – die örtlichen gesetzlichen Regelungen können bei einer gesetzeswidrigen Entsorgung diese Produkts schwere Strafen vorsehen.

Entsorgung der Pufferbatterie (falls vorhanden)

Achtung! – Die leere Batterie enthält umweltverschmutzende Substanzen und darf nicht in den Hausmüll geworfen werden.

Sie muss nach der Mülltrennungsmethode entsorgt werden, die von den geltenden Bestimmungen Ihres Landes vorgesehen ist.



Produktlebensdauer

Die Lebensdauer ist die durchschnittliche Betriebsdauer des Produkts. Der Wert der Lebensdauer wird stark durch den Index der durch die Automatisierung ausgeführten Bewegungen beeinflusst: d.h. die Summe aller Faktoren, die zum Verschleiß des Produkts beitragen (siehe Tabelle 13).

Gehen Sie wie folgend vor, um die wahrscheinliche Dauer Ihrer Automatisierung zu bestimmen:

01. Der Verschleißindex wird durch Summierung der Prozentwerte der Punkte der **Tabelle 13** kalkuliert;

02. In der **Graphik 3** wird ab dem soeben gefundenen Wert eine vertikale Linie gezogen, bis die Kurve überkreuzt wird; von diesem Punkt aus wird eine waagrechte Linie gezogen, bis die Linie der "Bewegungszyklen" überkreuzt wird. Der bestimmte Wert ist die geschätzte Lebensdauer Ihres Produkts.

Die Schätzung der Lebensdauer wird aufgrund der Projektkalkulationen und der Ergebnisse der an Prototypen ausgeführten Tests getätigt. Da es sich um eine Schätzung handelt, stellt sie keine Garantie für die effektive Dauer des Produkts dar.

Beispiel einer Lebensdauerkalkulierung eines Torantriebs HYKE mit Arm auf GANZER Länge (Bezugnahme Tabelle 13 und Graphik 3):

- Länge des Flügels = 2,8 m (Verschleißindex: 20%); - Gewicht des Torflügels: 230 kg (Verschleißindex: 20%); - Blinder Flügel (Verschleißindex: 15%); Gesamtverschleißindex = 55%; Geschätzte Lebensdauer = 220.000 Bewegungszyklen.

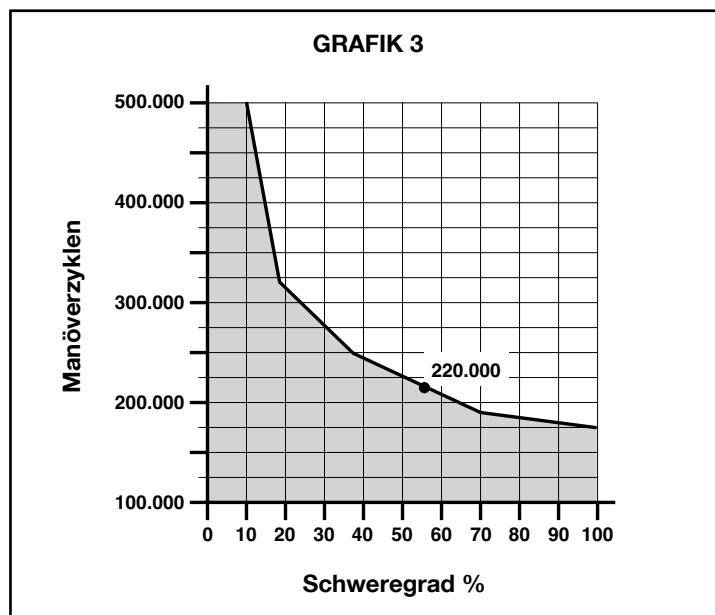


TABELLE 13

	Verschleißindex		
	Arm GANZE Länge	Arm REDUZIERTER Länge	
Länge des Torflügels	< 1,8	0%	15%
	1,8 - 2,5 m	15%	20%
	2,5 - 3 m	20%	30%
	3 - 3,5 m	30%	-
Gewicht des Torflügels	< 200 kg	0%	30%
	200 + 250 kg	20%	40%
	> 250 kg	30%	-
Umgebungstemperatur über 40°C oder unter 0°C oder Feuchtigkeit über 80%	20%	20%	
Blinder Flügel	15%	20%	
Installation in windigen Gegenden	15%	20%	

Anmerkung – Die Daten beziehen sich auf ein nivelliertes Sektionaltor in perfektem Zustand

TECHNISCHE MERKMALE DES PRODUKTS

HINWEISE: • Alle angegebenen technischen Merkmale beziehen sich auf eine Temperatur von 20°C (± 5°C). • Nice S.p.a. behält sich das Recht vor, jederzeit als nötig betrachtete Änderungen am Produkt vorzunehmen, wobei Funktionalitäten und Einsatzzweck beibehalten werden.

	HK7024K	HK7024KHS	HK7224K	HK7224KHS
Typologie	Elektromechanischer Torantrieb für Automatisierungen von Toren und automatischen Türen mit Gleichstrommotor, Planetenuntersetzungsgetriebe, mechanische Entriegelung. mit eingebauter Steuerung und Funkempfänger OXI		Elektromechanischer Torantrieb für Automatisierungen von Toren und automatischen Türen mit Gleichstrommotor, Planetenuntersetzungsgetriebe, mechanische Entriegelung.	
Max. Drehmoment	500 Nm			
 Nenndrehmoment	120 Nm			
Leergeschwindigkeit	1.5 RPM	2 RPM	1.5 RPM	2 RPM
Maximale Zyklenhäufigkeit	40 Zyklen/Stunde			
Max. Dauerbetriebszeit	Ca. 7 Minuten			
Einsatzlimits	Das Produkt kann für Tore mit einem Flügelgewicht bis 330 kg oder für Längen bis 3.5 m verwendet werden	Das Produkt kann für Tore mit einem Flügelgewicht bis 270 kg oder für Längen bis 3 m verwendet werden	Das Produkt kann für Tore mit einem Flügelgewicht bis 330 kg oder für Längen bis 3.5 m verwendet werden	Das Produkt kann für Tore mit einem Flügelgewicht bis 270 kg oder für Längen bis 3 m verwendet werden
Lebensdauer	zwischen ca. 150.000 und 500.000 Zyklen je nach den in Tabelle 13 und Graphik 3 angegebenen Bedingungen			
Stromversorgung	230 Vac ±10%; 50/60 Hz		24 Vdc (±10%)	
Notversorgung	Vorrüstung für Pufferbatterien PS124			
Speisung mit Sonnenkollektoren	für Kit SYKCE vorgerüstet			
Max. Leistungsaufnahme	300 W		140 W	
Aufgenommener Höchststrom	1,5 A (3 A bei Ausführung HK7024K/V1)		6 A bei einer Höchstzeit von 2 Sek	
Aufgenommene Leistung in "Stand-by-Alles" bei Speisung aaus PS124 oder Bausatz SYKCE (einschließlich Empfänger OXI)	unter 100 mW			
Ausgang Blinkleuchte [*]	für Blinkleuchte LUCYB (Glühbirne 12 V, 21 W)			
Ausgang Elektroschloss [*]	Elektroschloss mit 12 Vac Max. 15 VA			
Ausgang Kontrolllampe Tor geöffnet [*]	24 V-Glühbirne max. 4 W (die Ausgangsspannung kann zwischen -30 und 50% variieren, der Ausgang kann auch kleine Relais steuern)			
BlueBUS Ausgang	Ausgang mit einer Höchstbelastung von 15 Bluebus-Einheiten (höchstens 6 Lichtschrankenpaare MOFB oder MOFOB + 2 Lichtschrankenpaare MOFB oder MOFOB, die als Öffnungsvorrichtungen adressiert werden + max. 4 Steuervorrichtungen MOMB oder MOTB)			
Eingang STOPP	Für gewöhnlich geschlossene, gewöhnlich geöffnete Kontakte oder Kontakte mit konstantem 8,2kΩ; die Wahl der Kontaktart wird in Selbsterlernung getroffen und eine Variation im Vergleich zum gespeicherten Status ruft den Steuerbefehl "STOP" hervor			
Eingang PP	Für gewöhnlich geöffnete Kontakte (das Schließen des Kontaktes verursacht den Schritt-Steuerbefehl)			
Steckverbinder für Funkempfänger	SM-Stecker für Empfänger der Gruppe SMXI, OXI und OXIFM			
Eingang Funkantenne	50 ΩO für Kabel Typ RG58 oder ähnliche			
Programmierbare Funktionen	8 ON-OFF-Funktionen (Tabelle 3) und 8 einstellbare Funktionen (Tabelle 5)			
Funktionen in Selbsterlernung	<ul style="list-style-type: none"> • Selbsterlernung der am BlueBUS Ausgang angeschlossenen Vorrichtungen • Selbsterlernung der an der Klemme "STOP" angeschlossenen Vorrichtung (Kontakt NO, NC oder Widerstand 8,2 kΩ) • Selbsterlernung des Laufs der Flügel und automatische Kalkulierung der Verlangsamungspunkte und Teilöffnung • Selbsterlernung des Betriebs mit einem oder zwei Motoren 			
Montage	Vertikal, mit einer diesbezüglichen Befestigungsplatte			
Betriebstemperatur	-20°C bis +50°C (bei niedrigen Temperaturen verringert sich die Effizienz des Torantriebs).			
Benutzung in besonders säure- und salzhaltiger oder explosionsgefährdeter Umgebung	NEIN			
Schutzart	IP 54 (bei unversehrtem Gehäuse)			
Abmessungen (mm)	210 x 290 x 320 h			
Gewicht (kg)	10.5		9.5	
<p>[*] - Die Ausgänge Blinkleuchte, Elektroschloss, Meldeleuchte Tor geöffnet können mit anderen Funktionen programmiert werden (siehe "TABELLE 3 – Funktionen 1. Stufe oder durch den Oview-Programmierer, siehe Kapitel 8.3). Die elektrischen Eigenschaften der Ausgänge passen sich der gewählten Funktion an: • Funktion BLINKLEUCHE: Lampe 12 Vdc, max. 21 W; • Elektroschlossfunktion: 12 Vac max. 15 VA; • Andere Ausgänge (alle Arten): 1 Lampe oder Relais 24 Vdc (-30 und +50%), max. 4 W.</p>				

CE-KONFORMITÄTSERKLÄRUNG und Integrierungserklärung einer "Fastmaschine"

Erklärung in Übereinstimmung mit den folgenden Richtlinien: 2006/95/CE (LVD); 2004/108/CE (EMC); 2006/42/CE (MD) Anlage II, Teil B

Anmerkung - Der Inhalt dieser Erklärung entspricht den Erklärungen der letzten verfügbaren Revision vor dem Druck dieses Handbuchs des offiziellen Dokuments, das im Sitz Nice Spa hinterlegt ist. Dieser Text wurde aus Herausgebergründen angepasst: Eine Kopie der ursprünglichen Erklärung jedes Produkts kann bei Nice S.p.a. angefordert werden. (TV) I.

Erklärungsnummer: 334/HYKE

Revision: 4

Sprache: DE

Herstellername: NICE s.p.a.
Adresse: Via Pezza Alta 13, Z.I. Rustignè, 31046 Oderzo (TV) Italien
Autorisierte Person zur Ausstellung der technischen: NICE s.p.a.
Produkttyp: Elektromechanischer Torantrieb "HYKE" mit eingebauter Steuerung
Modell / Typ: HK7024, HK7224, HK7024HS, HK7224HS
Zubehör: SMXI, OXI, PS124, Oview

Der Unterzeichnende Mauro Sordini, Chief Executive Officer, erklärt unter seiner Verantwortung, dass das oben angegebene Produkt den Anweisungen der folgenden Richtlinien entspricht:

- 2004/108/EWG RICHTLINIE DES EUROPÄISCHEN PARLAMENTS UND RATS vom 15. Dezember 2004 bezüglich der Annäherung der Gesetzgebungen der Mitgliedsstaaten, was die elektromagnetische Verträglichkeit betrifft und die Richtlinie 89/336/CEE aufhebt und zwar gemäß den folgenden übereinstimmenden Normen:
EN 61000-6-2:2005, EN 61000-6-3:2007+A1:2011

Außerdem entspricht das Produkt der folgenden Richtlinie, gemäß den Anforderungen hinsichtlich "Fastmaschinen":

- DireRICHTLINIE 2006/42/CE DES EUROPAPARLAMENTS UND DES RATES vom 17. Mai 2006, was Maschinen betrifft und die Richtlinie 95/16/CE (Neufassung).
 - Wir erklären, dass die zugehörige technische Dokumentation in Übereinstimmung mit Anlage VIII B der Richtlinie 2006/42/CE ausgestellt wurde und die folgenden grundsätzlichen Anforderungen eingehalten wurden:
1.1- 1.1.2- 1.1.3- 1.2.1-1.2.6- 1.5.1-1.5.2- 1.5.5- 1.5.6- 1.5.7- 1.5.8- 1.5.10- 1.5.11
 - Der Hersteller verpflichtet sich, den nationalen Behörden infolge einer begründeten Anforderung die zugehörigen Informationen über die „Fastmaschine“ zukommen zu lassen, wobei unsere intellektuellen Eigentumsrechte unberührt bleiben.
 - Falls die "Fastmaschine" in einem europäischen Land in Betrieb genommen wird, in dem die offizielle Sprache nicht der Sprache dieser Erklärung entspricht, hat der Importeur die Pflicht, dieser Erklärung die zugehörige Übersetzung zuzufügen.
 - Wir weisen darauf hin, dass die "Fastmaschine" nicht in Betrieb genommen werden darf, solange die abschließende Maschine, in die sie integriert wird, nicht ebenso als konform erklärt wurde, ebenso gemäß den Anweisungen der Richtlinie 2006/42/CE.

Das Produkt ist außerdem mit folgenden Normen konform:

EN 60335-1:2002 + A1:2004 + A11:2004 + A12:2006 + A2:2006 + A13:2008 + A14:2010 + A15:2011
EN 60335-2-103:2003+A11:2009

Das Produkt entspricht, auf die anwendbaren Teile begrenzt, folgenden Normen:

EN 13241-1:2003+A1:2011, EN 12445:2002, EN 12453:2002, EN 12978:2003+A1:2009

Oderzo, Mittwoch, den 5. November 2014

Ing. Mauro Sordini (Chief Executive Officer)



Spis treści

Zdjęcia

1 – INSTRUKCJE I OGÓLNE ZALECENIA	1
1.1 - Zalecenia dotyczące bezpieczeństwa.....	1
1.2 - Zalecenia dotyczące montażu.....	1
1.3 - Zalecenia dotyczące obsługi.....	1
2 – OPIS URZĄDZENIA I JEGO PRZEZNACZENIE	1
3 – MONTAŻ	2
3.1 - Weryfikacje wstępne do wykonania przed montażem.....	2
3.2 - Ograniczenia zastosowania.....	2
3.3 - Czynności przygotowujące do montażu.....	2
3.4 - Instalacja motoreduktora mod. HK7024 - HK7224 - HK7024HS - HK7224HS.....	2
3.5 - Regulacja mechanicznych ograniczników położenia.....	4
3.6 - Blokowanie i odblokowywanie motoreduktora w trybie ręcznym.....	4
4 – PODŁĄCZENIA ELEKTRYCZNE	4
4.1 - Podłączenia elektryczne motoreduktora z centralą mod. HK7024 - HK7024HS.....	4
4.2 - Podłączanie motoreduktora bez centrali mod. HK7224 - HK7224HS.....	4
4.3 - Podłączanie innych urządzeń.....	5
4.4 - Adresowanie podłączonych urządzeń.....	5
4.5 - Pierwsze włączenie i weryfikacja połączeń.....	5
4.6 - Programowanie podłączonych urządzeń.....	5
4.7 - Programowanie pozycji mechanicznych ograniczników położenia.....	5
4.8 - Zapamiętanie pozycji mech. ograniczników położenia.....	6
5 – ODBIÓR I WPROWADZENIE DO UŻYTKU	6
5.1 - Odbiór techniczny.....	6
5.2 - Wprowadzenie do użytku.....	7
6 – PROGRAMOWANIE CENTRALI STERUJĄCEJ	7
6.1 - Programowanie na pierwszym poziomie (ON-OFF).....	7
6.2 - Programowanie na drugim poziomie (parametry regulowane).....	8
6.3 - Funkcje szczególne.....	9
6.4 - Kasowanie pamięci.....	9
7 – CO ZROBIĆ JEŚLI... (przewodnik do rozwiązywania problemów)...	9
8 – ROZSZERZENIE WIADOMOŚCI	11
8.1 - Podłączanie odbiornika radiowego.....	11
8.2 - Podłączanie i montaż akumulatora awaryjnego mod. PS124.....	11
8.3 - Podłączanie programatora Oview.....	11
8.4 - Podłączanie systemu zasilania energią słoneczną Solemyo.....	11
8.5 - Podłączanie zewnętrznego systemu odblokowującego Kio.....	11
9 – KONSERWACJA URZĄDZENIA	12
UTYLIZACJA URZĄDZENIA	12
Trwałość urządzenia	12
PARAMETRY TECHNICZNE URZĄDZENIA	13
DEKLARACJA ZGODNOŚCI CE	14
ZAŁĄCZNIK	I
Instrukcje i zalecenia przeznaczone dla użytkownika.....	VII

1 INSTRUKCJE I OGÓLNE ZALECENIA

1.1 - Zalecenia dotyczące bezpieczeństwa

- **UWAGA!** – Niniejsza instrukcja zawiera wskazówki i zalecenia ważne dla bezpieczeństwa. Nieprawidłowa instalacja urządzenia może doprowadzić do poważnych obrażeń. Przed rozpoczęciem pracy należy dokładnie przeczytać całą instrukcję obsługi. W przypadku jakichkolwiek wątpliwości, należy zaprzestać instalacji i zwrócić się o wyjaśnienie do Serwisu Technicznego Nice.
- **UWAGA!** – Ważne instrukcje: starannie przechowywać tę instrukcję, w celu ułatwienia ewentualnych operacji dotyczących konserwacji i utylizacji urządzenia.
- **UWAGA!** – Zgodnie z obowiązującymi przepisami europejskimi, wykonanie automatycznych drzwi garażowych lub bram garażowych musi być zgodne z normami przewidzianymi przez Dyrektywę 2006/42/WE (ex 98/37/WE) (Dyrektywa Maszynowa) i w szczególności, normami EN 12445; EN 12453; EN 12635 i EN 13241-1, które pozwalają na zadeklarowanie zgodności automatu. W związku z tym, wszelkie operacje instalacji, podłączania, odbioru technicznego czy konserwacji urządzenia muszą być wykonane wyłącznie przez wykwalifikowanego i kompetentnego technika!

1.2 - Zalecenia dotyczące montażu

- Przed rozpoczęciem montażu należy sprawdzić, czy niniejsze urządzenie jest odpowiednie do zamierzonego zastosowania (zob. "Zakres zastosowania" paragraf 3.2 oraz "Charakterystyka techniczna produktu"). Jeśli urządzenie nie jest odpowiednie, NIE rozpoczynać montażu.
- Zawartość niniejszej instrukcji obsługi typowej instalacji urządzenia, pokazanej na rys. 3.
- **Wszelkie czynności montażowe i konserwacyjne urządzenia muszą być wykonywane po odłączeniu automatyki od zasilania elektrycznego.** Jeśli urządzenie wyłączające nie jest widoczne z miejsca, w którym umieszczono siłownik, przez rozpoczęciem pracy należy zawiesić na urządzeniu wyłączającym tablicę z napisem "UWAGA! KONSERWACJA W TOKU".
- Centrala musi zostać podłączona do linii zasilania elektrycznego wyposażonej w uzziemienie zabezpieczające.
- Podczas montażu należy delikatnie obchodzić się z urządzeniem, chroniąc je przed zgnieceniem, uderzeniem, upadkiem lub kontaktem z jakiegokolwiek rodzaju płynami. Nie umieszczać urządzenia w pobliżu źródeł ciepła i nie wystawiać go na działanie otwartego ognia. Opisanie powyżej sytuacji mogą doprowadzić do uszkodzenia urządzenia, być przyczyną nieprawidłowego działania lub spowodować zagrożenia. Jeśli doszłoby do którejś z powyżej opisanych sytuacji, należy natychmiast przerwać montaż i zwrócić się o pomoc do Serwisu Technicznego Nice.
- Nie wolno modyfikować żadnej części urządzenia. Operacje tego rodzaju mogą jedynie spowodować niewłaściwe działanie. Producent uchyła się od wszelkiej odpowiedzialności za szkody spowodowane przez zmodyfikowany produkt.
- Jeśli brama lub drzwi garażowe do zautomatyzowania posiadają również drzwi dla pieszych należy przygotować instalację do podłączenia systemu kontrolnego, który uniemożliwi działanie siłownika, gdy drzwi dla pieszych będą otwarte.
- Opakowanie urządzenia musi być zlikwidowane, zgodnie z odpowiednimi przepisami obowiązującymi na danym terytorium.

1.3 - Zalecenia dotyczące obsługi

- Produkt nie może być użytkowany przez osoby (w tym dzieci) o ograniczeniach fizycznych lub umysłowych, a także przez tych, którzy nie posiadają stosownego doświadczenia lub wiedzy, o ile nie mają możliwości skorzystania z nadzoru lub instrukcji dotyczących użytkowania produktu, za pośrednictwem osób odpowiedzialnych za ich bezpieczeństwo.
- Dzieci znajdujące się w pobliżu automatyki powinny znajdować się pod nadzorem, aby mieć pewność, iż nie będą bawić się produktem.
- Nie pozwalaj dzieciom bawić się ze stałymi urządzeniami sterującymi. Urządzenia sterujące przenośne (zdalne) należy przechowywać z dala od dzieci.

2 OPIS URZĄDZENIA I JEGO PRZEZNACZENIE

Urządzenia tworzące niniejszy produkt są przeznaczone do automatyzowania bramy lub drzwi garażowych jedno- lub dwuskrzydłowych. **UWAGA!** – Każde inne użycie niż te opisane oraz warunki otoczeniowe odmienne od tych określonych w niniejszej instrukcji obsługi są uważane za niewłaściwe i zabronione!

Główna część automatyki składa się z jednego lub dwóch siłowników elektro-mechanicznych (ze względu na liczbę skrzydeł do automatyzowania), z których każdy wyposażony jest w silnik zasilany przez prąd stały i reduktor epicykloidalny. Jeden z siłowników (mod. HK7024 - HK7024HS) jest wyposażony w centralę sterowania, która zarządza jej działaniem. Centrala składa się z karty z odbiornikiem radiowym, do odbioru poleceń wysyłanych z nadajnika. Centrala została przygotowana do współpracy z różnymi urządzeniami należącymi do Systemu Opera, do systemu Bluebus oraz do systemu zasilania energią słoneczną Solemyo, przeczytaj rozdział 8 - Rozszerzenie wiadomości. Jeśli zasilana z sieci, może być użyty również akumulator rezerwowo (mod. PS124, urządzenie dodatkowe), który w przypadku braku energii elektrycznej (black-out) gwarantuje wykonanie przez automat, w najbliższych godzinach, niektórych manewrów.

W przypadku braku energii elektrycznej możliwe jest przesuwanie skrzydeł bramy, odblokowując siłownik za pomocą odpowiedniego klucza; w celu wykonania tego manewru ręcznie, zobacz rozdział 3.6.

Inne akcesoria, które można zastosować, to odbiorniki wyposażone w złącze "SM" (SMXI, OXI, itd.), przeczytaj rozdział 8 - Rozszerzenie wiadomości.

3.1 - Weryfikacje wstępne przy montażu

Przed przystąpieniem do montażu urządzenia należy sprawdzić stan jego komponentów, upewnić się, czy wybrany model jest odpowiedni do zastosowania i czy warunki otoczenia, w którym przeprowadzona zostanie instalacja, są sprzyjające:

- Sprawdzić, czy cały materiał do użytkowania jest w idealnym stanie, odpowiedni do użycia.
- Sprawdzić, czy ograniczniki mechaniczne (nie zawarte w zestawie), występują w układzie zarówno przy zamykaniu jak i otwieraniu.
- Sprawdzić, czy struktura mechaniczna bramy jest odpowiednia do zautomatyzowania i czy jest zgodna z normami obowiązującymi na danym terytorium (ewentualnie odwołać się do danych znajdujących się na etykiecie bramy). Niniejsze urządzenie nie może zautomatyzować bramy, która nie jest skuteczna i bezpieczna; ponadto, nie jest w stanie rozwiązać problemów spowodowanych błędną instalacją bramy lub z powodu jej nieprawidłowej konserwacji.
- Sprawdzić, czy warunki robocze urządzeń są kompatybilne z zakresem zastosowania podanym w instrukcji (zob. paragraf 3.2).
- Ręcznie poruszyć skrzydłami bramy w obie strony i upewnić się, czy na każdym etapie ruch przebiega przy jednakowym tarciu (nie powinno być punktów o zwiększonym tarciu, wymagających zwiększonego lub zmniejszonego wysiłku).
- Ręcznie doprowadzić skrzydła bramy do dowolnej pozycji; pozostawić je w wybranym położeniu i sprawdzić, czy pozostaną w bezruchu.
- Sprawdzić, czy strefa zamocowania siłownika jest kompatybilna z wymiarami bramy (rys. 1).
- Należy upewnić się, czy w otoczeniu, w którym ma zostać zainstalowany siłownik jest wystarczająco dużo miejsca, by jego ramię mogło wykonać wymagany obrót.
- Należy upewnić się, czy w pobliżu siłownika jest wystarczająco dużo miejsca do wykonania manewru ręcznego odblokowania siłownika.
- Upewnić się, czy powierzchnie wybrane do zainstalowania poszczególnych urządzeń są solidne i czy mogą zagwarantować stabilne mocowanie.
- Upewnić się, czy każde instalowane urządzenie jest umieszczone w pozycji zabezpieczonej przed przypadkowymi uderzeniami.
- Sprawdzić, czy wszystkie typy kabli elektrycznych przeznaczonych do użycia, są zgodne z rodzajami podanymi w Tabeli 1.

3.2 - Ograniczenia zastosowania

Przed zainstalowaniem motoreduktora sprawdź, czy jego parametry wchodzą w zakres ograniczeń zastosowania, zamieszczonych w dalszej części tej instrukcji obsługi oraz w zakresie wartości podanych w rozdziale "Parametry techniczne urządzenia":

Z ramieniem siłownika o CAŁEJ długości:

- maksymalna szerokość skrzydła: 3,50 m (= maksymalny ciężar skrzydła: 200 kg)

Z ramieniem siłownika o ZREDUKOWANEJ długości:

- maksymalna szerokość skrzydła: 3,00 m (= maksymalny ciężar skrzydła: 180 kg)

WERSJA HS:

Z ramieniem siłownika o CAŁEJ i ZREDUKOWANEJ długości:

- maksymalna szerokość skrzydła: 3,00 m (= maksymalny ciężar skrzydła: 180 kg)

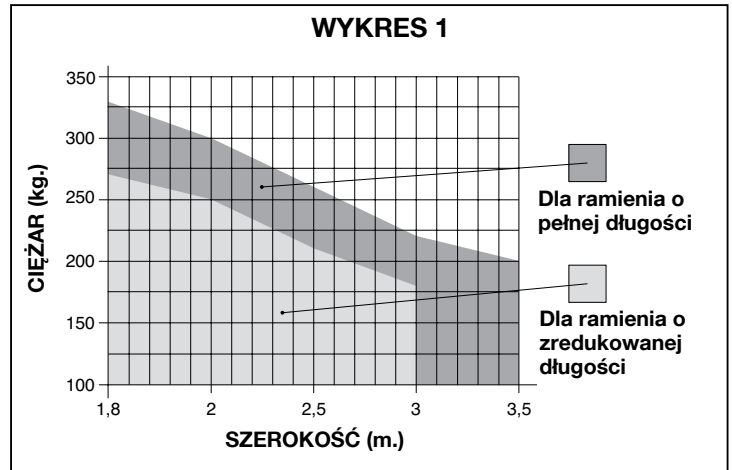
- Sprawdzenie, którego należy dokonać: zaznacz ciężar i szerokość skrzydła na zamieszczonym obok Wykresie 1; wykreśl dwie linie od tych punktów i upewnij się, że punkt przecięcia tych linii znajdzie się w jednej z dwóch szarych stref na wykresie. **Uwaga!** - Jeżeli punkt przecięcia linii znajduje się w białej strefie, nie jest możliwe używanie tego urządzenia do automatyzacji tej bramy.

- Aby umożliwić zainstalowanie siłownika minimalna szerokość słupka musi wynosić 210 mm.
- Uchwyt mocujący ramię musi zostać zamocowany w solidnej części skrzydła (na przykład rama), aby zagwarantować trwałe i pewne jego przymocowanie;

- Sprawdź **wartość "E"** (rys. 2):

- Jeżeli **wartość "E"** jest z zakresu od 300 mm do 650 mm, należy ustawić ramię motoreduktora na ZREDUKOWANĄ długość. W tych warunkach kąt maksymalnego otwarcia skrzydła może dochodzić do 90°.

- Jeżeli **wartość "E"** jest równa lub większa od 650 mm, należy ustawić ramię motoreduktora na CAŁĄ długość. W tych warunkach kąt maksymalnego otwarcia skrzydła może dochodzić do 110°.



3.3 - Czynności przygotowujące do montażu

Na rys. 3 przedstawiona jest przykładowa instalacja automatyki, wykonana z zastosowaniem komponentów firmy **Nice**, (niektóre komponenty mogą nie znajdować się w zestawie):

- a - Siłownik z centralą mod. HK7024 - HK7024HS
- b - Siłownik bez centrali mod. HK7224 - HK7224HS
- c - Sygnalizator migający
- d - Dwie fotokomórki mod. MOFB
- e - Klawiatura cyfrowa (mod. MOTB) – Czytnik kart zbliżeniowych (mod. MOMB) – Przełącznik kluczowy (mod. MOSE)
- f - Dwa słupki do fotokomórek
- g - Ograniczniki mechaniczne zamykania
- h - Zamek elektryczny

Te komponenty są rozmieszczone zgodnie z typowym i powszechnie stosowanym schematem. Nawiązując do rys. 3, ustal przybliżone położenie, w którym zostanie zainstalowane każde urządzenie przewidziane w tej instalacji. **Ważne** – Przed przeprowadzeniem montażu przygotuj odpowiednio przewody elektryczne, niezbędne dla Twojej instalacji, nawiązując do rys. 4 oraz do "Tabeli 1 - Parametry techniczne przewodów elektrycznych". **Uwaga** – Podczas układania osłon umożliwiających przeprowadzenie przewodów elektrycznych, uwzględnij, że w wyniku możliwego gromadzenia się w nich wody, może powstawać zjawisko kondensatu wewnątrz centrali, co może być przyczyną uszkodzenia obwodów elektronicznych.

3.4 - Instalacja motoreduktora mod. HK7024 - HK7224 - HK7024HS - HK7224HS

ZALECENIA

- Nieprawidłowo wykonana instalacja może być przyczyną poważnych zagrożeń dla osoby wykonującej operacje oraz dla tych osób, które będą używać urządzenia.
- Przed rozpoczęciem montażu automatyki przeprowadź kontrole wstępne opisane w paragrafie 3.1 i 3.2.

Przed rozpoczęciem instalacji wyznacz długość ramienia siłownika, patrz paragraf 3.4.1.

3.4.1 - Wyznaczanie długości ramienia siłownika

- 01. Połącz komponenty, które stanowią ramię siłownika, jak pokazano na rys.5;

TABELA 1 - Parametry techniczne przewodów elektrycznych (rys. 4)

Podłączenie	Rodzaj przewodu	Maksymalna dozwolona długość
A: Przewód ZASILANIA CENTRALI STERUJĄCEJ	1 przewód 3 x 1,5 mm ²	30 m (uwaga 1)
B: Przewód ZAMKA ELEKTRYCZNEGO	1 przewód 2 x 1 mm ²	6 m
C: Przewód URZĄDZEŃ BLUEBUS	1 przewód 2 x 0,5 mm ²	20 m (uwaga 2)
D: Przewód PRZEŁĄCZNIKA KLUCZOWEGO	2 przewody 2 x 0,5 mm ² (uwaga 3)	50 m
E: Przewód ZASILANIA MOTOREDUKTORA Przewód do PODŁĄCZENIA ENKODERA	1 przewód 3 x 1,5 mm ² (uwaga 4) 1 przewód 2 x 1 mm ² (uwaga 4)	10 m 10 m
F: Przewód LAMPY OSTRZEGAWCZEJ z anteną	1 przewód 2 x 0,5 mm ² 1 przewód ekranowany typu RG58	20 m 20 m (zalecany jest przewód krótszy niż 5 m)

Uwaga 1 – Jeśli długość przewodu zasilania przekracza 30 m, należy zastosować przewód o większym przekroju (3 x 2,5 mm²) oraz uziemienie ochronne w pobliżu automatyki.

Uwaga 2 – Jeśli długość przewodu Bluebus przekracza 20 m, do maksimum 40 m, należy wykorzystać przewód o większym przekroju (2 x 1 mm²).

Uwaga 3 – Te dwa przewody mogą zostać zastąpione jednym przewodem 4 x 0,5 mm²

Uwaga 4 – Te przewody mogą zostać zastąpione jednym przewodem 5 x 1,5 mm².

UWAGA! – Zastosowane przewody muszą być przeznaczone dla rodzaju otoczenia, w którym odbywa się ich montaż.

02. Ustal położenie motoreduktora w kierunku PIONOWYM:

zaznaczyć na słupku linię poziomą, na tej samej wysokości, na której zostanie zamontowany uchwyt mocujący ramię na skrzydle bramy (rys. 6).

03. Ustal położenie motoreduktora w kierunku POZIOMYM (położenie A): UWAGA! – Jeżeli w pobliżu obszaru instalacji urządzenia znajduje się stała przeszkoda (ściana, drzewo, itp.) należy zmierzyć wartość E (rys. 2) i postępować jak następuje:

- Jeżeli wartość E jest wartością równą lub większą od 650 mm, przeczytaj paragraf 3.4.2
- Jeżeli wartość E jest w zakresie od 300 mm (minimum) do 650 mm (maksimum), przeczytaj paragraf 3.4.3

3.4.2 - Montaż motoreduktora z RAMIENIEM O CAŁEJ DŁUGOŚCI

01. a) Zmierz na słupku **wartość B** (rys. 7) = odległość pomiędzy osią obrotu skrzydła bramy a powierzchnią słupka, na którym zostanie przymocowany tylny uchwyt motoreduktora.

b) Przesuń skrzydło bramy do wybranego stopnia otwarcia (maksymalnie 110°): wartość kątowa.

c) Zaznacz na **Wykresie 2** obliczoną **wartość B** i wykreśl od tego punktu linię poziomą, która będzie przecinać się z **obszarem** obejmującym wartość kątową, zmierzoną w punkcie b.

d) W punktach przecięcia się **linii poziomej z tym obszarem** zaznacz linie pionowe wyznaczając wartości, które mogą być wykorzystywane dla **wartości A** (rys. 8). Następnie wybierz wartość A z tego zakresu.

e) Nanieś na słupku znaną **wartość A** i przeprowadź przez ten punkt linię pionową.

02. Przymocowanie uchwytu do słupka (rys. 9):

f) **faza 1-2:** Umieść uchwyt na słupku w taki sposób, aby jego pionowa linia środkowa pokrywała się z zaznaczoną wcześniej pionową linią (wartość A), a jego ramię z linią poziomą, zaznaczoną podczas procedury 3.4.1. W tej fazie upewnij się, że motoreduktor jest perfekcyjnie wypoziomowany: motoreduktor przekręcony lub przesunięty może powodować nieprawidłowe funkcjonowanie automatyki.

g) **faza 3-4:** Zaznacz punkty montażu, wywierć otwory w słupku i włóż kołki; teraz przymocuj uchwyt wykorzystując odpowiednie śruby i podkładki.

03. Przymocowanie ramienia motoreduktora do skrzydła:

h) Doprowadź skrzydło bramy do położenia maksymalnego zamknięcia;

i) **faza 5:** Przymocuj motoreduktor do uchwytu, wykorzystując dwie śruby i nakrętki znajdujące się wyposażeniu;

l) Odblokuj motoreduktor; patrz rozdz. 3.6;

m) **faza 6:** Mocno naciśnij ramię motoreduktora, **aż do jego maksymalnego wydłużenia (wyprostowania). Uwaga! - Upewnij się, że ramię zablokuje się na ograniczniku położenia w swoim przegubie;**

n) Dosuń ramię do skrzydła bramy, umieszczając na nim uchwyt mocujący.

o) **faza 7:** Upewnij się, że ramię motoreduktora jest wypoziomowane i zaznacz ołówkiem **środek otworów** uchwytu, aby umożliwić w przyszłości dokładne wyregulowanie podczas zamykania skrzydła bramy (przeczytaj paragraf 4.8).

p) Trzymając jedną ręką uchwyt umieszczony na skrzydle bramy, spróbuj wykonać jedno całkowite otwarcie i zamknięcie.

q) **faza 8:** Wywierć otwory na skrzydle bramy, w zaznaczonych na nim miejscach i zdejmij uchwyt z ramienia, następnie przymocuj do skrzydła przeznaczonymi do tego celu śrubami.

r) **faza 9:** Przymocuj ramię do uchwytu wkładając sworzeń oraz pierścień zabezpieczający typu benzing. **Ważne** – Sprawdź, czy uchwyt i ramię są prawidłowo wypoziomowane. Ewentualnie poluzuj śruby mocujące uchwyt i ponownie wypoziomuj.

s) Wyreguluj mechaniczne ograniczniki położenia; patrz rozdz. 3.5;

t) **faza 10:** Teraz uchył ręcznie skrzydło bramy do około połowy otwarcia i zablokuj motoreduktor specjalnym kluczem (patrz rozdz. 3.6). Następnie, aby zaszprzeglić siłownik, przesunij ręcznie skrzydło bramy o kilka centymetrów

trów w kierunku otwarcia.

04. Jeżeli przeznaczona do zautomatyzowania brama jest dwuskrzydłowa, aby zainstalować drugi motoreduktor musisz powtórzyć wszystkie operacje opisane w rozdziale 3.4

3.4.3 - Montaż motoreduktora z RAMIENIEM O ZREDUKOWANEJ DŁUGOŚCI

Uwaga! – W przypadku tej konfiguracji maksymalne dozwolone otwarcie skrzydła bramy wynosi 90°.

01. a) Zmierz na słupku **wartość B** (rys. 7) = odległość pomiędzy osią obrotu skrzydła bramy a powierzchnią słupka, na którym zostanie przymocowany tylny uchwyt motoreduktora.

b) Zaznacz na **Wykresie 2** wyznaczoną **wartość B** i następnie wykreśl od tego punktu linię poziomą, która będzie przecinać **obszar** o zakresie 90° - 95°.

c) W punktach przecięcia się, znajdujących się **pomiędzy linią poziomą a tym obszarem**, zaznacz linie pionowe, wyznaczając w ten sposób wartości, które mogą być wykorzystywane dla **wartości A** (wykres 2). Następnie wybierz wartość A z tego zakresu.

d) Nanieś na słupku znaną **wartość A** i przeprowadź przez ten punkt linię pionową.

02. Przymocuj uchwyt do słupka (rys. 10):

e) **faza 1-2:** Umieść uchwyt na słupku, w taki sposób, aby jego pionowa linia środkowa pokrywała się z linią pionową zaznaczoną wcześniej (wartość A), a jego ramię z linią poziomą, zaznaczoną podczas wykonywania procedury 3.4.1. W tej fazie upewnij się, że motoreduktor jest perfekcyjnie wypoziomowany: motoreduktor przekręcony lub przesunięty może powodować nieprawidłowe funkcjonowanie automatyki.

f) **faza 3-4:** Zaznacz punkty montażu, wywierć otwory w słupku i włóż kołki; teraz przymocuj uchwyt wykorzystując odpowiednie śruby i podkładki.

g) Doprowadź skrzydło bramy do położenia maksymalnego zamknięcia;

h) **faza 5:** Przymocuj motoreduktor do uchwytu, wykorzystując dwie śruby i nakrętki znajdujące się wyposażeniu;

i) Odblokuj motoreduktor; patrz rozdz. 3.6;

03. Sprawdzanie długości ramienia perforowanego w zależności od miejsca montażu urządzenia:

l) **faza 6:** Dosuń ramię do skrzydła bramy, umieszczając na nim uchwyt mocujący: **uwaga! - dociśnij rękami krzywe ramię do skrzydła bramy, aż do jego zablokowania w przegubie (maksymalne rozwarcie obu ramion).**

m) **faza 7:** Upewnij się, że ramię motoreduktora jest prawidłowo wypoziomowane i zaznacz ołówkiem **środek otworów** uchwytu, aby umożliwić w przyszłości dokładne wyregulowanie zamknięcia skrzydła bramy (przeczytaj paragraf 4.8).

n) Przymocuj prowizorycznie uchwyt na skrzydle bramy i doprowadź je do położenia maksymalnego otwarcia.

04. Przymocowanie ramienia motoreduktora do skrzydła bramy:

o) **faza 8:** Wywierć otwory w skrzydle bramy, w miejscach zaznaczonych wcześniej.

p) **faza 9-10:** Zdejmij uchwyt z ramienia i przykręć odpowiednimi śrubami do skrzydła bramy.

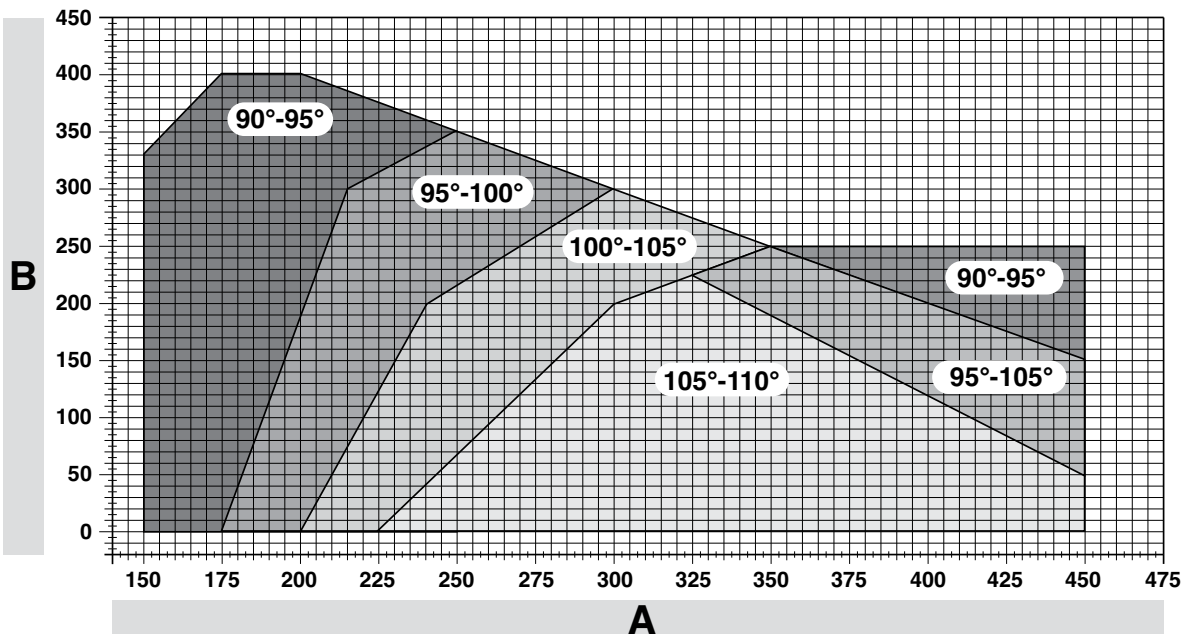
q) **faza 11:** Przymocuj ramię do uchwytu, wkładając sworzeń oraz pierścień zabezpieczający typu benzing. **Ważne** – Sprawdź, czy uchwyt i ramię są prawidłowo wypoziomowane. Ewentualnie poluzuj śruby mocujące uchwyt i prawidłowo wypoziomuj.

r) Wyreguluj mechaniczne ograniczniki położenia; patrz rozdz. 3.5.

s) **faza 12:** Teraz ustaw ręcznie skrzydło bramy na około połowę otwarcia i zablokuj motoreduktor specjalnym kluczem (patrz rozdz. 3.6) Następnie przesunij ręcznie skrzydło bramy kilka centymetrów w kierunku otwarcia, aby zaszprzeglić siłownik.

05. Jeżeli przeznaczona do zautomatyzowania brama jest dwuskrzydłowa, aby zainstalować drugi motoreduktor musisz powtórzyć wszystkie operacje opisane w rozdziale 3.4

WYKRES 2



3.5 - Regulacja mechanicznych ograniczników położenia

01. Ustaw ręcznie skrzydło bramy w położeniu maksymalnego otwarcia;
02. Obróć plastikową tarczę, znajdującą się w dolnej części motoreduktora, doprowadzając szczelinę pod ramię, do położenia pokazanego na **rys. 11-1**;
03. Włóż ogranicznik położenia do pierwszego możliwego położenia: spróbuj włożyć go jak pokazano na **rys. 11-2** (kierunek otwierania);
04. Obróć tarczę w taki sposób, aby zapobiec wypadnięciu ogranicznika, doprowadzając szczelinę do położenia pokazanego na **rys. 11-3**; wykonaj bardziej dokładną regulację z pomocą śruby regulacyjnej (**rys. 11-4**);
05. Jeżeli w instalacji brak ogranicznika zamykania zamontowanego na ziemi, należy powtórzyć procedurę od punktu 01, również podczas regulacji ogranicznika zamykania;
06. Teraz dokręć do końca nakrętkę mocującą tarczę (**rys. 11-5**), aby zapobiec przypadkowemu jej obróceniu.

3.6 - Blokowanie i odblokowywanie siłownika w trybie ręcznym

Motoreduktor jest wyposażony w mechaniczny system odblokowujący, który umożliwia otwieranie i zamykanie bramy w trybie ręcznym.

Te operacje wykonywane trybie ręcznym są niezbędne w przypadku braku prądu elektrycznego, nieprawidłowego funkcjonowania bramy lub podczas faz montażu.

Odblokowywanie (rys. 12-A):

01. Włóż klucz do odpowiedniego zamka;
02. Obróć klucz w kierunku zgodnym z ruchem wskazówek zegara (90°);
03. W wyniku działania sprężyny wysuwa się dźwignia: obróć dźwignię o 90° w kierunku przeciwnym do ruchu wskazówek zegara;
04. Teraz będzie możliwe ręczne przesunięcie skrzydła bramy do wybranego położenia.

Blokowanie (rys. 12-B):

01. Obróć dźwignię o 90°, ustawiając drążek w pozycji pionowej;
02. Naciśnij dźwignię wprowadzając ją do gniazda;
03. Obróć klucz o 90° w kierunku przeciwnym do ruchu wskazówek zegara i wyjmij.

4 PODŁĄCZENIA ELEKTRYCZNE

Podłączenie elektryczne różnych urządzeń (fotokomórki, klawiatury cyfrowe, czytniki kart zbliżeniowych (transpondery), itp., występujących w automatyce z centralą sterującą, musi być wykonane z zastosowaniem systemu "Bluebus" firmy Nice.

Opis połączeń elektrycznych (rys. 13)

ANTENA	wejście dla anteny odbiornika radiowego
FLASH	wejście dla 1 lampy ostrzegawczej z żarówką 12 V (maksymalnie 21 W). [*]
ELS	wejście dla zamka elektrycznego 12 Vpp (maksymalnie 15 VA). [*]
S.C.A.	"Kontrolka Stanu Bramy": wyjście dla 1 lampy sygnalizującej 24 V, maksymalnie 4 W. [*]
BLUEBUS	wejście dla urządzeń kompatybilnych (MOFB, MOFOB, MOB i MOTB; równoległe podłączenie urządzeń z zastosowaniem 2 przewodów, przez które przepływa zarówno zasilanie elektryczne jak i sygnały komunikacji; nie jest konieczne przestrzeganie biegunowości. Połączenie elektryczne, które należy zastosować jest połączeniem równoległym, które nie wymaga przestrzegania żadnej biegunowości. Podczas fazy rozpoznawania każde urządzenie podłączone do centrali zostanie przez nią rozpoznane pojedynczo, dzięki jednoznacznej kodowi. Za każdym razem, kiedy zostanie dodane lub usunięte jakieś urządzenie, musisz ponownie przeprowadzić procedurę rozpoznawania (przeczytaj paragraf 4.6).
STOP	wejście dla urządzeń, które swoim działaniem powodują natychmiastowe zatrzymanie wykonywanego manewru, po nim następuje krótka zmiana ruchu; możliwość połączenia styków typu NO, NC lub urządzeń z wyjściem o stałej oporności 8,2 kΩ (listwy rezystancyjne). Każde urządzenie podłączone do tego wejścia jest rozpoznawane przez centralę podczas fazy rozpoznawania (paragraf 3.4). Jeżeli w czasie pracy centrala odczyta na tym wejściu jakkolwiek zmianę w stosunku do stanu zapamiętanego przy programowaniu, natychmiast zatrzyma siłowniki (STOP). Możesz podłączyć do tego wejścia jedno lub kilka urządzeń, mogą to być również różne urządzenia: <ul style="list-style-type: none"> – podłącz równoległe kilka urządzeń typu NO, bez ograniczenia ilości; – podłączenie seryjne dowolnej ilości urządzeń NC;

	– podłącz równoległe 2 urządzenia z wyjściem o stałej oporności 8,2 kΩ. W przypadku podłączenia więcej jak dwóch urządzeń musisz podłączyć je kaskadowo, stosując tylko jedną oporność końcową 8,2 kΩ; – podłącz równoległe 2 urządzenia typu NO i NC, łącząc szeregowo styk NC z opornością 8,2 kΩ (umożliwia to również kombinację pomiędzy 3 urządzeniami NO - NC i 8,2 kΩ)
P.P.	wejście dla urządzeń sterujących, które poprzez swoje zadziałanie powodują wykonanie manewru w trybie Krok po Kroku; możliwość podłączenia styków typu NO
OPEN	wejście dla urządzeń sterujących, które poprzez swoje zadziałanie powodują wykonanie manewru otwierania; możliwość podłączenia styków typu NO
CLOSE	wejście dla urządzeń sterujących, które poprzez swoje zadziałanie powodują wykonanie tylko manewru zamykania; możliwość podłączenia styków typu NO
ENC1	wejście dla enkodera - motoreduktora 1 (zacisk 1, 2); nie należy przestrzegać żadnej biegunowości
ENC2	wejście dla enkodera - motoreduktora 2 (zacisk 4, 5); nie należy przestrzegać żadnej biegunowości
M1	wyjście dla motoreduktora 1 (zacisk 7, 8, 9)
M2	wyjście dla motoreduktora 2 (zacisk 10, 11, 12).

[*] Wyjścia FLASH, ELS i S.C.A. mogą być programowane z innymi funkcjami (patrz "TABELA 3 - Funkcje 1-go poziomu"; lub z zastosowaniem programatora Oview, przeczytaj rozdział 8.3).

4.1 - Podłączenia elektryczne motoreduktora do centrali mod. HK7024 - HK7024HS

Uwaga! – Wykonaj podłączenia elektryczne dopiero po zainstalowaniu motoreduktora.

ZALECENIA!

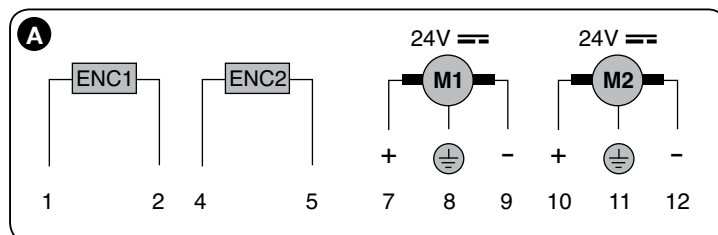
– Operacje podłączenia muszą być wykonywane wyłącznie przez personel wykwalifikowany.

– Wszystkie podłączenia elektryczne muszą być wykonane po odłączeniu zasilania elektrycznego i odłączeniu akumulatora awaryjnego, jeśli znajduje się w automatyce.

– Na elektrycznej linii zasilania przygotuj urządzenie, które zagwarantuje całkowite odłączenie automatyki od sieci. Urządzenie rozłączające zasilanie musi gwarantować odległość pomiędzy stykami, umożliwiającą całkowite rozłączenie w warunkach zatwierdzonej III kategorii przepięcia, zgodnie z zasadami montażu. W przypadku, kiedy jest to konieczne, urządzenie to gwarantuje szybkie i pewne rozłączenie zasilania; dlatego też musi znajdować się w widocznym miejscu automatyki. Jeżeli natomiast znajduje się w pozycji niewidocznej, musi posiadać system, który zablokuje ewentualne ponowne, przypadkowe lub nieautoryzowane podłączenie zasilania, w celu uniknięcia jakiegokolwiek niebezpieczeństwa. Urządzenie rozłączające nie jest dostarczone razem z urządzeniem.

01. Otwórz pokrywę (**rys. 14-1**);
02. Podnieś centralę (**rys. 14-2**);
03. Włóż przewód zasilający i inne przewody elektryczne przez jeden z otworów, znajdujących się w dolnej części motoreduktora; ściągnij znajdującą się na nich izolację (**rys. 14-4**);
04. Odkręć zaciski i włóż przewód zasilający do specjalnego rowka (**rys. 14-5**);
05. Podłącz najpierw przewód zasilający, patrz **rys. 14-6**;
06. Zablokuj przewód zasilający z pomocą zacisku (**rys. 14-7**);
07. Teraz podłącz przewody elektryczne silników M1 i M2, przestrzegając symboli znajdujących się na tabliczkach (**rys. A**):
 - a) podłącz silnik, który uruchamia spodnie skrzydło bramy (**drugie**, które rozpoczyna manewr otwierania) do zacisku M1 (7-8-9), następnie podłącz odpowiedni enkoder do zacisków 1-2;
 - b) podłącz silnik, który uruchamia wierzchnie skrzydło bramy (**pierwsze**, które rozpoczyna manewr otwierania) do zacisku M2 (10-11-12), następnie podłącz odpowiedni enkoder do zacisków 4-5.

WAŻNE! – Jeżeli w instalacji znajduje się tylko jeden motoreduktor, podłącz go do zacisku M2, pozostawiając wolny zacisk M1;



08. Teraz podłącz przewody elektryczne pozostałych urządzeń nawiązując do **rys. 17** i przeczytaj paragraf 4.3. **Uwaga – Aby ułatwić podłączenie przewodów możesz wyjąć zaciski z gniazd;**
09. Zamknij pokrywę motoreduktora (**fig. 14-8**).

4.2 - Podłączenia motoreduktora bez centrali mod. HK7224 - HK7224HS

01. Otwórz pokrywę jak pokazano na **rys. 15-1**;
02. Włóż przewód silnika przez jeden z otworów, znajdujących się w dolnej

- części motoreduktora; ściągnij znajdującą się na nich izolację (rys. 15-2);
03. Odkręć zacisk kabla (rys. 15-3), ułóż kabel w specjalnym rowku i podłącz przewody jak pokazano na rys. 16-4; przestrzegaj symboli zamieszczonych na tabliczce;
03. Zablokuj przewód z pomocą zacisku (rys. 15-5);
04. Zamknij pokrywę motoreduktora (fig. 15-6).

4.3 - Podłączenie innych urządzeń

Jeżeli wymagane jest zastosowanie dodatkowych urządzeń przewidzianych w instalacji, na przykład czytnika kart zbliżeniowych lub oświetlenia przełącznika kluczowego, jest możliwe podłączenie tych dwóch urządzeń do centrali sterującej, wykorzystując zaciski "P.P. (dodatni)" i "STOP (ujemny)" (rys. 13). Napięcie zasilania wynosi 24 Vcc (-30% ÷ +50%), maksymalny prąd do dyspozycji wynosi 200 mA. **Uwaga** – Napięcie dostępne w zaciskach "P.P." i "STOP" pozostaje obecne również w przypadku włączenia funkcji "Stand By" w centrali.

4.4 - Adresowanie podłączonych urządzeń

Aby umożliwić centrali rozpoznawanie urządzeń podłączonych do systemu Bluebus należy najpierw zaadresować te urządzenia. Ta operacja musi być wykonana poprzez prawidłowe ustawienie mostków elektrycznych, znajdujących się w każdym urządzeniu: patrz rys. B.

Aby zaadresować inne urządzenia przeczytaj odpowiednie instrukcje obsługi. Po wykonaniu procedury instalacji lub w następstwie demontażu fotokomórek lub innych urządzeń, należy wykonać procedurę rozpoznawania tych urządzeń; patrz paragraf 4.6.

B

ADRESY FOTOKOMÓREK	
Fotokomórka	Mostki
FOTO Fotokomórka zewnętrzna wys. = 50 aktywna podczas zamykania (zatrzymuje i zmienia kierunek ruchu)	
FOTO II Fotokomórka zewnętrzna wys. = 100 aktywna podczas zamykania (zatrzymuje i zmienia kierunek ruchu)	
FOTO 1 Fotokomórka wewnętrzna wys. = 50 aktywna zarówno podczas zamykania (zatrzymuje i zmienia kierunek ruchu) jak i podczas otwierania (zatrzymuje i wznowia ruch po zwolnieniu fotokomórki)	
FOTO 1 II Fotokomórka wewnętrzna wys. = 100 aktywna zarówno podczas zamykania (zatrzymuje i zmienia kierunek ruchu) jak i podczas otwierania (zatrzymuje i wznowia ruch po zwolnieniu fotokomórki)	
FOTO 2 Fotokomórka wewnętrzna aktywna podczas zamykania (zatrzymuje i zmienia kierunek ruchu)	
FOTO 2 II Fotokomórka wewnętrzna aktywna podczas otwierania (zatrzymuje i zmienia kierunek ruchu)	
FOTO 3 KONFIGURACJA NIEDOZWOLONA	

4.5 - Pierwsze włączenie i weryfikacja połączeń

Po podłączeniu zasilania elektrycznego do centrali sterującej wykonaj następujące czynności:

- odczekaj kilka sekund i sprawdź, czy dioda "Bluebus" (rys. 16) miga prawidłowo, z częstotliwością 1 błysku na sekundę;
- sprawdź, czy diody fotokomórek (rys. 16), zarówno TX jak i RX, wykonują błyski. Rodzaj błysku podczas tej fazy nie jest ważny;
- Sprawdź, czy lampa ostrzegawcza podłączona do wyjścia FLASH jest wyłączona (nie świeci).

Jeżeli jest inaczej odłącz zasilanie centrali i sprawdź połączenia elektryczne.

4.6 - Rozpoznawanie urządzeń podłączonych

Po pierwszym włączeniu urządzenia rozpoznaj z pomocą centrali urządzenia podłączone do wejść "Bluebus" i "Stop".

UWAGA! – Faza rozpoznawania musi być wykonana również, jeśli do tych wejść nie są podłączone żadne urządzenia.

Centrala jest w stanie rozpoznawać różne urządzenia podłączone do niej, dzięki zastosowaniu procedury rozpoznawania, może również wykrywać możliwe nieprawidłowości w nich występujące. Dlatego też rozpoznawanie urządzeń należy wykonywać zawsze w przypadku dodania lub usunięcia któregokolwiek z urządzeń. Diody "L1" i "L2" znajdujące się w centrali (rys. 16), wolno migają, wskazując, że należy uruchomić proces rozpoznawania:

01. Wciśnij równocześnie i przytrzymaj przyciski "◀" i "Set" (rys. 16).
02. Zwolnij przyciski, kiedy diody "L1" i "L2" zaczną migać szybciej, (po około 3 sekundach).
03. Odczekaj kilka sekund, aż do zakończenia fazy rozpoznawania urządzeń przez centralę.
04. Po zakończeniu tej fazy dioda "Stop" musi się zaświecić a diody "L1" i "L2" muszą zgasnąć, (mogą zacząć migotać diody "L3" i "L4").

4.7 - Zapamiętanie pozycji mechanicznych ograniczników położenia

Po zaprogramowaniu podłączonych urządzeń (paragraf 4.6) należy zaprogramować pozycje ograniczników mechanicznych (maksymalne otwarcie i maksymalne zamknięcie). Ta procedura może być wykonywana w trzech trybach: **automatyczny, ręczny i mieszany**.

W trybie **automatycznym** centrala wykonuje programowanie ograniczników mechanicznych i oblicza przesunięcia fazowe najbardziej odpowiednie dla skrzydeł bramy (SA i SC, rys. C).

W trybie **ręcznym** następuje pojedynczo zaprogramowanie ośmiu charakterystycznych pozycji skrzydeł bramy (rys. C) poprzez przesuwanie skrzydła bramy do wybranych miejsc i zapamiętanie go. Programowane położenie jest rozpoznawane dzięki migotaniu jednej z 8 diod (L1...L8), patrz Tabela 2.

W trybie **mieszanym** jest możliwe wykonanie procedury automatycznej i następnie modyfikowanie jednej lub kilku pozycji w trybie ręcznym, za wyjątkiem pozycji "0" i "1" (rys. C), które pokrywają się z pozycjami mechanicznych ograniczników położenia.

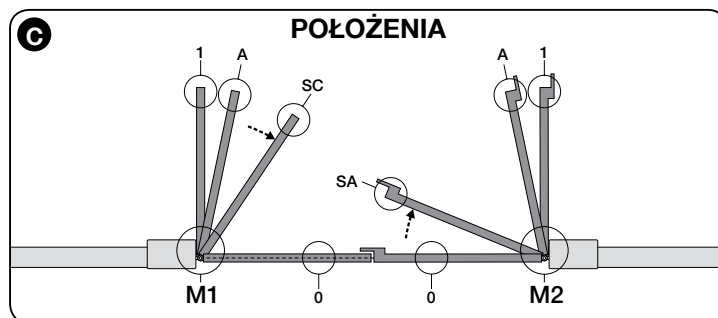


TABELA 2		
Położenie	dioda	Opis
Położenie 0 (siłownik 1)	L1	Położenie maksymalnego zamknięcia: kiedy skrzydło 1 opiera się o ogranicznik mechaniczny zamykania
Położenie 0 (siłownik 2)	L2	Położenie maksymalnego zamknięcia: kiedy skrzydło 2 opiera się o ogranicznik mechaniczny zamykania
Położenie SA (siłownik 2)	L3	Przesunięcie fazowe podczas otwierania: kiedy skrzydło 2 osiąga to położenie rozpoczyna się otwieranie skrzydła 1
Położenie A (siłownik 1)	L4	Wybrane położenie otwierania: położenie, w którym skrzydło podłączone do siłownika 1 musi zatrzymać się po zakończeniu manewru otwierania. Nie jest konieczne, aby to położenie pokrywało się z ogranicznikiem mechanicznym otwierania, może ono być wybierane w zależności od upodobania pomiędzy położeniami "0" i "1"
Położenie A (siłownik 2)	L5	Wybrane położenie otwierania: położenie, w którym skrzydło podłączone do siłownika 2 musi zatrzymać się po zakończeniu manewru otwierania. Nie jest konieczne, aby to położenie pokrywało się z ogranicznikiem mechanicznym otwierania, może ono być wybierane w zależności od upodobania pomiędzy położeniami "0" i "1"
Położenie SC (siłownik 1)	L6	Przesunięcie fazowe podczas zamykania: kiedy skrzydło 1 osiąga to położenie, rozpoczyna się zamykanie skrzydła 2
Położenie 1 (siłownik 1)	L7	Położenie maksymalnego otwarcia: kiedy skrzydło 1 opiera się o ogranicznik mechaniczny otwierania
Położenie 1 (siłownik 2)	L8	Położenie maksymalnego otwarcia: kiedy skrzydło 2 opiera się o ogranicznik mechaniczny otwierania

4.7.1 - Programowanie w trybie **automatycznym** centrali HKA2: dla mod. HK7024 i HK7024HS

01. Wciśnij i przytrzymaj wciśnięte jednocześnie przyciski "Set" i "▶";
02. Mod. HK7024

zwolnić przyciski „Set” i „▶”, gdy diody „L3” i „L4” zaczynają szybko migać (po około 4 sekundach)	Mod. HK7024HS zwolnić przyciski „Set” i „▶”, gdy diody „L5” i „L6” zaczynają szybko migać (po około 7 sekundach)
--	---
03. Sprawdź, czy automatyka wykona następujące manewry:

a - Wolne zamknięcie motoreduktora M1 aż do ogranicznika mechanicznego	b - Wolne zamknięcie motoreduktora M2 aż do ogranicznika mechanicznego
c - Wolne otwarcie motoreduktora M2 a potem motoreduktora M1 aż do ogranicznika mechanicznego	

d - Szybkie całkowite zamknięcie motoreduktora M1 i M2

Zalecenia:

- Jeżeli pierwszy manewr (a) nie powoduje zamknięcia skrzydła bramy, sterowanego przez silnik M1 i powoduje natomiast zamknięcie skrzydła sterowanego przez silnik M2, wcisnij przycisk "◀" lub "▶", aby przerwać fazę programowania. Teraz zamień połączenia silników M1 i M2 na zaciskach znajdujących się w centrali oraz połączenia odpowiednich enkoderów, następnie rozpocznij procedurę od punktu 01;
- Jeżeli pierwsze dwa manewry (a i b) nie są "zamknięciem" ale "otwarcem", wcisnij przycisk "◀" lub "▶", aby zatrzymać fazę programowania. Następnie w motoreduktorze, który wykonał manewr otwierania zamień biegunowość dwóch przewodów: w motoreduktorze M1 (zaciski 7 i 9) a w motoreduktorze M2 (zaciski 10 i 12), i rozpocznij procedurę od punktu 01;

04. Po zakończeniu manewru zamykania obu siłowników (d), diody:

"L3" i "L4" = HK7024

"L5" i "L6" = HK7024HS

zgasną, wskazując, że procedura została wykonana prawidłowo.

Zalecenia:

- Jeżeli podczas procedury programowania w trybie automatycznym zostanie stwierdzone zadziałanie fotokomórek lub urządzenia podłączonego do wejścia "stop", procedura zostanie przerwana a dioda L1 zacznie migotać. Aby ponownie uaktywnić programowanie należy wznowić procedurę od punktu 01;
- Procedura programowania w trybie automatycznym może zostać wznowiona w dowolnej chwili, również po dokonaniu montażu; na przykład w następnym momencie zmiany pozycji ograniczników mechanicznych.

4.7.2 - Programowanie w trybie ręcznym centrali HKA2: TYLKO dla mod. HK7024

Uwaga! – Poczynając od kroku 03:

- aby przejść z diody L1 do L8 należy krótko wcisnąć przycisk ◀ lub ▶ (dioda będzie migotać wskazując aktualne położenie);
- aby umożliwić przemieszczanie się silnika w danym kierunku należy wcisnąć i przytrzymać przycisk ◀ lub ▶.

01. Wcisnij i przytrzymaj jednocześnie przyciski "Set" i "▶";

02. Zwolnij je, kiedy dioda "L1" zaczyna migotać (po około 1 sekundzie); **Uwaga** – Po upływie 3 sekund, jeżeli przyciski "Set" i "▶" nie zostaną zwolnione, uaktywni się procedura "programowanie w trybie automatycznym" w zastępstwie programowania w trybie ręcznym.

03. • dioda L1 migie: **położenie 0 M1**

Aby ustawić siłownik 1 w **położeniu 0 (rys. C)**: wcisnij i przytrzymaj przycisk "◀" lub "▶". Po uzyskaniu wymaganego położenia zwolnij przycisk, aby zatrzymać wykonywany manewr. Aby wczytać położenie wcisnij i przytrzymaj przycisk "Set" przez co najmniej 3 sek. i następnie zwolnij, (po 2 sek. dioda L1 zapali się na stałe a po zwolnieniu przycisku "Set" zaczyna migać dioda L2).

• dioda L2 migie: **położenie 0 M2**

Aby ustawić siłownik 2w **położeniu 0 (rys. C)**: wcisnij i przytrzymaj przycisk "◀" lub "▶". Po uzyskaniu wymaganego położenia zwolnij przycisk, aby zatrzymać wykonywany manewr. Aby wczytać położenie wcisnij i przytrzymaj przycisk "Set" przez co najmniej 3 sek. i następnie zwolnij, (po 2 sek. dioda L2 zapali się na stałe a po zwolnieniu przycisku "Set" zaczyna migać dioda L3).

• dioda L3 migie: **położenie SA M2**

Aby stawić siłownik 2 w **położeniu SA (rys. C)**: wcisnij i przytrzymaj przycisk "◀" lub "▶". Po uzyskaniu wymaganego położenia zwolnij przycisk, aby zatrzymać wykonywany manewr. Aby wczytać położenie wcisnij i przytrzymaj przycisk "Set" przez co najmniej 3 sek. i następnie zwolnij, (po 2 sek. dioda L3 zapali się na stałe a po zwolnieniu przycisku "Set" zaczyna migać dioda L4).

• dioda L4 migie: **położenie A M1**

Aby ustawić siłownik 1 w **położeniu A (rys. C)**: wcisnij i przytrzymaj przycisk "◀" lub "▶". Po uzyskaniu wymaganego położenia zwolnij przycisk, aby zatrzymać wykonywany manewr. Aby wczytać położenie wcisnij i przytrzymaj przycisk "Set" przez co najmniej 3 sek. i następnie zwolnij, (po 2 sek. dioda L4 zapali się na stałe a po zwolnieniu przycisku "Set" zaczyna migać dioda L5).

• dioda L5 migie: **położenie A M2**

Aby ustawić siłownik 2 w **położeniu A (rys. C)**: wcisnij i przytrzymaj przycisk "◀" lub "▶". Po uzyskaniu wymaganego położenia zwolnij przycisk, aby zatrzymać wykonywany manewr. Aby wczytać położenie wcisnij i przytrzymaj przycisk "Set" przez co najmniej 3 sek. i następnie zwolnij, (po 2 sek. dioda L5 zapali się na stałe a po zwolnieniu przycisku "Set" zaczyna migać dioda L6).

• dioda L6 migie: **położenie SC M1**

Aby ustawić siłownik 1 w **położeniu SC (rys. C)**: wcisnij i przytrzymaj przycisk "◀" lub "▶". Po uzyskaniu wymaganego położenia zwolnij przycisk, aby zatrzymać wykonywany manewr. Aby wczytać położenie wcisnij i przytrzymaj przycisk "Set" przez co najmniej 3 sek. i następnie zwolnij, (po 2 sek. dioda L6 zapali się na stałe a po zwolnieniu przycisku "Set" zaczyna migać dioda L7).

• dioda L7 migie: **położenie 1 M1**

Aby ustawić siłownik 1w **położeniu 1 (rys. C)**: wcisnij i przytrzymaj przycisk "◀" lub "▶". Po uzyskaniu wymaganego położenia zwolnij przycisk, aby zatrzymać wykonywany manewr. Aby wczytać położenie wcisnij i przytrzymaj przycisk "Set" przez co najmniej 3 sek. i następnie zwolnij, (po 2 sek. dioda L7 zapali się na stałe a po zwolnieniu przycisku "Set" zaczyna migać dioda L8).

• dioda L8 migie: **położenie 1 M2**

Aby ustawić siłownik 2 w **położeniu 1 (rys. C)**: wcisnij i przytrzymaj przycisk "◀" lub "▶". Po uzyskaniu wymaganego położenia zwolnij przycisk, aby zatrzymać wykonywany manewr. Aby wczytać położenie wcisnij i przytrzymaj przycisk "Set" przez co najmniej 3 sek. i następnie zwolnij, aby wyjść z programowania, (po upływie 2 sek. dioda L8 zapali się na

stałe - aż do zwolnienia przycisku "Set").

Uwaga – Ręczne programowanie systemu z pojedynczymi siłownikami: należy postępować, jak opisano w tym paragrafie, poczynając od kroku 01. **W kroku 03, należy:**

- **Zaprogramować pozycje odpowiadające diodzie L1 (0 dla M1) oraz L7 (1 dla M1) następująco:** nacisnąć i przytrzymać przycisk "Set" na co najmniej 3s, następnie zwolnić. (po 2s dioda zapali się na stałe a po zwolnieniu przycisku zacznie migać kolejna dioda).

- **Nie należy programować pozycji związanych z diodami L3 (SA dla M2) - L4 (A dla M1) - L6 (SC dla M1):** krótko nacisnąć przyciski "◀" lub "▶" aby przejść na kolejne diody.

4.7.3 - Programowanie w trybie mieszanym centrali HKA2: dla mod. HK7024 i HK7024HS

Wykonaj tę procedurę po wcześniejszym zaprogramowaniu urządzenia w trybie automatycznym:

01. Wcisnij i przytrzymaj jednocześnie wcisnięte przyciski "Set" i "▶";

02. Zwolnij je, kiedy dioda "L1" zaczyna migotać (po około 1 sekundzie); **Uwaga** – Po upływie 3 sekund, jeżeli przyciski "Set" i "▶" nie zostaną zwolnione, uaktywni się procedura "programowanie w trybie automatycznym" w zastępstwie programowania w trybie ręcznym.

03. Krótko wciskając przycisk "◀" lub "▶" zmienić pozycję migającej diody (L1...L8) na tę, którą zamierzasz zaprogramować i kontynuuj w ten sam sposób dla każdej pojedynczej pozycji, jak opisano w kroku 03 programowania w trybie ręcznym (paragraf 4.7.2).

Powtórz tę ostatnią operację dla wszystkich pozostałych pozycji, które zamierzasz zmienić.

Aby zakończyć programowanie w trybie ręcznym wcisnij kilkakrotnie przycisk "▶", aby zmienić pozycję migającej diody i przesunąć ją powyżej L8.

4.8 - Kontrola ruchu skrzydeł bramy

Po zakończeniu fazy rozpoznawania zaleca się wykonanie kilku manewrów otwierania i zamykania, sterowanych przez centralę, aby w ten sposób sprawdzić poprawność ruchu bramy i wychwycić ewentualne usterki montażowe i regulacyjne.

01. Wcisnij przycisk "Open". Sprawdź prawidłowe przesunięcie fazowe skrzydeł bramy podczas otwierania, sprawdź również, czy podczas manewru otwierania występuje faza przyspieszania, faza ruchu ze stałą prędkością, i faza zwalniania oraz czy skrzydła zatrzymują się w odległości kilku centymetrów od ograniczników mechanicznych otwierania;

02. Wcisnij przycisk "Close" i sprawdź, czy podczas manewru zamykania występuje faza przyspieszania, faza ruchu ze stałą prędkością i faza zwalniania. Sprawdź prawidłowe przesunięcie fazowe skrzydeł bramy podczas zamykania. Po zakończeniu operacji skrzydła bramy muszą być perfekcyjnie zamknięte, opierając się na ograniczniku mechanicznym zamykania;

03. Sprawdź, czy podczas wykonywania manewru lampa ostrzegawcza migie regularnie z częstotliwością - raz na sekundę (0,5s włączona i 0,5s wyłączona).

5

ODBIÓR TECHNICZNY I URUCHAMIANIE

Oto najważniejsze czynności wybrane tak, by zagwarantować maksimum bezpieczeństwa i niezawodność automatyki. Procedura testowania może być również zastosowana przy okresowej kontroli poszczególnych urządzeń automatyki. Procedura testowania i odbioru musi być przeprowadzona przez wykwalifikowany i doświadczony personel, który musi ocenić jakie testy przeprowadzić, oceniając wymagany poziom bezpieczeństwa i zgodność instalacji z obowiązującymi przepisami i normami, a szczególnie z postanowieniami EN 12445, która określa metody testów dla systemów automatyki bram.

Urządzenia dodatkowe muszą zostać poddane specjalnej procedurze testowej, zarówno ze względu na ich funkcjonalność jak i odnośnie prawidłowego współdziałania z HYKE; należy postępować zgodnie z instrukcjami zawartymi w instrukcjach obsługi poszczególnych urządzeń.

5.1 - Odbiór

Sekwencja czynności do wykonania podczas procedury testowania odnosi się do typowej instalacji (rys. 3):

- 1 Sprawdź, czy są ściśle przestrzegane wszelkie zalecenia przewidziane w rozdziale "Zalecenia dotyczące instalacji".
- 2 Odblokować ręcznie siłowniki i sprawdzić, czy naciskając na skrzydło bramy, w miejscu przewidzianym do manewrów ręcznych, możliwe jest przesunięcie skrzydeł bramy podczas otwarcia lub zamknięcia, przy użyciu siły mniejszej od 390 N.
- 3 Zablokować siłowniki (zob. rozdział 3.6).
- 4 Używając urządzeń sterujących (nadajnika, przycisku sterowania, przełącznika kluczykowego, itd.), wykonać próby Otwarcia, Zamknięcia i Zatrzymania bramy, upewniając się, czy ruch skrzydeł bramy odpowiada temu przewidzianemu. Zaleca się przeprowadzenie wielu, aby następnie móc określić ruch skrzydeł bramy i upewnić się, czy zostały wyeliminowane ewentualne błędy w montażu, błędy regulacyjne lub występowanie punktów tarcia
- 5 Sprawdzić działanie wszystkich urządzeń zabezpieczających wchodzących w skład instalacji: (fotokomórki, listwy ochronne itd.). Gdy urządzenie uruchomi się, spowoduje 2 szybkie mignięcia diody led "BLUEBUS", znajdującej się na centrali, jako potwierdzenie przeprowadzonej procedury rozpoznania.
- 6 Jeśli niebezpieczne sytuacje powodowane przez ruch skrzydeł bramy zostały wyeliminowane poprzez ograniczenie uderzenia, należy zmierzyć siłę uderzenia wg normy EN 12445 i ewentualnie, by pomóc systemowi w ograniczeniu uderzenia, należy spróbować znaleźć regulację dającą najlepsze rezultaty.

5.2 - Uruchamianie

Uruchomienie powinno nastąpić dopiero po pomyślnym zakończeniu wszystkich testów.

- 1 Sporządzić dokumentację techniczną automatyki, która powinna zawierać następujące dokumenty: rysunek zestawieniowy automatyki, schemat połączeń elektrycznych, analizę ryzyka wraz z opisem wdrożonych środków zapobiegawczych, deklarację zgodności producenta wszystkich użytych urządzeń oraz deklarację zgodności wypełnioną przez osobę, która dokonała montażu.
- 2 Na bramie umieścić tabliczkę zawierającą przynajmniej następujące dane: typ automatu, nazwę i adres producenta (osoby odpowiedzialnej za "rozruch"), numer fabryczny, rok produkcji i znak "CE".

- 3 Wypełnić Deklarację Zgodności i przekazać ją właścicielowi systemu automatyki.
- 4 Wypełnić i zwrócić właścicielowi automatyki "Instrukcję obsługi" automatyki.
- 5 Wypełnić i oddać właścicielowi automatyki "Program przeglądów", który powinien zawierać dane dotyczące konserwacji wszystkich urządzeń składowych automatyki.
- 6 Przed przekazaniem instalacji należy poinformować użytkownika o zagrożeniach i niebezpieczeństwach związanych z automatyką.
Odnosnie powyższej dokumentacji, firma Nice dzięki serwisowi obsługi technicznej oddaje do dyspozycji Klientów: instrukcje obsługi, przewodniki i wstępnie wypełnione formularze. Odwiedź także: www.nice-service.com

6 PROGRAMOWANIE CENTRALI STERUJĄCEJ

Na centrali znajdują się 3 przyciski **OPEN** (◀), **STOP (SET)**, **CLOSE** (▶), które mogą być wykorzystywane zarówno do sterowania centrali podczas faz próbnych, jak również podczas programowania dostępnych funkcji. Funkcje programowalne będące do dyspozycji użytkownika, są rozmieszczone na 2 poziomach, ich stan jest sygnalizowany przez 8 diod (**L1 ... L8**) na centrali, (dioda świeci się = funkcja jest aktywna; dioda nie świeci się = funkcja jest nieaktywna).

Używanie przycisków programowania:

OPEN (◀): – przycisk umożliwiający sterowanie otwieraniem bramy; – przycisk wyboru podczas fazy programowania.

STOP/SET: przycisk umożliwiający zatrzymanie wykonywanego manewru; jeżeli pozostanie wciśnięty przez dłużej niż 5 sekund umożliwia wejście do fazy programowania.

CLOSE (▶): – przycisk umożliwiający sterowanie zamykaniem bramy; – przycisk wyboru podczas fazy programowania.

6.1 - Programowanie pierwszego poziomu (ON-OFF)


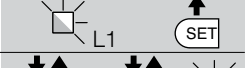

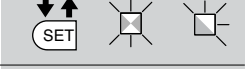

Wszystkie funkcje pierwszego poziomu są ustawione fabrycznie na "OFF" i mogą być zmieniane w każdej chwili. Aby sprawdzić różne funkcje przejrzyj **Tabele 3**. Procedura programowania funkcji jest przedstawiona w **Tabele 4**.

WAŻNE – Podczas wykonywania procedury programowania maksymalny czas trwania przerwy pomiędzy wciśnięciem kolejnych przycisków wynosi 10 sekund. Po upływie tego czasu procedura kończy się automatycznie, zostaną zapamiętane funkcje ustawione do tej chwili.

TABELA 3 - Funkcje pierwszego poziomu

Dioda	Funkcja	Opis
L1	Automatyczne zamykanie	Funkcja AKTYWNA: po wykonaniu manewru otwierania następuje przerwa, (równa zaprogramowanemu czasowi trwania przerwy), po której centrala automatycznie uruchamia manewr zamykania. Ustawiona fabrycznie wartość czasu przerwy wynosi 30 sek. Funkcja NIEAKTYWNA: funkcjonowanie "półautomatyczne".
L2	Zamknij po FOTO	Funkcja AKTYWNA: jeżeli podczas manewru otwierania lub zamykania zadziałają fotokomórki, czas trwania przerwy zostaje skrócony do 5 sek., niezależnie od zaprogramowanego "czasu trwania przerwy". W przypadku, kiedy "automatyczne zamykanie" jest nieaktywne, jeśli podczas zamykania zadziałają fotokomórki, następuje uaktywnienie "automatycznego zamykania", z zaprogramowanym "czasem trwania przerwy".
L3	Zamknij zawsze	Funkcja AKTYWNA: w przypadku przerwy w dopływie energii elektrycznej, również krótkiej, po ponownym podłączeniu prądu centrala rozpoznaje, że brama jest otwarta i automatycznie uruchamia manewr zamykania, poprzedzony przez trwające 5 sek. miganie lampy ostrzegawczej. Funkcja NIEAKTYWNA: po ponownym podłączeniu prądu elektrycznego brama pozostaje w spoczynku.
L4	Stan czuwania całego urządzenia	Funkcja AKTYWNA: po upływie 1 minuty od zakończenia manewru centrala wyłączy wyjście "Bluebus" (podłączone urządzenia), magistralę T4 (podłączone urządzenia), wyjścia flash, ELS i sca, niektóre obwody wewnętrzne oraz wszystkie diody, oprócz diody Bluebus, która będzie wolniej migotać. Kiedy centrala otrzyma polecenie, przywróci prawidłowe funkcjonowanie urządzenia (z krótkim opóźnieniem). Celem tej funkcji jest ograniczenie zużycia energii elektrycznej, ważny aspekt w przypadku zasilania z akumulatora lub z zastosowaniem paneli fotoelektrycznych.
L5	Zamek elektryczny/ Światelko nocne	Funkcja AKTYWNA: wyjście "zamek elektryczny" realizuje funkcję "światelko nocne". Funkcja NIEAKTYWNA: wyjście funkcjonuje jako obsługa zamka elektrycznego.
L6	Miganie wstępne	Funkcja AKTYWNA: lampa ostrzegawcza zacznie migać 3sekundy przed rozpoczęciem manewru (otwierania i zamykania), w celu zasygnalizowania z wyprzedzeniem sytuacji niebezpiecznej. Funkcja NIEAKTYWNA: sygnalizacja lampy ostrzegawczej pokrywa się z rozpoczęciem manewru.
L7	"Zamknięcie" zmienia się na "Otwarcie częściowe 1"	Funkcja AKTYWNA: sygnał sterujący, podany na wejście "Zamykanie" (lub aktywacja 4 kanału odbiornika radiowego wywoła "częściowe otwarcie 1".
L8	"Kontrolka stanu bramy" lub "Kontrolka konserwacji"	Funkcja AKTYWNA: wyjście "kontrolka stanu bramy" przełączy się na funkcję "kontrolka konserwacji". Funkcja NIEAKTYWNA: wyjście funkcjonuje jako "kontrolka stanu bramy".

TABELA 4 - Procedura programowania pierwszego poziomu

01. Wciśnij i przytrzymaj przycisk "Set" przez około 3 sekundy;	
02. Zwolnij przycisk, kiedy dioda "L1" zacznie migać;	
03. Wciskając przycisk "◀" lub "▶" przesuń migającą diodę na pozycję odpowiadającą funkcji, którą należy zmienić;	
04. Wciśnij na krótki przycisk "Set" aby zmienić stan funkcji: (krótki błysk = OFF - długi błysk = ON);	
05. Odczekaj 10 sekund (maksymalny czas), aby wyjść z programowania.	

Uwaga – Aby zaprogramować inne funkcje na "ON" lub "OFF", podczas wykonywania tej procedury można powtórzyć punkty 03 i 04 nie wychodząc z programowania.

6.2 - Programowanie drugiego poziomu (parametry regulowane)

Wszystkie parametry drugiego poziomu są wstępnie ustawione fabrycznie; są one zaznaczone szarym kolorem w Tabeli 5 i mogą być modyfikowane w każdej chwili, zgodnie z opisem zamieszczonym w Tabeli 6.

Parametry są regulowane w skali od 1 do 8; aby sprawdzić wartość odpowia-

dającą każdej diodzie przejrzyj Tabelę 8. **WAŻNE** – Podczas wykonywania procedury programowania maksymalny czas trwania przerwy pomiędzy wciśnięciem kolejnych przycisków wynosi 10 sekund. Po upływie tego czasu procedura kończy się automatycznie i zostaną zapamiętane funkcje, ustawione do tej chwili.

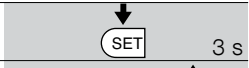
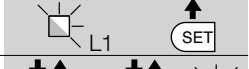

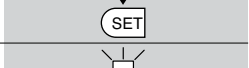
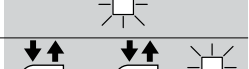
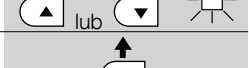


TABELA 5 - Funkcje drugiego poziomu

Dioda wejścia	Parametr	Dioda (poziom)	Wartość	Opis
L1	Czas trwania przerwy	L1	5 sekund	Reguluje czas trwania przerwy, czyli zwłokę przed zamknięciem automatycznym. Działa wyłącznie, jeśli "automatyczne zamknięcie" jest aktywne.
		L2	15 sekund	
		L3	30 sekund	
		L4	45 sekund	
		L5	60 sekund	
		L6	80 sekund	
		L7	120 sekund	
		L8	180 sekund	
L2	Funkcja Krok po Kroku	L1	Otwarcie – stop – zamknięcie – stop	Reguluje sekwencję poleceń połączonych z wejściem "Krok po Kroku", "Otwieranie", "Zamykanie" lub z poleceniem radiowym. Uwaga – Ustawiając L4, L5, L7 i L8, ulega zmianie również zachowanie poleceń "Otwieranie" i "Zamykanie".
		L2	Otwarcie – stop – zamknięcie – otwarcie	
		L3	Otwarcie – zamknięcie – otwarcie – zamknięcie	
		L4	Zespół mieszkalny: • podczas manewru otwierania polecenie "Krok po kroku" i "Otwieranie" nie działają; natomiast polecenie "Zamykanie" powoduje zmianę ruchu, czyli zamknięcie bramy. • podczas manewru zamykania polecenie "Krok po kroku" i "Otwieranie" powodują zmianę ruchu, czyli otwarcie bramy; natomiast polecenie "Zamykanie" nie wywiera żadnego skutku.	
		L5	Cspół mieszkalny 2: • podczas manewru otwierania polecenie "Krok po kroku" i "Otwieranie" nie działają; natomiast polecenie "Zamykanie" powoduje zmianę ruchu, czyli zamknięcie bramy. Jeżeli wysłane polecenie trwa więcej niż 2 sekundy, brama przejdzie do stanu "Stop" . • podczas manewru zamykania polecenie "Krok po kroku" i "Otwieranie" powodują zmianę ruchu, czyli otwarcie bramy; natomiast polecenie "Zamykanie" nie działa. Jeżeli wysłane polecenie trwa więcej niż 2 sekundy, brama przejdzie do stanu "Stop" .	
		L6	Krok po kroku 2 (sygnał krótszy niż 2s daje otwarcie częściowe)	
		L7	W obecności użytkownika: manewr zostanie wykonany wyłącznie, jeśli wysłane polecenie nadal trwa; jeżeli natomiast zostanie ono przerwane manewr zostanie zatrzymany.	
		L8	Otwieranie w trybie "półautomatycznym", zamykanie "w obecności użytkownika"	
L3	Prędkość siłowników	L1	Bardzo niska	Reguluje prędkość silników podczas ruchu głównego.
		L2	Niska	
		L3	Średnia	
		L4	Duża	
		L5	Bardzo duża	
		L6	Maksymalna	
		L7	Otwieranie szybkie (L4), Zamykanie wolne (L2)	
		L8	Otwieranie maksymalnie szybkie (L6), Zamykanie ze średnią prędkością (L3)	
L4	Odręczenie siłowników po zamknięciu	L1	Brak odręczenia	Reguluje czas trwania "krótkiego odwrócenia kierunku" w obu silnikach po wykonaniu manewru Zamknięcia, w celu zredukowania pozostałego naporu końcowego, zagwarantowania odpowiedniego zamknięcia i ułatwienia manualnego odblokowania motoreduktora.
		L2	Poziom 1 - Odręczenie minimalne (około 100 ms)	
		L3	Poziom 2 - ...	
		L4	Poziom 3 - ...	
		L5	Poziom 4 - ...	
		L6	Poziom 5 - ...	
		L7	Poziom 6 - ...	
		L8	Poziom 7 - Rozładowanie maksymalne (około 800 ms)	
L5	Siła siłowników	L1	Poziom 1 - Siła minimalna	Reguluje siłę obu silników.
		L2	Poziom 2 - ...	
		L3	Poziom 3 - ...	
		L4	Poziom 4 - ...	
		L5	Poziom 5 - ...	
		L6	Poziom 6 - ...	
		L7	Poziom 7 - ...	
		L8	Poziom 8 - Siła maksymalna	
L6	Furtka dla pieszych lub częściowe otwarcie	L1	Furtka 1 (otwarcie skrzydła 2 na 1/4 pełnego otwarcia)	Reguluje rodzaj otwarcia połączonego z poleceniem "otwarcie częściowe 1". Na poziomach L5, L6, L7, L8; przez otwarcie "minimalne" przyjmowane jest mniejsze otwarcie spośród M1 i M2; na przykład, jeżeli M1 otwiera się na 90° a M2 na 110°; otwarcie minimalne wynosi 90°
		L2	Furtka 2 (otwarcie skrzydła 2 na 1/2 pełnego otwarcia)	
		L3	Furtka 3 (otwarcie skrzydła 2 na 3/4 pełnego otwarcia)	
		L4	Furtka 4 (całkowite otwarcie skrzydła 2)	
		L5	Częściowe 1 (otwarcie obu skrzydeł na 1/4 otwarcia "minimalnego")	
		L6	Częściowe 2 (otwarcie obu skrzydeł na 1/2 otwarcia "minimalnego")	
		L7	Częściowe 3 (otwarcie obu skrzydeł na 3/4 otwarcia "minimalnego")	
		L8	Częściowe 4 (pełne otwarcie obu skrzydeł równe otwarciu "minimalnemu")	

L7	Zawiadomienie o konserwacji	L1	500	Ustala ilość manewrów, po przekroczeniu której centrala zasignalizuje konieczność wykonania przeglądu automatyki; przeczytaj paragraf 6.3.2. – Zawiadomienie o konserwacji.
		L2	1000	
		L3	1500	
		L4	2500	
		L5	5000	
		L6	10000	
		L7	15000	
		L8	20000	
L8	Wykaz anomalii	L1	Wynik 1-go manewru (ostatniego)	Umożliwia sprawdzenie typu anomalii, która nastąpiła podczas wykonywania ostatnich 8 manewrów. Patrz TABELA 10 - Wykaz historii anomalii.
		L2	Wynik 2-go manewru	
		L3	Wynik 3-go manewru	
		L4	Wynik 4-go manewru	
		L5	Wynik 5-go manewru	
		L6	Wynik 6-go manewru	
		L7	Wynik 7-go manewru	
		L8	Wynik 8-go manewru	

Uwaga – Kolorem szarym oznaczone są wartości ustawione fabrycznie.

TABELA 6 - Procedura programowania drugiego poziomu

01. Wciśnij i przytrzymaj przycisk "Set" przez około 3 sekundy;	
02. Zwolnij przycisk, kiedy dioda "L1" zacznie migać;	
03. Wciskając przycisk "◀" lub "▶" przesunij migającą diodę na pozycję odpowiadającą parametrowi, który chcesz modyfikować;	
04. Wciśnij i przytrzymaj przycisk "Set" aż do zakończenia punktu 06;	
05. Odczekaj około 3 sekundy, aż do zaświecenia się diody, która reprezentuje aktualny poziom modyfikowanego parametru;	
06. Naciskaj przycisk "◀" lub "▶" aby zmienić diodę, która reprezentuje wartość parametru;	
07. Zwolnij przycisk "Set";	
08. Odczekaj 10 sekund (maksymalny czas), aby wyjść z programowania.	

Uwaga – Aby zaprogramować kilka parametrów podczas wykonywania tej procedury, powtórz operacje od punktu 03 do punktu 07, nie wychodząc z programowania.

6.3 - Funkcje szczególne

6.3.1 - Funkcja: "Uruchom zawsze"

Ta funkcja umożliwia funkcjonowanie automatyki również w przypadku, kiedy jakieś urządzenie zabezpieczające nie funkcjonuje prawidłowo lub jest niezdatne do użytku. Jest wtedy możliwe sterowanie automatyką w trybie ręcznym ("w obecności użytkownika"), postępując w następujący sposób:

01. Wyślij z pomocą nadajnika lub przełącznika kluczewego, itp. polecenie, aby uruchomić bramę. Jeżeli wszystkie urządzenia funkcjonują prawidłowo, brama będzie działać prawidłowo, w przeciwnym przypadku należy postępować jak opisano niżej;
02. w ciągu 3 sekund ponownie uaktywnij polecenie i przytrzymaj sygnał (przycisk, przekreślony kluczyk itp.);
03. po upływie około 2 sekund brama wykona żądany manewr w trybie ręcznym ("w obecności użytkownika"), czyli będzie się poruszać wyłącznie dopóki sygnał będzie aktywny.

Jeżeli urządzenia zabezpieczające nie funkcjonują prawidłowo, lampa ostrzegawcza wykona kilka krótkich błysków, umożliwiających rozpoznanie rodzaju problemu (przeczytaj rozdział 6 - Tabela 8).

6.3.2 - Funkcja: "Zawiadomienie o konserwacji"

Ta funkcja służy do sygnalizowania, kiedy należy wykonać przegląd automatyki. Zawiadomienia o konserwacji następuje przy pomocy lampki podłączonej do wyjścia S.C.A., w przypadku, kiedy to wyjście jest zaprogramowane, jako "Kontrolka konserwacji". Różne sygnały kontrolki są podane w Tabeli 7.

Aby zaprogramować ilość manewrów do przeglądu przejrzyj Tabelę 5.

Tabela 7 - Sygnalizacja "Kontrolka konserwacji"

Ilość manewrów	Sygnalizacja
Poniżej 80% limitu	Kontrolka świeci się przez 2 sekundy na początku każdego manewru.
Od 81% do 100% limitu	Kontrolka miga przez cały czas trwania manewru.
Powyżej 100% limitu	Kontrolka miga stale.

6.4 - Kasowanie pamięci

Aby skasować pamięć centrali i zresetować wszystkie ustawienia fabryczne postępuj w następujący sposób: wciśnij i przytrzymaj przyciski "◀" i "▶", dopóki diody led L1 i L2 nie zaczną migotać.

7 CO ZROBIĆ JEŚLI... (przewodnik do rozwiązywania problemów)

Niektóre urządzenia mogą wysyłać sygnały, z pomocą których jest możliwe rozpoznanie stanu funkcjonowania lub ewentualnych anomalii.

Jeżeli do wyjścia FLASH, znajdującego się w centrali, zostanie podłączona lampa ostrzegawcza, będzie ona migać podczas wykonywania manewru w odstępach 1- sekundowych. W przypadku wystąpienia anomalii, lampa ostrzegawcza wykona serię krótkich błysków, która zostanie powtórzona dwa razy, z 1-sekundową pauzą. W Tabeli 8 opisana jest przyczyna i rozwiązanie, odpowiadające różnym komunikatom.

Również diody znajdujące się na centrali wysyłają różne sygnały; w Tabeli 9 jest opisana przyczyna i rozwiązanie odpowiadające różnym komunikatom.

Jest możliwe odczytanie ewentualnych anomalii, które wystąpiły w czasie ostatnich 8 manewrów; odwołaj się do Tabeli 10.


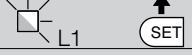


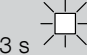


TABELA 8 - Sygnalizacja lampy ostrzegawczej (FLASH)

Błyski	Problem	Rozwiązanie
krótki błysk 1 - sekundowa przerwa 1 krótki błysk	Błąd w systemie Bluebus	Kompletacja urządzeń podłączonych do Bluebus, sprawdzana na początku manewru, nie odpowiada tej - zapamiętanej podczas fazy rozpoznawania. podejrzenie urządzeń odłączonych lub uszkodzonych, sprawdź je lub wymień, jeśli jest to konieczne. Jeżeli zostały wprowadzone zmiany ponownie rozpoznaj urządzenia, (przeczytaj paragraf 4.6).
2 krótkie błyski 1 - sekundowa przerwa 2 krótkie błyski	Zadziałanie fotokomórki	Brak przyzwolenia na ruch z jednej lub kilku linii FOTO lub zmiana ruchu spowodowana przez fotokomórki; sprawdź i usuń przeszkodę.
3 krótkie błyski 1 - sekundowa przerwa 3 krótkie błyski	Zadziałanie funkcji "Wykrywanie przeszkód"	Siłowniki napotkały podczas ruchu większe obciążenie; sprawdź przyczynę i ewentualnie zwiększ poziom siły siłowników
4 krótkie błyski 1 - sekundowa przerwa 4 krótkie błyski	Zadziałanie wejścia STOP	Na początku manewru lub podczas ruchu zadziałało jedno z urządzeń podłączonych do wejścia STOP; sprawdź przyczynę.
5 krótkich błysków 1 - sekundowa przerwa 5 krótkich błysków	Błąd w parametrach wewnętrznych centrali sterującej	Odczekaj co najmniej 30 sekund i następnie ponownie spróbuj wysłać polecenie, ewentualnie wyłącz i po chwili włącz zasilanie; jeżeli ten stan utrzymuje się nadal, możliwe, że nastąpiło poważne uszkodzenie i należy wymienić centralę.
6 krótkich błysków 1 - sekundowa przerwa 6 krótkich błysków	Została przekroczona maksymalna dopuszczalna ilość kolejnych manewrów lub ilość manewrów wykonanych w ciągu godziny	Odczekaj kilka minut, aby w ten sposób ponownie ustawić ogranicznik manewrów poniżej maksymalnej granicy.
7 krótkich błysków 1 - sekundowa przerwa 7 krótkich błysków	Anomalia w obwodach elektrycznych	Odczekaj co najmniej 30 sekund i następnie ponownie spróbuj wysłać polecenie, ewentualnie wyłącz i po chwili włącz zasilanie; jeżeli ten stan utrzymuje się nadal, jest możliwe, że nastąpiło poważne uszkodzenie i należy wymienić centralę.
8 krótkich błysków 1 - sekundowa przerwa 8 krótkich błysków	Sygnal sterujący nie został wyłączony i blokuje to wykonanie innych poleceń	Sprawdź charakter sygnału; np. sygnał z timera na wejściu "otwarcie".
9 krótkich błysków 1 - sekundowa przerwa 9 krótkich błysków	Automatyka została zablokowana przez polecenie "Zablokuj automatykę"	Odblokuj automatykę wysyłając polecenie "Odblokuj automatykę".
10 krótkich błysków 1 - sekundowa przerwa 10 krótkich błysków	Zadziałanie funkcji "Wykrywanie przeszkód" z enkodera	Siłowniki zostały podczas ruchu przeciążone przez większe tarcie; sprawdź przyczynę.

TABELA 9 - Sygnalizacje diod w centrali sterującej (rys. 16)

Dioda	Problem	Rozwiązanie
BLUEBUS		
Zgaszona	Anomalia	Sprawdź, czy centrala jest zasilana; sprawdź bezpieczniki. Jeśli są przepalone, sprawdź przyczynę uszkodzenia i wymień bezpieczniki na inne, o tej samej wartości
Świeci	Poważna anomalia	Nastąpił poważny problem: spróbuj odłączyć i po chwili włączyć zasilanie centrali. Jeżeli nie pomoże - wymień centralę
1 błysk na sekundę	Wszystko prawidłowe	Prawidłowe funkcjonowanie centrali
2 szybkie błyski	Zmiana stanu wejść	Stan prawidłowy, jeżeli na jednym z wejść (P.P., STOP, OPEN, CLOSE nastąpi zmiana lub zadziałanie fotokomórek lub wysłanie polecenia z nadajnika
Seria błysków z przerwą 1 - sekundową	Różne	Odwołaj się do Tabeli 8
STOP		
Zgaszona	Zadziałanie urządzeń podłączonych do wejścia STOP	Sprawdź urządzenia podłączone do wejścia STOP
Świeci	Wszystko prawidłowo	Wejście STOP w stanie czuwania
P.P.		
Zgaszona	Wszystko prawidłowo	Wejście P.P. nieaktywne
Świeci	Zadziałanie wejścia P.P.	Stan prawidłowy, jeśli urządzenie podłączone do wejścia P.P. wysyła właśnie sygnał
OPEN		
Zgaszona	Wszystko prawidłowo	Wejście OPEN nieaktywne
Świeci	Zadziałanie wejścia OPEN	Stan prawidłowy, jeśli urządzenie podłączone do wejścia OPEN wysyła właśnie sygnał
CLOSE		
Zgaszona	Wszystko prawidłowo	Wejście CLOSE nieaktywne
Świeci	Zadziałanie wejścia CLOSE	Stan prawidłowy, jeśli urządzenie podłączone do wejścia CLOSE wysyła właśnie sygnał
L1 - L2 Wolne miganie	Zmiana ilości urządzeń odłączonych do Bluebus lub rozpoznawanie urządzenia nie wykonane	Wykonaj rozpoznawanie urządzeń (przeczytaj paragraf 4.6)
L3 - L4 Wolne miganie	Zmiana podczas rozpoznawania typu siłowników lub pozycji ograniczników mechanicznych	Rozpoznawanie pozycji ograniczników mechanicznych nie zostało wykonane (przeczytaj paragraf 4.7)

TABELA 10 - Historia anomalii

01. Wciśnij i przytrzymaj przycisk "Set" przez około 3 sekundy;	
02. Zwolnij przycisk, kiedy dioda "L1" zacznie migać;	
03. Wciśnij przycisk "◀" lub "▶" aby przesunąć się z migającej diody L1 na diodę L8 (Wykaz anomalii);	
04. Wciśnij i przytrzymaj przycisk "Set" aż do zakończenia punktu 06;	
05. Odczekaj około 3 sekundy, dopóki nie zaświecą się diody, które reprezentują manewry, w czasie których nastąpiły anomalie. Dioda L1 wskazuje wynik ostatniego wykonanego manewru a dioda L8 wskazuje ósmy (najdawniejszy) manewr. Jeżeli dioda świeci się oznacza to, że wystąpiły anomalie, jeśli natomiast dioda nie świeci się wszystkie operacje zostały wykonane prawidłowo;	
06. Wciśnij przyciski "◀" i "▶" aby wybrać dany manewr: dioda odpowiadająca temu manewrowi wykona ilość błysków równą ilości błysków wykonywanych zwykle przez lampę ostrzegawczą - przy danej usterce;	
07. Zwolnij przycisk "Set".	

8 ROZSZERZENIE WIADOMOŚCI

Dla motoreduktora HYKE są przewidziane następujące akcesoria (opcjonalne): odbiorniki z rodziny SMXI, OXI, programator Oview, panel słoneczny Solemyo i akumulator awaryjny mod. PS124.

8.1 - Podłączenie odbiornika radiowego

Centrala sterująca zawiera złącze umożliwiające podłączenie odbiorników radiowych (urządzenie opcjonalne), należących do rodziny SMXI, OXI. Aby podłączyć odbiornik odłącz zasilanie elektryczne od centrali i postępuj jak pokazano na **rys. 17**. W **Tabeli 11** i **Tabeli 12** są zamieszczone polecenia odpowiadającym kolejnym wyjściom odbiornika radiowego.

Tabela 11 SMXI / SMXIS lub OXI / OXIFM / OXIT / OXITFM w trybie I lub II	
Wyjście Nr.1	Polecenie "K.K." (Krok po kroku)
Wyjście Nr.2	Polecenie "otwarcie częściowe 1"
Wyjście Nr.3	Polecenie "Otwarcie"
Wyjście Nr.4	Polecenie "Zamknięcie"

Tabela 12 OXI / OXIFM / OXIT / OXITFM w trybie II poszerzonym		
Nr	Polecenie	Opis
1	Krok po Kroku	Polecenie "K.K." (Krok po kroku)
2	Otwarcie częściowe 1	Polecenie "Otwarcie częściowe 1"
3	Otwarcie	Polecenie "Otwarcie"
4	Zamknięcie	Polecenie "Zamknięcie"
5	Stop	Zatrzymanie manewru
6	Krok po kroku w bloku mieszkalnym	Działanie w trybie "bloku mieszkalnego"
7	Krok po kroku z dużym priorytetem	Działa również w przypadku zablokowania automatyki lub przy innym, podtrzymanym sygnale sterującym
8	Otwarcie częściowe 2	Otwieranie częściowe (otwarcie skrzydła 2, równe 1/2 całkowitego otwarcia)
9	Otwarcie częściowe 3	Otwieranie częściowe (otwarcie dwóch skrzydeł, równe 1/2 całkowitego otwarcia)
10	Otwarcie i Zablokowanie automatyki	Powoduje wykonanie manewru otwarcia a po jego zakończeniu zablokowanie automatyki; centrala nie akceptuje żadnego innego polecenia za wyjątkiem "Krok po kroku z dużym priorytetem", "Odblokuj" lub (tylko z Oview) następujące polecenia: "Odblokowanie i zamknięcie" i "Odblokowanie i otwarcie"
11	Zamknięcie i Zablokowanie automatyki	Powoduje wykonanie manewru zamknięcia a po jego zakończeniu zablokowanie automatyki; centrala nie akceptuje żadnego innego polecenia za wyjątkiem "Krok po kroku z dużym priorytetem", "Odblokuj" lub (tylko z Oview) następujące polecenia: "Odblokowanie i zamknięcie" i "Odblokowanie i otwarcie"

12	Zablokowanie automatyki	Powoduje zatrzymanie manewru i zablokowanie automatyki; centrala nie akceptuje żadnego innego polecenia za wyjątkiem "Krok po kroku z dużym priorytetem", "Odblokuj" lub (tylko z Oview) następujące polecenia: "Odblokowanie i zamknięcie" i "Odblokowanie i otwarcie"
13	Odblokowanie automatyki	Powoduje odblokowanie automatu i przywrócenie zwykłego funkcjonowania
14	Włączenie timera światełka nocnego	Włącza się wyjście "światelko nocne", którego wyłączenie jest regulowane timerem
15	Włączenie-Wyłączenie światełka nocnego	Wyjście "światelko nocne" włącza się i wyłącza w trybie "krok po kroku"

8.2 - Podłączenie i instalacja akumulatora rezerwowego mod. PS124

UWAGA! - Podłączenie elektryczne akumulatora do centrali musi być wykonane tylko po zakończeniu wszystkich etapów montażu i programowania, ponieważ akumulator spełnia funkcję zasilania awaryjnego.

Aby zainstalować i podłączyć akumulator, należy postępować zgodnie z fazami montażowymi pokazanymi na **rys. 18**.

8.3 - Podłączenie programatora Oview

Na centrali umieszczona jest wtyczka BusT4, do której można podłączyć jednostkę programującą Oview, która pozwala na całkowite i szybkie kierowanie fazą instalacyjną, konserwacyjną i diagnostyczną całej automatyki. Aby uzyskać dostęp do wtyczki należy koniecznie postępować zgodnie z wskazówkami zamieszczonymi na **rys. 19** i podłączyć wtyczkę do odpowiedniego gniazda. Oview może zostać podłączony do kilku Centrali jednocześnie (aż do 5 bez szczególnych zaleceń, aż do 60 - przestrzegając stosownych zaleceń) i może pozostać podłączony do centrali, także podczas normalnego działania automatyki. W takim przypadku można użyć, w celu bezpośredniego wysłania poleceń do centrali, specjalnego menu "użytkownik". Możliwe jest również dokonanie uaktualnienia Firmware. Jeśli w centrali znajduje się odbiornik radiowy należący do rodziny OXI, używając Oview można uzyskać dostęp do parametrów nadajników zapisanych przez odbiornik.

8.4 - Podłączenie systemu zasilania energią słoneczną Solemyo

UWAGA! - W przypadku, kiedy automatyka jest zasilana przez system "Solemyo", NIE MOŻE BYĆ ZASILANA jednocześnie z sieci elektrycznej.

Aby uzyskać więcej informacji dotyczących systemu Solemyo odwołaj się do odpowiedniej instrukcji obsługi.

Aby podłączyć system Solemyo postępuj jak pokazano na **rys. 20**.

8.5 - Podłączenie zewnętrznego systemu odblokowującego Kio

UWAGA! - System Kio musi zostać podłączony do motoreduktora, który rusza jako pierwszy do otwierania (startując z położenia brama zamknięta).

01. Otwórz pokrywę motoreduktora (**fig. 21-1**);
02. Wyjmij plastikową obudowę, jak pokazano na **rys. 21-2**;
03. Włóż do odpowiedniego otworu śrubę z nakrętką, jak pokazano na **rys. 21-3**;
04. Zaczep dwa końce sprężyny, jak pokazano na **rys. 22-4**;
05. Włóż stalowy przewód najpierw do śruby a następnie do otworu sworzni, jak pokazano na **rys. 21-5**;

- 06** Zablokuj przewód dokręcając specjalną śrubę (rys. 21-5);
07. Włóż drugi koniec przewodu do jednego z dwóch otworów, znajdujących się w dolnej części motoreduktora, jak pokazano na rys. 21-6;
08. Załóż wcześniej zdjętą plastikową osłonę i następnie pokrywę motoreduktora (rys. 21-7);
09. Teraz podłącz przewód do Kio nawiązując do odpowiednich instrukcji obsługi.

- 02.** Sprawdź stan zużycia uchwytów i kołków rozporowych ze szczególnym zwróceniem uwagi na erozję i utlenianie części; wymienić te części, których stan nie daje wystarczającej gwarancji użytkowej;
03. Wykonać próbę odblokowania, aby sprawdzić ich prawidłową pracę, zobacz paragraf 3.6.
04. Podłączyć ponownie źródła zasilania elektrycznego i przeprowadzić wszystkie testy i kontrole przewidziane w rozdziale 5 - Odbiór techniczny.

9 KONSERWACJA PRODUKTU

W celu utrzymania stałego poziomu bezpieczeństwa i zagwarantowania maksymalnej trwałości całego systemu automatyki, konieczna jest regularna konserwacja. Konserwacja powinna zostać przeprowadzona, zgodnie z zaleceniami dotyczącymi bezpieczeństwa, opisanymi w niniejszej instrukcji obsługi oraz obowiązującymi przepisami i normami.

System należy poddawać częstym testom, w celu sprawdzenia, czy występują braki równowagi skrzydeł, oznaki zużycia lub uszkodzenia przewodów. Nie używać automatyki, jeśli wymaga ona regulacji lub naprawy.

Ważne – Podczas konserwacji lub czyszczenia produktu, należy odłączyć centralę od zasilania elektrycznego i od baterii, o ile występują.

Odnosnie innych urządzeń znajdujących się w systemie, należy postępować zgodnie z odpowiednimi planami konserwacji.

Dla siłowników HK7024, HK7224, HK7024HS, HK7224HS konieczna jest konserwacja planowa, maksymalnie co 6 miesięcy lub 20 000 manewrów od poprzedniej konserwacji.

Aby przeprowadzić konserwację należy postępować w sposób następujący:

- 01.** Odłączyć wszystkie źródła zasilania elektrycznego, wraz z ewentualnymi akumulatorkami rezerwowymi;

UTYLIZACJA PRODUKTU

Produkt ten jest integralną częścią automatyki i w związku z tym musi być poddany utylizacji razem z nią.

Podobnie jak przy instalacji, także przy zakończeniu użytkowania niniejszego produktu czynności utylizacji powinny być wykonane przez personel wykwalifikowany. Niniejszy produkt składa się z różnego rodzaju materiałów: niektóre z nich mogą być powtórnie użyte, inne muszą zostać poddane utylizacji. Należy zasięgnąć informacji o systemach wtórnego przerobu i utylizacji, przewidzianych przez lokalne przepisy dla tej kategorii produktu.

Uwaga! – Niektóre elementy produktu mogą zawierać substancje szkodliwe lub niebezpieczne, które pozostawione w otoczeniu mogłyby zaszkodzić środowisku lub zdrowiu ludzkiemu.

Zgodnie ze wskazaniem symbolu na rysunku obok, zabronione jest wyrzucanie tego produktu razem z odpadami domowymi. W celu utylizacji produktu należy przeprowadzić "segregację odpadów" na potrzeby utylizacji, według metod przewidzianych przez lokalne przepisy, lub zwrócić produkt sprzedawcy podczas zakupu nowego, równorzędnego produktu.



Uwaga! – lokalne przepisy mogą przewidywać poważne sankcje w przypadku samodzielnej likwidacji tego produktu.

Utylizacja akumulatora rezerwowego (jeśli występuje)

Uwaga! – Rozładowany akumulator zawiera substancje zanieczyszczające i dlatego nie można wyrzucać go do odpadów miejskich.

Należy poddać go utylizacji, używając metod "sortowania" odpadów. zgodnie z obowiązującymi normami na danym terytorium.

Trwałość urządzenia

Trwałość urządzenia to jego średni, ekonomicznie uzasadniony okres eksploatacji. Okres trwałości urządzenia jest silnie uzależniony od wskaźnika uciążliwości manewrów wykonywanych przez automatykę: czyli od sumy wszystkich czynników, które wpływają na zużycie urządzenia (patrz Tabela 13).

Aby ustalić prawdopodobny okres trwałości Twojej automatyki postępuj w następujący sposób:

- 01.** Oblicz wskaźnik uciążliwości sumując wartości procentowe pozycji znajdujących się w Tabeli 13;

- 02.** Na Wykresie 3 wyznacz linię pionową od właśnie obliczonej wartości od przecięcia z krzywą wykresu; od tego punktu wyznacz linię poziomą do linii "ilości cykli". Obliczona wartość jest oszacowaną trwałością Twojego urządzenia.

Szacowanie trwałości urządzenia jest wykonywane na podstawie obliczeń projektowych oraz wyników prób wykonywanych na prototypach. Ponieważ jest to tylko szacowanie nie daje ono żadnej gwarancji rzeczywistej trwałości urządzenia.

Przykład obliczeń trwałości motoreduktora HYKE z ramieniem o CAŁEJ długości (odwołaj się do Tabeli 13 oraz do Wykresu 3):

- długość skrzydła = 2,8 m (wskaźnik uciążliwości: 20%); - ciężar skrzydła: 230 Kg (wskaźnik uciążliwości: 20%); - pełne skrzydło (wskaźnik uciążliwości: 15%); Wskaźnik całkowitej uciążliwości = 55%; Trwałość oszacowana = 220.000 cykli

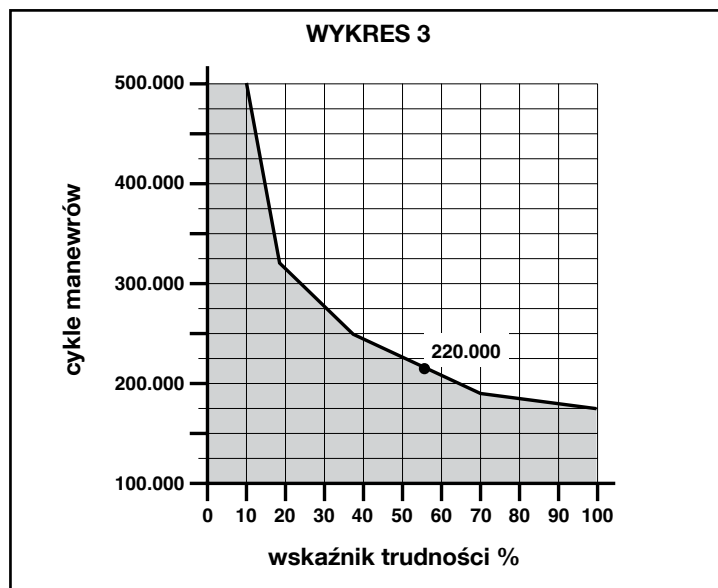


TABELA 13

	Wskaźnik uciążliwości		
	ramię z CAŁĄ długością	ramię ze ZREDUKOWANĄ długością	
Długość skrzydła	< 1,8	0%	15%
	1,8 - 2,5 m	15%	20%
	2,5 - 3 m	20%	30%
	3 - 3,5 m	30%	-
Ciężar skrzydła	< 200 kg	0%	30%
	200 + 250 kg	20%	40%
	> 250 kg	30%	-
Temperatura środowiskowa powyżej 40°C lub poniżej 0°C lub wilgotność większa od 80%	20%	20%	
Pełne skrzydło	15%	20%	
Instalowanie urządzenia w strefie wietrznej	15%	20%	

Uwaga – Podane dane dotyczą równoważonej bramy dwuskrzydłowej, podlegającej prawidłowej eksploatacji i konserwacji

PARAMETRY TECHNICZNE URZĄDZENIA

ZALECENIA: • Wszystkie podane parametry techniczne dotyczą temperatury środowiskowej 20°C (± 5°C). • Firma Nice S.p.a. zastrzega sobie prawo do wprowadzenia zmian do urządzenia w każdej chwili, kiedy uzna je za konieczne, zachowując te same funkcje i przeznaczenie.

	HK7024K	HK7024KHS	HK7224K	HK7224KHS
Typologia	Motoreduktor elektromechaniczny do automatyk do bram i drzwi automatycznych z silnikiem na prąd stały, przekładnią planetarną i odblokowaniem mechanicznym. Wbudowana centrala sterująca i odbiornik radiowy OXI		Motoreduktor elektromechaniczny do automatyk do bram i drzwi automatycznych z silnikiem na prąd stały, przekładnią planetarną i odblokowaniem mechanicznym.	
Maksymalny moment obrotowy	500 Nm			
Znamionowy moment obrotowy	120 Nm			
Prędkość bez obciążenia	1.5 RPM	2 RPM	1.5 RPM	2 RPM
Maksymalna częstotliwość cykli	40 cykli/godzinę			
Maksymalny czas pracy bez przerwy	około 7 minut			
Ograniczenia zastosowania	urządzenie może być stosowane w bramach o ciężarze skrzydła do 330 kg i długości do 3.5 m	urządzenie może być stosowane w bramach o ciężarze skrzydła do 270 kg i długości do 3 m	urządzenie może być stosowane w bramach o ciężarze skrzydła do 330 kg i długości do 3.5 m	urządzenie może być stosowane w bramach o ciężarze skrzydła do 270 kg i długości do 3 m
Trwałość	oszacowana od 150.000 do 500.000 cykli, zgodnie z warunkami zamieszczonymi w tabeli 13 i na Wykresie 3			
Zasilanie	230 Vac ±10%; 50/60 Hz		24 Vdc (±10%)	
Zasilanie awaryjne	Przystosowanie dla akumulatora awaryjnego PS124			
Zasilanie dostarczane przez panele słoneczne	przystosowanie dla zestawu SYKCE			
Maksymalna moc pobierana	300 W		140 W	
Maksymalny prąd pobierany	1,5 A (3 A dla wersji HK7024K/V1)		6 A przez maksymalny czas 2 s	
Moc pobierana w "Stanie czuwania całego urządzenia" z zasilaniem dostarczonym przez PS124 lub zestaw SYKCE (włącznie z odbiornikiem OXI)	poniżej 100 mW			
Wyjście z lampą ostrzegawczą [*]	jedna lampa ostrzegawcza LUCYB (żarówka 12 V, 21W)			
Wyjście zamka elektrycznego[*]	jeden zamek elektryczny 12 Vpp max 15VA			
Wyjście kontrolki bramy otwartej [*]	jedna żarówka 24 V maksymalnie 4 W (napięcie wyjściowe może zmieniać się od -30 do +50%, wyjście może sterować również małymi przekaźnikami)			
Wejście BLUEBUS	wyjście z maksymalnym obciążeniem 15 urządzeń Bluebus, (maksymalnie 6 par fotokomórek MOFB lub MOFOB + 2 pary fotokomórek MOFB lub MOFOB, adresowanych jako urządzenia otwierające + maksymalnie 4 urządzenia sterujące MOMB lub MOTB)			
Wejście STOP	przeznaczone dla styków normalnie zamkniętych, normalnie otwartych lub o stałej oporności 8,2 kΩ; wybór typu styku następuje w trybie automatycznego rozpoznawania, zmiana w stosunku do stanu wczytanego powoduje wysłanie polecenia "STOP"			
Wejście P.P.	przeznaczone dla styków zwykle otwartych (zamknięcie styku powoduje wydanie polecenia Krok po Kroku)			
Złącze radiowe	złącze typu SM przeznaczone dla odbiorników z rodziny SMXI, OXI i OXIFM			
Wejście ANTENY Radiowej	50 Ω dla kabla typu RG58 lub podobnych			
Funkcje programowalne	8 funkcji typu ON-OFF (Tabela 3) i 8 funkcji regulowanych (Tabela 5))			
Funkcje rozpoznawane automatycznie	<ul style="list-style-type: none"> • Automatyczne rozpoznawanie urządzeń podłączonych do wyjścia BlueBus. • Automatyczne rozpoznawanie typu urządzenia podłączonego do zacisku "STOP" (styk NO, NC lub o stałej oporności 8,2 kΩ). • Automatyczne rozpoznawanie drogi skrzydeł bramy oraz automatyczne obliczanie punktów zwalniania i otwierania częściowego. • Automatyczne rozpoznawanie działania z jednym lub dwoma silnikami. 			
Montaż	W pozycji pionowej, z zastosowaniem odpowiedniej płytki mocującej			
Temperatura funkcjonowania	od -20°C do +50°C (w niskich temperaturach skuteczność motoreduktora zmniejsza się)			
Użytkowanie w atmosferze szczególnie kwaśnej, słonej lub potencjalnie wybuchowej	NIE			
Stopień zabezpieczenia	IP 54 (z nienaruszoną obudową)			
Wymiary (mm)	210 x 290 x 320 wys.			
Waga (kg)	10.5		9.5	
<p>[*] - Wyjścia Lampa ostrzegawcza, Zamek elektryczny i Kontrolka Bramy Otwartej mogą być programowane na inne funkcje (patrz "TABELA 3 - Funkcje 1-go poziomu"; lub z zastosowaniem programatora Oview, przeczytaj rozdział 8.3). Parametry elektryczne wyjść dostosowują się w zależności od rodzaju wybranej funkcji: • funkcja lampa ostrzegawcza: żarówka 12 Vps, 21 W max; • funkcja zamka elektrycznego: 12 Vpp 15 VA max; • inne wyjścia (wszystkie rodzaje): 1 żarówka lub przekaźnik 24Vps (-30 i +50%), 4 W max.</p>				

DEKLARACJA ZGODNOŚCI CE i deklaracja włączenia "maszyny nieukończonyj"

Deklaracja zgodna z następującymi Dyrektywami: 2006/95/WE (LVD); 2004/108/WE (EMC); 2006/42/WE (MD) załącznik II, część B

Uwaga - Zawartość niniejszej deklaracji odpowiada oświadczeniom znajdującym się w dokumencie urzędowym, złożonym w siedzibie firmy Nice S.p.a., a w szczególności w ostatniej korekcie dostępnej przed wydrukowaniem tej instrukcji. Tekst w niej zawarty został dostosowany w celach wydawniczych. Kopia oryginalnej deklaracji może być zamawiana w firmie Nice S.p.a. (TV) I.

Numer deklaracji: 334/HYKE

Wydanie: 4

Język: PL

Nazwa producenta: NICE s.p.a.
Adres: Via Pezza Alta 13, Z.I. Rustigné, 31046 Oderzo (TV), Włochy
Osoba autoryzowana do przygotowania dokumentacji technicznej: NICE s.p.a.
Typ urządzenia: Siłownik elektromechaniczny „HYKE” z wbudowaną centralą
Model / Typ: HK7024, HK7224, HK7024HS, HK7224HS
Akcesoria: SMXI, OXI, PS124, Oview

Niżej podpisany Mauro Sordini, w charakterze Chief Executive Officer oświadcza na własną odpowiedzialność, że urządzenie wyżej wymienione jest zgodne z rozporządzeniami ustalonymi w następujących dyrektywach:

- DYREKTYWA 2004/108/WE PARLAMENTU EUROPEJSKIEGO I RADY z dnia 15 grudnia 2004, dotycząca zbliżenia legislacyjnego krajów członkowskich w odniesieniu do kompatybilności elektromagnetycznej, która uchyla dyrektywę , 89/336/EWG zgodnie z następującymi normami zharmonizowanymi: EN 61000-6-2:2005, EN 61000-6-3:2007+A1:2011

Ponadto urządzenie jest zgodne z następującą dyrektywą, zgodnie z wymogami przewidzianymi dla "maszyn nieukończonych":

- Dyrektywa 2006/42/WE PARLAMENTU EUROPEJSKIEGO I RADY z dnia maja 2006 roku, dotycząca maszyn, która modyfikuje dyrektywę 95/16/WE (przekształcenie), zgodnie z następującymi normami zharmonizowanymi: EN 13849-1:2008, EN 13849-2:2008.
 - Oświadcza się, że omawiana wyżej dokumentacja techniczna została przygotowana zgodnie z załącznikiem VII B dyrektywy 2006/42/WE oraz że jest ona zgodna z następującymi wymogami podstawowymi: 1.1- 1.1.2- 1.1.3- 1.2.1-1.2.6- 1.5.1-1.5.2- 1.5.5- 1.5.6- 1.5.7- 1.5.8- 1.5.10- 1.5.11
 - Producent zobowiązuje się do przekazania władzom krajowym, w odpowiedzi na umotywowane żądanie, informacji dotyczących "maszyny nieukończonyj", zachowując nienaruszone prawa własności intelektualnej.
 - W przypadku, kiedy "maszyna nieukończonyj" została wprowadzona do użytku w kraju europejskim, w którym język obowiązujący jest inny od języka używanego w tej deklaracji, obowiązkiem importera jest załączenie tłumaczenia do niniejszej deklaracji.
 - Ostrzega się, że "maszyna nieukończonyj" nie może zostać wprowadzona do użytku, dopóki nie zostanie wcześniej zadeklarowana zgodność maszyni końcowej, do której zostanie włączona, z zaleceniami dyrektywy 2006/42/WE (o ile dotyczy).

Ponadto urządzenie jest zgodne z następującymi normami:

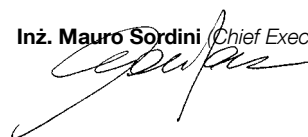
EN 60335-1:2002 + A1:2004 + A11:2004 + A12:2006 + A2:2006 + A13:2008 + A14:2010 + A15:2011
EN 60335-2-103:2003+A11:2009

Produkt jest zgodny z następującymi normami (w zakresie mających zastosowanie części):

EN 13241-1:2003+A1:2011, EN 12445:2002, EN 12453:2002, EN 12978:2003+A1:2009

Oderzo, 5 listopada 2014

Inż. Mauro Sordini (Chief Executive Officer)



Inhoudsopgave

Afbeeldingen

1 - ALGEMENE AANBEVELINGEN EN VOORZORGSMATREGELEN...	1
1.1 - Aanbevelingen voor de veiligheid.....	1
1.2 - Aanbevelingen voor de installatie.....	1
1.3 - Aanbevelingen voor het gebruik.....	1
2 - BESCHRIJVING VAN HET PRODUCT EN GEBRUIKSBESTEMMING...	1
3 - INSTALLATIE.....	2
3.1 - Controles voorafgaand aan de installatie.....	2
3.2 - Gebruikslimieten.....	2
3.3 - Werkzaamheden ter voorbereiding van de installatie.....	2
3.4 - Installatie van de reductiemotor mod. HK7024 - HK7224 - HK7024HS - HK7224HS.....	2
3.5 - Instelling van de mechanische eindaanslagen.....	4
3.6 - Handmatig ontgrendelen en vergrendelen van de reductiemotor.....	4
4 - ELEKTRISCHE AANSLUITINGEN.....	4
4.1 - Elektrische aansluitingen tussen de reductiemotor en de besturingseenheid mod. HK7024 - HK7024HS.....	4
4.2 - Aansluiting van de reductiemotor zonder besturingseenheid mod. HK7224 - HK7224HS.....	5
4.3 - Aansluiting van andere inrichtingen.....	5
4.4 - Adressering van de aangesloten inrichtingen.....	5
4.5 - Eerste inschakeling en controle van de aansluitingen.....	5
4.6 - Zelflering van de aangesloten inrichtingen.....	5
4.7 - Zelflering van de posities van de mechanische eindaanslagen.....	5
4.8 - Controle van de beweging van de vleugels van de poort.....	6
5 - EINDTEST EN INBEDRIJFSTELLING.....	6
5.1 - Eindtest.....	6
5.2 - Inbedrijfstelling.....	7
6 - PROGRAMMERING VAN DE BESTURINGSEENHEID.....	7
6.1 - Programmering eerste niveau (ON-OFF).....	7
6.2 - Programmering tweede niveau (instelbare parameters).....	8
6.3 - Speciale functies.....	9
6.4 - Wissen van het geheugen.....	9
7 - WAT TE DOEN ALS...(handleiding voor het oplossen van problemen)....	9
8 - VERDERE DETAILS.....	11
8.1 - Aansluiting van een radio-ontvanger.....	11
8.2 - Aansluiting en installatie van de bufferbatterij mod. PS124.....	11
8.3 - Aansluiting van de Oview programmeerseenheid.....	11
8.4 - Aansluiting van het zonne-energiesysteem Solemyo.....	11
8.5 - Aansluiting voor het systeem voor externe ontgrendeling Kio.....	11
9 - ONDERHOUD VAN HET PRODUCT.....	12
AFDANKEN VAN HET PRODUCT.....	12
Duur van het product.....	12
TECHNISCHE GEGEVENS VAN HET PRODUCT.....	13
EG-VERKLARING VAN OVEREENSTEMMING.....	14
BIJLAGE.....	I
Instructies en aanbevelingen voor de gebruiker.....	VIII

1.1 - Veiligheidswaarschuwingen

- **LET OP! – Deze handleiding bevat belangrijke instructies en waarschuwingen voor de veiligheid.** Een verkeerde installatie kan ernstig letsel veroorzaken. Voordat u met het werk begint, moet de handleiding aandachtig helemaal worden doorgelezen. In geval van twijfel stopt u met installeren en vraagt u de servicedienst van Nice om uitleg.
- **LET OP! – Belangrijke aanwijzing: bewaar deze instructies voor eventuele onderhoudswerkzaamheden en om het product af te danken.**
- **LET OP! – Volgens de meest recente Europese wetgeving moet een automatische deur of hek de voorschriften van de richtlijn 2006/42/EG (ex 98/37/EG) (Machinerichtlijn) in acht nemen en in het bijzonder de voorschriften EN 12445; EN 12453; EN 12635 en EN 13241-1, waarmee de conformiteit van de automatisering kan worden verklaard. Met het oog hierop mogen alle werkzaamheden betreffende de installatie, de aansluiting, het testen en het onderhoud van het product uitsluitend door een erkende vakman worden verricht!**

1.2 - Waarschuwingen voor de installatie

- Voordat u met de installatie begint, controleert u of het aanwezige product geschikt is voor het gewenste gebruik (zie "Gebruiksbeperkingen" paragraaf 3.2 en de "Technische kenmerken van het product"). Ga NIET over tot de installatie, als het niet geschikt is.
- De inhoud van deze handleiding heeft betrekking op een typische installatie zoals beschreven in **afb. 3**.
- **Alle installatie- en onderhoudswerkzaamheden moeten worden verricht bij van het elektriciteitsnet gekoppelde automatisering.** Als de ontkoppelinrichting van de voeding niet zichtbaar is vanaf de plaats waar het automatische systeem is geplaatst, moet er voordat met het werk begonnen wordt een bord op de ontkoppelinrichting worden bevestigd met het opschrift "LET OP! ONDERHOUD IN UITVOERING".
- De besturingseenheid moet op een elektrische voedingslijn voorzien van aarding worden aangesloten.
- Behandel het product tijdens de installatie met zorg en voorkom dat het wordt geplet, er tegen wordt gestoten, dat het valt, of in aanraking komt met welke vloeistoffen dan ook. Zet het product niet in de buurt van warmtebronnen en stel het niet bloot aan open vuur. Hierdoor kan het beschadigd worden, waardoor storingen of gevaarlijke situaties kunnen ontstaan. Als dit mocht gebeuren, stopt u de installatie onmiddellijk en wendt u zich tot de Servicedienst van Nice.
- Wijzig geen enkel deel van het product. Niet toegestane werkzaamheden kunnen alleen storingen veroorzaken. De fabrikant wijst elke vorm van aansprakelijkheid af voor schade veroorzaakt door willekeurige wijzigingen aan het product.
- Als het hek of de poort, die moet worden geautomatiseerd, van een voetgangersdeur is voorzien, moet de installatie een controlesysteem krijgen, dat de werking van de motor blokkeert als de voetgangersdeur open is.
- Het verpakkingsmateriaal van het product moet met inachtneming van de plaatselijke voorschriften worden weggegooid.

1.3 - Waarschuwingen voor het gebruik

- Het is niet de bedoeling dat dit product wordt gebruikt door personen (kinderen hierbij inbegrepen) met verminderde lichamelijke, sensorische of geestelijke vermogens, of zonder voldoende ervaring en kennis, tenzij het onder toezicht van een voor hun veiligheid verantwoordelijke persoon wordt gebruikt, of hen door hem goede instructies zijn gegeven over het gebruik van het product.
- Er moet toezicht worden gehouden op kinderen, die zich in de buurt van de automatisering bevinden. Controleer of ze er niet mee spelen.
- Laat kinderen niet met vaste bedieningsinrichtingen spelen. Houd draagbare bedieningen (afstandsbedieningen) buiten het bereik van kinderen.

2 BESCHRIJVING VAN HET PRODUCT EN GEBRUIKSBESTEMMING

De inrichtingen waar dit product uit bestaat, zijn bestemd voor de automatisering van een hek of een poort met één of twee deuren. **LET OP! - Ieder ander gebruik dan wat beschreven wordt en onder andere omgevingsomstandigheden dan die in deze handleiding staan, moeten als verkeerd en verboden worden beschouwd!**

Het hoofdonderdeel van de automatisering bestaat uit één of twee elektromechanische reductiemotoren (afhankelijk van het aantal deuren dat moet worden geautomatiseerd), elk voorzien van een gelijkstroommotor en een epicycloïdale reductor. Eén van de reductiemotoren (mod. HK7024 - HK7024HS) is voorzien van een besturingseenheid, die de werking ervan bestuurt. De besturingseenheid bestaat uit een printplaat met radio-ontvanger om de opdrachten te ontvangen, die door de zender zijn verzonden. De besturingseenheid is ervoor gemaakt om op verschillende inrichtingen te worden aangesloten, die deel uitmaken van het Opera Systeem, het Bluebus systeem en het Solemyo voedingssysteem met zonne-energie, zie hoofdstuk 8 - Verdere details.

Als ze door het elektriciteitsnet wordt gevoed, kan ze een bufferbatterij (mod. PS124, optioneel accessoire) bevatten, die bij stroomuitval (elektrische black-out) garandeert dat het automatische systeem in de erop volgende uren enkele handelingen kan verrichten.

Als de stroom uitvalt, kunnen de hekdeuren worden bewogen door de reductiemotor met de hiervoor bestemde sleutel te deblokken. Om de handmatige manoeuvre te verrichten, raadpleegt u hoofdstuk 3.6.

Andere beschikbare accessoires zijn de ontvangers voorzien van koppeling "SM" (SMXI, OXI, enz.), zie hoofdstuk 8 - Verdere details.

3.1 - Aan de installatie voorafgaande werkzaamheden

Voordat op de installatie wordt overgegaan, moet worden gecontroleerd of de onderdelen van het product heel zijn en of het gekozen model en installatiegebied geschikt zijn:

- Controleer of alle materiaal dat gebruikt moet worden zich in zeer goede staat bevindt en geschikt is voor het voorziene gebruik.
- Controleer of de mechanische aanslagen op de grond (niet bijgeleverd), zowel bij het sluiten als bij het openen in de installatie aanwezig zijn.
- Controleer of het frame van het hek geschikt is om te worden geautomatiseerd en voldoet aan de in het gebied geldende voorschriften (raadpleeg eventueel de gegevens op het etiket van het hek). Dit product kan geen hek automatiseren dat niet al efficiënt en veilig is. Bovendien kan het geen storingen opheffen, veroorzaakt door een verkeerde installatie van het hek of door slecht onderhoud ervan.
- Controleer of de werkomstandigheden van de inrichtingen compatibel zijn met de verklaarde gebruiksbepalingen (zie paragraaf 3.2).
- Beweeg de hekdeuren handmatig in de twee richtingen en verzeker u ervan dat de beweging op elk punt van de slag met constante wrijving plaatsvindt (er mogen geen punten zijn waarvoor meer of minder kracht nodig is).
- Zet de hekdeuren handmatig op een willekeurige stand. Laat ze los en verzeker u ervan dat ze zich niet verplaatsen.
- Controleer of het bevestigingsgebied van de reductiemotor compatibel is met de afmetingen van deze laatste (**fig. 1**).
- Verzeker u ervan dat er in het gebied waarin de reductiemotor moet worden geïnstalleerd voldoende ruimte is om de arm ervan helemaal te kunnen draaien.
- Verzeker u ervan dat er in de buurt van de reductiemotor voldoende ruimte is om de reductiemotor handmatig te deblokkeren.
- Verzeker u ervan dat de oppervlakken die gekozen zijn om de verschillende inrichtingen te installeren stevig zijn en een stevige bevestiging kunnen garanderen.
- Verzeker u ervan dat elke inrichting die moet worden geïnstalleerd zich op een beschermde plek bevindt, beschermd tegen per ongeluk stoten.
- Controleer of alle elektrische kabels, die gebruikt moeten worden van het type zijn, dat in **tabel 1** staat.

3.2 - Gebruikslimieten

Alvorens de reductiemotor te gaan installeren, controleren of de gegevens van de reductiemotor overeenstemmen met de hierna beschreven gebruikslimieten en de limietwaarden die zijn vermeld in het hoofdstuk "Technische kenmerken van het product":

Met de arm van de motor van HELE lengte:

- **maximumbreedte van de vleugel:** 3,50 m (= **maximumgewicht van de vleugel:** 200 kg)

Met de arm van de motor van GEREDUCEERDE lengte:

- **maximumbreedte van de vleugel:** 3,00 m (= **maximumgewicht van de vleugel:** 180 kg)

VERSIE HS:

Met de arm van de motor van HELE en GEREDUCEERDE lengte:

- **maximumbreedte van de vleugel:** 3,00 m (= **maximumgewicht van de vleugel:** 180 kg)

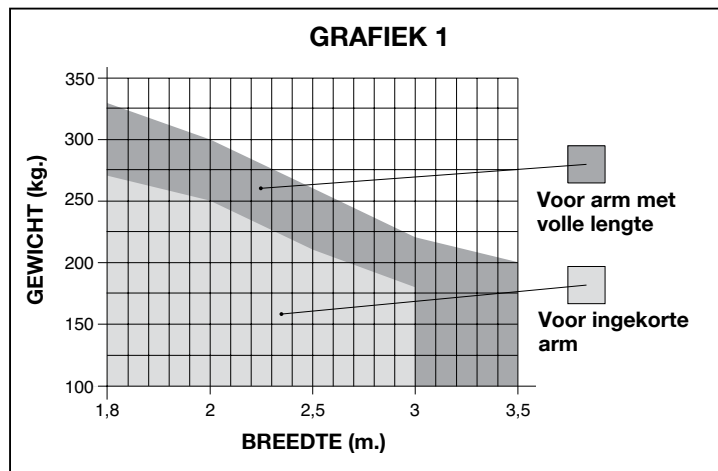
- Controle die gedaan moet worden: zet in **Grafiek 1** (hiernaast) het gewicht en de breedte van de vleugel uit; trek vanuit deze twee punten twee lijnen en ga na of deze elkaar kruisen in één van de twee **grijze gebieden** van de grafiek. **Let op!** - Als de lijnen elkaar in het witte gebied kruisen, is het niet mogelijk dit product te gebruiken om de poort te automatiseren.

- Om installatie van de reductiemotor toe te laten, moet de minimumbreedte van de kolom 210 mm bedragen.
- De bevestigingsbeugel van de arm moet zich in een robuust gedeelte van de vleugel bevinden (bijvoorbeeld het frame), om een stevige en veilige bevestiging

te garanderen;

- Controleer de **afstandswaarde "E"** (**afb. 2**):

- Indien de **afstandswaarde "E"** tussen 300 mm (minimum) en 650 mm (maximum) ligt, dient de arm van de reductiemotor te worden ingesteld met GEREDUCEERDE lengte. In dergelijke condities zal de maximale openingshoek van de vleugel 90° bedragen.
- Als de **afstandswaarde "E"** gelijk aan of groter dan 650 mm is, dient de arm van de reductiemotor te worden ingesteld met HELE lengte. In dergelijke condities zal de maximale openingshoek van de vleugel 110° bedragen.



3.3 - Werkzaamheden ter voorbereiding van de installatie

Op **afb. 3** ziet u een voorbeeld van een automatiseringsinstallatie die gerealistiseerd is met componenten van Nice (sommige componenten zijn mogelijk niet aanwezig in de set):

- a** - Reductiemotor met besturingseenheid mod. HK7024 - HK7024HS
- b** - Reductiemotor zonder besturingseenheid mod. HK7224 - HK7224HS
- c** - Knipperlicht
- d** - Stel fotocellen mod. MOFB
- e** - Digitaal toetsenbord (mod. MOTB) - Transponder-lezer (mod. MOMB) - Sleutelschakelaar (mod. MOSE)
- f** - Stel zuilen voor fotocellen
- g** - Mechanische stop sluitbeweging
- h** - Elektrisch slot

Deze onderdelen zijn geplaatst volgens een gebruikelijk standaardschema. Zie **afb. 3** om bij benadering de plaats van installatie van elk onderdeel van het systeem te bepalen. **Belangrijk** - Prepareer, voordat u het product gaat installeren, de elektriciteitskabels die nodig zijn voor de installatie, zie **afb. 4** en "**Tabel 1 - Technische gegevens van de elektriciteitskabels**".

Let op - Gedurende het plaatsen van de buizen voor het doorvoeren van de elektriciteitskabels, dient u er rekening mee te houden dat als gevolg van water dat zich verzamelt in de putjes, in de verbindingssleidingen condens kan ontstaan die in het binnenste van de besturingseenheid terecht kan komen en daar schade aan de elektronische circuits kan veroorzaken.

3.4 - Installatie van de reductiemotor mod. HK7024 - HK7224 - HK7024HS - HK7224HS

AANBEVELINGEN

- Een onjuiste installatie kan ernstig letsel toebrengen aan de personen die het werk verrichten en aan de personen die de installatie zullen gebruiken.
- Alvorens met de montage van de automatisering te beginnen, dient u de controles voorafgaand aan de installatie, beschreven in paragraaf 3.1 en 3.2, uit te voeren.

Voordat u met de installatie begint, dient u de lengte van de arm van de reductiemotor te bepalen, zie paragraaf 3.4.1.

TABEL 1 - Technische gegevens van de elektriciteitskabels (afb. 4)

Aansluiting	Type kabel	Maximaal toegestane lengte
A: Kabel voor STROOMTOEVOER BESTURINGS-EENHEID	1 kabel 3 x 1,5 mm ²	30 m (opmerking 1)
B: Kabel ELEKTRISCH SLOT	1 kabel 2 x 1 mm ²	6 m
C: Kabel BLUEBUS INRICHTINGEN	1 kabel 2 x 0,5 mm ²	20 m (opmerking 2)
D: Kabel SLEUTELSCHAKELAAR	2 cavi 2 x 0,5 mm ² (opmerking 3)	50 m
E: Kabel voor STROOMTOEVOER REDUCTIEMOTOR Kabel voor AANSLUITING ENCODER	1 kabel 3 x 1,5 mm ² (opmerking 4) 1 kabel 2 x 1 mm ² (opmerking 4)	10 m 10 m
F: Kabel KNIPPERLICHT met antenne	1 kabel 2 x 0,5 mm ² 1 afgeschermde kabel type RG58	20 m 20 m (aanbevolen: minder dan 5 m)

Opmerking 1 - Als de voedingskabel langer dan 30 m is, dient een kabel met grotere doorsnede te worden gebruikt (3 x 2,5 mm²) en is het noodzakelijk in de nabijheid van de automatisering een veiligheidsaarding aan te brengen.

Opmerking 2 - Als de Bluebus kabel langer dan 20 m is, tot een lengte van maximaal 40 m, dient een kabel met een grotere doorsnede te worden gebruikt (2 x 1 mm²).

Opmerking 3 - Deze 2 kabels kunnen vervangen worden door 1 enkele kabel van 4 x 0,5 mm².

Opmerking 4 - Deze kabels kunnen vervangen worden door 1 enkele kabel van 5 x 1,5 mm².

LET OP! - De gebruikte kabels moeten geschikt zijn voor het type omgeving waar de automatisering geïnstalleerd wordt.

3.4.1 - Bepalen van de lengte van de arm van de reductiemotor

01. Assembleer de componenten waaruit de arm van de motor bestaat, zoals aangegeven op **afb. 5**;
02. **Bepaal de positie van de reductiemotor in VERTICALE richting:** trek op de kolom een horizontale lijn op dezelfde hoogte als waarop na de installatie de bevestigingsbeugel van de arm op de vleugel zal worden aangebracht (**afb. 6**).
03. **Bepaal de positie van de reductiemotor in HORIZONTALE richting (afstandswaarde A):**
LET OP! – Indien er zich in de nabijheid van het installatiegebied een vast obstakel bevindt (muur, boom etc.), dient u de afstandswaarde E te nemen (afb. 2) en als volgt te werk te gaan:
 - Indien de afstandswaarde E gelijk aan of groter dan 650 mm is, zie paragraaf 3.4.2
 - Als de afstandswaarde E tussen de 300 mm (minimum) en 650 mm (maximum) ligt, zie paragraaf 3.4.3

3.4.2 - Installatie van de reductiemotor met ARM VAN GEHELE LENGTE

01. a) Meet op de kolom de **afstandswaarde B** (**afb. 7**) = afstand tussen het draaipunt van de vleugel en het oppervlak van de kolom waar de achterste beugel van de reductiemotor zal worden bevestigd.
b) Zet de vleugel op het gewenste openingpunt (maximaal 110°): hoekwaarde.
c) Teken in de **Grafiek 2** de gevonden **afstandswaarde B** af en trek vanuit dit punt een horizontale lijn, tot op het punt dat deze **het gebied** snijdt dat de waarde van de bij punt **b** gemeten hoek bevat.
d) In de snijpunten tussen de **horizontale lijn en het gebied** trekt u verticale lijnen om de waarden te bepalen die gebruikt kunnen worden voor de **afstandswaarde A** (**afb. 8**). **Kies in dit bereik (range) vervolgens een waarde voor A.**
e) Teken de gevonden **afstandswaarde A** af op de kolom en trek ter hoogte hiervan een verticale lijn.
02. **Bevestig de beugel op de kolom (afb. 9):**
f) **fase 1-2:** Plaats de beugel op de kolom en laat de verticale middenlijn hiervan samenvallen met de verticale lijn die u eerder heeft getrokken (afstandswaarde A), en de arm met de horizontale lijn die u getrokken heeft gedurende de procedure 3.4.1. Controleer in deze fase of de reductiemotor perfect waterpas is: een reductiemotor die niet recht staat kan tot storingen in de werking van de automatisering leiden.
g) **fase 3-4:** teken de bevestigingspunten af, boor gaten in de kolom en monteer de pluggen; bevestig op dit punt de beugel met behulp van geschikte schroeven en onderlegschijven.
03. **Bevestig de arm van de reductiemotor op de vleugel:**
h) Zet de vleugel van de poort in de maximale sluitstand;
i) **fase 5:** bevestig de reductiemotor met behulp van de twee bijgeleverde schroeven en moeren aan de beugel;
l) Ontgrendel de reductiemotor, zie hoofdstuk 3.6;
m) **fase 6:** druk de arm van de reductiemotor met kracht **tot aan het punt waarop de arm maximaal is uitgeschoven. Let op! - Controleer of de arm op zijn eindaanslag blokkeert;**
n) Breng de arm naar de vleugel toe en laat de bevestigingsbeugel op de vleugel rusten.
o) **fase 7:** verzeker u ervan dat de arm van de reductiemotor waterpas is en teken met een potlood **het midden van het profiel van de sleuven** van de beugel af, om een latere fijnafstelling van de sluiting van de vleugel toe te laten (zie paragraaf 4.8).
p) Houd met één hand de beugel in contact met de poort en probeer een complete openings- en sluitmanoeuvre uit te voeren.
q) **fase 8:** boor op de afgetekende punten gaten in de vleugel en maak de beugel los van de arm en bevestig hem met behulp van geschikte schroeven aan de vleugel van de poort.

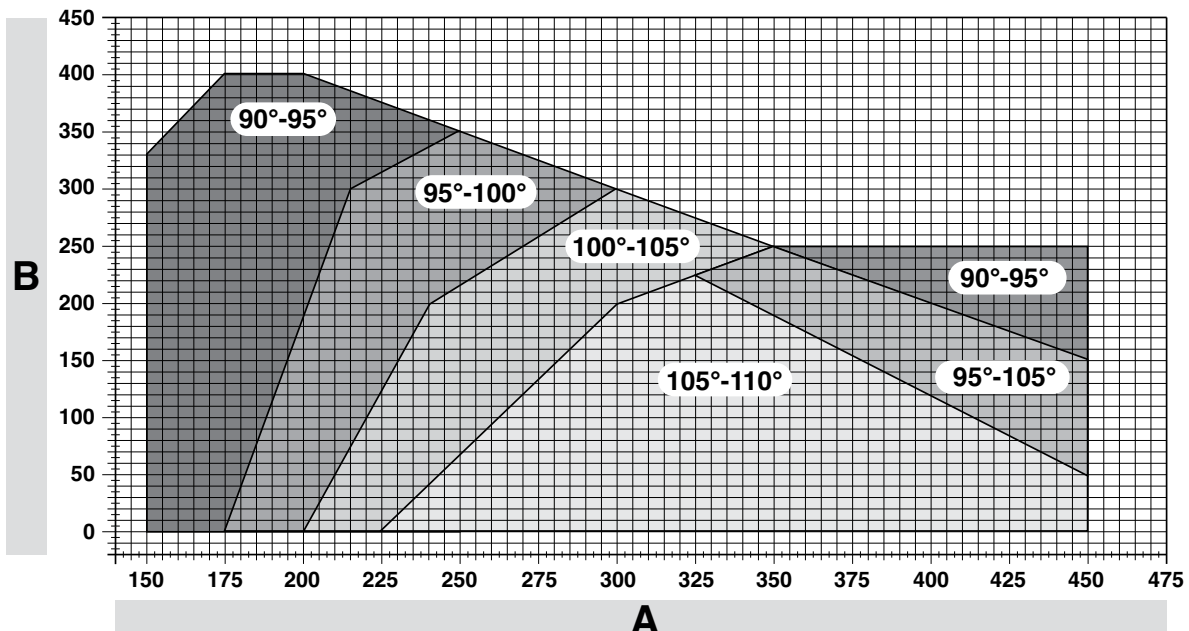
- r) **fase 9:** bevestig de arm aan de beugel door de pen en de stop-benzing te installeren. **Belangrijk** - Controleer of de beugel en de arm perfect waterpas zijn. Draai eventueel de schroeven van de beugel los en zet hem waterpas.
s) Plaats de mechanische eindstops, zie hoofdstuk 3.5;
 - t) **fase 10:** zet de vleugel tot slot met de hand op ongeveer de helft van het bewegingstraject en vergrendel de reductiemotor met de hiervoor bestemde sleutel (zie hoofdstuk 3.6). Verplaats de poort vervolgens met de hand enkele centimeters, in de richting van de openingsbeweging.
04. Als de te installeren poort twee vleugels heeft, dient u, om de andere reductiemotor te installeren, alle in dit hoofdstuk 3.4 beschreven handelingen te herhalen.

3.4.3 - Installatie van de reductiemotor met ARM VAN GEREDUCEERDE LENGTE

Let op! – Met deze configuratie bedraagt de maximaal toegestane openingshoek van de vleugel 90°.

01. a) Meet op de kolom de **afstandswaarde B** (**afb. 7**) = afstand tussen het draaipunt van de vleugel en het oppervlak van de kolom waar de achterste beugel van de reductiemotor zal worden bevestigd.
b) Teken in de **Grafiek 2** de gevonden **afstandswaarde B** en trek vanuit dit punt een horizontale lijn, totdat deze **het gebied** met range 90° - 95° snijdt.
c) In de snijpunten tussen de **horizontale lijn en het gebied** trekt u verticale lijnen om de waarden te bepalen die gebruikt kunnen worden voor de **afstandswaarde A** (**grafiek 2**). **Kies in dit bereik (range) vervolgens een waarde voor A.**
d) Teken de gevonden **afstandswaarde A** af op de kolom en trek ter hoogte hiervan een verticale lijn.
02. **Bevestig de beugel op de kolom (afb. 10):**
e) **fase 1-2:** Plaats de beugel op de kolom en laat de verticale middenlijn hiervan samenvallen met de verticale lijn die u eerder heeft getrokken (afstandswaarde A), en de arm met de horizontale lijn die u getrokken heeft gedurende de procedure 3.4.1. Controleer in deze fase of de reductiemotor perfect waterpas is: een reductiemotor die niet recht staat kan tot storingen in de werking van de automatisering leiden.
f) **fase 3-4:** teken de bevestigingspunten af, boor gaten in de kolom en monteer de pluggen; bevestig op dit punt de beugel met behulp van geschikte schroeven en onderlegschijven.
g) Zet de vleugel van de poort in de maximale sluitstand;
h) **fase 5:** bevestig de reductiemotor met behulp van de twee bijgeleverde schroeven en moeren aan de beugel;
i) Ontgrendel de reductiemotor, zie hoofdstuk 3.6;
03. **Controleer de lengte van de arm met sleuven in de context:**
l) **fase 6:** breng de arm naar de vleugel toe en laat de bevestigingsbeugel op de vleugel rusten: **let op! - duw met uw handen de gebogen arm tegen de vleugel, totdat de arm blokkeert (maximale opening).**
m) **fase 7:** verzeker u ervan dat de arm van de reductiemotor waterpas is en teken met een potlood **het midden van het profiel van de sleuven** van de beugel af, om een latere fijnafstelling van de sluiting van de vleugel toe te laten (zie paragraaf 4.8).
n) Bevestig de beugel provisorisch op de vleugel en zet de vleugel in de stand voor maximale opening.
04. **Bevestig de arm van de reductiemotor op de vleugel:**
o) **fase 8:** Boor gaten in de vleugel op de eerder afgetekende punten.
p) **fase 9-10:** Maak de beugel los van de arm en bevestig hem met geschikte schroeven aan de vleugel van de poort.
q) **fase 11:** bevestig de arm aan de beugel door de pen en de stop-benzing te installeren. **Belangrijk** - Controleer of de beugel en de arm perfect waterpas zijn. Draai eventueel de schroeven van de beugel los en zet hem waterpas.
r) Plaats de mechanische eindstops, zie hoofdstuk 3.5.
s) **fase 12:** zet de vleugel tot slot met de hand op ongeveer de helft van het bewegingstraject en vergrendel de reductiemotor met de hiervoor

GRAFIEK 2



bestemde sleutel (zie hoofdstuk 3.6) Verplaats de poort vervolgens met de hand enkele centimeters, in de richting van de openingsbeweging.

05. Als de te installeren poort twee vleugels heeft, dient u, om de andere reductiemotor te installeren, alle in dit hoofdstuk 3.4 beschreven handelingen te herhalen.

3.5 - Instelling van de mechanische eindaanslagen

01. Zet de vleugels van de poort met de hand in de maximale openingsstand;
 02. Draai aan de plastic schijf op de onderkant van de reductiemotor en breng de sleuf onder de arm in de positie die te zien is op **afb. 11-1**;
 03. Zet de eindaanslag in de eerst mogelijke stand: probeer hem te plaatsen zoals op **afb. 11-2** getoond is (openingsrichting);
 04. Draai de schijf zodanig dat de eindaanslag niet valt en breng de sleuf in de positie die te zien is op **afb. 11-3**; voor een meer nauwkeurige afstelling, draait u aan de stelschroef (**afb. 11-4**);
 05. Als de installatie niet is uitgerust met een sluitstop op de grond, is het noodzakelijk te procedure te herhalen vanaf punt 01 om ook de eindaanslagen van de sluitmanoeuvre af te stellen;
 06. Tot slot schroeft u de bevestigingsmoer van de schijf (**afb. 11-5**) volledig vast om te verzekeren dat de schijf niet per ongeluk kan draaien.

3.6 - Handmatig ontgrendelen en vergrendelen van de reductiemotor

De reductiemotor is uitgerust met een mechanisch ontgrendelingsstelsel dat het mogelijk maakt de poort handmatig te openen en te sluiten.

Deze handmatige handelingen moeten worden uitgevoerd in het geval dat de stroom uitvalt, bij storingen in de werking of gedurende de installatie.

Ontgrendelen (afb. 12-A):

01. Steek de sleutel in het slot;
 02. Draai de sleutel met de klok mee (90°);
 03. Door de werking van een veer, komt de hendel naar buiten: draai de hendel 90° tegen de klok in;
 04. Op dit punt is het mogelijk de vleugel met de hand in de gewenste positie te zetten.

Vergrendelen (afb. 12-B):

01. Draai de hendel 90° door de poot in verticale stand te zetten;
 02. Duw tegen de hendel tot hij in zijn behuizing zit;
 03. Draai de sleutel 90° met de klok mee en trek hem eruit.

	– parallelle aansluiting van 2 inrichtingen met uitgang met constante weerstand 8,2 kΩ. Als er meer dan 2 inrichtingen zijn, dienen deze in cascade te worden aangesloten, met slechts 1 afsluitweerstand van 8,2 kΩ; – sluit 2 inrichtingen NO en NC parallel aan, en sluit een weerstand van 8,2 kΩ in serie aan met het contact NC (dit maakt ook de combinatie tussen 3 inrichtingen NO - NC en 8,2 kΩ mogelijk)
P.P.	ingang voor bedieningsinrichtingen die bij activering de manoeuvre in modus Stap-voor-stap aansturen; mogelijkheid tot aansluiting van contacten van het type NO
OPEN	ingang voor bedieningsinrichtingen die bij activering alleen de openingsmanoeuvre aansturen; mogelijkheid tot aansluiting van contacten van het type NO
CLOSE	ingang voor bedieningsinrichtingen die bij activering alleen de sluitmanoeuvre aansturen; mogelijkheid tot aansluiting van contacten van het type NO
ENC1	ingang encoder - reductiemotor 1 (klem 1, 2); er hoeft geen bepaalde polariteit te worden aangehouden
ENC2	ingang encoder - reductiemotor 2 (klem 4, 5); er hoeft geen bepaalde polariteit te worden aangehouden
M1	uitgang voor reductiemotor 1 (klem 7, 8, 9)
M2	uitgang voor reductiemotor 2 (klem 10, 11, 12).

[*] De uitgangen FLASH, ELS en S.C.A. kunnen met andere functies geprogrammeerd worden (zie "TABEL 3 - Functies 1° niveau; of via Oview programmeeromgeving, zie paragraaf 8.3).

4.1 - Elektrische aansluitingen tussen de reductiemotor en de besturingseenheid mod. HK

Let op! – Breng de elektrische aansluitingen pas tot stand nadat u de reductiemotor hebt geïnstalleerd.

AANBEVELINGEN!

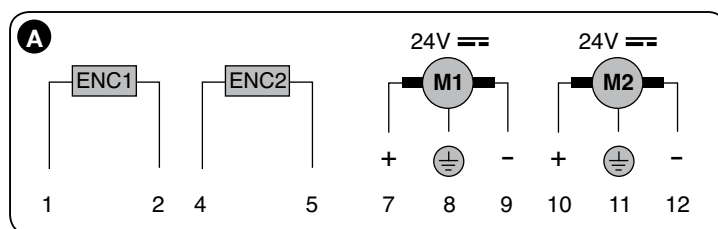
– De aansluitwerkzaamheden mogen uitsluitend door gekwalificeerd personeel worden uitgevoerd.

– Bij het uitvoeren van elektrische aansluitingen mag de installatie absoluut niet op de netspanning zijn aangesloten en moet de batterij van de automatisering, indien aanwezig, zijn afgekoppeld.

– Op de elektrische voedingsleiding dient een inrichting te worden aangebracht dat volledige afkoppeling van de automatisering van het elektriciteitsnet verzekert. Deze afkoppelinrichting moet een dusdanige openingsafstand tussen de contacten hebben dat complete afkoppeling wordt verzekerd in de condities die worden voorgeschreven door de overspanningcategorie III, in overeenstemming met de installatievoorschriften. Indien nodig garandeert deze inrichting een snelle en veilige afkoppeling van de voeding; de inrichting moet dan ook in het zicht van de automatisering worden geïnstalleerd. Als de inrichting op een niet-zichtbare plaats zit, moet hij een systeem hebben dat een eventuele ongewilde of niet-geautoriseerde heraanluiting van de voeding tegenhoudt, om iedere kans op gevaarlijke situaties uit te sluiten. De afkoppelinrichting wordt niet bij het product geleverd.

01. Open het deksel (**afb. 14-1**);
 02. Licht de besturingseenheid (**afb. 14-2**) op;
 03. Voer de voedingskabel en de andere elektriciteitskabels door één van de gaten op de onderkant van de reductiemotor; u dient de aanwezige kabelmantel hierbij door te snijden (**afb. 14-4**);
 04. Schroef de kabelklem los en plaats de voedingskabel in het hiervoor bestemde kabelkanaal (**afb. 14-5**);
 05. Sluit eerst de voedingskabel aan, zie **afb. 14-6**;
 06. Blokkeer de voedingskabel met de kabelklem (**afb. 14-7**);
 07. Sluit nu de elektriciteitskabels van de motoren M1 en M2 aan, en volg hierbij de symbolen op het etiket (**afb. A**):
 a) sluit op de klem M1 (7-8-9) de motor aan die de onderste vleugel aandrijft (de tweede die de openingsmanoeuvre begint) en vervolgens de bijbehorende encoder op de klemmen 1-2;
 b) sluit op de klem M2 (10-11-12) de motor aan die de bovenste vleugel aandrijft (de eerste die de openingsmanoeuvre begint) en vervolgens de bijbehorende encoder op de klemmen 4-5.

BELANGRIJK! – Indien er slechts één reductiemotor in de installatie aanwezig is, sluit u deze aan op de klem M2 en laat u de klem M1 vrij;



08. Sluit nu de elektriciteitskabels van de verschillende inrichtingen aan, zie hiervoor **afb. 17** en paragraaf 4.3. **Opmerking** – Om het aansluiten van de kabels te vergemakkelijken, is het mogelijk de klemmen uit hun behuizingen te halen;
 09. Sluit het deksel van de reductiemotor (**afb. 14-8**).

4 ELEKTRISCHE AANSLUITINGEN

De elektrische aansluiting van de verschillende inrichtingen (fotocellen, digitale toetsenborden, lezers voor transpondercards etc.) van de automatisering op de besturingseenheid moet tot stand worden gebracht via het "Bluebus" systeem van Nice.

Beschrijving van de elektrische aansluitingen (fig. 13)

ANTENNE	ingang voor de antenne van een radio-ontvanger
FLASH	uitgang voor 1 knipperlicht met lampje van 12 V (maximaal 21 W). [*]
ELS	uitgang voor elektrisch slot van 12 Vac (maximaal 15 VA). [*]
S.C.A.	"Lampje Poort Open": uitgang voor 1 signaleringslampje van 24 V en maximaal 4 W. [*]
BLUEBUS	ingang voor compatibele inrichtingen (MOFB, MOFOB, MOB en MOTB; parallelle aansluiting van de inrichtingen door middel van 2 draden die zowel voor de stroomtoevoer als voor de communicatiesignalen dienen, er hoeft geen bepaalde polariteit te worden aangehouden. De elektrische aansluiting moet van het parallelle type zijn en het is niet nodig om een bepaalde polariteit aan te houden. Gedurende de zelfleringfase zal elke op de besturingseenheid verbonden inrichting dankzij zijn eenduidige code apart door de besturingseenheid worden herkend. Iedere keer dat er een inrichting wordt verwijderd of toegevoegd, moet de deze inrichting eerst door de besturingseenheid worden 'herkend' (zelflering, paragraaf 4.6).
STOP	ingang voor inrichtingen die met hun interventie een onmiddellijke onderbreking van de aan de gang zijnde manoeuvre gevolgd door een korte omkering, veroorzaken; mogelijkheid tot het aansluiten van contacten van het type NO (normaal open), NC (normaal gesloten) of van inrichtingen met uitgang met constante weerstand 8,2 kΩ (contactlijsten). Iedere met deze ingang verbonden inrichting wordt gedurende de zelfleringfase apart door de besturingseenheid 'herkend' (paragraaf 3.4); in deze fase veroorzaakt hij, als de besturingseenheid een willekeurige afwijking ten opzichte van de geleerde status detecteert, een STOP. Het is mogelijk op deze ingang één of meer, ook onderling van elkaar verschillende inrichtingen aan te sluiten: – parallelle aansluiting van meerdere NO inrichtingen, zonder beperkingen van het aantal; – sluit meerdere in serie geschakelde NC inrichtingen aan, zonder beperking van aantal;

4.2 - Aansluiting van de reductiemotor zonder besturingseenheid mod. HK7224 - HK7224HS

01. Open het deksel zoals getoond in **afb. 15-1**;
02. Voer de motorkabel door één van de gaten op de onderkant van de reductiemotor; u dient de aanwezige kabelmantel hierbij door te snijden (**afb. 15-2**);
03. Schroef de kabelklem (**afb. 15-3**) los, plaats de kabel in het hiervoor bestemde kabelkanaal en sluit de draden aan zoals weergegeven op **afb. 15-4**; volg hierbij de symbolen op het etiket;
03. Blokkeer de kabel met de kabelklem (**afb. 15-5**);
04. Sluit het deksel van de reductiemotor (**afb. 15-6**).

4.3 - Aansluiting van andere inrichtingen

Als er nog andere inrichtingen in de installatie van stroom moet voorzien, bijvoorbeeld een lezer voor transpondercards of het lampje voor de verlichting van de sleutelschakelaar, is het mogelijk deze inrichtingen aan te sluiten op de besturingseenheid, op de klemmen "P.P. (positief)" en "STOP (negatief)" (**afb. 13**). De voedingsspanning is 24 Vcc (-30% ÷ +50%) met een maximaal beschikbare stroom van 200 mA.

Opmerking – De spanning die beschikbaar is op de klemmen "P.P." en "STOP", blijft ook aanwezig wanneer de functie "Stand By" op de kaart geactiveerd wordt.

4.4 - Adressering van de aangesloten inrichtingen

Om de besturingseenheid in staat te stellen om de op het Bluebus systeem aangesloten inrichtingen te herkennen, dient u een adres aan deze inrichtingen te geven. Hiervoor dient de elektrische geleidebrug die in elke inrichting aanwezig is in de correcte positie te worden gebracht, zie **afb. B**.

Raadpleeg voor de adressering van de andere inrichtingen de betreffende instructiehandleidingen.

Na afloop van de installatieprocedure of na het verwijderen van fotocellen of andere inrichtingen, dient de zelfleringprocedure voor deze inrichtingen te worden uitgevoerd, zie de paragraaf 4.6.

B

ADRESSEN VAN DE FOTOCELLEN	
Fotocel	Bruggen
FOTO Externe fotocel h = 50 met activering in sluitbeweging (onderbreking en omkering van de beweging)	
FOTO II Externe fotocel h = 100 met activering in sluitbeweging (onderbreking en omkering van de beweging)	
FOTO 1 Interne fotocel h = 50 met activering zowel in sluitbeweging (onderbreking en omkering van de beweging) als in openingsbeweging (onderbreking en hervatting van de beweging op het moment dat de fotocel weer vrij wordt gegeven)	
FOTO 1 II Interne fotocel h = 100 met activering zowel in sluitbeweging (onderbreking en omkering van de beweging) als in openingsbeweging (onderbreking en hervatting van de beweging op het moment dat de fotocel weer vrij wordt gegeven)	
FOTO 2 Interne fotocel met activering in openingsbeweging (onderbreking en omkering van de beweging)	
FOTO 2 II Interne fotocel met activering in openingsbeweging (onderbreking en omkering van de beweging)	
FOTO 3 CONFIGURATIE NIET TOEGESTAAN	

4.5 - Eerste inschakeling en controle van de aansluitingen

Na de besturingseenheid onder spanning te hebben gezet, dient u de volgende controles uit te voeren:

- na enkele seconden, controleren of de led "Bluebus" (**afb. 16**) regelmatig knippert, met een frequentie van 1 maal per seconde;
- controleer of de led's van de fotocellen (**afb. 16**), zowel TX als RX, knipperen. De manier waarop de led's knipperen is in deze fase niet van belang;

• controleer of het knipperlicht dat is aangesloten op de uitgang FLASH uit is.

Als dit allemaal niet gebeurt, dient de stroomtoevoer naar de besturingseenheid te worden uitgeschakeld en dient u de verschillende, eerder tot stand gebrachte, elektrische aansluitingen te controleren.

4.6 - Zelflering van de aangesloten inrichtingen

Na de eerste inschakeling dient u de besturingseenheid de procedure voor herkenning van de met de ingangen "Bluebus" en "Stop" verbonden inrichtingen uit te voeren.

LET OP! – De zelfleringfase moet ook worden uitgevoerd als er geen enkele inrichting met de besturingseenheid is verbonden.

Dankzij de zelfleringprocedure is de besturingseenheid in staat de verschillende aangesloten inrichtingen apart te herkennen en de mogelijke aanwezige storingen te detecteren. Om deze reden dient de zelfleringprocedure iedere keer dat er een inrichting wordt toegevoegd of verwijderd te worden uitgevoerd.

De led's "L1" en "L2" van de besturingseenheid (**afb. 16**) zullen langzaam knipperen, om aan te geven dat de zelfleringprocedure moet worden uitgevoerd:

01. Druk de toetsen "◀" en "Set" (**afb. 16**) tegelijkertijd in en houd ze ingedrukt.
02. Laat de toetsen los wanneer de led's "L1" en "L2" snel beginnen te knipperen (na circa 3 seconden).
03. Wacht enkele seconden tot de besturingseenheid de fase voor zelflering van de inrichtingen voltooid heeft.
04. Na afloop van deze fase moet de led "Stop" branden en moeten de led's "L1" en "L2" uitgaan (het is mogelijk dat de led's "L3" en "L4" beginnen te knipperen).

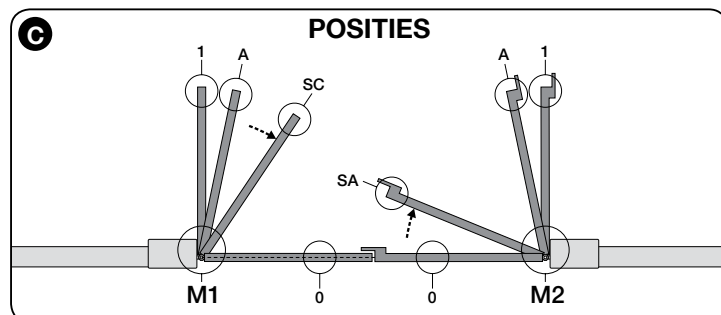
4.7 - Zelflering van de posities van de mechanische eindaanslagen

Na de zelflering van de aangesloten inrichtingen (paragraaf 4.6), dienen de posities van de mechanische stops (maximale openingsstand en maximale sluitingsstand) te worden aangeleerd. Deze procedure kan in drie modi worden uitgevoerd: **automatisch, handmatig en gemengd**.

In de **automatische modus**, voert de besturingseenheid de procedure voor zelflering van de mechanische stops uit en berekent wat de beste faseverschillen van de vleugels zijn (SA en SC, **afb. C**).

In de **handmatige modus** worden de acht posities van de mechanische stops (**afb. C**) één voor één geprogrammeerd door de vleugels op de gewenste punten te zetten. De te programmeren positie kan gevonden worden aan de hand van het knipperen van één of 8 led's (L1...L8), zie **Tabel 2**.

In de **gemengde modus** is het mogelijk de automatische procedure uit te voeren en vervolgens met de handmatige procedure één of meer posities te wijzigen, met uitzondering van de posities "0" en "1" (**afb. C**) die gelijk zijn aan de posities van de mechanische stops.



TABEL 2		
Positie	Led	Beschrijving
Positie 0 (motor 1)	L1	Positie voor maximale sluiting: wanneer de vleugel 1 de mechanische stop voor de sluitbeweging raakt
Positie 0 (motor 2)	L2	Positie voor maximale sluiting: wanneer de vleugel 2 de mechanische stop voor de sluitbeweging raakt
Positie SA (motor 2)	L3	Faseverschil in openingsbeweging: wanneer de vleugel 2 deze positie overschrijdt, begint de opening van de vleugel 1
Positie A (motor 1)	L4	Gewenste openingspositie: positie waarin de met motor 1 verbonden vleugel moet stoppen na afloop van een openingsmanoeuvre. Het is niet noodzakelijk dat deze positie samenvalt met de mechanische stop van de openingsbeweging, er kan naar believen gekozen worden tussen positie "0" en "1"
Positie A (motor 2)	L5	Gewenste openingspositie: positie waarin de met motor 2 verbonden vleugel moet stoppen na afloop van een openingsmanoeuvre. Het is niet noodzakelijk dat deze positie samenvalt met de mechanische stop van de openingsbeweging, er kan naar believen gekozen worden tussen positie "0" en "1"
Positie SC (motor 1)	L6	Faseverschil in sluitbeweging: wanneer de vleugel 1 zich onder deze positie bevindt, begint de sluiting van de vleugel 2
Positie 1 (motor 1)	L7	Positie voor maximale opening: wanneer de vleugel 1 de mechanische stop voor de openingsbeweging raakt
Positie 1 (motor 2)	L8	Positie voor maximale opening: wanneer de vleugel 2 de mechanische stop voor de openingsbeweging raakt

4.7.1 - Zelflering in automatische modus van de centrale HKA2: voor mod. HK7024 en HK7024HS

01. Druk de toetsen "Set" en "▶" tegelijk in en houd ze ingedrukt;

02. Mod. HK7024

laat de toetsen "Set" en "►" los zodra de leds "L3" en "L4" snel gaan knipperen (na ongeveer 4 sec.)

03. Controleer of de automatisering de volgende reeksen van manoeuvres uitvoert:
- a - Langzaam sluiten van de reductiemotor M1 tot aan de mechanische stop
 - b - Langzaam sluiten van de reductiemotor M2 tot aan de mechanische stop
 - c - Langzaam openen van de reductiemotor M2 en de reductiemotor M1 tot aan de mechanische stop
 - d - Snel sluiten van de reductiemotors M1 en M2

Aanbevelingen:

- Als de eerste manoeuvre (a) niet de door de motor M1 aangedreven vleugel sluit, maar de door M2 aangedreven vleugel, drukt u op de toets "◄" of "►" om de zelfleringfase te stoppen. Draai op dit punt de aansluitingen van de motoren M1 en M2 op de klemmen op de besturingseenheid om en vervolgens die van de bijbehorende decoders; start de procedure vervolgens opnieuw vanaf punt 01;
- Als de eerste twee manoeuvres (a en b) geen "sluitbewegingen" blijken te zijn, maar "openingsbewegingen", drukt u op de toets "◄" of "►" om de zelfleringfase te stoppen. Op dit punt dient u, op de reductiemotor die de openingsmanoeuvre heeft uitgevoerd, de polariteit van de twee draden van de reductiemotor M1 (klemmen 7 en 9) en van M2 (klemmen 10 en 12) om te draaien en de procedure te beginnen vanaf punt 01;

04. Na afloop van de sluitmanoeuvre van de 2 motoren (d) gaan de led's:

"L3" en "L4" = HK7024

"L5" en "L6" = HK7024HS

uit ten teken dat de procedure correct werd uitgevoerd.

Aanbevelingen:

- Indien gedurende de automatische zelfleringprocedure de fotocellen of een met de ingang "stop" verbonden inrichting in werking treden, wordt de procedure onderbroken en begint de led L1 te knipperen. Om de zelflering weer te activeren, dient u te procedure te hervatten vanaf punt 01;
- De automatische zelfleringprocedure kan ook na de installatie op elk gewenst moment opnieuw worden uitgevoerd; bijvoorbeeld na een verandering van de positie van de mechanische stops.

4.7.2 - Zelflering in handmatige modus van de centrale HKA2: ALLEEN voor mod. HK7024

Let op! - Vanaf stap 03:

- om van led L1 naar L8 te gaan, dient u de toets of ► kort in te drukken (de led knippert, om de actuele positie aan te geven);
- om de motor in één van beide richtingen te laten bewegen houdt u de toets ◄ of ► ingedrukt.

01. Druk de toetsen "Set" en "►" tegelijk in en houd ze ingedrukt;

02. Laat de toetsen los wanneer led "L1" begint te knipperen (na ongeveer 1 seconde); **Opmerking** - Als de toetsen "Set" en "►" na 3 seconden niet worden losgelaten, wordt de procedure voor "automatische zelflering" geactiveerd, en niet de handmatige procedure.

03. • de led L1 knippert: **positie 0 van M1**

Om de motor 1 aan te sturen en in de **positie 0 (afb. C)** te brengen: houd de toets "◄" of "►" ingedrukt. Nadat de positie bereikt is, de toets loslaten om de manoeuvre te stoppen. Om de positie in het geheugen op te slaan, de toets "Set" minstens 3 sec. ingedrukt houden en vervolgens weer loslaten (na 2 sec. blijft de led L1 branden en bij het loslaten van de toets "Set" begint de led L2 te knipperen).

- de led L2 knippert: **positie 0 van M2**

Om de motor 2 aan te sturen en in de **positie 0 (afb. C)** te brengen: de toets "◄" of "►" indrukken en vasthouden. Nadat de positie bereikt is, de toets loslaten om de manoeuvre te stoppen. Om de positie in het geheugen op te slaan, de toets "Set" minstens 3 sec. ingedrukt houden en vervolgens weer loslaten (na 2 sec. blijft de led L2 branden en bij het loslaten van de toets "Set" begint de led L3 te knipperen).

- de led L3 knippert: **positie SA van M2**

Om de motor 2 aan te sturen en in de **positie SA (afb. C)** te brengen: de toets "◄" of "►" indrukken en vasthouden. Nadat de positie bereikt is, de toets loslaten om de manoeuvre te stoppen. Om de positie in het geheugen op te slaan, de toets "Set" minstens 3 sec. ingedrukt houden en vervolgens weer loslaten (na 2 sec. blijft de led L3 branden en bij het loslaten van de toets "Set" begint de led L4 te knipperen).

- de led L4 knippert: **positie A van M1**

Om de motor 1 aan te sturen en in de **positie A (afb. C)** te brengen: de toets "◄" of "►" indrukken en vasthouden. Nadat de positie bereikt is, de toets loslaten om de manoeuvre te stoppen. Om de positie in het geheugen op te slaan, de toets "Set" minstens 3 sec. ingedrukt houden en vervolgens weer loslaten (na 2 sec. blijft de led L4 branden en bij het loslaten van de toets "Set" begint de led L5 te knipperen).

- de led L5 knippert: **positie A van M2**

Om de motor 2 aan te sturen en in de **positie A (afb. C)** te brengen: de toets "◄" of "►" indrukken en vasthouden. Nadat de positie bereikt is, de toets loslaten om de manoeuvre te stoppen. Om de positie in het geheugen op te slaan, de toets "Set" minstens 3 sec. ingedrukt houden en vervolgens weer loslaten (na 2 sec. blijft de led L5 branden en bij het loslaten van de toets "Set" begint de led L6 te knipperen).

- de led L6 knippert: **positie SC van M1**

Om de motor 1 aan te sturen en in de **positie SC (afb. C)** te brengen: de toets "◄" of "►" indrukken en vasthouden. Nadat de positie bereikt is, de toets loslaten om de manoeuvre te stoppen. Om de positie in het geheugen op te slaan, de toets "Set" minstens 3 sec. ingedrukt houden en vervolgens weer loslaten (na 2 sec. blijft de led L6 branden en bij het loslaten van de toets "Set" begint de led L7 te knipperen).

- de led L7 knippert: **positie 1 van M1**

Mod. HK7024HS

laat de toetsen "Set" en "►" los zodra de leds "L5" en "L6" snel gaan knipperen (na ongeveer 7 sec.)

Om de motor 1 aan te sturen en in de **positie 1 (afb. C)** te brengen: de toets "◄" of "►" indrukken en vasthouden. Nadat de positie bereikt is, de toets loslaten om de manoeuvre te stoppen. Om de positie in het geheugen op te slaan, de toets "Set" minstens 3 sec. ingedrukt houden en vervolgens weer loslaten (na 2 sec. blijft de led L7 branden en bij het loslaten van de toets "Set" begint de led L8 te knipperen).

- de led L8 knippert: **positie 1 van M2**

Om de motor 2 in de **positie 1 (afb. C)** te brengen: de toets "◄" of "►" indrukken en vasthouden. Nadat de positie bereikt is, de toets loslaten om de manoeuvre te stoppen. Om de positie in het geheugen op te slaan, de toets "Set" minstens 3 sec. ingedrukt houden en vervolgens loslaten om de programmering te verlaten (na 2 sec. blijft de led L8 branden tot u de toets "Set" loslaat).

Opmerking - Handmatige programmering van een installatie met één enkele reductiemotor: ga te werk zoals beschreven aan het begin van deze paragraaf, vanaf stap 01. **Ga bij stap 03 als volgt te werk:**

- **programmeer de posities die betrekking hebben op de led's L1 (0 van M1) en L7 (1 van M1) als volgt:** houd de toets "Set" tenminste 3 sec. ingedrukt en laat hem vervolgens weer los (na 2 sec. blijft de led branden en bij het loslaten van de toets "Set" begint de volgende led te knipperen).
- **de posities die betrekking hebben op de led's L3 (SA van M2) - L4 (A van M1) - L6 (SC van M1) moeten niet geprogrammeerd worden:** om u te verplaatsen tussen de posities drukt u kort op de toets "◄" of "►".

4.7.3 - Zelflering in gemengde modus van de centrale HKA2: voor mod. HK7024 en HK7024HS

Voer deze procedure uit nadat u de automatische zelfleringprocedure heeft uitgevoerd:

01. Druk de toetsen "Set" en "►" tegelijk in en houd ze ingedrukt;

02. Laat de toetsen los wanneer led "L1" begint te knipperen (na ongeveer 1 seconde); **Opmerking** - Als de toetsen "Set" en "►" na 3 seconden niet worden losgelaten, wordt de procedure voor "automatische zelflering" geactiveerd, en niet de handmatige procedure.

03. Door kort indrukken van de toets "◄" of "►" verplaatst u de knipperende led (L1...L8) naar de positie die u wilt programmeren; ga voor iedere afzonderlijke positie te werk zoals beschreven bij stap 03 van de handmatige zelflering (paragraaf 4.7.2).

Herhaal deze handeling voor alle andere posities die u wilt veranderen.

Om de handmatige zelflering af te sluiten, drukt u meerdere malen op de toets "►", om de knipperende led tot voorbij de positie L8 te verplaatsen.

4.8 - Controle van de beweging van de vleugels van de poort

Het wordt aangeraden om de besturingseenheid na afloop van de zelfleringfase enkele openings- en sluitmanoeuvres uit te laten voeren, om te controleren of de beweging van de poort correct is en om eventuele montage- en afstelfouten te corrigeren.

01. Druk op de toets "Open". Controleer of het faseverschil van de vleugels in de openingsbeweging correct is en controleer of er gedurende de openingsmanoeuvre een versnellingsfase, een fase met constante snelheid, een vertragingfase is en of de eindaanslag van de vleugels zich op een paar centimeter afstand van de mechanische stops van de openingsbeweging bevindt;

02. Druk op de toets "Close" en controleer of er gedurende de sluitmanoeuvre een versnellingsfase, een fase met constante snelheid en een vertragingfase is. Controleer of het faseverschil van de vleugels in de sluitbeweging correct is. Na afloop moeten de vleugels perfect gesloten zijn op de mechanische sluitstop;

03. Controleer gedurende de manoeuvres of het knipperlicht knippert met tussenpozen van 0,5 seconde bij brandend knipperlicht en van 0,5 seconden bij gedoofd knipperlicht.

5 TESTEN EN INBEDRIJFSTELLING

Dit zijn de belangrijkste fasen bij de verwezenlijking van de automatisering, om een maximale veiligheid van de installatie te garanderen. De test kan ook worden gebruikt om de inrichtingen waar de automatisering uit bestaat, periodiek te controleren. De test- en inbedrijfstellingsfasen van de automatisering moeten door vakmensen worden verricht, die het op zich moeten nemen de tests te bepalen, die nodig zijn om de aangenomen oplossingen ten opzichte van de aanwezige gevaren te controleren en de inachtneming te controleren van wat door wetten, voorschriften en wettelijke regels wordt voorgeschreven: in het bijzonder van alle vereisten van de norm EN 12445, die de testmethoden bepaalt om de automatische systemen van hekken te controleren. De bijkomende inrichtingen moeten een specifieke test ondergaan, zowel wat betreft de functionaliteit, als hun goede interactie met HYKE; raadpleeg dus de handleidingen van de afzonderlijke inrichtingen.

5.1 - Testen

De volgorde van de voor de test te verrichten handelingen heeft betrekking op een standaardinstallatie (fig. 3):

- 1 Controleer of alle aanwijzingen uit het hoofdstuk "Aanbevelingen voor de installatie" strikt in acht zijn genomen.
- 2 Deblokkeer de reductiemotoren handmatig en controleer of het op het punt dat voor de handmatige manoeuvre bestemd is mogelijk is de hekkeur openend of sluitend te bewegen met minder kracht dan 390 N.
- 3 Blokkeer de reductiemotoren (zie hoofdstuk 3.6).
- 4 Terwijl u de besturingsinrichtingen (zender, bedieningsknop, sleutelschakelaar, enz.) gebruikt, verricht u openings-, sluitings- en stoptests van het hek en verzekert u zich ervan dat de beweging van de hekkeuren overeenkomt met wat voorzien is. Het is raadzaam verschillende tests te verrichten om de beweging van de deuren te beoordelen en eventuele montage- en afstelfouten en ook bijzondere wrijvingspunten vast te stellen.

- 5 Controleer de werking van alle veiligheidsinrichtingen van de installatie (fotocellen, veiligheidslijst, enz.) één voor één. Als een inrichting ingrijpt, knippert de led "BLUEBUS" op de besturingseenheid 2 keer sneller ter bevestiging van de plaatsgevonden herkenning.
- 6 Als de gevaarlijke situaties veroorzaakt door de beweging van de hekdeuren beschermd zijn door de beperking van de botskracht moet de kracht worden gemeten volgens norm EN 12445. Als de controle van de "kracht van de reductiemotor" wordt gebruikt als hulpmiddel van het systeem om de botskracht te verminderen, probeert en zoekt u tenslotte de afstelling, die voor de beste resultaten zorgt.

5.2 - Inbedrijfstelling

De inbedrijfstelling kan uitsluitend plaatsvinden na alle testfasen met positief resultaat te hebben verricht.

- 1 Stel een technisch dossier van de automatisering samen, dat de volgende documenten moet bevatten: een allesomvattende tekening van de automatisering, het schema van de verrichte elektrische aansluitingen, het onderzoek

- van de aanwezige gevaren en de bijbehorende aangenomen oplossingen, de verklaring van overeenstemming van de fabrikant van alle gebruikte inrichtingen en de verklaring van overeenstemming die door de installateur is opgemaakt.
- 2 Breng een plaatje op het hek aan met ten minste de volgende gegevens: soort automatisering, naam en adres van de fabrikant (verantwoordelijke van de "inbedrijfstelling"), serienummer, bouwjaar en "CE" markering.
- 3 Stel de verklaring van overeenstemming op en geef ze aan de eigenaar van de automatisering.
- 4 Stel de "**Gebruikshandleiding**" van de automatisering op en geef ze aan de eigenaar van de automatisering.
- 5 Stel het "**Onderhoudsprogramma**" op, met de onderhoudsvoorschriften van alle inrichtingen van de automatisering en geeft het aan de eigenaar van de automatisering.
- 6 Voordat u de automatisering in bedrijf stelt, informeert u de eigenaar goed over de gevaren en restrisico's die er nog zijn. Voor de geciteerde documentatie stelt Nice via haar technische servicedienst het volgende ter beschikking: handleidingen, leidraden en reeds ingevulde formulieren. Zie ook: www.nice-service.com

6 PROGRAMMERING VAN DE BESTURINGSEENHEID

Op de besturingseenheid zitten 3 toetsen: **OPEN** (◀), **STOP (SET)**, **CLOSE** (▶). Deze toetsen kunnen zowel gebruikt worden om de besturingseenheid te bedienen gedurende de testfasen, als om de beschikbare functies te programmeren. De beschikbare programmeerbare functies kennen 2 niveaus en de werkingsstatus ervan wordt aangegeven door de 8 led's (**L1** ... **L8**) op de besturingseenheid (led aan = functie actief; led uit = functie niet actief).

De programmeertoetsen gebruiken:

OPEN (◀): – toets voor het aansturen van de openingsbeweging van de poort; – selectietoets in programmeerfase.

STOP/SET: toets voor het onderbreken van een manoeuvre; als hij meer dan 5 seconden ingedrukt wordt gehouden, activeert hij de programmeerfase.

CLOSE (▶): – toets voor het aansturen van de sluitbeweging van de poort; – selectietoets in programmeerfase.

6.1 - Programmering eerste niveau (ON-OFF)

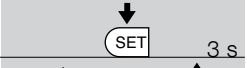
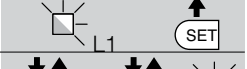

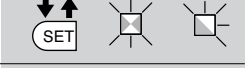

Alle functies van het eerste niveau zijn in de fabriek ingesteld op "**OFF**" en kunnen op elk gewenst moment gewijzigd worden. Om de verschillende functies te controleren, zie **Tabel 3**. Voor de programmeerprocedure, zie **Tabel 4**.

BELANGRIJK – De programmeerprocedure kent een tijd van maximaal 10 seconden tussen het indrukken van de ene en de andere toets. Nadat deze tijd verstreken is, wordt de procedure automatisch afgesloten, waarbij de tot op dat moment aangebrachte wijzigingen worden opgeslagen.

TABEL 3 - Functies eerste niveau

Led	Functie	Beschrijving
L1	Automatische sluiting	Functie ACTIEF : na een openingsmanoeuvre wordt een pauze ingelast (waarvan de duur gelijk is aan de geprogrammeerde Pauzetijd) nadat deze tijd is verstreken, start de besturingseenheid automatisch een sluitmanoeuvre. De fabriekswaarde van de Pauzetijd is 30 sec. Functie NIET ACTIEF : de werking is van het "semi-automatische" type.
L2	Sluit na foto	Functie ACTIEF : indien gedurende de openings- of sluitmanoeuvre de fotocellen in werking treden, wordt de pauzetijd gereduceerd tot 5 sec. onafhankelijk van de geprogrammeerde pauzetijd. Met gedeactiveerde "automatische sluiting" wordt, indien gedurende het sluiten de fotocellen in werking treden, de "automatische sluiting" met de geprogrammeerde "pauzetijd" geactiveerd.
L3	Sluit altijd	Functie ACTIEF : in het geval van een stroomuitval, ook indien deze van korte duur is, zal de besturingseenheid bij het terugkeren van de stroom een geopende poort detecteren en automatisch een sluitmanoeuvre starten, voorafgegaan door 5 sec. voorwaarschuwing. Functie NIET ACTIEF : bij het terugkeren van de stroom blijft de poort waar hij is.
L4	Stand-by alles	Functie ACTIEF : 1 minuut na afloop van de manoeuvre zal de besturingseenheid de uitgang "BlueBus" (inrichtingen aangesloten), de Bus T4 (inrichtingen aangesloten), de uitgangen flash, ELS en sca, enkele interne circuits en alle led's, met uitzondering van de Led BlueBus, die langzamer gaat knipperen, uitschakelen. Wanneer de besturingseenheid een instructie ontvangt, wordt de normale werking hersteld (met een korte vertraging). Deze functie heeft het doel het stroomverbruik te verminderen; dit is belangrijk bij voeding op batterijen of zonnepanelen.
L5	Elektrisch slot / Gebruikerslicht	Functie ACTIEF : de uitgang "elektrisch slot2" schakelt zijn functie om naar "gebruikerslicht". Functie NIET ACTIEF : de uitgang werkt als elektrisch slot.
L6	Voorwaarschuwing	Functie ACTIEF : het is mogelijk een pauze van 3 seconden in te lassen tussen de inschakeling van het knipperlicht en het begin van de manoeuvre, om op tijd te waarschuwen voor een gevarensituatie. Functie NIET ACTIEF : de signalering van het knipperlicht valt samen met het begin van de manoeuvre.
L7	"Sluit" wordt "Open gedeeltelijk 1"	Functie ACTIEF : de ingang "Close" van de besturingseenheid schakelt zijn werking om naar "Open Gedeeltelijk 1".
L8	"Lampje poort open" of "Lampje onderhoud"	Functie ACTIEF : de uitgang 2lampje poort open" van de besturingseenheid schakelt zijn werking om naar "lampje onderhoud". Functie NIET ACTIEF : de uitgang werkt als "lampje poort open"

TABEL 4 - Procedure voor programmering eerste niveau

01. Houd de toets " Set " circa 3 seconden ingedrukt;	
02. Laat de toets los wanneer de led " L1 " begint te knipperen;	
03. Druk op de toets "◀" of "▶" om de knipperende led te verplaatsen naar de led die de te wijzigen functie vertegenwoordigt;	
04. Druk op de toets " Set " om de status van de functie te veranderen: (kort knipperen = OFF - lang knipperen = ON);	
05. Wacht 10 seconden (maximumtijd) om de programmering af te sluiten.	

Opmerking – Om andere functie op "ON" of "OFF" te programmeren dient u, gedurende het uitvoeren van de procedure de punten 03 en 04 gedurende de fase zelf te herhalen.

6.2 - Programmering tweede niveau (instelbare parameters)

Alle parameters van het tweede niveau zijn in de fabriek ingesteld zoals in de **kleur grijs** is aangegeven in **Tabel 5** en kunnen op elk gewenst moment worden gewijzigd door te werk te gaan zoals beschreven in **Tabel 6**.

De parameters kunnen worden ingesteld op een waarde tussen 1 en 8; om te controleren welke waarde bij elk van de led's hoort, raadpleegt u de **Tabel 8**.

BELANGRIJK – De programmeerprocedure kent een tijd van maximaal 10 seconden tussen het indrukken van de ene en de andere toets. Nadat deze tijd verstreken is, wordt de procedure automatisch afgesloten, waarbij de tot op dat moment aangebrachte wijzigingen worden opgeslagen.

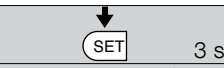
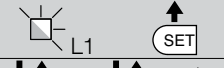


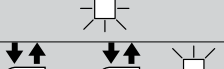



TABEL 5 - Functies tweede niveau

Ingangsled	Parameter	Led (niveau)	Waarde	Beschrijving
L1	Pauzetijd	L1	5 seconden	Stelt de pauzetijd in, d.w.z. de tijd voordat de poort automatisch weer gesloten wordt. Heeft alleen uitwerking als de functie Sluiting actief is.
		L2	15 seconden	
		L3	30 seconden	
		L4	45 seconden	
		L5	60 seconden	
		L6	80 seconden	
		L7	120 seconden	
		L8	180 seconden	
L2	Functie Stap-voor-stap	L1	Open – stop – sluit – stop	Regelt de reeks van instructies horend bij de ingang "Stap-voor-stap", "Open", "Sluit" of de radio-instructie. Opmerking – Door L4, L5, L7 en L8 in te stellen wordt ook het gedrag van de instructies "Open" en "Sluit" gewijzigd.
		L2	Open – stop – sluit – open	
		L3	Open – sluit – open – sluit	
		L4	Woonblok: • in de openingsmanoeuvre hebben de instructies "Stap-voor-stap" en "Open" geen enkele uitwerking; de instructie "Sluit" daarentegen veroorzaakt de omkering van de beweging, d.w.z. de poort wordt gesloten. • in de sluitmanoeuvre veroorzaken de instructies "Stap-voor-stap" en "Open" de omkering van de beweging, d.w.z. de vleugels worden geopend; de instructie "Sluit" heeft daarentegen geen enkele uitwerking.	
		L5	Woonblok 2: • in de openingsmanoeuvre hebben de instructies "Stap-voor-stap" en "Open" geen enkele uitwerking; de instructie "Sluit" daarentegen veroorzaakt de omkering van de beweging, d.w.z. de poort wordt gesloten. Als de verstuurde instructie langer dan 2 seconden aanhoudt, wordt een "Stop" uitgevoerd. • in de sluitmanoeuvre veroorzaken de instructies "Stap-voor-stap" en "Open" de omkering van de beweging, d.w.z. de vleugels worden geopend; de instructie "Sluit" heeft daarentegen geen enkele uitwerking. Als de verstuurde instructie langer dan 2 seconden aanhoudt, wordt een "Stop" uitgevoerd.	
		L6	Stap-voor-stap 2 (minder dan 2" leidt tot open gedeeltelijk)	
		L7	Persoon aanwezig: de manoeuvre wordt alleen uitgevoerd als de verstuurder instructie aanhoudt, als de instructie wordt onderbroken, stopt de manoeuvre.	
		L8	Opening in "semi-automatisch", sluiting bij "persoon aanwezig"	
L3	Snelheid motoren	L1	Heel langzaam	Regelt de snelheid van de motoren gedurende het normale traject.
		L2	Langzaam	
		L3	Gemiddeld	
		L4	Snel	
		L5	Zeer snel	
		L6	Hoogste snelheid	
		L7	Open snel, Sluit langzaam	
		L8	Open op hoogste snelheid, Sluit op gemiddelde snelheid	
L4	Drukafvoer motoren gedurende de Sluiting	L1	Geen drukafvoer	Regelt de duur van de "korte omkering" van beide motoren na het uitvoeren van de sluitmanoeuvre, met het doel de resterende eindstootkracht te reduceren, een goede sluiting te garanderen en de handmatige ontgrensdeling van de reductiemotor te vergemakkelijken.
		L2	Niveau 1 - Minimum drukafvoer (circa 100 ms)	
		L3	Niveau 2 - ...	
		L4	Niveau 3 - ...	
		L5	Niveau 4 - ...	
		L6	Niveau 5 - ...	
		L7	Niveau 6 - ...	
		L8	Niveau 7 - Maximum drukafvoer (circa 800 ms)	
L5	Kracht motoren	L1	Niveau 1 - Minimumkracht	Regelt de kracht van beide motoren.
		L2	Niveau 2 - ...	
		L3	Niveau 3 - ...	
		L4	Niveau 4 - ...	
		L5	Niveau 5 - ...	
		L6	Niveau 6 - ...	
		L7	Niveau 7 - ...	
		L8	Niveau 8 - Maximumkracht	
L6	Opening voetganger of gedeeltelijke opening	L1	Voetganger 1 (opening van de vleugel M2 op 1/4 van de totale opening)	Regelt het type opening dat wordt toegekend aan de instructie "gedeeltelijke opening 1". Op de niveaus L5, L6, L7, L8; onder "minimum" opening verstaat men kleinste opening van M1 en M2; als M1 bijvoorbeeld op 90° opent en M2 op 110°, is de minimumopening 90°.
		L2	Voetganger 2 (opening van de vleugel M2 op 1/2 van de totale opening)	
		L3	Voetganger 3 (opening van de vleugel M2 op 3/4 van de totale opening)	
		L4	Voetganger 4 (totale opening van de vleugel 2)	
		L5	Gedeeltelijk 1 (opening van de twee vleugels op 1/4 van de "minimum" opening)	
		L6	Gedeeltelijk 2 (opening van de twee vleugels op 1/2 van de "minimum" opening)	
		L7	Gedeeltelijk 3 (opening van de twee vleugels op 3/4 van de "minimum" opening)	
		L8	Gedeeltelijk 4 (opening van de twee vleugels gelijk aan de "minimum" opening)	

L7	Onderhoudswaarschuwing	L1	500	Regelt het aantal manoeuvres: wanneer dit aantal wordt overschreden, signaleert de besturingseenheid dat de automatisering onderhouden moet worden, zie paragraaf 6.3.2. – Onderhoudswaarschuwing.
		L2	1000	
		L3	1500	
		L4	2500	
		L5	5000	
		L6	10000	
		L7	15000	
		L8	20000	
L8	List of faults	L1	Resultaat 1 ^e manoeuvre (de meest recente)	Stelt u in staat na te gaan wat voor soort fout zich heeft voorgedaan gedurende het uitvoeren van de laatste 8 manoeuvres. Zie TABEL 10 - Historisch foutenoverzicht
		L2	Resultaat 2 ^e manoeuvre	
		L3	Resultaat 3 ^e manoeuvre	
		L4	Resultaat 4 ^e manoeuvre	
		L5	Resultaat 5 ^e manoeuvre	
		L6	Resultaat 6 ^e manoeuvre	
		L7	Resultaat 7 ^e manoeuvre	
		L8	Resultaat 8 ^e manoeuvre	

Opmerking – De kleur grijs geeft de in de fabriek ingestelde waarden aan.

TABEL 6 - Procedure voor programmering tweede niveau

01. Houd de toets "Set" circa 3 seconden ingedrukt;	
02. Laat de toets los wanneer de led "L1" begint te knipperen;	
03. Druk op de toets "◀" of "▶" om de knipperende led te verplaatsen op de led die de "ingangsled" is van de te wijzigen parameter;	
04. Houd de toets "Set" ingedrukt tot punt 06 is afgewerkt;	
05. Wacht circa 3 seconden totdat de led gaat branden die het actuele niveau van de te wijzigen parameter vertegenwoordigt;	
06. Druk op de toets "◀" of "▶" om de led, die de parameterwaarde vertegenwoordigt, te verplaatsen;	
07. Laat de toets "Set" los;	
08. Wacht 10 seconden (maximumpijnd) om de programmering af te sluiten.	

Opmerking – Om meerdere parameters te programmeren dient u gedurende de procedure de handelingen van punt 03 tot punt 07 gedurende de fase zelf te herhalen.

6.3 - Speciale functies

6.3.1 - Functie: "Functioneer in elk geval"

Deze functie maakt het mogelijk de automatisering ook te laten werken wanneer er een veiligheidsinrichting niet correct werkt of buiten gebruik is. De automatisering kan worden bediend in de modus "persoon aanwezig", ga hiervoor als volgt te werk:

01. Stuur een instructie om de poort in werking te stellen, met een zender of een sleutelschakelaar etc. Als alles goed is zal de poort normaal bewegen, als dit niet zo is gaat u als volgt te werk:
02. binnen 3 seconden de instructie opnieuw activeren en actief houden;
03. na ongeveer 2 seconden zal de poort de vereiste manoeuvre uitvoeren in de modus met "persoon aanwezig"; d.w.z. de poort zal alleen blijven bewegen zo lang de instructie gegeven wordt.

Wanneer de veiligheidsinrichtingen niet werken, zal het knipperlicht knipperen om aan te geven wat voor probleem er is (zie hoofdstuk 6 - Tabel 8).

6.3.2 - Functie: "Onderhoudswaarschuwing"

Deze functie signaleert wanneer er onderhoud aan de automatisering moet worden verricht. De signalering van de onderhoudswaarschuwing geschiedt via een lamp die verbonden is met de uitgang S.C.A. wanneer deze uitgang geprogrammeerd is als "Lampje onderhoud". De verschillende signaleringen van het verklikkerlampje zijn vermeld in Tabel 7.

Tabel 7 - Signalering "Lampje onderhoud"

Aantal manoeuvres	Signalering
Minder dan 80% van de limiet	Lampje brandt 2 seconden, aan het begin van de openingsmanoeuvre.
Tussen '81% en 100% van de limiet	Lampje brandt voor de hele duur van de manoeuvre.
Meer dan 100% van de limiet	Lampje brandt voortdurend.

Om de limietwaarde voor het aantal manoeuvres tussen onderhoudsbeurten te programmeren, zie Tabel 5.

6.4 - Wissen van het geheugen

Om het geheugen van de besturingseenheid te wissen en alle fabrieksinstellingen te herstellen, gaat u als volgt te werk:

de toetsen "◀" en "▶" indrukken en vasthouden totdat de led's L1 en L2 beginnen te knipperen.

7 WAT TE DOEN ALS... (handleiding voor het oplossen van problemen)

Bepaalde inrichtingen geven signaleringen af aan de hand waarvan de werkingsstatus of eventuele stringen herkend kunnen worden.

Als op de uitgang FLASH op de besturingseenheid een knipperlicht wordt aangesloten, zal dit gedurende het uitvoeren van een manoeuvre knipperen met tussenpozen van 1 seconde. Als er zich een storing voordoet, zal het knipperlicht korter knipperen, en het licht knippert tweemaal, waarna er een pauze van 1 seconde is. In Tabel 8 vindt u een beschrijving van de oorzaak en oplossing voor de verschillende signaleringen.

Ook de led's op de besturingseenheid geven signaleringen; in Tabel 9 vindt u een beschrijving van de oorzaak en oplossing voor de verschillende signaleringen.

Het is mogelijk te controleren welke storingen zich eventueel hebben voorgedaan gedurende de laatste 8 manoeuvres, zie hiervoor Tabel 10.





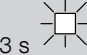


TABEL 8 - Signaleringen van het knipperlicht (FLASH)

Aantal knipperingen	Probleem	Oplossing
1 korte knippering pauze van 1 seconde 1 korte knippering	Fout Bluebus systeem	De controle van de inrichtingen die zijn aangesloten op het Bluebus systeem, die aan het begin van de manoeuvre wordt uitgevoerd, stemt niet overeen met de inrichtingen die gedurende de zelffleringfase werden opgeslagen. Mogelijk zijn er inrichtingen afgekoppeld of defect, controleer en voer eventueel vervangingen uit. Als er wijzigingen zijn aangebracht, dient de zelfflering van de inrichtingen te worden herhaald (zie paragraaf 4.6).
2 korte knipperingen pauze van 1 seconde 2 korte knipperingen	Er is een fotocel in werking getreden	Eén of meer fotocellen geven geen toestemming voor de beweging of hebben gedurende het traject een omkering van de beweging veroorzaakt, controleer of er obstakels aanwezig zijn.
3 korte knipperingen pauze van 1 seconde 3 korte knipperingen	Activering van de functie "Obstakeldetectie" door krachtbegrenzer	Gedurende de beweging hebben de motoren meer kracht moeten leveren; controleer de oorzaak en verhoog eventueel het krachtniveau van de motoren.
4 korte knipperingen pauze van 1 seconde 4 korte knipperingen	Activering van de ingang STOP	Aan het begin van de manoeuvre of gedurende de beweging is er een activering geweest van de met de ingang STOP verbonden inrichtingen; ga na wat hiervan de oorzaak is.
5 korte knipperingen pauze van 1 seconde 5 korte knipperingen	Fout in de interne parameters van de besturingseenheid	Wacht minstens 30 seconden en probeer vervolgens opnieuw een instructie te geven en schakel eventueel ook de stroomtoevoer uit; als de status niet verandert, is er mogelijk een ernstige storing en moet de elektronische kaart worden vervangen.
6 korte knipperingen pauze van 1 seconde 6 korte knipperingen	Overschrijding van de maximumlimiet voor de achtereenvolgende manoeuvres of het aantal manoeuvres per uur.	Wacht enkele minuten om de inrichting voor begrenzing van de manoeuvres tot onder de maximumlimiet terug te laten keren.
7 korte knipperingen pauze van 1 seconde 7 korte knipperingen	Storing elektrische circuits	Wacht minstens 30 seconden en probeer vervolgens opnieuw een instructie te versturen en schakel eventueel ook de stroomtoevoer uit; als de status niet verandert, is er mogelijk een ernstige storing en moet de elektronische kaart worden vervangen.
8 korte knipperingen pauze van 1 seconde 8 korte knipperingen	Er is reeds een instructie aanwezig die het uitvoeren van instructies niet toelaat.	Controleer de aard van de instructie die altijd aanwezig is; dit kan bijvoorbeeld de instructie vanaf een klok op de ingang "open" zijn.
9 korte knipperingen pauze van 1 seconde 9 korte knipperingen	De automatisering werd geblokkeerd door een instructie "Blokkeer de automatisering".	Deblokkeer de automatisering door de instructie "Deblokkeer automatisering" te versturen.
10 korte knipperingen pauze van 1 seconde 10 korte knipperingen	Activering van de functie "Obstakeldetectie" door encoder	Gedurende de beweging werden de motoren geblokkeerd door wrijving, controleer de oorzaak.

TABEL 9 - Signaleringen van de led's op de besturingseenheid (afb. 16)

Led	Probleem	Oplossing
BLUEBUS		
Altijd uit	Storing	Controleer of de besturingseenheid voeding krijgt; controleer of de zekeringen niet zijn doorgebrand. Ga in dit geval na wat de oorzaak van de storing is en vervang de zekeringen door zekeringen van dezelfde stroomwaarde
Altijd aan	Ernstige storing	Het betreft een ernstig probleem: probeer de elektrische voeding naar de besturingseenheid af te koppelen, als de status gelijk blijft, dient de elektronische kaart te worden vervangen.
1 knippering per seconde	Alles normaal	Normale werking van de besturingseenheid
2 snelle knipperingen	Variatie van de status van de ingangen	Is normaal als er een variatie optreedt in één van de ingangen (PP, STOP, OPEN, CLOSE): activering van de fotocellen of verzending van een instructie met een zender
Serie knipperingen, onderbroken door een pauze van 1 seconde	Diversen	Zie Tabel 8
STOP		
Altijd uit	Activering van de met de ingang STOP verbonden inrichtingen	Controleer de inrichtingen van de ingang STOP
Altijd aan	Alles normaal	Ingang STOP actief
P.P.		
Altijd uit	Alles normaal	Ingang P.P. niet actief
Altijd aan	Activering van de ingang P.P.	Is normaal als de met de ingang P.P. verbonden inrichting actief is
OPEN		
Altijd uit	Alles normaal	Ingang OPEN niet actief.
Altijd aan	Activering van de ingang OPEN	Is normaal als de met de ingang OPEN verbonden inrichting actief is
CLOSE		
Altijd uit	Alles normaal	Ingang CLOSE niet actief.
Altijd aan	Activering van de ingang CLOSE	Is normaal als de met de ingang CLOSE verbonden inrichting actief is
L1 - L2 Langzaam knipperen	Variatie van het aantal met Bluebus verbonden inrichtingen of zelfflering inrichting niet uitgevoerd	De zelffleringprocedure van de inrichtingen moet worden uitgevoerd (zie paragraaf 4,6)
L3 - L4 Langzaam knipperen	De zelfflering van de posities van de mechanische stops werd nooit uitgevoerd	De zelfflering van de posities van de mechanische stops werd nooit uitgevoerd (zie paragraaf 4,7)

TABEL 10 - Historisch foutenoverzicht

01. Houd de toets "Set" circa 3 seconden ingedrukt;	
02. Laat de toets los wanneer de led "L1" begint te knipperen;	
03. Druk op de toets "◀" of "▶" om van de knipperende led naar de led L8 ("ingangsled") voor de parameter te gaan "Lijst fouten";	
04. Houd de toets "Set" ingedrukt tot punt 06 is afgewerkt;	
05. Wacht circa 3 seconden totdat de led's aangaan die de niveaus vertegenwoordigen die overeenstemmen met de manoeuvres die fouten hebben vertoond. De led L1 geeft het resultaat van de meest recente manoeuvre aan en L8 dat van de achtste manoeuvre. Als de led brandt, betekent dit dat er zich problemen hebben voorgedaan, als de led uit is, is alles normaal.	
06. Druk op de toetsen "◀" en "▶" om de gewenste manoeuvre te selecteren: de bijbehorende led laat een aantal knipperingen zien het aantal knipperingen is gelijk aan het aantal dat normaal door het knipperlicht wordt getoond;	
07. Laat de toets "Set" los.	

8 VERDERE DETAILS

Voor HYKE zijn de volgende (optionele) accessoires voorzien: ontvangers van de familie SMXI, OXI, de programmeereenheid Oview, het zonnepaneel Solemyo en de bufferbatterij mod. PS124.

8.1 - Aansluiting van een radio-ontvanger

De besturingseenheid is voorzien van een connector voor de aansluiting van radio (optioneel accessoire) die behoren tot de familie SMXI, OXI. Om een ontvanger aan te sluiten, de elektrische voeding naar de besturingseenheid afkoppelen en te werk gaan zoals te zien is op **afb. 17**. In de **Tabel 11** en **Tabel 12** zijn de instructies vermeld die overeenkomen met de uitgangen op de besturingseenheid.

Uitgang Nr.	Instructie
Uitgang Nr. 1	Instructie "P.P." (Stap-voor-stap)
Uitgang Nr. 2	Instructie "gedeeltelijke opening 1"
Uitgang Nr. 3	Instructie "Open"
Uitgang Nr. 4	Instructie "Sluit"

Nr.	Instructie	Beschrijving
1	Stap-voor-stap	Instructie "P.P." (Stap-voor-stap)
2	Gedeeltelijke opening 1	Instructie "Gedeeltelijke opening 1"
3	Open	Instructie "Open"
4	Sluit	Instructie "Sluit"
5	Stop	Stop de manoeuvre
6	Stap-voor-stap woonblok	instructie in modus Woonblok
7	Stap-voor-stap hoge prioriteit	Stuurt ook aan bij geblokkeerde automatisering of actieve instructies
8	Open gedeeltelijk 2	Open gedeeltelijk (opening van de vleugel M2 op 1/2 van de totale opening)
9	Open gedeeltelijk 3	Open gedeeltelijk (opening van de twee vleugels gelijk aan 1/2 van de totale opening)
10	Open en blokkeer	Veroorzaakt een openingsmanoeuvre en na afloop daarvan de blokkering van de automatisering; de besturingseenheid accepteert geen enkele andere instructie met uitzondering van "Stap-voor-stap hoge prioriteit", "Deblokkeer automatisering" of (alleen vanaf Oview) de instructies: "Deblokkeer en sluit" en "Deblokkeer en open"
11	Sluit en blokkeer automatisering	Veroorzaakt een sluitmanoeuvre en na afloop daarvan de blokkering van de automatisering; de besturingseenheid accepteert geen enkele andere instructie met uitzondering van "Stap-voor-stap hoge prioriteit", "Deblokkeer automatisering" of (alleen vanaf Oview) de instructies: "Deblokkeer en sluit" en "Deblokkeer en open"

12	Blokkeer automatisering	Veroorzaakt een stop van de manoeuvre en de blokkering van de automatisering; de besturingseenheid accepteert geen enkele andere instructie met uitzondering van "Stap-voor-stap hoge prioriteit", "Deblokkeer automatisering" of (alleen vanaf Oview) de instructies: "Deblokkeer en sluit" en "Deblokkeer en open".
13	Deblokkeer automatisering	Veroorzaakt de deblokkering van de automatisering en de hervatting van de normale werking
14	On Timer gebruikerslicht	De uitgang Gebruikerslicht gaat aan, met tijdgeprogrammeerde uitschakeling
15	On-Off gebruikerslicht	De uitgang Gebruikerslicht gaat aan en uit, in de modus Stap-voor-stap

8.2 - Aansluiting en installatie van de bufferbatterij mod. PS124

LET OP! - De batterij mag alleen elektrisch op de besturingseenheid worden aangesloten na alle installatie- en programmeringsfasen te hebben voltooid, omdat de batterij een elektrische noodvoeding is.

Om de batterij te installeren en aan te sluiten, volgt u de montagefasen, die in **fig. 18** worden getoond.

8.3 - Aansluiting van het programmeertoestel Oview

Op de besturingseenheid bevindt zich de connector BusT4, waarop de programmeringseenheid Oview kan worden aangesloten, die een volledige en snelle besturing van de installatie-, onderhouds-, en diagnosefase mogelijk maakt van de hele automatisering. Om toegang te krijgen tot de connector moet worden gehandeld als in **fig. 19** en de connector op zijn plaats worden aangesloten. Oview kan op meerdere besturingseenheden tegelijk worden aangesloten (tot 5 zonder bijzondere voorzorgsmaatregelen, tot 60 door de speciale waarschuwingen te volgen) en kan ook tijdens de normale werking van de automatisering op de besturingseenheid aangesloten blijven. In dat geval kan ze worden gebruikt om opdrachten direct naar de besturingseenheid te sturen, door het speciale "gebruikersmenu" te gebruiken. Het is ook mogelijk de firmware te updaten. Als er een radio-ontvanger in de besturingseenheid zit, die deel uitmaakt van de OXI-groep, is het m.b.v. Oview mogelijk toegang te krijgen tot de parameters van de zenders, die in de ontvanger zelf zijn opgeslagen. Raadpleeg voor diepgaandere informatie de bijbehorende handleiding en de systeemhandleiding "Opera system book".

8.4 - Aansluiting van het zonne-energiesysteem Solemyo

LET OP! - Wanneer de automatisering van stroom wordt voorzien door het systeem "Solemyo", mag deze NIET TEGELIJKERTIJD OOK GEVOED worden door het elektriciteitsnet.

Zie voor meer informatie over het Solemyo-systeem de betreffende instructiehandleiding.

Voor de aansluiting van het Solemyo-systeem gaat u te werk zoals te zien is op **afb. 20**.

8.5 - Aansluiting voor het systeem voor externe ontgrendeling Kio

LET OP! - Kio moet worden aangesloten op de reductiemotor die de vleugel aandrijft die als eerste begint te bewegen (uitgaande van de poort in gesloten stand).

01. Open het deksel van de reductiemotor (**afb. 21-1**);
02. Verwijder het plastic carter van de reductiemotor zoals te zien is op **afb. 21-2**;
03. Steek de schroef met moer in het hiervoor bestemde gat zoals weergegeven op de **afb. 21-3**;
04. Maak de twee uiteinden van de veer vast zoals weergegeven op **afb. 22-4**;
05. Steek de staalkabel eerst in de schroef en vervolgens in het gat van de pen

zoals te zien is op **afb. 21-5**;

- 06.** Blokkeer de kabel door de hiervoor bestemde schroef (**afb. 21-5**) vast te draaien;
- 07.** Voer het andere uiteinde van de kabel door één van de gaten op de onderkant van de reductiemotor, zoals te zien is op **afb. 21-6**;
- 08.** Plaats het plastic carter en vervolgens het deksel van de reductiemotor (**afb. 21-7**) terug;
- 09.** Sluit op dit punt de kabel aan op de Kio, zie de betreffende instructiehandleiding.

delen, die niet voldoende garantie bieden;

- 03.** Verricht een ontgrendelingstest om de goede werking te controleren, zie paragraaf 3.6.
- 04.** Sluit de elektrische voedingsbronnen weer aan en verricht alle tests en controles die staan in hoofdstuk 5 - Testen.

9 ONDERHOUD VAN HET PRODUCT

Om het veiligheidsniveau constant te houden en een maximale levensduur van de hele automatisering te garanderen, is regelmatig onderhoud nodig. Het onderhoud moet met volledige inachtneming van de veiligheidsvoorschriften van deze handleiding worden verricht en volgens wat door de geldende wetten en voorschriften wordt voorgeschreven.

Controleer het product vaak om na te gaan of sprake is van onbalans van de hekdreuren, tekenen van slijtage, schade aan de elektrische kabels en veren.

Belangrijk – Tijdens de onderhoudsfase of de reiniging van het product koppelt u de besturingseenheid van de elektrische voeding en van de batterijen, indien aanwezig.

Voor de andere inrichtingen in de installatie volgt u wat in de respectievelijke onderhoudsprogramma's staat.

Bij de reductiemotoren HK7024, HK7224, HK7024HS, HK7224HS is maximaal binnen 6 maanden of 20.000 manoeuvres na het vorige onderhoud een geprogrammeerd onderhoud nodig.

Handel als volgt om het onderhoud te verrichten.

- 01.** Koppel alle elektrische voedingsbronnen los, inclusief eventuele bufferbatterijen.
- 02.** Controleer de slijtagestaat van de beugels en bevestigingspluggen, met bijzondere aandacht voor afslijting en oxidatie van de delen. Vervang de

HET PRODUCT AFDANKEN

Dit product maakt integrerend deel uit van de automatisering en moet er dus samen mee worden afgedankt.

Net als bij de installatie moeten de ontmantelingswerkzaamheden aan het eind van het leven van het product door vakmensen worden verricht.

Dit product bestaat uit verschillende materialen: sommige kunnen worden gerecycled, andere moeten worden afgedankt. Win informatie in over de recycling- of afvoersystemen voorzien door de wettelijke regels, die in uw land voor deze productcategorie gelden.

Let op! – Sommige delen van het product kunnen vervuilende of gevaarlijke stoffen bevatten, die als ze in het milieu worden achtergelaten schadelijke effecten op het milieu en de gezondheid kunnen hebben.

Zoals door het symbool aan de zijkant wordt aangeduid, is het verboden dit product bij het huishoudelijk afval weg te gooien. Zamel de afval dus gescheiden in, volgens de wettelijke regels die in uw land gelden, of lever het product bij aankoop van een nieuw gelijkwaardig product bij de dealer in.



Let op! – De lokaal geldende wettelijke regels kunnen zware sancties opleggen als dit product verkeerd wordt afgedankt.

De bufferbatterij afdanken (indien aanwezig)

Let op! – De lege batterij bevat vervuilende stoffen en mag dus niet bij het gewone afval worden gedaan.

Ze moet via de gescheiden afvalinzameling worden weggegooid, volgens de voorschriften die in uw land gelden.

Duur van het product

De levensduur is de gemiddelde economische levensduur van het product. Hoe lang een product meegaat, is sterk afhankelijk van de zwaarte-index van de door de automatisering uitgevoerde manoeuvres: d.w.z., de som van alle factoren die aan de slijtage van het product bijdragen (zie Tabel 13).

Om de waarschijnlijke levensduur van uw automatisering te bepalen, gaat u als volgt te werk:

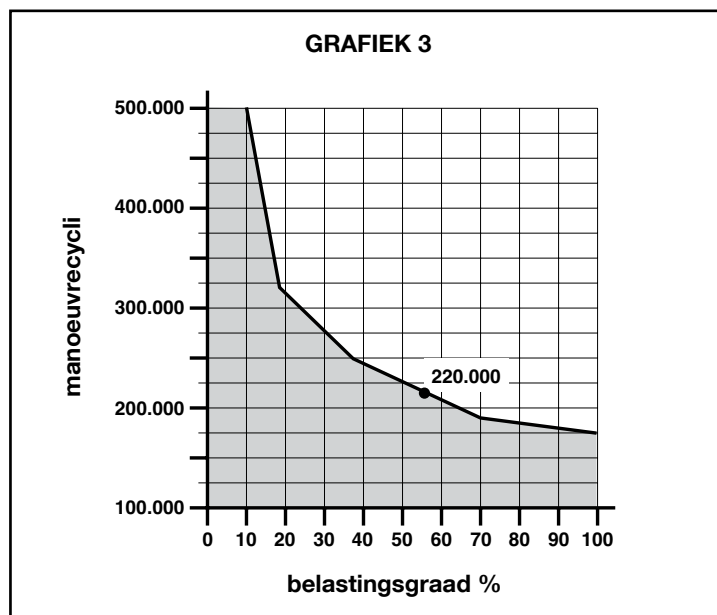
01. Bereken de zwaarte-index door de percentages die vermeld zijn onder de verschillende punten van de **Tabel 13** bij elkaar op te tellen;

02. In de **Grafiek 3** trekt u een verticale lijn van de zo juist gevonden waarde tot aan het snijpunt met de kromme; vanaf dit punt trekt u een horizontale lijn totdat u de lijn van de "manoeuvreercycli" kruist. De zo gevonden waarde is de geschatte levensduur van uw product.

De schatting van de levensduur wordt gemaakt op grond van ontwerpberekeningen en de resultaten van op de prototypes uitgevoerde tests. Aangezien het een schatting betreft, kan deze waarde geen enkele garantie bieden voor de effectieve levensduur van het product.

Voorbeeld van berekening van de duur van een reductiemotor HYKE met arm met GEHELE lengte (zie Tabel 13 en Grafiek 3):

- lengte van de vleugel = 2,8 m (zwaarte-index: 20%); - gewicht van de vleugel: 230 kg (zwaarte-index: 20%); - blinde vleugel (zwaarte-index: 15%); **Totale zwaarte-index = 55%**; **Geschatte levensduur = 220.000 manoeuvreercycli**



TABEL 13

		Zwaarte-index	
		arm GEHELE lengte	arm GEREDUCEERDE lengte
Lengte van de vleugel	< 1,8	0%	15%
	1,8 - 2,5 m	15%	20%
	2,5 - 3 m	20%	30%
	3 - 3,5 m	30%	-
Gewicht van de vleugel	< 200 kg	0%	30%
	200 + 250 kg	20%	40%
	> 250 kg	30%	-
Omgevingstemperatuur hoger dan 40°C of lager dan 0°C of vochtigheidsgraad boven de 80%		20%	20%
Blinde vleugel		15%	20%
Installatie in winderig gebied		15%	20%

Opmerkin – De gegevens hebben betrekking op een gebalanceerde sectionaalpoort in perfecte staat van onderhoud

TECHNISCHE GEGEVENS VAN HET PRODUCT

WAARSCHUWINGEN: • Alle vermelde technische kenmerken hebben betrekking op een omgevingstemperatuur van 20°C (± 5°C). • Nice S.p.a. behoudt zich het recht voor om, op elk moment dat dit noodzakelijk geacht wordt, wijzigingen aan het product aan te brengen, waarbij hoe dan ook de functionaliteit en de gebruiksbestemming ervan gelijk blijven.

	HK7024K	HK7024KHS	HK7224K	HK7224KHS
Typologie	Elektromechanische reductiemotor voor automatiseringen van automatische poorten en hekken met gelijkstroommotor, planeetwielvertraging, mechanische ontgrendeling. Ingebouwde besturingseenheid en radio-ontvanger OXI		Elektromechanische reductiemotor voor automatiseringen van automatische poorten en hekken met gelijkstroommotor, planeetwielvertraging, mechanische ontgrendeling.	
Maximumkoppel	500 Nm			
Nominaal koppel	120 Nm			
Snelheid bij nullast	1.5 RPM	2 RPM	1.5 RPM	2 RPM
Maximumfrequentie van de cycli	40 cycli/uur			
Maximale ononderbroken cyclustijd	ongeveer 7 minuten			
Gebruikslimieten	het product kan gebruikt worden op poorten met een vleugel met een gewicht tot 330 kg of voor lengtes tot 3.5 m	het product kan gebruikt worden op poorten met een vleugel met een gewicht tot 270 kg of voor lengtes tot 3 m	het product kan gebruikt worden op poorten met een vleugel met een gewicht tot 330 kg of voor lengtes tot 3.5 m	het product kan gebruikt worden op poorten met een vleugel met een gewicht tot 270 kg of voor lengtes tot 3 m
Duur	geschat tussen 150.000 cycli en 500.000 cycli, volgens de condities die vermeld zijn in Tabel 13 en Grafiek 3			
Voeding	230 Vac ±10%; 50/60 Hz		24 Vdc (±10%)	
Noodvoeding	aansluitmogelijkheid voor bufferbatterijen PS124			
Voeding met zonnepanelen	aansluitmogelijkheid voor set SYKCE			
Maximaal opgenomen vermogen	300 W		140 W	
Maximaal opgenomen stroom	1,5 A (3 A voor uitvoering HK7024K/V1)		6 A gedurende maximaal 2 s	
Opgenomen vermogen in de modus "Standby-Alles" met voeding via PS124 of set SYKCE (inclusief de ontvanger OXI)	minder dan 100 mW			
Uitgang knipperlicht [*]	1 knipperlicht LUCYB (lamp 12 V, 21 W)			
Uitgang elektrisch slot [*]	1 elektrisch slot van 12 Vac max 15 VA			
Uitgang lamp poort open [*]	1 lamp 24 V maximaal 4 W (de uitgangsspanning kan schommelen tussen -30 en +50%, de uitgang kan ook kleine relais aansturen)			
Uscita BLUEBUS	1 uitgang met maximale belasting van 15 Bluebus units (maximaal 6 stellen fotocellen MOFB of MOFOB plus 2 stellen fotocellen MOFB of MOFOB geadresseerd als openingsinrichtingen plus maximaal 4 bedieningsinrichtingen MOMB of MOTB)			
Ingang STOP	voor normaal gesloten contacten, normaal geopende contacten of contacten met constante weerstand 8,2 kΩ; de selectie van het contacttype geschiedt in zelflering en een verandering ten opzichte van de opgeslagen status veroorzaakt de bedieningsinstructie "STOP"			
Ingang PP	voor normaal open contacten (sluiting van het contact veroorzaakt de instructie Stap-voor-stap)			
Aansluiting radio	connector SM voor ontvangers van de familie SMXI, OXI en OXIFM			
Ingang ANTENNE radio	50 Ω voor kabel type RG58 of soortgelijk			
Programmeerbare functies	8 functies van het type ON-OFF (Tabel 3) en 8 instelbare functies (Tabel 5)			
Functies in zelflering	<ul style="list-style-type: none"> • Zelflering van de inrichtingen die zijn verbonden met de BlueBus uitgang. • Zelflering van het type inrichting dat verbonden is met de klem "STOP" (contact NA, NC of weerstand 8,2 kΩ). • Zelflering van de beweging van de vleugels en automatische berekening van de vertragingpunten en de gedeeltelijke opening • Zelflering van de werking met één of twee motoren 			
Montage	In verticale stand, met een speciale bevestigingsplaat			
Bedrijfstemperatuur	van -20°C tot +50°C (bij lage temperaturen zal de efficiëntie van de reductiemotor afnemen)			
Gebruik in bijzonder zure, zoute of potentieel explosieve omgeving	NEE			
Beschermingsklasse	IP 54 (met intacte kast)			
Afmetingen (mm)	210 x 290 x 320 h			
Gewicht (kg)	10.5;		9.5	
<p>[*] - De uitgangen Knipperlicht, Elektrisch slot, Lampje Poort Open kunnen met andere functies geprogrammeerd worden (zie "TABEL 3 - Functies 1" niveau of via Oview programmeereenheid, zie hoofdstuk 8.3). De elektrische kenmerken van de uitgangen passen zich aan het gekozen functietype aan: • functie knipperlicht: lampje 12 Vdc, 21 W max; • functie elektrisch slot: 12 Vac 15 VA max; • andere uitgangen (alle types): 1 lampje of relais 24Vdc (-30 en +50%), 4 W max.</p>				

EG-VERKLARING VAN OVEREENSTEMMING en verklaring van inbouw van "niet-voltooid machine" (een samenstel dat bijna een machine vormt)

Verklaring in overeenstemming met de Richtlijnen: 2006/95/CE (LVD); 2004/108/CE (EMC); 2006/42/CE (MD) bijlage II, deel B

Opmerking - De inhoud van deze verklaring stemt overeen met hetgeen verklaard is in de laatste revisie die beschikbaar was voor het ter perse gaan van deze handleiding, van het officiële document dat is neergelegd bij de vestiging van Nice Spa. Deze tekst werd om uitgeversredenen heraangepast. U kunt voor een exemplaar van de originele verklaring aanvragen bij Nice S.p.a. (TV) I.

Nummer verklaring: 334/HYKE

Revisie: 4

Taal: NL

Naam fabrikant: NICE s.p.a.
Adres: Via Pezza Alta 13, Z.I. Rustignè, 31046 Oderzo (TV) Italië
Persoon die gemachtigd is om de technische documentatie samen te stellen: NICE s.p.a.
Producttype: Elektromechanische reductiemotor "HYKE" met ingebouwde besturingseenheid
Model / type: HK7024, HK7224, HK7024HS, HK7224HS
Accessoires: SMXI, OXI, PS124, Oview

Ondergetekende Mauro Sordini in de hoedanigheid van Chief Executive Officer, verklaart onder zijn eigen verantwoordelijkheid dat het hierboven beschreven product voldoet aan de bepalingen uit de volgende richtlijnen:

- RICHTLIJN 2004/108/EG VAN HET EUROPESE PARLEMENT EN DE RAAD van 15 december 2004 met betrekking tot de onderlinge aanpassing van de wetgevingen van de Lidstaten met betrekking tot de elektromagnetische compatibiliteit waarmee de richtlijn 89/336/EEG wordt afgeschaft, volgens de volgende geharmoniseerde normen:
EN 61000-6-2:2005, EN 61000-6-3:2007+A1:2011

Daarnaast voldoet het product aan de volgende richtlijn volgens de vereisten die voorzien zijn voor "niet-voltooid machines" (samenstellen die bijna een machine vormen):

- Richtlijn 2006/42/EG VAN HET EUROPESE PARLEMENT EN VAN DE RAAD van 17 mei 2006 met betrekking tot machines, die de richtlijn 95/16/EG wijzigt (herschikking), volgens de volgende geharmoniseerde normen:
EN 13849-1:2008, EN 13849-2:2008.
- Wij verklaren dat de relevante technische documentatie werd opgesteld in overeenstemming met de bijlage VII B van de richtlijn 2006/42/EG en dat aan de volgende fundamentele vereisten werd voldaan: 1.1- 1.1.2- 1.1.3- 1.2.1-1.2.6- 1.5.1-1.5.2- 1.5.5- 1.5.6- 1.5.7- 1.5.8- 1.5.10- 1.5.11
- De fabrikant zal aan de landelijke autoriteiten, in antwoord op een gemotiveerd verzoek, de informatie doorgegeven die betrekking heeft op de "niet-voltooid machine", met volledig behoud van de eigen rechten van intellectueel eigendom.
- Wanneer de "niet-voltooid machine" in bedrijf wordt gesteld in een Europees land waar de officiële voertaal anders is dan de taal die in deze verklaring wordt gebruikt, is de importeur verplicht om bij deze verklaring een vertaling ervan te voegen.
- De "niet-voltooid machine" mag pas in werking worden gesteld wanneer de uiteindelijke machine waarin hij zal worden opgenomen op zijn beurt conform de voorschriften van de richtlijn 2006/42/EG is verklaard.

Het product voldoet bovendien aan de volgende normen:

EN 60335-1:2002 + A1:2004 + A11:2004 + A12:2006 + A2:2006 + A13:2008 + A14:2010 + A15:2011
EN 60335-2-103:2003+A11:2009

Het product voldoet, waar van toepassing, aan de hierop volgende normen:

EN 13241-1:2003+A1:2011, EN 12445:2002, EN 12453:2002, EN 12978:2003+A1:2009

Oderzo, 5 november 2014

Ing. Mauro Sordini (Chief Executive Officer)



Before using the automation system for the first time, allow the installer to explain the origin of the residual risks and take a few minutes to read this instruction manual and the warnings for the user which the installer has handed you. Keep this manual in a safe place for future reference and hand it over to any new owner of the automation system.

IMPORTANT! – Your automation system is a machine which performs the commands you send it; improper and careless use could make it become dangerous:

- **Do not operate the movement of the automation system if people, animals or objects lie in its range of action.**
- **It is strictly forbidden to touch parts of the automation system while the gate or door are in motion!**
- **The photocells are not a safety device but one that is auxiliary to safety. They are built with high reliability technology but they may, under extreme circumstances, malfunction or indeed fail and, in some cases, the failure may not immediately be visible. For these reasons, please observe the following warnings when using the automation system:**
 - **Transit is only permitted if the gate or door is completely open and with the leaves at a standstill**
 - **IT IS STRICTLY FORBIDDEN to transit while the gate or door is closing!**
 - **Ensure the photocells are working properly on a regular basis.**

• **Children:** an automation system guarantees a high level of safety; indeed, thanks to its detection systems, it controls and guarantees movement in the presence of people or objects. It is however prudent to forbid children from touching or playing near the automation system and not to leave remote controls within their reach to avoid involuntary activation: **it is not a game!**

• The product is not intended for use by persons, including children, with limited physical, sensory or mental capacities, or who lack experience or knowledge, unless supervised or trained in the use of the product by a person responsible for their safety.

• **Faults:** if an operating fault is detected in the automation system, cut off the electricity supply to the automation system and release the gearmotor manually (see respective instruction manual) to operate the gate manually. Do not perform any repair work but contact your regular installer for assistance.

• **Do not change the system or the programming and adjustment parameters of the control unit: this lies within the area of responsibility of your installer.**

• **Breakage or lack of power supply:** while waiting for your installer to call by or for the power supply to be re-established, if the system is not equipped with a back-up battery, the automation system can still be used: simply perform the manual release of the gearmotor (see the respective instruction manual) and move the gate leaf manually as required.

• **Safety devices out of order:** the automation system can still work when a safety device doesn't work properly or is out of order. The gate can be controlled in "push to run" mode as follows:

- 01.** Send a command to operate the gate, using a transmitter or key selector, etc. If everything is working properly, the gate will move normally, otherwise proceed as follows:
- 02.** Within 3 seconds, send the command again and keep it activated;
- 03.** After approximately 2 seconds, the gate will perform the manoeuvre requested in "push to run" mode; i.e. the gate will continue to move only for as long as the command is activated.

N.B.! – If the safety devices are out of order, we recommend you have them repaired as soon as possible by qualified experts.

• The testing, routine maintenance and any repair work must be documented by the person who carries out the work; the documents must be kept by the owner of the system. The only operations that the user can perform regularly are the cleaning of the glass covers of the photocells (use a slightly damp soft cloth) and the removal of any leaves or pebbles which could hamper the automation system. **Important** – Before going ahead, to prevent someone from being able to activate the gate inadvertently, release the gearmotor manually (see the respective instruction manual).

• **Maintenance:** in order to keep the safety level constant and to guarantee the maximum life span of the entire automation system, regular maintenance (at least every 6 months) is vital. **All control, maintenance or repair operations must only be carried out by qualified experts.**

• **Disposal:** at the end of the life span of the automation system, make sure that it is dismantled by qualified experts and that the materials are disposed of in accordance with the applicable local regulations.

• **If the automation system was secured with the command "Secure automation system":** after a command is sent, the gate does not move and the flashing light emits 9 brief flashes.

SECURING AND RELEASING THE GEARMOTOR MANUALLY

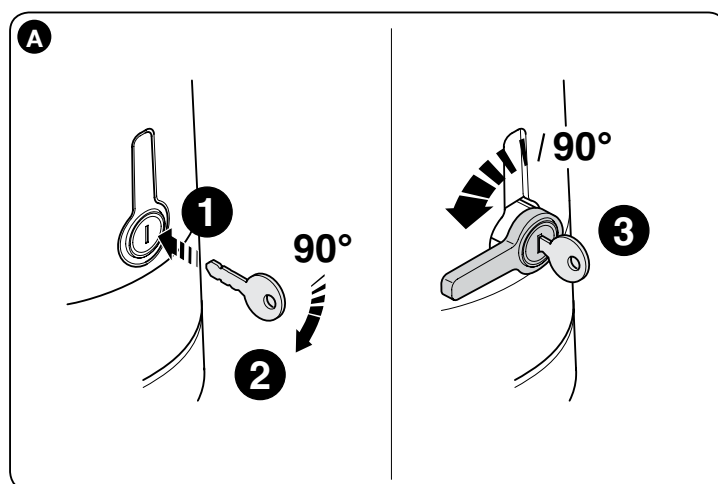
The gearmotor is equipped with a mechanical system which allows the gate to be opened and closed manually.

These manual operations are required in the event of power cuts and operational faults.

Note - When there is no electrical power, the gate can still be moved using power from the back-up battery (mod. PS424), if included in your system.

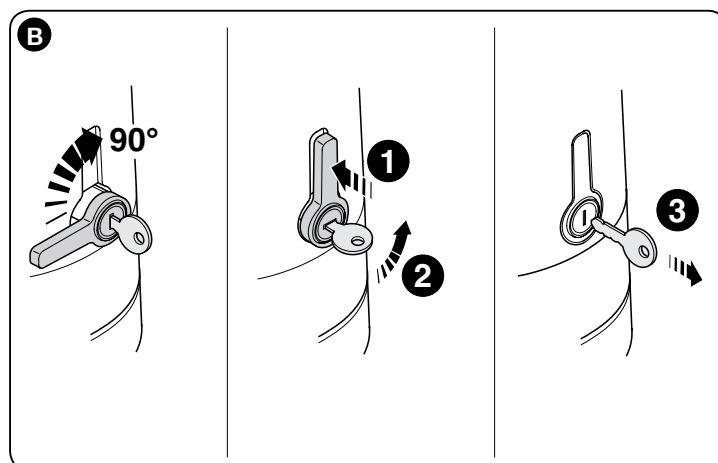
Release (fig. A):

- 01.** Insert the key in the relative lock;
- 02.** Turn the key clockwise (90°);
- 03.** The lever comes out under action of a spring: turn the lever anti-clockwise through 90°;
- 04.** At this point the leaf can be moved manually to the required position.



Lock (fig. B):

- 01.** Turn the lever through 90° to place the stem in a vertical position;
- 02.** Push the lever back into its seat;
- 03.** Turn the key anti-clockwise through 90° and remove.



Istruzioni ed avvertenze destinate all'utilizzatore

Prima di usare per la prima volta l'automazione, fatevi spiegare dall'installatore l'origine dei rischi residui e dedicate qualche minuto alla lettura di questo manuale d'istruzioni ed avvertenze per l'utilizzatore, consegnatovi dall'installatore. Conservate il manuale per ogni dubbio futuro e consegnatelo ad un eventuale nuovo proprietario dell'automazione.

ATTENZIONE! – La vostra automazione è un macchinario che esegue fedelmente i vostri comandi; un uso incosciente ed improprio può farlo diventare pericoloso:

– **Non comandate il movimento dell'automazione se nel suo raggio di azione si trovano persone, animali o cose.**

– **È assolutamente vietato toccare parti dell'automazione mentre il cancello o il portone è in movimento!**

– **Le fotocellule non sono un dispositivo di sicurezza ma soltanto un dispositivo ausiliario alla sicurezza. Sono costruite con tecnologia ad altissima affidabilità ma possono, in situazioni estreme, subire malfunzionamenti o addirittura guastarsi e, in certi casi, il guasto potrebbe non essere subito evidente. Per questi motivi, durante l'utilizzo dell'automazione è necessario fare attenzione alle seguenti avvertenze:**

– **Il transito è consentito solo se il cancello o portone è completamente aperto e con le ante ferme**

– **È ASSOLUTAMENTE VIETATO transitare mentre il cancello o il portone si sta chiudendo!**

– **Verificare periodicamente il corretto funzionamento delle fotocellule.**

• **Bambini:** un impianto di automazione garantisce un alto grado di sicurezza; infatti, con i suoi sistemi di rilevazione controlla e garantisce il suo movimento in presenza di persone o cose. È comunque prudente vietare ai bambini di giocare in prossimità dell'automazione e non lasciare i telecomandi alla loro portata per evitare attivazioni involontarie: **non è un gioco!**

• Il prodotto non è destinato ad essere utilizzato da persone (bambini compresi) le cui capacità fisiche, sensoriali o mentali siano ridotte, oppure con mancanza di esperienza o di conoscenza, a meno che esse abbiano potuto beneficiare, attraverso l'intermediazione di una persona responsabile della loro sicurezza, di una sorveglianza o di istruzioni riguardanti l'uso del prodotto.

• **Anomalie:** se viene notato un qualunque comportamento anomalo dell'automazione, togliere l'alimentazione elettrica all'impianto ed eseguire lo sblocco manuale del motoriduttore (vedere rispettivo manuale istruzioni) per far funzionare manualmente il cancello. Non effettuare alcuna riparazione ma richiedere l'intervento del vostro installatore di fiducia.

• **Non modificare l'impianto e i parametri di programmazione e di regolazione della centrale di comando: la responsabilità è del vostro installatore.**

• **Rottura o assenza di alimentazione:** in attesa dell'intervento del vostro installatore o del ritorno dell'energia elettrica, se l'impianto non è dotato di batterie tampone, l'automazione può essere ugualmente utilizzata: occorre eseguire lo sblocco manuale del motoriduttore (vedere rispettivo manuale istruzioni) e muovere l'anta del cancello manualmente come si desidera.

• **Dispositivi di sicurezza fuori uso:** è possibile far funzionare l'automazione anche quando qualche dispositivo di sicurezza non funziona correttamente oppure è fuori uso. È possibile comandare il cancello in modalità "uomo presente" procedendo nel modo seguente:

01. Inviare un comando per azionare il cancello, con un trasmettitore oppure con un selettore a chiave, ecc. Se tutto funziona correttamente il cancello si muoverà regolarmente, altrimenti procedere come di seguito:

02. Entro 3 secondi, azionare nuovamente il comando e mantenerlo azionato;

03. Dopo 2 secondi circa, il cancello effettuerà la manovra richiesta in modalità "uomo presente"; cioè, il cancello continuerà a muoversi solo fino a quando verrà mantenuto azionato il comando.

IMPORTANTE! – Se i dispositivi di sicurezza sono fuori uso, si consiglia di far eseguire la riparazione al più presto, da un tecnico qualificato.

• Il collaudo, le manutenzioni periodiche e le eventuali riparazioni devono essere documentate da chi esegue il lavoro; i documenti devono essere conservati dal proprietario dell'impianto. Gli unici interventi che l'utilizzatore può eseguire periodicamente, sono la pulizia dei vetri delle fotocellule (utilizzare un panno morbido e leggermente umido) e la rimozione di eventuali foglie o sassi che potrebbero ostacolare l'automatismo. **Importante** – Prima di procedere, per impedire che qualcuno possa azionare inavvertitamente il cancello, sbloccare manualmente il motoriduttore (vedere rispettivo manuale istruzioni).

• **Manutenzione:** per mantenere costante il livello di sicurezza e per garantire la massima durata dell'intera automazione è necessaria una manutenzione regolare (almeno ogni 6 mesi). **Qualunque intervento di controllo, manutenzione o riparazione deve essere eseguito solo da personale qualificato.**

• **Smaltimento:** al termine della vita dell'automazione, assicuratevi che lo smantellamento sia eseguito da personale qualificato e che i materiali vengano riciclati o smaltiti secondo le norme valide a livello locale.

• **Se l'automazione è stata bloccata con il comando "Blocca automazione":** dopo l'invio di un comando, il cancello non si muove ed il lampeggiante emette 9 brevi lampeggi.

SBLOCCARE E BLOCCARE MANUALMENTE IL MOTORIDUTTORE

Il motoriduttore è dotato di un sistema meccanico che consente di aprire e chiudere il cancello manualmente.

Queste operazioni manuali devono essere eseguite nei casi di mancanza di corrente elettrica, anomalie di funzionamento.

Nota - In caso di mancanza di corrente elettrica, per muovere il cancello è possibile usufruire anche dell'energia fornita dalla batteria tampone (mod. PS424), se questa è presente nell'impianto.

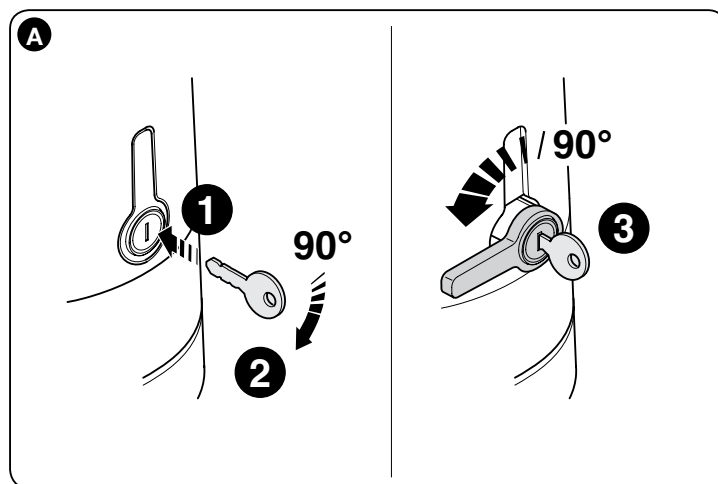
Sbloccare (fig. A):

01. Inserire la chiave nell'apposita serratura;

02. Ruotare la chiave in senso orario (90°);

03. Per effetto di una molla, esce la leva: ruotare la leva di 90° in senso antiorario;

04. A questo punto, è possibile muovere manualmente l'anta nella posizione desiderata.

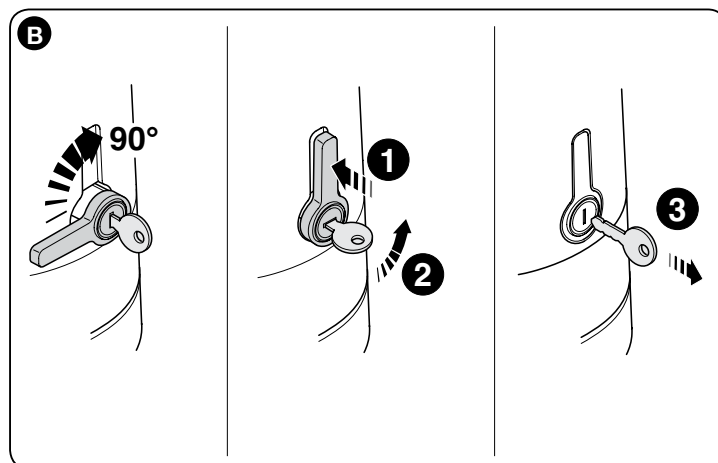


Bloccare (fig. B):

01. Ruotare la leva di 90° ponendo il gambo in posizione verticale;

02. Spingere la leva fino alla sua sede;

03. Ruotare la chiave di 90° in senso antiorario ed estrarre la chiave.



Instructions et recommandations destinées à l'utilisateur

Avant d'utiliser pour la première fois l'automatisation, se faire expliquer par l'installateur l'origine des risques résiduels et dédier quelques minutes à la lecture de ce manuel d'instructions et recommandations pour l'utilisateur, fourni par l'installateur. Conserver le manuel pour chaque doute futur et le transmettre à un éventuel nouveau propriétaire de l'automatisation.

ATTENTION ! – L'automatisation est une machine qui effectue fidèlement vos commandes ; une utilisation inconsciente et incorrecte peut le rendre dangereux :

– **Ne pas commander le mouvement de l'automatisation si dans son rayon d'action se trouvent des personnes, des animaux ou des choses.**

– **Il est absolument interdit de toucher des parties de l'automatisation tandis que le portail est en mouvement !**

– **Les photocellules ne sont pas un dispositif de sécurité mais seulement un dispositif de support pour la sécurité. Elles sont construites avec une technologie extrêmement fiable mais peuvent, dans des cas extrêmes, subir des dysfonctionnements ou même s'endommager et la panne pourrait ne pas être tout de suite évidente. Pour ces raisons, durant l'utilisation de l'automatisation faire attention aux recommandations suivantes :**

- **Le transit n'est permis que si le portail est complètement ouvert avec les vantaux à l'arrêt**
- **IL EST ABSOLUMENT INTERDIT de transiter alors que le portail est en train de se fermer !**
- **Contrôler périodiquement le correct fonctionnement des photocellules.**

• **Enfants** : une installation d'automatisation garantit un haut degré de sécurité ; en effet, avec ses systèmes de détection elle contrôle et garantit son mouvement en présence de personnes ou de choses. Il est toutefois prudent d'interdire aux enfants de jouer à proximité de l'automatisation et de ne pas laisser les télécommandes à leur portée afin d'éviter des activations involontaires : **ce n'est pas un jeu !**

• Le produit n'est pas destiné à être utilisé par des personnes (enfants compris) dont les capacités physiques, sensorielles ou mentales sont réduites ou manquant d'expérience ou de connaissance, à moins que celles-ci n'aient pu bénéficier, à travers l'intermédiation d'une personne responsable de leur sécurité, d'une surveillance ou d'instructions concernant l'utilisation du produit.

• **Anomalies** : en cas de comportement anormal de l'automatisation, couper l'alimentation électrique de l'installation et effectuer le déblocage manuel de l'opérateur (voir manuel d'instructions respectif) pour faire fonctionner manuellement le portail. N'effectuer aucune réparation mais demander l'intervention de l'installateur de confiance.

• **Ne pas modifier l'installation et les paramètres de programmation et de réglage de la centrale de commande : la responsabilité est de l'installateur.**

• **Rupture et absence d'alimentation** : en attendant l'intervention de l'installateur ou du retour de l'énergie électrique, si l'installation est équipée de batterie tampon, l'automatisation peut quand même être utilisée : il faut effectuer le déblocage manuel de l'opérateur (voir manuel d'instructions respectif) et déplacer le vantail manuellement comme on le souhaite.

• **Dispositifs de sécurité hors service** : il est possible de faire fonctionner l'automatisation même lorsque certains dispositifs de sécurité ne fonctionnent pas correctement ou sont hors service. Il est possible de commander le portail en modalité "homme présent" en procédant de la manière suivante :

01. Envoyer une commande pour actionner le portail, avec un émetteur ou un sélecteur à clé, etc. Si tout fonctionne correctement, le portail se déplacera régulièrement, sinon procéder comme suit ;
02. Dans les 3 secondes qui suivent, actionner de nouveau la commande et la maintenir actionnée ;
03. Après environ 2 secondes, le portail effectuera la manœuvre requise en modalité "homme présent" ; le portail ne continuera donc à se déplacer que lorsque la commande est maintenue actionnée.

IMPORTANT ! – Si les dispositifs de sécurité sont hors service, il est conseillé de les faire réparer le plus rapidement possible par un technicien qualifié.

• L'essai, les opérations périodiques de maintenance et les éventuelles réparations doivent être documentées par la personne qui effectue le travail ; les documents doivent être conservés par le propriétaire de l'installation. Les seules interventions que l'utilisateur peut effectuer périodiquement sont l'entretien des vitres des photocellules (utiliser un chiffon doux et légèrement humide) et l'élimination d'éventuelles feuilles ou de cailloux qui pourraient empêcher l'automatisme. **Important** – Avant de procéder et afin d'empêcher que quelqu'un puisse actionner accidentellement le portail, débloquent manuellement l'opérateur (voir le respectif manuel d'instructions).

• **Maintenance** : pour maintenir constant le niveau de sécurité et pour garantir la durée maximale de toute l'automatisation, une maintenance régulière est nécessaire (au moins tous les 6 mois). **Toute intervention de contrôle, maintenance ou réparation ne doit être effectuée que par un personnel qualifié.**

• **Mise au rebut** : à la fin de la vie de l'automatisation, s'assurer que le démantèlement soit effectué par un personnel qualifié et que les matériaux soient recyclés ou éliminés conformément aux normes en vigueur au niveau local.

• **Si l'automatisation a été bloquée avec la commande "Blocage automatisation"** : après l'envoi d'une commande, le portail ne se déplace pas et le clignotant émet 9 clignotements brefs.

DÉBLOQUER ET BLOQUER MANUELLEMENT L'OPÉRATEUR

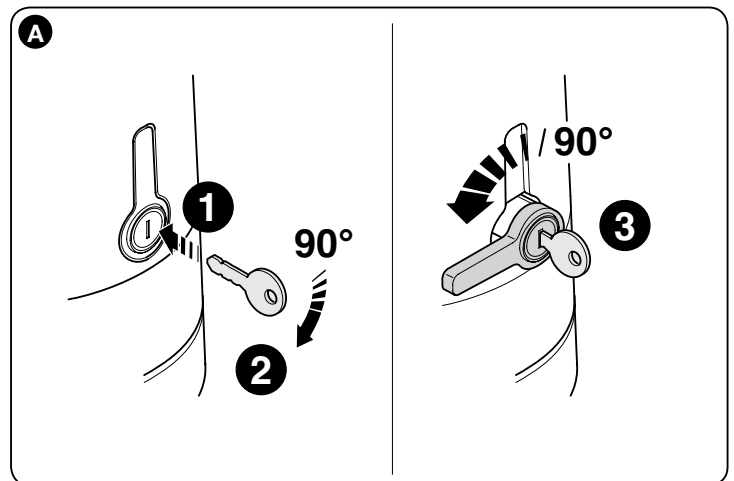
L'opérateur est muni d'un système de mécanique qui permet d'ouvrir et de fermer manuellement le portail.

Ces opérations manuelles doivent être effectuées en cas de coupure de courant électrique ou d'anomalies de fonctionnement.

Note - En cas de coupure de courant électrique, pour déplacer le portail il est possible d'utiliser aussi l'énergie fournie par la batterie tampon (mod. PS424), si celle-ci est présente sur l'installation.

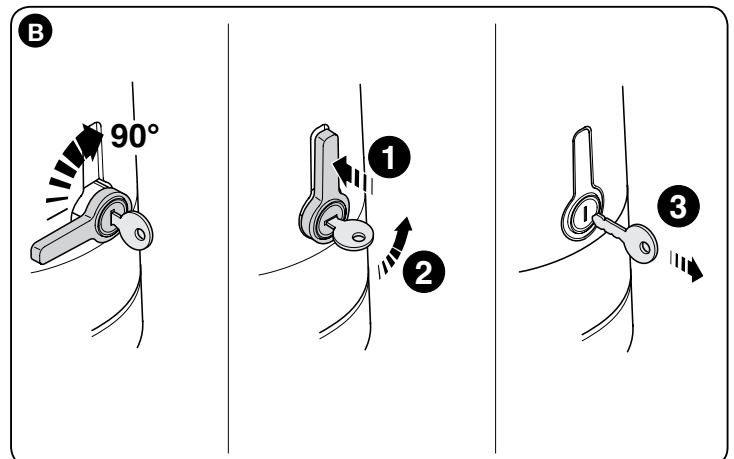
Débrayer (fig. A) :

01. Introduire la clé dans la serrure prévue à cet usage ;
02. Tourner la clé de 90° dans le sens des aiguilles d'une montre ;
03. Mû par un ressort, le levier sort : tourner le levier de 90° dans le sens inverse des aiguilles d'une montre ;
04. Il est alors possible de bouger manuellement le vantail dans la position désirée.



Bloquer (fig. B) :

01. Tourner le levier de 90° en mettant le levier en position verticale ;
02. Pousser le levier jusqu'à son logement ;
03. Tourner la clé de 90° dans le sens inverse des aiguilles d'une montre et retirer la clé.



Instrucciones y advertencias destinadas al usuario

Antes de utilizar el automatismo por primera vez, solicite al instalador que le explique el origen de los riesgos residuales, y dedique algunos minutos a la lectura de este manual de instrucciones y advertencias del usuario que le ha entregado el instalador. Conserve el manual para cualquier duda futura y entréguelo al nuevo propietario en caso de traspaso del automatismo.

¡ATENCIÓN! – Su automatismo es una máquina que lleva a cabo sus órdenes de manera fiel; un uso imprudente e impropio puede hacer que resulte peligroso:

– No accione el movimiento del automatismo si hay personas, animales o cosas en su radio de acción.

– ¡Se prohíbe terminantemente tocar cualquier parte del automatismo mientras la puerta o portón está en movimiento!

– Las fotocélulas no son un dispositivo de seguridad, sino solo un dispositivo de apoyo a la seguridad. A pesar de haber sido fabricadas con tecnología de altísima fiabilidad, en situaciones extremas pueden experimentar fallos de funcionamiento o incluso averiarse; en ciertos casos la avería sufrida podría no resultar evidente. Por estos motivos, durante el uso del automatismo es necesario respetar las siguientes advertencias:

– El tránsito solo está permitido si la puerta o portón está completamente abierta y con las hojas detenidas

– ¡SE PROHÍBE TERMINANTEMENTE el tránsito mientras la puerta o portón se está cerrando!

– Compruebe periódicamente el correcto funcionamiento de las fotocélulas.

• **Niños:** una instalación de automatización garantiza un alto grado de seguridad; de hecho, gracias a sus sistemas de detección, controla y garantiza su movimiento en presencia de personas o cosas. De todos modos, conviene impedir que los niños jueguen cerca del automatismo y mantener los mandos a distancia fuera de su alcance, para evitar activaciones involuntarias: **¡no es un juguete!**

• El producto no está destinado a su uso por parte de personas (niños incluidos) cuyas capacidades físicas, sensoriales o mentales se hallen disminuidas, o que carezcan de la experiencia o conocimientos necesarios, a no ser que una persona responsable de su seguridad les proporcione supervisión o instrucciones acerca del uso del producto.

• **Anomalías:** si se percibe cualquier comportamiento anormal del automatismo, desconecte inmediatamente la alimentación eléctrica de la instalación y desbloquee manualmente el motorreductor (véase el manual de instrucciones correspondiente) para hacer funcionar la puerta manualmente. No efectúe ninguna reparación usted mismo: solicite la intervención de su instalador de confianza.

• **No modifique la instalación ni los parámetros de programación y regulación de la central de mando:** dichas tareas corresponden a su instalador.

• **Rotura o falta de alimentación:** a la espera de la intervención de su instalador o de que se restablezca la energía eléctrica, se puede utilizar la instalación de todos modos, aunque no disponga de batería compensadora: es necesario efectuar el desbloqueo manual del motorreductor (véase el manual de instrucciones correspondiente) y mover manualmente la hoja de la puerta hasta la posición deseada.

• **Dispositivos de seguridad fuera de servicio:** puede hacerse funcionar el automatismo incluso si alguno de los dispositivos de seguridad no funciona correctamente o se encuentra fuera de servicio. Se puede controlar la puerta en modalidad "hombre presente" siguiendo estas instrucciones:

01. Envíe un mando para accionar la puerta, mediante un transmisor o con un selector de llave, etc. Si todo funciona correctamente, la puerta se moverá normalmente; en caso contrario siga estos pasos:

02. Antes de que pasen 3 segundos, vuelva a accionar el mando y manténgalo accionado;

03. Pasados unos 2 segundos, la puerta ejecutará la maniobra solicitada en modalidad "hombre presente"; es decir, la puerta solo se moverá mientras se mantenga accionado el mando.

IMPORTANTE – Si los dispositivos de seguridad se encuentran fuera de servicio, se recomienda encargar su reparación a un técnico cualificado lo antes posible.

• El ensayo, las operaciones de mantenimiento periódico y las posibles reparaciones deberán ser documentadas por quien lleva a cabo las tareas: los documentos deberán ser conservados por el propietario de la instalación. Las únicas intervenciones que puede realizar el usuario periódicamente son la limpieza de los cristales de las fotocélulas (utilice un paño suave y ligeramente humedecido) y la eliminación de posibles hojas o piedras que pudieran suponer un obstáculo para el automatismo. **Importante** – Antes de comenzar las operaciones, para impedir que alguien pueda accionar la puerta inadvertidamente, desbloquee manualmente el motorreductor (véase el manual de instrucciones correspondiente).

• **Mantenimiento:** para mantener constante el nivel de seguridad y garantizar una máxima durabilidad de todo el automatismo, es necesario llevar a cabo un mantenimiento regular (al menos cada 6 meses). **Cualquier intervención de revisión, mantenimiento o reparación deberá ser efectuada solo por personal cualificado.**

• **Eliminación:** al final de la vida útil del automatismo, asegúrese de que el desguace sea realizado por personal cualificado y que los materiales sean reciclados o eliminados conforme a las normas vigentes a nivel local.

• **Si se ha bloqueado el automatismo con el mando "Bloquear automatismo":** tras enviar un mando, la puerta no se mueve y la luz intermitente emite 9 parpadeos breves.

DESBLOQUEO Y BLOQUEO MANUAL DEL MOTORREDUCTOR

El motorreductor incluye un sistema mecánico que permite abrir y cerrar la puerta manualmente.

Estas operaciones manuales deben efectuarse en caso de interrupción de la corriente eléctrica o anomalías de funcionamiento.

Nota - En caso de interrupción de la corriente eléctrica, para mover la puerta se puede utilizar también la energía suministrada por la batería compensadora (mod. PS424), si está incluida en la instalación.

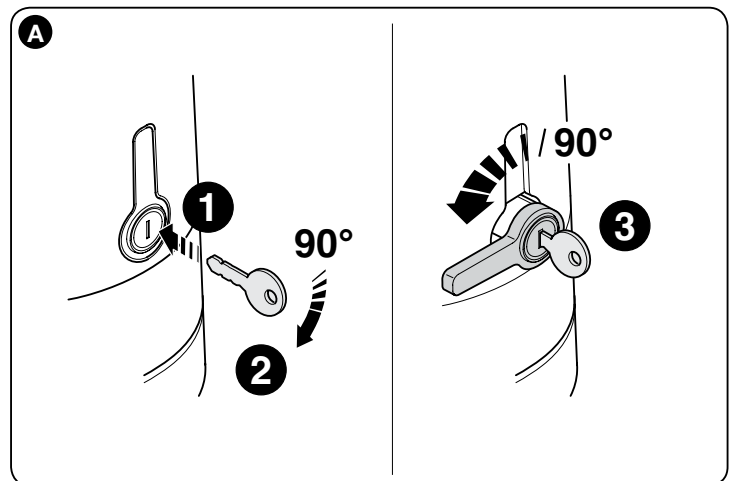
Desbloqueo (fig. A):

01. Coloque la llave en la cerradura respectiva;

02. Gire la llave en el sentido horario (90°);

03. La palanca sale por efecto de un muelle: gire la palanca 90° en el sentido antihorario;

04. Entonces, la hoja se podrá mover manualmente hacia la posición deseada.

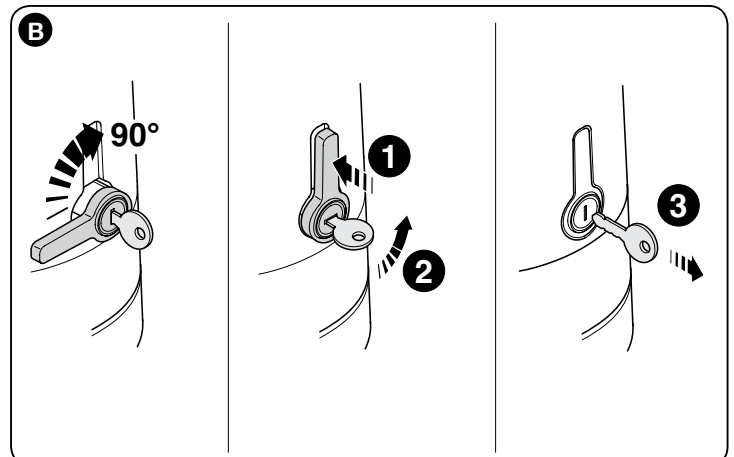


Bloqueo (fig. B):

01. Gire la palanca 90° colocando el mango en la posición vertical;

02. Empuje la palanca hasta su alojamiento;

03. Gire la llave 90° en el sentido antihorario y extraiga la llave.



Anweisungen und Hinweise für den Benutzer

Bevor man zum ersten Mal die Automatisierung benutzt, sich vom Installateur die Ursache der Restgefahren erklären lassen und die Zeit zum Durchlesen dieser Gebrauchsanweisung und der Hinweise für den Benutzer finden, die vom Installateur überlassen wurden. Die Gebrauchsanweisung für ein Nachschlagen bei späteren Zweifeln und für die Weitergabe an einen eventuellen neuen Besitzer der Automatisierung aufbewahren.

ACHTUNG! – Ihre Automatisierung ist ein Gerät, das getreu Ihre Befehle ausführt: ein leichtsinniger und unsachgemäßer Gebrauch kann sie zu einer Gefahrenquelle werden lassen:

- Nicht die Bewegung der Automatisierung veranlassen, wenn sich in ihrem Aktionsradius Personen, Tiere oder Gegenstände befinden.
- Das Berühren der Automatisierungsteile während der Bewegung des Tors oder der Eingangstür ist absolut verboten!
- Die Fotozellen sind keine Sicherheitsvorrichtung, sondern nur eine zusätzliche Einrichtung zur Sicherheit. Sie sind mit einer äußerst zuverlässigen Technologie konstruiert, können aber in extremen Situationen Störungen aufweisen oder beschädigt werden. In einigen Fällen könnte der Schaden nicht sofort bemerkt werden. Aus diesen Gründen müssen während des Gebrauchs der Automatisierung folgende Hinweise beachtet werden:
 - Das Durchqueren ist nur erlaubt, wenn das Tor oder die Eingangstür ganz offen ist und die Flügel stillstehen.
 - Wenn sich das Tor oder die Eingangstür schließt, ist das Durchqueren STRIKT VERBOTEN!
 - Den einwandfreien Betrieb der Fotozellen regelmäßig prüfen.

• **Kinder:** eine Automatisierungsanlage gewährt einen hohen Sicherheitsgrad; mit ihrem Erfassungssystem kontrolliert und garantiert sie ihre Bewegung in Anwesenheit von Personen oder Gegenständen. Als Vorsichtsmaßnahme sollten Kinder nicht in der Nähe der Automatisierung spielen und die Fernbedienungen sollten sich außerhalb ihrer Reichweite befinden, um ungewollte Aktivierungen auszuschließen: **sie sind kein Spielzeug!**

• Das Produkt darf nicht von Personen (einschließlich Kinder) mit eingeschränkten körperlichen, geistigen oder wahrnehmlich gestörten Fähigkeiten oder fehlender Erfahrung oder Kenntnis benutzt werden, es sei denn, eine für ihre Sicherheit verantwortliche Person überwacht sie oder unterweist sie im Gebrauch des Produkts.

• **Störungen:** sobald ein ungewöhnliches Verhalten der Automatisierung auftritt, die Stromversorgung zur Anlage unterbrechen und die manuelle Entriegelung des Getriebes vornehmen (siehe entsprechende Gebrauchsanweisung), damit das Tor im Handbetrieb arbeitet. Nicht reparieren, sondern einen zuverlässigen Installateur verständigen.

• **Die Anlage und die Parameter der Programmierung und der Einstellung des Steuergerätes nicht ändern: hierfür ist der Installateur verantwortlich.**

• **Beschädigung oder Stromausfall:** während man auf den Installateur oder auf die Stromrückkehr wartet, kann die Automatisierung auch wenn keine Pufferbatterie vorhanden ist, trotzdem benutzt werden: von Hand das Getriebe entriegeln (siehe entsprechende Gebrauchsanweisung) und den Torflügel manuell wie gewünscht bewegen.

• **Ausgefallene Sicherheitsvorkehrungen:** die Automatisierung kann auch dann funktionieren, wenn Sicherheitsvorkehrungen nicht funktionieren oder ausgefallen sind. Das Tor kann im Modus "Totmann", bedient werden, dazu wie folgt vorgehen:

01. Mit einem Sender oder einem Schlüsselwahlschalter, usw. einen Befehl zur Betätigung des Tors senden. Wenn alles sachgerecht funktioniert, bewegt sich das Tor ordnungsgemäß, ansonsten wie folgt vorgehen:
02. innerhalb 3 Sekunden den Befehl erneut erteilen und ihn betätigt halten;
03. nach etwa 2 Sekunden führt das Tor das verlangte Manöver im Modus "Totmann" aus; das heißt, das Tor bewegt sich nur so lange wie die Bedienung betätigt wird.

WICHTIG! – Wenn die Sicherheitsvorrichtungen ausgefallen sind, sollten sie so schnell wie möglich von einem qualifizierten Techniker repariert werden.

• Die Endabnahmen, regelmäßigen Wartungen und eventuelle Reparaturen von demjenigen, der die Arbeiten durchführt schriftlich festgehalten werden. Die Schriftstücke müssen vom Anlagenbesitzer aufbewahrt werden. Die einzigen Eingriffe, die der Besitzer regelmäßig durchführen kann, sind die Reinigung der Glasscheiben der Fotozellen (ein weiches und leicht angefeuchtetes Tuch benutzen) und das Entfernen von Blättern und Steinen, die die Automatisierung behindern könnten. **Wichtig** – Zuvor muss das Getriebe von Hand entriegelt werden, damit das Tor nicht unversehens betätigt wird (siehe betreffende Gebrauchsanweisung).

• **Wartung:** Um das Sicherheitsniveau immer beizubehalten und die maximale Haltbarkeit zu gewährleisten ist eine regelmäßige Wartung notwendig (mindestens alle 6 Monate). **Jede Kontrolle, Wartung und Reparatur muss von qualifiziertem Personal durchgeführt werden.**

• **Entsorgung:** Wenn die Automatisierung nicht mehr verwendbar ist, sicher stellen, dass die Zerlegung durch qualifiziertes Personal erfolgt und die Materialien nach den örtlichen, geltenden Bestimmungen wiederverwertet oder entsorgt werden.

• **Falls die Automatisierung mit der Bedienung "Automatisierung blockieren" blockiert wurde:** nach dem Senden eines Befehls bewegt sich das Tor nicht und das Blinklicht blinkt 9-mal kurz auf.

DAS GETRIEBE VON HAND ENTRIEGELN UND BLOCKIEREN

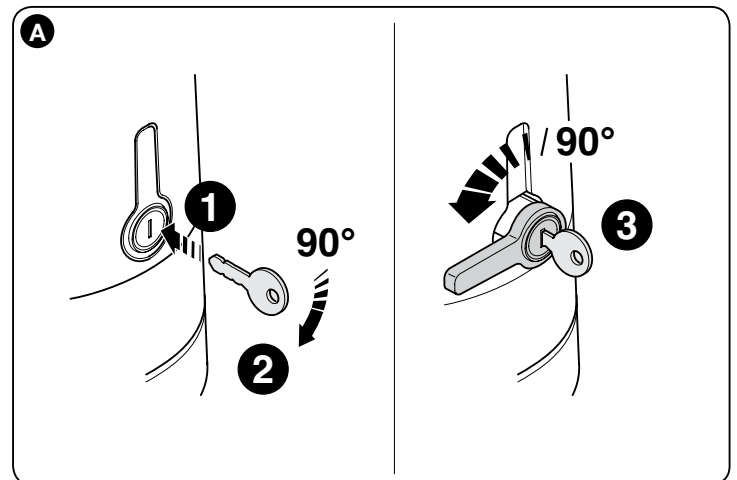
Das Getriebe besitzt ein mechanisches System, mit dem sich das Tor von Hand öffnen und schließen lässt.

Diese Handabläufe sind bei Stromausfall und Betriebsstörungen zu benutzen.

Hinweis - Bei Stromausfall kann man für die Torbewegung auch die Energie aus der Pufferbatterie (Mod.PS424) benutzen, falls sie in die Anlage eingebaut ist.

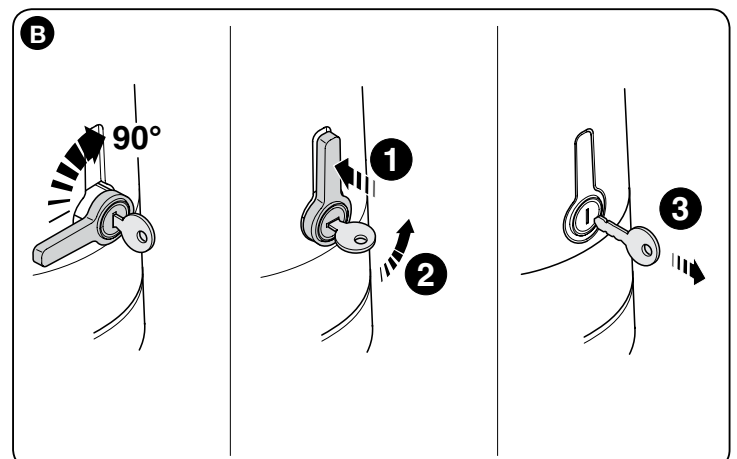
Entriegeln (Abb. A):

01. Den Schlüssel in das Schloss stecken;
02. Den Schlüssel um 90° im Uhrzeigersinn drehen;
03. Durch den Federeffekt kommt der Hebel heraus: Den Hebel um 90° gegen den Uhrzeigersinn drehen;
04. Der Torflügel kann nun von Hand in die gewünschte Stellung verschoben werden.



Sperren (Abb. B):

01. Den Hebel um 90° drehen, wobei der Schaft senkrecht gestellt wird;
02. Den Hebel bis zu seinem Sitz drücken;
03. Den Schlüssel um 90° gegen den Uhrzeigersinn drehen und den Schlüssel herausziehen.



Instrukcje i wskazówki dla użytkownika

Przed pierwszym użyciu automatyki zaleca się poproszenie osoby, która dokonała montażu o wyjaśnienie, jakie zagrożenia mogą pojawić się w czasie użytkowania bramy oraz zaleca się przeznaczenie kilku minut na przeczytanie instrukcji i ostrzeżeń dla użytkownika, przekazanych przez osobę, która dokonała montażu. Instrukcję obsługi należy zachować na przyszłość i przekazać ją ewentualnemu nowemu właścicielowi automatyki.

UWAGA! – Państwa automat jest maszyną, który dokładnie wykonuje Wasze polecenia; niewłaściwe lub nieuprawnione użycie może stać się niebezpieczne:

- Nie sterujcie ruchem bramy, jeśli w jej pobliżu znajdują się osoby, zwierzęta lub przedmioty.
- Bezwzględnie zabrania się dotykania części automatyki, gdy brama lub drzwi są w ruchu!
- Fotokomórki nie są urządzeniami zabezpieczającymi, są wyłącznie pomocniczymi urządzeniami bezpieczeństwa. Zostały skonstruowane w oparciu o technologię o wysokiej niezawodności, w ekstremalnych sytuacjach mogą jednakże funkcjonować nieprawidłowo lub nawet ulec uszkodzeniu, a w niektórych przypadkach uszkodzenie może nie być natychmiast widoczne. Dlatego, w trakcie użytkowania automatyki należy koniecznie postępować zgodnie z następującymi zaleceniami:
 - Przejazd jest dozwolony wyłącznie, jeżeli brama lub drzwi są całkowicie otwarte, a skrzydła unieruchomione.
 - **BEZWZGLĘDNIEM ZABRANIA SIĘ** przejeżdżania podczas kiedy brama lub drzwi zamykają się!
 - Należy okresowo sprawdzać prawidłową pracę fotokomórek.

• **Dzieci:** automata gwarantuje wysoki poziom bezpieczeństwa, a niezawodne fotokomórki uniemożliwiają wykonanie ruchu w obecności osób lub rzeczy. Mimo to lepiej zabronić dzieciom bawienia się w pobliżu automatyki oraz nie zostawiać nigdy pilotów bez nadzoru, aby uniknąć nieumyślnej aktywacji urządzenia: **to nie zabawka!**

• Produkt nie może być użytkowany przez osoby (w tym dzieci) o ograniczeniach fizycznych lub umysłowych, a także przez tych, którzy nie posiadają stosownego doświadczenia lub wiedzy, o ile nie mają możliwości skorzystania z nadzoru lub instrukcji dotyczących użytkowania produktu, za pośrednictwem osób odpowiedzialnych za ich bezpieczeństwo.

• **Anomalie:** w przypadku odnotowania jakichkolwiek anomalii w funkcjonowaniu automatyki należy od razu odłączyć zasilanie i wysprzęglić ręcznie siłownik, (zobacz stosowną instrukcję obsługi), by brama zadziałała w trybie ręcznym. Nie próbować samemu naprawiać urządzenia, lecz zwrócić się o pomoc do zaufanej osoby ds. instalacji.

• **Nie należy modyfikować urządzenia ani parametrów programowania i regulacji centrali sterującej: za te czynności odpowiedzialna jest osoba wykonująca instalację.**

• **Uszkodzenie lub brak zasilania:** podczas oczekiwania na osobę ds. instalacji lub na przywrócenie zasilania, jeśli instalacja nie jest wyposażona w akumulatory rezerwowy, automatyka może być normalnie obsługiwana: w tym celu należy wysprzęglić siłownik (zobacz stosowną instrukcję obsługi) i ręcznie w dowolny sposób poruszyć skrzydłem bramy.

• **Sterowanie przy niesprawnych urządzeniach zabezpieczających:** istnieje możliwość sterowania bramą, nawet wówczas, gdy urządzenia zabezpieczające nie działają prawidłowo. Możliwe jest sterowanie bramy w trybie **“w obecności operatora”**, postępując w sposób następujący:

01. Wybrać polecenie uruchamiające bramę za pomocą nadajnika lub przelącznika kluczykowego, itd. Jeśli wszystko prawidłowo funkcjonuje, brama porusza się regularnie, w przeciwnym razie należy postępować następująco;
02. Przed upływem 3 sekund należy ponownie wybrać polecenie, które ma zostać wykonane;
03. Po ok.2 sekundach, brama wykona manewr wymagany w trybie **“w obecności operatora”**; tzn. brama będzie się poruszać tylko wtedy, gdy wciśnięty będzie przycisk polecenia.

WAŻNE! – Jeśli urządzenia zabezpieczające są niesprawne, zaleca się jak najszybsze wykonanie naprawy przez wykwalifikowanego technika.

• Odbiór techniczny, konserwacje okresowe i ewentualne naprawy muszą być udokumentowane przez osoby wykonujące te czynności; dokumenty muszą być zachowane przez właściciela systemu. Jedyne czynności, które może okresowo wykonywać użytkownik to czyszczenie szyb fotokomórek (użyć miękkiej i lekko wilgotnej ściereczki) i usuwanie ewentualnych liści lub kamieni, które mogłyby przeszkodzić w ruchu bramy. **Ważne** – Przed rozpoczęciem czynności, aby niedopuszczyć do przypadkowego uruchomienia bramy przez kogokolwiek, należy odblokować ręcznie siłownik (zobacz stosowną instrukcję obsługi).

• **Konserwacja:** w celu utrzymania stałego poziomu bezpieczeństwa i zagwa-

rantowania maksymalnej trwałości całego systemu automatyki, konieczna jest regularna konserwacja (przynajmniej co 6 miesięcy). **Wszystkie czynności kontrolne, konserwacyjne lub naprawcze muszą być wykonane jedynie przez wykwalifikowany personel.**

• **Utylizacja:** po zakończeniu żywotności automatyki, czynności związane z demontażem muszą być wykonane przez wykwalifikowany personel, a materiały muszą zostać poddane utylizacji lub mogą zostać powtórnie użyte, zgodnie z obowiązującymi normami lokalnymi.

• **Jeśli automatyka została zablokowana przez polecenie “Zablokuj automatykę”:** po wysłaniu polecenia, brama nie rusza się, a lampa sygnalizacyjna powinna mignąć 9 razy.

ODBLOKOWYWANIE I BLOKOWANIE RĘCZNE SIŁOWNIKA

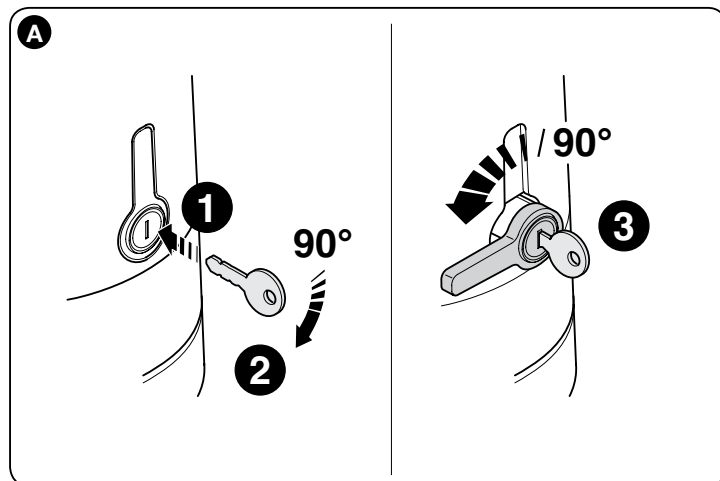
Siłownik jest wyposażony w system mechanicznego wysprzęglenia, umożliwiający ręczną obsługę bramy.

Obsługę ręczną stosujemy w wypadku awarii zasilania lub usterki systemu.

Uwaga - W przypadku kłopotów z zasilaniem do poruszenia bramy można zastosować akumulatory rezerwowy (mod. PS424), o ile występuje w instalacji.

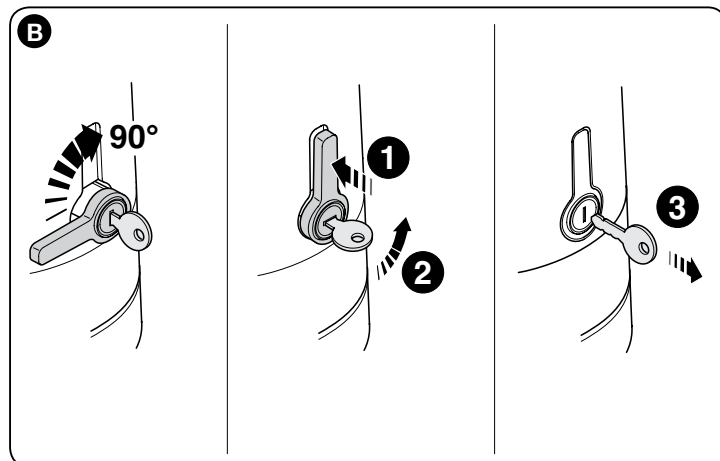
Odblokowanie (rys. A):

01. Włóż klucz do odpowiedniego zamka;
02. Obróć klucz w kierunku zgodnym z ruchem wskazówek (90°);
03. W wyniku działania sprężyny wysuwa się dźwignia: obróć ją o 90° w kierunku przeciwnym do ruchu wskazówek zegara;
04. Teraz będzie możliwe ręczne przesunięcie skrzydła bramy do wybranego położenia.



Blokowanie (rys. B):

01. Obróć dźwignię o 90° ustawiając drążek w pozycji pionowej;
02. Naciśnij dźwignię wprowadzając ją do gniazda;
03. Obróć klucz o 90° w kierunku przeciwnym do ruchu wskazówek zegara i wyjmij.



Instructies en waarschuwingen voor de gebruiker

Voordat u de automatisering voor de eerste keer gebruikt, moet de installateur u de oorsprong van de restrisco's uitleggen. Wijd enkele minuten aan het lezen van deze handleiding en waarschuwingen voor de gebruiker, die de installateur u gegeven heeft. Bewaar deze handleiding om haar ook in de toekomst te kunnen raadplegen en geef haar aan een eventuele nieuwe eigenaar van de automatisering.

LET OP! – Uw automatisering is een machine die op betrouwbare wijze uw opdrachten uitvoert. Door een onverantwoordelijk en oneigenlijk gebruik kan ze gevaarlijk worden:

- **Bedien de beweging van de automatisering niet als zich personen, dieren of voorwerpen binnen haar actieradius bevinden.**
- **Het is strikt verboden aan delen van de automatisering te komen, terwijl het hek of de poort in beweging is!**
- **De fotocellen zijn geen veiligheidsinrichting, maar slechts een hulpmiddel voor de veiligheid. Ze zijn volgens een zeer betrouwbare technologie gemaakt, maar kunnen onder extreme omstandigheden een storing hebben of zelfs kapotgaan en in sommige gevallen kan de storing niet meteen duidelijk zijn. Daarom moet tijdens het gebruik van de automatisering op de volgende waarschuwingen worden gelet:**
 - **De doorgang is alleen toegestaan als het hek of de poort helemaal geopend is en de deuren stilstaan**
 - **HET IS STRIKT VERBODEN het hek of de poort in of uit te gaan, terwijl het sluit!**
 - **Controleer de goede werking van de fotocellen regelmatig.**

• **Kinderen:** een automatisering garandeert een hoge veiligheidsgraad. Door haar detectiesystemen controleert en belet ze de beweging ervan in aanwezigheid van personen of voorwerpen. Het is echter verstandig kinderen te verbieden in de buurt van de automatisering te spelen en de afstandbedieningen buiten hun bereik te houden om ongewenste inschakelingen te vermijden: **het is geen speelgoed!**

• Het is niet de bedoeling dat dit product wordt gebruikt door personen (kinderen hierbij inbegrepen) met verminderde lichamelijke, sensorische of geestelijke vermogens, of zonder voldoende ervaring en kennis, tenzij het onder toezicht van een voor hun veiligheid verantwoordelijke persoon wordt gebruikt, of hen door hem goede instructies zijn gegeven over het gebruik van het product.

• **Storing:** als de automatisering zich ongewoon gedraagt, neemt u de elektrische voeding van de installatie en deblokkeert u de reductiemotor handmatig (zie de bijbehorende handleiding) om het hek handmatig te laten werken. Probeer het hek niet te repareren, maar wend u tot uw vertrouwde installateur.

• **Breng geen wijzigingen aan de installatie en de programmerings- en afstelparameters van de besturingseenheid aan: dit is de verantwoordelijkheid van uw installateur.**

• **Defect of stroomuitval:** in afwachting van de reparatie door uw installateur of tot de stroom terugkomt, kan de automatisering als de installatie geen bufferbatterij heeft toch worden gebruikt: de reductiemotor moet handmatig worden gedeblokkeerd (zie de bijbehorende handleiding). Beweeg de hekdeur met de hand naar wens.

• **Veiligheidsinrichtingen buiten gebruik:** u kunt de automatisering toch laten werken, ook als een veiligheidsinrichting het niet goed of helemaal niet doet. Het hek kan ook op de “**dodemanstand**” worden bestuurd, door als volgt te handelen:

01. Stuur een opdracht met een zender of een sleutelschakelaar, enz. om het hek in te schakelen. Als alles goed werkt, beweegt het hek zich regelmatig. Handel anders als volgt:
02. schakel de besturing binnen 3 seconden nogmaals in en houd ze ingeschakeld;
03. Na ongeveer 2 seconden verricht het hek de manoeuvre die op de “**dodemanstand**” gevraagd is en d.w.z. dat het hek zich alleen blijft bewegen, zolang de besturing ingeschakeld wordt gehouden.

BELANGRIJK! – Als de veiligheidsinrichtingen buiten gebruik zijn, wordt aangeraden ze zo gauw mogelijk door een vakman te laten repareren.

• De test, het periodieke onderhoud en de eventuele reparaties moeten worden gedocumenteerd door degene die het werk verricht. De papieren moeten door de eigenaar van de installatie worden bewaard. De enige ingrepen die de gebruiker periodiek kan verrichten, zijn het schoonmaken van het glas van de fotocellen (gebruik een zachte, lichtelijk vochtige doek) en het verwijderen van eventuele bladeren of stenen, die het automatische systeem kunnen belemmeren. **Belangrijk** – Voordat u begint, deblokkeert u de reductiemotor handmatig (zie de bijbehorende handleiding) om te voorkomen dat iemand het hek per ongeluk in werking kan stellen.

• **Onderhoud:** om het veiligheidsniveau constant te houden en een maximale

levensduur van de hele automatisering te garanderen, is regelmatig onderhoud nodig (minstens om de 6 maanden).

Alle controles, onderhoud, of reparaties mogen alleen door vakmensen worden verricht.

• **Afdanken:** aan het einde van het leven van de automatisering moet u zich ervan verzekeren, dat de ontmanteling door vakmensen wordt verricht en dat de materialen volgens de geldende lokale voorschriften worden gerecycled of afgedankt.

• **Als de automatisering met de bediening “Automatisering blokkeren” is geblokkeerd:** na een opdracht te hebben verstuurd, beweegt het hek zich niet en knippert het knipperlicht 9 keer kort.

DE REDUCTIEMOTOR HANDMATIG DEBLOKKEREN EN BLOKKEREN

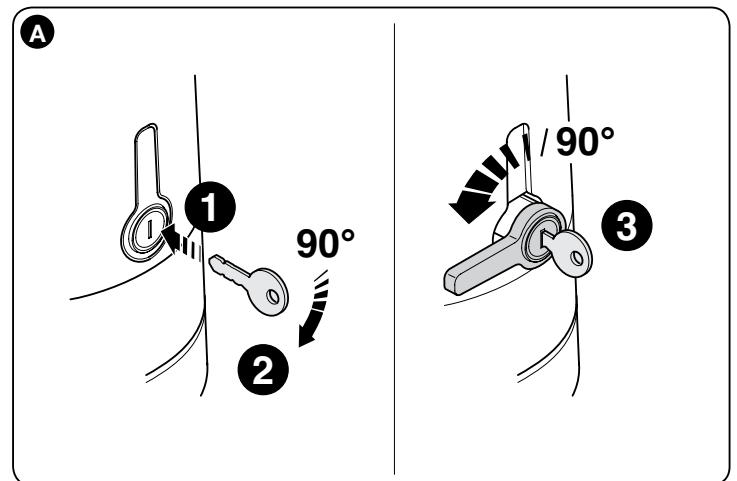
De reductiemotor is voorzien van een mechanisch systeem, waarmee het hek met de hand kan worden geopend en gesloten.

Deze handmatige handelingen moeten worden verricht als de stroom is uitgevallen en bij storingen in de werking.

Opmerking - Om het hek te verplaatsen als de stroom is uitgevallen, kan ook gebruik gemaakt worden van de energie van de bufferbatterij (mod. PS424), als deze zich in de installatie bevindt.

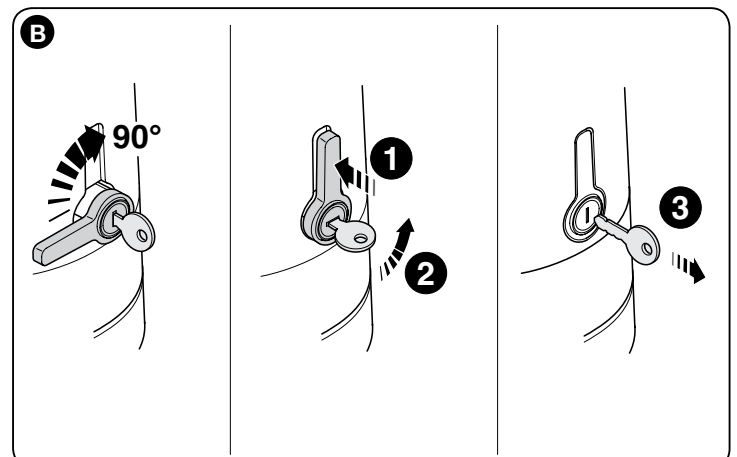
Ontgrendelen (afb. A):

01. Steek de sleutel in het slot;
02. Draai de sleutel met de klok mee (90°);
03. Door de werking van een veer, komt de hendel naar buiten: draai de hendel 90° tegen de klok in;
04. Op dit punt is het mogelijk de vleugel met de hand in de gewenste positie te zetten.



Vergrendelen (afb. B):

01. Draai de hendel 90° door de poot in verticale stand te zetten;
02. Duw tegen de hendel tot hij in zijn behuizing zit;
03. Draai de sleutel 90° met de klok mee en trek hem eruit.





Nice SpA
Oderzo TV Italia
info@niceforyou.com

www.niceforyou.com