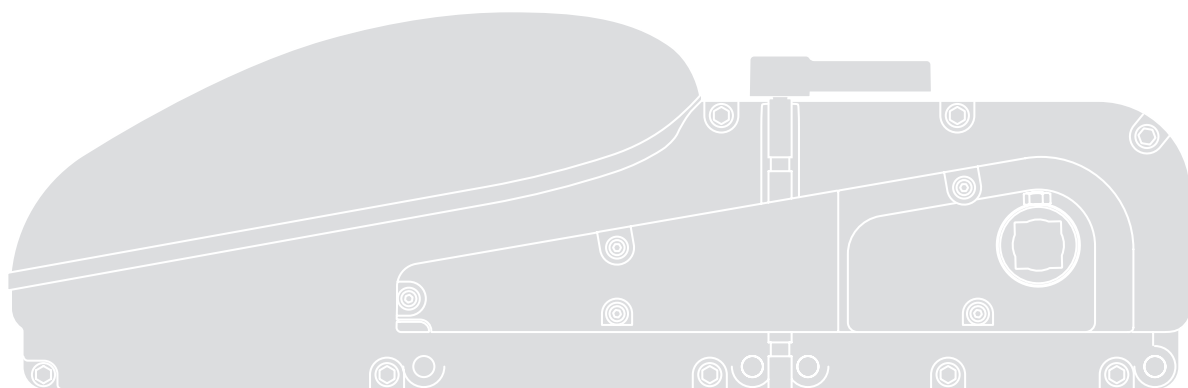


Ten

Garage door opener

TNKCE
TN2020
TN2030



Instructions and warnings for the fitter
Istruzioni ed avvertenze per l'installatore
Instructions et recommandations pour l'installateur
Anweisungen und Hinweise für den Installateur
Instrucciones y advertencias para el instalador
Instrukcje i uwagi dla instalatora
Aanwijzingen en aanbevelingen voor de installateur

Nice

Ten

Table of contents:

page

1	Warnings	3	7	Further details	16
2	Product description and intended use	4	7.1	Programming keys	16
2.1	Limits of use	4	7.2	Settings	16
2.2	Product component check	5	7.2.1	Level 1 functions (ON-OFF functions)	16
2.3	Typical system	6	7.2.2	Level 1 programming (ON-OFF functions)	17
2.4	Wiring list	6	7.2.3	Level 2 functions (adjustable parameters)	17
3	Installation	7	7.2.4	Level 2 programming (adjustable parameters)	17
3.1	Preliminary checks and inspections	7	7.2.5	Example of level 1 programming (ON-OFF functions)	18
3.2	Gearmotor installation	7	7.2.6	Example of level 2 programming (adjustable parameters)	18
3.3	Limit switch adjustment	10	7.3	Adding or removing devices	18
3.4	Installation of various devices	10	7.3.1	STOP input	19
3.5	Electrical connections	10	7.3.2	Photocells	19
3.5.1	Description of electrical connections	11	7.3.3	Electric lock	20
3.5.2	Second motor electrical connection	11	7.3.4	Phototest / Electric lock function programming	20
4	Final checks and start-up	11	7.3.5	Deactivating variable sensitivity of obstacle detection	20
4.1	Selecting the type of installation	11	7.3.6	Programming the direction of TEN installation	21
4.2	Power supply hook-up	12	7.4	Special functions	21
4.3	Learning the door opening and closing positions	12	7.4.1	“Always open” function	21
4.4	Checking door movement	12	7.4.2	“Move anyway” function	21
4.5	Pre-set functions	12	7.5	Connecting other devices	21
4.6	Radio receiver	12	7.6	Troubleshooting	22
4.7	Memorising radio transmitters	13	7.7	Diagnostics and indicators	22
4.7.1	Memorisation Mode I	13	7.7.1	Signals with flashing light	22
4.7.2	Memorisation Mode II	14	7.7.2	Signals on control unit	23
4.7.3	Memorisation in the “vicinity of the receiver	14	7.8	Accessories	24
4.7.4	Deleting radio transmitters	14	7.8.1	Pre assembly for OTA11	24
5	Testing and commissioning -up	15	8	Technical specifications	25
5.1	Testing	15		Instructions and warnings for TEN gearmotor users	27
5.2	Commissioning	15			
6	Maintenance and disposal	15			
6.1	Maintenance	15			
6.2	Disposal	16			

1) Warnings

This instruction manual contains important information regarding the safety of installation; read all instructions before proceeding with installation. Keep this manual in a safe place for future consultation.

In consideration of the risks that may arise during installation and use of TEN, ensure that the installation procedure is completed in full observance of application legislation, standards and regulations. This chapter provides general warnings; other important warnings are given in chapters "3.1 Preliminary checks"; "5 Testing and commissioning".

▲ According to the most recent European legislation, the automation of a door or gate is subject to the specifications of the Machinery directive 98/37/CE and more specifically to the standards: EN 13241-1 (harmonised standard); EN 12445; EN 12453 and EN 12635, which enable declaration of conformity with the machinery directive.

Further information and guidelines on the risk assessment, useful when drawing up the Technical Documentation are available on the site "www.niceforyou.com". This manual is aimed exclusively at technical personnel qualified for installation. With the exception of the specifications attached, to be detached by the installer "Instructions and warnings for the TEN gearmotor user", no other information in this documentation is intended for the final user.

- Use of TEN other than that envisaged in these instructions is strictly prohibited; improper use can lead to hazards, physical injury or damage.
- Before starting installation, an assessment of the associated risks must be made, including a list of the essential safety requirements as envisaged in Appendix I of the Machinery Directive, specifying the relative solutions adopted. Note that the risk assessment is one of the documents included in the automation Technical documentation.
- Check whether other devices or materials are required to complete automation with TEN, evaluating the specific application and associated risks; for example considering the risks of impact, crushing, shearing, dragging and other hazards in general.
- Do not make any modifications to any part unless envisaged in these instructions; this type of operation can only cause malfunctions. NICE declines all liability for damage resulting from modified products.
- During installation and use, take care to prevent the ingress of solid parts or liquids in the control unit and other open devices; if necessary contact the NICE assistance service; use of TEN in these situations can constitute a hazard.
- The automation cannot be used before commissioning the installation as specified in the chapter: "5 Testing and Commissioning".
- The TEN product packaging material must be disposed of in full observance of current local legislation governing waste disposal.
- In the case of faults not remediable using the information in this manual, contact the NICE assistance service.
- If any circuit breakers trip or fuses blow, locate and eliminate the fault before resetting.
- Before accessing the internal terminals under the TEN cover, disconnect all power circuits; if the disconnect device is not in a visible location, affix a notice: "WARNING: MAINTENANCE IN PROGRESS".

Special warnings regarding the suitability of use of this product in relation to the "Machinery" Directive 98/37/EC (ex 89/392/EEC):

- This product is issued onto the market as a "machine component" and is therefore constructed for incorporation in a machine or to be assembled with other machinery to make up a "machine" in accordance with the Directive 98/37 CE only in combination with the other components and according to the methods as described in this instruction manual. As envisaged in the directive 98/37/EC, start-up of the product specified above is not admitted unless the manufacturer of the machine, in which the product is incorporated, has identified and declared the product as conforming to directive 98/37/EC.

Special warnings regarding the suitability of use of this product in relation to the "Low Voltage" Directive 73/23/EEC and subsequent amendment 93/68/EEC.

- This product complies with the requirements of the "Low Voltage" Directive if used for the application and in the configurations envisaged in this instruction manual and in combination with the articles present in the catalogue produced by Nice S.p.a. Requirements may not be guaranteed if the product is used in configurations or with other products not envisaged; use of the product in these conditions is strictly prohibited unless the personnel assigned for installation have verified compliance with the provisions of the directive.

Special warnings regarding the suitability of use of this product in relation to the "Electromagnetic Compatibility" Directive 89/336/EEC and subsequent amendments 92/31/EEC and 93/68/EEC.

- This product has undergone testing for electromagnetic compatibility in the most critical conditions of use, in the configurations envisaged in this instruction manual and in combination with the articles present in the product catalogue of Nice S.p.a. Electromagnetic compatibility may not be guaranteed if the product is used in configurations or with other products not envisaged; use of the product in these conditions is strictly prohibited unless the personnel assigned for installation have verified compliance with the provisions of the directive.

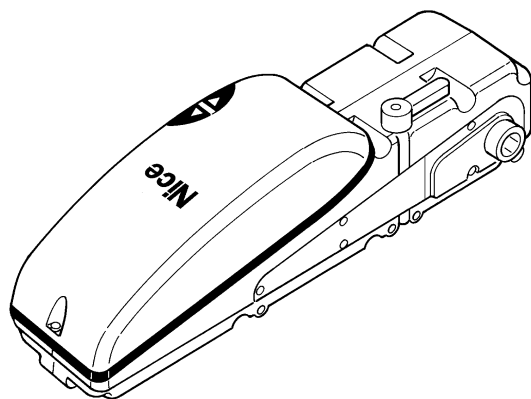
2) Product description and intended use

TEN (Figure 1) is a gearmotor (Table 1: description of TEN composition) for the automation of counterweight up-and-over doors, spring up-and-over doors, projecting, non- projecting, and articulated. TEN is able to reach the travel limit (opening and closing) through a deceleration phase. It also ensures constant control of the force required during manoeuvres, detecting any anomalies, such as a sudden obstacle that blocks leaf movement; in this case the automation executes a stop with brief inversion of movement.

Table 1: Description of TEN composition

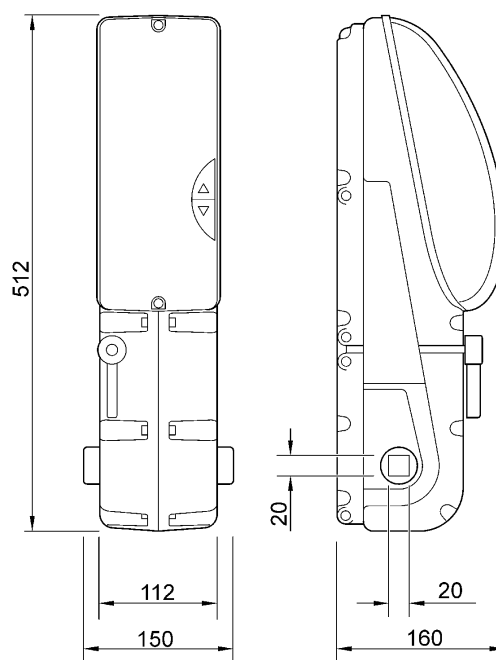
Model	Description
TN2020*	Irreversible gearmotor and courtesy light To be used as "Slave" of TN2010 or TN2030
TN2030	Irreversible gearmotor, control unit, mechanical limiter on opening and closing, and courtesy light
TNKCE	Irreversible gearmotor, control unit, mechanical limiter on opening and closing, and courtesy light. Available only in Kit form and suitable for automation with a single central motor.

* If used in other configurations, ensure that the power supply is from a very low voltage safety system in which voltages never exceed the established low voltage safety limits.



1

Before proceeding with installation, check the condition of the product components, suitability of the selected model and conditions of the intended installation environment.



2.1) Limits of use

Data related to the performance of TEN are provided in chapter "8 Technical specifications" and are the only values that enable correct evaluation of the suitability of application. In general TEN can automate up-and-over doors within the limits stated in Table 2.

Table 2: Limits of use for TEN gearmotors

Type of door	Power operated with 1 motor		Power operated with 2 motors	
	Max. height	Max. length	Max. height	Max. length
Projecting up-and-over door	2.6 m	3m	2.6 m	5.4 m
Non-projecting up-and-over door	2.6 m	3m	2.6 m	5.4m

The measurements in table 2 are guideline only for general estimate purposes. The effective suitability of TEN for automation of a specific door depends on the degree of leaf balancing, friction on tracks and other factors, also occasional, such as wind pressure or the presence of ice, which may obstruct leaf movement. To ensure feasibility, it is absolutely indispensable to measure the force required to move the door throughout travel and to check that this never exceeds the "nominal torque" as specified in Chapter "8 Technical specifications"; it is also important to establish the number of cycles per hour and consecutive cycles admissible, with reference to Table 3 and Table 4

Table 3: Limits in relation to the force required to move the leaf with 1 TNKCE or TN2030

Force required to move leaf (Nm)	Maximum cycles per hour			Maximum no. consecutive cycles		
	TNKCE	TN2020	TN2030	TNKCE	TN2020	TN2030
Up to 120	20	30	25	25	33	27
120÷180	18	28	23	23	31	25
180÷220	15	25	20	20	28	22

Table 4: Limits in relation to the force required to move the leaf with 1 TN2030 +1 TN2020

Force required to move leaf (Nm)	Maximum cycles per hour	Maximum no. consecutive cycles
Up to 150	15	20
150÷250	13	17
250÷350	10	5

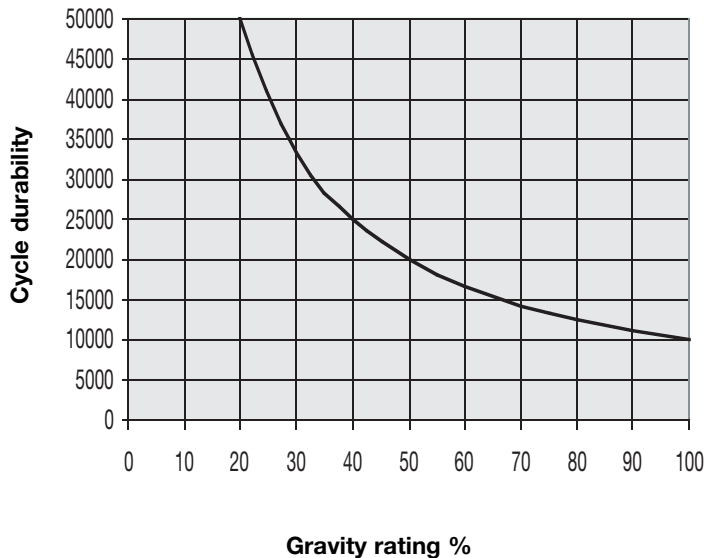
To avoid overheating, the control unit is equipped with a limiter based on the force and duration of the cycles, intervening when the maximum limit is exceeded.

Chapter 8 “Technical specifications” also provides an estimate of “durability” i.e. average product lifetime. The value is strongly influenced by the stress factors involved in the manoeuvre, i.e. all factors that contribute to wear. To make this estimate, the total of all the gravity ratings in Table 5 must be calculated, for subsequent verification of the estimated feasibility in the graph. For example, TNKCE on a door of 130 Kg , which requires a force of 150Nm to move the leaf, equipped with photocells and no other factors of fatigue, obtains a gravity rating of 60% (30+20+10). The estimated durability on the graph is therefore 18,000 cycles.

Note that the estimate of durability is conducted on the basis of design calculations and results of tests performed on prototypes; as this is an estimate it does not constitute any form of guarantee on the effective lifetime of the product.

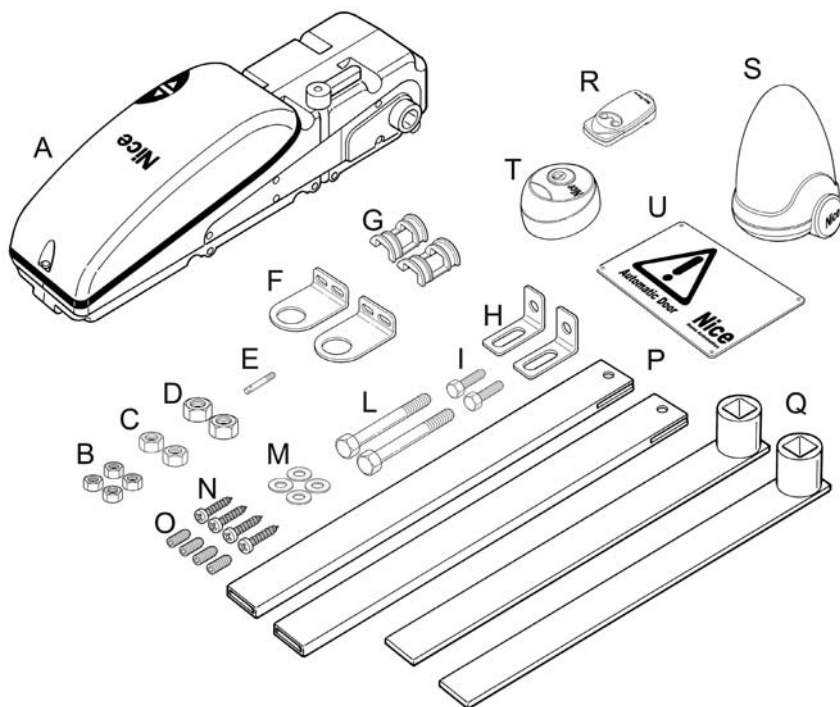
Table 5: Estimate of durability in relation to the manoeuvre gravity rating

Gravity rating %	TNKCE	TN2030	
	TN2030	+ TN2020	
Leaf weight Kg			
Up to 70	20	10	
70 ÷ 150	30	20	
150 ÷ 200	40	30	
Oltre 200	60	50	
Force to move leaf N			
Up to 100	10	5	
100 ÷ 180	20	15	
180 ÷ 220	40	30	
220 ÷ 280	-	50	
Other factors of fatigue (to be considered if the probability of occurrence exceeds 10%)			
Ambient temperature over 40°C or below 0°C or humidity over 80%	10	10	
Presence of dust or sand	15	15	
Presence of salt water	20	20	
Interruption of manoeuvre by Photo	10	10	
Interruption of manoeuvre by Stop	20	20	
High speed	15	15	
Total gravity rating %:			



2.2) Product component check

- Check the condition of the packaging;
- **unpack the product and ensure the presence of all items listed below (Figure 2):**

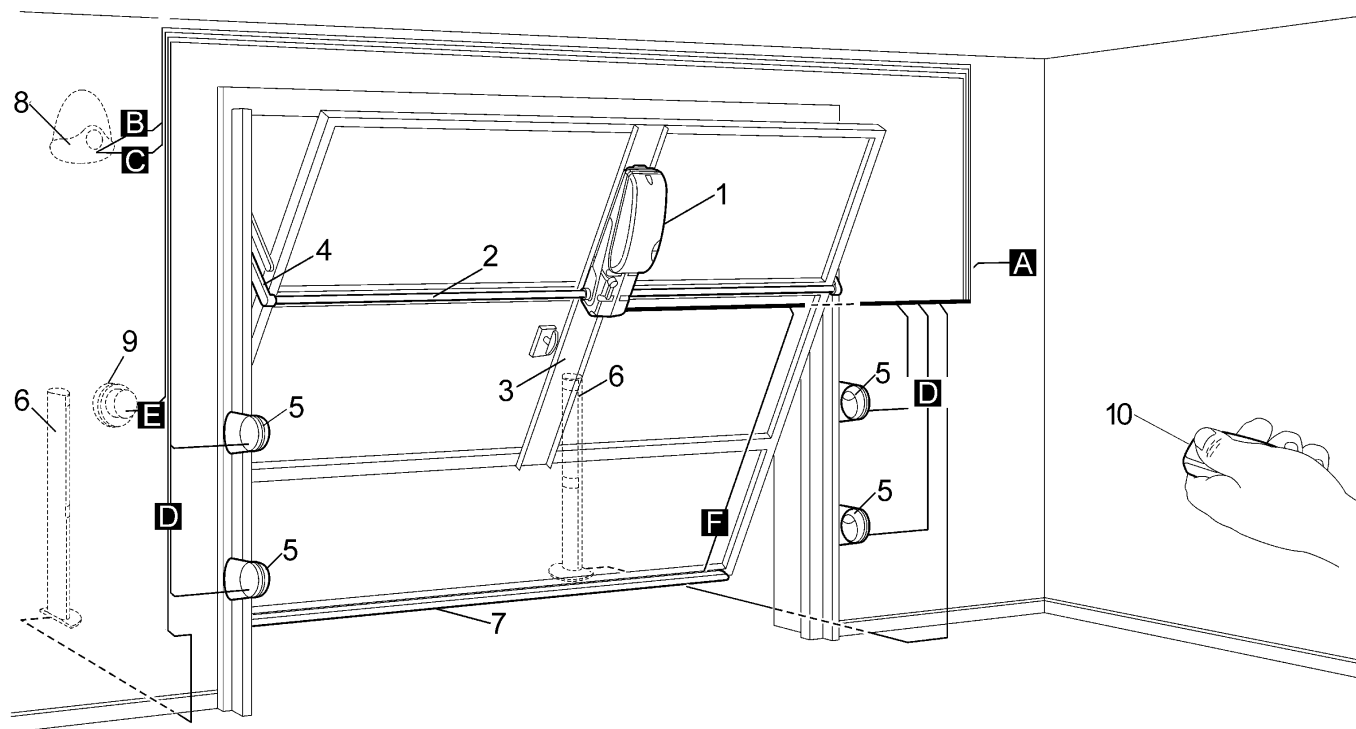


N° pieces	TNKCE
A	1 TEN Gearmotor
B	4 M6 nuts
C	2 M8 nuts
D	2 M10 nuts
E	1 Release rod
F	2 Arm support bracket
G	2 Adaptor bushing
H	2 Upper connection bracket
I	2 M10x30 screw
L	2 M8x110 screws
M	4 Ø8 washers
N	4 Self-tapping screws 5.3x19
O	4 Threaded stud bolts M6x14
P	2 Telescopic tube
Q	2 Straight arm with welded bushing
R	1 Remote control
S	1 Flashing light
T	2 Selector
U	1 Warning sign table

N° pieces	TN2030-TN2020
A	1 TEN Gearmotor
B	2 M6 nuts
C	2 M8 nuts
E	1 Release rod
L	2 M8x110 screws
M	2 Ø8 washers
O	2 Threaded stud bolts M6x14

2.3) Typical system

Figure 3 shows a typical installation of an automation for up-and-over doors, using TEN.



2

- | | |
|----------------------|--|
| 1 TEN | 7 Sensitive edge |
| 2 Square tube 20x20 | 8 12 V Flashing light with incorporated aerial |
| 3 Support bracket | 9 Key-operated selector switch |
| 4 Telescopic arm | 10 Radio transmitter |
| 5 Photocells | |
| 6 Photocells on post | |

2.4) Wiring list

On the typical system of figure 3 the cables are specified for connection of the various devices; table 6 specifies the relative characteristics of the cables.

⚠ The cables used for connecting the various devices must be suitable for the type of installation: For example a cable type H03VV-F is recommended if located indoors.

Tabella 6: elenco cavi

Connection	Cable type	Maximum admissible length
A - Electric power line	1 cable (3 x 1.5 mm ²)	30 m (*)
B - 12V Flashing Light	1 cable (2 x 1 mm ²)	20 m
C - Aerial	1 shielded cable (type RG58)	20 m (recommended: less than 5 m)
D - Transmitter photocell	1 cable (2 x 0.25 mm ²)	20 m
D - Receiver photocell	1 cable (3 x 0.25 mm ²)	20 m
E - Key-operated selector switch	2 cables (2 x 0.25 mm ²)	20 m
F - Sensitive edge	1 cable (2 x 0.25 mm ²)	20 m

Note: (*) If the power cable is longer than 30 m, a cable with a larger section is required, (e.g. 3 x 2,5 mm²) and safety earthing is necessary in the vicinity of the automation.

3) Installation

⚠ Ten must be installed exclusively by qualified personnel in observance of current legislation, standards and regulations, as well as all instructions in this manual.

3.1) Preliminary checks and inspections

Before installation of TEN, perform the following checks:

- Ensure that all material used is in perfect condition, suitable for use and compliant with standards.
- Ensure that the weight and dimensions of the leaf are within the limits of use specified in chapter "2.1 Limits of use"
- With reference to the values specified in chapter "8 Technical specifications", ensure that the static friction (i.e. the force required to move the leaf from stationary) is less than half the "Maximum torque" and that the dynamic friction (i.e. the force required to keep the leaf in movement) is less than half the "Nominal torque"; a margin of 50% is recommended of the force values as adverse climatic conditions can increase friction values.
- Ensure that there are no points of increased friction throughout the travel of the up-and-over door.
- Check the strength of the mechanical stops and ensure there is no risk of the door derailing from the tracks.
- Ensure that the door is well balanced, i.e. it must not move if left stationary in any position.
- Ensure that the fixing points of the various devices (photocells, pushbuttons etc.) are in areas protected against impact and that fixing surfaces are sufficiently solid.
- Depending on the type of door, projecting, non-projecting or articulated, ensure that TEN can be fixed at the heights specified in figures 5, 6 or 7 respectively.
- If there is not sufficient space between the support arm and fixed section of the door, the "curved arm" accessories should be used to avoid crossover.
- Ensure that parts of the automation cannot come into contact with water or other liquids.

- Never keep TEN components near heat sources or naked flames; these actions can cause damage and malfunctions, fire or hazards.
- If the door is fitted with a pedestrian access door, ensure that this does not obstruct normal travel and that a suitable interlock system is fitted.
- Connect the control unit to an electric power line equipped with an earthing system.
- The electric power line must be protected by an adequate differential thermal magnetic cut-out device. The electrical mains power line must be equipped with a power disconnect device (with over voltage category III, i.e. minimum gap between contacts of 3.5 mm) or an equivalent system such as socket with removable plug. If the power disconnect device is not in the vicinity of the automation, it must be fitted with a lockout facility to prevent inadvertent or unauthorised connection.

3.2) Gearmotor installation

Positioning of TEN varies according to the type of door to be automated and constrains specified in chapter "2.1 Limits of use"

Note: For the installation of 2 motors follow the same procedure as for one motor, with installation as shown in Figure 14.

1. Once the type is defined, fix the support bracket to the door, perfectly vertical (Figure 4), observing the specified distances.
 - 1.1 For projecting up-and-over doors, the axis of arm rotation must be 50÷100 mm below the door support arm.(Figure 5)
 - 1.2 For non-projecting up-and-over doors, the axis of arm rotation must be in perfect alignment with the door support arm. (Figure 6)
 - 1.3 For articulated up-and-over doors, the axis of arm rotation must be 50÷100 mm below the hinge of door rotation. (Figure 7).

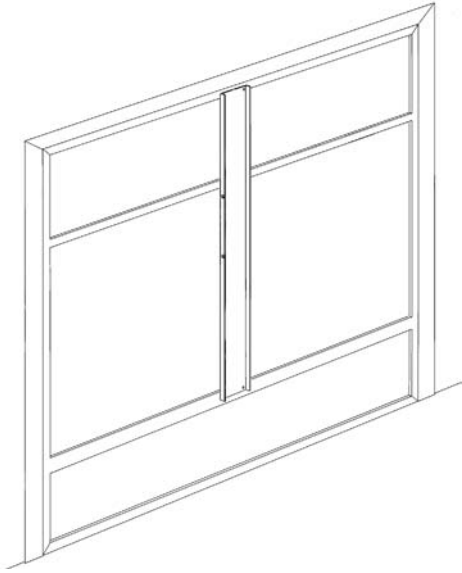
⚠ If using TEN upturned, the control unit must be programmed accordingly; for this procedure, refer to paragraph "7.3.6 Programming the direction of TEN installation.
2. Fix the gearmotor to the bracket by means of the relative screws (Figure 8).
3. Release the gearmotor by rotating the handle anti-clockwise (Figure 9).
4. Securely fix the lateral support brackets, perfectly aligned with the motor rotation shaft, and insert the adaptor bushings supplied. (Figure 10).

Depending on the space between the support arm and fixed frame of the door, straight or curved arms must be used.

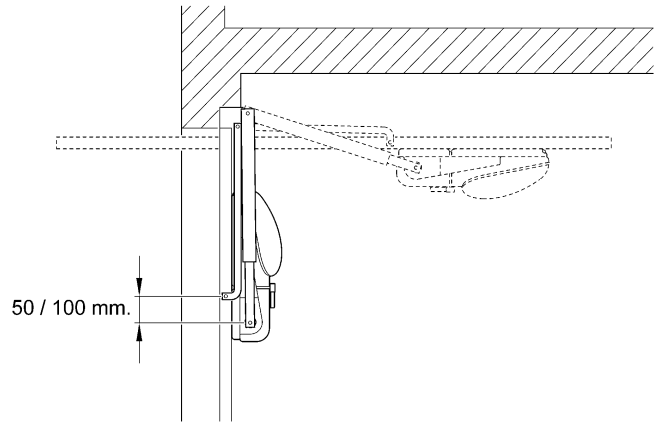
5. Fix the upper support to the door frame (Figure 11): if already present, ensure that it is suitable for the arms to be used. The distances specified in figure 11 are guideline only: these may vary according to the dimensions of the door.
6. Insert the transmission tube into the bushing of the arm and the motor shaft, and cut to size. (Figure 12)
7. Open the door completely and cut the arms to size, considering that with the door closed they need to slide by at least 70 mm (Figure 13). If the length is not sufficient, reposition the upper support or use longer arms
8. Insert the arms in the respective guides and ensure that the door slides freely without jams or obstructions.

Check balancing again: The door is well-balanced when it does not move at all from stationary in any position throughout its travel. If necessary, adjust the balancing systems as required.

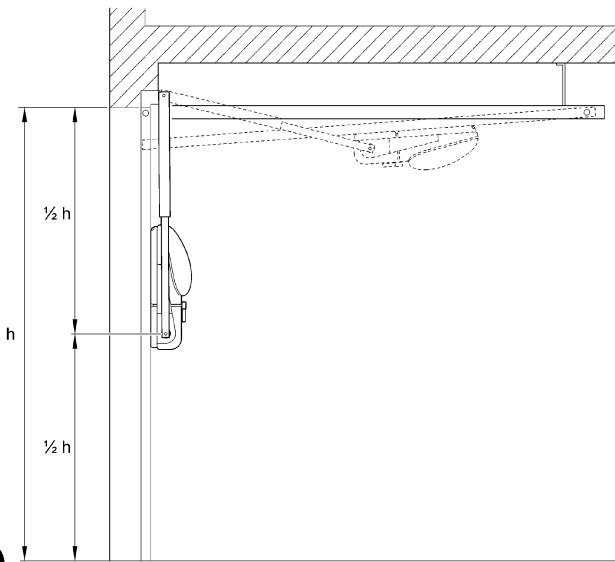
4



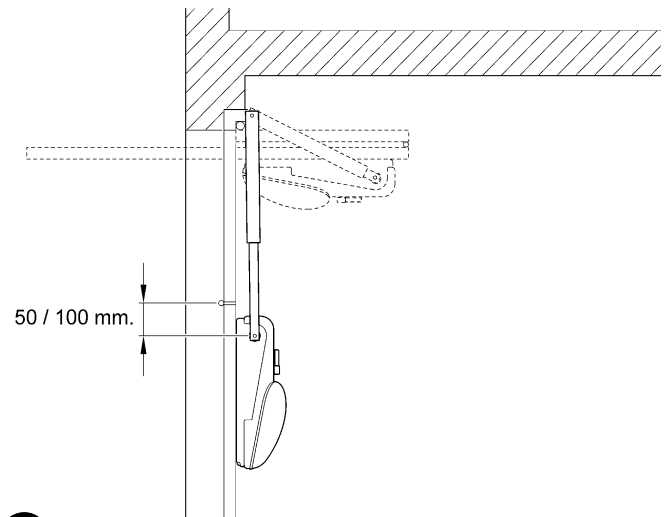
5



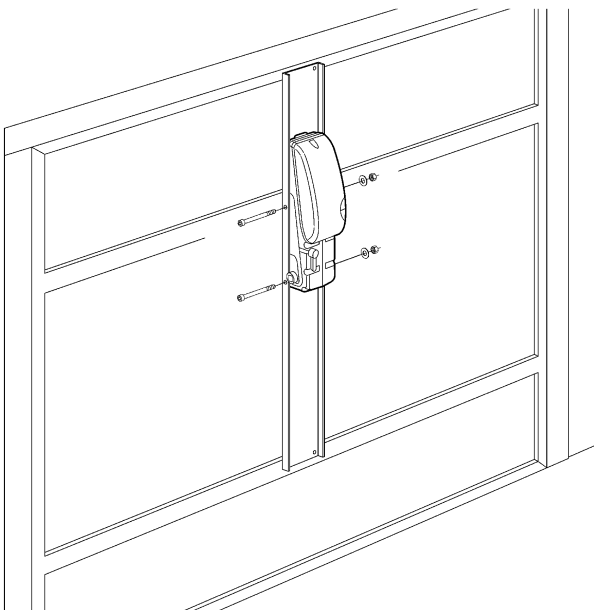
6



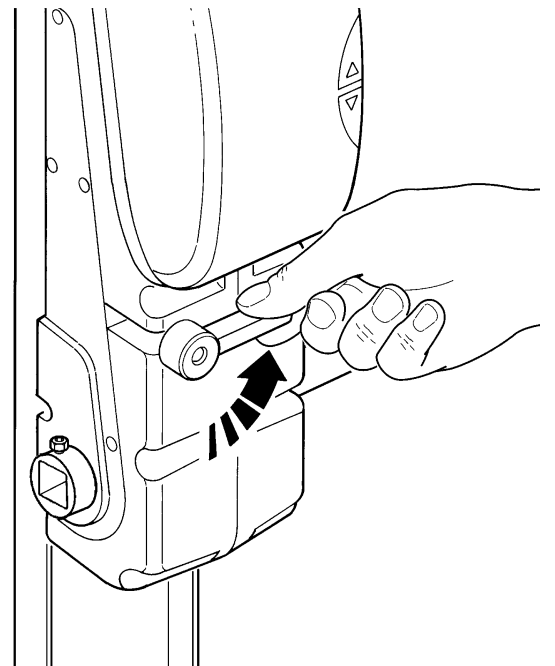
7

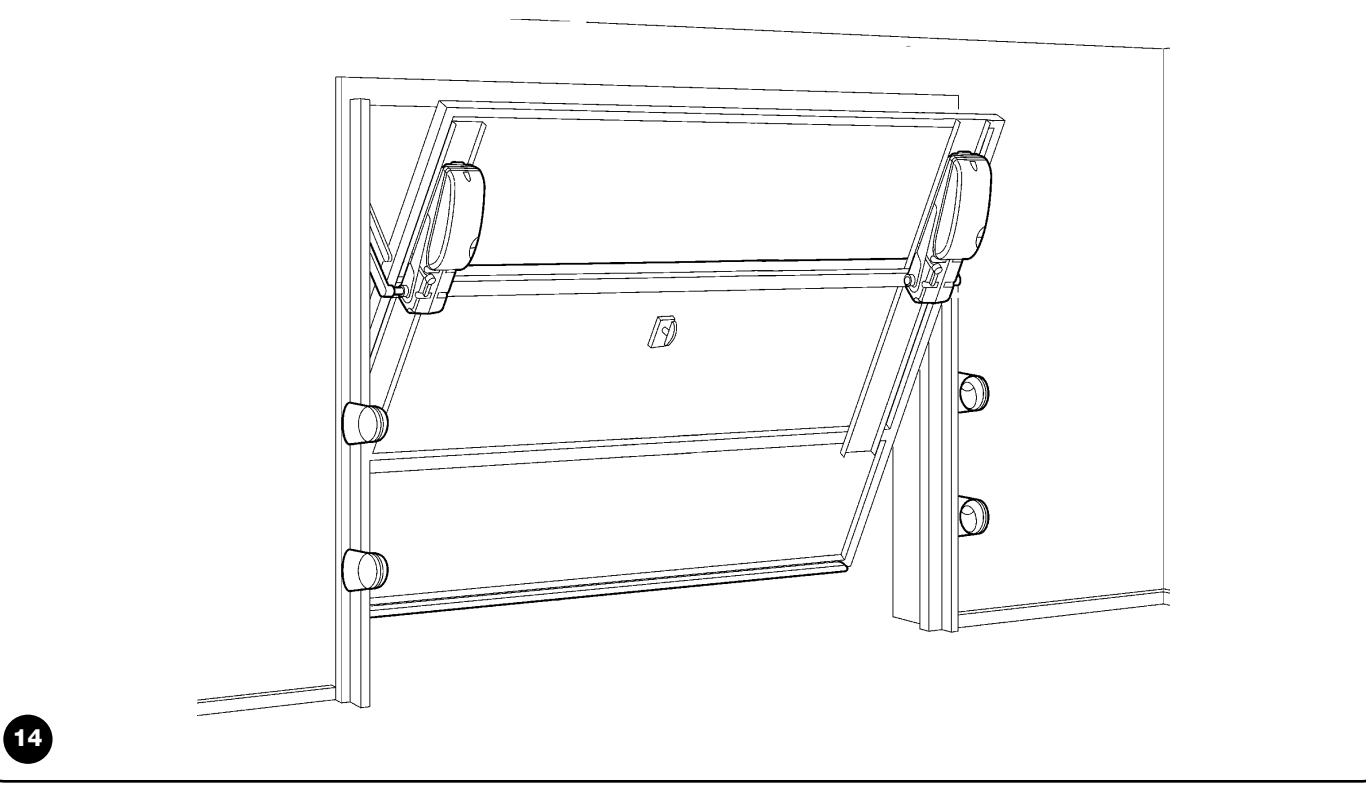
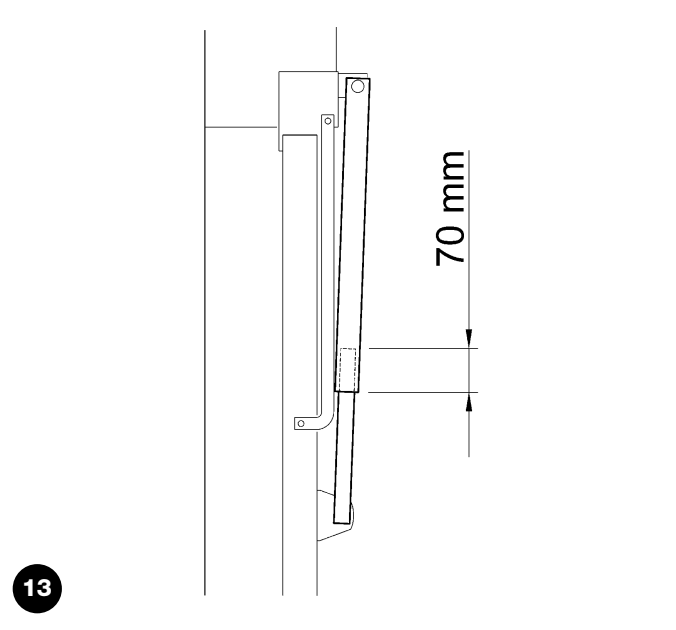
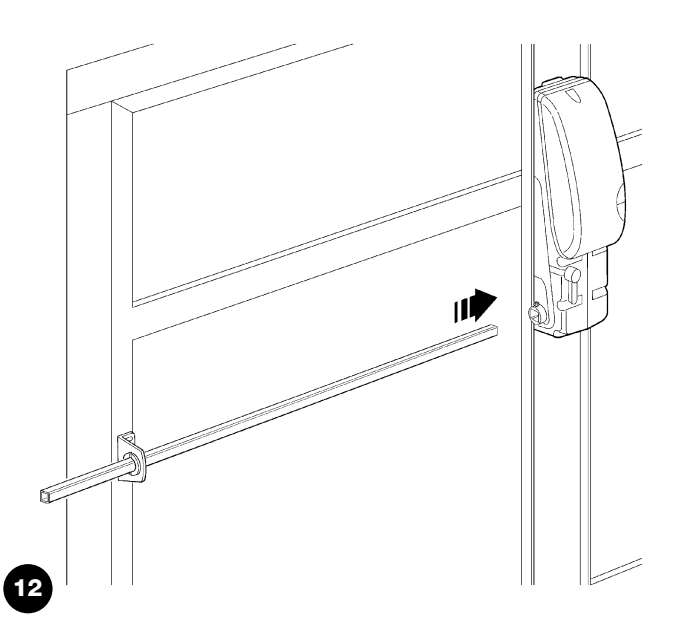
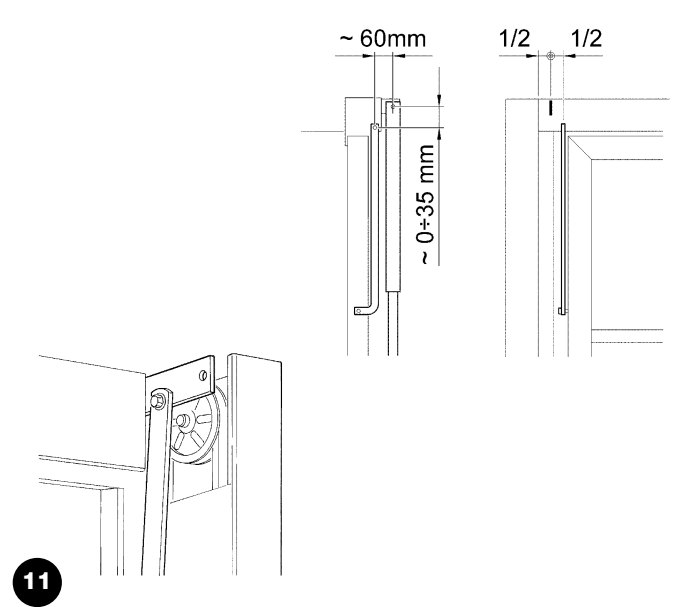
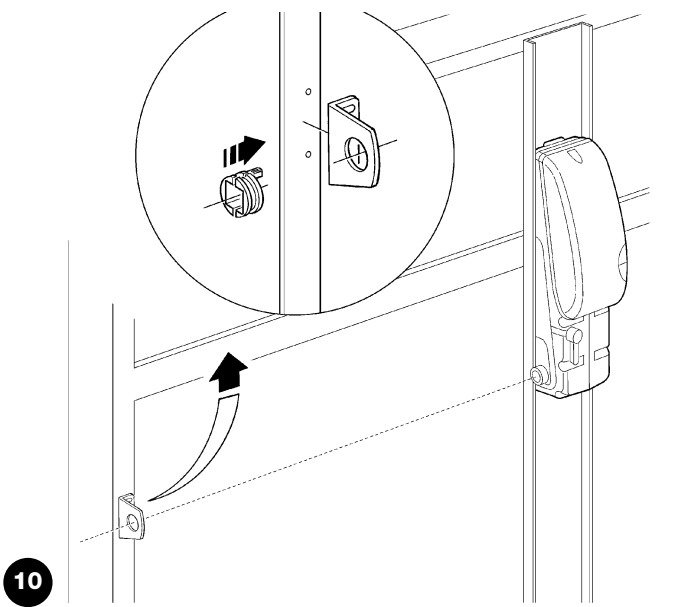


8



9





3.3) Limit switch adjustment

With the gearmotor released, proceed as follows:

Remove the lateral guard by loosening the screws (Figure 15).

Opening limit switch: (Figure 16)

1. Open the door completely
2. Rotate the internal cam anticlockwise until the microswitch clicks (engages)
3. Tighten the fixing screw fully down with a hex wrench

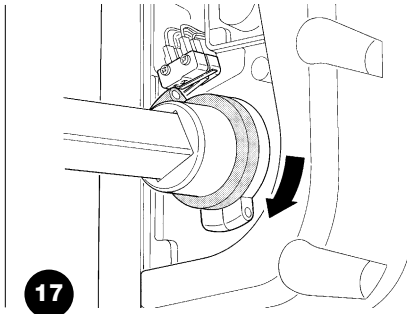
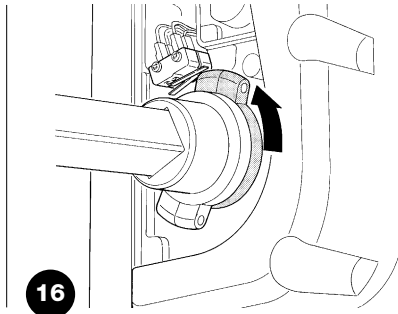
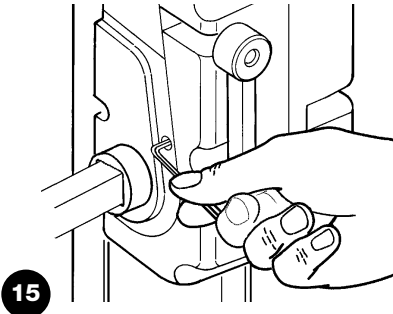
Closing limit switch: (Figure 17)

1. Close the door nearly completely (stop approx. 2 cm before the mechanical stop)

2. Rotate the external cam clockwise until the microswitch clicks (engages)
3. Tighten the fixing screw fully down with a hex wrench

⚠ The closing manoeuvre does not end only by activation of the limit switch, but by the combination of the limit switch and mechanical stop.

Refit the lateral guard, taking care to position the cables and seals correctly.



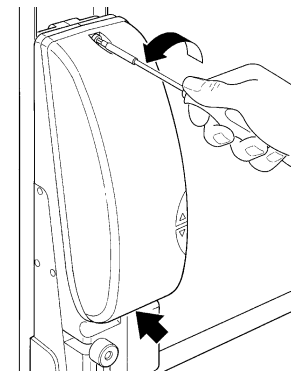
3.4) Installation of various devices

Install the other devices envisaged as stated in the respective instructions. Refer to paragraph "3.5.1 description of electrical connections" and figure 20 for devices that can be connected to TEN.

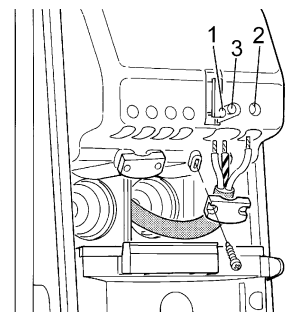
3.5) Electrical connections

⚠ All electrical connections must be made with the system disconnected from the power supply.

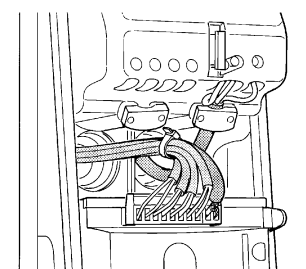
1. To proceed with electrical connections, loosen the screws of the cover (Figure 18)
2. Remove the two rubber membranes closing off the two cable routing holes. Cut a hole into the membrane and insert the power cable into the membrane and right-hand hole. Cut a hole in the membrane and pass the other cables to the various devices through the membrane and left-hand hole. Leave a cable length of 20÷30 cm longer than necessary. See table 6 for the cable types.
3. Connect the mains power cable directly to terminals 1(phase) and 2 (neutral), and 3 (earth); secure the cable with the collar as shown in Figure 19
4. Make connections of the other cables as shown in the diagram of Figure 20. The terminals are removable to facilitate these operations
5. On completion of connection, collect and secure the cables by means of clips (Figure 21).



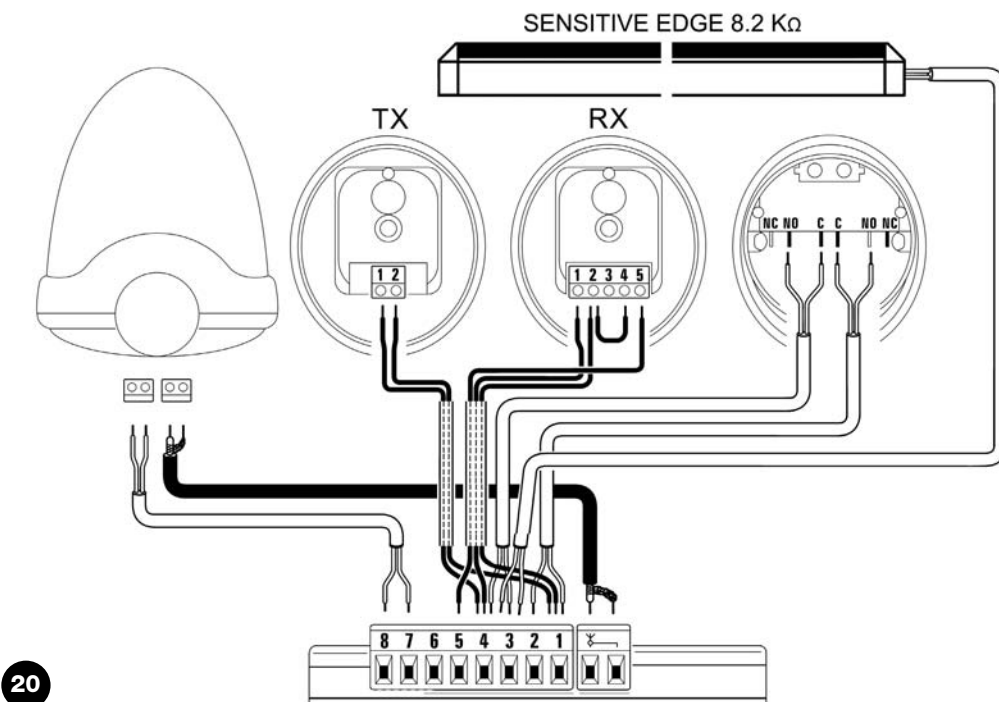
18



19




21



20

3.5.1) Description of electrical connections

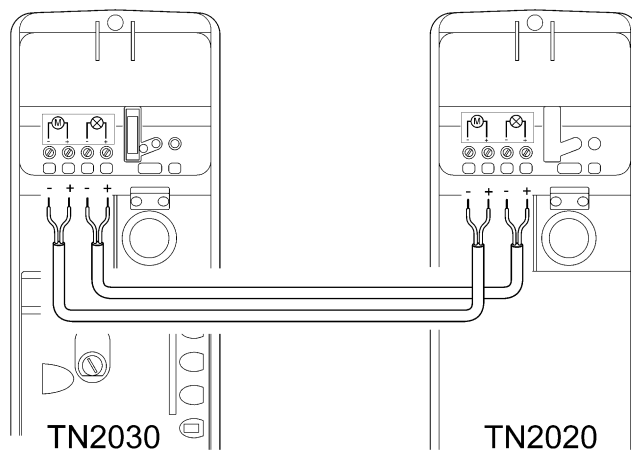
This paragraph provides a brief description of the electrical connections: For further information refer also to 7.3 "Adding or removing devices"

NO.	Type of terminal	Service or device connected
	Aerial	input for connection of the aerial for the radio receiver The aerial is incorporated on LUCY B; alternatively an external aerial can be used or leave a section of wire to act as an aerial, already present on the terminal
1-2	Step - step	Input for devices that control movement in Step-Step mode, enabling the connection of Normally Open contacts
3- 4	Stop	Input for devices that block or shut down the manoeuvre in progress; by setting the input accordingly, it is possible to connect Normally Closed type contacts, Normally Open contacts, or a 8.2K constant resistance can be connected. More information on STOP is available in paragraph "7.3.2 -STOP input".
1-5	Photo	Input for safety devices such as photocells. These engage during closure inverting the direction of movement. Normally closed contacts are connected to this terminal More information on PHOTO is available in paragraph "7.3.2 -PHOTO input".
4-6	Phototest or electric lock	Each time a manoeuvre is started up, all safety devices are checked and only in the case of positive results can the manoeuvre be started. This is possible by means of a special type of connections; the transmitters of the TX photocells are powered separately from the RX receivers. Other information on the connection is provided in paragraph "7.3.2 PHOTO input" For electric lock operations, refer to paragraph "7.3.3 Electric lock"
7-8	Flashing light	This output can be connected to a NICE "LUCY B" flashing light with a 12V 21W car type lamp. During the manoeuvre the light flashes at an interval 0.5s on and 0.5s off

3.5.2) Second motor electrical connection

If the installation envisages the use of 2 motors, a TN2030 and a TN2020, make the electrical connection of the second motor as described below.

1. Make the same connections for gearmotor TN2030 as those for a single motor installation.
2. Between the control unit of the TN2030 and terminal board of the TN2020 make the cable connections "second motor" and "second motor courtesy light" as shown in (Figure 22), observing polarity as specified.



22

4) Final checks and start-up

Before starting the final check phase and start-up of the automation, place the door at mid-travel so that it is free to move in both the opening and closing directions.

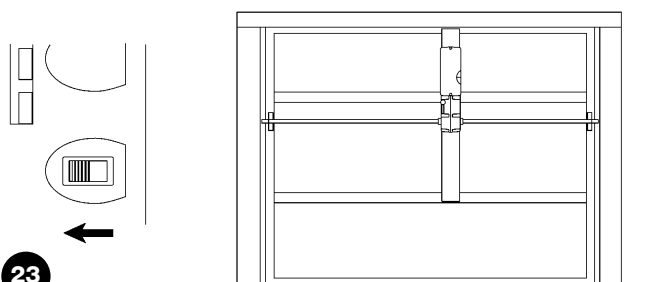
4.1) Selecting the type of installation

Depending on the type of system, i.e. installations with one or 2 motors, the selector must be set accordingly on the control unit.

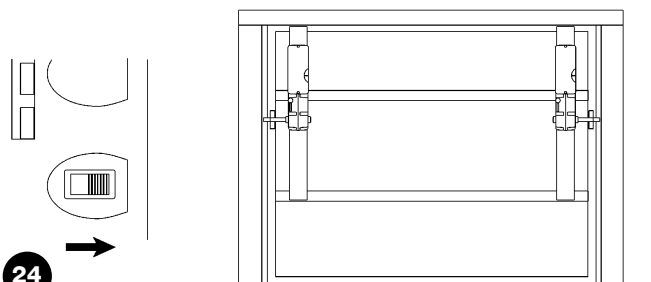
If the system uses 1 motor, move the selector to the left as shown in Figure 23.

If the system uses 2 motors, move the selector to the right as shown in Figure 24.

⚠ Never set the selector to 2 motors when only one is installed; operation will be impaired and there is a risk of damage to the motor.



23



24

4.2) Power supply hook-up

⚠ TEN must be connected to the power supply by skilled and qualified personnel in possession of the requisites as specified and in full compliance with legislation, standards and regulations.

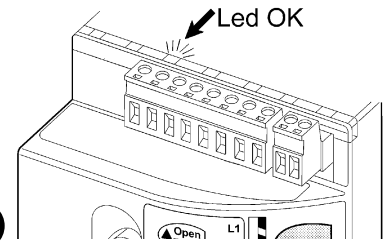
As soon as TEN is powered up, a number of checks are recommended:

1. Check that the OK led flashes regularly, with one flash per second (Figure 25).
2. Ensure that the flashing light and courtesy light are switched off.

If none of these conditions occur, disconnect the power supply immediately and check the electrical connections thoroughly.

Other information regarding fault-finding procedures are provided in the chapter "7.6 Troubleshooting".

25



4.3) Learning the door opening and closing positions

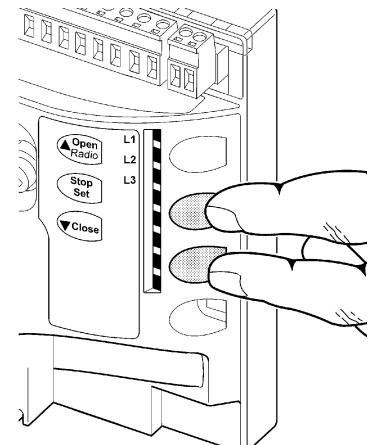
The control unit must be able to recognise the door opening and closing positions; in this phase the door travel is measured from the closing stop to the opening travel limit, required to calculate the deceleration point and partial opening point. As well as these positions, this phase also reads and memorises the configuration of the STOP input and the presence (or not) of the connection in "Phototest" mode of the PHOTO input. (see paragraph "7.3.2 Photocells"). Also, during this phase the control unit memorises the force required during the opening and closing movements.

1. Press and hold keys **[▼]** and **[Set]** (Figure 26 Error). Reference source not found.)
2. Release the keys when the manoeuvre starts (after approx. 3s)
3. Wait for the control unit to control the learning phase: closing, opening and reclosing of the door
4. Press **[Open]** to execute a complete opening manoeuvre.
5. Press **[CLOSE]** to execute a closing manoeuvre.

If none of these conditions occur, disconnect the power supply immediately and check the electrical connections thoroughly. At the end of the learning phase, if LEDs L2 and L3 flash, this means that there is an error, see paragraph "7.6 Troubleshooting".

During these manoeuvres, the control unit memorises the force required for the opening and closing movements. The phase for learning of the door opening and closing positions and configuration of the inputs STOP and PHOTO can be repeated at any time after installation (for example if a limit switch cam is moved); simply repeat the procedure from point 1.

26



4.4) Checking door movement

After learning the positions, run a number of manoeuvres to ensure correct movement of the door.

1. Press **[OPEN]** to activate an "Open" manoeuvre; ensure that door opening is correct without variations in speed; the door must only slow down when between 15 and 5cm from the opening limit switch and stop when the limit switch is engaged.
2. Press **[CLOSE]** to activate a "Close" manoeuvre; ensure that the door closes with a low speed start, followed by a change in speed (only if this function is enabled) and then that the door slows down between 70 and 50cm from the closing limit switch and stops with the limit switch is engaged.
3. During the manoeuvre, ensure that the flashing light emits flashes at the frequency 0.5s on and 0.5s off.
4. Make a number of opening and closing manoeuvres to check for possible assembly defects or faulty adjustments and other malfunctions such as points of increased friction.
5. Check fixture of the gearmotor TEN, arms and brackets and ensure that they are solid and sufficiently resistant, also during sudden accelerations or decelerations in door movement.

4.5) Pre-set functions

The TEN control unit has a number of programmable functions, which are factory set with values that should suit most types of automation; however, these functions can be modified at any time by means of the specific programming procedure, as described in paragraph "7.2 Settings".

4.6) Radio receiver

A radio receiver is incorporated in the control unit of TEN for remote control, operating at a frequency of 433.92 MHz compatible with the following types of transmitter (Table 7):

Since the type of code is different, the first transmitter memorised determines also the type of coding of transmitters that can be memorized afterwards. Up to 160 transmitters can be memorised.

Table 7: Transmitters

Code	Model
FLO	FLO1 - FLO2 - FLO4 VERY VE
FLOR	FLOR1 - FLOR2 - FLOR4 VERY VR ERGO1 - ERGO4 - ERGO6 PLANO1 - PLANO4 - PLANO6 - NICEWAY (entire range)
SMILO	SM2 - SM4

4.7) Memorising radio transmitters

Each radio transmitter is recognised by the radio receiver by means of a unique code, different from all other transmitters. Therefore a memorisation phase is required to enable the radio receiver to recognise individual transmitters. The transmitters can be memorised in 2 ways:

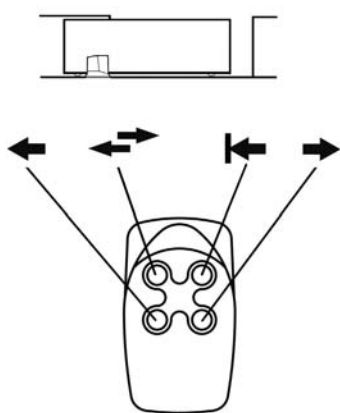
Table 8: Memorisation Mode I

Key T1	Step-Step command
Key T2	"Partial open" command
Key T3	"Open" command
Key T4	"Close" command

NOTE: Single channel transmitters only have key T1, while 2-channel transmitters have keys T1 and T2.

Mode I: in this mode, the functions of the transmitter keys are fixed, with each key corresponding to a specific command as specified in Table 8, and a single phase is performed for each transmitter in which all keys are memorised. During this phase it is not important which key is pressed and only one location is occupied in the memory.

In **Mode I**, the transmitter can normally command only one automation; see example in Figure 27.



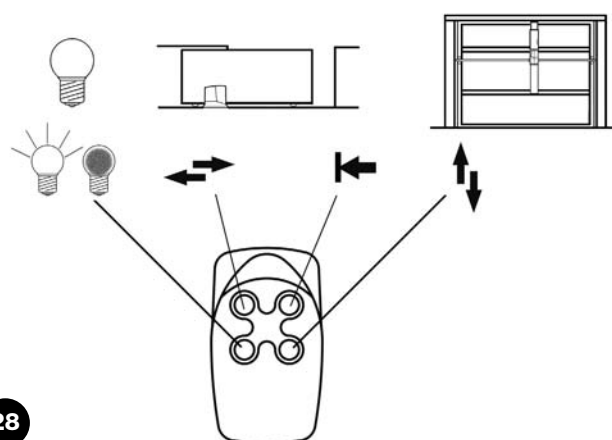
27

Table 9: Commands available in Mode II

Command 1	Step-Step
Command 2	Pedestrian open
Command 3	"Open"
Command 4	"Close"

Mode II: In this mode, each single transmitter key can be associated with one of the 4 possible commands of the control unit as specified in Table 9; only one key is memorised in each phase, i.e. the key pressed during the memorisation phase. One memory location is occupied for each key memorised.

In **Mode II** a transmitter with several keys can control several automations; see example in Figure 28.

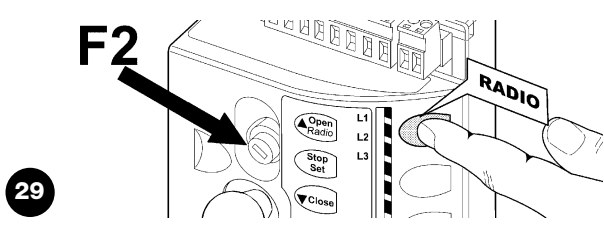


28

⚠ As the memorisation procedures have a time limit of 10 s, read the instructions in the paragraphs below before starting the procedure.

⚠ Memorisation and deletion of transmitters must be performed within the first 10 seconds after powering up the unit. In this time interval, the control unit key [▲/OPEN/RADIO] is used for radio memorisation and deletion functions. 10 seconds after the last flash of led L1 or after the last key is pressed, the key is then enabled for command functions (OPEN) and programming [▲]. The courtesy light flashes once to indicate the end of the interval in which radio memorisation functions are enabled.

4.7.1) Memorisation Mode I









29

Table 10: To memorise a transmitter in Mode I

	Example
1. Switch off TEN and turn it one again after at least 3 seconds (for example by removing F2)(Figure 29)	OFF → 3s → ON
2. Within 10 seconds of power-up, press and hold the key RADIO on the control unit (for at least 4s) (Figure 29)	▲ (4s)
3. Release the key when the "radio" led L1 illuminates.	L1 (flashes)
4. Within 10 seconds press any key of the transmitter to be memorised for at least 3 seconds.	Transmitter key (3s)
5. If the memorisation procedure is successful, the radio led on the control unit emits 3 flashes.	L1 (flashes x3)

If there are other transmitters to be memorised, repeat point 4 within a further 10 seconds. The memorisation phase terminates if no codes are received within 10 seconds.

4.7.2) Memorisation Mode II

Table 11: To memorise a transmitter in mode II		Example
1.	Switch off TEN and turn it one again after at least 3 seconds (for example by removing F2)	 3s 
2.	Within 10 s of power-up, press the RADIO key on the control unit the same number of times as the command number required, as specified in table 9 (1=Step-Step; 2=Partial open; 3=Open; 4=Close)	 1...4
3.	Ensure that the radio led on the control unit emits the same number of flashes as the required command (repeated after a brief pause)	 1...4
4.	Within 10 seconds press the required key of the transmitter to be memorised for at least 3 seconds.	 3s
5.	If the memorisation procedure is successful, the receiver led emits 3 flashes.	 x3







If there are other transmitters to be memorised, repeat point 3 within a further 10 seconds.

The memorisation phase terminates if no new transmitters to be memorised are received within 10 seconds.

4.7.3) Memorisation in the “vicinity of the receiver”

A new transmitter can be memorised without acting directly on the receiver keypad; this requires a previously memorised and operative remote control. The new transmitter will be memorised with the same characteristics as the previously memorised version; therefore if the first transmitter is memorised in Mode I, the new model will be memorised in Mode I and any key of the transmitter can be pressed. On the other hand, if the transmitter already operative is memorised in Mode II, the new model will be memorised in the same mode, and in this case it is important to press the required command key on the first transmitter and the key to associate with this command on the second transmitter.




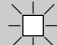

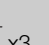




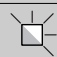
⚠ Memorisation “in the vicinity of the receiver” is possible on all receivers located within the operating range of the previously memorised transmitter, and therefore only the device required for the operation should remain powered.

Table 12: To memorise a transmitter in the vicinity of the receiver		Example
1.	Position the two transmitters in the vicinity of the receiver and proceed as follows:	
2.	Press the key on the new radio transmitter for at least 5 s and then release	 5s 
3.	Slowly press the key of a previously memorised transmitter three times.	 1s  1s  1s
4.	Slowly press the key of the new transmitter once.	 1s

The new transmitter will now be recognised by the receiver which will acquire all the characteristics of the previously memorised transmitter.

If there are other transmitters to be memorised, repeat the same procedure for all new transmitters.

4.7.4) Deleting radio transmitters

Table 13: To delete all transmitters		Example
1.	Switch off TEN and turn it one again after at least 3 seconds (for example by removing F2)	 3s 
2.	Within 10 seconds of power-up, press and hold the key RADIO on the control unit	
3.	Wait for the radio led to illuminate, then wait for it to turn off, followed by the emission of 3 flashes.	   x3
4.	Briefly press the RADIO key exactly on the third flash.	   
5.	If the procedure is successful, after a short interval the led emits 5 flashes	 x5

5) Tests and start-up

This is the most important phase of automation set-up to ensure maximum safety. Testing can also be performed as a periodic check of automation devices.

⚠ Testing of the entire system must be performed by skilled and qualified personnel, who are responsible for the tests required, according to the risk present, and for ensuring observance of all legal provisions, standards and regulations, and in particular all requirements of the standard EN 12445, which establishes the test methods for checking automations for doors and gates.

5.1) Testing

Each component of the automation, such as the sensitive edges, photocells, emergency stop, etc., requires a specific testing phase; for these devices the specific procedures in the respective instruction manuals must be performed.

To test TEN, follow the procedure below:

1. Ensure that all specifications in this manual have been observed, with special reference to the chapter "1 Warnings";
2. Release the door by rotating the release handle or each motor anti-clockwise (Figure 48); ensure that the door can be moved manually in the opening and closing directions with a force of maximum 225N at the point envisaged for manual movement.
3. Lock the motors to the door by rotating the release handle clockwise (Figure 49).
4. Using the envisaged control and stop devices (key-operated selector switch, control pushbuttons or radio transmitters), perform tests of opening, closing and stopping the door and ensure that operations correspond to specifications.
5. Test several times to assess smooth operation of the door and check for any defects in assembly or adjustment and any possible points of friction.

6. Check operation of all system safety devices one at a time (photocells, sensitive edges, emergency stop, etc.); in particular, each time a device is activated the "OK" led on the control unit must flash rapidly twice to confirm acknowledgement of the event.
7. To check the photocells, and to ensure there is no interference with other devices, pass a cylinder with diameter of 5cm and length 30cm on the optical axis, first close to the TX, then close to the RX and lastly at the centre between the two and ensure that in all cases the device engages, changing from the active status to alarm status and vice versa. Lastly ensure that the envisaged action is generated on the control unit, for example: in the closing manoeuvre it inverts movement.
8. If hazardous situations generated by the moving barrier are protected by means of impact force limitation, measure the force as specified in the standard EN 12445. If speed and motor force controls are used as auxiliary functions with the system for reduction of impact force, test and identify the setting that obtains the best results.

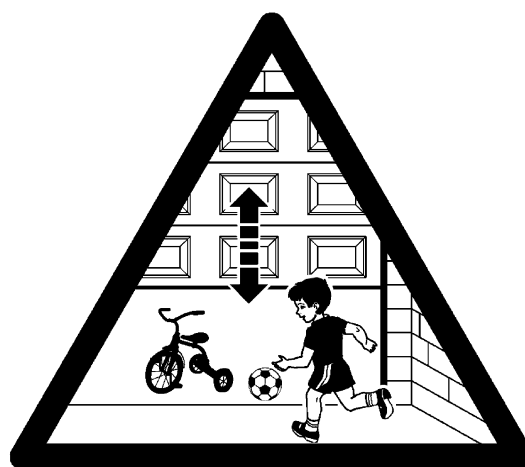
5.2) Commissioning

Commissioning can only be performed after positive results of all test phases on TEN and the other devices present. Partial or "makeshift" commissioning is strictly prohibited

1. The prepared automation technical documentation should be conserved for at least ten years and must contain at least the following: overall drawing of the automation, electrical wiring diagram, risk assessment and relative solutions adopted, manufacturer's declaration of conformity for all devices used (in the case of TEN, use the EC declaration of conformity enclosed); copy of the operation instruction manual and maintenance schedule for the automation
2. Affix a dataplate on the door, specifying at least the following data: type of automation, name and address of manufacturer (responsible for commissioning), serial number, year of construction and CE mark
3. Permanently affix a label or plate in the vicinity of the door, indicating the operations for door release and manual manoeuvres.
4. Permanently affix a label or plate on the door, bearing this image (min. height 60 mm). (Figure 30)
5. Prepare and provide the owner with the declaration of conformity of the automation
6. Prepare and provide the owner with a the manual "Automation operation instructions and warnings".

7. Prepare and provide the owner with the automation maintenance schedule (containing all prescriptions for maintenance of individual devices)
8. Before commissioning the automation, ensure that the owner is adequately informed in writing (such as in the automation instruction and warning manual) of all associated risks and hazards.

30



6) Maintenance and disposal

This chapter provides the information required to draw up a maintenance schedule and for the disposal of TEN.

6.1) Maintenance

To maintain constant safety levels and guarantee maximum duration of the entire automation, regular maintenance is required.

▲ Maintenance must be performed in full observance of the safety regulations specified in this manual and according to current legislation and standards.

For other devices different from TEN follow the instructions in the respective maintenance schedules.

1. In the case of TEN scheduled maintenance must be performed within 6 months or 4.000 duty cycles since the previous maintenance operation:
2. Disconnect all electrical power supply sources.
3. Check the state of wear of all automation materials, with special attention to possible erosion or oxidation of structural parts; replace all parts that do not guarantee total efficiency.
4. Check the state of wear of all moving parts: Telescopic arms, counterweight ropes and all parts of the leaf; replace all worn parts
5. Reconnect the electrical power sources and perform all tests and inspections envisaged in the paragraph "5.1 Testing".

6.2) Disposal

As in installation, also at the end of product lifetime, the disassembly and scrapping operations must be performed by qualified personnel. This product is made up of different types of material, some of which can be recycled while others must be disposed of. Seek information on the recycling and disposal systems envisaged by the local regulations in your area for this product category.

⚠ Some parts of the product may contain pollutant or hazardous substances which, if disposed of into the environment, may cause serious damage to the environment or physical health.

As indicated by the symbol in figure 31, disposal of this product in domestic waste is strictly prohibited. Separate the waste into categories for disposal, according to the methods envisaged by current legislation in your area, or return the product to the retailer when purchasing a new version.

Local legislation may envisage serious fines in the event of abusive disposal of this product.

1. Disconnect the electrical mains from the automation.
2. Disassemble all devices and accessories, following the procedure described in chapter "3 Installation" in reverse order
3. Where possible, separate all parts that can be recycled or disposed of as classified waste, such as metal and plastic parts, electronic boards, batteries etc.
4. Sort all groups and deliver separated waste to an authorised disposal firm in compliance with local regulations.

31



7) Further details

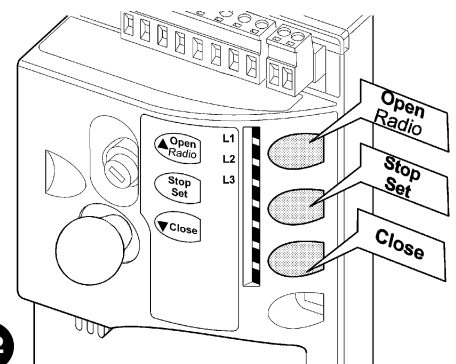
This chapter deals with the options for programming, personalisation, diagnostics and troubleshooting for the TEN gearmotor

7.1) Programming keys

The TEN control unit is fitted with 3 keys which can be used both for the control of the unit during testing and the programming procedure (Figure 32)

▲ OPEN RADIO	RADIO Within the first 10 seconds after power-up, perform the "RADIO" function to enable memorisation and deletion of the radio transmitters used with TEN. After this time interval, perform the "OPEN" function to enable the user to open the door or scroll up through the programming steps.
STOP SET	The STOP key stops the manoeuvre; If pressed for more than 5 seconds, it enables entry to programming mode.
▼ CLOSE	The "CLOSE" key enables the user to close the door or scroll down through the programming steps

32



⚠ During the manoeuvre, whether opening or closing, all keys execute the STOP function to shut down motor movement.

7.2) Settings

The TEN control unit is equipped with a number of programmable functions; function settings are entered by means of the 3 keys on the control unit: **[▲]**, **[▼]** and **[Set]** and are displayed by means of 3 leds: **L1**, **L2**, **L3**.

in this case leds L1, L2, and L3 indicate a function, if lit the function is enabled, if off the function is disabled; see Table 14.

The programmable functions available on TEN are divided into 2 levels:

Level 1: functions settable in ON-OFF mode (enabled or disabled);

Level 2: parameters settable on a scale of values (from 1 to 3); in this case each led L1, L2, L3 indicates a set value from the possible 3; see Table 16.

7.2.1) Level 1 functions (ON-OFF functions)

Table 14: List of programmable functions: Level 1




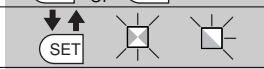

NO.	Description	example
L1	Closing speed	This function enables the selection of the motor speed during the closing manoeuvre, from 2 levels: "high" and "low". If the function is not enabled, the speed is set to "low".
L2	Opening speed	This function enables the selection of the motor speed during the opening manoeuvre, from 2 levels: "high" and "low". If the function is not enabled, the speed is set to "low".
L3	Automatic closure	Automatic closure This function enables automatic closure of the door after a programmed pause; the default Pause Time is set at 30 seconds but may be modified to 15 or 60 seconds (see table 16). If the function is not enabled, operation is set to "semi-automatic"

During normal operation of TEN, leds **L1**, **L2** and **L3** are lit or off depending on the status of the associated function, for example **L3** is lit if the function "Automatic closure" is enabled. **L1** also displays the status of the "radio" function in the first 10 seconds after power-up.

N.B.: if the motor speed is set to "high" on opening and closing and the motor force is set to "high", the deceleration phases are disabled (excluding deceleration in closure on approach to the mechanical stop).

7.2.2) Level 1 programming (ON-OFF functions)

The factory settings of Level 1 functions are all set to "OFF" but can be changed at any time as described in Table 15. Take into account that during the procedure there is a maximum time limit of 10 seconds between pressing one key and the next; if this limit is exceeded the procedure terminates automatically, memorising only the changes made up until that time.

Table 15: To modify the ON-OFF functions		Example
1.	Press and hold [Set] for approx. 3s	
2.	Release [Set] when led L1 starts flashing	
3.	Press keys [▲] or [▼] to move the flashing led to the led associated with the function to be modified	
4.	Press [Set] to change the status of the function (short flash = OFF; long flash = ON)	
5.	Wait 10s to exit the programming mode automatically after the maximum time interval.	

NOTE: points 3 and 4 can be repeated during the same programming phase to set other functions to ON or OFF

7.2.3) Level 2 functions (adjustable parameters)

Table 16: List of programmable functions: Level 2				
Input leds	Parameter	Led (level)	Value	Description
L1	Motor FORCE	L1	Low	Adjusts sensitivity of the motor force control to adapt it to the type of door "High" is most suited to large size heavy weight doors
		L2	Medium	
		L3	High *	
L2	SS function	L1	Open - Stop - Close -Open	Adjusts the sequence of commands associated with the SS input or the 1st radio command (see tables 7 and 8).
		L2	Open, Stop, Close, Stop	
		L3	Apartment block	
L3	Pause Time	L1	15 seconds	Adjusts the pause time, i.e. time before automatic closure is effective only if automatic closure is enabled
		L2	30 seconds	
		L3	60 seconds	

Note: "■" Represents factory settings

* if the motor speed is set to "high" on opening and closing and the motor force is set to "high", the deceleration phases are disabled (excluding deceleration in closure on approach to the mechanical stop).

All parameters can be adjusted as required without any contraindications, only the "Motor force" setting may require special attention:



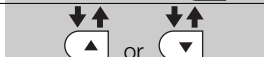

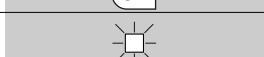



- Use of high force values are not recommended to compensate for the fact that the leaf has anomalous points of friction; excessive force may impair the safety system and damage the leaf.
- If the "Motor force control" is used in support of the system for impact force reduction, after each adjustment the force measure-

ment procedure must be performed, as envisaged by standard EN 12445.

- Wear and atmospheric conditions influence movement of the gate; force settings should be checked periodically

7.2.4) Level 2 programming (adjustable parameters)





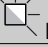







By default the settable parameters are set as shown in Table 16 with: "■" but these can be changed at any time as described in Table 17. Take into account that during the procedure there is a maximum time limit of 10 seconds between pressing one key and the next; if this limit is exceeded the procedure terminates automatically, memorising only the changes made up until that time.

Table 17: To change settable parameters		Example
1.	Press and hold [Set] for approx. 3s	
2.	Release the key [Set] when led L1 starts to flash	
3.	Press keys [▲] or [▼] to move the flashing led to the "input led" associated with the parameter to be modified	
4.	Press and hold [Set] during steps 5 and 6	
5.	Wait approx. 3s after which the led associated with the current level of the parameter to be modified will light up.	
6.	Press keys [▲] or [▼] to move the led associated with the parameter value	
7.	Release [Set]	
8.	Wait 10s to exit the programming mode automatically after the maximum time interval.	

Note: Points 3 to 7 can be repeated during the same programming phase to modify other parameters

7.2.5) Level 1 programming examples (ON-OFF functions)

















This example shows the sequence of operations required to change the factory setting of the functions to activate the functions of “High opening speed” (L2) and “Automatic Closure” (L3).

Table 18: Example of LEVEL 1 programming	Example
1. Press and hold [Set] for approx. 3s	 3s
2. Release the key [Set] when led L1 starts to flash	 L1 
3. Press the key [▼] once to move the flashing led onto led L2	  L2
4. Press [Set] once to change the status of the function associated with L2 (Opening speed) led L2 now emits long flashes	  L2
5. Press the key [▼] once to move the flashing led onto led L3	  L3
6. Press [Set] once to change the status of the function associated with L3 (Automatic closure) led L3 now emits long flashes	  L3
7. Wait 10s to exit the programming mode automatically after the maximum time interval.	 10s

At the end of these operations leds L2 and L3 must remain lit to indicate that the functions “High opening speed” and “Automatic closure” are enabled.

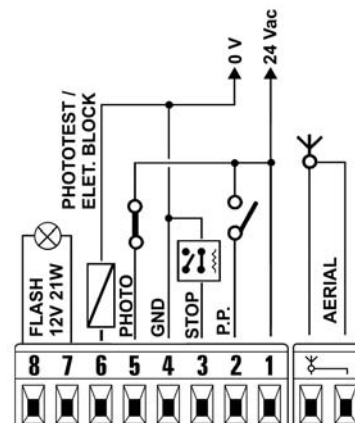
7.2.6) Example of Level 2 programming (adjustable parameters)

This example shows the sequence of operations required to change the factory setting of the parameters and set the functions of “Motor Force” to high (input on L1 and level on L3) and increase the “Pause Time” to 60s (input on L3 and level on L3).

Table 19: Example of Level 2 programming	Example
1. Press and hold [Set] for approx. 3s	 3s
2. Release the key [Set] when led L1 starts to flash	 L1 
3. Press and hold [Set] during steps 4 and 5	
4. Wait approx. 3s until led L2 lights up, indicating the current level of “Motor Force”	 L2 3s
5. Press the key [▼] once to move the illuminated led onto L3, indicating the new value of “Motor Force”	  L2
6. Release [Set]	
7. Press [▼] twice to move the flashing led onto led L3	  L3
8. Press and hold [Set] during steps 9 and 10	
9. Wait approx. 3s until led L2 lights up, indicating the current level of “Pause Time”.	 L2 3s
10. Press the key [▼] once to move the illuminated led onto L3, indicating the new value of “Pause Time”.	  L3
11. Release [Set]	
12. Wait 10s to exit the programming mode automatically after the maximum time interval.	 10s

7.3) Adding or removing devices

Devices can be added or removed at any time on an automation using TEN. In particular the inputs STOP and PHOTO can be connected to various types of device as indicated in paragraphs “7.3.1 STOP Input” and “7.3.2 Photocells”. Figure 33 shows the wiring diagram for connection of the various devices.



7.3.1) STOP input

STOP is the input that causes immediate shutdown of the movement followed by a brief inversion of the manoeuvre. This input can be connected to devices with contact types Normally Open (NO), Normally Closed (NC) or devices with a constant resistance of 8.2KΩ, such as sensitive edges.

The control unit recognises the type of device connected to the STOP input during the self-learning phase (see paragraph "4.3 - Learning the door opening and closing positions"); after which a STOP command is activated whenever a variation with respect to the learned status is detected.

When set accordingly, more than one device can be connected to the STOP input, also different from one another:

- Several NO devices can be connected in parallel with no limit to number.

- Several NC devices can be connected in series with no limit to number.
- Several devices with a constant resistance of 8,2KΩ can be connected "in cascade" with a single terminating resistance of 8,2KΩ
- It is possible to combine two NO and NC contacts, placing them in parallel, taking care to place a resistance of 8,2KΩ in series with the NC contact (this also enables the combination of 3 devices: NO, NC and 8,2 KΩ).

⚠ If the STOP input is used to connect devices with safety functions, only the devices with a constant resistance of 8,2KΩ guarantee safety category 3 against faults in accordance with the standard EN 954-1.

7.3.2) Photocells

The TEN control unit is equipped with the function "Phototest" which increases the reliability of the safety devices, enabling classification in category 2 in compliance with the standard EN 954-1 regarding the combination of the control unit and safety photocells.

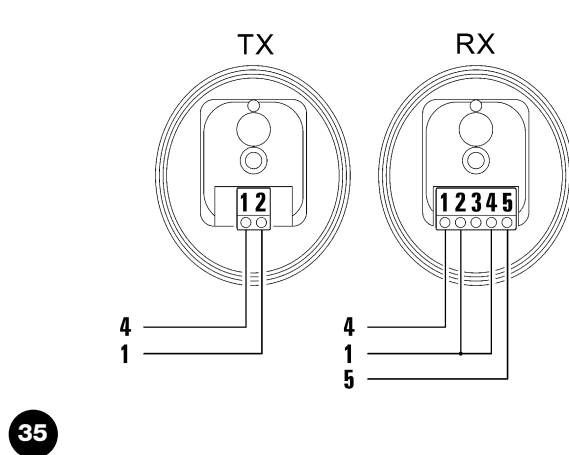
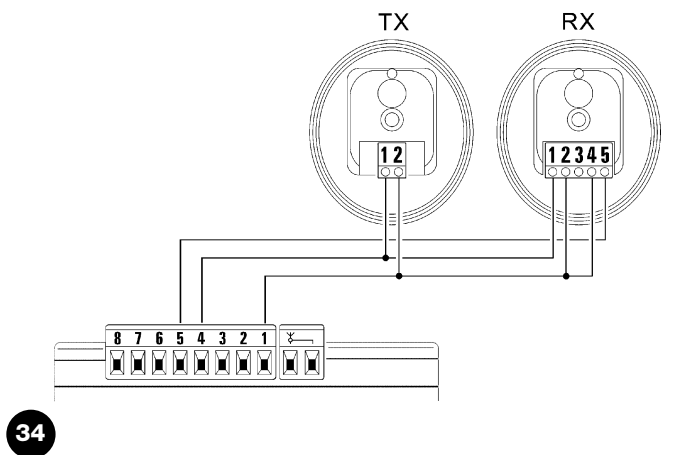
Each time a manoeuvre is started up, all safety devices are checked and the manoeuvre can be started only in the case of positive results.

If however the test fails (photocell "blinded" by sun, cables shorted etc.) the fault is identified and the manoeuvre is disabled.

For the "phototest" function, a specific connection is required of the photocell transmitters (see fig. 36 and 37). The control unit recognises the connection in "phototest" mode during the self-learning phase (see paragraph "4.3 Learning the door opening and closing positions").

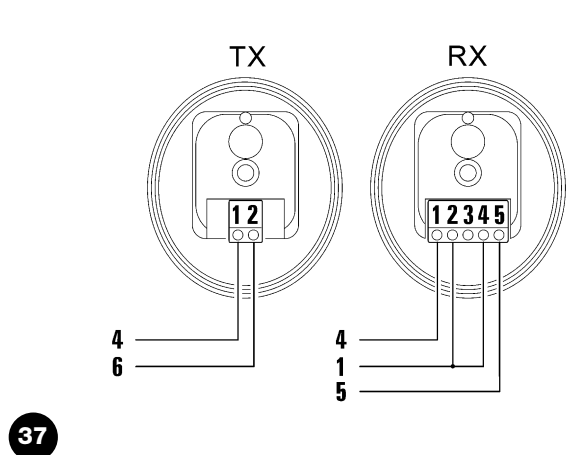
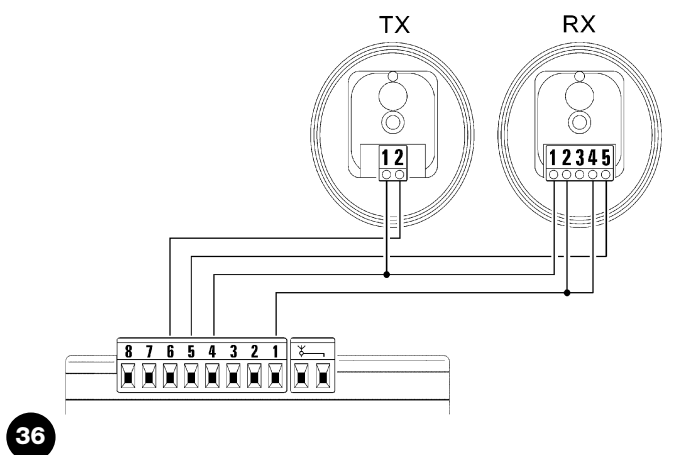
Connection without "Phototest" function (Figure 34 and Figure 35)

Power the transmitters and receivers directly from the control unit services output (terminals 1 - 4).



Connection with "Phototest" function (Figure 36 and Figure 37)

Power of the receivers comes directly from the services output (terminals 1 - 4), while that of the transmitters is from the "Phototest" output (terminals 6 - 4). The maximum admissible current on the "Phototest" output is 100mA.



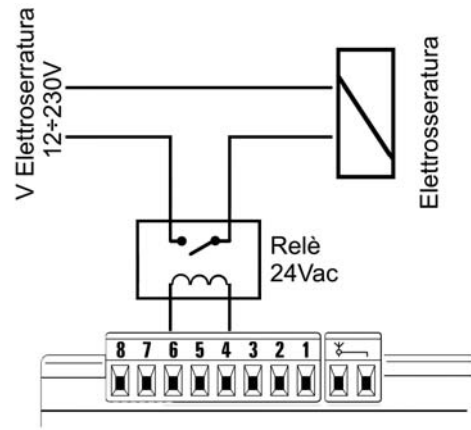
If two pairs of photocells are used, which may interfere with the other, activate the synchronisation mechanism as described in the photocell instructions.

7.3.3) Electric lock

The factory setting of the “phototest” output is with the “Phototest” function enabled.

Alternatively the output can be programmed on the TEN control unit for control of an electric lock. On start-up of each opening manoeuvre, the output is activated for 2 seconds; in this way an electric lock device can be connected. The output is not activated during the closing manoeuvre and therefore the electric lock must have a provision for mechanical reactivation.

The output can control the electric lock directly, but only with loads of 24Vac - 2W. The output must be interfaced with a relay, as shown in Figure 38.



38

7.3.4) Phototest / Electric lock function programming

The output on terminal 6 is factory set with the Phototest function enabled, but this can be changed to electric lock and vice versa at any time as specified in Table 20. This programming requires connection of the flashing light (or a lamp of 12V 21 Wmax.).

Table 20: Programming the output as Electric Lock (and vice versa as Phototest)	Example
1. Switch off TEN (for example by removing F2)	OFF
2. Press and hold [Set]	SET
3. Switch on TEN	ON
4. Keeping [Set] pressed, wait for start-up of the control unit (approx. 4s);	SET 4s
5. If the flashing light remains off, the input is programmed as Phototest; if the flashing light is on, the output is programmed as an electric lock	Light bulb icons
6. Keeping [Set] pressed, press and release [▼] (repeatedly if required). The flashing light will light up or turn off with the following meaning ON = electric lock OFF = phototest	SET, SET with down arrow, light bulb icons
7. Release [Set]	SET

After activating the “Phototest” function and making the relative connections of the photocells, the distance acquisition procedure must be performed as described in the paragraph “4.3 - Learning the door opening and closing positions”.

7.3.5) Deactivating variable sensitivity of obstacle detection

TEN has an obstacle detection system based on the motor force control.

The factory setting of sensitivity is variable: Greater sensitivity in the case of low motor force, and less sensitivity where the motor force increases. All with the aim of ensuring optimal detection precision.

There are some situations, such as strong gusts of wind, in which the system may detect a false obstacle. To avoid this problem in such situations, variable sensitivity can be disabled as shown in Table 21. 3 “fixed” levels of motor force remain (see Table 16).

Table 21: Disabling obstacle sensitivity and vice versa	Example
1. Switch off TEN (for example by removing F2)	OFF
2. Press and hold [Set]	SET
3. Switch on TEN	ON
4. Keeping [Set] pressed, wait for start-up of the control unit (approx. 4s);	SET 4s
5. If the courtesy light remains off, obstacle detection is programmed with “variable sensitivity”; if the courtesy light remains on, obstacle detection is programmed with “fixed sensitivity”;	Light bulb icons
6. Keeping [Set] pressed, press and release [▲] (repeatedly if required). The courtesy light will light up or turn off with the following meaning: ON = fixed sensitivity (maximum) OFF = variable sensitivity	SET, SET with up arrow, light bulb icons
7. Release [Set]	SET

If variable sensitivity is re-enabled after disabling the function, the distance acquisition procedure must be performed as described in the paragraph “4.3 - Learning the door opening and closing positions”

7.3.6) Programming the direction of TEN installation

TEN leaves the factory programmed for a straight installation as shown in Figure 5. If installation requires TEN to be turned over, as shown in Figure 7, the TEN control unit must be programmed as described in Table 22.

Table 22: Programming the direction of TEN installation	Example
1. Switch off TEN (for example by removing F2)	
2. Press and hold keys [Stop] and [Close]	
3. Switch on TEN	
4. Keeping [Stop] and [Close] pressed, wait for start-up of the control unit (approx. 4s);	4s
5. If leds P1, P2 and P3 are off, TEN is programmed for a straight installation as shown in Figure 5, if the leds are lit, TEN is programmed for installation in an upturned position as shown in Figure 7;	
6. Keeping [Stop] and [Close] pressed, press and release [Open] (repeatedly if required). Leds P1, P2 and P3 will illuminate or turn off with the following meaning: ON = upturned installation (Figure 7) OFF = straight installation (Figure 5)	
7. Release keys [Stop] and [Close]	

Caution: If the upturned installation is programmed, during normal operation the keys Open and Close have the opposite functions to those indicated on the control unit label.

7.4) Special functions

7.4.1) “Always open” function

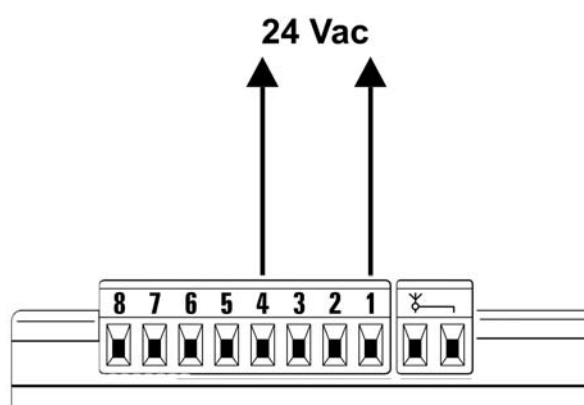
The “always open” function is a feature of the control unit that enables continuous activation of an opening manoeuvre when the “Step-by-step” command lasts more than 3 seconds; this can be useful for example to connect the SS terminal with the contact of a programme clock to keep the gate open during a specific time band. This feature is valid regardless of the setting of the input SS (see “Function SS” in Table 16).

7.4.2) “Move Anyway” function

In the event that a safety device malfunctions or is out of service, the door may still be moved in “hold-to-run” mode. For details, refer to the paragraph “Control with safety devices out of service” in the enclosure “Instructions and warnings for the TEN gearmotor user”.

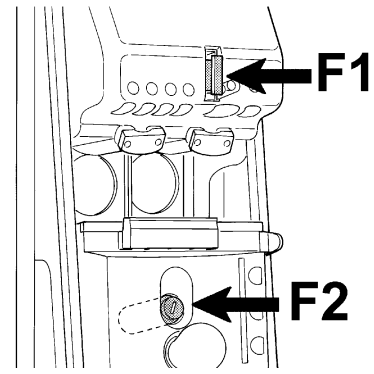
7.5) Connecting other devices

If external devices need to be powered, such as a proximity reader for transponder badges or the lighting of a key-operated selector switch, power can be supplied as shown in figure 39. The supply voltage is 24Vac (-30% +50%) with maximum available current of 100mA.



7.6) Troubleshooting guide

Table 23 provides some useful information to deal with any malfunctions that may occur during installation, or in the event of faults.



40

Table 23: troubleshooting

SYMPTOM	PROBABLE CAUSE AND POSSIBLE REMEDY
The radio transmitter does not control the door and the transmitter led does not illuminate	Check that the transmitter batteries are not discharged; replace if necessary.
The radio transmitter does not control the door but transmitter led illuminates	Check that the transmitter is correctly memorised on the radio receiver. Ensure correct emission of the radio signal of the transmitter with the following empirical test: Press a key and place the led against the aerial of a standard radio (the cheaper the better) switched on and tuned to FM at the frequency of 108.5Mhz or as close to this value as possible; a slight noise with a scratching pulse noise should be heard.
...no manoeuvre is activated and the OK led does not flash	Ensure that TEN is powered from a 230V mains. Check that fuses F1 and F2 are not blown; in this case, identify the cause of the fault and then replace with versions of the same current value and specifications (Figure 40).
...no manoeuvre is activated and the flashing light is off	Check that the command is effectively received. If the command reaches the SS input and the led OK emits a double flash to indicate that the command has been received.
...the manoeuvre does not start and the flashing light flashes a few times	Count the number of flashes and check with reference to the data in Table 24.
The manoeuvre starts but immediately afterwards a brief inversion is activated.	The selected force may be too low to move the door. Check whether there are any obstacles, and if necessary select a higher force.

7.7) Diagnostics and indicators

Some devices offer special direct indicators to display the relative operating status or malfunctions.

7.7.1) Signals with flashing light

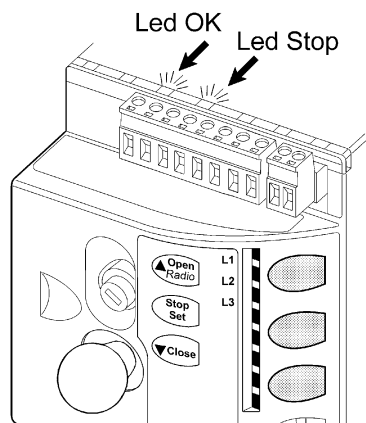
If a flashing light is connected it emits one flash per second during the manoeuvre; in the event of faults, the flashing frequency increases with flashes repeated twice, separated by a pause of a second (Table 23). The same conditions apply to the courtesy light.

Table 23: FLASH flashing light signals

Quick flashes	Cause	ACTION
2 flashes Pause of 1 second 2 flashes	Activation of a Photocell	At the start of the manoeuvre one or more photocells do not enable the movement; check for the presence of obstacles During closure this is normal if an obstacle is effectively present
3 flashes Pause of 1 second 3 flashes	Activation of Motor Force limiter	During movement, the door is subject to points of increased friction; check cause.
4 flashes Pause of 1 second 4 flashes	Stop input activation	At the start of or during movement, the STOP input is activated; check cause
5 flashes Pause of 1 second 5 flashes	Error in internal parameters of the electronic control unit	Wait at least 30 seconds and retry a command; if the condition persists, this may indicate a serious fault and the electronic board needs to be replaced
6 flashes Pause of 1 second 6 flashes	Maximum number of manoeuvres per hour exceeded	Wait a few minutes for the manoeuvre limiter to return within the maximum limit
7 flashes Pause of 1 second 7 flashes	Error in internal electric circuits	Disconnect all power circuits for a few seconds and then retry a command; if the condition persists this may indicate a serious fault with the board or motor wiring. Check and make replacements as necessary.

7.7.2) Signals on control unit

The TEN control unit is equipped with a series of LEDs, each of which provide specific signals, both during normal operation and in the event of faults (Figure 41).



41

Table 25: Leds on control unit terminals

Led OK	Cause	ACTION
Off	Malfunctions	Check for presence of the power supply; check that the fuses are not blown; in this case, identify the cause of the fault and then replace with versions with the same specifications.
On	Serious fault	This indicates a serious fault; try switching off the control unit for a few seconds; if the condition persists there is a fault and the electronic board needs to be replaced.
One flash per second	All Ok	Normal operation of control unit
2 quick flashes	An input status has varied	A variation to the status of the inputs SS, STOP, activation of the photocells, or when the radio transmitter is used, is normal.
Series of flashes separated by a pause of one second	Various	This is the same signal as on the flashing light. See table 23
STOP led	Cause	ACTION
Off	Stop input activation	Check the devices connected to the STOP input
On	All Ok	STOP input active

Table 26: leds on control unit keys

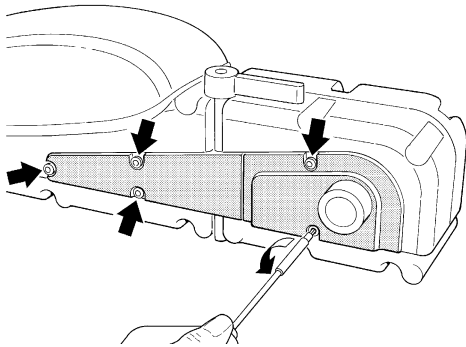
Led L1	Description
Off	During normal operation, indicates the function low "Closing speed"
On	During the first 15 seconds, indicates the transmitter memorisation in progress During normal operation, indicates the function high "Closing speed"
Flashing	<ul style="list-style-type: none"> Programming of functions in progress Deletion or diagnostics of radio transmitters
Led L2	Description
Off	During normal operation, indicates the function low "Opening speed"
On	During normal operation, indicates the function high "Opening speed"
Flashing	<ul style="list-style-type: none"> Programming of functions in progress If flashing together with L3, indicates that the acquisition procedure must be performed (see paragraph "4.3 - Learning the door opening and closing positions").
Led L3	Description
Off	During normal operation, indicates "Automatic closure" not active.
On	During normal operation, indicates "Automatic closure" active.
Flashing	<ul style="list-style-type: none"> Programming of functions in progress If flashing together with L2, indicates that the acquisition procedure must be performed (see paragraph "4.3 - Learning the door opening and closing positions").

7.8) Accessories

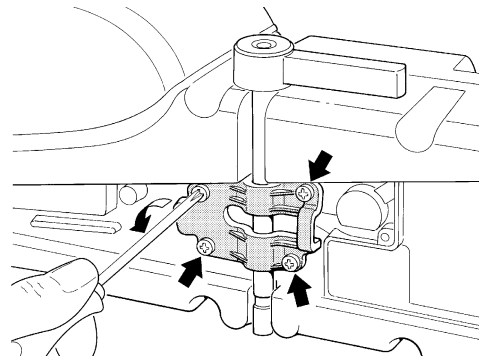
The following accessories are available with TEN. Refer to the Nice S.p.A. product catalogue for a complete and updated list of the accessories.

- TNA1** Spare control unit for TN2030 and TNKCE
- OTA2** Support bracket for motor length 1250mm
- OTA3** Support bracket for motor length 2000mm
- TNA4** Pair of transmission shaft lengths 1500mm
- TNA5** Pair of standard straight telescopic arms
- TNA6** Pair of standard curved telescopic arms
- TNA8** Pair of transmission shaft lengths 200 mm
- OTA11** Kit for external release by means of metal cord
- OTA12** Kit for external release by means key operated catch
- TNA38** Gear device for 1 pair of transmission shafts
- TS** Warning sign table

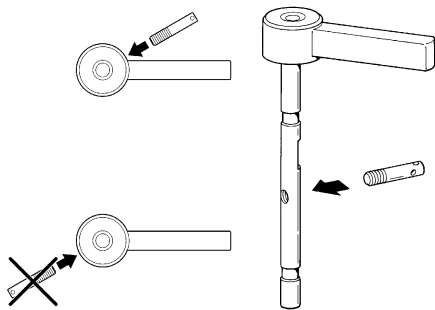
7.8.1) Pre assembly for OTA11



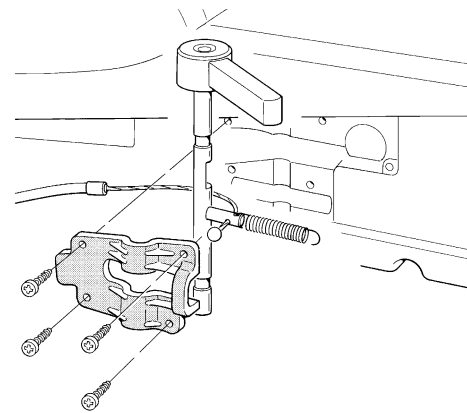
42 Loosen the screws and remove the lateral covers



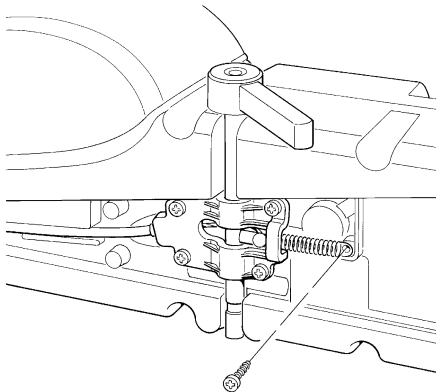
43 Loosen the screws and remove the sleeve



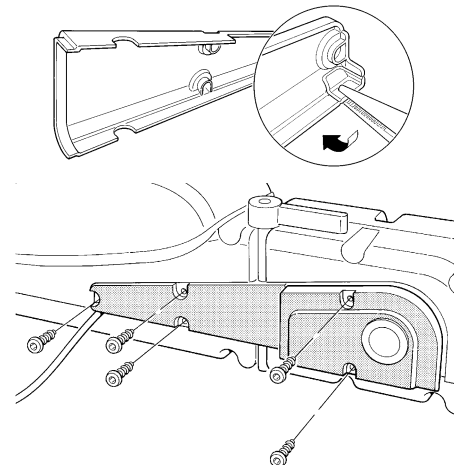
44 Tighten the pin supplied, taking care to ensure the correct position with respect to the handle



45 Insert the cord and spring, as shown



46 Fix the spring with the 4.2x13 screw supplied, re-tighten the sleeve and insert the sheath.



47 Pierce the pre-cut element on the cover and re-close the assembly, taking care not to crush the seal.

8) Technical specifications

For purposes of product improvements, Nice S.p.a. reserves the right to apply modifications to technical specifications at any time when deemed necessary, while maintaining the same functionalities and intended use.

All technical specifications stated in this section refer to an ambient temperature of 20°C (± 5°C).

Technical specifications: TEN					
Model	TN2020	TN2030	TNKCE	TN2030+TN2020	
Type	/	Electromechanical gearmotor for the automatic movement of projecting and non-projecting up-and-over doors for residential use, complete with electronic control unit			
Maximum start-up torque	320 Nm	320 Nm	280 Nm	420 Nm	
Nominal torque	220 Nm	220 Nm	200 Nm	280 Nm	
Speed under no-load	1.4 (24Vcc)	1.7rpm; the control unit enables programming of the 2 following speeds: 1rpm or 1.7rpm			
Speed at nominal torque	0.9 (24Vcc)	1.2rpm			
Maximum frequency of operating cycles * (the control unit limits cycles to the maximum value specified in tables 3 and 4)	25 cycles / hour	20 cycles / hour	15 cycles / hour	10 cycles / hour	
Maximum continuous operation time (the control unit limits continuous operation to the maximum value specified in tables 3 and 4)	14 minutes	11 minutes	10 minutes	8 minutes	
Limits of use	In general TEN is able to automate balanced doors with surface areas up to 8m ² with 1 motor and up to 14m ² with 2 motors, within the limits specified in table 2.				
Durability	Estimated between 10.000 cycles and 50.000 cycles according to conditions specified in table 5				
TEN Power supply	24 Vcc (-30% +50%)	230Vac (-10% +15%) 50/60Hz.			
TEN/V1 Power supply		120Vac (-10% +15%) 50/60Hz.			
Maximum power absorption with 1 motor Maximum power absorption with 2 motors	130 W (5.5A)	220 W (1A)	200 W (0.9A)	330 W (1.4A)	
Insulation class	III	I	I	I	
Buffer battery power	no				
Courtesy light	12V/10W fitting BA15S				
Flashing light Output	/	For 1 flashing light model LUCYB; MLB or MLBT (lamp 12V, 21W)			
Phototest/electric lock output	/	24Vac /2W			
STOP input	/	For normally closed and normally open contacts or with constant resistance of 8,2Kohm; in self-learning mode (a status variation generates the "STOP" command)			
SS input	/	For normally open contacts (closure of the contact generates the SS command)			
Radio AERIAL input	/	52 ohm for cable type RG58 or similar			
Radio receiver	/	Built-in			
Programmable functions	/	3 ON-OFF type functions and 3 adjustable functions (see tables 15 and 17)			
Functions in self-learning mode	/	Self-learning of "STOP" type device (contact type NO, NC or resistance 8,2KΩ). Self-learning of door opening and closing positions and calculation of deceleration and partial open points			
Operating temperature	-20°C ÷ 50°C				
Use in particularly acid, saline or potentially explosive environments	No				
Protection rating	IP 44				
Dimensions and weight	512 x 150 h 158				
Weight	7.2 Kg	9.5 Kg	15.5 Kg		
		TN2020	TN2030	TNKCE	TN2030+TN2020
* At 50°C the maximum operating frequency is (cycles/hour):		"6"	"4"	"4"	"3"
** At 50°C the maximum continuous operation time is (minutes):		"6"	"5"	"5"	"4"

Technical specifications	incorporated radio receiver
Type	4-channel receiver for incorporated radio control
Frequency	433.92MHz
Coding	Digital code fixed at 12 Bit, type FLO Digital Rolling code at 52 Bit, type FLOR Digital Rolling code at 64 Bit, type SMILO
Transmitter compatibility (1)	A) FLO, VERY VE B) FLOR, VERY VR; single group only: ERGO, PLANO, PLANOTIME, NICEWAY (entire range) C) SMILO
Transmitter memory capacity	Up to 160 if memorised in Mode I
Input impedance	52Ω
Sensitivity	Above 0.5μV
Transmitter range	Up to 150 m free field; up to 35m inside buildings. This distance can vary considerably in the presence of obstacles or electromagnetic disturbance and is influenced by the position of the receiver aerial.
Outputs	For commands as specified in tables 8 and 9
Operating temperature	-20°C ÷ 55°C

Note 1: The first entered transmitter also determines the type of those that can be entered subsequently

Technical specifications	Transmitter: FLO2	Transmitter: FLO2R-S	Transmitter: SM2
Type	2-channel transmitter for radio control		
Frequency	433.92MHz		
Coding	Digital code fixed at 12 Bit, type FLO	Digital Rolling code at 52 Bit, type FLOR	Digital Rolling code at 64 Bit, type SMILO
Keys	2		
Power supply	12Vdc with battery type 23A		
Absorption	25mA		
Battery lifetime	1 year, estimated on the basis of 20 commands/day of the duration of 1s at 20°C (battery efficiency is reduced at low temperatures)		
Radiated power	100μW		
Dimensions and weight:	72 x 40 h 18mm / 30g	72 x 40 h 18mm / 30g	Diameter 48 h14mm / 19g
Protection rating	IP 40 (use in the home or protected environments)		
Operating temperature	-40°C ÷ 85°C		

Instructions and warnings for TEN gearmotor users

These instructions can integrate the "Automation use instructions and warnings" to be delivered by the installer to the automation owner, and in any event must be integrated with this document.

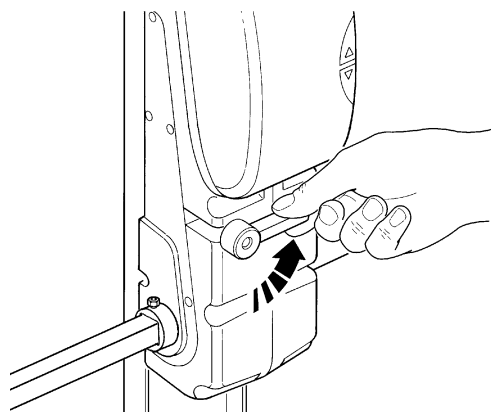
GB

Congratulations for having chosen a Nice product for your automation system! Nice S.p.A. produces components for the automation of gates, doors, rolling gates, roller shutters and awnings: gearmotors, control units, radio controls, flashing lights, photocells and miscellaneous accessories. Nice uses only the finest materials and first-class workmanship. It focuses on the development of innovative solutions designed to simplify the use of its equipment, dedicating meticulous care to the study of its technical, aesthetic and ergonomic characteristics: From the wide range of Nice products, your installation technician will certainly have selected the one best suited to your specific requirements. However, Nice is not the producer of your automation system, which is rather the result of a combination of operations carried out by your installation technician, namely analysis, evaluation, selection of materials and system implementation. Each automation system is unique. Your installation technician is the only person who possesses the experience and professionalism needed to set up a system capable of satisfying your requirements, a system that is safe, reliable, long lasting and built in accordance with the regulations in force. An automation system is not only very convenient; it also improves the level of security in your home. Moreover, it will last for years with very little maintenance. Even though the automation system you possess meets the safety requirements of the legislation in force, this does not exclude the existence of a "residual risk", i.e. the possibility that dangers may arise, usually as a result of improper or unreasonable use. We have prepared the following list of do's and don'ts to help you avoid any mishaps:

- **Before using your automation system for the first time**, ask the installer to explain the origin of any residual risks; take a few minutes and read the users **instructions manual given you by the installer**. Retain the manual for future use and deliver it to any subsequent owner of the automation system.
- **Your automation system is a machine that will faithfully execute your commands**; unreasonable or improper use may generate dangers: do not operate the system if there are people, animals or objects within its range of operation.
- **Children**: automation systems are designed to guarantee high levels of safety and security. They are equipped with detection devices that prevent movement if people or objects are in the way, guaranteeing safe and reliable activation. However, children should not be allowed to play in the vicinity of automated systems; to prevent any accidental activations, keep all remote controls away from children: **they are not toys!**
- **Malfunctions**: If you notice that your automation is not functioning properly, disconnect the power supply to the system and operate the manual release device. Do not attempt to make any repairs; call the installation technician and, in the meantime, operate the system like a non-automatic door after releasing the gearmotor as described below.
- **Maintenance**: Like any machine, your automation needs regular periodic maintenance to ensure its long life and total safety. Arrange a periodic maintenance schedule with your installation technician. Nice recommends that maintenance checks be carried out every six months for normal domestic use, but this interval may vary depending on the intensity of use. Only qualified personnel are authorized to carry out checks, maintenance operations and repairs.
- Do not modify the system or its programming and adjustment parameters in any way, even if you feel capable of doing it: your installation technician is responsible for the system.
- The final test, the periodic maintenance operations and any repairs must be documented by the person who has performed them; these documents must remain under the custody of the owner of the system.
The only recommended maintenance operations that the user can perform periodically concern the cleaning of the photocell glasses and the removal of leaves and debris that may impede the automation. To prevent anyone from activating the door **release the automation system** (as described below). Use a slightly damp cloth to
- **Disposal**: At the end of its useful life, the automation must be dismantled by qualified personnel, and the materials must be recycled or disposed of in compliance with the legislation locally in force.
- **In the event of malfunctions or power failures**. While you are waiting for the technician to come (or for the power to be restored if your system is not equipped with buffer batteries), you can operate the system like any non-automatic door. In order to do this you need to manually release the gearmotor (this operation is the only one that the user of the automation is authorized to perform): This operation has been carefully designed by Nice to make it extremely easy, without any need for tools or physical exertion.

Manual release and movement: before performing this operation, take care that the release is activated only when the leaf is stationary.

To release, rotate the handle anti-clockwise and manually move the leaf (Figure 48)



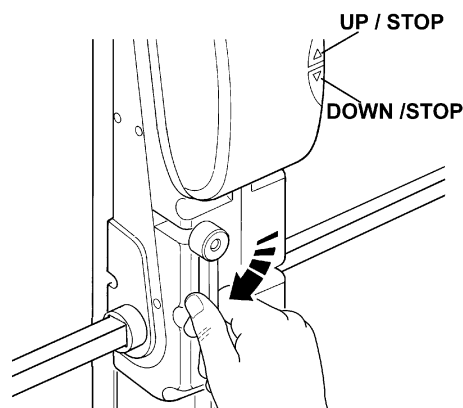
48

Control with safety devices disabled: in the event of a malfunction of the safety devices on the door, movement is still possible.

- Activate the door command (by means of the remote control, key-operated selector switch, etc.); if all is in working order the door opens and closes normally; otherwise the flashing light flashes several times and the manoeuvre is disabled (the number of flashes depends on the reason for which the manoeuvre is inhibited).
- In this case, **press and hold the command** again within three seconds.
- After approx. 2s door movement is started in “hold-to-run” mode, i.e. as long as the command is pressed the door continues to move; and stops immediately on release of the control.

In the event of safety device malfunction, arrange for repairs to the automation immediately.

To reset, return the handle to the vertical position by turning it clockwise, and manually move the leaf until it engages (Figure 49)



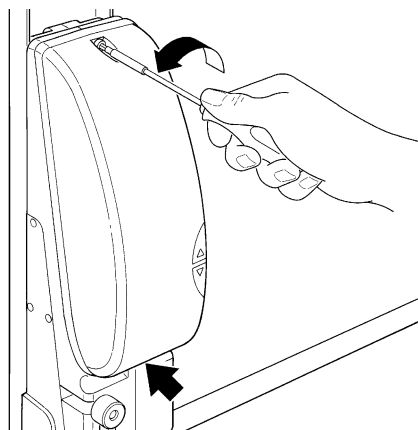
49

Remote control battery replacement: after a certain period of time, if you notice a deterioration in performance of the remote control, or if it stops working completely, it may simply be due to a flat battery (depending on the use, the battery can last from several months to over a year). This is indicated by the fact that the transmission indicator does not light up, is faded, or only lights up briefly. Before contacting the installer, change the battery with one from another operative transmitter: if this is the cause of the fault, simply replace the battery with one of the same type.

Caution: Batteries contain pollutant substances: never dispose of in common waste disposal units, and observe all local regulations for the procedures required.

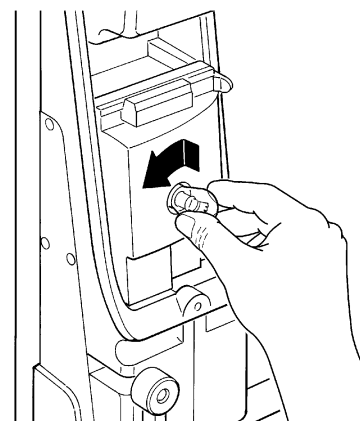
Lamp replacement: before performing this operation, disconnect the power supply from TEN.

1. Loosen the screws to open the cover as shown in (Figure 50).



50

2. Unscrew the lamp and replace with a new version of 12V/10 W fitting BA15S (Figure 51) .



51

Satisfied? Should you wish to add a new automation system to your home, contact both your local installer and Nice to guarantee specialist consultancy and state-of-the art products on the market, for optimal operation and maximum compatibility of automations.

Thank you for reading this information. We wish you total satisfaction with your system. For all present and future requirements contact your local installer.

Ten

Indice:	pag.				
1	Avvertenze	31	7	Approfondimenti	44
2	Descrizione del prodotto e destinazione d'uso	32	7.1	Tasti di programmazione	44
2.1	Limiti d'impiego	32	7.2	Programmazioni	44
2.2	Verificare i componenti del prodotto	33	7.2.1	Funzioni primo livello (funzioni ON-OFF)	44
2.3	Impianto tipico	34	7.2.2	Programmazione primo livello (funzioni ON-OFF)	45
2.4	Elenco cavi	34	7.2.3	Funzioni secondo livello (parametri regolabili)	45
3	Installazione	35	7.2.4	Programmazione secondo livello (parametri regolabili)	45
3.1	Verifiche preliminari	35	7.2.5	Esempio di programmazione primo livello (funzioni ON-OFF)	46
3.2	Installazione del motoriduttore	35	7.2.6	Esempio di programmazione secondo livello (parametri regolabili)	46
3.3	Regolazione dei finecorsa	38	7.3	Aggiunta o rimozione dispositivi	46
3.4	Installazione dei vari dispositivi	38	7.3.1	Ingresso STOP	47
3.5	Collegamenti elettrici	38	7.3.2	Fotocelle	47
3.5.1	Descrizione dei collegamenti elettrici	39	7.3.3	Elettroserratura	48
3.5.2	Collegamento elettrico secondo motore	39	7.3.4	Programmazione funzione Fototest / Elettroserratura	48
4	Verifiche finali ed avviamento	39	7.3.5	Disattivazione Sensibilità variabile alla rilevazione ostacoli	48
4.1	Selezione tipo di installazione	39	7.3.6	Programmazione del verso di installazione di TEN	49
4.2	Allacciamento dell'alimentazione	40	7.4	Funzioni particolari	49
4.3	Apprendimento delle posizioni di apertura e chiusura del portone	40	7.4.1	Funzione "Apri sempre"	49
4.4	Verifica del movimento del portone	40	7.4.2	Funzione "Muovi comunque"	49
4.5	Funzioni preimpostate	40	7.5	Collegamento altri dispositivi	49
4.6	Ricevitore radio	40	7.6	Risoluzione dei problemi	50
4.7	Memorizzazione dei trasmettitori radio	41	7.7	Diagnostica e segnalazioni	50
4.7.1	Memorizzazione modo I	41	7.7.1	Segnalazione con lampeggiante	50
4.7.2	Memorizzazione modo II	42	7.7.2	Segnalazioni sulla centrale	51
4.7.3	Memorizzazione "vicino al ricevitore"	42	7.8	Accessori	52
4.7.4	Cancellazione dei trasmettitori radio	42	7.8.1	Pre montaggio per OTA11	52
5	Collaudo e messa in servizio	43	8	Caratteristiche tecniche	53
5.1	Collaudo	43		Istruzioni ed avvertenze destinate all'utilizzatore del motoriduttore TEN	55
5.2	Messa in servizio	43			
6	Manutenzione e smaltimento	43			
6.1	Manutenzione	43			
6.2	Smaltimento	44			

1) Avvertenze

Questo manuale di istruzioni contiene importanti informazioni riguardanti la sicurezza per l'installazione, è necessario leggere tutte le istruzioni prima di procedere all'installazione. Conservare con cura questo manuale anche per utilizzi futuri.

Considerando i pericoli che si possono verificare durante l'installazione e l'uso di TEN, per la massima sicurezza è necessario che l'installazione avvenga nel pieno rispetto di leggi, norme e regolamenti. In questo capitolo verranno riportate avvertenze di tipo generico; altre importanti avvertenze sono presenti nei capitoli "3.1 Verifiche preliminari"; "5 Collaudo e messa in servizio".

⚠ Secondo la più recente legislazione europea, l'automazione di una porta o cancello ricade in quanto previsto dalla Direttiva Macchine 98/37/CE e nel particolare, alle norme: EN 13241-1 (norma armonizzata); EN 12445; EN 12453 ed EN 12635, che consentono di dichiarare la conformità alla direttiva macchine.

Ulteriori informazioni, linee guida all'analisi dei rischi ed alla realizzazione del Fascicolo Tecnico, sono disponibili su: "www.niceforyou.com". Il presente manuale è destinato solamente al personale tecnico qualificato per l'installazione. Salvo lo specifico allegato da staccare a cura dell'installatore "Istruzioni ed avvertenze destinate all' utilizzatore del motoriduttore TEN" nessuna altra informazione contenuta nel presente fascicolo può essere considerata d'interesse per l'utilizzatore finale!

- L'uso di TEN diverso da quanto previsto in queste istruzioni è vietato; usi impropri possono essere causa di pericoli o danni a persone e cose.
- Prima di iniziare l'installazione è necessario eseguire l'analisi dei rischi che comprende l'elenco dei requisiti essenziali di sicurezza previsti nell'allegato I della Direttiva Macchine, indicando le relative soluzioni adottate. Si ricorda che l'analisi dei rischi è uno dei documenti che costituiscono il fascicolo tecnico dell'automazione.
- Verificare la necessità di ulteriori dispositivi per completare l'automazione con TEN in base alla specifica situazione d'impiego ed ai pericoli presenti; devono essere considerati ad esempio i rischi di impatto, schiacciamento, cesoiamento, convogliamento, ecc., ed altri pericoli in genere.
- Non eseguire modifiche su nessuna parte se non previste nelle presenti istruzioni; operazioni di questo tipo possono solo causare malfunzionamenti; NICE declina ogni responsabilità per danni derivati da prodotti modificati.
- Durante l'installazione e l'uso evitare che parti solide o liquidi possano penetrare all'interno della centrale e di altri dispositivi aperti; eventualmente rivolgersi al servizio di assistenza NICE; l'uso di TEN in queste situazioni può causare situazioni di pericolo
- L'automatismo non può essere utilizzato prima di aver effettuato la messa in servizio come specificato nel capitolo: "5 Collaudo e messa in servizio".
- Il materiale dell'imballaggio di TEN deve essere smaltito nel pieno rispetto della normativa locale.
- Nel caso di guasto non risolvibile facendo uso delle informazioni riportate nel presente manuale, interpellare il servizio di assistenza NICE.
- Qualora si verificassero interventi di interruttori automatici o di fusibili, prima di ripristinarli è necessario individuare ed eliminare il guasto.
- Prima di accedere ai morsetti interni al coperchio di TEN scollegare tutti i circuiti di alimentazione; se il dispositivo di sconnessione non è a vista apporvi un cartello: "ATTENZIONE MANUTENZIONE IN CORSO".

Avvertenze particolari sull'idoneità all'uso di questo prodotto in relazione alla Direttiva "Macchine" 98/37/CE (ex 89/392/CEE):

- Questo prodotto viene immesso sul mercato come "componente di macchina" e quindi costruito per essere incorporato in una macchina o per essere assemblato con altri macchinari al fine di realizzare "una macchina" ai sensi della Direttiva 98/37 CE solo in abbinamento agli altri componenti e nei modi così come descritto nel presente manuale di istruzioni. Come previsto dalla direttiva 98/37 CE si avverte che non è consentita la messa in servizio di questo prodotto finché il costruttore della macchina, in cui questo prodotto è incorporato, non l'ha identificata e dichiarata conforme alla direttiva 98/37/CE.

Avvertenze particolari sull'idoneità all'uso di questo prodotto in relazione alla Direttiva "Bassa Tensione" 73/23/CEE e successiva modifica 93/68/CEE.

- Questo prodotto risponde ai requisiti previsti dalla Direttiva "Bassa Tensione" se impiegato per l'uso e nelle configurazioni previste in questo manuale di istruzioni ed in abbinamento con gli articoli presenti nel catalogo prodotti di Nice S.p.a. Potrebbero non essere garantiti i requisiti se il prodotto è usato in configurazioni o con altri prodotti non previsti; è vietato l'uso del prodotto in queste situazioni finché chi esegue l'installazione non abbia verificato la rispondenza ai requisiti previsti dalla direttiva.

Avvertenze particolari sull'idoneità all'uso di questo prodotto in relazione alla Direttiva "Compatibilità Elettromagnetica" 89/336/CEE e successiva modifiche 92/31/CEE e 93/68/CEE:

- Questo prodotto è stato sottoposto alle prove relative alla compatibilità elettromagnetica nelle situazioni d'uso più critiche, nelle configurazioni previste in questo manuale di istruzioni ed in abbinamento con gli articoli presenti nel catalogo prodotti di Nice S.p.a. Potrebbe non essere garantita la compatibilità elettromagnetica se il prodotto è usato in configurazioni o con altri prodotti non previsti; è vietato l'uso del prodotto in queste situazioni finché chi esegue l'installazione non abbia verificato la rispondenza ai requisiti previsti dalla direttiva.

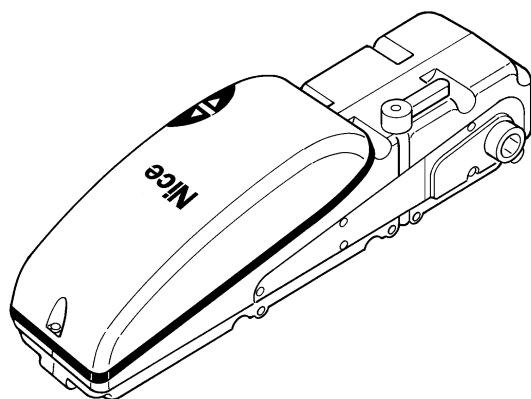
2) Descrizione prodotto

TEN (Figura 1) è un motoriduttore (Tabella 1) per l'automazione di porte basculanti a contrappesi; basculanti a molle; debordanti e non, e snodati. TEN è in grado di raggiungere il limite della corsa (in apertura e chiusura) attraverso una fase di rallentamento. Inoltre controlla costantemente lo sforzo a cui è sottoposto durante le manovre, rilevando eventuali anomalie come, ad esempio, un ostacolo improvviso che blocca il movimento dell'anta; in questo caso l'automazione esegue uno stop ed una breve inversione del moto.

Tabella 1: descrizione composizione TEN

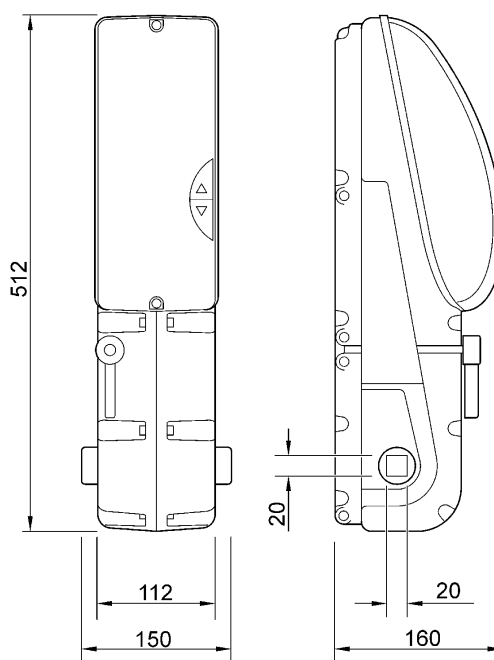
Modello tipo	Descrizione
TN2020*	Motoriduttore irreversibile e luce di cortesia. Da utilizzare come "Slave" di TN2010 o TN2030
TN2030	Motoriduttore irreversibile, centrale di comando, fine corsa meccanico in apertura e chiusura e luce di cortesia
TNKCE	Motoriduttore irreversibile, centrale di comando, fine corsa meccanico in apertura e chiusura e luce di cortesia. Disponibile solo in Kit e adatto per automazione con 1 solo motore centrale.

* Se viene utilizzato diversamente assicurarsi che l'alimentazione provenga da un sistema a bassissima tensione di sicurezza e nel quale non si generano tensioni superiori alla bassissima tensione di sicurezza.



1

Prima di procedere all'installazione, verificare l'integrità dei componenti del prodotto, l'adeguatezza del modello scelto e l'idoneità dell'ambiente destinato all'installazione



2.1) Limiti d'impiego

I dati relativi alle prestazioni di TEN sono riportati nel capitolo "8 Caratteristiche tecniche" e sono gli unici valori che consentono la corretta valutazione dell'idoneità all'uso. Generalmente TEN è in grado di automatizzare basculanti secondo i limiti riportati in tabella 2.

Tabella 2: limiti d'impiego motoriduttori TEN

Tipologia portone	Motorizzato con 1 motore		Motorizzato con 2 motori	
	Altezza max 2.6m	Lunghezza max 3m	Altezza max 2.6m	Lunghezza max 5.4m
Basculante debordante	Altezza max 2.6m	Lunghezza max 3m	Altezza max 2.6m	Lunghezza max 5.4m
Basculante non debordante	Altezza max 2.6m	Lunghezza max 3m	Altezza max 2.6m	Lunghezza max 5.4m

Le misure in tabella 2 sono indicative e servono solo per una stima di massima. La reale idoneità di TEN ad automatizzare un determinato portone dipendono dal grado di bilanciamento dell'anta, dagli attriti delle guide e da altri fenomeni, anche occasionali, come la pressione del vento o la presenza di ghiaccio che potrebbero ostacolare il movimento dell'anta. Per una verifica reale è assolutamente indispensabile misurare la forza necessaria per muovere l'anta in tutta la sua corsa e controllare che questa non superi la "coppia nominale" riportata nel capitolo "8 Caratteristiche tecniche"; inoltre per stabilire il numero di cicli/ora e cicli consecutivi occorre considerare quanto riportato nelle tabelle 3 e 4.

Tabella 3: limiti in relazione alla forza necessaria per muovere l'anta con 1 TNKCE o TN2030

Forza per muovere l'anta (Nm)	Cicli/ora massimi			Cicli consecutivi massimi		
	TNKCE	TN2020	TN2030	TNKCE	TN2020	TN2030
Fino a 120	20	30	25	25	33	27
120÷180	18	28	23	23	31	25
180÷220	15	25	20	20	28	22

Tabella 4: limiti in relazione alla forza necessaria per muovere l'anta con 1 TN2030 +1 TN2020

Forza per muovere l'anta (Nm)	Cicli/ora massimi	Cicli consecutivi massimi
Fino a 150	15	20
150÷250	13	17
250÷350	10	15

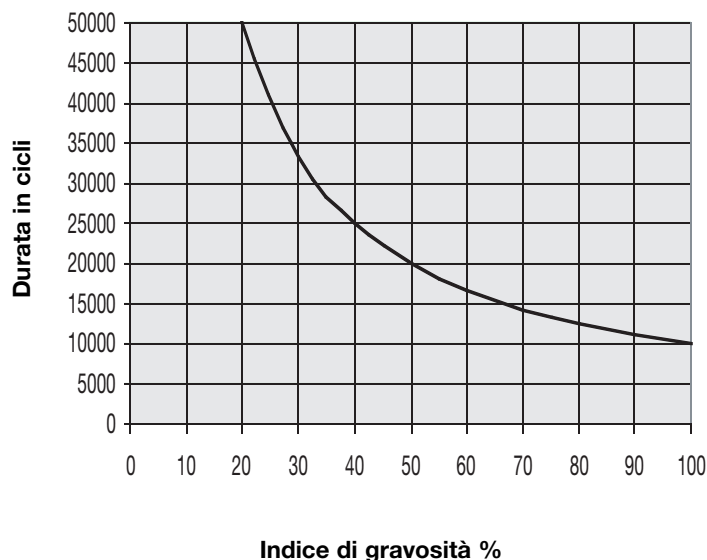
Per evitare surriscaldamenti la centrale prevede un limitatore che si basa sullo sforzo e sulla durata dei cicli, intervenendo quando viene superato il limite massimo.

Nel capitolo "8 Caratteristiche tecniche" è riportata la stima di "durabilità" cioè di vita economica media del prodotto. Il valore è fortemente influenzato dall'indice di gravosità delle manovre, cioè la somma di tutti i fattori che concorrono all'usura. Per effettuare la stima occorre sommare tutti gli indici di gravosità della Tabella 5, poi con il risultato totale verificare nel grafico la curabilità stimata. Ad esempio TNKCE su un portone di 130Kg, che necessita di una forza per muoverlo di 150Nm, dotato di fotocellule e senza altri elementi di affaticamento, ottiene un indice di gravosità pari al 60% (30+20+10). Dal grafico la durabilità stimata è 18.000 cicli.

Si precisa che la stima di durabilità viene fatta sulla base dei calcoli progettuali e dei risultati di prove effettuate sui prototipi; essendo una stima non rappresenta alcuna garanzia sulla effettiva durata del prodotto.

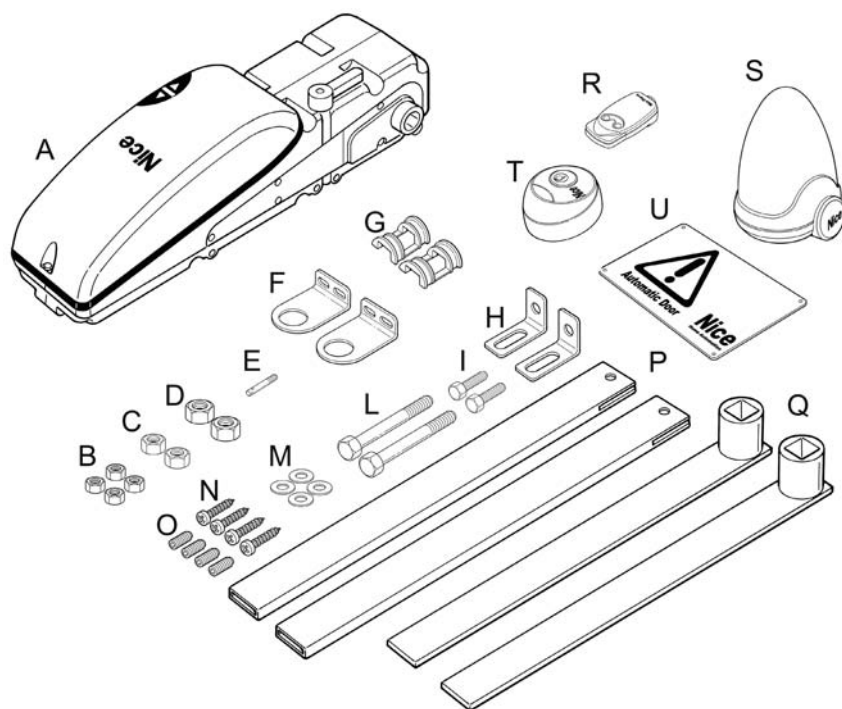
Tabella 5: stima della durabilità in relazione all'indice di gravosità della manovra

Indice di gravosità %	TNKCE	TN2030	
	TN2030	TN2020	+
Peso dell'anta Kg			
Fino a 70	20	10	
70 ÷ 150	30	20	
150 ÷ 200	40	30	
Oltre 200	60	50	
Forza per muovere l'anta N			
Fino a 100	10	5	
100 ÷ 180	20	15	
180 ÷ 220	40	30	
220 ÷ 280	-	50	
Altri elementi di affaticamento			
(da considerare se la probabilità che accadano è superiore al 10%)			
Temperatura ambientale superiore a 40°C o inferiore a 0°C o umidità superiore all'80%	10	10	
Presenza di polvere o sabbia	15	15	
Presenza di salsedine	20	20	
Interruzione manovra da Foto	10	10	
Interruzione manovra da Alt	20	20	
Velocità alta	15	15	
Totale indice di gravosità %:			



2.2) Verificare i componenti del prodotto

- Verificare l'integrità della confezione;
- **Disimballare il prodotto e accertare la presenza di quanto sotto descritto (Figura 2):**

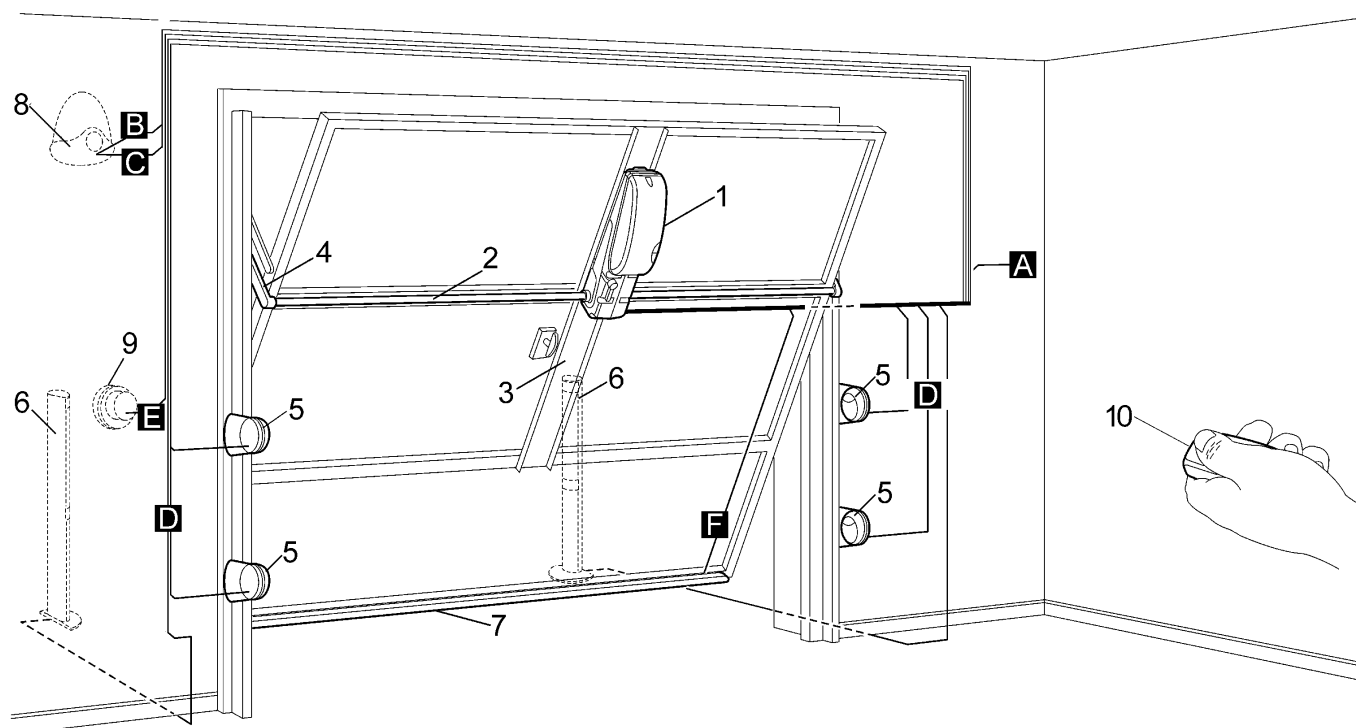


N° PZ.	TNKCE
A	1 Motoriduttore TEN
B	4 Dadi M6
C	2 Dadi M8
D	2 Dadi M10
E	1 Astina di sblocco
F	2 Staffa supporto braccio
G	2 Boccola adattatore
H	2 Staffa attacco superiore
I	2 Vite M10x30
L	2 Viti M8x110
M	4 Rondelle Ø8
N	4 Viti autofilettante 5.3x19
O	4 Grani filettati M6x14
P	2 Tubo telescopico
Q	2 Braccio dritto con bussola saldata
R	1 Telecomando
S	1 Lampeggiante
T	2 Selettore
U	1 Tabella segnaletica

N° PZ.	TN2030 - TN2020
A	1 Motoriduttore TEN
B	2 Dadi M6
C	2 Dadi M8
E	1 Astina di sblocco
L	2 Viti M8x110
M	2 Rondelle Ø8
O	2 Grani filettati M6x14

2.3) Impianto tipico

La figura 3 mostra l'installazione tipica di un'automazione per porte basculanti, realizzata con TEN.



2

- | | |
|----------------------------|--|
| 1 TEN | 7 Bordo sensibile |
| 2 Tubo quadro 20x20 | 8 Lampeggiante 12V con antenna incorporata |
| 3 Staffa di supporto | 9 Selettore a chiave |
| 4 Braccio telescopico | 10 Trasmettitore radio |
| 5 Fotocellule | |
| 6 Fotocellule su colonnina | |

2.4) Elenco cavi

Nell'impianto tipico di figura 3 sono indicati i cavi necessari per i collegamenti dei vari dispositivi; in tabella 6 sono indicate le caratteristiche dei cavi.

⚠ I cavi utilizzati per i collegamenti dei vari dispositivi devono essere adatti al tipo di installazione: ad esempio si consiglia un cavo tipo H03VV-F se posto all'interno.

Tabella 6: elenco cavi

Collegamento	Tipo di cavo	Lunghezza massima consentita
A: Linea elettrica di alimentazione	n°1 cavo (3x1,5mm ²)	30m (*)
B: Lampeggiante 12V	n°1 cavo (2x1mm ²)	20m
C: Antenna	n°1 cavo schermato (tipo RG58)	20m (si consiglia: minore di 5m)
D: Fotocellula trasmittente	n°1 cavo (2x0,25mm ²)	20m
D: Fotocellula ricevente	n°1 cavo (3x0,25mm ²)	20m
E: Selettore a chiave	n°2 cavi (2x0,25mm ²)	20m
F: Bordo sensibile	n°1 cavo (2x0,25mm ²)	20m

Nota: (*) Se il cavo di alimentazione è più lungo di 30m, occorre usare un cavo con sezione maggiore (esempio: 3x2,5mm²) ed è necessaria una messa a terra di sicurezza in prossimità dell'automazione

3) Installazione

⚠ L'installazione di Ten deve essere effettuata unicamente da personale qualificato, nel rispetto di leggi, norme e regolamenti e di quanto riportato nelle presenti istruzioni.

3.1) Verifiche preliminari

Prima di procedere con l'installazione di TEN è necessario eseguire questi controlli:

- Verificare che tutto il materiale da utilizzare sia in ottimo stato, adatto all'uso e conforme alle norme.
- Verificare che peso e dimensioni dell'anta rientrino nei limiti di impiego riportati nel capitolo "2.1 Limiti d'impiego"
- Verificare, confrontando con i valori riportati nel capitolo "8 Caratteristiche tecniche", che l'attrito statico (cioè la forza necessaria per mettere in movimento l'anta) sia inferiore a metà della "Coppia massima" e che l'attrito dinamico (cioè la forza necessaria per mantenere in movimento l'anta) sia inferiore a metà della "Coppia nominale"; viene consigliato un margine del 50% sulle forze perché le condizioni climatiche avverse possono far aumentare gli attriti.
- Verificare che in tutta la corsa del basculante, sia in chiusura che in apertura, non ci siano punti con maggiore attrito.
- Verificare la robustezza degli arresti meccanici e controllare che non vi sia pericolo di uscita dalle guide del portone.
- Verificare che il portone sia ben bilanciato, cioè non deve muoversi se lasciato fermo in una qualsiasi posizione.
- Verificare che i punti di fissaggio dei vari dispositivi (fotocellule, pulsanti, ecc...) siano in zone protette da urti e le superfici di fissaggio siano sufficientemente solide.
- A seconda del tipo di portone, debordante, non debordante o snodato, verificare che sia possibile fissare TEN alle quote riportate nelle figure 5, 6 o 7 rispettivamente.
- Qualora non ci sia spazio sufficiente tra braccio di supporto e parte fissa della porta, sarà necessario, al fine di evitare l'incrocio, utilizzare l'accessorio "bracci curvi".
- Evitare che le parti dell'automatismo possano venir immerse in acqua o in altre sostanze liquide.

- Non tenere i componenti di TEN vicino a fonti di calore né esporlo a fiamme; tali azioni possono danneggiarlo ed essere causa di malfunzionamenti, incendio o situazioni di pericolo.
- Nel caso sia presente un porta di passaggio interna al portone, assicurarsi che non intralci la normale corsa, e provvedere con un sistema di interblocco opportuno.
- Collegare la centrale ad una linea di alimentazione elettrica dotata di messa a terra di sicurezza.
- La linea di alimentazione elettrica deve essere protetta da un adeguato dispositivo magneto-termico e differenziale. Sulla linea di alimentazione dalla rete elettrica è necessario inserire un dispositivo di sconnessione dell'alimentazione (con categoria di sovratensione III cioè distanza fra i contatti di almeno 3,5mm) oppure altro sistema equivalente ad esempio una presa e relativa spina. Se il dispositivo di sconnessione dell'alimentazione non è in prossimità dell'automazione deve disporre di un sistema di blocco contro la connessione non intenzionale o non autorizzata.

3.2) Installazione del motoriduttore

Il posizionamento di TEN varia in base alla tipologia della porta da automatizzare e dalle limitazioni riportate nel capitolo "2.1 Limiti d'impiego".

Nota: Per l'installazione di 2 motori seguire la stessa procedura per un motore, eseguendo l'installazione come indicato in Figura 14.

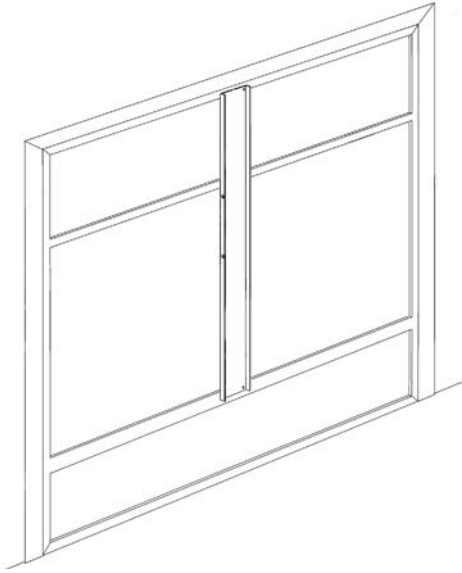
1. Definita la tipologia, fissare la staffa di supporto alla porta, perfettamente in verticale (Figura 4), rispettando le quote indicate.
 - 1.1 Per porte basculanti debordanti, l'asse di rotazione dei bracci, dovrà essere 50÷100 mm sotto il braccio di supporto della porta (Figura 5).
 - 1.2 Su porte basculanti non debordanti, l'asse di rotazione dei bracci, dovrà essere esattamente in asse con il braccio di supporto della porta (Figura 6).
 - 1.3 Su porte basculanti snodate, l'asse di rotazione dei bracci, dovrà essere 50÷100 mm sotto la cerniera di rotazione della porta (Figura 7).
- ⚠ Nel caso si utilizzi TEN capovolto è necessario programmare la centrale di comando, per questo si veda il paragrafo "7.3.6 Programmazione del verso di installazione di TEN."**
2. Fissare il motoriduttore alla staffa con le apposite viti (Figura 8)
 3. Sbloccare il motoriduttore ruotando la maniglia in senso antiorario (Figura 9).
 4. Fissare saldamente, le staffe di supporto laterale, perfettamente in asse con l'albero di rotazione del motore, ed inserire le boccole di adattamento in dotazione (Figura 10).

A seconda dello spazio presente tra braccio di supporto e telaio fisso della porta si dovranno utilizzare bracci dritti oppure bracci curvi.

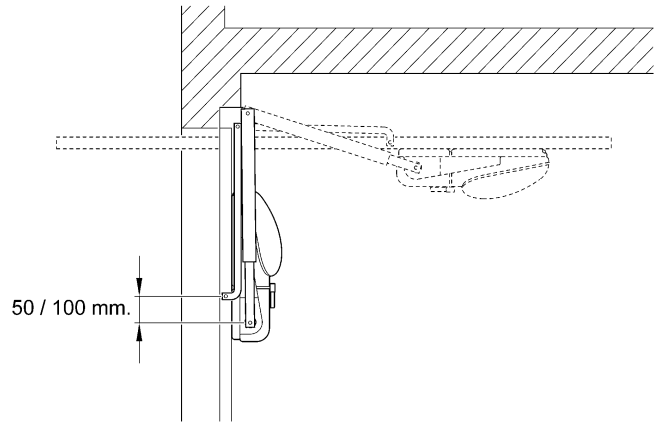
5. Fissare il supporto superiore al telaio della porta (Figura 11): se già presente verificare che sia adatto ai bracci che si intendono utilizzare. Le quote riportate figura 11 sono indicative: possono variare a seconda degli ingombri della porta.
6. Inserire il tubo di trasmissione nella boccola del braccio e nell'albero del motore; tagliare il tubo a misura (Figura 12).
7. Aprire completamente il portone e tagliare i bracci a misura considerando che a portone chiuso siano guidati per almeno 70 mm (Figura 13). Se la lunghezza non fosse sufficiente, riposizionare il supporto superiore o scegliere bracci più lunghi.
8. Inserire i bracci nelle rispettive guide e verificare che la porta scorra liberamente senza inceppamenti o impedimenti.

Verificare nuovamente il bilanciamento: sarà ben bilanciata quando fermata in qualsiasi posizione della corsa non si muoverà. Se necessario agire adeguatamente sui sistemi di bilanciamento.

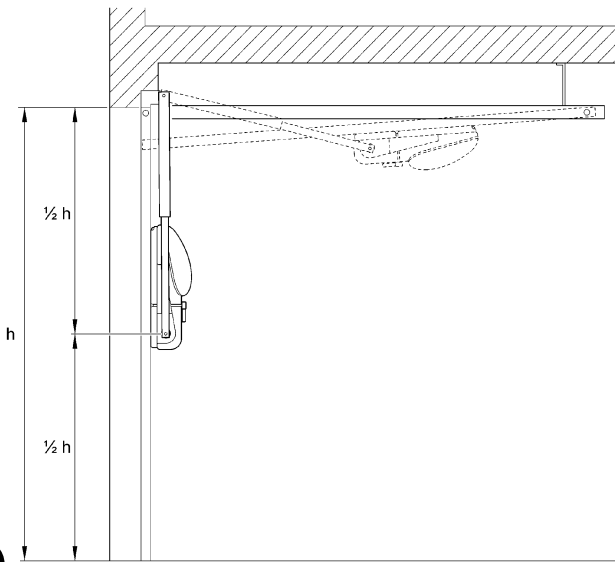
4



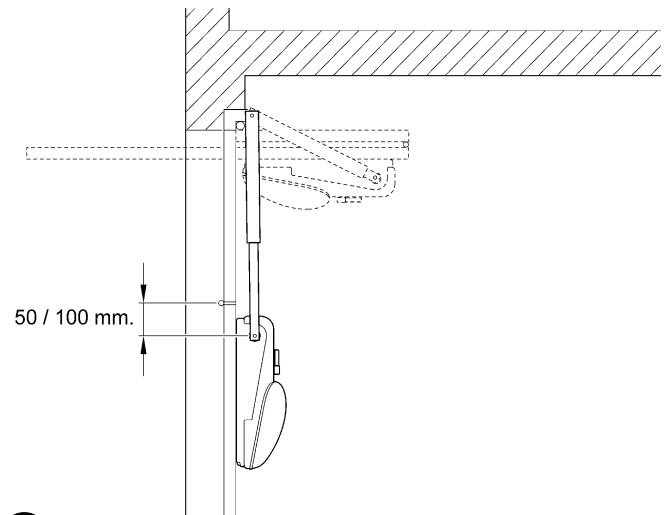
5



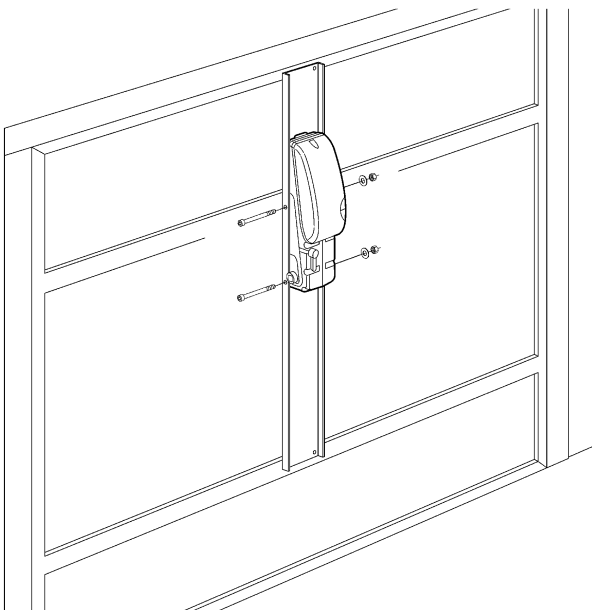
6



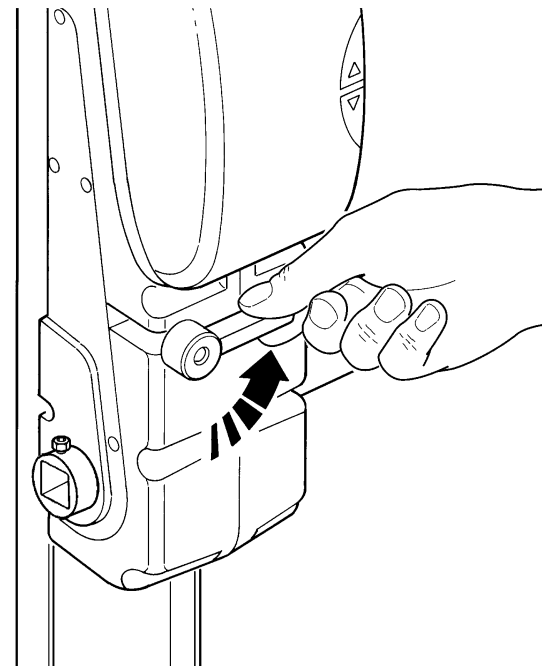
7

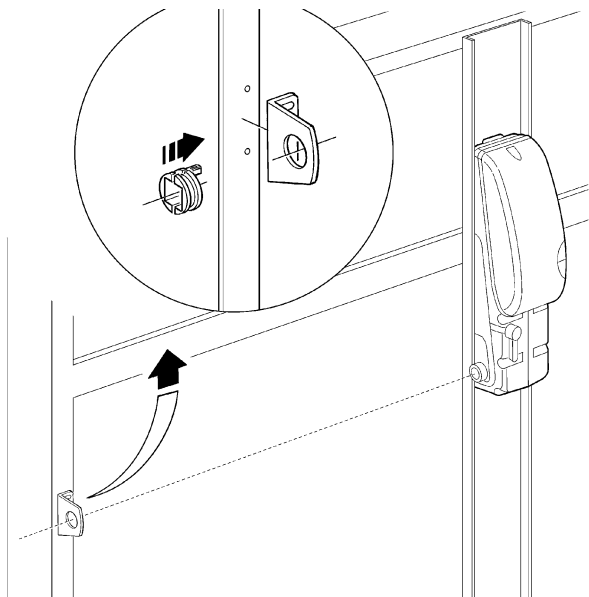


8

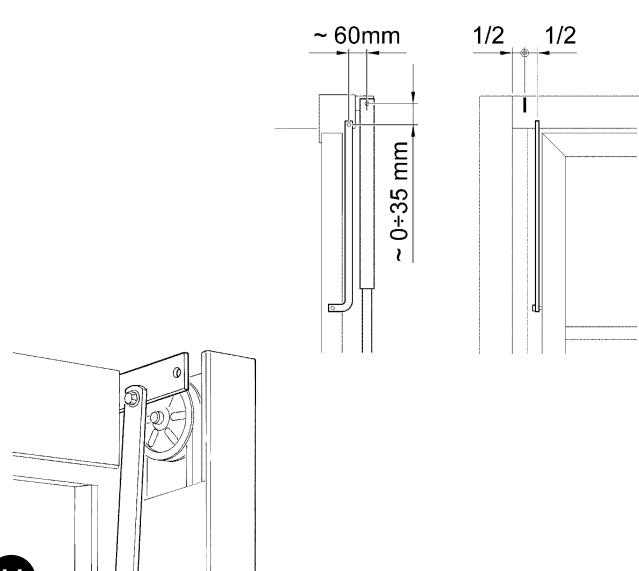


9

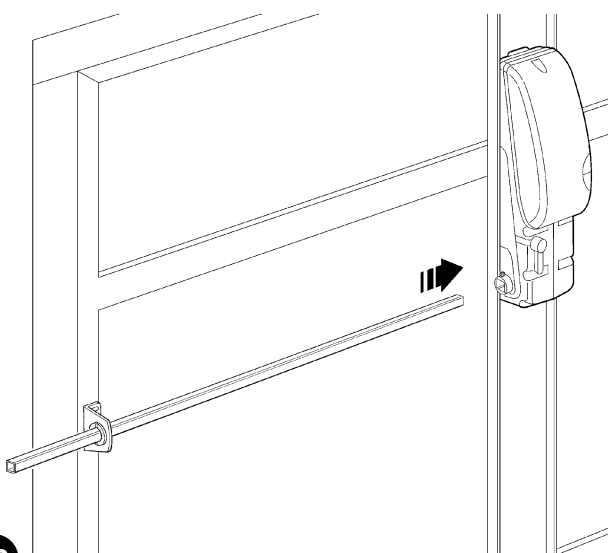




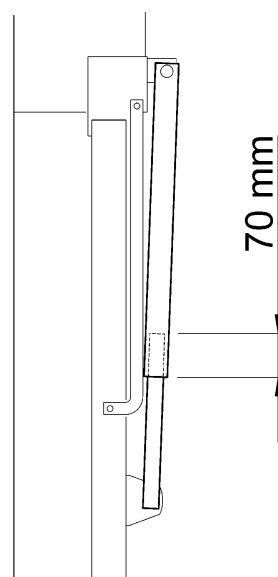
10



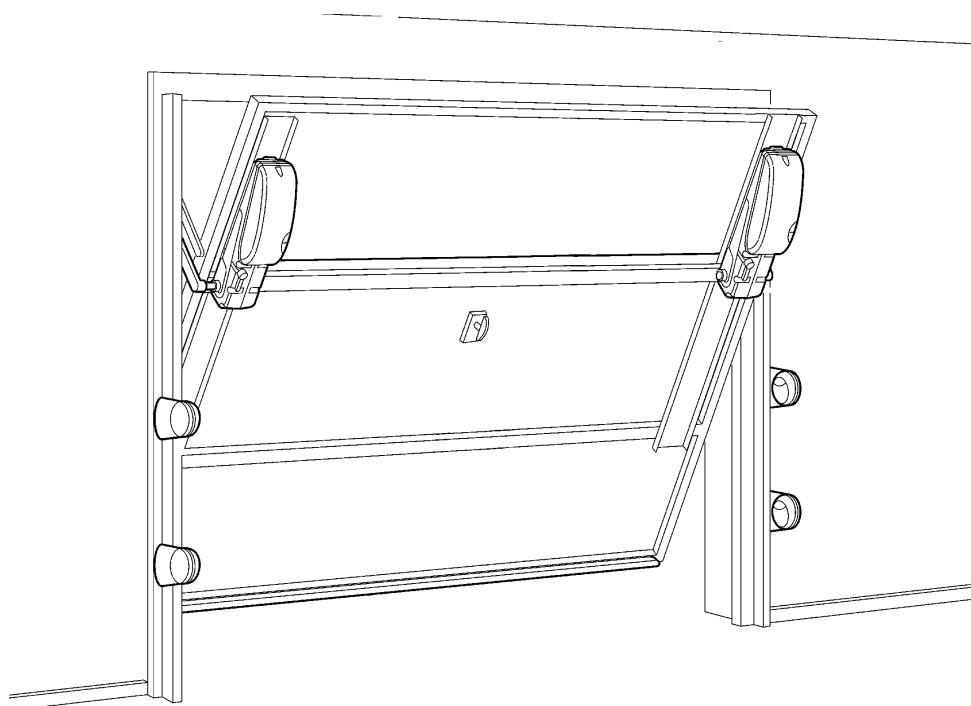
11



12



13



14

3.3) Regolazione dei finecorsa

Con il motoriduttore sbloccato agire come segue: togliere il carter laterale svitando le viti (Figura 15).

Fine corsa di apertura: (Figura 16)

1. Aprire completamente la porta.
2. Ruotare la camma interna in senso antiorario fino a sentire il click (intervenire) del micro interruttore.
3. Serrare energicamente la vite di fissaggio con chiave esagonale.

Fine corsa di chiusura: (Figura 17)

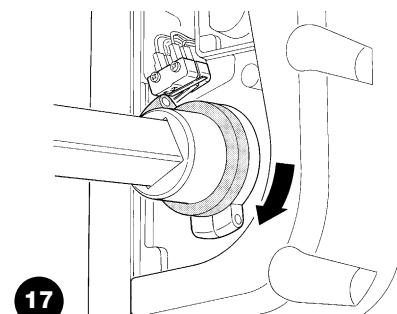
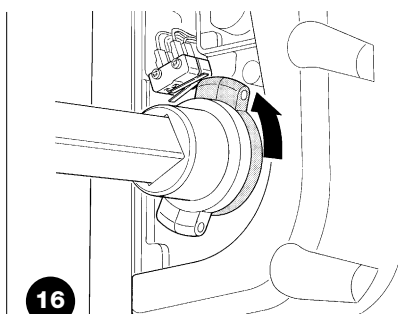
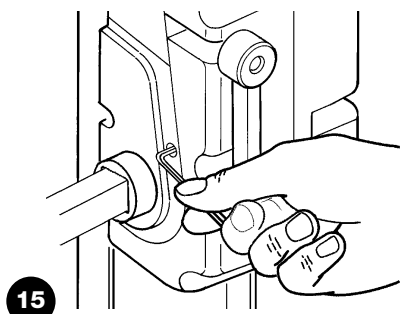
1. Chiudere quasi completamente la porta (fermarla a circa 2cm prima della battuta di arresto).

2. Ruotare la camma esterna in senso orario fino a sentire il click (intervenire) del micro interruttore.

3. Serrare energicamente la vite di fissaggio con chiave esagonale.

⚠ La manovra di chiusura non termina per il solo intervento del finecorsa, ma dalla combinazione del finecorsa - battuta di arresto.

Richiudere il carter laterale, facendo attenzione al posizionamento dei cavi e delle guarnizioni.



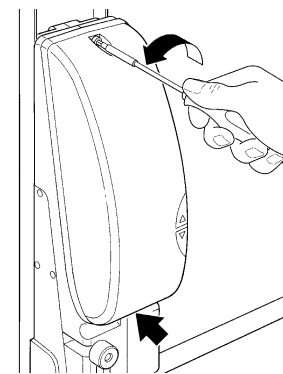
3.4) Installazione dei vari dispositivi

Effettuare l'installazione degli altri dispositivi previsti seguendo le rispettive istruzioni. Verificare nel paragrafo "3.5.1 la descrizione dei collegamenti elettrici" ed in figura 20 i dispositivi che possono essere collegati a TEN.

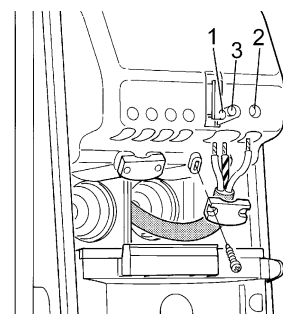
3.5) Collegamenti elettrici

⚠ Tutti i collegamenti elettrici devono essere eseguiti in assenza di tensione dell'impianto.

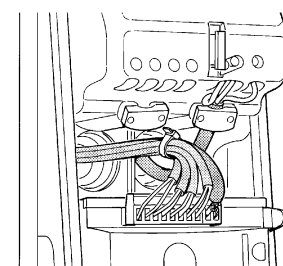
1. Per procedere ai collegamenti elettrici, svitare le viti del coperchio (figura 18).
2. Rimuovere le due membrane di gomma che chiudono i due fori per il passaggio dei cavi. Ritagliare un foro sulla membrana ed infilare il cavo di alimentazione nella membrana e foro di destra. Ritagliare un foro sulla membrana e far passare gli altri cavi verso i vari dispositivi nella membrana e foro di sinistra. Lasciare i cavi 20÷30 cm più lunghi del necessario. Vedere tabella 6 per il tipo di cavi.
3. Collegare il cavo di alimentazione da rete direttamente ai morsetti 1(fase) e 2 (neutro), e 3 (terra); bloccare il cavo con il collarino come indicato in figura 19.
4. Eseguire i collegamenti degli altri cavi secondo lo schema di figura 20. Per maggiore comodità i morsetti sono estraibili.
5. Terminati i collegamenti, raccogliere e bloccare con delle fascette i cavi (Figura 21).



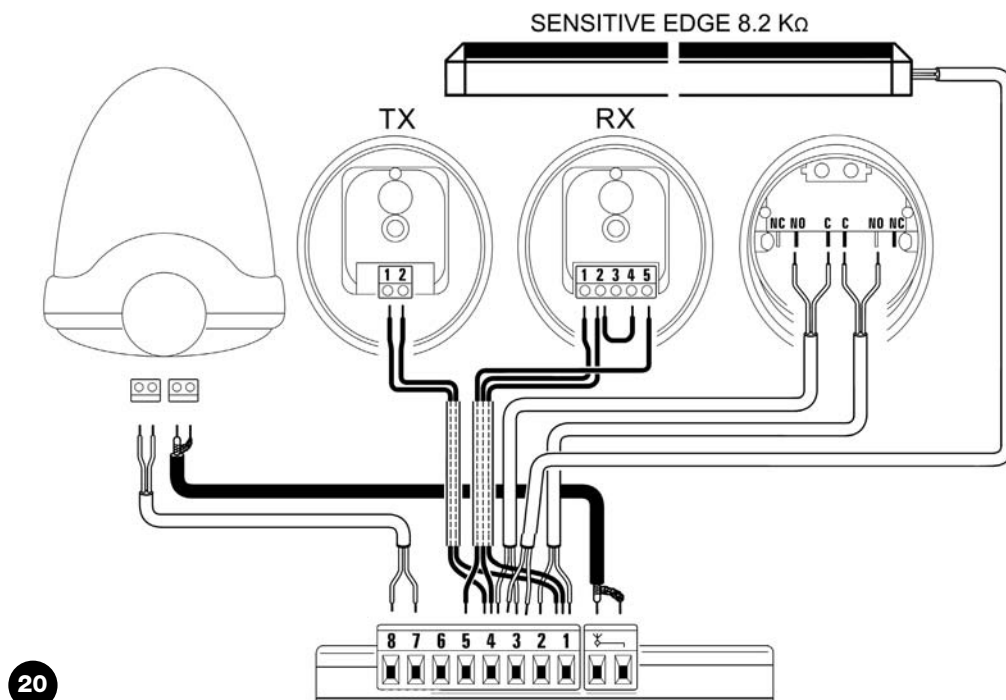
18



19




21



20

3.5.1) Descrizione dei collegamenti elettrici

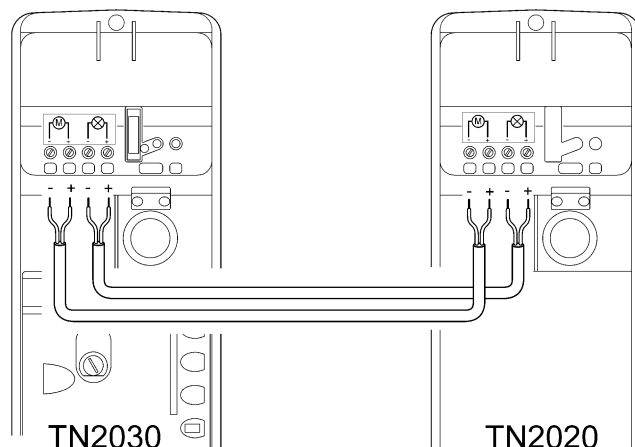
In questo paragrafo c'è una breve descrizione dei collegamenti elettrici: per ulteriori dettagli vedere anche 7.3 "aggiunta o rimozione dispositivi"

N°	Tipo di morsetto	Servizio o dispositivo collegato
	Antenna	ingresso di collegamento dell'antenna per ricevitore radio. L'antenna è incorporata su LUCY B, in alternativa è possibile utilizzare un'antenna esterna oppure lasciare lo spezzone di cavetto, che funziona da antenna, già presente nel morsetto.
1-2	Passo - passo	Ingresso per dispositivi che comandano il movimento; è possibile collegare contatti di tipo "normalmente Aperto" NO.
3- 4	Stop	Ingresso per dispositivi che bloccano o eventualmente arrestano la manovra in corso; con opportuni accorgimenti sull'ingresso è possibile collegare contatti tipo "Normalmente Chiuso" NC, tipo "Normalmente Aperto" NO, oppure un dispositivo a resistenza costante 8.2KΩ. Altre informazioni su STOP sono presenti nel paragrafo "7.3.2 Ingresso STOP".
1-5	Foto	Ingresso per dispositivi di sicurezza come le fotocellule. Intervengono durante la chiusura invertendo la manovra. È possibile collegare contatti di tipo "normalmente Chiuso"NC. Altre informazioni su FOTO sono presenti nel paragrafo "7.3.2 Ingresso FOTO".
4-6	Fototest o elettroserratura	Ogni volta che viene avviata una manovra, vengono controllati tutti i dispositivi di sicurezza e solo se il test da esito positivo la manovra ha inizio. Ciò è possibile impiegando un particolare tipo di collegamenti; i trasmettitori delle fotocellule "TX" sono alimentati separatamente rispetto ai ricevitori "RX". Altre informazioni sul collegamento sono presenti nel paragrafo "7.3.2 Ingresso FOTO" Per la funzione elettroserratura vedere il paragrafo "7.3.3 Elettroserratura"
7-8	Lampeggiante	Su questa uscita è possibile collegare un lampeggiante NICE "LUCY B" con una lampadina a 12V 21W tipo auto. Durante la manovra lampeggia con periodo di 0.5s acceso e 0.5s spento.

3.5.2) Collegamento elettrico secondo motore

Se l'installazione prevede l'uso di 2 motori, un TN2030 e un TN2020, è necessario eseguire il collegamento elettrico al secondo motore come descritto di seguito.

1. Al motoriduttore TN2030 eseguire gli stessi collegamenti previsti per installazione a singolo motore.
2. Tra la centrale di comando dell' TN2030 e la morsettiera dell' TN2020 eseguire il collegamento dei cavi "secondo motore" e "luce di cortesia secondo motore" come illustrato in (Figura 22), rispettando le polarità indicate.



22

4) Verifiche finali ed avviamento

Prima di iniziare la fase di verifica ed avviamento dell'automazione è consigliabile porre l'anta a metà corsa circa in modo che sia libera di muovere sia in apertura che in chiusura.

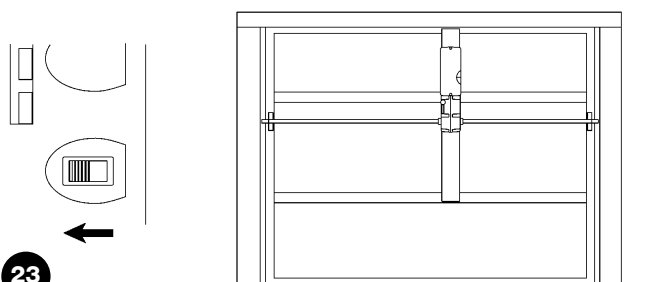
4.1) Selezione tipo di installazione

A seconda della tipologia di impianto, ovvero installazione con 1 motore o con 2 motori, è necessario impostare il selettore presente sulla centrale.

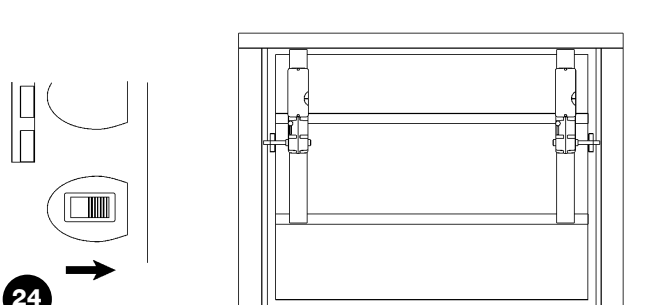
Se l'impianto prevede l'uso di 1 motore spostare il selettore a sinistra, come in Figura 23.

Se l'impianto prevede l'uso di 2 motori spostare il selettore a destra, come in Figura 24.

⚠ Non regolare il selettore per 2 motori quando è installato 1 solo motore; il funzionamento non sarà corretto e c'è il rischio di danneggiare il motore.



23



24

4.2) Allacciamento dell'alimentazione

⚠ L'allacciamento dell'alimentazione a TEN deve essere eseguito da personale esperto, qualificato, in possesso dei requisiti richiesti e nel pieno rispetto di leggi, norme e regolamenti.

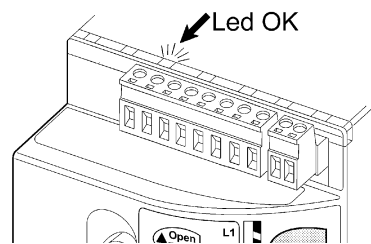
Non appena viene fornita tensione a TEN è consigliabile fare alcune semplici verifiche:

1. Verificare che il led OK lampeggi regolarmente alla frequenza di un lampeggio al secondo (Figura 25).

2. Verificare che il lampeggiante e la luce di cortesia siano spenti.

Se tutto questo non avviene occorre spegnere immediatamente l'alimentazione alla centrale e controllare con maggiore attenzione i collegamenti elettrici.

Altre informazioni utili per la ricerca e la diagnosi dei guasti sono presenti nel capitolo "7.6 Risoluzione dei problemi".



25

4.3) Apprendimento delle posizioni di apertura e chiusura del portone

È necessario far riconoscere alla centrale le posizioni di apertura e chiusura del portone; in questa fase viene rilevata la corsa del portone dalla battuta di chiusura al finecorsa di apertura, necessaria per il calcolo dei punti di rallentamento ed il punto di apertura parziale. Oltre alle posizioni, in questa fase viene rilevata e memorizzata la configurazione dell'ingresso STOP e la presenza o meno del collegamento in modalità "Fototest" dell'ingresso FOTO (vedere paragrafo "7.3.2 Fotocellule"). Inoltre durante questa fase la centrale memorizza la forza necessaria nei movimenti di apertura e chiusura.

1. Premere e tenere premuti i tasti **[▼]** e **[Set]** (Figura 26).

2. Rilasciare i tasti quando inizia la manovra (dopo circa 3s).

3. Attendere che la centrale esegua la fase di apprendimento: chiusura, apertura e richiusura del portone.

4. Premere il tasto **[OPEN]** per eseguire una manovra completa di apertura.

5. Premere il tasto **[CLOSE]** per eseguire la chiusura.

Se tutto questo non avviene occorre spegnere immediatamente l'alimentazione alla centrale e controllare con maggiore attenzione i collegamenti elettrici. Se al termine dell'apprendimento i LED L2 e L3 lampeggiano significa che c'è un errore; vedere il paragrafo "7.6 Risoluzione dei problemi". Durante queste manovre la centrale memorizza la forza necessaria nei movimenti di apertura e chiusura. La fase di apprendimento delle posizioni di apertura e chiusura del portone e della configurazione degli ingressi STOP e FOTO può essere rifatta in qualsiasi momento anche dopo l'installazione (ad esempio se viene spostata una camera dei finecorsa); basta ripeterla dal punto 1.



26

4.4) Verifica del movimento del portone

Dopo l'apprendimento delle posizioni è consigliabile effettuare alcune manovre per verificare il corretto movimento del portone.

1. Premere il tasto **[OPEN]** per comandare una manovra di "Apre"; verificare che l'apertura del portone avvenga regolarmente senza variazioni di velocità; solo quando il portone è tra 15 e 5cm dal finecorsa di apertura dovrà rallentare e fermarsi, per intervento del finecorsa.

2. Premere il tasto **[CLOSE]** per comandare una manovra di "Chiude"; verificare che la chiusura del portone avvenga con una partenza lenta, quindi ci sia il cambio di velocità (solo se la funzione è attivata) ed infine, quando il portone è tra 70 e 50cm dal finecorsa di chiusura dovrà rallentare e fermarsi, per intervento della battuta di chiusura.

3. Durante le manovre verificare che il lampeggiante effettui i lampeggi con periodi di 0,5s acceso e 0,5s spento.

4. Effettuare varie manovre di apertura e chiusura con lo scopo di evidenziare eventuali difetti di montaggio e regolazione o altre anomalie come ad esempio punti con maggior attrito.

5. Verificare che il fissaggio del motoriduttore TEN, dei bracci e delle staffe, sia solido e adeguatamente resistente anche durante le brusche accelerazioni o decelerazioni del movimento del portone.

4.5) Funzioni preimpostate

La centrale di controllo di TEN dispone di alcune funzioni programmabili, di fabbrica queste funzioni vengono regolate in una configurazione che dovrebbe soddisfare la maggior parte delle automazioni; comunque le funzioni possono essere cambiate in qualsiasi momento attraverso una opportuna procedura di programmazione, a questo scopo vedere paragrafo "7.2 Programmazioni".

4.6) Ricevitore radio

Per il comando a distanza di TEN, sulla centrale di controllo, è incorporata una ricevente radio che opera alla frequenza di 433.92 MHz compatibile con le seguenti tipologie di trasmettitori (Tabella 7):

Poiché il tipo di codifica è diverso, il primo trasmettitore inserito determina anche la tipologia di quelli che si potranno inserire in seguito. Possono essere memorizzati fino a 160 trasmettitori.

Tabella 7: trasmettitori

Codifica	Modello
FLO	FLO1 - FLO2 - FLO4 VERY VE
FLOR	FLOR1 - FLOR2 - FLOR4 VERY VR ERGO1 - ERGO4 - ERGO6 PLANO1 - PLANO4 - PLANO6 - NICEWAY (tutta la linea)
SMILO	SM2 - SM4

4.7) Memorizzazione dei trasmettitori radio

Ogni radio trasmettitore viene riconosciuto dal ricevitore radio mediante un "codice" diverso da ogni altro trasmettitore. E' necessaria quindi una fase di "memorizzazione" attraverso la quale si predispongono il ricevitore a riconoscere ogni singolo trasmettitore. La memorizzazione dei trasmettitori può avvenire in 2 modalità:

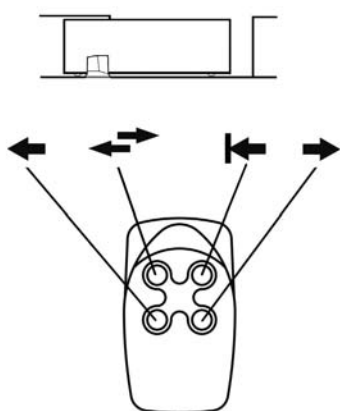
Tabella 8: memorizzazione Modo I

Tasto T1	Comando "Passo Passo"
Tasto T2	Comando "Apertura parziale"
Tasto T3	Comando "Apri"
Tasto T4	Comando "Chiudi"

Nota: i trasmettitori monocanale dispongono solo del tasto T1, i trasmettitori bi-canale dispongono solo dei tasti T1 e T2.

Modo I: in questa modalità la funzione dei tasti del trasmettitore è fissa e ad ogni tasto corrisponde nella centrale al comando riportato in Tabella 8; si esegue una unica fase per ogni trasmettitore del quale vengono memorizzati tutti i tasti, durante questa fase non ha importanza quale tasto viene premuto e viene occupato un solo posto in memoria.

In **Modo I**, normalmente un trasmettitore può comandare una sola automazione vedere ad esempio Figura 27.



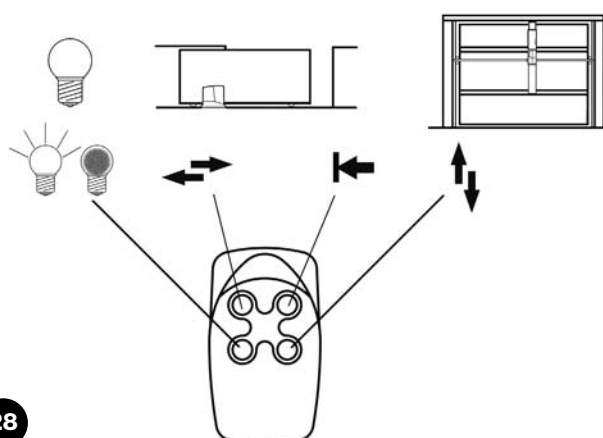
27

Tabella 9: comandi disponibili in Modo II

Comando 1	"Passo Passo"
Comando 2	"Apertura pedonale"
Comando 3	"Apri"
Comando 4	"Chiudi"

Modo II: in questa modalità ogni singolo tasto del trasmettitore può essere associato ad uno dei 4 possibili comandi della centrale riportati in Tabella 9; per ogni fase viene memorizzato solo un tasto e cioè quello premuto durante la fase di memorizzazione. Nella memoria viene occupato un posto per ogni tasto memorizzato.

In **Modo II** un trasmettitore con più tasti può comandare più automazioni vedere ad esempio Figura 28.

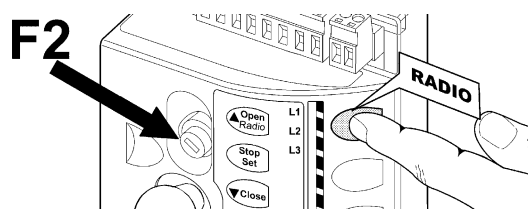


28

⚠ Poiché le procedure di memorizzazione hanno un tempo limite di 10s è necessario leggere prima le istruzioni riportate nei prossimi paragrafi e poi procedere con l'esecuzione delle stesse.

⚠ La memorizzazione e la cancellazione dei trasmettitori deve essere fatta entro i primi 10 secondi dopo aver dato alimentazione. In questo intervallo di tempo il tasto sulla centrale [▲/OPEN/RADIO] è dedicato alla memorizzazione e cancellazione radio. Trascorsi 10 secondi dall'ultimo lampeggio del led L1 o dall'ultima pressione, il tasto viene dedicato alle funzioni di comando [OPEN] e di programmazione [▲]. Per segnalare la fine dell'intervallo di tempo dedicato alla memorizzazione radio viene eseguito 1 lampeggio con la luce di cortesia.

4.7.1) Memorizzazione modo I



29







Tabella 10: per memorizzare un trasmettitore in modo I

	Esempio
1. Spegner e dopo almeno 3 secondi accendere TEN (ad esempio togliendo F2) (Figura 29)	OFF → 3s → ON
2. Entro 10 s dall'accensione, premere e tener premuto il tasto RADIO sulla centrale (per almeno 4s) (Figura 29)	▲ 4s
3. Rilasciare il tasto quando si accende il led "radio" L1	L1
4. Entro 10s premere per almeno 3s un tasto qualsiasi del trasmettitore da memorizzare	↕ 3s
5. Se la memorizzazione è andata a buon fine il led radio sulla centrale farà 3 lampeggi.	⬮ x3

Se ci sono altri trasmettitori da memorizzare, ripetere il punto 4 entro altri 10s.

La fase di memorizzazione termina se per 10 secondi non vengono ricevuti nuovi codici.

4.7.2) Memorizzazione modo II

Tabella 11: per memorizzare il tasto di un trasmettitore in modo II		Esempio
1.	Spegnere e dopo almeno 3 secondi accendere TEN (ad esempio togliendo F2)	 3s 
2.	Entro 10 s dall'accensione, premere il tasto RADIO sulla centrale un numero di volte pari al comando desiderato secondo la tabella 9 (1=Passo Passo; 2=Apre Parziale; 3=Apre; 4=Chiude)	 1...4
3.	Verificare che il led radio sulla centrale emetta un numero di lampeggi (ripetuti dopo una breve pausa) pari al comando desiderato	 1...4
4.	Entro 10s premere per almeno 3s il tasto desiderato del trasmettitore da memorizzare	 3s
5.	Se la memorizzazione è andata a buon fine il led sul ricevitore farà 3 lampeggi.	 x3




Se ci sono altri trasmettitori da memorizzare per lo stesso comando, ripetere il punto 3 entro altri 10s.

La fase di memorizzazione termina se per 10 secondi non vengono ricevuti nuovi trasmettitori da memorizzare.

4.7.3) Memorizzazione "vicino al ricevitore"

E' possibile memorizzare un nuovo trasmettitore senza dover agire direttamente sul tastino del ricevitore; per fare ciò è necessario disporre di un telecomando già memorizzato e funzionante. Il nuovo trasmettitore verrà memorizzato con le stesse caratteristiche di quello già memorizzato; quindi se il primo trasmettitore è memorizzato in modo I anche il nuovo sarà memorizzato in modo I e si potranno premere uno qualunque dei tasti dei trasmettitori. Se invece il trasmettitore già funzionante è memorizzato in modo II anche il nuovo sarà memorizzato in modo II e diventa importante premere, nel primo trasmettitore il tasto relativo al comando desiderato, e nel secondo trasmettitore il tasto da associare a quel comando.






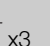





⚠ La memorizzazione "vicino al ricevitore" può avvenire in tutti i ricevitori che si trovano nel raggio della portata del trasmettitore già memorizzato; è quindi necessario tenere alimentato solo il ricevitore interessato all'operazione.

Tabella 12: per memorizzare un trasmettitore vicino al ricevitore		Esempio
1.	Con i due trasmettitori porsi vicino al ricevitore ed eseguire i seguenti passi:	
2.	Premere per almeno 5s il tasto sul nuovo trasmettitore radio, poi rilasciare.	 5s 
3.	Premere lentamente per 3 volte il tasto sul trasmettitore radio già memorizzato.	 1s  1s  1s
4.	Premere lentamente per 1 volta il tasto sul nuovo trasmettitore radio.	 1s

Ora il nuovo trasmettitore radio verrà riconosciuto dal ricevitore e prenderà le caratteristiche che aveva quello già memorizzato

Se ci sono altri trasmettitori da memorizzare, ripetere tutti i passi per ogni nuovo trasmettitore.

4.7.4) Cancellazione dei trasmettitori radio

Tabella 13: per cancellare tutti i trasmettitori		Esempio
1.	Spegnere e dopo almeno 3 secondi accendere TEN (ad esempio togliendo F2)	 3s 
2.	Entro 10s dall'accensione, premere e tenere premuto il tasto RADIO sulla centrale	
3.	Aspettare che il led radio si accenda, poi aspettare che si spenga, quindi aspettare che emetta 3 lampeggi	   x3
4.	Rilasciare il tasto esattamente durante il 3° lampeggio	   
5.	Se la procedura è andata a buon fine, dopo qualche istante, il led emetterà 5 lampeggi.	 x5

5) Collaudo e messa in servizio

Questa è la fase più importante nella realizzazione dell'automazione al fine di garantire la massima sicurezza. Il collaudo può essere usato anche come verifica periodica dei dispositivi che compongono l'automatismo.

⚠ Il collaudo dell'intero impianto deve essere eseguito da personale esperto e qualificato che deve farsi carico delle prove richieste, in funzione del rischio presente e di verificare il rispetto di quanto previsto da leggi, normative e regolamenti, ed in particolare tutti i requisiti della norma EN12445 che stabilisce i metodi di prova per la verifica degli automatismi per cancelli e porte.

5.1) Collaudo

Ogni singolo componente dell'automatismo, ad esempio bordi sensibili, fotocellule, arresto di emergenza, ecc. richiede una specifica fase di collaudo; per questi dispositivi si dovranno eseguire le procedure riportate nei rispettivi manuali istruzioni.

Per il collaudo di TEN eseguire la seguente sequenza di operazioni:

1. Verificare che sia stato rispettato rigorosamente tutto quanto previsto nel presente manuale ed in particolare nel capitolo "1 Avvertenze".
2. Sbloccare il portone ruotando la maniglia di sblocco in senso antiorario (Figura 48) di sblocco di ogni motore; verificare che sia possibile muovere manualmente il portone in apertura e in chiusura con una forza non superiore a 225N agendo nel punto previsto per la manovra manuale.
3. Bloccare i motori al portone ruotando la maniglia di sblocco in senso orario (Figura 49).
4. Utilizzando i dispositivi di comando o arresto previsti (selettore a chiave, pulsanti di comando o trasmettitori radio), effettuare delle prove di apertura, chiusura ed arresto del portone e verificare che il comportamento corrisponda a quanto previsto.
5. Conviene eseguire diverse prove al fine di valutare la scorrevolezza del portone ed eventuali difetti di montaggio o regolazione nonché la presenza di particolari punti d'attrito.

6. Verificare uno ad uno il corretto funzionamento di tutti i dispositivi di sicurezza presenti nell'impianto (fotocellule, bordi sensibili, arresto di emergenza, ecc.); in particolare, ogni volta che un dispositivo interviene il led OK sulla centrale deve eseguire 2 lampeggi più veloci a conferma che la centrale riconosce l'evento.
7. Per la verifica delle fotocellule ed in particolare che non vi siano interferenze con altri dispositivi, passare un cilindro di diametro 5cm e lunghezza 30cm sull'asse ottico prima vicino al TX, poi vicino all'RX e infine al centro tra i due e verificare che in tutti i casi il dispositivo intervenga passando dallo stato di attivo a quello di allarme e viceversa. Infine verificare che provochi nella centrale l'azione prevista; esempio: nella manovra di chiusura provoca l'inversione di movimento.
8. Se le situazioni pericolose provocate dal movimento dell'anta sono state salvaguardate mediante la limitazione della forza d'impatto si deve eseguire la misura della forza secondo quanto previsto dalla norma EN 12445. Se la regolazione della "Velocità" ed il controllo della "Forza Motore" vengono usati come ausilio al sistema per la riduzione della forza d'impatto, provare e trovare le regolazioni che offrono i migliori risultati.

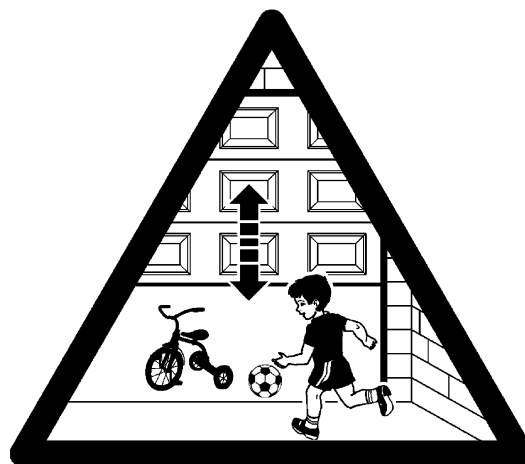
5.2) Messa in servizio

La messa in servizio può avvenire solo dopo aver eseguito con esito positivo tutte le fasi di collaudo di TEN e degli altri dispositivi presenti. E' vietata la messa in servizio parziale o in situazioni "provvisorie".

1. Realizzare e conservare per almeno 10 anni il fascicolo tecnico dell'automazione che dovrà comprendere almeno: disegno complessivo dell'automazione, schema dei collegamenti elettrici, analisi dei rischi e relative soluzioni adottate, dichiarazione di conformità del fabbricante di tutti i dispositivi utilizzati (per TEN utilizzare la Dichiarazione CE di conformità allegata); copia del manuale di istruzioni per l'uso e del piano di manutenzione dell'automazione.
2. Apporre sul portone una targhetta contenente almeno i seguenti dati: tipo di automazione, nome e indirizzo del costruttore (responsabile della "messa in servizio"), numero di matricola, anno di costruzione e marchio "CE".
3. Fissare in maniera permanente in prossimità del portone un'etichetta o una targa con indicate le operazioni per lo sblocco e la manovra manuale
4. Fissare in maniera permanente sul portone una etichetta o targa con questa immagine (altezza minima 60mm) (Figura 30).
5. Realizzare e consegnare al proprietario la dichiarazione di conformità dell'automazione.
6. Realizzare e consegnare al proprietario il manuale di "Istruzioni ed avvertenze per l'uso dell'automazione".

7. Realizzare e consegnare al proprietario il piano di manutenzione dell'automazione (che deve raccogliere tutte le prescrizioni sulla manutenzione dei singoli dispositivi).
8. Prima di mettere in servizio l'automatismo informare adeguatamente ed in forma scritta il proprietario (ad esempio sul manuale di istruzioni ed avvertenze per l'uso dell'automazione) sui pericoli ed i rischi ancora presenti.

30



6) Manutenzione e smaltimento

In questo capitolo sono riportate le informazioni per la realizzazione del piano di manutenzione e lo smaltimento di TEN.

6.1) Manutenzione

Per mantenere costante il livello di sicurezza e per garantire la massima durata dell'intera automazione è necessaria una manutenzione regolare.

⚠ La manutenzione deve essere effettuata nel pieno rispetto delle prescrizioni sulla sicurezza del presente manuale e secondo quanto previsto dalle leggi e normative vigenti.

Per gli altri dispositivi diversi da TEN seguire quanto previsto nei rispettivi piani manutenzione.

1. Per TEN è necessaria una manutenzione programmata al massimo entro 6 mesi o 4.000 manovre dalla precedente manutenzione:

2. Scollegare qualsiasi sorgente di alimentazione elettrica.
3. Verificare lo stato di deterioramento di tutti i materiali che compongono l'automazione con particolare attenzione a fenomeni di erosione o di ossidazione delle parti strutturali; sostituire le parti che non forniscono sufficienti garanzie.
4. Verificare lo stato di usura delle parti in movimento: bracci telescopici, funi dei contrappesi e tutte le parti dell'anta, sostituire le parti usurate.
5. Ricollegare le sorgenti di alimentazione elettrica ed eseguire tutte le prove e le verifiche previste nel paragrafo "5.1 Collaudo".

6.2) Smaltimento

Come per l'installazione, anche al termine della vita di questo prodotto, le operazioni di smantellamento devono essere eseguite da personale qualificato. Questo prodotto è costituito da vari tipi di materiali, alcuni possono essere riciclati altri devono essere smaltiti; informatevi sui sistemi di riciclaggio o smaltimento previsti dai regolamenti locali per questa categoria di prodotto.

⚠ Alcune parti del prodotto possono contenere sostanze inquinanti o pericolose, se disperse potrebbero provocare effetti dannosi sull'ambiente e sulla salute umana.

Come indicato dal simbolo di Figura 31 è vietato gettare questo prodotto nei rifiuti domestici. Eseguire la "raccolta separata" per lo smaltimento secondo i metodi previsti dai regolamenti locali; oppure riconsegnare il prodotto al venditore nel momento dell'acquisto di un nuovo prodotto equivalente.

Regolamenti locali possono prevedere pesanti sanzioni in caso di smaltimento abusivo di questo prodotto.

1. Scollegare l'alimentazione elettrica dall'automatismo.
2. Smontare tutti i dispositivi ed accessori, seguendo il procedimento inverso a quello descritto nel capitolo "3 Installazione"
3. Separare per quanto possibile le parti che possono o devono essere riciclate o smaltite in modo diverso, ad esempio le parti metalliche da quelle plastiche, le schede elettroniche, le batterie ecc.
4. Smistare ed affidare i vari materiali così separati ai centri abilitati al recupero ed allo smaltimento previsti a livello locale.

31



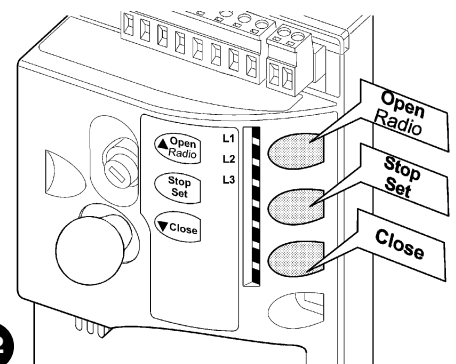
7) Approfondimenti

In questo capitolo verranno trattate le possibilità di programmazione, personalizzazione, diagnostica e ricerca guasti su TEN.

7.1) Tasti di programmazione

Sulla centrale di controllo di TEN sono presenti 3 tasti che possono essere usati sia per il comando della centrale durante le prove sia per le programmazioni (Figura 32)

▲ OPEN RADIO	Entro i primi 10 secondi dall'accensione esegue la funzione "RADIO" permettendo di memorizzare e cancellare i trasmettitori radio da utilizzare con TEN. Dopo questo intervallo di tempo il tasto esegue la funzione "OPEN" permettendo di comandare l'apertura del portone; oppure di spostare verso l'alto il punto di programmazione.
STOP SET	Il tasto "STOP" permette di fermare la manovra; se premuto per più di 5 secondi permette di entrare in programmazione.
▼ CLOSE	Il tasto "CLOSE" permette di comandare la chiusura del portone; oppure di spostare verso il basso il punto di programmazione.



32

⚠ Durante la manovra, indipendentemente da apertura o chiusura, tutti i tasti eseguono la funzione di STOP arrestando la corsa del motore.

7.2) Programmazioni

Sulla centrale di controllo di TEN sono disponibili alcune funzioni programmabili; la regolazione delle funzioni avviene attraverso 3 tasti presenti sulla centrale: **[▲]** **[▼]** e **[Set]** e vengono visualizzate attraverso 3 led: **L1**, **L2**, **L3**.

non attivo); in questo caso i led **L1**, **L2**, **L3** indica una funzione, se acceso la funzione è attiva, se spento la funzione non è attiva; vedere Tabella 14.

Le funzioni programmabili disponibili su TEN sono disposte su 2 livelli:

Primo livello: funzioni regolabili in modo ON-OFF (attivo oppure

Secondo livello: parametri regolabili su una scala di valori (valori da 1 a 3); in questo caso ogni led **L1**, **L2**, **L3** indica il valore regolato tra i 3 possibili; vedere Tabella 16.

7.2.1) Funzioni primo livello (funzioni ON-OFF)

Tabella 14: elenco funzioni programmabili: primo livello


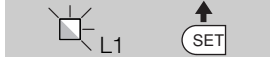

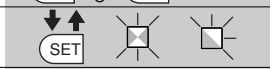

N°	Descrizione	Esempio
L1	Velocità chiusura	Questa funzione permette di scegliere la velocità del motore durante la manovra di chiusura tra 2 livelli: "veloce", "lenta". Se la funzione non è attivata, la velocità impostata è "lenta".
L2	Velocità apertura	Questa funzione permette di scegliere la velocità del motore durante la manovra di apertura tra 2 livelli: "veloce", "lenta". Se la funzione non è attivata, la velocità impostata è "lenta".
L3	Chiusura Automatica	Questa funzione permette una chiusura automatica del portone dopo il tempo pausa programmato, di fabbrica il Tempo Pausa è posto a 30 secondi ma può essere modificato a 15 o 60 secondi (vedere tabella 16). Se la funzione non è attivata, il funzionamento è "semiautomatico".

Durante il funzionamento normale di TEN i led **L1**, **L2** e **L3** sono accesi o spenti in base allo stato della funzione che rappresentano, ad esempio **L3** è acceso se è attiva la "Chiusura automatica". **L1** visualizza anche lo stato della funzione "radio" nei primi 10" dall'accensione.

N.B.: se viene impostato velocità motore "veloce" in apertura e in chiusura e la forza motore "alta" vengono disabilitati i rallentamenti (escluso il rallentamento in chiusura prossimo alla battuta di arresto).

7.2.2 Programmazione primo livello (funzioni ON-OFF)

Di fabbrica le funzioni del primo livello sono poste tutte "OFF" ma si possono cambiare in qualsiasi momento come indicato in Tabella 15. Fare attenzione nell'eseguire la procedura perché c'è un tempo massimo di 10s tra la pressione di un tasto e l'altro, allo scadere del quale la procedura finisce automaticamente memorizzando le modifiche fatte fino a quel momento.

Tabella 15: per cambiare le funzioni ON-OFF		Esempio
1.	Premere e tener premuto il tasto [Set] per circa 3s	
2.	Rilasciare il tasto [Set] quando il led L1 inizia a lampeggiare	
3.	Premere i tasti [▲] o [▼] per spostare il led lampeggiante sul led che rappresenta la funzione da modificare	
4.	Premere il tasto [Set] per cambiare lo stato della funzione (lampeggio breve = OFF; lampeggio lungo = ON)	
5.	Attendere 10s per uscire dalla programmazione per fine tempo massimo.	

Nota: i punti 3 e 4 possono essere ripetuti durante le stessa fase di programmazione per porre ON o OFF altre funzioni.

7.2.3 Funzioni secondo livello (parametri regolabili)

Tabella 16: elenco funzioni programmabili: secondo livello				
Led di entrata	Parametro	Led (livello)	valore	Descrizione
L1	Forza motore	L1	Bassa	Regola la sensibilità del controllo di forza del motore per adeguarli al tipo di portone. La regolazione "Alta" è più adatta a portoni di grandi dimensioni e pesanti.
		L2	Media	
		L3	Alta*	
L2	Funzione P.P.	L1	Apri - stop - chiudi - apri	Regola la sequenza di comandi associati all'ingresso P.P oppure al 1° comando radio (vedere tabelle 7 e 8).
		L2	Apri - stop - chiudi - stop	
		L3	Condominiale	
L3	Tempo Pausa	L1	15 secondi	Regola il tempo di pausa cioè il tempo prima della richiusura automatica. Ha effetto solo se la chiusura automatica è attiva
		L2	30 secondi	
		L3	60 secondi	

Nota: "■" rappresenta la regolazione di fabbrica

* se viene impostato velocità motore "veloce" in apertura e in chiusura e la forza motore "alta" vengono disabilitati i rallentamenti (escluso il rallentamento in chiusura prossimo alla battuta di arresto).


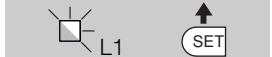
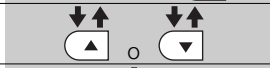

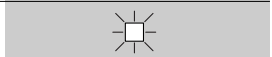



Tutti i parametri possono essere regolati a piacere senza nessuna controindicazione; solo la regolazione della "Forza motore" potrebbe richiedere una attenzione particolare:

- E' sconsigliato utilizzare valori alti di forza per compensare il fatto che l'anta abbia dei punti di attrito anomali; una forza eccessiva può pregiudicare il funzionamento del sistema di sicurezza o danneggiare l'anta.

- Se il controllo della "forza motore" viene usato come ausilio al sistema per la riduzione della forza di impatto, dopo ogni regolazione ripetere la misura della forza, come previsto dalla norma EN 12445.
- L'usura e le condizioni atmosferiche influiscono sul movimento del portone, periodicamente e necessario ricontrollare la regolazione della forza.

7.2.4 Programmazione secondo livello (parametri regolabili)

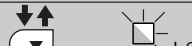


Di fabbrica i parametri regolabili sono posti come evidenziato in tabella 16 con: "■" ma si possono cambiare in qualsiasi momento come indicato in Tabella 17. Fare attenzione nell'eseguire la procedura perché c'è un tempo massimo di 10s tra la pressione di un tasto e l'altro, allo scadere del quale la procedura finisce automaticamente memorizzando le modifiche fatte fino a quel momento.

Tabella 17: per cambiare i parametri regolabili		Esempio
1.	Premere e tener premuto il tasto [Set] per circa 3s	
2.	Rilasciare il tasto [Set] quando il led L1 inizia a lampeggiare	
3.	Premere i tasti [▲] o [▼] per spostare il led lampeggiante sul "led di entrata" che rappresenta il parametro da modificare	
4.	Premere e mantenere premuto il tasto [Set] , il tasto [Set] va mantenuto premuto durante tutti i passi 5 e 6	
5.	Attendere circa 3s dopodiché si accenderà il led che rappresenta il livello attuale del parametro da modificare	
6.	Premere i tasti [▲] o [▼] per spostare il led che rappresenta il valore del parametro.	
7.	Rilasciare il tasto [Set]	
8.	Attendere 10s per uscire dalla programmazione per fine tempo massimo.	

Nota: i punti da 3 a 7 possono essere ripetuti durante le stessa fase di programmazione per regolare più parametri

7.2.5 Esempio di programmazione primo livello (funzioni ON-OFF)

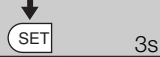
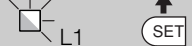

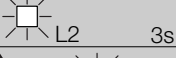



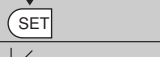
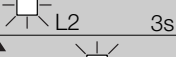



Come esempio viene riportata la sequenza di operazioni per cambiare l'impostazione di fabbrica delle funzioni per attivare le funzioni di "Velocità apertura alta" (L2) e "Chiusura Automatica" (L3).

Tabella 18: esempio di programmazione primo livello	Esempio
1. Premere e tener premuto il tasto [Set] per circa 3s	
2. Rilasciare il tasto [Set] quando il led L1 inizia a lampeggiare	
3. Premere 1 volta il tasto [▼] per spostare il led lampeggiante sul led L2	
4. Premere una volta il tasto [Set] per cambiare lo stato della funzione associata ad L2 (Velocità apertura) ora il led L2 lampeggia con lampeggio lungo	
5. Premere 1 volta il tasto [▼] per spostare il led lampeggiante sul led L3	
6. Premere 1 volta il tasto [Set] per cambiare lo stato della funzione associata ad L3 (Chiusura Automatica) ora il led L3 lampeggia con lampeggio lungo	
7. Attendere 10s per uscire dalla programmazione per fine tempo massimo	

Al termine di queste operazioni i led L2 ed L3 devono rimanere accesi ad indicare che sono attive le funzioni di "Velocità apertura Alta" e "Chiusura Automatica".

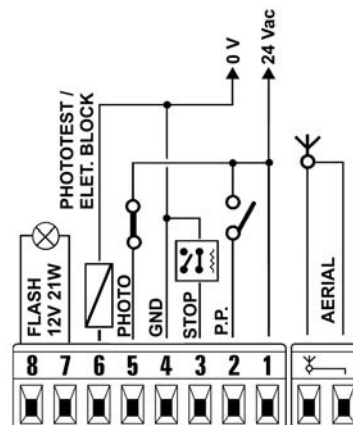
7.2.6 Esempio di programmazione secondo livello (parametri regolabili)

Come esempio viene riportata la sequenza di operazioni per cambiare l'impostazione di fabbrica dei parametri e regolare la "Forza Motore" in alta (entrata su L1 e livello su L3) e aumentare il "Tempo Pausa" a 60s (entrata su L3 e livello su L3).

Tabella 19: esempio di programmazione secondo livello	Esempio
1. Premere e tener premuto il tasto [Set] per circa 3s	
2. Rilasciare il tasto [Set] quando il led L1 inizia a lampeggiare	
3. Premere e mantenere premuto il tasto [Set] ; il tasto [Set] va mantenuto premuto durante tutti i passi 4 e 5	
4. Attendere circa 3s fino a che si accenderà il led L2 che rappresenta il livello attuale della "Forza Motore"	
5. Premere 1 volta il tasto [▼] per spostare il led acceso su L3 che rappresenta il nuovo valore della "Forza Motore"	
6. Rilasciare il tasto [Set]	
7. Premere 2 volte il tasto [▼] per spostare il led lampeggiante sul led L3	
8. Premere e mantenere premuto il tasto [Set] ; il tasto [Set] va mantenuto premuto durante tutti i passi 9 e 10	
9. Attendere circa 3s fino a che si accenderà il led L2 che rappresenta il livello attuale del "Tempo Pausa"	
10. Premere 1 volta il tasto [▼] per spostare il led acceso su L3 che rappresenta il nuovo valore del "Tempo Pausa".	
11. Rilasciare il tasto [Set]	
12. Attendere 10s per uscire dalla programmazione per fine tempo massimo.	

7.3) Aggiunta o rimozione dispositivi

Ad una automazione con TEN è possibile aggiungere o rimuovere dispositivi in qualsiasi momento. In particolare agli ingressi di STOP e FOTO possono essere collegati vari tipi di dispositivi come indicato nei paragrafi "7.3.1 Ingresso STOP" e 7.3.2 Fococellule. In figura 33 è riportato lo schema elettrico per il collegamento dei vari dispositivi.



7.3.1) Ingresso STOP

STOP è l'ingresso che provoca l'arresto immediato della manovra seguito da una breve inversione. A questo ingresso possono essere collegati dispositivi con uscita a contatto normalmente aperto "NA", normalmente chiuso "NC" oppure dispositivi con uscita a resistenza costante 8,2KΩ, ad esempio bordi sensibili.

La centrale riconosce il tipo di dispositivo collegato all'ingresso STOP durante la fase di apprendimento (vedere paragrafo "4.3 Apprendimento delle posizioni di apertura e chiusura del portone"); successivamente viene provocato uno STOP quando si verifica una qualsiasi variazione rispetto allo stato appreso.

Con opportuni accorgimenti è possibile collegare all'ingresso STOP più di un dispositivo, anche di tipo diverso:

- Più dispositivi NA si possono collegare in parallelo tra di loro senza alcun limite di quantità.

- Più dispositivi NC si possono collegare in serie tra di loro senza alcun limite di quantità.
- Più dispositivi a resistenza costante 8,2KΩ possono essere collegati "in cascata" con una sola resistenza di terminazione da 8,2KΩ
- E' possibile la combinazione di NA ed NC ponendo i 2 contatti in parallelo con l'avvertenza di porre in serie al contatto NC una resistenza da 8,2KΩ (ciò rende possibile anche la combinazione di 3 dispositivi: NA, NC e 8,2KΩ).

⚠ Se l'ingresso STOP è usato per collegare dispositivi con funzioni di sicurezza solo i dispositivi con uscita a resistenza costante 8,2KΩ garantiscono la categoria 3 di sicurezza ai guasti secondo la norma EN 954-1.

7.3.2) Fotocellule

La centrale di TEN è provvista della funzione "Fototest" che aumenta l'affidabilità dei dispositivi di sicurezza, permettendo di raggiungere la "categoria 2" secondo la norma EN 954-1 per quanto riguarda l'insieme centrale e fotocellule di sicurezza.

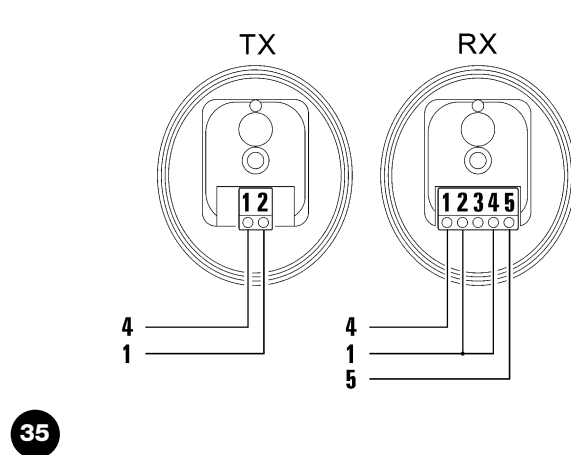
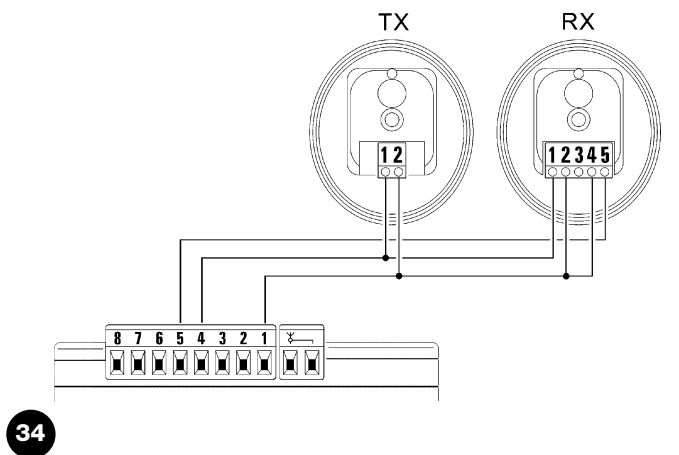
Ogni volta che viene avviata una manovra vengono controllati i dispositivi di sicurezza coinvolti, solo se tutto è a posto la manovra ha inizio. Se invece il test non da esito positivo (fotocellula accecata

dal sole, cavi in corto circuito ecc.) viene individuato il guasto e la manovra non viene eseguita.

Per la funzione "fototest" è necessario uno specifico collegamento dei trasmettitori delle fotocellule (vedere Figura 36 e Figura 37). La centrale riconosce il collegamento in modo "fototest" durante la fase di apprendimento (vedere paragrafo "4.3 apprendimento delle posizioni di apertura e chiusura del portone").

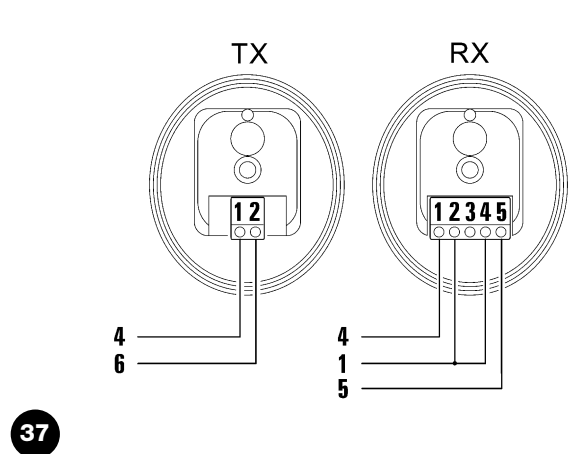
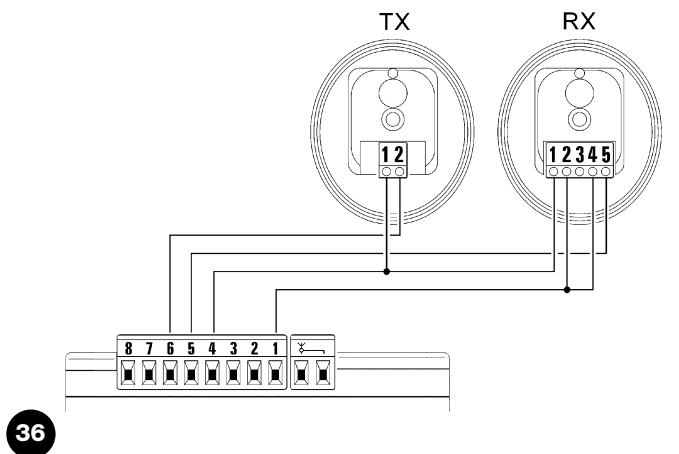
Collegamento senza funzione "Fototest" (Figura 34 e Figura 35):

Alimentare trasmettitori e ricevitori direttamente dall'uscita servizi della centrale (morsetti 1 - 4).



Collegamento con funzione "Fototest" (Figura 36 e Figura 37):

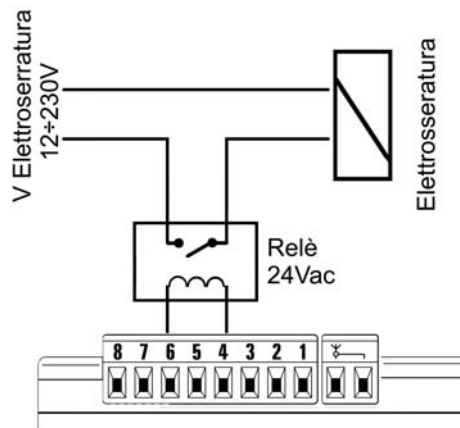
L'alimentazione dei ricevitori è presa direttamente dall'uscita dei servizi (morsetti 1 - 4), mentre quella dei trasmettitori dall'uscita "Fototest" (morsetti 6 - 4). La corrente massima utilizzabile sull'uscita "Fototest" è di 100mA.



Nel caso si usino 2 coppie di fotocellule che si possono interferire tra loro, attivare il sincronismo come descritto nelle istruzioni delle fotocellule.

7.3.3) Elettroserratura

Di fabbrica l'uscita "fototest" è attiva per la funzione "Fototest". In alternativa nella centrale di TEN è possibile programmare l'uscita per il comando di una elettroserratura. All'avvio di ogni manovra di apertura l'uscita viene attivata per una durata di 2 secondi; in questo modo è possibile collegare un dispositivo elettroserratura. Nella manovra di chiusura l'uscita non viene attivata per cui l'elettroserratura deve essere capace di riarmarsi meccanicamente. L'uscita non può comandare direttamente l'elettroserratura ma solo un carico da 24Vac - 2W. L'uscita dovrà essere interfacciata con un relé, come illustrato in Figura 38.



38

7.3.4) Programmazione funzione Fototest / Elettroserratura

Di fabbrica l'uscita al morsetto 6 è programmata con la funzione "Fototest" ma si può cambiare in elettroserratura e viceversa in qualsiasi momento come indicato in Tabella 20. Per questa programmazione è necessario che il lampeggiante sia collegato (oppure una lampada da 12V 21Wmax.).

Tabella 20: programmare l'uscita come Elettroserratura (e viceversa Fototest)	Esempio
1. Spegnerne TEN (ad esempio togliendo F2)	OFF
2. Premere e tenere premuto il tasto [Set]	SET
3. Accendere TEN	ON
4. Sempre con il tasto [Set] premuto, attendere l'avvio della centrale (circa 4s);	SET 4s
5. Se il lampeggiante rimane spento, l'uscita è programmata come fototest, se il lampeggiante rimane acceso, l'uscita è programmata come elettroserratura	Lightbulb icons
6. Sempre con il tasto [Set] premuto, premere e rilasciare (anche più volte) il tasto [▼] . Il lampeggiante si accenderà o spegnerà con questo significato: acceso= elettroserratura spento= fototest	SET, DOWN arrow, Lightbulb icons
7. Rilasciare il tasto [Set]	SET

Dopo aver attivato la funzione "Fototest" ed aver eseguito i relativi collegamenti delle fotocellule è necessario eseguire la procedura di acquisizione quote descritta al paragrafo "4.3 Apprendimento delle posizioni di apertura e chiusura del portone".

7.3.5) Disattivazione Sensibilità variabile alla rilevazione ostacoli.

TEN dispone di un sistema di rilevazione ostacoli che si basa sul controllo dello sforzo del motore.





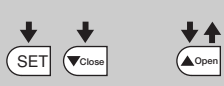

Di fabbrica la sensibilità di questo sistema è variabile: maggiore sensibilità dove il motore ha poco sforzo, minore sensibilità dove il motore ha più sforzo. Il tutto con lo scopo di rilevare gli ostacoli con la massima precisione. Vi sono delle situazioni, ad esempio in caso di forti colpi di vento, in cui questo sistema potrebbe rilevare un falso ostacolo. In queste situazioni, per evitare questo problema è possibile disattivare la sensibilità variabile Tabella 21. Rimangono i 3 livelli "fissi" di forza motore (vedere Tabella 16).

Tabella 21: disattivare la Sensibilità rilevazione ostacoli e viceversa	Esempio
1. Spegnerne TEN (ad esempio togliendo F2)	OFF
2. Premere e tenere premuto il tasto [Set]	SET
3. Accendere TEN	ON
4. Sempre con il tasto [Set] premuto, attendere l'avvio della centrale (circa 4s);	SET 4s
5. Se la luce di cortesia rimane spenta, la rilevazione ostacoli è programmata come "sensibilità variabile", se la luce di cortesia rimane accesa, la rilevazione ostacoli è programmata come "sensibilità fissa"	Lightbulb icons
6. Sempre con il tasto [Set] premuto, premere e rilasciare (anche più volte) il tasto [▲] . La luce di cortesia si accenderà o spegnerà con questo significato: acceso= sensibilità fissa (massima) spento= sensibilità variabile	SET, UP arrow, Lightbulb icons
7. Rilasciare il tasto [Set]	SET

Se si riattiva la sensibilità variabile dopo averla disattivata è consigliabile eseguire la procedura di acquisizione quote descritta al paragrafo "4.3 Apprendimento delle posizioni di apertura e chiusura del portone".

7.3.6) Programmazione del verso di installazione di TEN

Di fabbrica TEN è programmato per essere installato dritto come in Figura 5. Se l'installazione richiede il montaggio capovolto, come in Figura 7, è necessario programmare la centrale di TEN come descritto in Tabella 22.

Tabella 22: programmare il verso di installazione di TEN	Esempio
1. Spegnerne TEN (ad esempio togliendo F2)	
2. Premere e tenere premuto i tasti [Stop] e [Close]	
3. Accendere TEN	
4. Sempre con i tasti [Stop] e [Close] premuti, attendere l'avvio della centrale (circa 4s);	
5. Se i led L1, L2 e L3 sono spenti, TEN è programmato per essere installato dritto come in Figura 5, se i led sono accesi, TEN è programmato per essere installato capovolto come in Figura 7	
6. Sempre con i tasti [Stop] e [Close] premuti, premere e rilasciare (anche più volte) il tasto [Open] . I led L1, L2 e L3 si accenderanno o spegneranno con questo significato: accesi = installazione capovolta (Figura 7) spenti = installazione dritta (Figura 5)	
7. Rilasciare i tasti [Stop] e [Close]	

Attenzione: se viene programmata l'installazione capovolta, durante il normale funzionamento i tasti Open e Close sono scambiati rispetto a quanto riportato sull'etichetta della centrale.

7.4) Funzioni particolari

7.4.1) Funzione "Apri sempre"

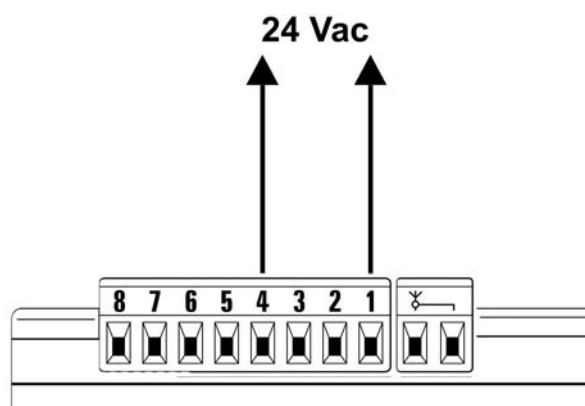
La funzione "Apri sempre" è una proprietà della centrale di controllo che permette di comandare sempre una manovra di apertura quando il comando di "Passo-Passo" ha una durata superiore a 3 secondi; ciò è utile ad esempio per collegare al morsetto PP il contatto di un orologio programmatore per mantenere aperto il portone per una certa fascia oraria. Questa proprietà è valida qualunque sia la programmazione dell'ingresso di PP, (vedere "Funzione PP" in Tabella 16).

7.4.2) Funzione "Muovi comunque"

Nel caso qualche dispositivo di sicurezza non dovesse funzionare correttamente o fosse fuori uso, è possibile comunque comandare e muovere il portone in modalità "Uomo presente". Per i dettagli vedere il paragrafo "Comando con sicurezze fuori uso" presente nell'allegato "Istruzioni ed avvertenze destinate all'utilizzatore del motoriduttore TEN".

7.5) Collegamento altri dispositivi

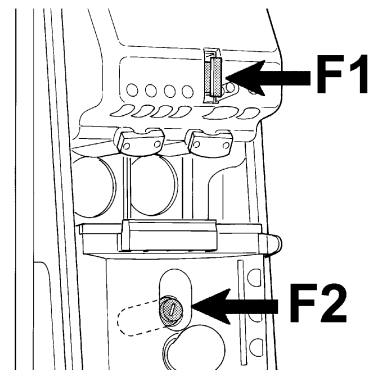
Se vi fosse l'esigenza di alimentare dispositivi esterni ad esempio un lettore di prossimità per tessere a transponder oppure la luce d'illuminazione del selettore a chiave è possibile prelevare l'alimentazione come indicato in (Figura 39). La tensione di alimentazione è 24Vac (-30% +50%) con corrente massima disponibile di 100mA.



39

7.6) Risoluzione dei problemi

Nella tabella 23 è possibile trovare utili indicazioni per affrontare gli eventuali casi di malfunzionamento in cui è possibile incorrere durante l'installazione o in caso di guasto.



40

Tabella 23: ricerca guasti

Sintomi	Probabile causa e possibile rimedio
Il trasmettitore radio non comanda il portone ed il led sul trasmettitore non si accende	Verificare se le pile del trasmettitore sono scariche, eventualmente sostituirle.
Il trasmettitore radio non comanda il portone ma il led sul trasmettitore si accende.	Verificare se il trasmettitore è correttamente memorizzato nel ricevitore radio. Verificare la corretta emissione del segnale radio del trasmettitore con questa prova empirica: premere un tasto ed appoggiare il led all'antenna di un comune apparecchio radio (meglio se di tipo economico) acceso e sintonizzato sulla banda FM alla frequenza di 108,5Mhz o quanto più prossima; si dovrebbe ascoltare un leggero rumore con pulsazione gracchiante.
Non si comanda nessuna manovra ed il led OK non lampeggia	Verificare che TEN sia alimentato con la tensione di rete 230V. Verificare che i fusibili F1 e F2 non siano interrotti; in questo caso, verificare la causa del guasto e poi sostituirli con altri dello stesso valore di corrente e caratteristiche (Figura 40).
Non si comanda nessuna manovra ed il lampeggiante è spento	Verificare che il comando venga effettivamente ricevuto. Se il comando giunge sull'ingresso PP il led OK esegue un doppio lampeggio per segnalare che il comando è stato ricevuto.
La manovra non parte e il lampeggiante fa alcuni lampeggi	Contare il numero di lampeggi e verificare secondo quanto riportato in tabella 24.
La manovra ha inizio ma subito dopo avviene la breve inversione	La forza selezionata potrebbe essere troppo bassa per muovere il portone. Verificare se ci sono degli ostacoli ed eventualmente selezionare una forza superiore.

7.7) Diagnostica e segnalazioni

Alcuni dispositivi offrono direttamente delle segnalazioni particolari attraverso le quali è possibile riconoscere lo stato di funzionamento o dell'eventuale malfunzionamento.

7.7.1) Segnalazioni con il lampeggiante

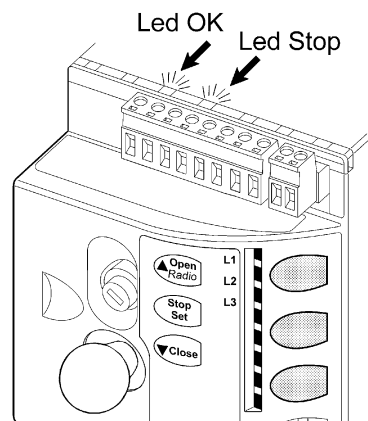
Se viene collegato un lampeggiante, durante la manovra esegue un lampeggio ogni secondo; quando accadono delle anomalie, vengono emessi dei lampeggi più brevi; i lampeggi si ripetono due volte, separati da una pausa di un secondo (Tabella 23). Le stesse segnalazioni sono eseguite anche con la luce di cortesia.

Tabella 24: segnalazioni sul lampeggiante FLASH

Lampeggi veloci	Causa	AZIONE
2 lampeggi pausa di 1 secondo 2 lampeggi	Intervento di una fotocellula	All'inizio della manovra una o più fotocellule non danno il consenso al movimento, verificare se ci sono ostacoli. Durante il movimento di chiusura è normale se effettivamente è presente un ostacolo.
3 lampeggi pausa di 1 secondo 3 lampeggi	Intervento del limitatore della "Forza Motore"	Durante il movimento il portone ha incontrato un maggiore attrito; verificare la causa.
4 lampeggi pausa di 1 secondo 4 lampeggi	Intervento dell'ingresso di STOP	All'inizio della manovra o durante il movimento c'è stato un intervento dell'ingresso di STOP; verificare la causa.
5 lampeggi pausa di 1 secondo 5 lampeggi	Errore nei parametri interni della centrale elettronica	Attendere almeno 30 secondi e riprovare a dare un comando; se lo stato rimane potrebbe esserci un guasto grave ed occorre sostituire la scheda elettronica.
6 lampeggi pausa di 1 secondo 6 lampeggi	Superato il limite massimo di manovre per ora.	Attendere alcuni minuti che il limitatore di manovre ritorni sotto il limite massimo.
7 lampeggi pausa di 1 secondo 7 lampeggi	Errore nei circuiti elettrici interni	Scollegare tutti i circuiti di alimentazione per qualche secondo poi riprovare a dare un comando; se lo stato rimane potrebbe esserci un guasto grave sulla scheda oppure sul cablaggio del motore. Fare le verifiche e le eventuali sostituzioni.

7.7.2) Segnalazioni sulla centrale

Nella centrale di TEN ci sono una serie di LED ognuno dei quali può dare delle segnalazioni particolari, sia nel funzionamento normale che in caso di anomalia (Figura 41).



41

Tabella 25: led sui morsetti della centrale

Led OK	Causa	AZIONE
Spento	Anomalia	Verificare se c'è alimentazione; verificare che i fusibili non siano intervenuti; nel caso, verificare la causa del guasto e poi sostituirli con altri dello stesso valore.
Acceso	Anomalia grave	C'è una anomalia grave; provare a spegnere per qualche secondo la centrale; se lo stato permane c'è un guasto e occorre sostituire la scheda elettronica.
Un lampeggio al secondo	Tutto OK	Funzionamento normale della centrale
2 lampeggi veloci	E' avvenuta una variazione dello stato degli ingressi	E' normale quando avviene un cambiamento di uno degli ingressi: PP, STOP, intervento delle fotocellule o viene utilizzato il trasmettitore radio.
Serie di lampeggi separati da una pausa di un secondo	Varie	E' la stessa segnalazione che c'è sul lampeggiante. Vedere Tabella 23.
Led STOP	Causa	AZIONE
Spento	Intervento dell'ingresso di STOP	Verificare i dispositivi collegati all'ingresso di STOP
Acceso	Tutto OK	Ingresso STOP attivo

Tabella 26: led sui tasti della centrale

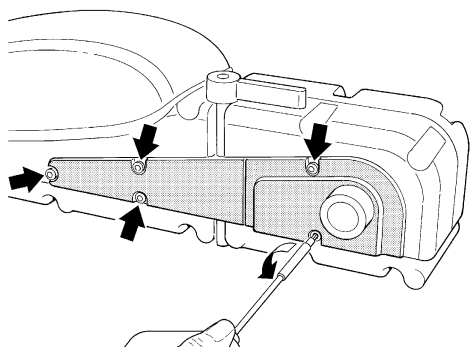
Led 1	Descrizione
Spento	Durante il funzionamento normale indica funzione "velocità chiusura" lenta
Acceso	Durante i primi 15 secondi dall'accensione indica fase di memorizzazione trasmettitore in corso. Durante il funzionamento normale indica funzione "velocità chiusura" veloce
Lampeggia	<ul style="list-style-type: none"> • Programmazione delle funzioni in corso. • Cancellazione o diagnostica dei trasmettitori radio.
Led L2	Descrizione
Spento	Durante il funzionamento normale indica "Velocità apertura" lenta.
Acceso	Durante il funzionamento normale indica "Velocità apertura" veloce.
Lampeggia	<ul style="list-style-type: none"> • Programmazione delle funzioni in corso • Se lampeggia assieme ad L3 indica che è necessario eseguire la fase di apprendimento posizioni di apertura e chiusura del portone (vedere paragrafo "4.3 Apprendimento delle posizioni di apertura e chiusura del portone").
Led L3	Descrizione
Spento	Durante il funzionamento normale indica "Chiusura automatica" non attiva.
Acceso	Durante il funzionamento normale indica "Chiusura automatica" attiva.
Lampeggia	<ul style="list-style-type: none"> • Programmazione delle funzioni in corso • Se lampeggia assieme ad L2 indica che è necessario eseguire la fase di apprendimento delle posizioni di apertura e chiusura del portone (vedere paragrafo "4.3 Apprendimento delle posizioni di apertura e chiusura del portone").

7.8) Accessori

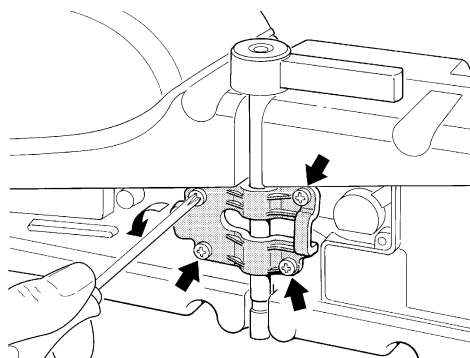
Per TEN sono disponibili i seguenti accessori. Consultare il catalogo prodotti di Nice S.p.A. per l'elenco completo ed aggiornato degli accessori.

- TNA1** Centrale di ricambio per per TN2030 e TNKCE
- OTA2** Staffa supporto motore di lunghezza 1250mm
- OTA3** Staffa supporto motore di lunghezza 2000mm
- TNA4** Coppia alberi di trasmissione di lunghezza 1500mm
- TNA5** Coppia bracci dritti telescopici standard
- TNA6** Coppia bracci curvi telescopici standard
- TNA8** Coppia alberi di trasmissione di lunghezza 200 mm
- OTA11** Kit per sblocco dall'esterno con cordino metallico
- OTA12** Kit per sblocco dall'esterno con nottolino a chiave
- TNA38** Dispositivo di rinvio per 1 coppia di alberi di trasmissione
- TS** Tabella segnaletica

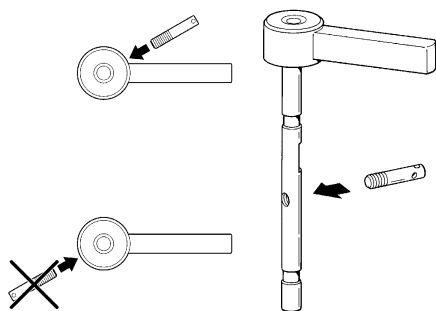
7.8.1) Pre montaggio per OTA11



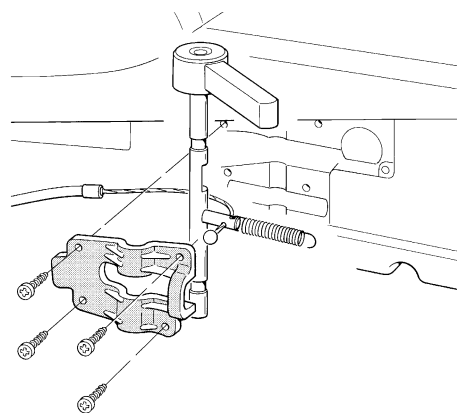
42 Svitare le viti e togliere i coperchi laterali



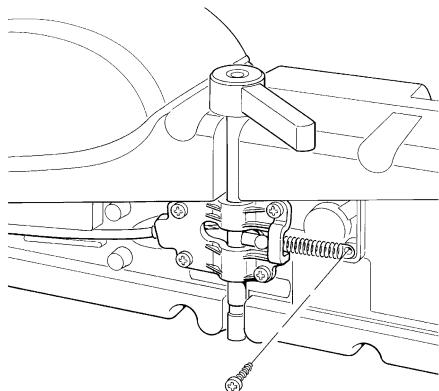
43 Svitare le viti e togliere il collarino



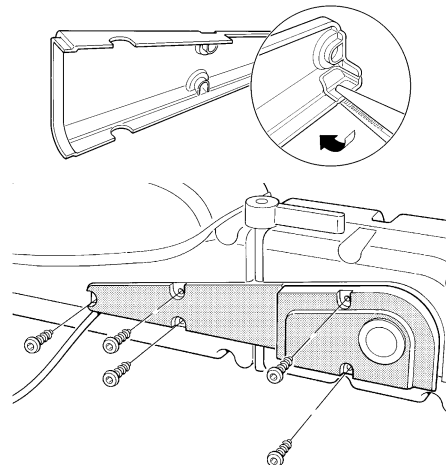
44 Avvitare il perno in dotazione, facendo attenzione alla posizione rispetto alla maniglia



45 Infilare il cordino e la molla, come indicato



46 Fissare la molla con la vite in dotazione 4.2x13, ri-avvitare il collarino ed infine inserire la guaina.



47 Tagliare il pre-stacco presente sul coperchietto e richiudere il tutto, facendo attenzione a non schiacciare le guarnizione

8) Caratteristiche tecniche

Con lo scopo di migliorare i propri prodotti, Nice S.p.a si riserva il diritto modifiche le caratteristiche tecniche in qualsiasi momento e senza preavviso pur mantenendo funzionalità e destinazione d'uso.

Tutte le caratteristiche tecniche riportate si riferiscono alla temperatura ambientale di 20°C (±5°C).

Caratteristiche tecniche: TEN					
Modello tipo	TN2020	TN2030	TNKCE	TN2030+TN2020	
Tipologia	/	Motoriduttore elettromeccanico per il movimento automatico di portoni tipo basculante debordante e non debordante per uso residenziale completo di centrale elettronica di controllo			
Coppia massima allo spunto	320 Nm	320 Nm	280 Nm	420 Nm	
Coppia nominale	220 Nm	220 Nm	200 Nm	280 Nm	
Velocità a vuoto	1.4 (24Vcc)	1.7rpm; la centrale consente di programmare 2 velocità, pari a: 1rpm o 1.7rpm			
Velocità alla coppia nominale	0.9 (24Vcc)	1.2rpm			
Frequenza massima cicli di funzionamento (la centrale limita i cicli al massimo previsto nelle tabelle 3 e 4) *	25 cicli / ora	20 cicli / ora	15 cicli / ora	10 cicli / ora	
Tempo massimo funzionamento continuo (la centrale limita il funzionamento continuo al massimo previsto nelle tabelle 3 e 4) **	14 minuti	11 minuti	10 minuti	8 minuti	
Limiti d'impiego	Generalmente TEN è in grado di automatizzare portoni bilanciati con superficie fino a 8m ² con 1 motore e fino a 14m ² con 2 motori, secondo i limiti previsti in tabella 2.				
Durabilità	Stimata tra 10.000 cicli e 50.000 cicli, secondo le condizioni riportate in tabella 5				
Alimentazione TEN	24 Vcc (-30% +50%)	230Vac (-10% +15%) 50/60Hz.			
Alimentazione TEN/V1		120Vac (-10% +15%) 50/60Hz.			
Potenza massima assorbita con 1 motore	130 W (5.5A)	220 W (1A)	200 W (0.9A)	330 W (1.4A)	
Potenza massima assorbita con 2 motori					
Classe di isolamento	III	I	I	I	
Alimentazione con batterie tampone	no				
Luce di cortesia	12V/10W attacco BA15S				
Uscita lampeggiante	/	Per 1 lampeggiante LUCYB;MLB o MLBT (lampada 12V, 21W)			
Uscita fototest/elettroserratura	/	24Vac /2W			
Ingresso STOP	/	Per contatti normalmente chiusi, normalmente aperti oppure a resistenza costante 8,2Kohm; in autoapprendimento (una variazione rispetto allo stato memorizzato provoca il comando "STOP")			
Ingresso PP	/	Per contatti normalmente aperti (la chiusura del contatto provoca il comando PP)			
Ingresso ANTENNA Radio	/	52 ohm per cavo tipo RG58 o simili			
Ricevitore radio	/	Incorporato			
Funzioni programmabili	/	3 funzioni di tipo ON-OFF e 3 funzioni regolabili (vedere tabelle 15 e 17)			
Funzioni in autoapprendimento	/	Autoapprendimento del tipo di dispositivo di "STOP" (contatto NA, NC o resistenza 8,2KΩ) Autoapprendimento delle posizioni di apertura e chiusura del portone e calcolo dei punti di rallentamento ed apertura parziale			
Temperatura di funzionamento	-20°C ÷ 50°C				
Utilizzo in atmosfera particolarmente acida o salina o potenzialmente esplosiva	No				
Grado di protezione	IP 44				
Dimensioni	512 x 150 h 158				
Peso	7.2 Kg	9.5 Kg	15.5 Kg		
		TN2020	TN2030	TNKCE	TN2030+TN2020
* A 50°C la frequenza massima di funzionamento è (cicli /ora):		"6"	"4"	"4"	"3"
** A 50°C il tempo massimo di funzionamento continuo è (minuti):		"6"	"5"	"5"	"4"

Caratteristiche tecniche	ricevitore radio incorporato
Tipologia	Ricevitore a 4 canali per radiocomando
Frequenza	433.92MHz
Codifica	Digitale codice fisso a 12 Bit, tipo FLO Digitale Rolling code a 52 Bit, tipo FLOR Digitale Rolling code a 64 Bit, tipo SMILO
Compatibilità trasmettitori (1)	A) FLO, VERY VE B) FLOR, VERY VR; solo gruppo singolo: ERGO, PLANO, PLANOTIME, NICEWAY (tutta la linea) C) SMILO
Trasmettitori memorizzabili	Fino a 160 se memorizzati in Modo I
Impedenza di ingresso	52Ω
Sensibilità	migliore di 0.5μV
Portata dei trasmettitori	Fino a 150 m in campo libero; fino a 35m all'interno degli edifici. Questa distanza può variare notevolmente in presenza di ostacoli e disturbi elettromagnetici eventualmente presenti ed è influenzata dalla posizione dell'antenna ricevente
Uscite	Per comandi come da tabelle 8 e 9
Temperatura di funzionamento	-20°C ÷ 55°C

Nota 1: il primo trasmettitore inserito determina anche la tipologia di quelli che si potranno inserire in seguito

Caratteristiche tecniche	trasmettitore: FLO2	trasmettitore: FLO2R-S	trasmettitore: SM2
Tipologia	Trasmettitore 2 canali per radiocomando		
Frequenza	433.92MHz		
Codifica	Digitale codice fisso a 12 Bit, tipo FLO	Digitale Rolling code a 52 Bit, tipo FLOR	Digitale Rolling code a 64 Bit, tipo SMILO
Tasti	2		
Alimentazione	12Vdc con batteria tipo 23A		
Assorbimento	25mA		
Durata della batteria	1 anno, stimata su una base di 20 comandi/giorno della durata di 1s a 20°C (alle basse temperature l'efficienza della batteria diminuisce)		
Potenza irradiata	100μW		
Dimensioni e peso	72 x 40 h 18mm / 30g	72 x 40 h 18mm / 30g	Diametro 48 h14mm / 19g
Grado di protezione	IP 40 (utilizzo in casa o ambienti protetti)		
Temperatura di funzionamento	-40°C ÷ 85°C		

Istruzioni ed avvertenze destinate all'utilizzatore del motoriduttore TEN

Queste istruzioni possono integrare le "Istruzioni ed avvertenze per l'uso dell'automazione" che l'installatore deve consegnare al proprietario dell'automazione e comunque devono essere integrate da esse.

Complimenti per aver scelto per la vostra automazione un prodotto Nice! Nice S.p.a. produce componenti per l'automazione di cancelli, porte, serrande, tapparelle e tende da sole: motoriduttori, centrali di comando, radiocomandi, lampeggianti, fotocellule e accessori. Nice utilizza solo materiali e lavorazioni di qualità, e per vocazione ricerca soluzioni innovative che semplifichino al massimo l'utilizzo delle sue apparecchiature, curate nelle soluzioni tecniche, estetiche, ergonomiche: nella grande gamma Nice il vostro installatore avrà senz'altro scelto il prodotto più adatto alle vostre esigenze. Nice non è però il produttore della vostra automazione, che è invece il risultato di un'opera di analisi, valutazione, scelta dei materiali, e realizzazione dell'impianto eseguita dal vostro installatore di fiducia. Ogni automazione è unica e solo il vostro installatore possiede l'esperienza e la professionalità necessarie ad eseguire un impianto secondo le vostre esigenze, sicuro ed affidabile nel tempo, e soprattutto a regola d'arte, rispondente cioè alle normative in vigore. Un impianto di automazione è una bella comodità, oltre che un valido sistema di sicurezza e, con poche, semplici attenzioni, è destinato a durare negli anni. Anche se l'automazione in vostro possesso soddisfa il livello di sicurezza richiesto dalle normative, questo non esclude l'esistenza di un "rischio residuo", cioè la possibilità che si possano generare situazioni di pericolo, solitamente dovute ad un utilizzo incosciente o addirittura errato, per questo motivo desideriamo darvi alcuni consigli sui comportamenti da seguire per evitare ogni inconveniente:

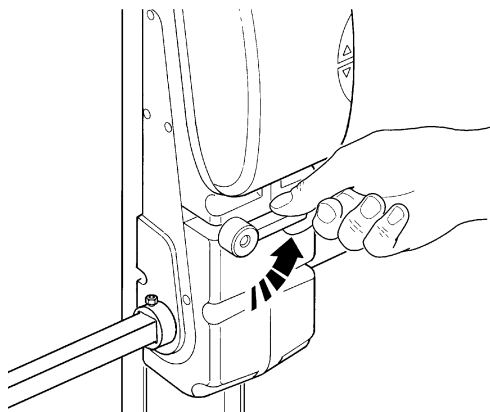
- **Prima di usare per la prima volta l'automazione**, fatevi spiegare dall'installatore l'origine dei rischi residui, e dedicate qualche minuto alla lettura del manuale **di istruzioni ed avvertenze per l'utilizzatore** consegnatovi dall'installatore. Conservate il manuale per ogni dubbio futuro e consegnatelo ad un eventuale nuovo proprietario dell'automazione.
- **La vostra automazione è un macchinario che esegue fedelmente i vostri comandi**; un uso incosciente ed improprio può farlo diventare pericoloso: non comandate il movimento dell'automazione se nel suo raggio di azione si trovano persone, animali o cose.
- **Bambini**: un impianto di automazione garantisce un alto grado di sicurezza, impedendo con i suoi sistemi di rilevazione il movimento in presenza di persone o cose, e garantendo un'attivazione sempre prevedibile e sicura. È comunque prudente vietare ai bambini di giocare in prossimità dell'automazione e per evitare attivazioni involontarie non lasciare i telecomandi alla loro portata: **non è un gioco!**
- **Anomalie**: Non appena notate qualunque comportamento anomalo da parte dell'automazione, togliete alimentazione elettrica all'impianto ed eseguite lo

sblocco manuale. Non tentate da soli alcuna riparazione, ma richiedete l'intervento del vostro installatore di fiducia: nel frattempo l'impianto può funzionare come un'apertura non automatizzata, una volta sbloccato il moto riduttore come descritto più avanti.

- **Manutenzione**: Come ogni macchinario la vostra automazione ha bisogno di una manutenzione periodica affinché possa funzionare più a lungo possibile ed in completa sicurezza. Concordate con il vostro installatore un piano di manutenzione con frequenza periodica; Nice consiglia un intervento ogni 6 mesi per un normale utilizzo domestico, ma questo periodo può variare in funzione dell'intensità d'uso. Qualunque intervento di controllo, manutenzione o riparazione deve essere eseguito solo da personale qualificato.
- Anche se ritenete di saperlo fare, non modificate l'impianto ed i parametri di programmazione e di regolazione dell'automazione: la responsabilità è del vostro installatore.
- o Il collaudo, le manutenzioni periodiche e le eventuali riparazioni devono essere documentate da chi le esegue e i documenti conservati dal proprietario dell'impianto.
Gli unici interventi che vi sono possibili e vi consigliamo di effettuare periodicamente sono la pulizia dei vetri delle fotocellule e la rimozione di eventuali foglie o sassi che potrebbero ostacolare l'automatismo. Per impedire che qualcuno possa azionare il portone, prima di procedere, ricordatevi di **sbloccare l'automatismo** (come descritto più avanti) e di utilizzare per la pulizia solamente un panno leggermente inumidito con acqua.
- **Smaltimento**: Al termine della vita dell'automazione, assicuratevi che lo smantellamento sia eseguito da personale qualificato e che i materiali vengano riciclati o smaltiti secondo le norme valide a livello locale.
- **In caso di rotture o assenza di alimentazione**: Attendendo l'intervento del vostro installatore, o il ritorno dell'energia elettrica, l'automazione può essere azionata come una qualunque apertura non automatizzata. Per fare ciò è necessario eseguire lo sblocco manuale: tale operazione è stata particolarmente studiata da Nice per assicurarvi sempre la massima facilità di utilizzo, senza uso di attrezzi particolari o necessità di sforzo fisico.

Sblocco e movimento manuale: prima di eseguire questa operazione porre attenzione che lo sblocco può avvenire solo quando l'anta è ferma.

Per sbloccare ruotare la maniglia in senso antiorario, e muovere manualmente l'anta (Figura 48).



48

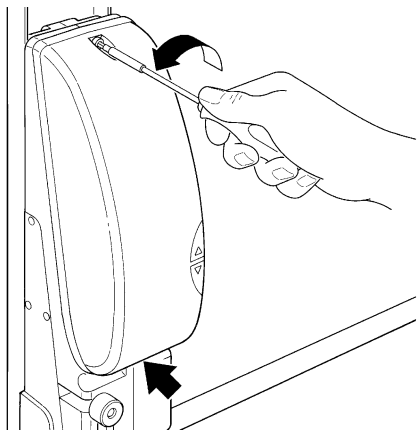
Comando con sicurezze fuori uso: nel caso i dispositivi di sicurezza presenti nel portone non dovessero funzionare correttamente è possibile comunque comandare il cancello.

- Azionare il comando del portone (col telecomando, col selettore a chiave, ecc.); se tutto è a posto il portone si aprirà o chiuderà normalmente, altrimenti il lampeggiante farà alcuni lampeggi e la manovra non partirà (il numero di lampeggi dipende dal motivo per cui la manovra non può partire).
- In questo caso, entro tre secondi si deve **azionare nuovamente e tenere azionato** il comando.
- Dopo circa 2s inizierà il movimento del portone in modalità a "uomo presente", cioè finché si mantiene il comando, il portone continuerà a muoversi; appena il comando viene rilasciato, il portone si ferma.

Con le sicurezze fuori uso è necessario far riparare quanto prima l'automatismo.

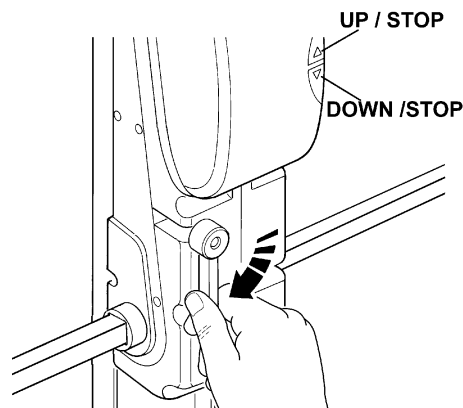
Sostituzione lampada: prima di eseguire questa operazione togliere alimentazione a TEN.

1. Aprire il coperchio svitando le viti come indicato (Figura 50).



50

Per riarmare, riportare la maniglia in posizione verticale ruotandola in senso orario, agire manualmente sull'anta fino all'aggancio (Figura 49).

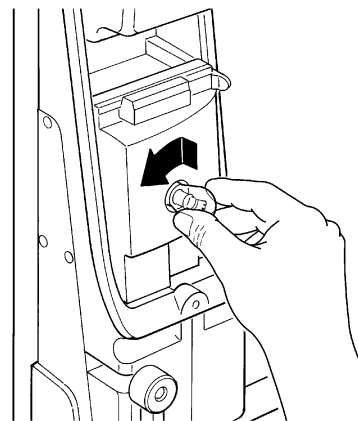


49

Sostituzione pila del telecomando: se il vostro radio-comando dopo qualche tempo vi sembra funzionare peggio, oppure non funzionare affatto, potrebbe semplicemente dipendere dall'esaurimento della pila (a seconda dell'uso, possono trascorrere da diversi mesi fino ad oltre un anno). Ve ne potete accorgere dal fatto che la spia di conferma della trasmissione non si accende, è fioca, oppure si accende solo per un breve istante. Prima di rivolgervi all'installatore provate a scambiare la pila con quella di un altro trasmettitore eventualmente funzionante: se questa fosse la causa dell'anomalia, sarà sufficiente sostituire la pila con altra dello stesso tipo.

Attenzione: Le pile contengono sostanze inquinanti: non gettarle nei rifiuti comuni ma utilizzare i metodi previsti dai regolamenti locali.

2. Svitare la lampadina e sostituirla con una nuova lampadina da 12V/10 W attacco BA15S (Figura 51).



51

Siete soddisfatti? Nel caso voleste aggiungere nella vostra casa un nuovo impianto di automazione, rivolgendovi allo stesso installatore e a Nice vi garantirete, oltre che la consulenza di uno specialista e i prodotti più evoluti del mercato, il migliore funzionamento e la massima compatibilità delle automazioni.

Vi ringraziamo per aver letto queste raccomandazioni, e vi auguriamo la massima soddisfazione dal vostro nuovo impianto: per ogni esigenza presente o futura rivolgetevi con fiducia al vostro installatore.

Ten

Table des matières:

page

1	Avertissements	59	7	Approfondissements	72
2	Description du produit et application	60	7.1	Touches de programmation	72
2.1	Limites d'application	60	7.2	Programmations	72
2.2	Vérifier les composants du produit	61	7.2.1	Fonctions du premier niveau (fonctions ON-OFF)	72
2.3	Installation typique	62	7.2.2	Programmation du premier niveau (fonctions ON-OFF)	73
2.4	Liste des câbles	62	7.2.3	Fonctions du deuxième niveau (paramètres réglables)	73
3	Installation	63	7.2.4	Programmation du deuxième niveau (paramètres réglables)	73
3.1	Contrôles préliminaires	63	7.2.5	Exemple de programmation du premier niveau (fonctions ON-OFF)	74
3.2	Installation de l'opérateur	63	7.2.6	Exemple de programmation du deuxième niveau (paramètres réglables)	74
3.3	Réglage des fins de course	66	7.3	Ajout ou retrait de dispositifs	74
3.4	Installation des différents dispositifs	66	7.3.1	Entrée STOP	75
3.5	Connexions électriques	66	7.3.2	Photocellules	75
3.5.1	Description des connexions électriques	67	7.3.3	Serrure électrique	76
3.5.2	Connexion électrique du second moteur	67	7.3.4	Programmation de la fonction photo-test/serrure électrique	76
4	Contrôles finaux et mise en service	67	7.3.5	Désactivation de la sensibilité variable à la détection des obstacles	76
4.1	Sélection du type d'installation	67	7.3.6	Programmation du sens d'installation de TEN	77
4.2	Branchement au secteur	68	7.4	Fonctions particulières	77
4.3	Reconnaissance des positions d'ouverture et de fermeture de la porte	68	7.4.1	Fonction "ouvre toujours"	77
4.4	Vérification du mouvement de la porte	68	7.4.2	Fonction "manœuvre dans tous les cas"	77
4.5	Fonctions préprogrammées	68	7.5	Connexion d'autres dispositifs	77
4.6	Récepteur radio	68	7.6	Résolution des problèmes	78
4.7	Mémorisation des émetteurs radio	69	7.7	Diagnostic et signalisations	78
4.7.1	Mémorisation en mode I	69	7.7.1	Signalisations avec le clignotant	78
4.7.2	Mémorisation en mode II	70	7.7.2	Signalisations sur la logique de commande	79
4.7.3	Mémorisation "près du récepteur"	70	7.8	Accessoires	80
4.7.4	Cancellazione dei trasmettitori radio	70	7.8.1	Prémontage pour OTA11	80
5	Essai et mise en service	71	8	Caractéristiques techniques	81
5.1	Essai	71		Instructions et avertissements destinés à l'utilisateur de l'opérateur TEN	83
5.2	Mise en service	71			
6	Maintenance et mise au rebut	71			
6.1	Maintenance	71			
6.2	Mise au rebut	72			

1) Avertissements

Ce guide technique contient des informations importantes concernant la sécurité pour l'installation, il faut lire toutes les instructions avant de procéder à l'installation. Conserver soigneusement ce guide pour d'éventuelles consultations futures.

Compte tenu des dangers qui peuvent apparaître durant l'installation et l'utilisation de F210S, il faut, pour garantir une sécurité optimale, que l'installation soit réalisée en totale conformité avec les lois, normes et règlements. Dans ce chapitre, nous donnons des recommandations d'ordre général; d'autres recommandations importantes se trouvent dans les chapitres "3.1 Contrôles préliminaires"; "5 Essai et mise en service".

⚠ D'après la législation européenne la plus récente, la réalisation d'une porte ou d'un portail automatique possède les caractéristiques prévues par la Directive 98/37/CE (Directive Machines) et en particulier par les normes: EN 12445, EN 12453 et EN 12635 qui permettent de déclarer la présomption de conformité.

D'autres informations et les conseils pour l'analyse des risques et la réalisation du dossier technique sont disponibles sur le site: www.niceforyou.com. Ce guide est exclusivement destiné au personnel technique qualifié pour l'installation. À part l'annexe spécifique "Instructions et avertissements destinés à l'utilisateur de l'opérateur TEN" qui sera détaché par l'installateur, aucune autre information contenue dans ce guide ne peut être considérée comme intéressante pour l'utilisateur final!

- Toute utilisation de TEN différente de celle qui est prévue dans ce guide est interdite; les utilisations impropres peuvent être source de dangers ou de dommages aux personnes et aux choses.
- Avant de commencer l'installation, il faut effectuer l'analyse des risques comprenant la liste des exigences essentielles de sécurité par l'annexe I de la directive Machines, en indiquant les solutions adoptées. Nous rappelons que l'analyse des risques est l'un des documents qui constituent le "dossier technique" de l'automatisation.
- Vérifier la nécessité d'autres dispositifs pour compléter l'automatisation avec TEN suivant les conditions spécifiques de l'application et les risques présents; il faut considérer par exemple les risques d'impact, écrasement, cisaillement, coincement, etc., et d'autres dangers en général.
- N'effectuer de modifications sur aucune des parties si elles ne sont pas prévues dans ce guide technique. Des opérations de ce type entraîneront obligatoirement des problèmes de fonctionnement. NICE décline toute responsabilité en cas de dommages dérivant de produits modifiés.
- Pendant l'installation et l'utilisation, éviter que des parties solides ou liquides puissent pénétrer à l'intérieur de la logique de commande ou d'autres composants ouverts; s'adresser éventuellement au service d'assistance NICE; l'utilisation de TEN dans de telles circonstances peut créer des situations de danger.
- L'automatisme ne peut pas être utilisé tant que la mise en service n'a pas été effectuée comme l'explique le chapitre: "5 Essai et mise en service".
- Les matériaux d'emballage de TEN doivent être éliminés conformément aux normes locales en vigueur.
- En cas de pannes qui ne peuvent pas être résolues avec les informations fournies dans ce guide, contacter le service après-vente NICE.
- Si des interrupteurs automatiques ou des fusibles interviennent, avant de les réarmer il faut identifier la cause de leur déclenchement et l'éliminer.
- Avant d'accéder aux bornes situées sous le carter de TEN, déconnecter tous les circuits d'alimentation; si le dispositif de déconnexion n'est pas visible, accrocher une pancarte: "ATTENTION! MAINTENANCE EN COURS".

Avertissements particuliers sur l'appropriation à l'utilisation de ce produit par rapport à la directive "Machines" 98/37/CE (ex 89/392/CEE):

- Ce produit est mis sur le marché comme "composant de machine" et est donc construit pour être incorporé dans une machine ou pour être assemblé avec d'autres appareillages afin de réaliser "une machine" selon les termes de la directive 98/37 seulement en association avec les autres composants et dans les modes décrits dans ce guide technique. Comme le prévoit la directive 98/37 nous rappelons que la mise en service de ce produit n'est pas autorisée tant que le constructeur de la machine dans laquelle ce produit est incorporé ne l'a pas identifié et déclaré conforme à la directive 98/37/CE.

Avertissements particuliers sur l'appropriation à l'utilisation de ce produit par rapport à la directive "Basse tension" 73/23/CEE et à sa modification ultérieure 93/68/CEE:

- Ce produit est conforme aux exigences prévues par la directive "Basse tension" s'il est utilisé dans le but et les configurations prévues dans ce guide technique et en liaison avec les articles présents dans le catalogue des produits de Nice S.p.A.. Les exigences pourraient ne pas être garanties si le produit est utilisé dans des configurations ou avec d'autres produits non prévus; l'utilisation du produit dans ces situations est interdite tant que l'installateur n'a pas vérifié la conformité aux critères prévus par la directive.

Avertissements particuliers sur l'appropriation à l'utilisation de ce produit par rapport à la directive "Compatibilité électromagnétique" 89/336/CEE et à ses modifications ultérieures 92/31/CEE et 93/68/CEE:

- Ce produit a été soumis aux essais relatifs à la compatibilité électromagnétique dans les situations d'utilisation les plus critiques, dans les configurations prévues dans ce guide technique et en liaison avec les articles présents dans le catalogue des produits de Nice S.p.A.. La compatibilité électromagnétique pourrait ne pas être garantie si le produit est utilisé dans des configurations ou avec d'autres produits non prévus; l'utilisation du produit dans ces situations est interdite tant que l'installateur n'a pas vérifié la conformité aux critères requis par la directive.

2) Description du produit et application

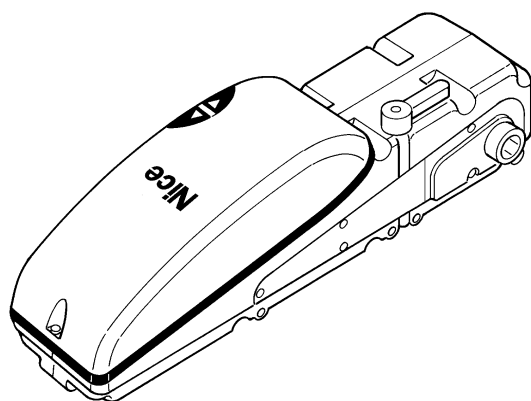
TEN (figure 1) est un opérateur (tableau 1) pour l'automatisation de portes basculantes à contrepoids, de portes basculantes à ressorts, de portes débordantes et non débordantes et de portes pliantes.

TEN est en mesure d'atteindre la limite de la course (en ouverture et en fermeture) grâce à une phase de ralentissement. De plus, il contrôle constamment l'effort auquel il est soumis durant les manœuvres et détecte les éventuelles anomalies, telles qu'un obstacle imprévu qui bloque le mouvement du tablier; dans ce cas, l'automatisme commande l'arrêt et exécute une brève inversion du mouvement.

Tableau 1: description de la composition de TEN

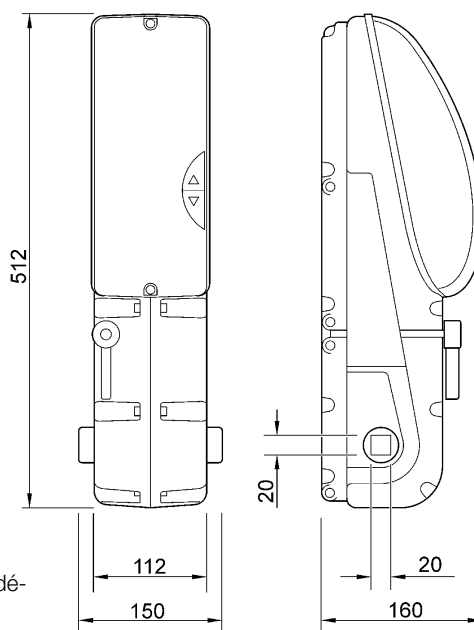
Modèle type	Description
TN2020*	Opérateur irréversible et éclairage automatique. À utiliser comme « esclave » de TN2010 ou TN2030.
TN2030	Opérateur irréversible, logique de commande, fin de course mécanique en ouverture et en fermeture et éclairage automatique.
TNKCE	Opérateur irréversible, logique de commande, fin de course mécanique en ouverture et en fermeture et éclairage automatique. Disponible uniquement en kit et indiqué pour l'automatisation avec un seul moteur central.

* S'il est utilisé différemment, s'assurer que l'alimentation provient d'un système à très basse tension de sécurité, dans lequel n'est générée aucune tension supérieure à la très basse tension de sécurité.



1

Avant d'effectuer l'installation, vérifier l'intégrité des composants du produit, l'adéquation du modèle choisi et son adaptation au lieu prévu pour son installation.



2.1) Limites d'application

Les données relatives aux performances de TEN figurent dans le chapitre "8 Caractéristiques techniques" et sont les seules valeurs qui permettent d'évaluer correctement l'appropriation à l'utilisation. TEN est normalement en mesure d'automatiser des portes basculantes suivant les limites indiquées dans le tableau 2.

Tableau 2: limites d'application des opérateurs TEN

Type de porte	Motorisée avec 1 moteur		Motorisée avec 2 moteurs	
	Hauteur max. 2.6m	Longueur max. 3m	Hauteur max. 2.6m	Longueur max. 5.4m
Porte basculante débordante				
Porte basculante non débordante				

Les mesures indiquées dans le tableau 2 sont indicatives et servent uniquement à une évaluation de principe. La capacité réelle de TEN à automatiser telle ou telle porte dépend du degré d'équilibrage du tablier, des frictions des rails et d'autres phénomènes, parfois occasionnels, comme la pression du vent ou la présence de glace qui pourraient bloquer le mouvement du tablier. Pour une vérification réelle, il est absolument indispensable de mesurer la force nécessaire pour manœuvrer le tablier sur toute sa course et contrôler que celle-ci ne dépasse pas le "couple nominal" indiqué au chapitre 8 "Caractéristiques techniques"; par ailleurs, pour établir le nombre de cycles/heure et de cycles consécutifs, il faut prendre en compte les données des tableaux 3 et 4.

Tableau 3: limites en fonction de la force nécessaire pour manœuvrer le tablier avec 1 TNKCE ou TN2030

Force pour manœuvrer le tablier (Nm)	Cycles/heure maximums			Cycles consécutifs maximums		
	TNKCE	TN2020	TN2030	TNKCE	TN2020	TN2030
Jusqu'à 120	20	30	25	25	33	27
120÷180	18	28	23	23	31	25
180÷220	15	25	20	20	28	22

Tableau 4: limites en fonction de la force nécessaire pour manœuvrer le tablier avec 1 TN2030 + 1 TN2020

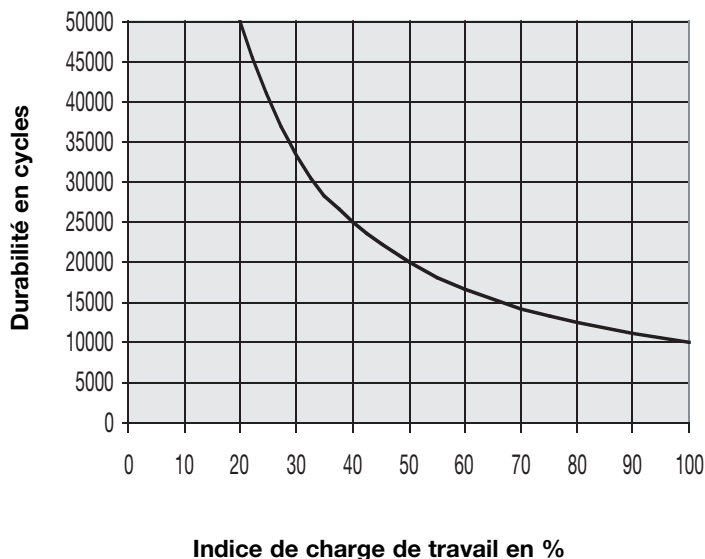
Force pour manœuvrer le tablier (Nm)	Cycles/heure maximums		Cycles consécutifs maximums	
Jusqu'à 150		15		20
150÷250		13		17
250÷350		10		15

Pour éviter les surchauffes, la logique de commande comprend un limiteur qui se base sur l'effort du moteur et sur la durée des cycles en intervenant quand la limite maximum est dépassée.

Le chapitre "8 Caractéristiques techniques" donne une estimation de la "durabilité" c'est-à-dire de la vie économique moyenne du produit. La valeur est fortement influencée par l'indice de charge de travail des manœuvres, c'est-à-dire la somme de tous les facteurs qui concourent à l'usure. Pour effectuer l'estimation, il faut additionner tous les indices de charge de travail du tableau 5, puis avec le résultat total, vérifier dans le graphique la durabilité estimée. Par exemple, le TNKCE sur une porte de 130kg qui requiert une force, pour la manœuvre, de 150Nm, équipé de photocellules et sans autres éléments de fatigue, obtient un indice de charge de travail égal à 60% = (30+20+10). D'après le graphique, la durabilité est estimée à 18.000 cycles. Il faut préciser que l'estimation de la durabilité s'effectue sur la base des calculs de projet et des résultats des essais pratiqués sur les prototypes; s'agissant d'une estimation, elle ne constitue en aucun cas une garantie de la durée effective du produit.

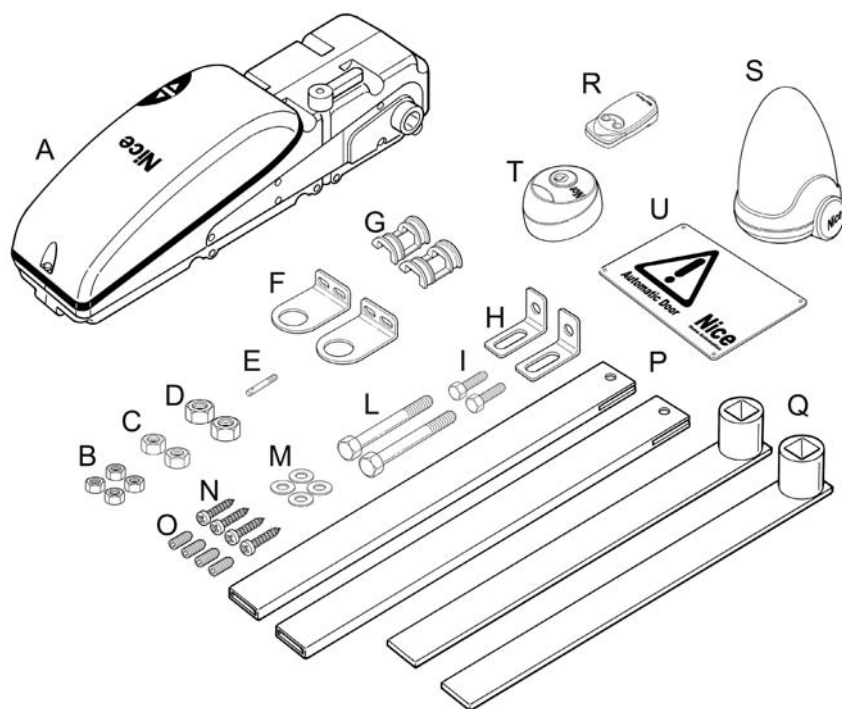
Tableau 5: estimation de la durabilité en fonction de l'indice de charge de travail de la manœuvre

Indice de charge de travail %	TNKCE	TN2030	
	TN2030	TN2020	
Poids du tablier (kg)			
Jusqu'à 70	20	10	
70 ÷ 150	30	20	
150 ÷ 200	40	30	
Plus de 200	60	50	
Force pour manœuvrer le tablier N			
Jusqu'à 100	10	5	
100 ÷ 180	20	15	
180 ÷ 220	40	30	
220 ÷ 280	-	50	
Autres éléments de fatigue (à prendre en compte si la probabilité qu'ils se produisent est supérieure à 10%)			
Température ambiante supérieure à 40°C ou inférieure à 0°C ou humidité supérieure à 80%	10	10	
Présence de poussière ou de sable	15	15	
Présence de sel	20	20	
Interruption de la manœuvre par photocellule	10	10	
Interruption de la manœuvre par "Halte"	20	20	
Vitesse élevée	15	15	
Total indice de charge de travail en %:			



2.2) Vérifier les composants du produit

- Vérifier l'intégrité de l'emballage;
- **Déballer le produit et s'assurer que les pièces suivantes sont bien présentes (figure 2):**

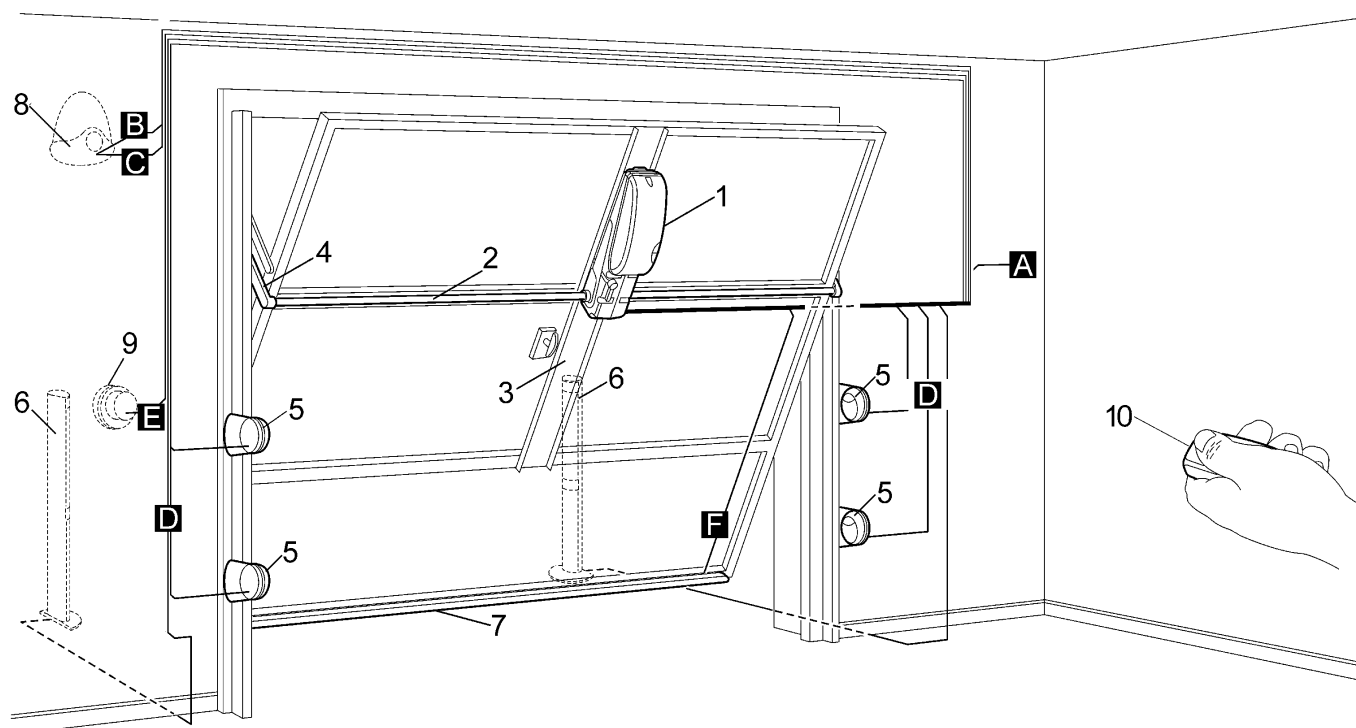


	N. PCS	TNKCE
A	1	Opérateur TEN
B	4	Écrous M6
C	2	Écrous M8
D	2	Écrous M10
E	1	Manivelle de débrayage
F	2	Patte de support du bras
G	2	Douille adaptateur
H	2	Patte de fixation supérieure
I	2	Vis M10 x 30
L	2	Vis M8 x 110
M	4	Rondelles Ø 8
N	4	Vis autotaraudeuses 5,3 x 19
O	4	Goujons filetés M6 x 14
P	2	Tube télescopique
Q	2	Bras droit avec douille soudée
R	1	Émetteur
S	1	Clignotant
T	2	Sélecteur
U	1	Tableau de signalisation

	N. PCS	TN2030 - TN2020
A	1	Opérateur TEN
B	2	Écrous M6
C	2	Écrous M8
E	1	Manivelle de débrayage
L	2	Vis M8 x 110
M	2	Rondelles Ø 8
O	2	Goujons filetés M6 x 14

2.3) Installation typique

La figure 3 montre l'installation typique d'un automatisme pour portes basculantes réalisé avec TEN.



2

- | | |
|--------------------------------|---|
| 1 TEN | 7 Bord sensible |
| 2 Tube carré 20 x 20 | 8 Clignotant 12 V avec antenne incorporée |
| 3 Patte de support | 9 Sélecteur à clé |
| 4 Bras télescopique | 10 Émetteur radio |
| 5 Photocellules | |
| 6 Photocellules sur colonnette | |

2.3) Liste des câbles

Dans l'installation typique de la figure 3, sont également indiqués les câbles nécessaires pour les connexions des différents dispositifs; le tableau 6 indique les caractéristiques des câbles.

⚠ Les câbles utilisés pour la connexion des divers dispositifs doivent être adaptés au type d'installation; par exemple, on conseille un câble type H03VV-F pour la pose à l'intérieur.

Tableau 6: liste des câbles

Connexion	Type de câble	Longueur maximum admise
A: Ligne électrique d'alimentation	1 câble (3x1,5mm ²)	30m (*)
B: Clignotant 12V	1 câble (2x1mm ²)	20m
C: Antenne	1 câble blindé (type RG58)	20m (conseillé: inférieur à 5m)
D: Photocellule émettrice	1 câble (2x0,25mm ²)	20m
D: Photocellule réceptrice	1 câble (3x0,25mm ²)	20m
E: Sélecteur à clé	1 câbles (2x0,25mm ²)	20m
F: Bord sensible	1 câble (2x0,25mm ²)	20m

Notes: (*) si le câble d'alimentation fait plus de 30m de long, il faut utiliser un câble d'une section supérieure (par exemple 3x2,5mm²) et il faut réaliser une mise à la terre de sécurité à proximité de l'automatisme.

3) Installation

⚠ L'installation de TEN doit être effectuée exclusivement par du personnel qualifié, dans le respect des lois, des normes et des règlements ainsi que de toutes les instructions de ce guide.

3.1) Contrôles préliminaires

Avant d'effectuer l'installation de TEN, il faut effectuer les contrôles suivants:

- Vérifier que tout le matériel à utiliser est en excellent état, adapté à l'utilisation et conforme aux normes;
- Vérifier que le poids et les dimensions du tablier rentrent dans les limites d'application indiquées au chapitre 2.1 « Limites d'application »;
- Vérifier, en comparant avec les valeurs figurant dans le chapitre "8 Caractéristiques techniques", que la friction statique (c'est-à-dire la force nécessaire pour mettre le tablier en mouvement) est inférieure à la moitié du "couple nominal"; on conseille une marge de 50 % sur les forces car les conditions climatiques adverses peuvent faire augmenter les frictions;
- Vérifier que, sur la course de la porte basculante, aussi bien en fermeture qu'en ouverture, il n'y a pas de points présentant une plus grande friction;
- Vérifier la robustesse de butées mécaniques et contrôler qu'il n'y a pas de risque de sortie des rails de la porte;
- Vérifier que la porte est bien équilibrée, à savoir qu'elle ne doit pas bouger si on l'arrête dans une position quelconque;
- Vérifier que les points de fixation des différents dispositifs (photocellules, boutons, etc.) se trouvent dans des zones protégées contre les chocs et que les surfaces de fixation sont suffisamment solides;
- En fonction du type de porte, débordante, non débordante ou articulée, vérifier qu'il est possible de fixer TEN aux mesures indiquées respectivement sur les figures 5, 6 ou 7.
- S'il n'y a pas assez de place entre le bras de support et la partie fixe de la porte, il est nécessaire, pour éviter le croisement, d'utiliser l'accessoire "bras courbes".

- Éviter que les parties de l'automatisme puissent être immergées dans l'eau ou dans d'autres substances liquides;
- Ne pas conserver les composants de TEN à proximité de sources de chaleur ni l'exposer à des flammes; ces actions peuvent l'endommager et causer des problèmes de fonctionnement, un incendie ou des situations de danger;
- Si la porte est munie d'un portillon de passage incorporé, s'assurer qu'il ne gêne pas la course normale et installer un système d'interverrouillage adéquat;
- Connecter la logique de commande à une ligne d'alimentation électrique avec mise à la terre;
- La ligne d'alimentation électrique doit être protégée par un disjoncteur magnétothermique associé à un déclencheur différentiel. Sur la ligne d'alimentation du secteur électrique, il faut monter un dispositif de déconnexion de l'alimentation (avec catégorie de surtension III, c'est-à-dire avec une distance entre les contacts d'au moins 3,5 mm) ou bien un autre système équivalent, par exemple une prise et une fiche. Si le dispositif de déconnexion de l'alimentation ne se trouve pas à proximité de l'automatisme, il faut disposer d'un système de blocage contre la connexion accidentelle ou non autorisée.

3.2) Installation de l'opérateur

Le positionnement de TEN varie selon le type de porte à automatiser et les limitations indiquées dans le chapitre "2.1 Limites d'application".

Note: pour l'installation de 2 moteurs, suivre la même procédure que celle indiquée pour un moteur en réalisant l'installation selon les indications de la figure 14.

1. Une fois la typologie définie, fixer la patte de support à la porte, parfaitement à la verticale (figure 4), en respectant les mesures indiquées.
 - 1.1 Pour les portes basculantes débordantes, l'axe de rotation des bras devra être 50÷100 mm au-dessous du bras de support de la porte (figure 5).
 - 1.2 Pour les portes basculantes non débordantes, l'axe de rotation des bras devra être exactement dans l'axe du bras de support de la porte (figure 6).
 - 1.3 Sur les portes basculantes pliantes, l'axe de rotation des bras devra être 50÷100 mm au-dessous de la charnière de rotation de la porte (figure 7).

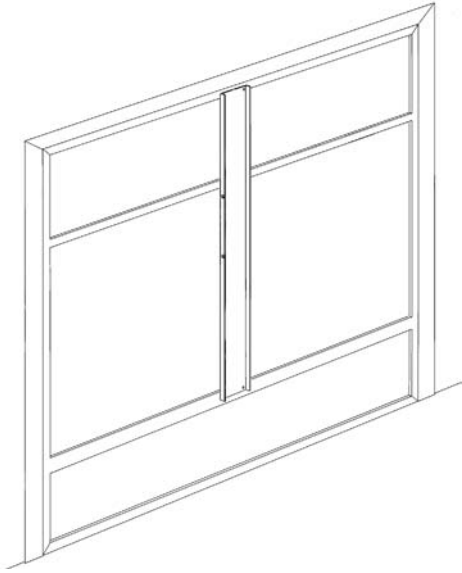
⚠ Si TEN est utilisé renversé, il est nécessaire de programmer la logique de commande; pour ce faire, voir le paragraphe 7.3.6 "Programmation du sens d'installation de TEN".
2. Fixer l'opérateur à la patte avec les vis prévues (figure 8).
3. Débrayer l'opérateur en tournant la poignée dans le sens antihoraire (figure 9).
4. Fixer solidement les pattes de support latéral parfaitement dans l'axe de l'arbre de rotation du moteur et insérer les douilles d'adaptation fournies (figure 10).

En fonction de l'espace présent entre le bras de support et le cadre fixe de la porte, il faudra utiliser des bras droits ou des bras courbes.

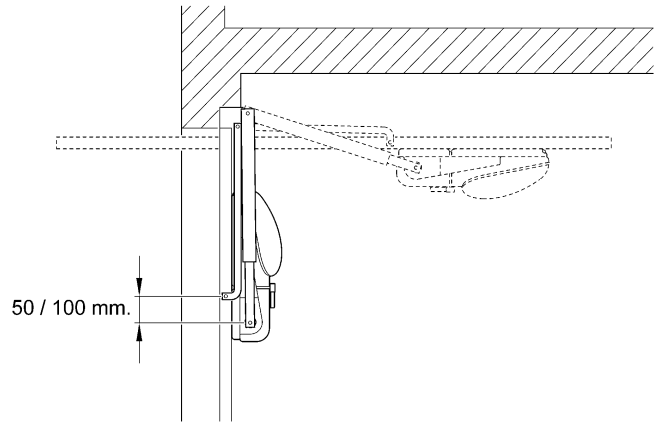
5. Fixer le support supérieur au cadre de la porte (figure 11): s'il est déjà présent, vérifier qu'il est adapté aux bras que l'on veut utiliser. Les mesures indiquées sur la figure 11 sont indicatives: elles peuvent différer en fonction des mesures d'encombrement de la porte.
6. Insérer le tube de transmission dans la douille du bras et dans l'arbre du moteur; couper le tube à la mesure adéquate (figure 12).
7. Ouvrir complètement la porte et couper les bras à la mesure adéquate en veillant à ce qu'ils soient guidés sur au moins 70 mm avec la porte fermée (figure 13). Si la longueur est insuffisante, repositionner le support supérieur ou choisir des bras plus longs.
8. Positionner les bras dans leurs rails et vérifier que la porte coulisse librement sans se coincer ni se bloquer.

Revérifier l'équilibrage: la porte est bien équilibrée quand, une fois arrêtée dans n'importe quelle position de la course, elle reste immobile. Si nécessaire, agir sur les systèmes d'équilibrage.

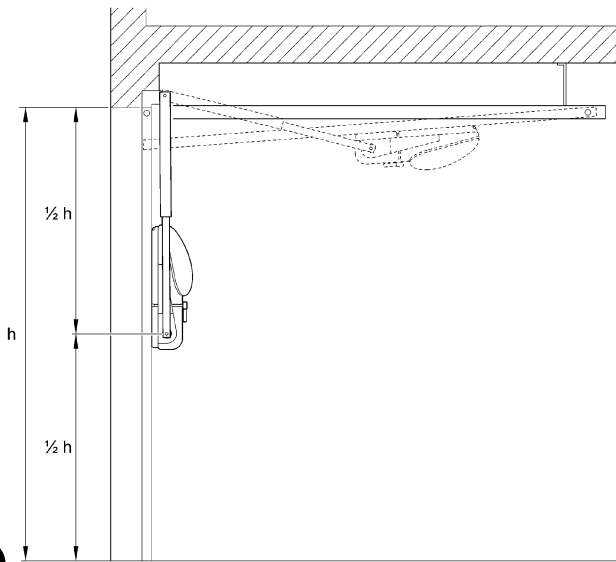
4



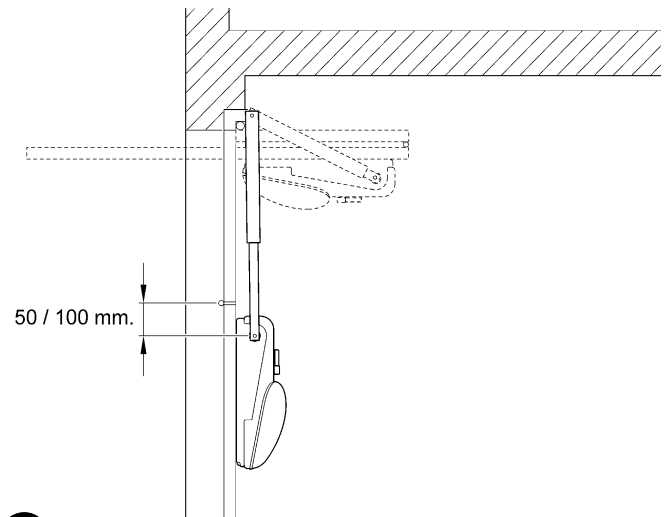
5



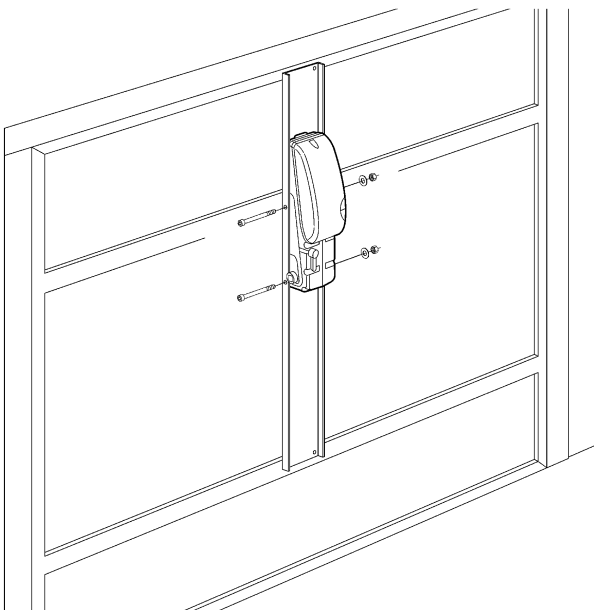
6



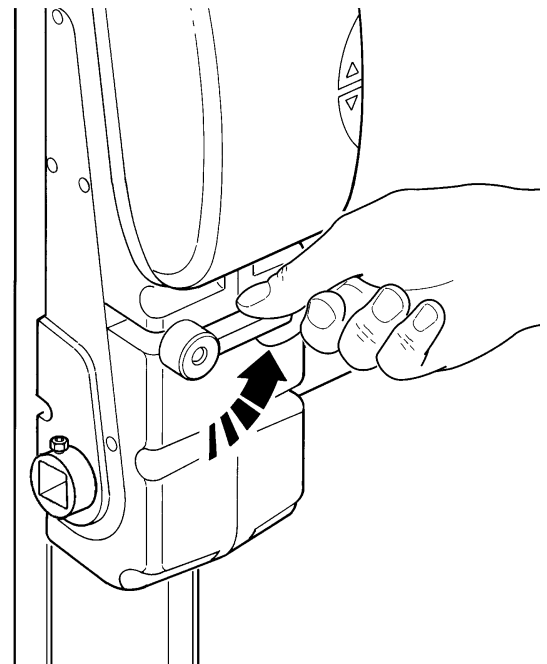
7

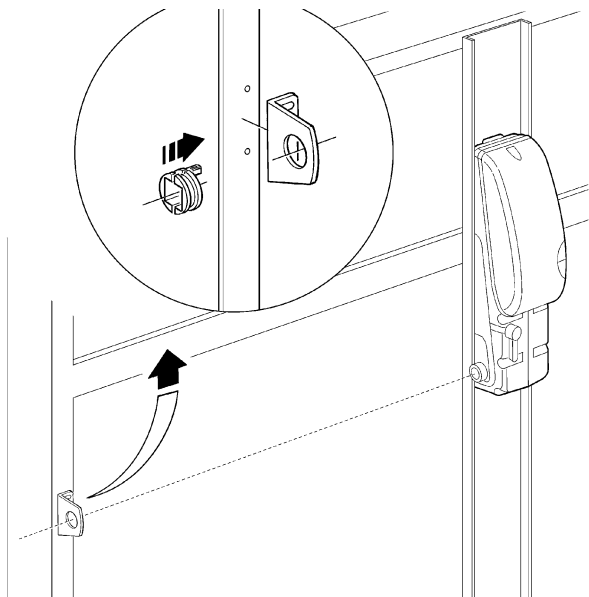


8

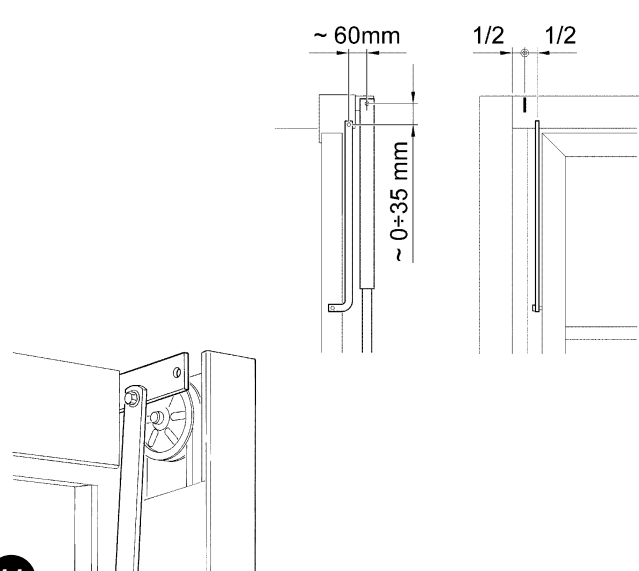


9

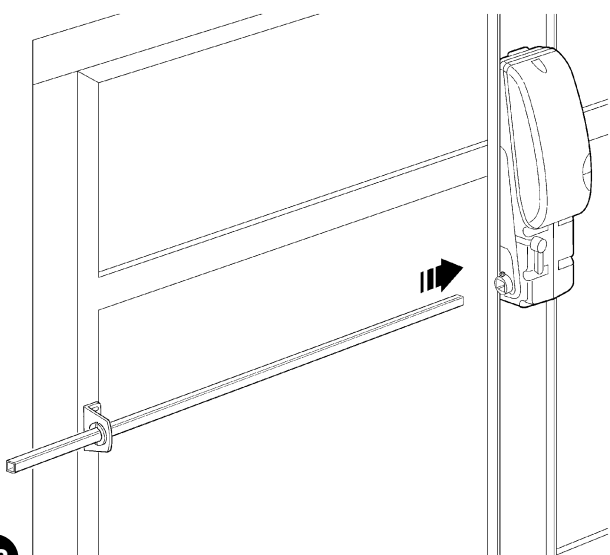




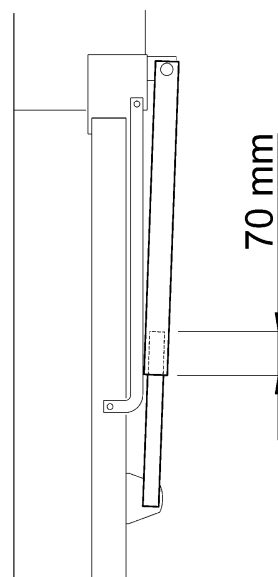
10



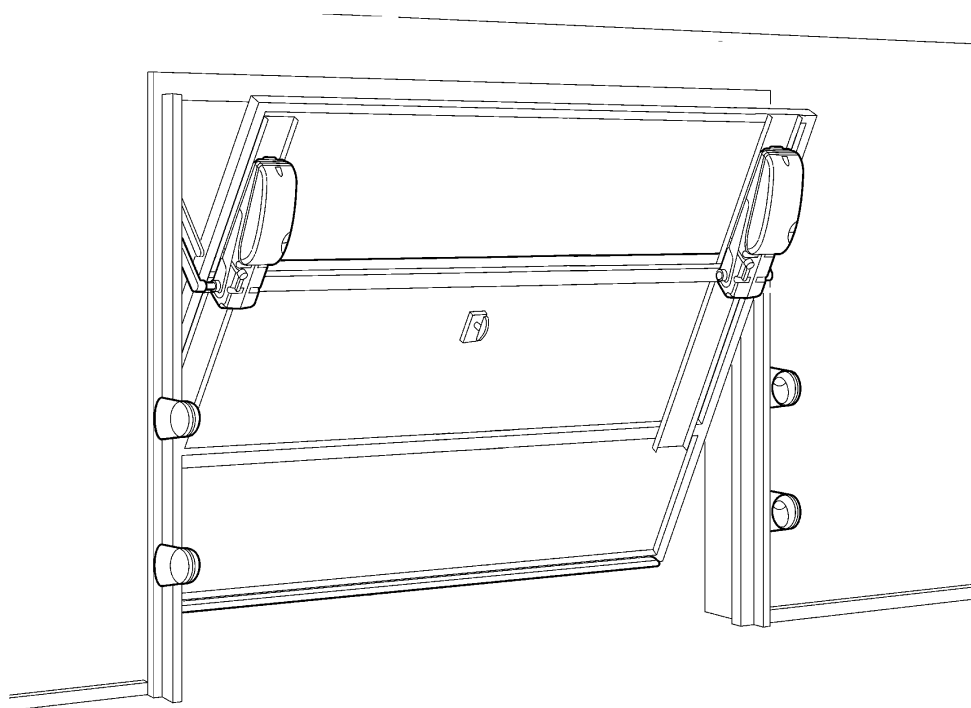
11



12



13



14

F

3.3) Réglage des fins de course

Avec l'opérateur débrayé, agir comme suit: enlever le carter latéral en dévissant les vis (figure 15).

Fin de course d'ouverture: (figure 16)

1. Ouvrir complètement la porte.
2. Tourner la came interne dans le sens antihoraire jusqu'à ce que l'on entende le déclic (intervenir) du microinterrupteur.
3. Serrer fortement la vis de fixation avec une clé à six pans.

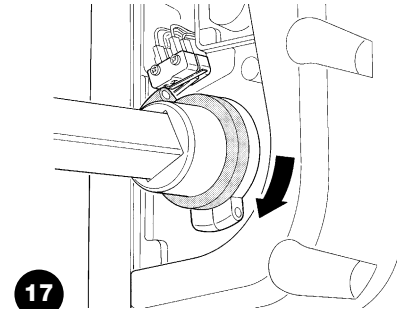
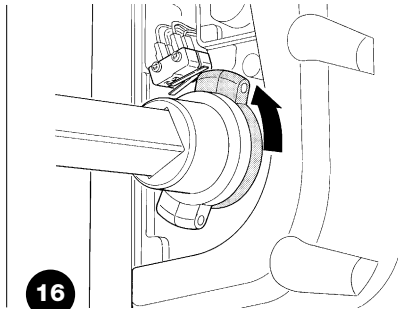
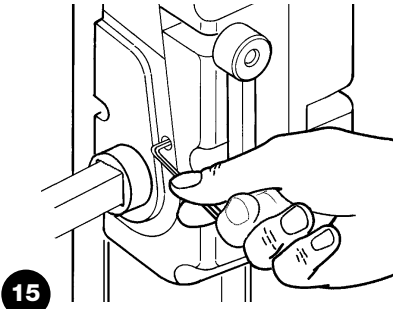
Fin de course de fermeture: (figure 17)

1. Fermer presque complètement la porte (la fermer à environ 2 cm de la butée d'arrêt).

2. Tourner la came externe dans le sens horaire jusqu'à ce que l'on entende le déclic (intervenir) du microinterrupteur.
3. Serrer fortement la vis de fixation avec une clé à six pans.

⚠ La manœuvre de fermeture ne s'interrompt pas suite à la seule intervention du fin de course mais grâce à la combinaison fin de course - butée d'arrêt.

Refermer le carter latéral, en faisant attention au positionnement des câbles et des joints.



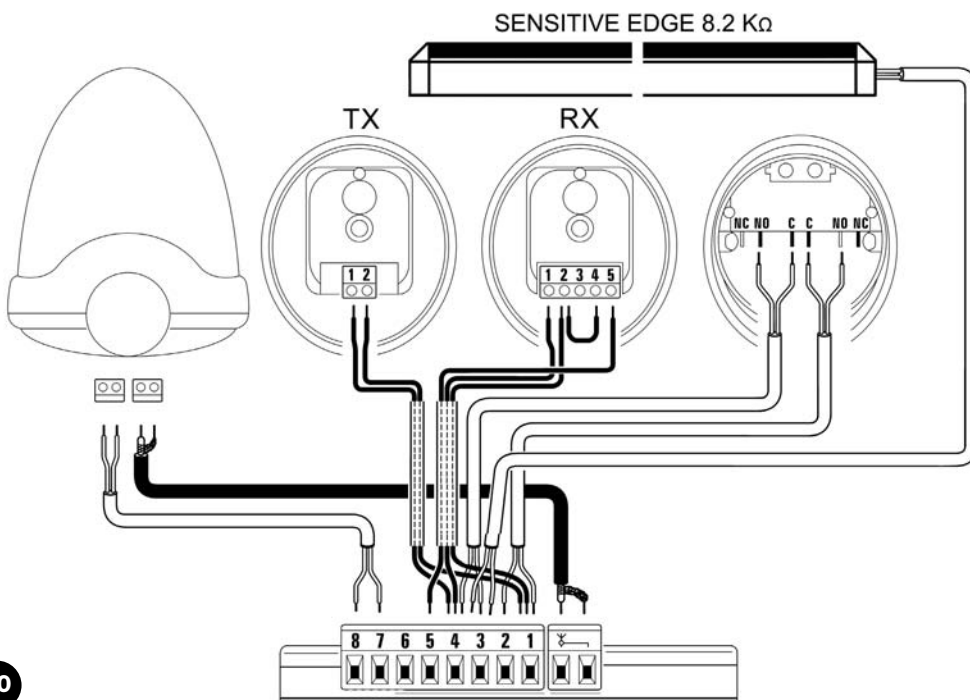
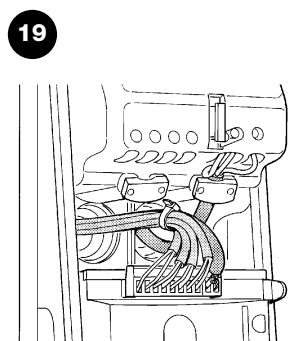
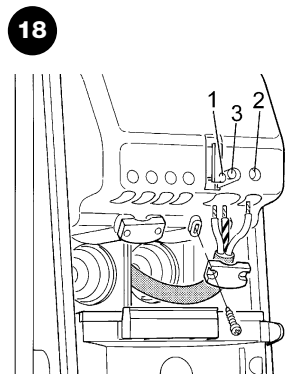
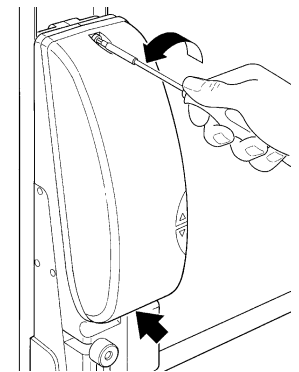
3.4) Installation des différents dispositifs

Installer les autres dispositifs prévus en suivant les instructions correspondantes. Vérifier dans le paragraphe 3.5.1 "Description des connexions électriques" et sur la figure 20 les dispositifs qui peuvent être connectés à TEN.

3.5) Connexions électriques


⚠ Toutes les connexions électriques doivent être réalisées avec l'installation hors tension.

1. Pour effectuer les branchements électriques, dévisser les vis du couvercle (figure 18).
2. Enlever les deux membranes en caoutchouc qui ferment les deux trous pour le passage des câbles; Découper un trou sur la membrane et enfiler le câble d'alimentation dans la membrane et le trou de droite. Découper un trou dans la membrane et faire passer les autres câbles vers les différents dispositifs dans la membrane et le trou de gauche. Laisser aux câbles une longueur de 20 à 30 cm supplémentaire. Voir tableau 6 pour le type de câbles.
3. Connecter le câble d'alimentation du secteur directement sur les bornes 1 (phase), 2 (neutre) et 3 (terre); bloquer avec le câble le collier, comme indiqué sur la figure 19.
4. Effectuer les connexions des autres câbles suivant le schéma de la figure 20. Pour plus de commodité, les bornes peuvent être extraites.
5. Quand les branchements sont terminés, rassembler et bloquer les câbles avec des colliers (figure 21)



3.5.1) Description des connexions électriques

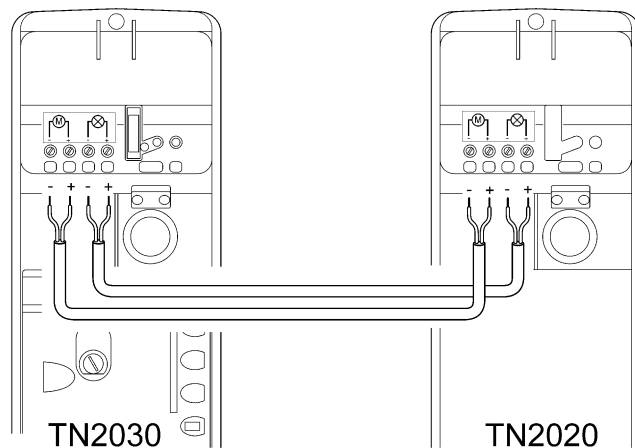
Ce paragraphe contient une brève description des connexions électriques: pour plus d'informations, voir aussi le paragraphe 7.3 "Ajout ou retrait de dispositifs".

N°	Type de borne	Service ou dispositif connecté
	Antenne	Entrée de connexion de l'antenne pour récepteur radio. L'antenne est incorporée sur LUCY B; sinon, il est possible d'utiliser une antenne extérieure ou de laisser le bout de câble qui sert d'antenne, déjà présent dans la borne.
1-2	Pas à pas	Entrée pour dispositifs qui commandent le mouvement; on peut y connecter des contacts du type "normalement ouvert" (NO).
3-4	Arrêt	Entrée pour dispositifs qui bloquent ou éventuellement arrêtent la manœuvre en cours; en adoptant certaines solutions adéquates sur l'entrée, il est possible de connecter des contacts du type "normalement fermé", "normalement ouvert" ou des dispositifs à résistance constante 8,2 kilohms. D'autres informations sur STOP sont fournies dans le paragraphe 7.3.2 "Entrée STOP".
1-5	Photo	Entrée pour dispositifs de sécurité tels que les photocellules. Interviennent durant la fermeture en inversant la manœuvre. Il est possible de connecter des contacts du type "normalement fermé" (NF). D'autres informations sur PHOTO sont fournies dans le paragraphe 7.3.2 "Entrée PHOTO".
4-6	Photo-test ou serrure électrique	Chaque fois qu'une manœuvre est commandée, tous les dispositifs de sécurité sont contrôlés et la manœuvre ne débute que si le test est positif. Cela est rendu possible par l'emploi d'un type de connexion particulier; les émetteurs des photocellules "TX" sont alimentés séparément par rapport aux récepteurs "RX". D'autres informations sur la connexion sont fournies dans le paragraphe 7.3.2 "Entrée PHOTO". Pour la fonction "serrure électrique", voir le paragraphe 7.3.3 "Serrure électrique".
7-8	Clignotant	Sur cette sortie, il est possible de connecter un clignotant NICE "LUCY B" avec une ampoule à 12V 21W type auto. Durant la manœuvre, il clignote à une fréquence régulière de 0,5s.

3.5.2) Connexion électrique du second moteur

Si l'utilisation de deux moteurs est prévue sur l'installation, un TN2030 et un TN2020, il est nécessaire d'effectuer la connexion électrique du second moteur comme cela est décrit ci-dessous.

1. Sur l'opérateur TN2030, effectuer les mêmes branchements que ceux qui sont prévus en cas d'installation d'un seul moteur.
2. Entre la logique de commande du TN2030 et le bornier du TN2020, effectuer la connexion des câbles du second moteur et de l'éclairage automatique du "second moteur" comme indiqué sur la figure 22, en respectant les polarités indiquées.



22

4) Contrôles finaux et mise en service

Avant de commencer la phase de contrôle et de mise en service de l'automatisme, il est conseillé de mettre le tablier à mi-course environ de sorte qu'il puisse se déplacer aussi bien en ouverture qu'en fermeture.

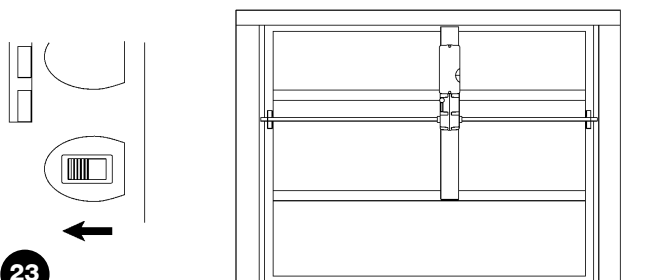
4.1) Sélection du type d'installation

Selon le type d'installation, installation avec 1 moteur ou avec 2 moteurs, il est nécessaire de régler le sélecteur présent sur la logique de commande.

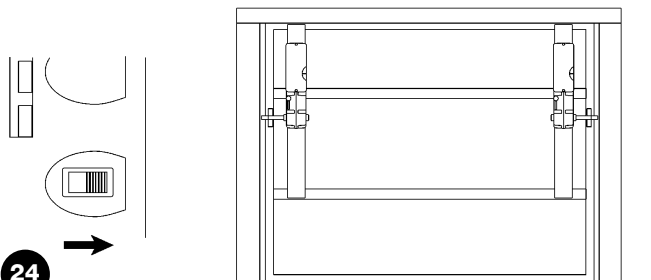
Si l'installation prévoit un seul moteur, déplacer le sélecteur sur la gauche, comme indiqué sur la figure 23.

Si l'installation prévoit deux moteurs, déplacer le sélecteur sur la droite, comme indiqué sur la figure 24.

⚠ Ne pas régler le sélecteur sur "2 moteurs" quand un seul moteur est installé car cela provoquerait un fonctionnement incorrect et pourrait endommager le moteur.



23



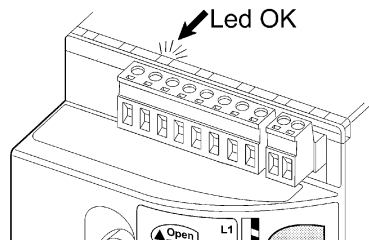
24

4.2) Branchement au secteur

⚠ Le branchement de TEN au secteur doit être effectué par du personnel expert et qualifié en possession des caractéristiques requises et en conformité avec les lois, normes et réglementations.

Dès que TEN est sous tension, il est conseillé de faire quelques vérifications élémentaires:

1. Vérifier que la LED OK clignote régulièrement à la fréquence d'un clignotement à la seconde (figure 25).
 2. Vérifier que le clignotant et l'éclairage automatique sont éteints.
- Si tout cela ne se vérifie pas, il faut immédiatement mettre la logique de commande hors tension et contrôler plus attentivement les connexions électriques.
- D'autres informations utiles pour la recherche et le diagnostic des pannes sont fournies dans le chapitre 7.6 "Résolution des problèmes".



25

4.3) Reconnaissance des positions d'ouverture et de fermeture de la porte

Il faut faire reconnaître par la logique de commande les positions d'ouverture et de fermeture de la porte; dans cette phase, la course de la porte est mesurée de la butée de fermeture au fin de course d'ouverture, car cette mesure est nécessaire pour le calcul des points de ralentissement et le point d'ouverture partielle. En plus de ces positions, la logique détecte et mémorise dans cette phase la configuration de l'entrée STOP et la présence ou non de la connexion de l'entrée PHOTO en mode "Phototest" (voir paragraphe 7.3.2 "Photocellules"). De plus, durant cette phase, la logique de commande mémorise la force nécessaire dans les mouvements d'ouverture et de fermeture.

1. Presser et maintenir enfoncées les touches [▼] et [Set] (figure 26).
2. Relâcher les touches quand la manœuvre débute (au bout de 3 s environ).
3. Attendre que la logique de commande effectue la phase de reconnaissance: fermeture, ouverture et re fermeture de la porte.
4. Appuyer sur la touche [OPEN] pour effectuer une manœuvre complète d'ouverture.
5. Appuyer sur la touche [CLOSE] pour commander la fermeture.

Si tout cela ne se vérifie pas, il faut immédiatement mettre la logique de commande hors tension et contrôler plus attentivement les connexions électriques. Si, à la fin de la reconnaissance, les LED L2 et L3 clignotent, cela veut dire qu'il y a une erreur; voir le paragraphe 7.6 "Résolution des problèmes". Durant ces manœuvres, la logique de commande mémorise la force nécessaire dans les mouvements d'ouverture et de fermeture. La phase de reconnaissance des positions d'ouverture et de fermeture de la porte et de la configuration des entrées STOP et PHOTO peut être refaite à tout moment même après l'installation (par exemple si une came des fins de course est déplacée); il suffit de la répéter à partir du point 1.



26

4.4) Vérification du mouvement de la porte

Après la reconnaissance des positions, il est conseillé d'effectuer quelques manœuvres pour vérifier que le mouvement de la porte est correct.

1. Presser la touche [OPEN] pour commander une manœuvre d'ouverture; vérifier que l'ouverture de la porte s'effectue régulièrement sans variation de vitesse; la porte ne doit ralentir que lorsqu'elle se trouve entre 15 et 5 cm du fin de course et doit s'arrêter suite à l'intervention du fin de course.
2. Presser la touche [CLOSE] pour commander une manœuvre de fermeture; vérifier que la fermeture de la porte s'effectue avec un démarrage lent puis que la vitesse change (uniquement si la fonction est activée); enfin, la porte ne doit ralentir que lorsqu'elle se trouve entre 70 et 50 cm du fin de course de fermeture et doit s'arrêter suite à l'intervention de la butée de fermeture.
3. Durant la manœuvre, vérifier que le clignotant clignote à une fréquence régulière de 0,5 s.
4. Effectuer différentes manœuvres d'ouverture et de fermeture pour mettre en évidence les éventuels défauts de montage et de réglage ou d'autres anomalies comme par exemple les points de plus grande friction;
5. Vérifier que la fixation de l'opérateur TEN, des bras et des pattes est solide et suffisamment résistante même en cas de brusques accélérations ou décélérations du mouvement de la porte.

4.5) Fonctions préprogrammées

La logique de commande de TEN dispose de certaines fonctions programmables; par défaut, ces fonctions sont réglées suivant une configuration qui devrait satisfaire la plupart des automatisations; quoiqu'il en soit, les fonctions peuvent être modifiées à tout moment à l'aide d'une procédure de programmation particulière, voir pour cela le paragraphe 7.2 "Programmations".

4.6) Récepteur radio

Pour la commande à distance de TEN, un récepteur radio est incorporé à la logique de commande; ce récepteur fonctionne à la fréquence de 433,92 MHz compatible avec les types d'émetteurs suivants (tableau 7):

Comme le type de codage est différent, le premier émetteur mémorisé détermine aussi la typologie de ceux qui pourront être mémorisés par la suite. Il est possible de mémoriser jusqu'à 160 émetteurs.

Tableau 7: émetteurs

Codage	Modèle
FLO	FLO1 - FLO2 - FLO4 VERY VE
FLOR	FLOR1 - FLOR2 - FLOR4 VERY VR ERGO1 - ERGO4 - ERGO6 PLANO1 - PLANO4 - PLANO6 - NICEWAY (toute la ligne)
SMILO	SM2 - SM4

4.7) Mémorisation des émetteurs radio

Chaque émetteur est reconnu par le récepteur radio grâce à un "code" différent de tous les autres émetteurs. Une phase de "mémorisation" est donc nécessaire: elle permet de préparer le récepteur à reconnaître chaque émetteur. La mémorisation des émetteurs peut s'effectuer de deux façons:

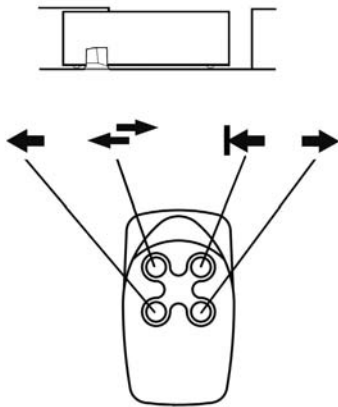
Tableau 8: mémorisation en mode I

Touche T1	Commande "pas à pas"
Touche T2	Commande "ouverture partielle"
Touche T3	Commande "ouverture"
Touche T4	Commande "fermeture"

Note: les émetteurs monocanaux disposent uniquement de la touche T1, les émetteurs à deux canaux uniquement des touches T1 et T2.

Mode I: dans ce mode la fonction des touches de l'émetteur est fixe et chaque touche correspond dans la logique à la commande indiquée dans le tableau 8; on effectue une unique phase pour chaque émetteur dont sont mémorisées toutes les touches, durant cette phase, la touche pressée n'a pas d'importance et une seule place est occupée dans la mémoire.

En **mode I**, un émetteur peut normalement commander un seul automatisme (voir par exemple la figure 27).



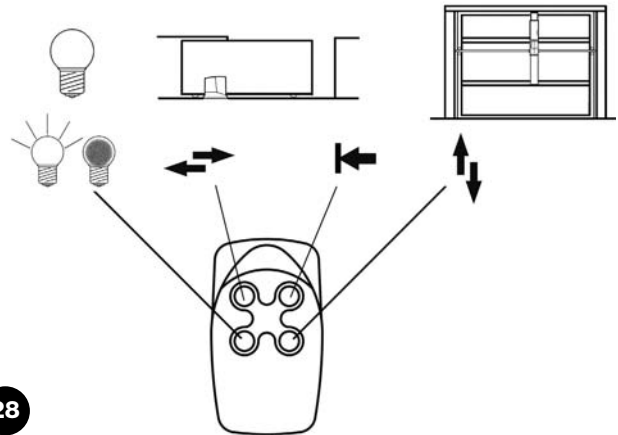
27

Tableau 9: commandes disponibles en mode II

Commande 1	"pas à pas"
Commande 2	"porte piétonne"
Commande 3	"ouverture"
Commande 4	"fermeture"

Mode II: dans ce mode, chaque touche de l'émetteur peut être associée à l'une des 4 commandes possibles dans la logique et indiquées dans le tableau 9 ci-après; pour chaque phase, une seule touche est mémorisée c'est-à-dire celle qui est pressée durant la phase de mémorisation. Dans la mémoire, une place est occupée pour chaque touche mémorisée.

En **mode II**, un émetteur peut commander avec plusieurs touches plusieurs automatismes (voir par exemple la figure 28).

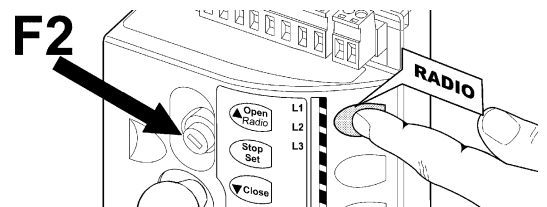


28

⚠ Comme les procédures de mémorisation ont un temps limite de 10 s, il faut d'abord lire les instructions fournies dans les prochains paragraphes avant de les exécuter.

⚠ La mémorisation et l'effacement des émetteurs doivent être effectués dans les 10 secondes qui suivent la mise sous tension. Durant ce laps de temps, la touche sur la logique de commande [▲/OPEN/RADIO] est dédiée à la mémorisation et à l'effacement radio. Quand 10 secondes se sont écoulées depuis le dernier clignotement de la LED L1 ou depuis la dernière pression, la touche est dédiée aux fonctions de commande [OPEN] et de programmation [▲]. Pour signaler la fin du laps de temps réservé à la mémorisation radio, 1 clignotement l'éclairage automatique se produit.

4.7.1) Mémorisation en mode I



29




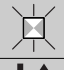
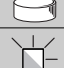

Tableau 10: mémorisation d'un émetteur en mode I

	Exemple
1. Éteindre, attendre au moins 3 secondes puis allumer TEN (par exemple en enlevant F2) (figure 29).	OFF → 3s → ON
2. Dans les 10 s qui suivent la mise sous tension, presser et maintenir enfoncée la touche RADIO sur la logique de commande (pendant au moins 4 s) (figure 29).	▲ 4s
3. Relâcher la touche quand la LED "radio" L1 s'allume.	L1
4. Dans les 10 s, appuyer pendant au moins 3 s sur l'une des touches de l'émetteur à mémoriser.	↕ 3s
5. Si la mémorisation a été effectuée correctement, la LED radio sur la logique de commande émettra 3 clignotements.	⏏ x3

S'il y a d'autres émetteurs à mémoriser, répéter le point 4 dans les 10 s successives.

La phase de mémorisation se termine automatiquement si aucun nouveau code n'est mémorisé dans les 10 secondes qui suivent.

4.7.2) Mémorisation en mode II

Tableau 11: pour mémoriser la touche d'un émetteur en mode II		Exemple
1.	Éteindre, attendre au moins 3 secondes puis allumer TEN (par exemple en enlevant F2).	 3s 
2.	Dans les 10 s qui suivent la mise sous tension, presser la touche RADIO sur la logique de commande un nombre de fois équivalant à la commande voulue suivant le tableau 9 (1 = pas à pas; 2 = ouverture partielle; 3 = ouverture; 4 = fermeture).	 1...4
3.	Vérifier que la LED radio sur la logique de commande émet un nombre de clignotements équivalant à la commande voulue.	 1...4
4.	Dans les 10 s, appuyer pendant au moins 3s sur la touche voulue de l'émetteur radio à mémoriser.	 3s
5.	Si la mémorisation a été effectuée correctement, la LED sur le récepteur émettra 3 clignotements.	 x3



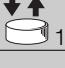



S'il y a d'autres émetteurs à mémoriser, répéter le point 3 dans les 10 s suivantes.

La phase de mémorisation se termine si, pendant 10 s, aucun nouvel émetteur à mémoriser n'est reçu.

4.7.3) Mémorisation "près du récepteur"

Il est possible de mémoriser un nouvel émetteur sans agir directement sur la petite touche du récepteur. Il faut disposer d'un émetteur déjà mémorisé et fonctionnant. Le nouvel émetteur sera mémorisé avec les mêmes caractéristiques que celui qui est déjà mémorisé; cela signifie que si le premier émetteur est mémorisé en mode 1, le nouveau sera mémorisé lui aussi en mode 1 et on pourra presser n'importe quelle touche des émetteurs. Si par contre le premier émetteur est mémorisé en mode II, le nouveau devra être mémorisé lui aussi en mode II et il faudra presser sur le premier la touche relative à la commande désirée, et sur le nouveau la touche à laquelle on désire associer la commande en question.






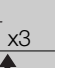
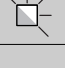
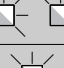



⚠ La mémorisation "près du récepteur" peut s'effectuer dans tous les récepteurs qui se trouvent dans le rayon de portée de l'émetteur déjà mémorisé; il faut donc alimenter uniquement le récepteur concerné par l'opération.

Tableau 12: pour mémoriser un émetteur près du récepteur		Exemple
1.	Avec les deux émetteurs, se placer à proximité du récepteur et effectuer les opérations suivantes:	
2.	Presser pendant au moins 5 s la touche sur le nouvel émetteur radio puis la relâcher.	 5s 
3.	Presser lentement 3 fois la touche sur l'émetteur radio déjà mémorisé.	 1s  1s  1s
4.	Appuyer lentement 1 fois sur la touche sur le nouvel émetteur radio.	 1s

Maintenant, le nouvel émetteur radio sera reconnu par le récepteur et prendra les caractéristiques qu'avait celui qui était déjà mémorisé.

S'il y a d'autres émetteurs à mémoriser, répéter toutes les opérations pour chaque nouvel émetteur.

4.7.4) Effacement des émetteurs radio

Tableau 13: pour effacer tous les émetteurs		Exemple
1.	Éteindre, attendre au moins 3 secondes puis allumer TEN (par exemple en enlevant F2).	 3s 
2.	Dans les 10 s qui suivent la mise sous tension, presser et maintenir enfoncée la touche RADIO sur la logique de commande.	
3.	Attendre que la LED radio s'allume puis attendre qu'elle s'éteigne et enfin attendre qu'elle émette 3 clignotements.	   x3
4.	Relâcher la touche RADIO exactement durant le troisième clignotement.	   
5.	Si la procédure a été effectuée correctement, au bout de quelques instants, la LED émettra 5 clignotements.	 x5

5) Essai et mise en service

Il s'agit de la phase la plus importante dans la réalisation de l'automatisation afin de garantir une sécurité maximum. L'essai peut également être utilisé comme vérification périodique des dispositifs qui composent l'automatisme.

⚠ L'essai de toute l'installation doit être effectué par du personnel qualifié et expérimenté qui devra se charger

d'établir les essais prévus en fonction des risques présents et de vérifier le respect de ce qui est prévu par les lois, les normes et réglementations et en particulier, toutes les conditions de la norme EN 12445 qui détermine les méthodes d'essai pour la vérification des automatismes pour portails et portes.

5.1) Essai

Chaque élément de l'automatisme comme par exemple les bords sensibles, les photocellules, l'arrêt d'urgence, etc. demande une phase spécifique d'essai; pour ces dispositifs, il faudra effectuer les procédures figurant dans les guides techniques correspondants.

Pour l'essai de TEN, effectuer la séquence d'opérations suivante:

1. Vérifier que tout ce qui est prévu dans ce guide technique est rigoureusement respecté, en particulier dans le chapitre 1 "Avertissements".
2. Débloquer la porte en tournant la poignée de débrayage dans le sens antihoraire (figure 48) de chaque moteur; vérifier qu'il est possible de bouger manuellement la porte en ouverture et en fermeture avec une force maximale de 225 N, en agissant sur le point prévu pour la manœuvre manuelle.
3. Bloquer les moteurs à la porte en tournant la poignée de débrayage dans le sens horaire (figure 49).
4. En utilisant les dispositifs de commande ou d'arrêt prévus (sélecteur à clé, boutons de commande ou émetteurs radio), effectuer des essais d'ouverture, de fermeture et d'arrêt de la porte et vérifier que le comportement de la porte correspond à ce qui est prévu.
5. Il convient d'effectuer différentes manœuvres pour contrôler le bon coulissement de la porte et détecter les éventuels défauts de montage et de réglage ainsi que la présence de points de frottement.

6. Vérifier un par un le fonctionnement correct de tous les dispositifs de sécurité présents dans l'installation (photocellules, bords sensibles, arrêt d'urgence, etc.); en particulier, à chaque fois qu'un dispositif intervient, la LED "OK" sur la logique de commande doit effectuer 2 clignotements plus rapides qui confirment que la logique reconnaît l'événement.
7. Pour le contrôle des photocellules et en particulier pour contrôler qu'il n'y a pas d'interférences avec d'autres dispositifs, passer un cylindre d'un diamètre de 5 cm et d'une longueur de 30 cm sur l'axe optique, d'abord à proximité de TX, puis de RX, et enfin au centre entre les deux et vérifier que dans tous les cas le dispositif intervient en passant de l'état d'actif à l'état d'alarme et vice versa. Pour finir, vérifier que cela provoque dans la logique l'action prévue; exemple: dans la manœuvre de fermeture, vérifier que cette action provoque l'inversion du mouvement.
8. Si la protection contre les situations dangereuses provoquées par le mouvement du tablier a été assurée à travers la limitation de la force d'impact, il faut effectuer la mesure de la force conformément à ce qui est prévu par la norme EN 12445. Si le réglage de la "vitesse" et le contrôle de la "force moteur" sont utilisés comme auxiliaires du système pour la réduction de la force d'impact, essayer et trouver le réglage qui donne les meilleurs résultats.

5.2) Mise en service

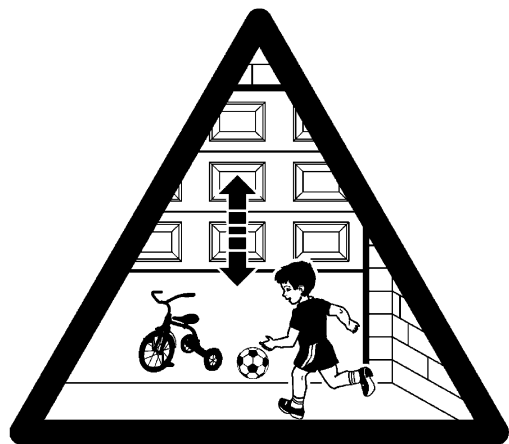
La mise en service ne peut être faite que si toutes les phases d'essai de TEN et des autres dispositifs présents ont été exécutées avec résultat positif. La mise en service partielle ou dans des situations "provisaires" est interdite.

1. Réaliser et conserver au moins 10 ans le dossier technique de l'automatisation qui devra comprendre au moins: dessin d'ensemble de l'automatisation, schéma des connexions électriques, analyse des risques et solutions adoptées, déclaration de conformité du fabricant de tous les dispositifs utilisés (pour TEN, utiliser la déclaration CE de conformité ci-jointe), exemplaire du mode d'emploi et du plan de maintenance de l'automatisme.
2. Appliquer sur la porte une plaquette contenant au moins les données suivantes: type d'automatisme, nom et adresse du constructeur (responsable de la "mise en service"), numéro de série, année de construction et marque "CE".
3. Fixer de manière permanente à proximité de la porte une étiquette ou une plaque indiquant les opérations à effectuer pour le débrayage et la manœuvre manuelle.
4. Fixer de manière permanente sur la porte une étiquette ou une plaque avec cette image (hauteur minimale: 60 mm) (figure 30).
5. Rédiger et remettre au propriétaire la déclaration de conformité de l'automatisme.
6. Rédiger et remettre au propriétaire de l'automatisme le guide

"Instructions et avertissements pour l'utilisation de l'automatisme".

7. Rédiger et remettre au propriétaire le plan de maintenance de l'automatisme (qui doit regrouper toutes les prescriptions pour la maintenance de chaque dispositif).
8. Avant de mettre en service l'automatisme, informer le propriétaire, de manière adéquate et par écrit (par exemple dans le guide "Instructions et avertissements pour l'utilisation de l'automatisme"), sur les risques encore présents.

30



6) Maintenance et mise au rebut

Ce chapitre contient les informations pour l'élaboration du plan de maintenance et la mise au rebut de TEN.

6.1) Maintenance

Pour maintenir un niveau de sécurité constant et pour garantir la durée maximum de tout l'automatisme, il faut effectuer une maintenance régulière.

⚠ La maintenance doit être effectuée dans le plein respect des consignes de sécurité de ce guide et suivant les prescriptions des lois et normes en vigueur.

Si d'autres dispositifs sont présents, suivre ce qui est prévu dans les plans de maintenance respectifs.

1. Pour TEN, il faut effectuer une maintenance programmée au maximum dans les 6 mois ou quand 4.000 manœuvres ont été

effectuées depuis la dernière intervention de maintenance.

2. Débrancher toutes les sources d'alimentation électrique.
3. Vérifier l'état de détérioration de tous les matériaux qui composent l'automatisme avec une attention particulière pour les phénomènes d'érosion ou d'oxydation des parties structurales; remplacer les parties qui ne donnent pas de garanties suffisantes.
4. Vérifier l'état d'usure des parties en mouvement: bras télescopiques, câbles des contrepoids et toutes les parties du tablier et remplacer les parties usées.
5. Reconnecter les sources d'alimentation électrique et effectuer tous les essais et les contrôles prévus dans le paragraphe 5.1 "Essai".

6.2) Mise au rebut

Comme pour l'installation, à la fin de la durée de vie de ce produit, les opérations de démantèlement doivent être effectuées par du personnel qualifié. Ce produit est constitué de différents types de matériaux dont certains peuvent être recyclés et d'autres devront être mis au rebut; informez-vous sur les systèmes de recyclage ou d'élimination prévus par les normes locales en vigueur pour cette catégorie de produit.

⚠ A certains composants du produit peuvent contenir des substances polluantes ou dangereuses qui pourraient avoir des effets nuisibles sur l'environnement et sur la santé des personnes s'ils n'étaient pas adéquatement éliminés.

Comme l'indique le symbole sur la figure 31, il est interdit de jeter ce produit avec les ordures ménagères. Procéder par conséquent à la "collecte différenciée" des composants pour leur traitement conformément aux méthodes prescrites par les normes locales en vigueur

ou restituer le produit au vendeur lors de l'achat d'un nouveau produit équivalent. Certaines réglementations locales peuvent prévoir de lourdes sanctions en cas d'élimination incorrecte de ce produit.

1. Mettre l'automatisme hors tension.
2. Démontez tous les dispositifs et accessoires, suivant la procédure inverse à celle qui est décrite dans le chapitre 3 "Installation".
3. Séparer le plus possible les parties qui peuvent ou doivent être recyclées ou éliminées de manière différente, par exemple séparer les parties métalliques des parties en plastique, les cartes électroniques, les batteries, etc.
4. Trier et confier les différents matériaux ainsi séparés et recyclables à des sociétés spécialisées dans la récupération et le recyclage suivant les réglementations locales.

31



7) Approfondissements

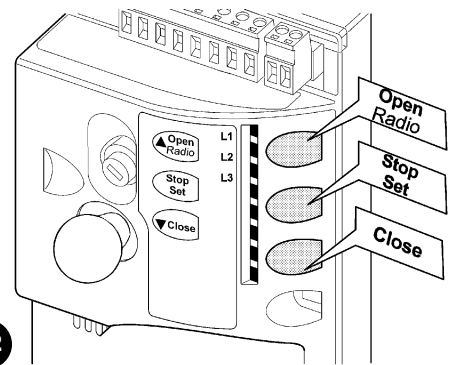
Ce chapitre explique les possibilités de programmation et de personnalisation, ainsi que le diagnostic et la recherche des pannes sur TEN.

7.1) Touches de programmation

La logique de commande de TEN présente 3 touches qui peuvent être utilisées aussi bien pour la commande de la logique durant les essais que pour les programmations (figure 32).

▲ OPEN RADIO	RADIO Dans les 10 secondes qui suivent la mise sous tension, exécute la fonction "RADIO", ce qui permet de mémoriser et d'effacer les émetteurs radio à utiliser avec TEN. Après ce laps de temps, la touche exécute la fonction "OPEN" ce qui permet de commander l'ouverture de la porte ou de déplacer vers le haut le point de programmation.
STOP SET	La touche "STOP" permet d'arrêter la manœuvre; si elle est pressée pendant plus de 5 secondes, elle permet de rentrer dans la programmation.
▼ CLOSE	La touche "CLOSE" permet de commander la fermeture de la porte ou de déplacer vers le bas le point de programmation.

32



⚠ Durant la manœuvre, qu'il s'agisse de l'ouverture ou de la fermeture, toutes les touches exécutent la fonction STOP en arrêtant la course du moteur.

7.2) Programmations

La logique de commande de TEN possède quelques fonctions programmables; le réglage des fonctions s'effectue au moyen de 3 touches présentes sur la logique: **▲** **▼** et **[Set]**; elles sont signalées par 3 LED: **L1**, **L2**, **L3**.

Les fonctions programmables disponibles sur TEN sont disposées sur 2 niveaux:

Premier niveau: fonctions réglables en mode ON-OFF (actif ou non actif); dans ce cas, chaque LED (**L1**, **L2**, **L3**) indique une fonction; si elle est allumée, la fonction est active, si elle est éteinte la fonction n'est pas active (voir tableau 14).

Deuxième niveau: paramètres réglables sur une échelle de valeurs (valeurs de 1 à 3); dans ce cas, chaque LED (**L1**, **L2**, **L3**) indique la valeur réglée parmi les 3 possibles (voir tableau 16).

7.2.1) Fonctions du premier niveau (fonctions ON-OFF)

Tableau 14: liste des fonctions programmables: premier niveau


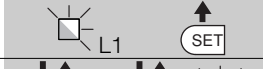

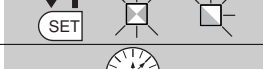

N°	Description	Exemple
L1	Vitesse de fermeture	Cette fonction permet de choisir la vitesse du moteur durant la manœuvre de fermeture entre 2 niveaux: "rapide" et "lente". Si la fonction n'est pas activée, la vitesse réglée est "lente".
L2	Vitesse d'ouverture	Cette fonction permet de choisir la vitesse du moteur durant la manœuvre d'ouverture entre 2 niveaux: "rapide" et "lente". Si la fonction n'est pas activée, la vitesse réglée est "lente".
L3	Fermeture automatique	Cette fonction permet une fermeture automatique de la porte après le temps de pause programmé; le temps de pause est réglé par défaut à 30 secondes mais peut être modifié à 15 ou 60 secondes (voir tableau 16). Si la fonction n'est pas activée, le fonctionnement est semi-automatique.

Durant le fonctionnement normal de TEN, les LED **L1**, **L2** et **L3** sont allumées ou éteintes suivant l'état de la fonction à laquelle elles correspondent; par exemple L3 est allumée si la "fermeture automatique" est activée. L1 indique aussi l'état de la fonction "radio" durant les 10 s qui suivent la mise sous tension.

N.B.: si la vitesse du moteur est réglée sur "rapide" en ouverture et en fermeture et la force du moteur sur "élevée", les ralentissements sont désactivés (à l'exception du ralentissement en fermeture à proximité de la butée d'arrêt).

7.2.2) Programmation du premier niveau (fonctions ON-OFF)

Par défaut, les fonctions du premier niveau sont toutes réglées sur "OFF" mais on peut les modifier à tout moment comme l'indique le tableau 15. Faire attention dans l'exécution de la procédure car il y a un temps maximum de 10 s entre la pression d'une touche et l'autre, autrement la procédure se termine automatiquement en mémorisant les modifications apportées jusque là.

Tableau 15: pour changer les fonctions ON-OFF		Exemple
1.	Presser et maintenir enfoncée la touche [Set] pendant 3 s environ.	
2.	Relâcher la touche [Set] quand la LED L1 commence à clignoter.	
3.	Presser les touches [▲] ou [▼] pour déplacer la LED clignotante sur la LED qui correspond à la fonction à modifier.	
4.	Presser la touche [Set] pour changer l'état de la fonction (clignotement bref = OFF; clignotement long = ON).	
5.	Attendre 10 s pour sortir de la programmation pour cause de temps maximum écoulé.	

Note: les points 3 et 4 peuvent être répétés au cours de la même phase de programmation pour mettre d'autres fonctions en mode ON ou OFF.

7.2.3) Fonctions du deuxième niveau (paramètres réglables)

Tableau 16: liste des fonctions programmables: deuxième niveau				
LED d'entrée	Paramètre	LED (niveau)	valeur	Description
L1	Force moteur	L1	Basse	Règle la sensibilité du contrôle de la force du moteur pour l'adapter au type de porte. Le réglage "élevée" est plus adapté aux portes de grandes dimensions et lourdes.
		L2	Moyenne	
		L3	Élevée*	
L2	Fonction P.P.	L1	Ouverture-stop-fermeture-ouverture	Règle la séquence de commandes associées à l'entrée P.P. ou bien à la première commande radio (voir tableaux 7 et 8).
		L2	Ouverture-stop-fermeture-stop	
		L3	Fonctionnement collectif	
L3	Temps de pause	L1	15 secondes	Règle le temps de pause, à savoir le temps qui s'écoule avant la refermeture automatique. N'a d'effet que si la fermeture automatique est activée.
		L2	30 secondes	
		L3	60 secondes	

Note: "■" représente le réglage par défaut

* si la vitesse du moteur est réglée sur "rapide" en ouverture et en fermeture et la force du moteur sur "élevée", les ralentissements sont désactivés (à l'exception du ralentissement en fermeture à proximité de la butée d'arrêt).

Tous les paramètres peuvent être réglés suivant les préférences sans aucune contre-indication; seul le réglage "force moteur" pourrait demander une attention particulière:


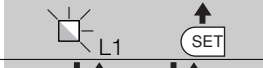


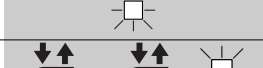
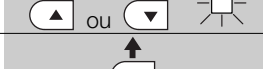


- Il est déconseillé d'utiliser des valeurs de force élevées pour compenser le fait que la porte a des points de friction anormaux. Une force excessive peut compromettre le fonctionnement du système de sécurité ou endommager la porte.

- Si le contrôle de la "force moteur" est utilisé comme soutien du système pour la réduction de la force d'impact, après chaque réglage, répéter la mesure de la force, comme le prévoit la norme EN 12445.

- L'usure et les conditions atmosphériques peuvent influencer le mouvement de la porte, périodiquement il faut reconstrôler le réglage de la force.

7.2.4) Programmation du deuxième niveau (paramètres réglables)

Par défaut, les paramètres réglables sont réglés comme l'illustre le tableau 16 avec "■" mais ils peuvent être modifiés à tout moment comme l'indique le tableau 17. Faire attention durant l'exécution de la procédure car il y a un temps maximum de 10 s entre la pression d'une touche et l'autre, autrement la procédure se termine automatiquement en mémorisant les modifications apportées jusque là.

Tableau 17: pour changer les paramètres réglables		Exemple
1.	Presser et maintenir enfoncée la touche [Set] pendant 3 s environ	
2.	Relâcher la touche [Set] quand la LED L1 commence à clignoter.	
3.	Presser les touches [▲] ou [▼] pour déplacer la LED clignotante sur la "LED d'entrée" qui correspond au paramètre à modifier.	
4.	Presser et maintenir enfoncée la touche [Set] ; la pression sur la touche [Set] doit être maintenue pendant toute la durée des phases 5 et 6.	
5.	Attendre environ 3 s puis la LED qui correspond au niveau actuel du paramètre à modifier s'allumera.	
6.	Presser les touches [▲] ou [▼] pour déplacer la LED qui correspond à la valeur du paramètre.	
7.	Relâcher la touche [Set] .	
8.	Attendre 10 s pour sortir de la programmation pour cause de temps maximum écoulé.	

Note: les points de 3 à 7 peuvent être répétés au cours de la même phase de programmation pour régler plusieurs paramètres.

7.2.5 Exemple de programmation du premier niveau (fonctions ON-OFF)

Comme exemple, nous indiquons les diverses opérations à effectuer pour modifier le réglage des fonctions par défaut pour activer les fonctions de "vitesse d'ouverture élevée" (L2) et "fermeture automatique" (L3).

Tableau 18: exemple de programmation du premier niveau	Exemple
1. Presser et maintenir enfoncée la touche [Set] pendant 3 s environ.	
2. Relâcher la touche [Set] quand la LED L1 commence à clignoter.	
3. Presser une fois la touche [▼] pour déplacer la LED clignotante sur la LED L2.	
4. Presser une fois la touche [Set] pour changer l'état de la fonction associée à L2 (vitesse d'ouverture); maintenant la LED L2 clignote avec un clignotement long.	
5. Presser une fois la touche [Set] pour déplacer la LED clignotante sur la LED L3.	
6. Presser une fois la touche [Set] pour changer l'état de la fonction associée à L3 (fermeture automatique); maintenant la LED L3 clignote avec un clignotement long.	
7. Attendre 10 s pour sortir de la programmation pour cause de temps maximum écoulé.	

À la fin de ces opérations les LED L2 et L3 doivent rester allumées pour indiquer que les fonctions de "vitesse d'ouverture élevée" et "fermeture automatique" sont actives.

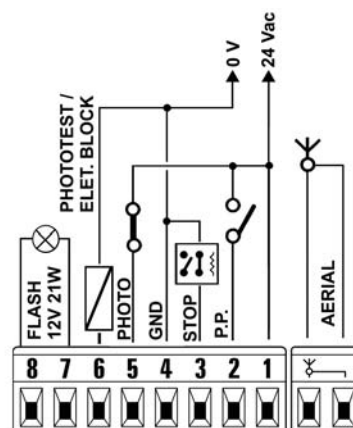
7.2.6 Exemple de programmation du deuxième niveau (paramètres réglables)

Comme exemple, nous indiquons les diverses opérations à effectuer pour modifier le réglage des paramètres par défaut et régler la "force moteur" sur élevée (entrée sur L1 et niveau sur L3) et augmenter le "temps de pause" à 60 s (entrée sur L3 et niveau sur L3).

Tableau 19: exemple de programmation du deuxième niveau	Exemple
1. Presser et maintenir enfoncée la touche [Set] pendant 3 s environ.	
2. Relâcher la touche [Set] quand la LED L1 commence à clignoter.	
3. Presser et maintenir enfoncée la touche [Set] ; la pression sur la touche [Set] doit être maintenue pendant toute la durée des phases 4 et 5.	
4. Attendre environ 3 s jusqu'à ce que la LED L2, qui correspond au niveau actuel de la "force moteur", s'allume.	
5. Presser 1 fois la touche [▼] pour déplacer la LED allumée sur L3 qui représente la nouvelle valeur de la "force moteur".	
6. Relâcher la touche [Set] .	
7. Presser 2 fois la touche [▼] pour déplacer la LED clignotante sur la LED L3.	
8. Presser et maintenir enfoncée la touche [Set] ; la pression sur la touche [Set] doit être maintenue pendant toute la durée des phases 9 et 10.	
9. Attendre environ 3 s jusqu'à ce que la LED L2, qui correspond au niveau actuel du "temps de pause", s'allume.	
10. Presser 1 fois la touche [▼] pour déplacer la LED allumée sur L3 qui représente la nouvelle valeur du "temps de pause".	
11. Relâcher la touche [Set] .	
12. Attendre 10 s pour sortir de la programmation pour cause de temps maximum écoulé.	

7.3) Ajout ou retrait de dispositifs

Il est possible d'ajouter ou d'enlever, à tout moment, des dispositifs à toute automatisation réalisée avec TEN. En particulier, on peut connecter aux entrées "STOP" et "PHOTO" différents types de dispositifs comme l'indiquent les paragraphes 7.3.1 "Entrée STOP" et 7.3.2 "Photocellules". Sur la figure 33 est reporté le schéma électrique pour la connexion des divers dispositifs.



7.3.1) Entrée STOP

STOP est l'entrée qui provoque l'arrêt immédiat de la manœuvre suivi d'une brève inversion. On peut connecter à cette entrée des dispositifs avec sortie à contact normalement ouvert "NO", normalement fermé "NF" ou des dispositifs avec sortie à résistance constante 8,2 kilohms, par exemple des bords sensibles.

La logique reconnaît le type de dispositif connecté à l'entrée STOP durant la phase de reconnaissance (voir paragraphe 4.3 "Reconnaissance des positions d'ouverture et de fermeture de la porte") ensuite un arrêt est provoqué quand une variation quelconque se produit par rapport à l'état reconnu.

En adoptant certaines solutions, on peut connecter à l'entrée STOP plusieurs dispositifs, même de type différent:

- Plusieurs dispositifs NO peuvent être connectés les uns aux autres en parallèle sans aucune limite de nombre.

- Plusieurs dispositifs NF peuvent être connectés les uns aux autres en série sans aucune limite de nombre.
- Plusieurs dispositifs à résistance constante 8,2 kilohms peuvent être connectés "en cascade" avec une seule résistance terminale de 8,2 kilohms.
- Il est possible de combiner NO et NF en mettant les deux contacts en parallèle, en prenant la précaution de mettre en série au contact NF une résistance de 8,2 kilohms (cela donne aussi la possibilité de combiner 3 dispositifs: NO, NF et 8,2 kilohms).

⚠ Si l'entrée STOP est utilisée pour connecter des dispositifs ayant des fonctions de sécurité, seuls les dispositifs avec sortie à résistance constante 8,2 kilohms garantissent la catégorie 3 de sécurité aux pannes selon la norme EN 954-1.

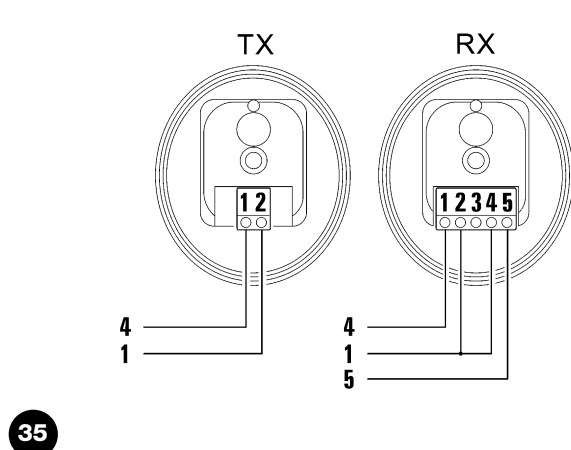
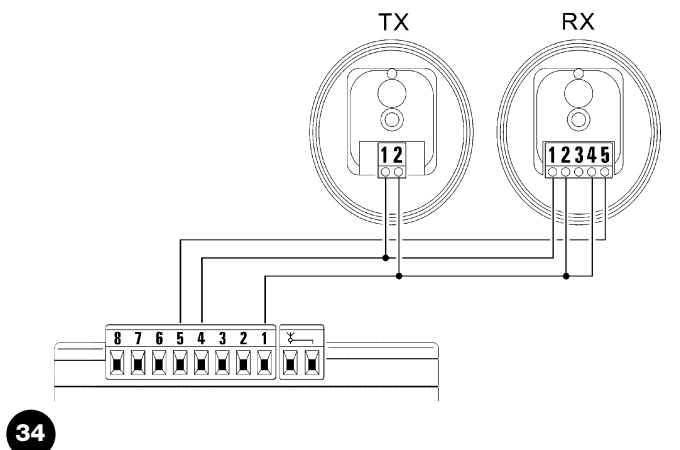
7.3.2) Photocellules

La logique de commande TEN est munie de la fonction "Phototest" qui augmente la fiabilité des dispositifs de sécurité, permettant d'atteindre la Wcatégorie 2 selon la norme EN 954-1 en ce qui concerne l'ensemble logique de commande + photocellules de sécurité. Chaque fois qu'une manœuvre est commandée, tous les dispositifs de sécurité concernés sont contrôlés; la manœuvre ne commence que si le test est positif. En revanche, si le test n'est pas positif

(photocellule éblouie par le soleil, câbles en court-circuit, etc.), la panne est identifiée et la manœuvre n'est pas effectuée. Pour la fonction "photo-test", il est nécessaire de prévoir une connexion spécifique des émetteurs des photocellules (voir fig. 36 et 37). La logique de commande reconnaît la connexion en mode "photo-test" durant la phase de reconnaissance (voir le paragraphe 4.3 "Reconnaissance des positions d'ouverture et de fermeture de la porte").

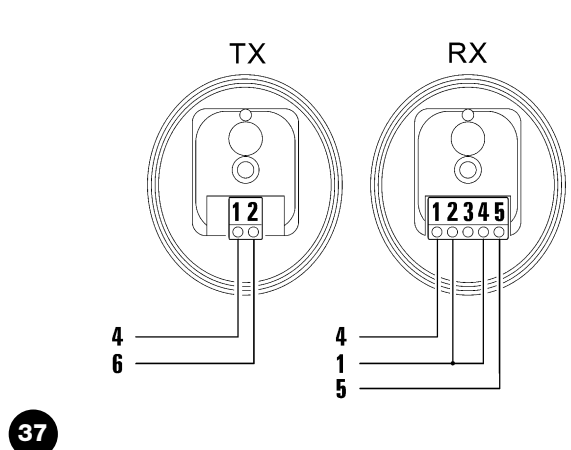
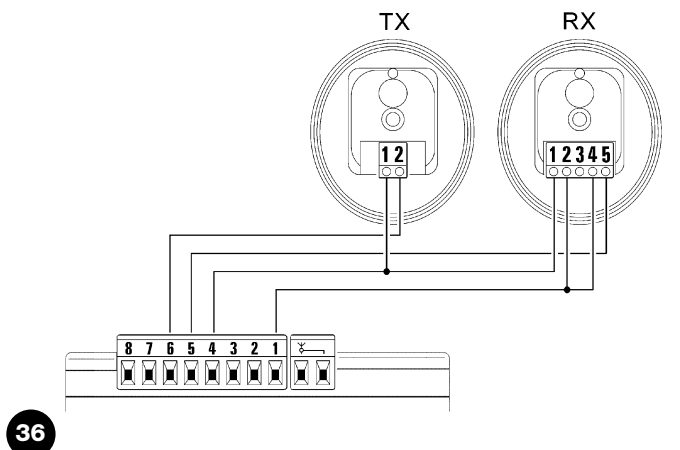
Connexion sans fonction "photo-test" (figure 34 et figure 35).

Alimenter les émetteurs et les récepteurs directement depuis la sortie des services de la logique de commande (bornes 1 - 4).



Connexion avec fonction "photo-test" (figure 36 et figure 37).

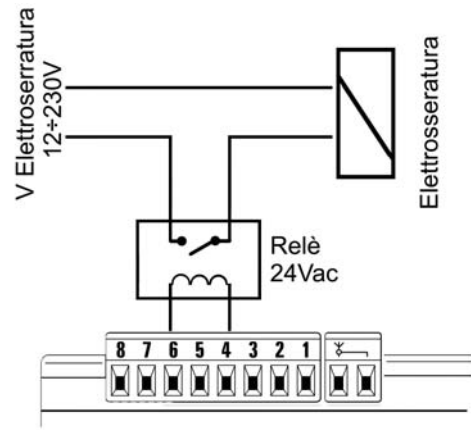
L'alimentation des récepteurs s'effectue directement depuis la sortie des services (bornes 1 - 4), alors que celle des émetteurs s'effectue depuis la sortie "photo-test" (bornes 6 - 4). Le courant maximal utilisable sur la sortie "photo-test" est de 100 mA.



Si on utilise 2 paires de photocellules qui peuvent interférer entre elles, activer le synchronisme suivant les instructions fournies avec les photocellules.

7.3.3) Serrure électrique

Par défaut, la sortie « photo-test » est activée pour la fonction « photo-test ». Sinon, il est possible, sur la logique de commande de TEN, de programmer la sortie pour la commande d'une serrure électrique. Au démarrage de chaque manœuvre d'ouverture, la sortie est activée pendant 2 secondes; il est ainsi possible de connecter une serrure électrique. Durant la manœuvre de fermeture, la sortie n'est pas activée: la serrure électrique doit donc être en mesure de se réenclencher mécaniquement. La sortie ne peut pas commander directement la serrure électrique mais seulement une charge de 24 Vca - 2 W. La sortie devra être interfacée avec un relais comme l'indique la figure 38.



38

7.3.4) Programmation de la fonction photo-test/serrure électrique

Par défaut, la sortie à la borne 6 est programmée avec la fonction « photo-test » mais elle peut être changée en serrure électrique et vice versa à tout moment comme l'indique le tableau 20. Pour cette programmation, il est nécessaire que le clignotant soit connecté (ou une ampoule de 12V 21W max.).

Tableau 20: programmer la sortie comme serrure électrique (et vice versa comme photo-test)	Exemple
1. Éteindre TEN (par exemple en enlevant F2).	OFF
2. Presser et maintenir enfoncée la touche [Set]	SET
3. Allumer TEN	ON
4. Toujours avec la touche [Set] enfoncée, attendre le démarrage de la logique de commande (4 s environ).	SET 4s
5. Si le clignotant reste éteint, la sortie est programmée comme photo-test; s'il reste allumé, la sortie est programmée comme serrure électrique.	Light bulb icons
6. Toujours avec la touche [Set] enfoncée, presser puis relâcher (éventuellement plusieurs fois) la touche [▼] . Le clignotant s'allumera ou s'éteindra indiquant ce qui suit: allumé = serrure électrique éteint = photo-test	SET, ▼, Light bulb icons
7. Relâcher la touche [Set]	SET

Après avoir activé la fonction « photo-test » et effectué les connexions des photocellules, il est nécessaire d'exécuter la procédure de reconnaissance des mesures décrite au paragraphe 4.3 «Reconnaissance des positions d'ouverture et de fermeture de la porte».

7.3.5) Désactivation de la sensibilité variable à la détection des obstacles.

TEN dispose d'un système de détection des obstacles basé sur le contrôle de l'effort du moteur.

Par défaut, la sensibilité de ce système est variable: plus de sensibilité là où le moteur fait peu d'effort, moins de sensibilité là où il fait plus d'effort. Cela a pour but de détecter les obstacles avec une précision maximale. Il y a des situations, par exemple en cas de coups de vent violents où ce système pourrait détecter un faux obstacle. Pour éviter ce problème, il est possible, dans ce type de situations, de désactiver la sensibilité variable (tableau 21). Restent alors les 3 niveaux «fixes» de force du moteur (voir tableau 16).

Tableau 21: désactiver et réactiver la sensibilité de détection des obstacles	Exemple
1. Éteindre TEN (par exemple en enlevant F2)	OFF
2. Presser et maintenir enfoncée la touche [Set]	SET
3. Allumer TEN	ON
4. Toujours avec la touche [Set] enfoncée, attendre le démarrage de la logique de commande (4 s environ)	SET 4s
5. Si l'éclairage automatique reste éteint, la détection des obstacles est programmée comme «sensibilité variable»; s'il reste allumé, la détection des obstacles est programmée comme «sensibilité fixe»	Light bulb icons
6. Toujours avec la touche [Set] enfoncée, presser puis relâcher (éventuellement plusieurs fois) la touche [▲] . L'éclairage automatique s'allumera ou s'éteindra indiquant ce qui suit: allumé = sensibilité fixe (maximale) éteint = sensibilité variable	SET, ▲, Light bulb icons
7. Relâcher la touche [Set]	SET

Pour réactiver la sensibilité variable après l'avoir désactivée, il est conseillé d'exécuter la procédure de reconnaissance des mesures décrite au paragraphe 4.3 «Reconnaissance des positions d'ouverture et de fermeture de la porte».

7.3.6) Programmation du sens d'installation de TEN

Par défaut, TEN est programmé pour être installé droit, comme l'indique la figure 5. Si l'installation nécessite un montage en position renversée, comme sur la figure 7, il est nécessaire de programmer la logique de commande de TEN comme l'indique le tableau 22.

Tableau 22: programmation du sens d'installation de TEN		Exemple
1.	Éteindre TEN (par exemple en enlevant F2)	
2.	Presser et maintenir enfoncées les touches [Stop] et [Close] .	
3.	Allumer TEN.	
4.	Toujours avec les touches [Stop] et [Close] enfoncées, attendre le démarrage de la logique de commande (4 s environ).	4s
5.	Si les LED P1, P2 et P3 sont éteintes, TEN est programmé pour être installé droit comme l'indique la figure 5; si les LED sont allumées, TEN est programmé pour être installé en position renversée comme sur la figure 7	
6.	Toujours avec les touches [Stop] et [Close] enfoncées, presser puis relâcher (éventuellement plusieurs fois) la touche [Open] . Les LED P1, P2 et P3 s'allumeront ou s'éteindront, ce qui signifiera: allumées = installation en position renversée (figure 7) éteintes = installation droite (figure 5)	
7.	Relâcher les touches [Stop] et [Close]	

Attention: si c'est l'installation en position renversée qui est programmée, durant le fonctionnement normal, les touches Open et Close sont interverties par rapport à ce qui est indiqué sur l'étiquette de la logique de commande.

7.4) Fonctions particulières

7.4.1) Fonction "ouvre toujours"

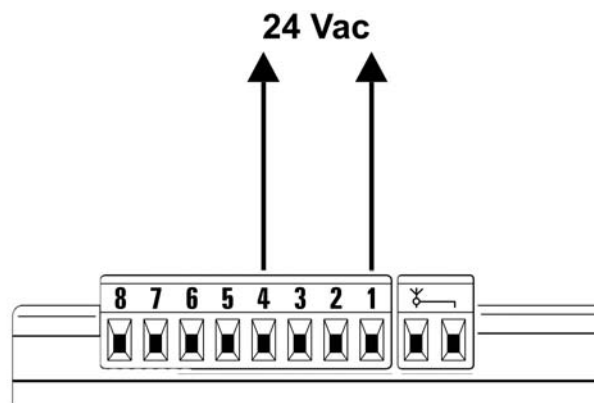
La fonction "ouvre toujours" est une propriété de la logique de commande qui permet de toujours commander une manœuvre d'ouverture quand la commande "pas à pas" dure plus de 3 secondes; c'est utile par exemple pour connecter à la borne P.P. le contact d'une horloge de programmation pour maintenir la porte ouverte pendant une certaine plage horaire. Cette propriété est valable quelle que soit la programmation de l'entrée P.P. (voir "Fonction P.P." dans le tableau 16).

7.4.2) Fonction "manœuvre dans tous les cas"

Si un dispositif de sécurité quelconque devait mal fonctionner ou tomber en panne, il est possible dans tous les cas de commander et de manœuvrer la porte en mode "à action maintenue". Pour les détails, voir le paragraphe "Commande avec les dispositifs de sécurité hors d'usage" présent dans les "Instructions et avertissements destinées à l'utilisateur de l'opérateur TEN" ci-jointes.

7.5) Connexion d'autres dispositifs

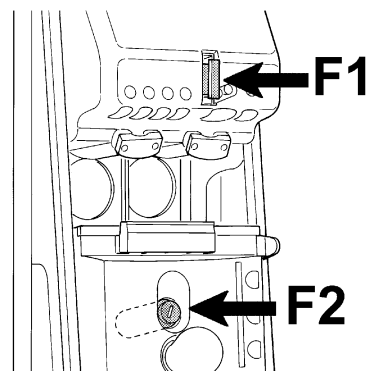
S'il est nécessaire d'alimenter des dispositifs extérieurs, par exemple un lecteur de proximité pour cartes à transpondeur ou bien l'éclairage du sélecteur à clé, il est possible de prélever l'alimentation comme l'indique la figure 39. La tension d'alimentation est de 24Vac (-30% +50%) avec un courant maximum disponible de 100 mA.



39

7.6) Résolution des problèmes

Dans le tableau 23, on peut trouver des indications utiles pour affronter les éventuels problèmes de fonctionnement pouvant se vérifier durant l'installation ou en cas de panne.



40

Tableau 23: recherche des pannes.	
Symptômes	Cause probable et remède possible
L'émetteur radio ne commande pas la porte et la LED sur l'émetteur ne s'allume pas.	Vérifier si les piles de l'émetteur sont usagées et éventuellement les remplacer.
L'émetteur radio ne commande pas la porte mais la LED sur l'émetteur s'allume.	Vérifier si l'émetteur est correctement mémorisé dans le récepteur radio. Vérifier l'émission correcte du signal radio de l'émetteur avec cet essai empirique: presser une touche et appuyer la LED à l'antenne d'un appareil radio quelconque (de préférence de type économique) allumé et réglé sur la bande FM à la fréquence de 108,5 Mhz ou la plus proche possible; on devrait entendre un léger bruit avec pulsation grésillante.
Aucune manœuvre n'est commandée et la LED OK ne clignote pas.	Vérifier que TEN est alimenté à la tension de secteur à 230 V. Vérifier que les fusibles F1 et F2 ne sont pas grillés; si c'est le cas, identifier la cause de la panne et les remplacer par d'autres fusibles ayant les mêmes valeurs de courant et les mêmes caractéristiques (figure 40).
Aucune manœuvre n'est commandée et le clignotant est éteint.	Vérifier que la commande est effectivement reçue. Si la commande arrive à l'entrée PP, la LED OK émet deux clignotements pour signaler que la commande a été reçue.
La manœuvre ne démarre pas et le clignotant émet quelques clignotements.	Compter le nombre de clignotements et vérifier suivant les indications du tableau 24.
La manœuvre commence mais juste après on a une brève inversion.	La force sélectionnée pourrait être trop basse pour manœuvrer la porte. Vérifier s'il y a des obstacles et sélectionner éventuellement une force supérieure.

7.7) Diagnostic et signalisations

Certains dispositifs offrent directement des signalisations particulières à travers lesquelles il est possible de reconnaître l'état de fonctionnement ou l'éventuel problème.

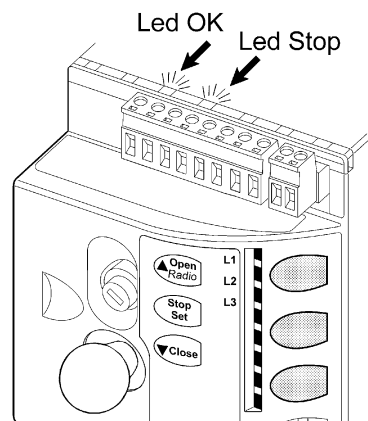
7.7.1) Signalisations avec le clignotant

Si un clignotant est connecté, durant la manœuvre, il émet un clignotement toutes les secondes; quand des anomalies se vérifient, les clignotements sont plus brefs; les clignotements se répètent deux fois, à intervalles d'une seconde (tableau 23). Les mêmes signalisations se produisent également avec l'éclairage automatique.

Tableau 24: signalisations sur le clignotant FLASH		
Clignotements rapides	Cause	ACTION
2 clignotements pause de 1 seconde 2 clignotements	Intervention d'une photocellule	Au début de la manœuvre, une ou plusieurs photocellules n'autorisent pas la manœuvre: vérifier s'il y a des obstacles. Durant le mouvement de fermeture, c'est normal si un obstacle est effectivement présent.
3 clignotements pause de 1 seconde 3 clignotements	Intervention du limiteur de la "force moteur"	Durant le mouvement, la porte a rencontré une friction plus forte; en vérifier la cause.
4 clignotements pause de 1 seconde 4 clignotements	Intervention de l'entrée STOP	Au début de la manœuvre ou durant le mouvement, il y a eu une intervention de l'entrée STOP; en vérifier la cause.
5 clignotements pause de 1 seconde 5 clignotements	Erreur dans les paramètres internes de la logique électronique	Attendre au moins 30 secondes et réessayer d'exécuter une commande; si l'état persiste, il pourrait y avoir une panne grave nécessitant le remplacement de la carte électronique.
6 clignotements pause de 1 seconde 6 clignotements	La limite maximum du nombre de manœuvres à l'heure a été dépassée.	Attendre quelques minutes que le limiteur de manœuvres redescende en-dessous de la limite maximum.
7 clignotements pause de 1 seconde 7 clignotements	Erreur dans les circuits électriques internes	Déconnecter tous les circuits d'alimentation pendant quelques secondes puis tenter de réexécuter une commande; si l'état persiste, il pourrait y avoir une panne grave de la carte électronique ou dans le câblage du moteur. Effectuer les contrôles et procéder aux éventuels remplacements.

7.7.2) Signalisations sur la logique de commande

Dans la logique de TEN il y a une série de LED qui peuvent donner chacune des signalisations particulières aussi bien durant le fonctionnement normal qu'en cas d'anomalie (figure 41).



41

Tableau 25: LED sur les bornes de la logique de commande

LED OK	Cause	ACTION
Éteinte	Anomalie	Vérifier si la tension arrive; vérifier si les fusibles sont intervenus; si c'est le cas, vérifier la cause de la panne puis les remplacer par des fusibles ayant les mêmes caractéristiques.
Allumée	Anomalie grave	Il y a une anomalie grave; essayer d'éteindre la logique de commande pendant quelques secondes; si l'état persiste, il y a une panne et il faut remplacer la carte électronique.
Un clignotement par seconde	Tout est OK.	Fonctionnement normal de la logique de commande
2 clignotements rapides	Il y a eu une variation de l'état des entrées.	C'est normal quand il y a un changement de l'une des entrées: PP, STOP, intervention des photocellules ou quand on utilise l'émetteur radio.
Série de clignotements séparés par une pause d'une seconde	Diverses	C'est la même signalisation que celle du clignotant. Voir le tableau 23.
LED STOP	Cause	ACTION
Éteinte	Intervention de l'entrée STOP	Vérifier les dispositifs connectés à l'entrée STOP.
Allumée	Tout est OK	Entrée STOP active

Tableau 26: LED sur les touches de la logique de commande

LED L1	Description
Éteinte	Durant le fonctionnement normal, elle indique que la "vitesse de fermeture" est lente.
Allumée	Durant les 15 premières secondes qui suivent la mise sous tension, elle indique que la phase de mémorisation de l'émetteur est en cours. Durant le fonctionnement normal, elle indique que la "vitesse de fermeture" est rapide.
Clignote	<ul style="list-style-type: none"> • Programmation des fonctions en cours • Effacement ou diagnostic des émetteurs radio
LED L2	Description
Éteinte	Durant le fonctionnement normal, elle indique que la "vitesse d'ouverture" est lente.
Allumée	Durant le fonctionnement normal, elle indique que la "vitesse d'ouverture" est rapide.
Clignote	<ul style="list-style-type: none"> • Programmation des fonctions en cours • Si elle clignote en même temps que L3 cela signifie qu'il faut effectuer la reconnaissance des positions d'ouverture et de fermeture de la porte (voir paragraphe 4.3 "Reconnaissance des positions d'ouverture et de fermeture de la porte").
LED L3	Description
Éteinte	Durant le fonctionnement normal, elle indique que la fonction de "fermeture automatique" n'est pas activée.
Allumée	Durant le fonctionnement normal, elle indique que la fonction de "fermeture automatique" est activée.
Clignote	<ul style="list-style-type: none"> • Programmation des fonctions en cours • Si elle clignote en même temps que L2, cela signifie qu'il faut effectuer la reconnaissance des positions d'ouverture et de fermeture de la porte (voir paragraphe 4.3 "Reconnaissance des positions d'ouverture et de fermeture de la porte").

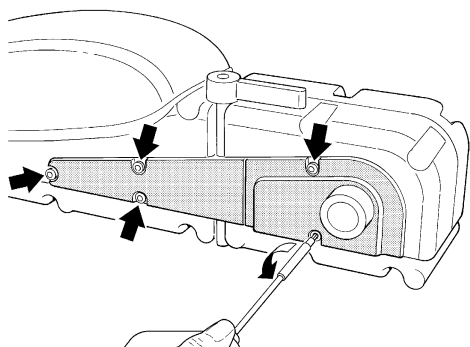
F

7.8) Accessoires

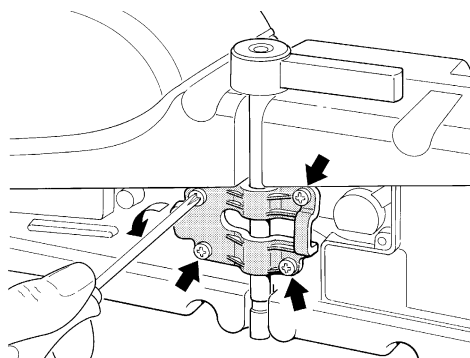
TEN est disponible avec les accessoires suivants. Consulter le catalogue des produits Nice S.p.a. pour la liste complète et à jour des accessoires..

- TNA** Logique de commande de recharge pour TN2030 et TNKCE
- OTA2** Patte de support moteur de 520 mm de longueur
- OTA3** Patte de support moteur de 2 000 mm de longueur
- TNA4** Paire d'arbres de transmission de 1 500 mm de longueur
- TNA5** Paire de bras droits télescopiques standard
- TNA6** Paire de bras courbes télescopiques standard
- TNA8** Paire d'arbres de transmission de 200 mm de longueur
- OTA11** Kit pour le débrayage de l'extérieur avec câble métallique
- OTA12** Kit pour le débrayage de l'extérieur avec loquet à clé
- TNA38** Dispositif de renvoi pour 1 paire d'arbres de transmission
- TS** Tableau de signalisation

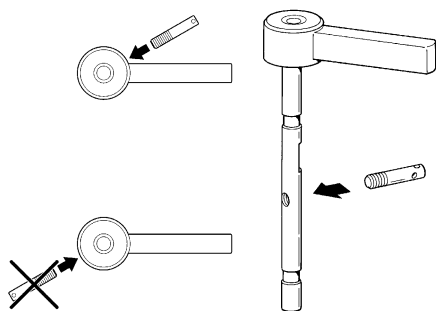
7.8.1) Prémontage pour OTA11



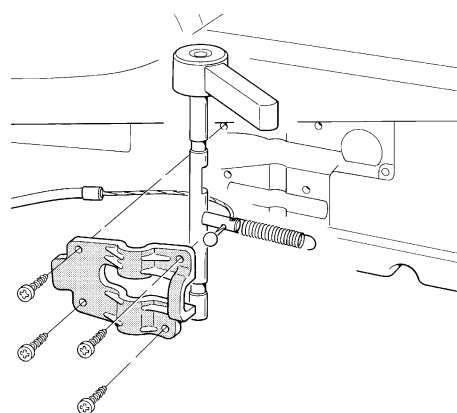
42 Dévisser les vis et enlever les couvercles latéraux.



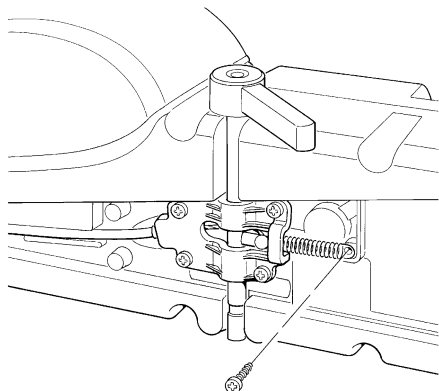
43 Dévisser les vis et enlever le collier.



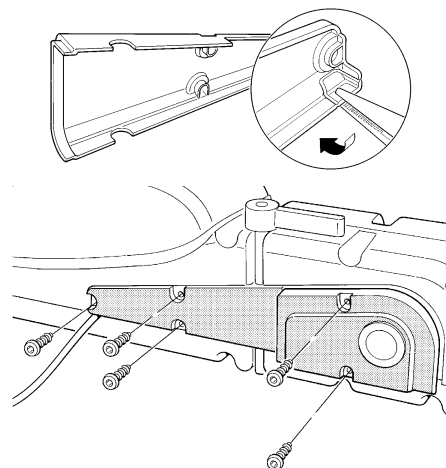
44 Visser le pivot fourni en faisant attention à la position par rapport à la poignée.



45 Enfiler le câble et le ressort, comme cela est indiqué.



46 Fixer le ressort avec la vis fournie 4,2 x 13, revisser le collier et enfin placer la gaine.



47 Retirer la partie prédécoupée présente sur le couvercle et refermer le tout en faisant attention à ne pas écraser le joint.

8) Caractéristiques techniques

Dans le but d'améliorer ses produits, Nice S.p.a. se réserve le droit de modifier les caractéristiques techniques à tout moment et sans préavis, en garantissant dans tous les cas le bon fonctionnement et le type d'application prévus.

N.B.: toutes les caractéristiques techniques se réfèrent à une température de 20 °C (± 5 °C).

Caractéristiques techniques: TEN					
Modèle type	TN2020	TN2030	TNKCE	TN2030+TN2020	
Typologie	/	Opérateur électromécanique pour le mouvement automatique de portes basculantes débordantes et non débordantes à usage résidentiel avec logique électronique de commande incorporée.			
Couple maximum au démarrage	320 Nm	320 Nm	280 Nm	420 Nm	
Couple nominal	220 Nm	220 Nm	200 Nm	280 Nm	
Vitesse à vide	1.4 (24Vcc)	1,7 tr/min; la logique de commande permet de programmer 2 vitesses, soit: 1 tr/min ou 1,7 tr/min.			
Vitesse au couple nominal	0.9 (24Vcc)	1.2rpm			
Fréquence maximum des cycles de fonctionnement (la logique limite les cycles au maximum prévu dans les tableaux 3 et 4) *	25 cycles/heure	20 cycles/heure	15 cycles/heure	10 cycles/heure	
Temps maximum de fonctionnement continu (la logique limite le fonctionnement continu au maximum prévu dans les tableaux 3 et 4) **	14 minutes	11 minutes	10 minutes	8 minutes	
Limites d'application	Généralement TEN est en mesure d'automatiser des portes équilibrées d'une surface jusqu'à 8m ² avec 1 moteur et jusqu'à 14m ² avec 2 moteurs, selon les limites prévues dans le tableau 2.				
Durabilité	Estimée entre 10.000 cycles et 50.000 cycles, suivant les conditions indiquées dans le tableau 5				
Alimentation TEN	24 Vcc (-30% +50%)	230Vac (-10% +15%) 50/60Hz.			
Alimentation TEN/V1		120Vac (-10% +15%) 50/60Hz.			
Puissance maximum absorbée avec 1 moteur	130 W (5.5A)	220 W (1A)	200 W (0.9A)	330 W (1.4A)	
Puissance maximum absorbée avec 2 moteurs					
Classe d'isolement	III	I	I	I	
Alimentation avec batteries tampon	non				
Éclairage automatique	12 V/10 W culot BA15S				
Sortie clignotant	/	Pour 1 clignotant LUCYB, MLB ou MLBT (ampoule 12V, 21W)			
Sortie photo-test/serrure électrique	/	24Vac /2W			
Entrée STOP	/	Pour contacts normalement fermés, normalement ouverts ou à résistance constante 8,2 kilohms; en autoapprentissage (une variation par rapport à l'état mémorisé provoque la commande "STOP").			
Entrée PP	/	Pour contacts normalement ouverts (la fermeture du contact provoque la commande P.P.).			
Entrée ANTENNE radio	/	52 ohms pour câble type RG58 ou similaires			
Récepteur radio	/	Incorporé			
Fonctions programmables	/	3 fonctions de type ON-OFF et 3 fonctions réglables (voir tableaux 15 et 17)			
Fonctions en auto-apprentissage	/	Autoapprentissage du type de dispositif de "STOP" (contact NO, NF ou résistance 8,2 kilohms).Autoapprentissage des positions d'ouverture et de fermeture de la porte et calcul des points de ralentissement et ouverture partielle.			
Température de fonctionnement		-20°C ÷ 50°C			
Utilisation dans une atmosphère particulièrement acide ou saline ou bien potentiellement explosive		Non			
Indice de protection		IP 44			
Dimensions et poids		512 x 150 h 158			
Poids	7.2 Kg	9.5 Kg	15.5 Kg		
		TN2020	TN2030	TNKCE	TN2030+TN2020
* À 50°C la fréquence maximale de fonctionnement est (cycles/heure):		"6"	"4"	"4"	"3"
** À 50°C, le temps maximum de fonctionnement continu est (minutes):		"6"	"5"	"5"	"4"

Caractéristiques techniques	récepteur radio incorporé
Typologie	Récepteur à 4 canaux pour radiocommande incorporé
Fréquence	433.92MHz
Codage	Numérique à code fixe à 12 bits, type FLO Numérique à code variable à 52 bits, type FLOR Numérique à code variable à 64 bits, type SMILO
Compatibilité émetteurs (1)	A) FLO, VERY VE B) FLOR, VERY VR; solo gruppo singolo: ERGO, PLANO, PLANOTIME, NICEWAY (toute la ligne) C) SMILO
Émetteurs mémorisables	Jusqu'à 160 s'ils sont mémorisés en mode I
Impédance d'entrée	52Ω
Sensibilité	supérieure à 0.5μV
Portée des émetteurs	Jusqu'à 150 m en champ libre; jusqu'à 35 m à l'intérieur des bâtiments. Cette distance peut varier considérablement en présence d'obstacles et de perturbations électromagnétiques éventuellement présents et elle est influencée par la position de l'antenne réceptrice.
Sorties	Pour commandes conformément aux tableaux 8 et 9.
Température de fonctionnement	-20°C ÷ 55°C

Note 1: le premier émetteur mémorisé détermine aussi la typologie de ceux qui pourront être mémorisés par la suite.

Caractéristiques techniques	émetteur: FLO2	émetteur: FLO2R-S	émetteur: SM2
Typologie	Émetteur à 2 canaux pour radiocommande		
Fréquence	433.92MHz		
Codage	Numérique à code fixe à 12 bits, type FLO	Numérique à code variable à 52 bits, type FLOR	Numérique à code variable à 64 bits, type SMILO
Touches	2		
Alimentation	12 Vcc avec pile type 23 A		
Absorption	25mA		
Durée de la pile	1 an, estimée sur une base de 20 commandes/jour d'une durée de 1 s à 20 °C (à basse température, l'efficacité de la pile diminue)		
Puissance rayonnée	100μW		
Dimensions et poids	72 x 40 h 18mm / 30g	72 x 40 h 18mm / 30g	Diamètre 48 h14mm / 19g
Indice de protection	IP 40 (utilisation dans les habitations ou dans des locaux protégés)		
Température de fonctionnement	-40°C ÷ 85°C		

Instructions et avertissements destinés à l'utilisateur de l'opérateur TEN

Ces instructions peuvent compléter les "Instructions et avertissements pour l'utilisation de l'automatisme" que l'installateur doit remettre au propriétaire de l'automatisme et doivent dans tous les cas être complétées par celles-ci.

Félicitations Félicitations pour avoir choisi un produit Nice pour votre automatisation! Nice S.p.A. produit des composants pour l'automatisme de portails, portes, rideaux métalliques, volets roulants et stores: opérateurs, logiques de commande, radiocommandes, clignotants, photocellules et accessoires. Nice n'utilise que des matériaux et des usinages de qualité et par vocation, elle recherche des solutions innovantes qui simplifient au maximum l'utilisation de ses appareils, très soignés sur le plan de la technique, de l'esthétique et de l'ergonomie: dans la vaste gamme Nice, votre installateur aura choisi sans aucun doute le produit le plus adapté à vos exigences. Nice n'est toutefois pas le producteur de votre automatisme qui est en effet le résultat d'un travail d'analyse, évaluation, choix des matériaux et réalisation de l'installation, exécuté par votre installateur de confiance. Chaque automatisme est unique et seul votre installateur possède l'expérience et la compétence professionnelle nécessaires pour réaliser une installation répondant à vos exigences, sûre et fiable dans le temps et surtout, exécutée dans les règles de l'art et conforme par conséquent aux normes en vigueur. Une installation d'automatisation est une belle commodité ainsi qu'un système de sécurité valable; avec quelques attentions très simples, elle est destinée à durer dans le temps. Même si l'automatisme en votre possession satisfait le niveau de sécurité requis par les normes, cela n'exclut pas la persistance d'un "risque résiduel", c'est-à-dire la possibilité de situations de danger dues généralement à une utilisation inconsciente, voire erronée. C'est la raison pour laquelle nous désirons vous donner quelques conseils sur les comportements à adopter pour éviter tout inconvénient:

- **Avant d'utiliser pour la première fois l'automatisme**, faites-vous expliquer par l'installateur l'origine des risques résiduels et consacrez quelques minutes à la lecture du manuel **d'instructions et d'avertissements pour l'utilisateur** qui vous est remis par l'installateur. Conservez le manuel pour pouvoir le consulter pour n'importe quel doute futur et remettez-le à tout nouveau propriétaire de l'automatisme.
- **Votre automatisme est un équipement qui exécute fidèlement vos commandes;** une utilisation inconsciente et incorrecte peut le rendre dangereux: ne commandez pas le mouvement de l'automatisme si des personnes, des animaux ou des objets se trouvent dans son rayon d'action.
- **Enfants:** une installation d'automatisation garantit un degré de sécurité élevé en empêchant avec ses systèmes de détection le mouvement en présence de personnes ou d'objets et en garantissant une activation toujours prévisible et sûre. Il est prudent toutefois d'éviter de laisser jouer les enfants à proximité de l'automatisme et pour éviter les activations involontaires, de ne pas laisser à leur portée les émetteurs qui commandent la manœuvre: **ce n'est pas un jeu!**
- **Anomalies:** si vous notez une anomalie quelconque dans le fonctionnement de l'automatisme, coupez l'alimentation électrique de l'installation et procédez au débrayage manuel. Ne tentez jamais de le réparer vous-même mais demandez l'intervention de votre installateur de confiance: dans l'intervalle, l'installation peut fonctionner comme un système non automatisé, après avoir débrayé l'opérateur suivant les indications données plus loin.
- **Maintenance:** comme toutes les machines, votre automatisme a besoin d'une maintenance périodique pour pouvoir fonctionner le plus longtemps possible et en toute sécurité. Établissez avec votre installateur un plan de maintenance périodique programmée; Nice conseille une intervention tous les 6 mois pour une utilisation domestique normale mais celle-ci peut varier en fonction de l'intensité d'utilisation. Toute intervention de contrôle, maintenance ou réparation doit être exécutée exclusivement par du personnel qualifié.
- Même si vous estimez en être capable, ne modifiez pas l'installation et les paramètres de programmation et de réglage de l'automatisme: la responsabilité en incombe à votre installateur.
- L'essai de fonctionnement final, les maintenances périodiques et les éventuelles réparations doivent être documentés par la personne qui s'en charge et les documents doivent être conservés par le propriétaire de l'installation.

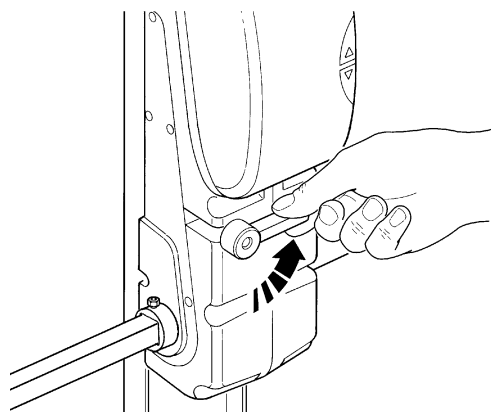
Les seules interventions: que l'utilisateur peut et doit effectuer périodiquement sont le nettoyage des verres des photocellules et l'élimination des feuilles et des cailloux qui pourraient bloquer l'automatisme. Pour empêcher que quelqu'un puisse actionner la porte, avant de continuer, n'oubliez pas de **débrayer l'automatisme** (comme nous l'avons décrit) et d'utiliser pour le nettoyage uniquement un chiffon légèrement imbibé d'eau.

- **Mise au rebut:** À la fin de la vie de l'automatisme, assurez-vous que le démantèlement est effectué par du personnel qualifié et que les matériaux sont recyclés ou mis au rebut en respectant les normes locales en vigueur.

- **En cas de ruptures ou absence d'alimentation électrique:** En attendant l'intervention de votre installateur (ou le retour du courant si l'installation est dépourvue de batterie tampon), l'installation peut être actionnée comme n'importe quel autre système non automatisé. Pour cela, il faut effectuer le débrayage manuel: cette opération, qui est la seule pouvant être effectuée par l'utilisateur de l'automatisme, a fait l'objet d'une étude particulière de la part de Nice pour vous assurer toujours une utilisation extrêmement simple et aisée, sans aucun outil ou effort physique.

Débrayage et mouvement manuel: avant d'effectuer cette opération, faire attention au fait que le débrayage ne peut avoir lieu que lorsque la porte est arrêtée.

Pour débrayer, tourner la poignée dans le sens antihoraire et déplacer manuellement le tablier (figure 48).



48

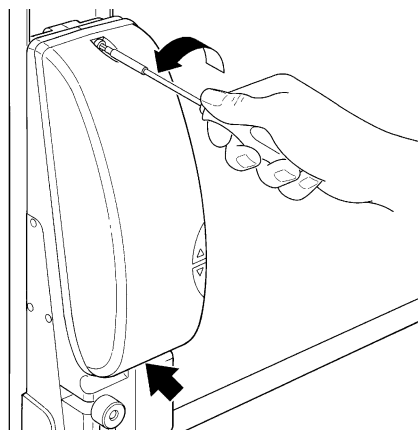
Commande avec les sécurités hors service: si les dispositifs de sécurité ne fonctionnent pas correctement ou sont hors service, il est quand même possible de commander la porte.

- Actionner la commande de la porte (avec l'émetteur, le sélecteur à clé, etc.): si tout fonctionne bien, la porte s'ouvrira ou se fermera normalement; sinon le clignotant émettra quelques clignotements mais la manœuvre ne démarrera pas (le nombre de clignotements dépend du motif pour lequel la manœuvre ne démarre pas);
- Dans ce cas, dans les trois secondes qui suivent, il faut **actionner** de nouveau la commande et **maintenir l'action** sur la commande;
- Au bout d'environ 2 s, le mouvement de la porte commencera en mode "à action maintenue": tant que la commande est maintenue, la porte continue sa course; dès que la commande est interrompue, la porte s'arrête.

Avec les dispositifs de sécurité hors service, il faut faire réparer au plus tôt l'automatisme.

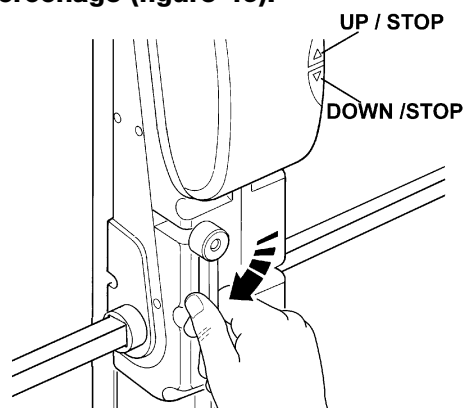
Remplacer l'ampoule: avant d'effectuer cette opération, mettre TEN hors tension.

1. Ouvrir le couvercle en dévissant les vis comme l'indique la figure 50.



50

Pour le réenclencher, remettre la poignée en position verticale en la tournant dans le sens horaire puis agir manuellement sur le tablier jusqu'à l'accrochage (figure 49).

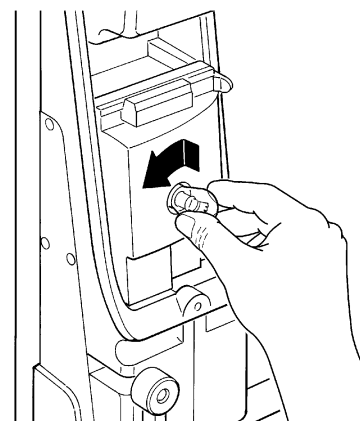


49

Remplacement de la pile de l'émetteur: si votre installation est munie d'une radiocommande qui au bout d'une certaine période présente des problèmes de fonctionnement ou ne fonctionne plus du tout, cela pourrait dépendre tout simplement du fait que la pile est usagée (suivant l'intensité d'utilisation, il peut s'écouler plusieurs mois jusqu'à plus d'un an). Vous pouvez vérifier cet état de choses si le voyant de confirmation de la transmission est faible, s'il ne s'allume plus du tout ou s'il ne s'allume qu'un bref instant. Avant de vous adresser à l'installateur, essayez de remplacer la pile en utilisant celle d'un autre émetteur qui fonctionne encore: si cette intervention remédie au problème, il vous suffit de remplacer la pile usagée par une neuve du même type.

Attention: les piles contiennent des substances polluantes: ne pas les jeter à la poubelle mais suivre les règles de tri sélectif prévues par les réglementations locales.

2. Dévisser l'ampoule et la remplacer par une ampoule neuve de 12 V/10 W culot BA15S (figure 51).



51

Êtes-vous satisfait? Si vous souhaitez équiper votre maison d'un nouvel automatisme, adressez-vous au même installateur et à Nice. Vous serez sûr de bénéficier ainsi, en plus du conseil d'un spécialiste et des produits les plus évolués du marché, également du meilleur fonctionnement et de la compatibilité parfaite des différents automatismes installés. Nous vous remercions d'avoir lu ces recommandations et nous espérons que votre nouvelle installation vous donnera entière satisfaction: pour tout besoin présent ou futur, adressez-vous en toute confiance à votre installateur.

Ten

Inhaltsverzeichnis

S.

1	Hinweise	87	7	Weitere Auskünfte	100
2	Produktbeschreibung und Einsatz	88	7.1	Programmierungstasten	100
2.1	Einsatzgrenzen	88	7.2	Programmierungen	100
2.2	Überprüfung der Bestandteile des Produktes	89	7.2.1	Funktionen des ersten Niveaus (ON-OFF-Funktionen)	100
2.3	Typische Anlage	90	7.2.2	Erstes Niveau - Programmierungen (ON-OFF-Funktionen)	101
2.4	Kabelliste	90	7.2.3	Funktionen des zweiten Niveaus (einstellbare Parameter)	101
3	Installation	91	7.2.4	Zweites Niveau - Programmierungen (einstellbare Parameter)	101
3.1	Überprüfungen und Vorbereitungen	91	7.2.5	Erstes Niveau - Programmierungsbeispiel (ON-OFF-Funktionen)	102
3.2	Installation des Antriebs	91	7.2.6	Zweites Niveau: Programmierungsbeispiel (einstellbare Parameter)	102
3.3	Einstellung der Endschalter	94	7.3	Hinzufügen oder Entfernen von Vorrichtungen	102
3.4	Installation der verschiedenen Vorrichtungen	94	7.3.1	Eingang STOPP	103
3.5	Elektrische Anschlüsse	94	7.3.2	Photozellen	103
3.5.1	Beschreibung der elektrischen Anschlüsse	95	7.3.3	Elektroschloss	104
3.5.2	Elektrischer Anschluss des zweiten Antriebs	95	7.3.4	Programmierung der Funktion Fototest / Elektroschloss	104
4	Endprüfungen und Anlassen	95	7.3.5	Deaktivierung der variablen Empfindlichkeit bei der Hinderniswahrnehmung	104
4.1	Auswahl des Anlagentyps	95	7.3.6	Programmierung des Montagesinns von TEN	105
4.2	Anschluss der Versorgung	96	7.4	Sonderfunktionen	105
4.3	Erlernung der Positionen Öffnung und Schließung des Tors	96	7.4.1	Funktion "Öffnet Immer"	105
4.4	Überprüfung der Torbewegung	96	7.4.2	Funktion "Todmann"	105
4.5	Bereits programmierte Funktionen	96	7.5	Verbindung sonstiger Vorrichtungen	105
4.6	Funkempfänger	96	7.6	Probleme und deren Lösungen	106
4.7	Speicherung der Funksender	97	7.7	Diagnose und Anzeigen	106
4.7.1	Speicherung im Modus I	97	7.7.1	Anzeigen durch die Blinkleuchte	106
4.7.2	Speicherung im Modus II	98	7.7.2	Anzeigen durch die Steuerung	107
4.7.3	Speicherung "in der Nähe des Empfängers"	98	7.8	Zubehör	108
4.7.4	Löschen der Funksender	98	7.8.1	Vormontage von OTA11	108
5	Abnahme und Inbetriebsetzung	99	8	Technische Merkmale	109
5.1	Abnahme	99		Anweisungen und Hinweise für den Benutzer des Antriebs TEN	111
5.2	Inbetriebsetzung	99			
6	Wartung und Entsorgung	99			
6.1	Wartung	99			
6.2	Entsorgung	100			

1) Hinweise

Die vorliegenden Anweisungen enthalten wichtige Sicherheitsinformationen für die Installation; vor der Installation alle Anweisungen lesen. Dieses Handbuch auch für die Zukunft sorgfältig aufbewahren.

Unter Berücksichtigung der Gefahren, die bei Installation und Bedienung von TEN auftreten können, muss die Installation für größte Sicherheit unter voller Einhaltung von Gesetzen, Vorschriften und Verordnungen erfolgen. In diesem Kapitel sind Hinweise allgemeiner Art gegeben; weitere wichtige Hinweise befinden sich in den Kapiteln "3.1 Vorprüfungen"; "5 Abnahme und Inbetriebsetzung".

⚠ Nach der neuesten europäischen Gesetzgebung, gehört die Automatisierung einer Tür oder eines Tors zu den Verordnungen der Richtlinie 98/37/EG (Maschinenrichtlinie) und insbesondere zu den Vorschriften: EN 13241-1 (harmonisierte Norm); EN 12445; EN 12453 und EN 12635, die es erlauben, die Konformität mit der Maschinenrichtlinie zu erklären.

Weitere Auskünfte und Hinweise zur Analyse der Risiken und der Realisierung der Technischen Unterlagen stehen im Internet unter "www.niceforyou.com" zur Verfügung. Die vorliegende Anleitung ist nur für technisches Personal bestimmt, das für die Installation qualifiziert ist. Mit Ausnahme der Anlage "Anweisungen und Hinweise für den Benutzer des Toröffners TEN", die der Installateur abtrennen muss, ist keine im vorliegenden Heft enthaltene Information als interessant für den Endbenutzer zu betrachten!

- Ein Gebrauch von TEN, der anders als in diesen Anweisungen vorgesehen ist, ist verboten. Ein unsachgemäßer Gebrauch kann Gefahren und Personen- oder Sachschäden verursachen.
- Vor der Installation ist die Risikoanalyse auszuführen, welche die Liste der wesentlichen Sicherheitsanforderungen, vorgesehen in Anlage I der Maschinenrichtlinie einschließen und die jeweiligen, angewendeten Lösungen angeben muss. Es wird daran erinnert, dass die Risikoanalyse eine der Unterlagen ist, die Bestandteil der "Technischen Dokumentation" der Automatisierung sind.
- Je nach Einsatzbedingungen und vorhandenen Gefahren prüfen, ob weitere Vorrichtungen und Materialien erforderlich sind, um die Automatisierung mit TEN zu vervollständigen; berücksichtigt werden müssen zum Beispiel Aufprallgefahr, Quetsch-, Schnitt- und Mitnahmefahr usw. und sonstige Gefahren allgemein.
- Keine Änderungen an keinem Teil ausführen, falls nicht im vorliegenden Handbuch vorgesehen. Vorgänge dieser Art können nur Betriebsstörungen verursachen. NICE lehnt jegliche Haftung für Schäden aufgrund geänderter Produkte ab.
- Während Installation und Bedienung vermeiden, dass Festteile oder Flüssigkeiten in die Steuerung und sonstige geöffnete Vorrichtungen eindringen können; wenden Sie sich ggf. an den NICE Kundendienst; der Gebrauch von TEN in solchen Situationen kann Gefahren verursachen.
- Der Automatismus darf erst verwendet werden, nachdem die Inbetriebsetzung ausgeführt wurde, wie in Punkt "5 Abnahme und Inbetriebsetzung" vorgesehen.
- Das Verpackungsmaterial von TEN muss unter voller Einhaltung der örtlichen Vorschriften entsorgt werden.
- Wenn ein Defekt mit den im vorliegenden Handbuch gegebenen Infos nicht beseitigt werden kann, wenden Sie sich bitte an den NICE Kundendienst.
- Wenn Automatikschalter oder Sicherungen ausgelöst werden, muss vor ihrer Rückstellung der Defekt festgestellt und beseitigt werden.
- Vor dem Zugriff auf die Klemmen im Deckel von TEN, alle Kreisläufe der Versorgung abtrennen; falls die Abtrennvorrichtung nicht sichtbar ist, ein Schild mit der Aufschrift: "ACHTUNG - WARTUNG IM GANG" anbringen.

Besondere Hinweise über die Eignung dieses Produktes mit Bezugnahme auf die Maschinenrichtlinie 98/37/EG (ex 89/392/EWG):

- Dieses Produkt wird als "Bestandteil einer Maschine" auf den Markt gegeben und daher hergestellt, um in eine Maschine eingegliedert oder mit anderen Maschinen zusammengebaut zu werden, mit dem Zweck, "eine Maschine" gemäß der Richtlinie 98/37/EG nur in Kombination mit anderen Bestandteilen und auf die im vorliegenden Handbuch beschriebenen Arten und Weisen zu realisieren. Wie von der Richtlinie 98/37/EG vorgesehen, wird darauf hingewiesen, dass die Inbetriebsetzung des oben genannten Produktes erst gestattet ist, nachdem die Maschine, in die dieses Produkt eingegliedert ist, als konform mit der Richtlinie 98/37/EG gekennzeichnet und erklärt worden ist.

Besondere Hinweise über die Eignung dieses Produktes mit Bezugnahme auf die Niederspannungsrichtlinie 73/23/EWG und die spätere Änderung 93/68/EWG:

- Dieses Produkt, falls für seinen Zweck eingesetzt und in den in der vorliegenden Anleitung vorgesehenen Konfigurationen und in Kombination mit den von Nice S.p.A. hergestellten Artikeln im Katalog entspricht den Anforderungen der Niederspannungsrichtlinie. Die Übereinstimmung mit den Anforderungen könnte nicht garantiert sein, wenn das Produkt in nicht vorgesehenen Konfigurationen oder mit anderen Produkten benutzt wird; der Gebrauch des Produktes in solchen Situationen ist untersagt, bis der die Installation Ausführende die Übereinstimmung mit den laut Richtlinie vorgesehenen Anforderungen überprüft hat.

Besondere Hinweise über die Eignung dieses Produktes mit Bezugnahme auf die Richtlinie 89/336/EWG "Elektromagnetische Verträglichkeit" und spätere Änderungen 92/31/EWG und 93/68/EWG:

- dieses Produkt in den in der vorliegenden Anleitung vorgesehenen Konfigurationen und in Kombination mit den von Nice S.p.A. hergestellten Artikeln im Katalog wurde unter den schwierigsten Einsatzbedingungen Tests der elektromagnetischen Verträglichkeit unterzogen. Die elektromagnetische Verträglichkeit könnte nicht garantiert sein, wenn das Produkt in nicht vorgesehenen Konfigurationen oder mit anderen Produkten benutzt wird; der Gebrauch des Produktes in solchen Situationen ist untersagt, bis der die Installation Ausführende die Übereinstimmung mit den laut Richtlinie vorgesehenen Anforderungen überprüft hat.

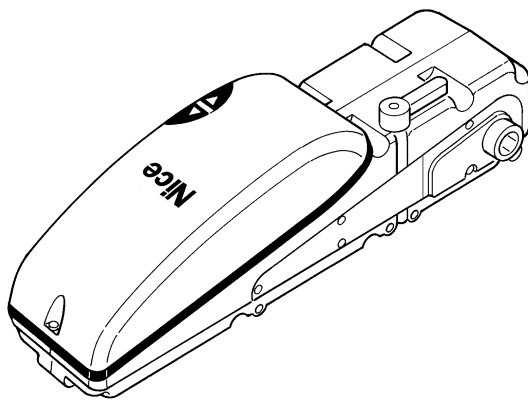
2) Produktbeschreibung und Einsatz

TEN (Abbildung 1) ist ein Antrieb (Tabelle 1: Beschreibung der Bestandteile von TEN) für die Automation von Kipptoren mit Gegengewichten, von Kipptoren mit Federn, die ausfahrend und nicht sowie Gelenktore sein können. TEN erreicht die Laufgrenze (in Öffnung und Schließung) nach einer Verlangsamung. Weiterhin kontrolliert TEN ständig den Kraftaufwand während der Bewegungen und nimmt Ungewöhnliches wie zum Beispiel ein plötzliches Hindernis wahr, das die Torbewegung blockiert; in diesem Fall wird die Automation ein kurzes Stopp, gefolgt von einer kurzen Umkehrung der Bewegung ausführen.

Tabelle 1: Beschreibung der Bestandteile von TEN

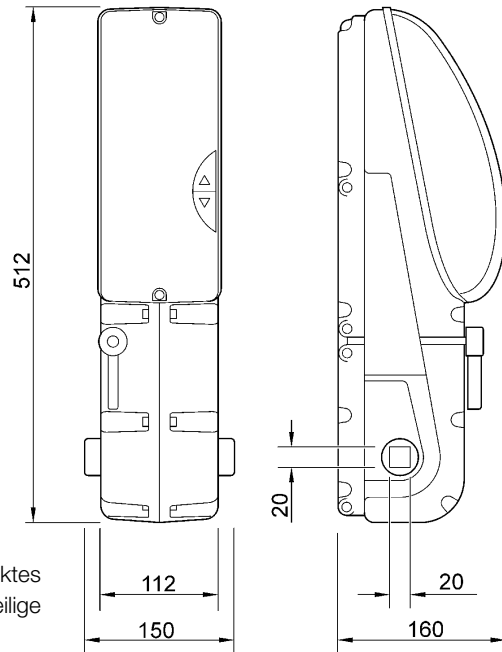
Modell Typ	Beschreibung
TN2020*	Selbsthemmender Antrieb und zusätzliche Beleuchtung. Als "Slave" von TN2010 oder TN2030 zu verwenden.
TN2030	Selbsthemmender Antrieb, Steuerung, mechanischer Endschalter in Öffnung und Schließung und zusätzliche Beleuchtung
TNKCE	Selbsthemmender Antrieb, Steuerung, mechanischer Endschalter in Öffnung und Schließung und zusätzliche Beleuchtung. Lieferbar nur als Kit, geeignet für eine Automatisierung von nur 1 zentralen Antrieb.

* Falls anders verwendet, ist sicher zu stellen, dass die Versorgung von einem Niedrigspannungs-Sicherheitssystem zugeleitet ist, in dem keine Spannungen über dem Niedrigspannungs-Sicherheitswert entstehen.



1

Vor Installationsbeginn muss geprüft werden, ob Bestandteile des Produktes beschädigt sind und ob das gewählte Modell und die Umgebung für die jeweilige Installation geeignet sind.



2.1) Einsatzgrenzen

Die Leistungsdaten von TEN sind in Kapitel "8 Technische Merkmale" angegeben; sie sind die einzigen Werte, die eine korrekte Bewertung der Eignung von TEN ermöglichen. Gewöhnlich können mit TEN Kipptore nach den in Tabelle 2 angegebenen Grenzen automatisiert werden.

Tabelle 2: Einsatzgrenzen der Antriebe TEN

Tortyp	mit 1 Antrieb motorisiert		mit 2 Antrieben motorisiert	
	Max. Höhe 2.6 m	Max. Länge 3 m	Max. Höhe 2.6 m	Max. Länge 5.4 m
Ausfahrendes Kipptor				
Nicht ausfahrendes Kipptor				

Die Maße in Tabelle 2 sind nicht bindend und dienen nur für eine ungefähre Schätzung. Die effektive Eignung von TEN zur Automatisierung eines bestimmten Tors hängt vom Gleichgewichts des Tors, von den Reibungswerten der Führungen und anderen, auch gelegentlichen Behinderungen der Torbewegung ab, wie Windstärke oder Vorhandensein von Eis. Für eine effektive Überprüfung muss die Kraft gemessen werden, die notwendig ist, um das Tor auf der gesamten Lauflänge zu bewegen; dann muss kontrolliert werden, dass dieselbe das "Nenn-drehmoment" nicht überschreitet, das in Kapitel "8 Technische Merkmale" angegeben ist; weiterhin sind die Angaben in den Tabellen 3 und 4 zu berücksichtigen, um die Anzahl an Zyklen/Stunde und die aufeinander folgenden Zyklen festzulegen.

Tabelle 3: Grenzen mit Bezug auf die Kraft, die notwendig ist, um das Tor mit Nr. 1 TNKCE oder TN2030 zu bewegen

Kraft zur Bewegung des Tors (Nm)	max. Zyklen/Stunde			max. aufeinander folgende Zyklen		
	TNKCE	TN2020	TN2030	TNKCE	TN2020	TN2030
Bis zu 120	20	30	25	25	33	27
120÷180	18	28	23	23	31	25
180÷220	15	25	20	20	28	22

Tabelle 4: Grenzen mit Bezug auf die Kraft, die notwendig ist, um das Tor mit Nr. 1 TN2030 + Nr. 1 TN2020 zu bewegen

Kraft zur Bewegung des Tors (Nm)	max. Zyklen/Stunde	max. aufeinander folgende Zyklen
	Bis zu 150	15
150÷250	13	17
250÷350	10	15

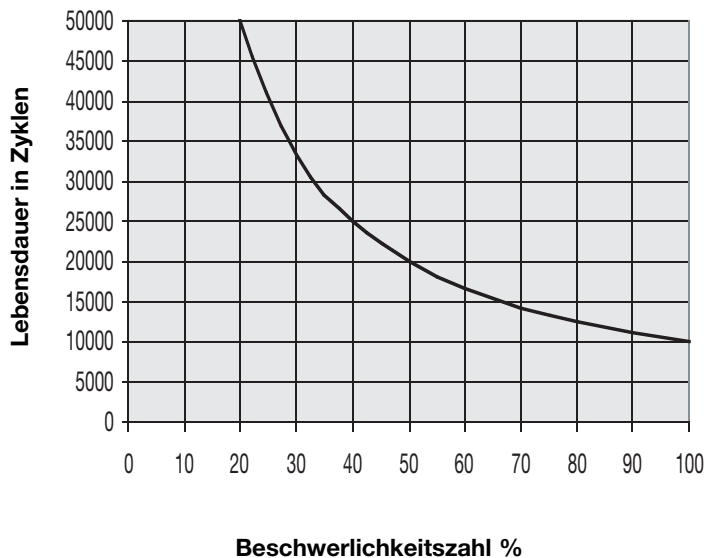
Um Überhitzungen zu vermeiden, sieht die Steuerung einen Begrenzer vor, der sich auf dem Kraftaufwand des Antriebs und der Dauer der Zyklen beruht und bei der Überschreitung der Höchstgrenze anspricht.

In Kapitel "8 Technische Merkmale" ist eine Schätzung der durchschnittlichen Lebensdauer des Produktes angegeben. Dieser Wert wird durch die Beschwerlichkeitszahl (Summe aller Faktoren, die zum Verschleiß beitragen) beeinflusst, mit der die Bewegungen ausgeführt werden. Um diesen Wert zu schätzen, müssen alle Beschwerlichkeitszahlen in Tabelle 5 addiert werden, dann kann die geschätzte Lebensdauer mit dem Gesamtergebnis im Schaubild überprüft werden. Beispiel: TNKCE an einem Tor von 130 kg wendet zur Bewegung dieses Tors eine Kraft von 150Nm an, ist mit Photozellen ausgestattet und hat keine anderen Ermüdungselemente. TNKCE hat eine Beschwerlichkeitszahl von 60% (30+20+10). Aus dem Schaubild ergibt sich eine geschätzte Lebensdauer von 18.000 Zyklen.

Bitte bemerken: die Lebensdauer wird auf der Basis der Projektrechnungen und der Ergebnisse der an Prototypen ausgeführten Tests geschätzt. Es handelt sich um eine Schätzung, die daher für die effektive Dauer des Produktes nicht bindend ist.

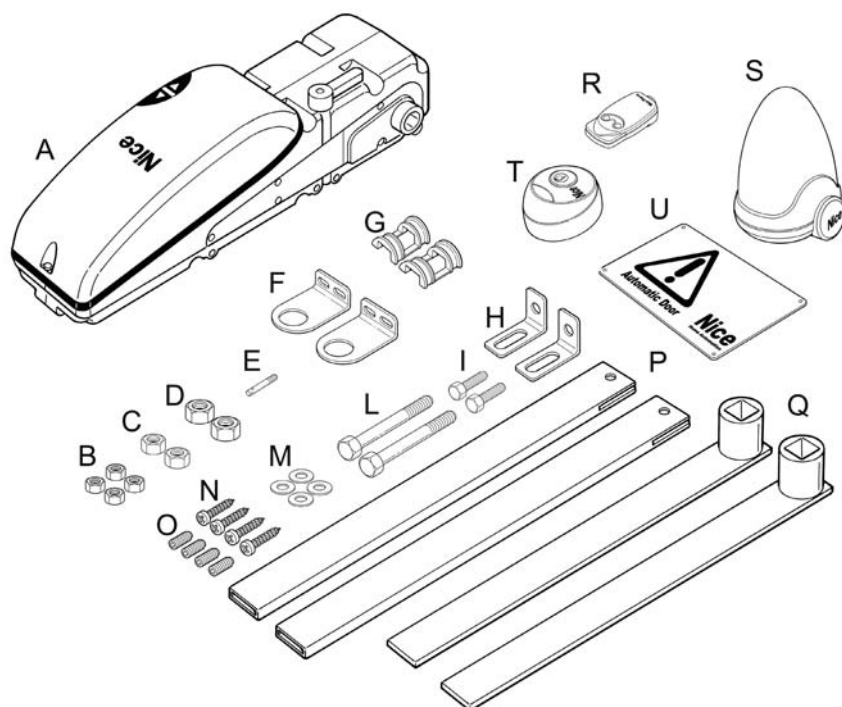
Tabelle 5: Schätzung der Lebensdauer in Abhängigkeit von der Beschwerlichkeitszahl der Bewegungen

Beschwerlichkeitszahl %	TNKCE	TN2030	
	TN2030	TN2020	+
Gewicht des Torflügels (kg)			
Bis zu 70	20	10	
70 ÷ 150	30	20	
150 ÷ 200	40	30	
Über 200	60	50	
Kraft zur Bewegung des Torflügels N			
Bis zu 100	10	5	
100 ÷ 180	20	15	
180 ÷ 220	40	30	
220 ÷ 280	-	50	
Sonstige Ermüdungselemente (zu berücksichtigen, falls die Wahrscheinlichkeit ihres Ereignisses über 10% ist)			
Umgebungstemperatur über 40°C oder unter 0°C oder Feuchtigkeit über 80%	10	10	
Vorhandensein von Staub oder Sand	15	15	
Salzhaltige Umgebung	20	20	
Unterbrechung der Bewegung durch Photozelle	10	10	
Unterbrechung der Bewegung durch Halt	20	20	
Schnelle Geschwindigkeit	15	15	
Beschwerlichkeitszahl insgesamt %:			



2.2) Überprüfung der Bestandteile des Produktes

- Die Verpackung auf Schäden überprüfen;
- **das Produkt auspacken und sicher stellen, dass das unten Beschriebene vorhanden ist (Abbildung 2):**

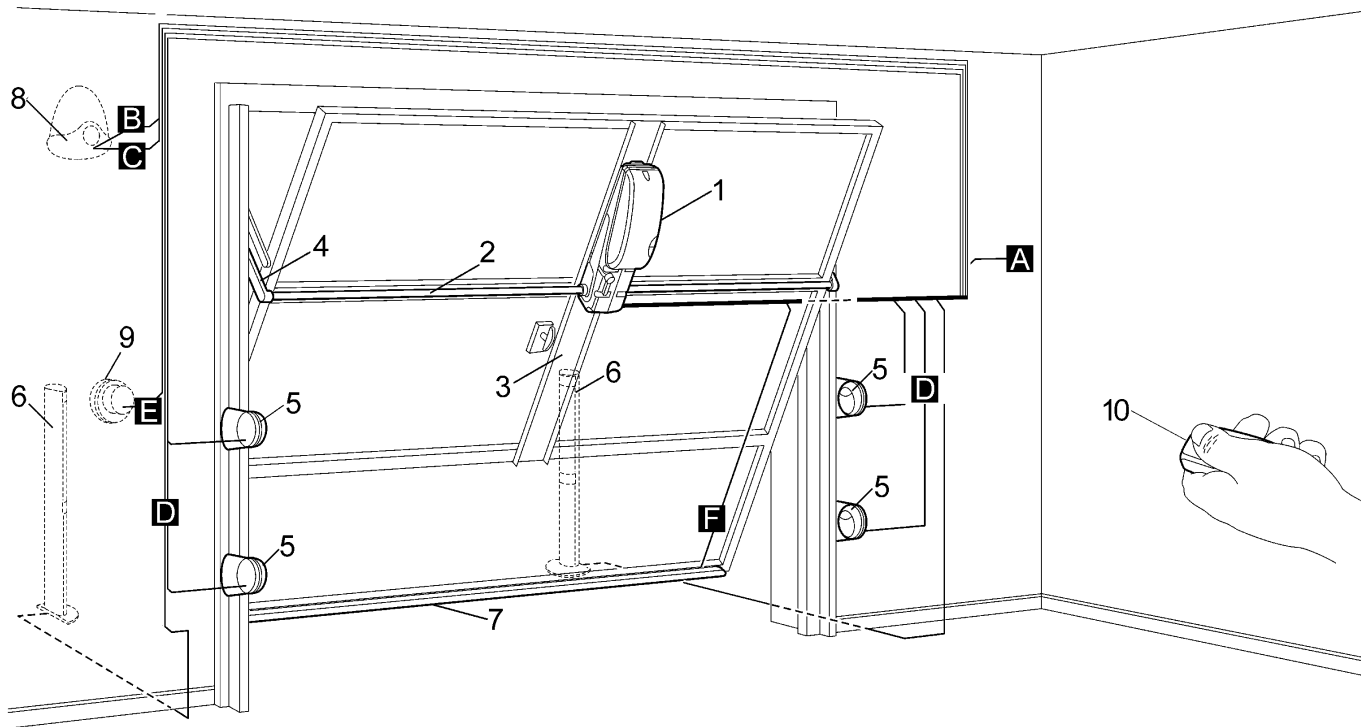


	St. Nr.	TNKCE
A	1	Antrieb TEN
B	4	Muttern M6
C	2	Muttern M8
D	2	Muttern M10
E	1	Entriegelungsstange
F	2	Armtragbügel
G	2	Adapterbuchse
H	2	Oberer Verbindungswinkel
I	2	Schraube M10x30
L	2	Schrauben M8x110
M	4	Unterlegscheiben Ø8
N	4	Selbstschneidende Schrauben 5.3x19
O	4	Gewindestifte M6x14
P	2	Teleskoprohr
Q	2	gerader Arm mit geschweißter Buchse
R	1	Fernbedienung
S	1	Blinkleuchte
T	2	Schlüsseltaster
U	1	Warnschild

	St. Nr.	TN2030	TN2020
A	1	Antrieb TEN	
B	2	Muttern M6	
C	2	Muttern M8	
E	1	Entriegelungsstange	
L	2	Schrauben M8x110	
M	2	Unterlegscheiben Ø8	
O	2	Gewindestifte M6x14	

2.3) Typische Anlage

Die Abbildung 3 zeigt die typische Installation einer Automation für Kipptore mit TEN.



2

- | | |
|------------------------------|--|
| 1 TEN | 8 12V Blinkleuchte mit eingebauter Antenne |
| 2 Vierkantröhr 20x20 | 9 Schlüsseltaster |
| 3 Tragbügel | 10 Funksender |
| 4 Teleskoparm | |
| 5 Photozellen | |
| 6 Photozellen auf Standsäule | |
| 7 Schaltleiste | |

2.4) Kabelliste

In der typischen Anlage in Abbildung 3 sind auch die Kabel angegeben, die zur Verbindung der verschiedenen Vorrichtungen erforderlich sind; in Tabelle Nr. 6 sind die Merkmale der Kabel verzeichnet.

⚠ Die für den Anschluss der verschiedenen Vorrichtungen benutzten Kabel müssen für den auszuführenden Installationsstyp geeignet sein: zum Beispiel wird im Fall einer Innenanwendung ein Kabel des Typs H03VV-F empfohlen.

Tabelle 6: Kabelliste

Anschluss	Kabeltyp	Zulässige Höchstlänge
A - Elektrische Versorgungsleitung	Nr. 1 Kabel (3 x 1,5 mm ²)	30 m (*)
B - Blinkleuchte 12V	Nr. 1 Kabel (2 x 1 mm ²)	20 m
C - Antenne	Nr. 1 abgeschirmtes Kabel (Typ RG58)	20 m (empfohlen: kürzer als 5 m)
D - Photozelle TX	Nr. 1 Kabel (2 x 0,25 mm ²)	20 m
D - Photozelle RX	Nr. 1 Kabel (3 x 0,25 mm ²)	20 m
E - Schlüsseltaster	Nr. 2 Kabel (2 x 0,25 mm ²)	20 m
F - Schaltleiste	Nr. 1 Kabel (2 x 0,25 mm ²)	20 m

Anmerkungen: (*) Falls das Versorgungskabel länger als 30 m ist, muss ein Kabel mit größerem Durchmesser benutzt werden (z.B.: 3 x 2,5 mm²) und eine Sicherterdung in der Nähe der Automatisierung ist erforderlich.

3) Installation

⚠ Die Installation von TEN muss von qualifiziertem Personal unter genauester Beachtung der Gesetze, Vorschriften und Verordnungen und der Angaben in den vorliegenden Anweisungen ausgeführt werden

3.1) Überprüfungen und Vorbereitungen

Vor der Installation von TEN müssen folgende Kontrollen ausgeführt werden:

- Prüfen, dass das gesamte benutzte Material in bestem Zustand, für den Einsatz geeignet und mit den Vorschriften konform ist.
- Prüfen, dass sich Gewicht und Abmessungen des Torflügels innerhalb der Einsatzgrenzen in Kapitel "2.1 Einsatzgrenzen" befinden.
- Durch Vergleich mit den Werten in Kapitel "8 Technische Merkmale" prüfen, dass die statische Reibung (bzw. die zur Bewegung des Torflügels notwendige Kraft) kleiner als die Hälfte des "maximalen Drehmoments" ist, und dass die dynamische Reibung (bzw. die Kraft, die notwendig ist, um den Torflügel in Bewegung zu halten) kleiner als die Hälfte des "Nenn Drehmoments" ist; eine Spanne der Kräfte von 50% wird empfohlen, da schlechte Witterung die Reibungswerte erhöhen kann.
- Prüfen, dass entlang dem gesamten Lauf des Kipptors sowohl in Schließung als auch in Öffnung keine größeren Reibungen vorhanden sind.
- Die Robustheit der mechanischen Anschläge überprüfen und kontrollieren, dass das Tor nicht aus den Führungen austreten kann.
- Das Gleichgewicht des Tors überprüfen: es darf sich nicht bewegen, wenn es in beliebiger Stellung stehen bleibt.
- Prüfen, ob sich die Befestigungsstellen der verschiedenen Vorrichtungen (Photozellen, Tasten, usw...) in stoßgeschützten Bereichen befinden und ob die Oberflächen ausreichend solide sind.
- Je nach Tortyp (ausfahrend oder nicht, Gelenktor) prüfen, ob TEN nach den Maßen in den Abbildungen 5, 6 oder 7 befestigt werden kann.
- Sollte zwischen Tragarm und festem Torteil nicht genügend Freiraum vorhanden sein, muss das Zubehör "gebogene Arme" verwendet werden, um Überschneidungen zu vermeiden.

- Elemente des Automatismus sollten nicht in Wasser oder andere Flüssigkeit getaucht werden.
- Die Bestandteile von TEN nicht in der Nähe starker Wärmequellen oder Flammen halten; diese Aktionen können sie beschädigen und Betriebsstörungen, Brand oder Gefahren verursachen.
- Sollte das Tor eine Eingangstür haben, ist sicher zu stellen, dass diese den normalen Lauf des Tors nicht behindert; ggf. für ein geeignetes Verblockungssystem sorgen.
- Die Steuerung an eine elektrische Versorgungsleitung mit Sicherheitserdung anschließen.
- Die elektrische Versorgungsleitung muss durch eine geeignete magnetothermische Vorrichtung und Differentialschalter geschützt sein. Weiterhin muss eine Abtrennvorrichtung der Stromversorgung (mit Überspannungsklasse III bzw. Abstand zwischen den Kontakten von mindestens 3,5 mm) oder ein gleichwertiges System wie z.B. Steckdose und Stecker vorhanden sein. Sollte sich die Abtrennvorrichtung der Stromversorgung nicht in der Nähe der Automatisierung befinden, muss sie über ein Absperrsystem verfügen, dass vor einem unbeabsichtigten oder nicht genehmigten erneuten Anschluss schützt.

3.2) Installation des Antriebs

Die Montageposition von TEN ist je nach Tortyp und Grenzwerten, angegeben in Kapitel "2.1 Einsatzgrenzen", unterschiedlich.

ANMERKUNG: Für die Installation von 2 Antrieben ist das Verfahren für einen Antrieb zu befolgen; die Installation wie auf Abbildung 14 gezeigt ausführen.

1. Nachdem der Tortyp bestimmt ist, den Tragbügel senkrecht und unter Einhaltung der angegebenen Maße am Tor befestigen (Abbildung 4).
 - 1.1 An ausfahrenden Kipptoren muss sich die Drehachse der Arme 50÷100 mm unter dem Tragarm des Tors befinden (Abbildung 5).
 - 1.2 An nicht ausfahrenden Kipptoren muss sich die Drehachse der Arme genau auf der Achse des Tragarms des Tors befinden (Abbildung 6).
 - 1.3 An Gelenktoren muss sich die Drehachse der Arme 50÷100 mm unter dem Drehgelenk des Tors befinden (Abbildung 7).

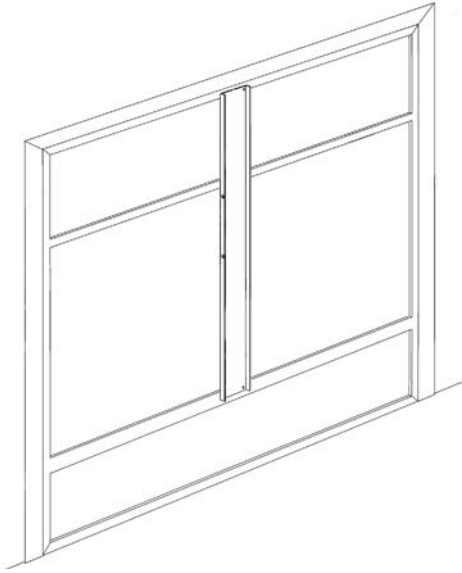
⚠ Wenn TEN umgekippt benutzt wird, muss die Steuerung dementsprechend programmiert werden - siehe hierzu den Par. "7.3.6 Programmierung des Montagesinns von TEN".
2. Den Antrieb mit den dazu vorgesehenen Schrauben am Bügel befestigen.
3. Den Antrieb entriegeln, indem der Griff gegen den Uhrzeigersinn gedreht wird (Abbildung 9).
4. Die seitlichen Tragbügel auf derselben Achse der Drehwelle des Antriebs gut befestigen und die mitgelieferten Adapterbuchsen einfügen (Abbildung 10).

Je nach Freiraum zwischen Tragbügel und festem Torrahmen müssen die geraden oder die gebogenen Arme verwendet werden.

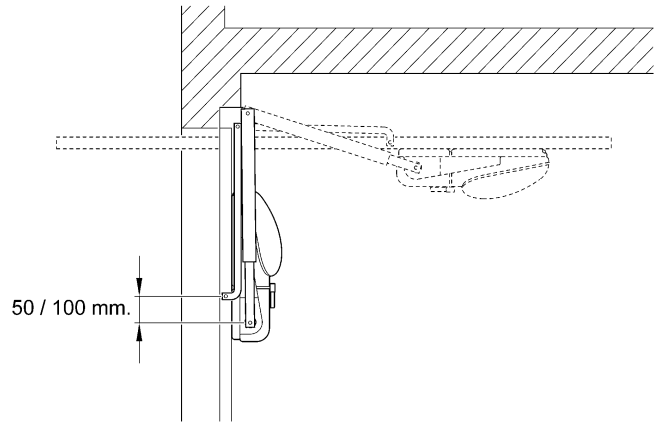
5. Die obere Halterung am Torrahmen befestigen (Abbildung 11): falls bereits vorhanden, dass sie für die Arme, die man benutzen will, geeignet ist. Die Maße in Abbildung 11 sind Richtmaße: sie können je nach Torabmessungen variieren.
6. Das Antriebsrohr in die Buchse des Arms und die Welle des Antriebs stecken; das Rohr nach Maß schneiden. (Abbildung 12)
7. Das Tor ganz öffnen und die Arme nach Maß schneiden; berücksichtigen, dass sie bei geschlossenem Tor mindestens 70 mm geführt sind (Abbildung 13). Sollte die Länge nicht ausreichen, die obere Halterung anders anbringen oder längere Arme wählen.
8. Die Arme in ihre Führungen stecken und prüfen, ob das Tor ohne Klemmen frei gleitet.

Das Gleichgewicht des Tors erneut prüfen: das Tor ist im Gleichgewicht, wenn es sich nicht bewegt, wenn es an einer beliebigen Stelle seines Laufs gestoppt wird. Die Ausgleichssysteme ggf. entsprechend betätigen.

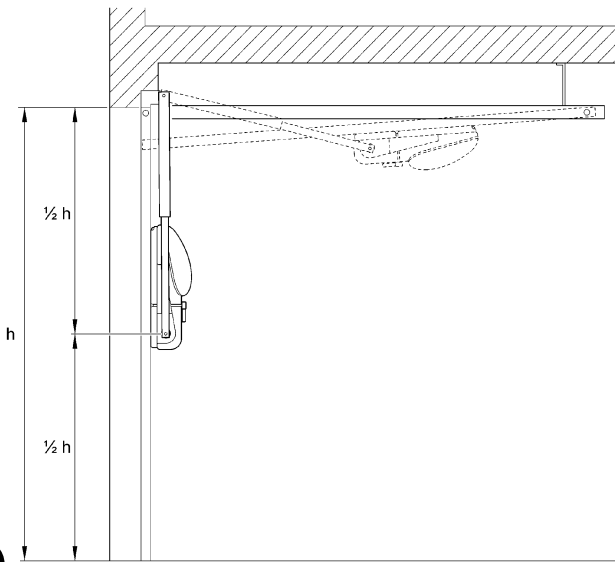
4



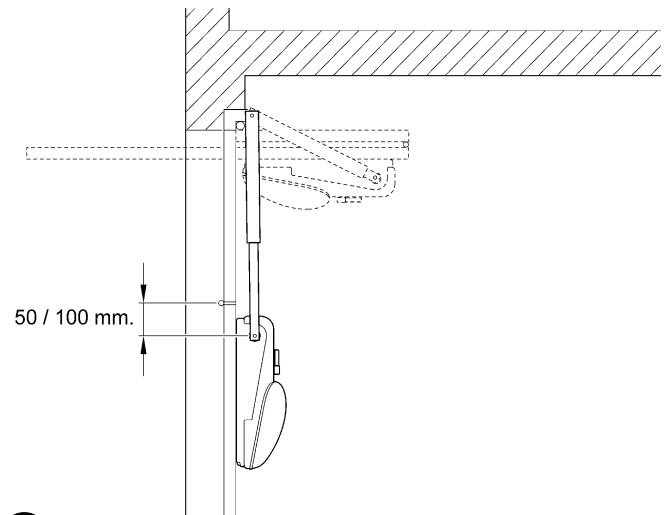
5



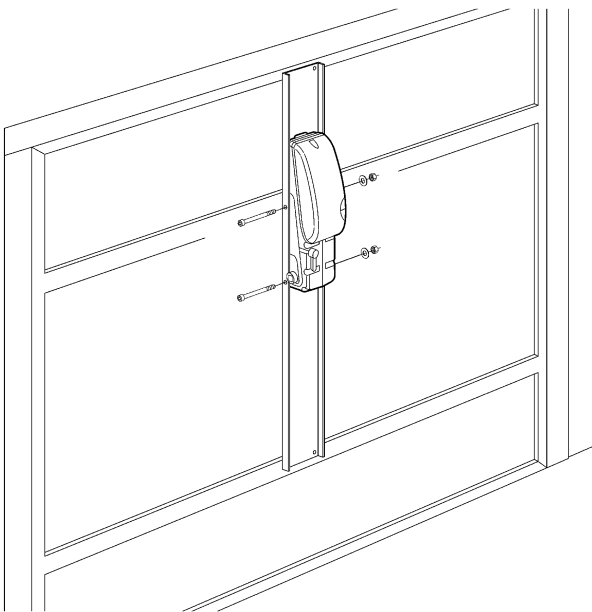
6



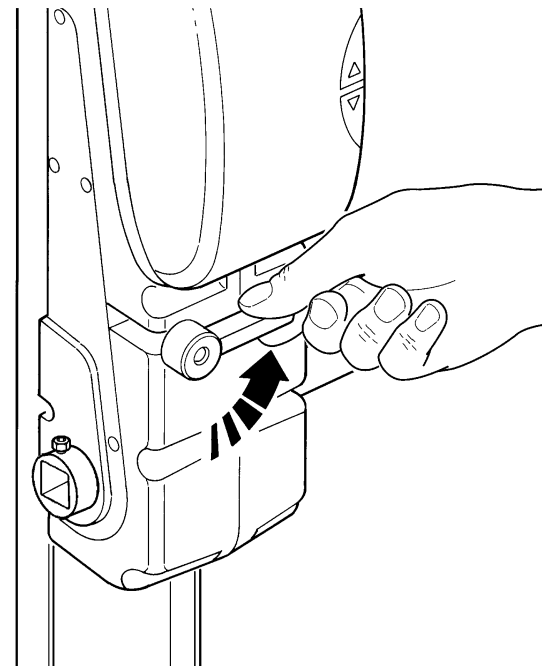
7

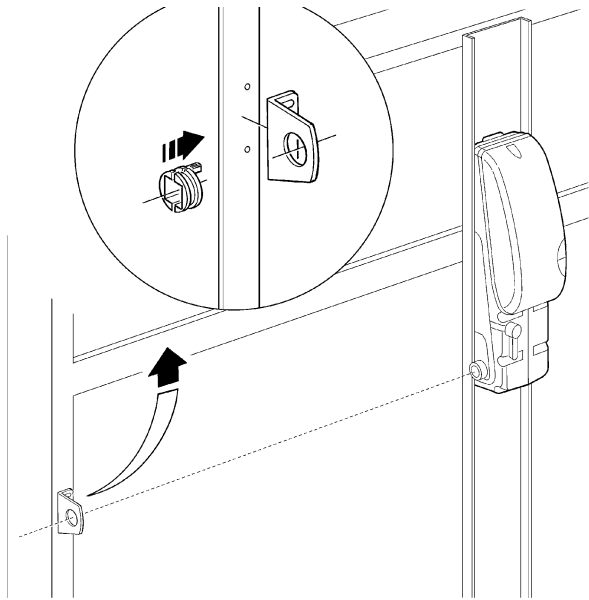


8

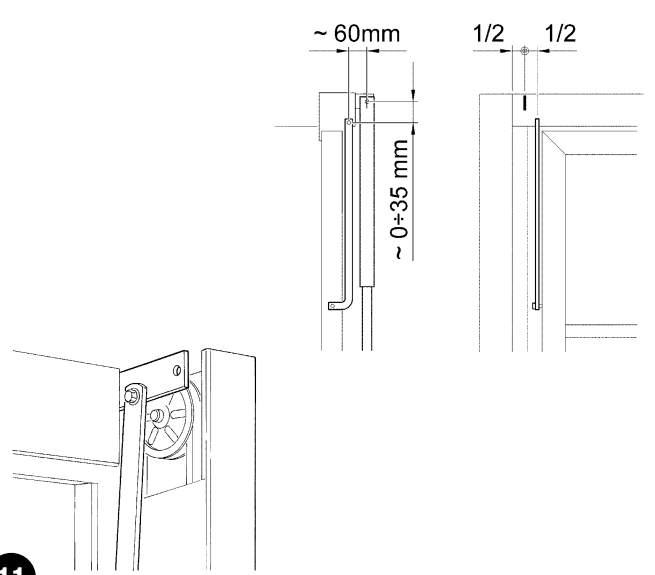


9

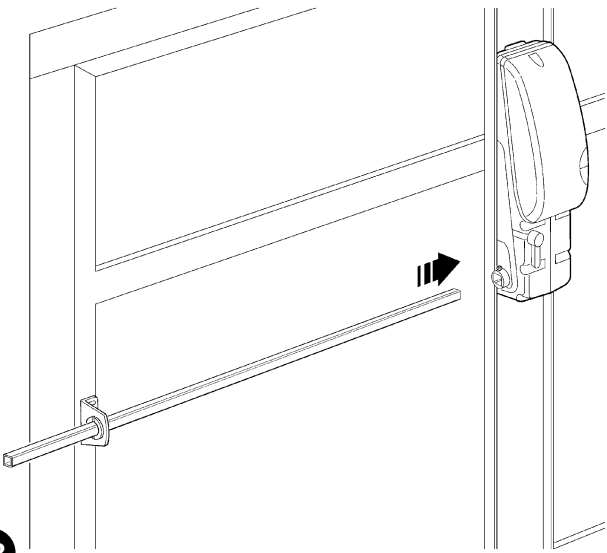




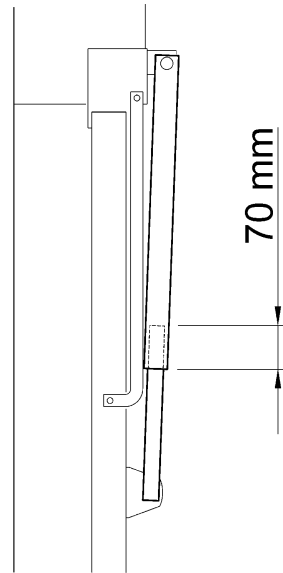
10



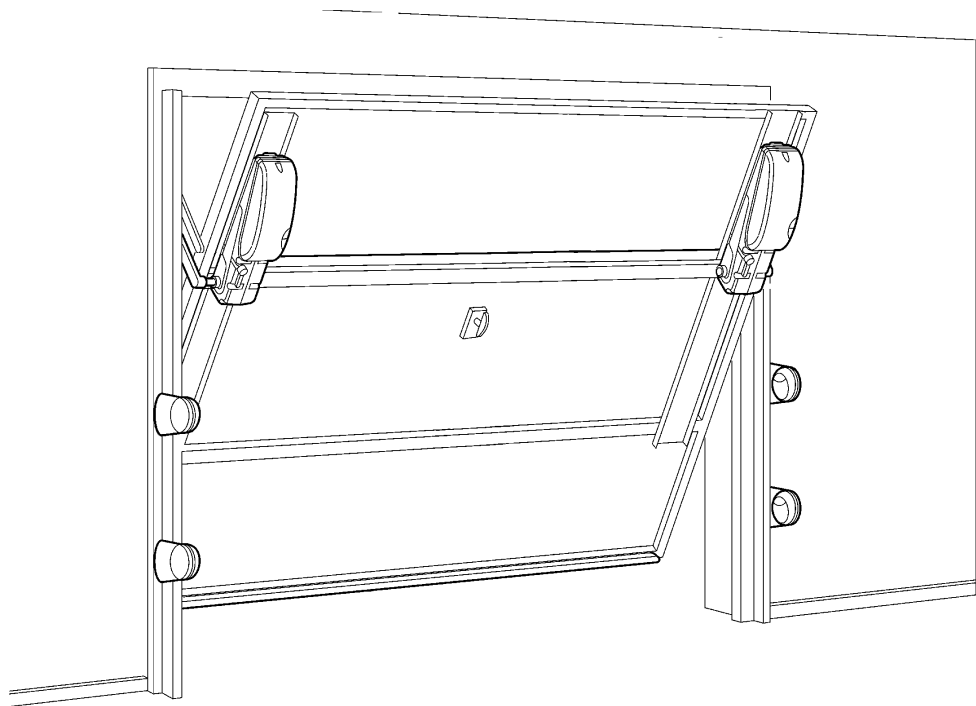
11



12



13



14

D

3.3) Einstellung der Endschalter

Mit entriegeltem Antrieb, wie folgend vorgehen: die Schrauben lösen und das seitliche Gehäuse entfernen (Abbildung 15).

Endschalter in Öffnung: (Abbildung 16)

1. Das Tor ganz öffnen
2. Den Nocken innen gegen den Uhrzeigersinn drehen, bis man ein Klick (Auslösung) des Mikroschalters hört.
3. Die Befestigungsschraube mit einem Inbusschlüssel energisch festziehen

Endschalter in Schließung: (Abbildung 17)

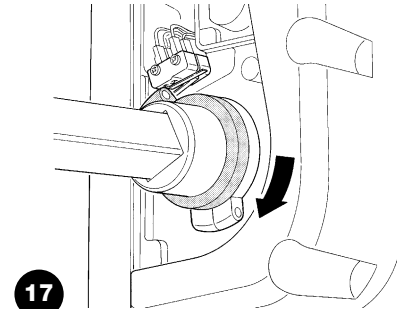
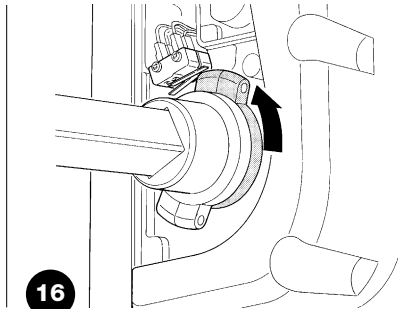
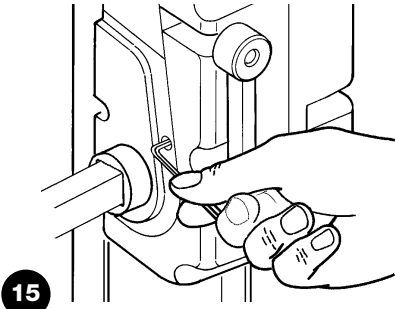
1. Das Tor fast ganz schließen (ca. 2 cm vor dem Anschlag stoppen)

2. Den Nocken außen im Uhrzeigersinn drehen, bis man ein Klick (Auslösung) des Mikroschalters hört.

3. Die Befestigungsschraube mit einem Inbusschlüssel energisch festziehen

⚠ Die Schließbewegung endet nicht nur wegen der Auslösung des Endschalters, sondern aufgrund der Kombination von Endschalter und Anschlag.

Das seitliche Gehäuse wieder schließen, dabei die Position der Kabel und Dichtungen beachten.



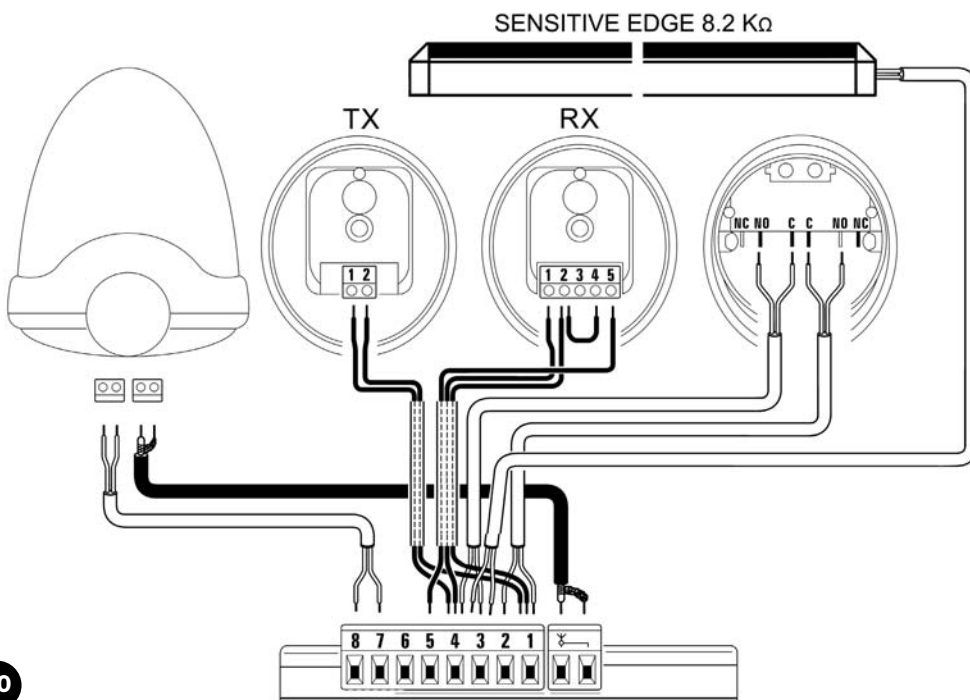
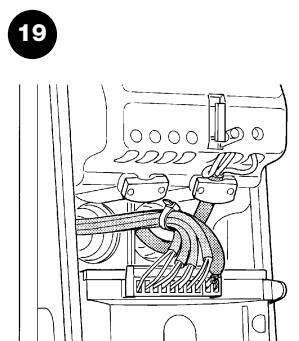
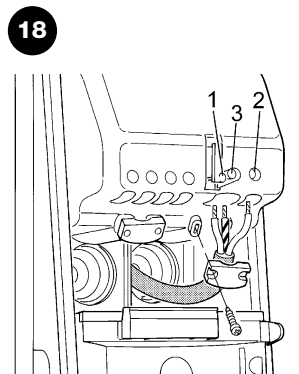
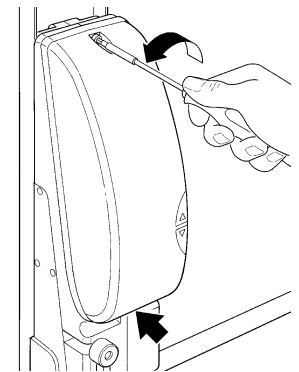
3.4) Installation der verschiedenen Vorrichtungen

Die Installation der anderen vorgesehenen Vorrichtungen nach den jeweiligen Anweisungen ausführen. In Punkt "3.5.1 Beschreibung der elektrischen Anschlüsse" und in Abbildung 20 die Vorrichtungen überprüfen, die an TEN angeschlossen werden können.

3.5) Elektrische Anschlüsse

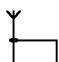
⚠ Alle elektrischen Anschlüsse müssen ohne Spannung zur Anlage ausgeführt werden.

1. Um die elektrischen Anschlüsse auszuführen, müssen die Gehäuseschrauben entfernt werden (Abbildung 18).
2. Die beiden Gummimembranen entfernen, mit denen die Löcher zum Durchführen der Kabel geschlossen sind. Ein Loch in die Membrane schneiden und das Versorgungskabel in die Membrane rechts und das Loch rechts stecken. Ein Loch in die Membrane schneiden und die anderen Kabel zu den verschiedenen Vorrichtungen in die Membrane links und das Loch links stecken. Die Kabel 20-30 cm länger als notwendig lassen. Siehe die Tabelle Nr. 6 für den Kabeltyp.
3. Das Netzstromkabel direkt an den Klemmen 1 (Phase), 2 (Nulleiter) und 3 (Erde) anschließen; das Kabel mit dem Bundring blockieren, wie auf Abbildung 19 gezeigt.
4. Die Anschlüsse der anderen Kabel nach dem Plan in Abbildung 20 ausführen. Der Einfachheit wegen können die Klemmen abgezogen werden.
5. Nachdem die Anschlüsse beendet sind, die Kabel mit Schellen sammeln und befestigen (Abbildung 21).



3.5.1) Beschreibung der elektrischen Anschlüsse

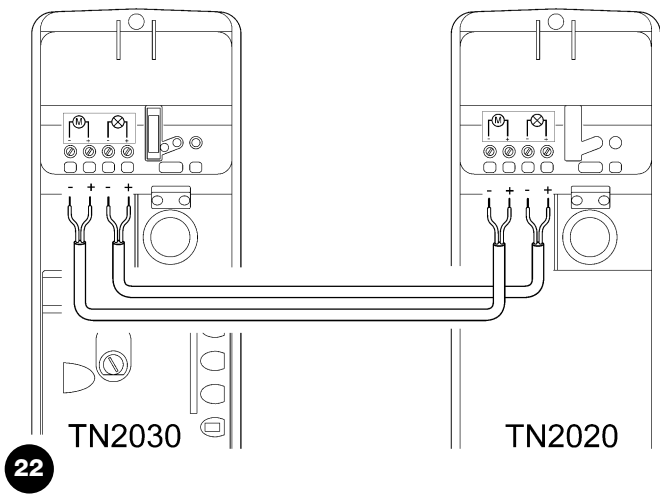
Dieser Paragraph enthält eine kurze Beschreibung der elektrischen Anschlüsse: für weitere Auskünfte siehe auch "7.3 Hinzufügen oder Entfernen von Vorrichtungen".

Nr.	Klemmentyp	Angeschlossene Vorrichtung
	Antenne	Eingang für den Anschluss der Antenne für den Funkempfänger. Die Antenne ist in LUCY B eingebaut, es kann aber auch eine externe Antenne oder das bereits in der Klemme vorhandene Drahtstück als Antenne benutzt werden.
1-2	Schrittbetrieb	Eingang für Vorrichtungen, welche die Bewegung steuern; es können "gewöhnlich geöffnete" NO-Kontakte angeschlossen werden.
3-4	Stopp	Eingang für Vorrichtungen, welche die laufende Bewegung blockieren oder ggf. anhalten; mit entsprechenden Maßnahmen am Eingang können "gewöhnlich geschlossene" NC-Kontakte und "gewöhnlich geöffnete" NO-Kontakte oder Vorrichtungen mit konstantem 8.2KΩ Widerstand angeschlossen werden. Weitere Auskünfte über STOPP sind in Par. "7.3.2 Eingang STOPP" enthalten.
1-5	Foto	Eingang für Sicherheitsvorrichtungen wie Photozellen. Sie lösen in Schließung aus und kehren die Bewegung um. Es können "gewöhnlich geschlossene" NC-Kontakte angeschlossen werden. Weitere Auskünfte über FOTO sind in Punkt "7.3.2 Eingang FOTO" enthalten.
4-6	Fototest oder Elektroschloss	Bei Beginn einer jeden Bewegung werden alle Sicherheitseinrichtungen kontrolliert; die Bewegung beginnt nur, falls der Test erfolgreich war. Dies ist mit einem besonderen Anschluss möglich: die Photozellensender "TX" sind separat von den Photozellenempfängern "RX" gespeist. Weitere Auskünfte über diesen Anschluss befinden sich in "7.3.2 Eingang FOTO". Für die Funktion Elektroschloss siehe den Par. "7.3.3 Elektroschloss".
7-8	Blinkleuchte	An diesem Ausgang kann eine NICE Blinkleuchte "LUCY B" mit 12V 21W Lampe automatischen Typs angeschlossen werden. Während der Bewegung blinkt sie in Abständen von 0,5 Sekunden (0,5 Sek. ein, 0,5 Sek. aus).

3.5.2) Elektrischer Anschluss des zweiten Antriebs

Falls die Anlage 2 Antriebe vorsieht (ein TN2030 und ein TN2020), muss der elektrische Anschluss wie folgend beschrieben am zweiten Antrieb ausgeführt werden.

1. Am Antrieb TN2030 dieselben Anschlüsse wie für die Montage von nur einem Antrieb ausführen.
2. Zwischen der Steuerung des TN2030 und der Klemmleiste des TN2020, die Kabel des zweiten Antriebs und der zusätzlichen Beleuchtung des zweiten Antriebs wie auf Abbildung 22 gezeigt anschließen, dabei die angegebenen Polungen beachten.



4) Endprüfungen und Anlassen

Vor Beginn der Überprüfung und des Anlassens der Automatisierung sollte das Tor auf Laufhälfte verschoben werden, so dass es sich in Öffnung und Schließung frei bewegen kann.

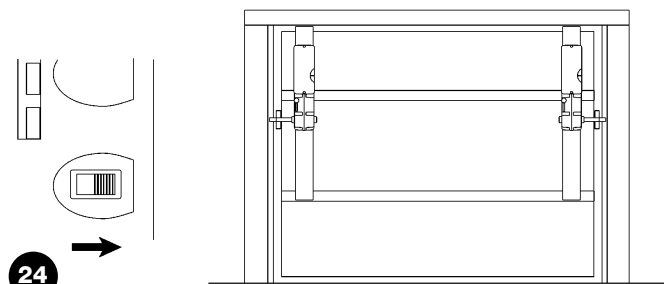
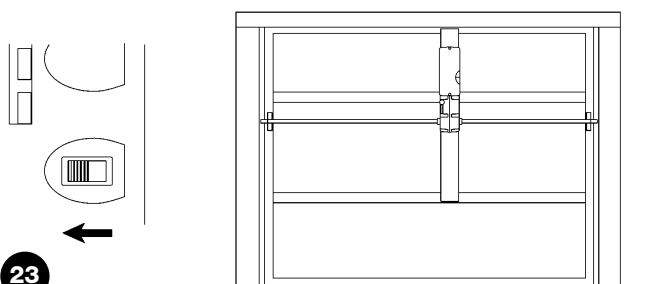
4.1) Auswahl des Anlagentyps

Der Wählschalter an der Steuerung muss je nach Anlagentyp bzw. Montage von 1 oder von 2 Antrieben eingestellt werden.

Falls die Anlage 1 Antrieb hat, den Wählschalter nach links verschieben - siehe Abbildung 23.

Falls die Anlage 2 Antriebe hat, den Wählschalter nach rechts verschieben - siehe Abbildung 24.

⚠ Den Wählschalter nicht auf 2 Antriebe stellen, wenn die Anlage nur 1 Antrieb hat; der Betrieb wird unkorrekt sein und der Antrieb kann beschädigt werden..



4.2) Anschluss der Versorgung

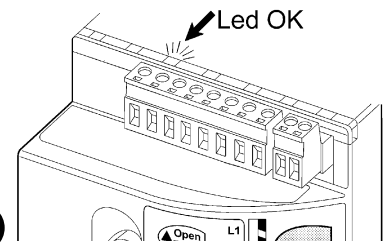
⚠ Der Anschluss der Versorgung zum TEN muss von erfahreinem Fachpersonal mit den erforderlichen Kenntnissen und unter voller Einhaltung von Gesetzen, Vorschriften und Verordnungen ausgeführt werden.

Sobald TEN mit Spannung versorgt ist, sollten einige einfache Überprüfungen ausgeführt werden:

1. Prüfen, ob die OK-Led regelmäßig einmal pro Sekunde blinkt (Abbildung 25).
 2. Prüfen, ob die Blinkleuchte und die zusätzliche Beleuchtung ausgeschaltet sind.
- Sollte all dies nicht der Fall sein, muss die Versorgung zur Steuerung unverzüglich ausgeschaltet werden, dann die elektrischen Anschlüsse genauer kontrollieren.

Weitere nützliche Auskünfte über die Fehlersuche und die Diagnose befinden sich in Paragraph "7.6 Probleme und deren Lösung".

25



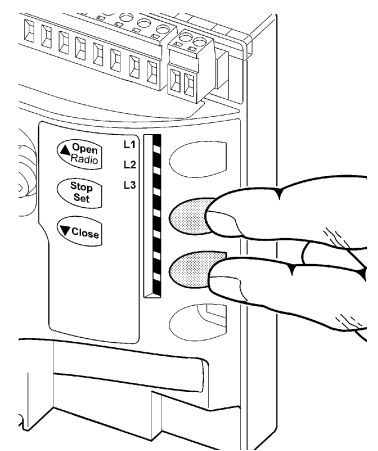
4.3) Erlernung der Positionen Öffnung und Schließung des Tors

Die Steuerung muss die Öffnungs- und Schließpositionen des Tors vom Anschlag in Schließung bis zum Endschalter in Öffnung erlernen. Das ist für die Berechnung der Stellen notwendig, an denen die Verlangsamung und die Teilöffnung erfolgen sollen. Neben den Positionen wird in dieser Phase die Konfiguration des Eingangs STOPP und das Vorhandensein oder nicht des Anschlusses in Modalität "Fototest" am Eingang FOTO erlernt und gespeichert (siehe Par. "7.3.2 Photozellen"). Weiterhin speichert die Steuerung in dieser Phase die zu den Öffnungs- und Schließbewegungen notwendige Kraft.

1. Auf die Tasten [▼] und [Set] drücken und gedrückt halten (Abbildung 26).
2. Die Tasten loslassen, wenn die Bewegung beginnt (nach ca. 3s)
3. Warten, bis die Steuerung die Erlernung durchgeführt hat: Schließung, Öffnung und erneute Schließung des Tors.
4. Auf Taste [OPEN] drücken, um eine vollständige Öffnungsbewegung auszuführen.
5. Auf Taste [CLOSE] drücken, um die Schließung auszuführen.

Sollte all dies nicht der Fall sein, muss die Versorgung zur Steuerung unverzüglich ausgeschaltet werden, dann die elektrischen Anschlüsse genauer kontrollieren. Falls die LEDES L2 und L3 am Ende der Erlernung blinken, ist ein Fehler vorhanden - siehe Par. "7.6 Probleme und deren Lösung". Bei diesen Bewegungen speichert die Steuerung die zu den Öffnungs- und Schließbewegungen notwendige Kraft. Die Erlernung der Öffnungs- und Schließpositionen des Tors und der Konfiguration der Eingänge STOPP und FOTO kann jederzeit auch nach der Installation wiederholt werden (wenn zum Beispiel einer der Endschalternocken verschoben wird); es genügt, die Erlernung ab Punkt 1 zu wiederholen.

26



4.4) Überprüfung der Torbewegung

Nach der Erlernung der Positionen sollten einige Bewegungen ausgeführt werden, um zu prüfen, ob sich das Tor richtig bewegt.

1. Auf Taste [OPEN] drücken, damit eine Öffnungsbewegung erfolgt; prüfen, ob sich das Tor regelmäßig und ohne Geschwindigkeitsschwankungen öffnet; erst wenn sich das Tor zwischen 15 und 5 cm vom Endschalter in Öffnung befindet, muss es verlangsamen und aufgrund der Auslösung des Endschalters anhalten.
2. Auf Taste [CLOSE] drücken, damit eine Schließbewegung erfolgt; prüfen, ob die Schließung des Tors mit einem Soft-Start erfolgt und sich die Geschwindigkeit dann ändert (nur, falls die Funktion aktiviert ist), und ob das Tor verlangsamt, wenn es sich zwischen 70 und 50 cm vom Endschalter in Schließung befindet, und dann aufgrund der Auslösung des Anschlags in Schließung anhält.
3. Während der Bewegung prüfen, ob die Blinkleuchte in Abständen von 0,5 Sekunden (0,5 Sek. ein, 0,5 Sek. aus) blinkt.
4. Mehrere Öffnungs- und Schließbewegungen ausführen, um eventuelle Montage- und Einstellfehler oder sonstige Störungen wie zum Beispiel stärkere Reibungen festzustellen.
5. Prüfen, ob der Antrieb TEN, die Arme und Bügel gut und stabil befestigt sind und auch plötzlichen Beschleunigungen oder Verlangsamungen der Torbewegung widerstehen.

4.5) Bereits programmierte Funktionen:

Die Steuerung von TEN verfügt über einige programmierbare Funktionen. Werkseitig sind diese Funktionen bereits so konfiguriert, dass sie den Bedarf der meisten Automatisierungen zufrieden stellen müssten; sie können aber über ein entsprechendes Programmierungsverfahren jederzeit geändert werden - siehe hierzu Paragraph "7.2 Programmierungen".

4.6) Funkempfänger

Für die Fernsteuerung von TEN ist ein Funkempfänger an der Steuerung eingebaut, der auf einer Frequenz von 433.92 MHz arbeitet und mit folgenden Sendertypen kompatibel ist (Tabelle 7):

Da die Codierung anders ist, bestimmt der zuerst gespeicherte Sender auch den Typ der Sender, die später gespeichert werden können. Man kann bis zu 160 Sender speichern.

Tabelle 7: Sender

Codierung	Modell
FLO	FLO1 - FLO2 - FLO4 VERY VE
FLOR	FLOR1 - FLOR2 - FLOR4 VERY VR ERGO1 - ERGO4 - ERGO6 PLANO1 - PLANO4 - PLANO6 - NICEWAY (alle Modelle)
SMILO	SM2 - SM4

4.7) Speicherung der Funksender

Jeder Sender wird vom Funkempfänger durch einen "Code" erkannt, der anders als der Code jedes anderen Senders ist. Daher ist eine "Speicherungsphase" notwendig, in der man den Empfänger darauf vorbereitet, jeden einzelnen Sender zu erkennen. Die Speicherung der Sender kann auf zwei verschiedene Arten erfolgen:

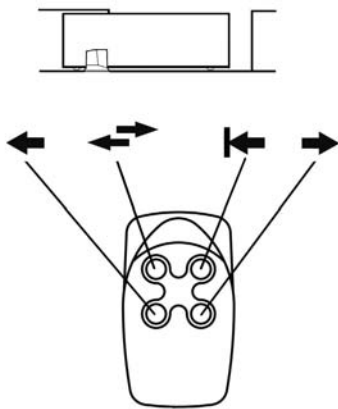
Tabelle 8: Speicherung im Modus I

Taste T1	Befehl "Schrittbetrieb"
Taste T2	Befehl "Teilöffnung"
Taste T3	Befehl "Öffnet"
Taste T4	Befehl "Schließt"

Anmerkung: die Einkanal-Sender verfügen nur über die Taste T1, die Zweikanal-Sender nur über die Tasten T1 und T2.

Modus I: Bei dieser Speicherart ist die Funktion der Sendertasten fest und jeder Taste entspricht in der Steuerung der in Tabelle Nr. 8 angegebene Befehl. Für jeden Sender, von dem alle Tasten gespeichert werden, führt man nur eine Speicherphase aus. In dieser Phase ist es unwichtig, welche Taste man drückt, und es wird nur ein Speicherplatz belegt.

Im **Modus I** kann ein Sender gewöhnlich nur eine Automatisierung steuern, siehe zum Beispiel die Abbildung 27.



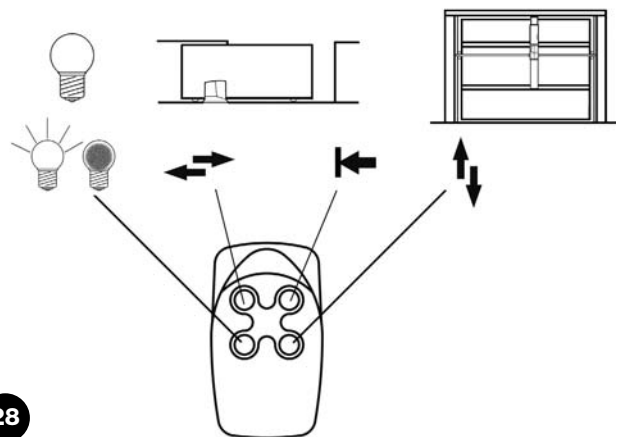
27

Tabelle 9: im Modus II zur Verfügung stehende Steuerbefehle

Befehl 1	"Schrittbetrieb"
Befehl 2	"Gehflügelöffnung"
Befehl 3	"Öffnet"
Befehl 4	"Schließt"

Modus II: in diesem Modus kann jeder einzelnen Sendertaste einer der vier möglichen Befehle der Steuerung, angegeben in Tabelle Nr. 9 zugeteilt werden; in jeder Phase wird nur eine Taste gespeichert, genauer gesagt jene, die während der Speicherphase gedrückt wird. Im Speicher wird für jede gespeicherte Taste ein Platz belegt.

Im **Modus II** kann ein Sender mit mehreren Tasten mehrere Automationen steuern - siehe zum Beispiel die Abbildung 28.

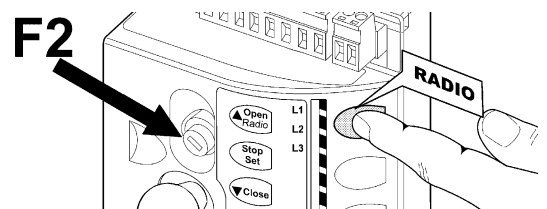


28

⚠ Da die Speicherverfahren eine Zeitgrenze von 10 Sekunden haben, zuerst die Anweisungen in den nächsten Punkten lesen, dann dieselbe ausführen.

⚠ Das Speichern und Löschen der Sender muss in den 10 ersten Sekunden nach der Versorgung ausgeführt sein. In diesem Zeitraum ist die Taste [▲/OPEN/RADIO] an der Steuerung der Speicherung und dem Löschen der Sender gewidmet. Nachdem 10 Sekunden ab dem letzten Blinken der LED I1 oder dem letzten Tastendruck vergangen sind, ist die Taste den Steuer- und Programmierungsfunktionen gewidmet (OPEN und ▲). Um das Ende des der Speicherung gewidmeten Zeitraums zu melden, wird die zusätzliche Beleuchtung 1 Mal blinken.

4.7.1) Speicherung im Modus I



29

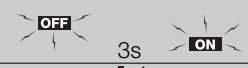

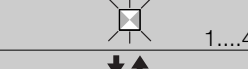



Tabelle 10: Speichern eines Senders im Modus I

	Beispiel
1. TEN ausschalten und nach mindestens 3 Sekunden einschalten (zum Beispiel indem F2 herausgenommen wird) (Abbildung 29)	OFF → 3s → ON
2. Innerhalb von 10 Sekunden ab dem Einschalten, auf Taste RADIO an der Steuerung drücken und mindestens 4 Sek. gedrückt halten (Abbildung 29)	▲ 4s
3. Die Taste loslassen, wenn die LED "Radio" L1 aufleuchtet	L1
4. Innerhalb von 10 Sekunden mindestens 3 Sek. lang auf eine beliebige Taste des zu speichernden Funksenders drücken.	↕ 3s
5. Die LED Radio an der Steuerung wird 3 Mal blinken, falls die Speicherung erfolgreich war.	⚡ x3

Zur Speicherung weiterer Sender, Schritt 4 innerhalb von 10s wiederholen.

Die Speicherphase wird beendet, falls innerhalb von 10s keine neuen Codes erhalten werden.

4.7.2) Speicherung im Modus II

Tabelle 11: Speichern einer Sendertaste im Modus II		Beispiel
1.	TEN ausschalten und nach mindestens 3 Sekunden einschalten (zum Beispiel indem F2 herausgenommen wird)	 3s 
2.	Innerhalb von 10 Sekunden ab dem Einschalten, so oft auf die Taste RADIO an der Steuerung drücken, t) wie der gewünschte Steuerbefehl ist (siehe Tabelle 9) (1=Schrittbetrieb; 2=Teilöffnung; 3=Öffnet; 4=Schließ	 1...4
3.	Prüfen, ob die LED Radio an der Steuerung so oft blinkt (wiederholtes Blinken mit kurzer Pause) wie der gewählte Steuerbefehl ist.	 1...4
4.	Innerhalb von 10s Sekunden mindestens 3 Sekunden lang auf die gewünschte Taste des zu speichernden Senders drücken	 3s
5.	Die LED am Empfänger wird 3 Mal blinken, falls die Speicherung erfolgreich war.	 x3







Zur Speicherung weiterer Sender, Schritt 3 innerhalb von 10s wiederholen.

Die Speicherphase wird beendet, falls innerhalb von 10s keine neuen Sender gespeichert werden.

4.7.3) Speicherung "in der Nähe des Empfängers"






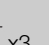





Ein neuer Sender kann auch ohne direkte Betätigung der kleinen Taste am Empfänger gespeichert werden. Man muss dazu über einen bereits gespeicherten und funktionierenden Sender verfügen. Der neue Sender wird mit denselben Merkmalen des bereits gespeicherten Senders gespeichert; wenn daher der erste Sender in Modus I gespeichert ist, wird auch der neue Sender in Modus I gespeichert; in diesem Fall kann auf eine beliebige Taste der Sender gedrückt werden. Ist der bereits funktionierende Sender dagegen in Modus II gespeichert, so wird auch der neue in Modus II gespeichert und es wird daher sehr wichtig, am ersten Sender die Taste des gewünschten Steuerbefehls und am zweiten Sender die Taste zu drücken, der man jenen Steuerbefehl zuordnen will.

⚠ Die Speicherung "in der Nähe des Empfängers" kann in allen Empfängern innerhalb der Reichweite des bereits gespeicherten Senders erfolgen; daher nur den betreffenden Empfänger gespeist halten.

Tabelle 12: Speicherung eines Senders "in der Nähe des Empfängers"		Beispiel
1.	Mit beiden Sendern in der Nähe des Empfängers folgende Schritte ausführen:	
2.	Mindestens 5s auf die Taste des neuen Funksenders drücken, dann loslassen.	 5s 
3.	Mal langsam auf die Taste des bereits gespeicherten Funksenders drücken.	 1s  1s  1s
4.	Mal langsam auf die Taste des neuen Funksenders drücken.	 1s

Nun wird der neue Funksender vom Empfänger erkannt und die Merkmale des bereits gespeicherten annehmen. Zur Speicherung weiterer Sender, alle Schritte für jeden neuen Sender wiederholen.

4.7.4) Löschen der Funksender

Tabelle 13: Löschen aller Sender		Beispiel
1.	TEN ausschalten und nach mindestens 3 Sekunden einschalten (zum Beispiel indem F2 herausgenommen wird)	 3s 
2.	Innerhalb von 10 Sekunden ab dem Einschalten, auf Taste RADIO an der Steuerung drücken und gedrückt halten	
3.	Warten, bis die LED Radio aufleuchtet, dann warten bis sie erlischt und danach warten, dass sie 3 Mal blinkt	   x3
4.	Die Taste RADIO genau während des 3. Blinkens loslassen.	   
5.	Falls das Verfahren erfolgreich war, wird die LED gleich danach 5 Mal blinken.	 x5

5) Abnahme und Inbetriebsetzung

Um höchste Sicherheit zu gewährleisten, sind dies die wichtigsten Schritte bei der Realisierung der Automatisierung. Die Abnahme kann auch als regelmäßige Überprüfung der Bestandteile des Automatismus verwendet werden.

⚠ Die Abnahme der gesamten Anlage muss von erfahrem Fachpersonal ausgeführt werden, das die erforderlichen Tests je nach vorhandenem Risiko auszuführen und die Einhaltung des von Gesetzen, Vorschriften und Verordnungen Vorgesehenen zu überprüfen hat, insbesondere was alle Anforderungen der Norm EN12445 betrifft, die Testmethoden zur Überprüfung von Torautomatismen festlegt.

5.1) Abnahme

Für jedes einzelne Element des Automatismus wie zum Beispiel Schaltleisten, Photozellen, Notstopps usw. ist eine spezielle Abnahmephase erforderlich; für diese Vorrichtungen sind die Verfahren in den jeweiligen Anleitungen auszuführen.

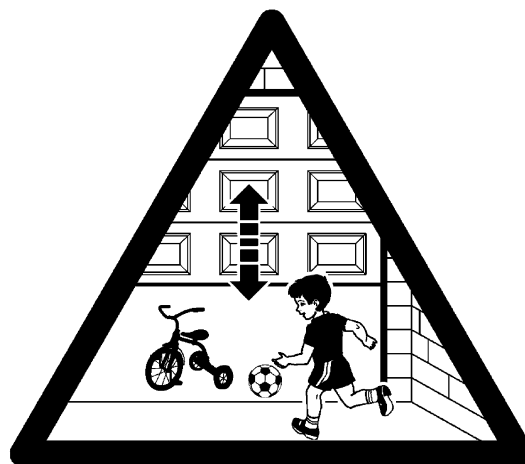
Für die Abnahme von TEN ist die folgende Sequenz auszuführen:

1. Prüfen, ob alles in der vorliegenden Anweisung und insbesondere das in Kapitel 1 "HINWEISE" angegebene genauestens eingehalten ist.
 2. Das Tor entriegeln, indem der Entriegelungsgriff eines jeden Antriebs gegen den Uhrzeigersinn gedreht wird (Abbildung 48); das Tor an der dazu vorgesehenen Stelle von Hand in Öffnung und Schließung bewegen und prüfen, dass dazu eine Kraft nicht über 225N erforderlich ist.
 3. Die Antriebe mit dem Tor verriegeln, indem der Entriegelungsgriff im Uhrzeigersinn gedreht wird (Abbildung 49).
 4. Die vorgesehenen Steuer- oder Stoppvorrichtungen (Schlüsseltaster, Steuertasten oder Funksender) verwenden, die Schließung und Öffnung des Tors testen und prüfen, ob das Verhalten wie vorgesehen ist.
 5. Besser mehrere Tests ausführen, um das Gleiten des Tors und eventuelle Montage- und Einstellfehler sowie das Vorhandensein besonderer Reibungen zu überprüfen.
6. Den korrekten Betrieb aller Sicherheitsvorrichtungen der Anlage einzeln überprüfen (Photozellen, Schaltleisten, Notstopps usw.). Insbesondere muss bei jeder Auslösung einer Vorrichtung die OK-LED an der Steuerung 2 Mal schnell blinken und somit bestätigen, dass die Steuerung das Ereignis erkannt hat.
 7. Zur Überprüfung der Photozellen und insbesondere um zu prüfen, dass keine Interferenzen mit anderen Vorrichtungen vorhanden sind, einen Zylinder mit 5 cm Durchmesser und 30 cm Länge auf der optischen Achse zuerst nah an TX, dann nah an RX und abschließend in ihrer Mitte durchführen und prüfen, dass die Vorrichtung in allen Fällen ausgelöst wird und vom aktiven Zustand auf den Alarmzustand übergeht und umgekehrt. Dann prüfen, dass in der Steuerung die vorgesehene Handlung verursacht wird, während der Schließung also zum Beispiel eine Umkehrung der Bewegung.
 8. Falls die durch die Torbewegung verursachten Gefahren mittels Begrenzung der Aufprallkraft abgesichert worden sind, muss die Kraft nach den Bestimmungen der Vorschrift EN 12445 gemessen werden. Falls die "Geschwindigkeitsregelung" und die Kontrolle der "Motorkraft" als Hilfsmittel für das System zur Aufprallkraftreduzierung benutzt wird, die Einstellung erproben und finden, mit der die besten Ergebnisse erzielt werden.

5.2) Inbetriebsetzung

Die Inbetriebsetzung darf erst erfolgen, nachdem alle Abnahmephasen von TEN sowie der anderen Vorrichtungen erfolgreich beendet sind. Eine teilweise oder vorübergehende Inbetriebsetzung ist unzulässig.

1. Die technischen Unterlagen der Automatisierung zusammenstellen und diese mindestens 10 Jahre lang aufbewahren. Sie müssen mindestens umfassen: Gesamtzeichnung der Automatisierung, Schaltplan mit den elektrischen Anschlüssen, Risikoanalyse und jeweilige angewendete Lösungen, Konformitätserklärung des Herstellers für alle benutzten Vorrichtungen (für TEN die anliegende "CE-Konformitätserklärung" verwenden), Kopie der Bedienungsanweisungen und des Wartungsplans der Automatisierung.
2. Am Tor ein Schild mit mindestens folgenden Daten anbringen: Automatisierungstyp, Name und Adresse des Herstellers (Verantwortlicher der "Inbetriebsetzung"), Seriennummer, Baujahr und CE-Markierung.
3. In Tornähe auf bleibende Art ein Etikett oder ein Schild befestigen, dass die Angaben zur Durchführung der Entriegelung und der Bewegung von Hand enthält.
4. Am Tor auf bleibende Weise ein Etikett oder Schild mit dieser Abbildung befestigen (Mindesthöhe 60 mm) (Abbildung 30).
5. Die Konformitätserklärung der Automatisierung anfertigen und dem Inhaber aushändigen.
6. Das Handbuch "Anweisungen und Hinweise für die Bedienung der Automatisierung" anfertigen und dem Inhaber der Automatisierung übergeben.
7. Den Wartungsplan anfertigen und dem Inhaber der Automatisierung aushändigen. Er enthält die Wartungsvorschriften der einzelnen Vorrichtungen.
8. Vor der Inbetriebsetzung des Automatismus, den Inhaber auf geeignete Weise und schriftlich (z.B. in den "Anweisungen und Hinweise für die Bedienung der Automatisierung") über die noch vorhandenen Gefahren und Risiken informieren.



6) Wartung und Entsorgung

Dieses Kapitel enthält die Informationen zur Anfertigung des Wartungsplans und für die Entsorgung von TEN.

6.1) Wartung

Um das Sicherheitsniveau konstant zu halten und die längste Lebensdauer der ganzen Automatisierung zu gewährleisten, ist eine regelmäßige Wartung erforderlich.

⚠ Die Wartung muss unter genauester Einhaltung der im vorliegenden Handbuch verzeichneten Sicherheitsbestimmungen und der Verordnungen der gültigen Gesetze und Vorschriften ausgeführt werden.

Sollten Vorrichtungen vorhanden sein, die anders als TEN sind, das in ihrem Wartungsplan vorgesehene ausführen.

1. Für TEN ist max. innerhalb von 6 Monaten oder 4.000 Bewegungen nach der vorherigen Wartung eine programmierte Wartung erforderlich:
2. Alle möglichen elektrischen Versorgungsquellen abtrennen.
3. Die Verschlechterung aller Materialien der Automatisierung überprüfen, mit besonderer Achtung auf Erosions- oder Roststellen an strukturellen Teilen; Teile, die nicht genügend Garantie geben, müssen ersetzt werden.
4. Den Verschleiß der Bewegungselemente überprüfen, wie Teleskoparme, Seile der Gegengewichte und alle Torteile. Verschleißte Elemente müssen ersetzt werden.
5. Die elektrischen Versorgungsquellen wieder anschließen und alle in Punkt "5.1 Abnahme" vorgesehenen Tests und Überprüfungen ausführen.

6.2) Entsorgung

Wie die Installationsarbeiten muss auch die Abrüstung am Ende der Lebensdauer dieses Produktes von Fachpersonal ausgeführt werden. Dieses Produkt besteht aus verschiedenen Stoffen, von denen einige recycled werden können.

Informieren Sie sich über die Recycling- oder Entsorgungssysteme, die für diese Produktkategorie von den örtlich gültigen Vorschriften vorgesehen sind.

⚠ Bestimmte Teile des Produktes können Schadstoffe oder gefährliche Substanzen enthalten, die, falls in die Umwelt gegeben, schädliche Wirkungen auf die Umwelt und die Gesundheit der Menschen haben könnten.

Wie durch das Symbol in Abbildung 31 angegeben, ist es verboten, dieses Produkt zum Haushaltsmüll zu geben. Daher differenziert nach den Methoden entsorgen, die von den örtlich gültigen Verordnungen

vorgesehen sind, oder das Produkt dem Verkäufer beim Kauf eines neuen, gleichwertigen Produktes zurückgeben.



Die örtlichen Verordnungen können schwere Strafen im Fall einer widerrechtlichen Entsorgung dieses Produktes vorsehen.

1. Die Stromversorgung vom Automatismus abtrennen.
2. Alle Vorrichtungen und Zubehörteile demontieren. Hierzu das in Kapitel "3 Installation" beschriebene Verfahren umgekehrt ausführen.
3. Soweit möglich, Teile trennen, die verschiedenartig recycled oder entsorgt werden können, zum Beispiel Metall von Plastik, elektronische Karten, Batterien, usw.
4. Sortieren und die so getrennten Werkstoffe örtlichen Wiederverwertungs- und Entsorgungsstellen anvertrauen.

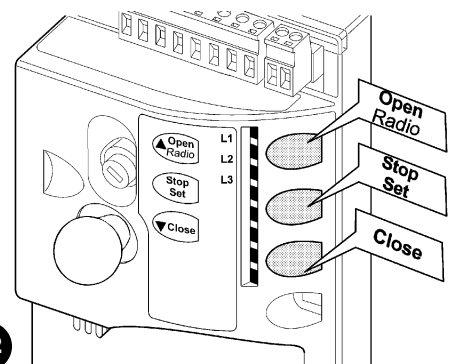
7) Weitere Auskünfte

In diesem Kapitel werden die Möglichkeiten für die Programmierung, eine persönliche Gestaltung, die Diagnose und die Fehlersuche an TEN behandelt.

7.1) Programmierungstasten

An der Steuerung von TEN sind 3 Tasten vorhanden, die sowohl zur Schaltung der Steuerung bei den Tests als auch zu Programmierungen benutzt werden können (Abbildung 32).

▲ OPEN RADIO	RADIO Innerhalb der 10 ersten Sekunden ab dem Einschalten kann mit der Funktion "RADIO" das Speichern und Löschen der mit TEN benutzten Funksender ausgeführt werden. Nach dieser Zeit führt man mit dieser Taste die Funktion "OPEN" aus, bzw. dem Tor kann ein Öffnungsbefehl erteilt werden oder die Taste dient zur Verschiebung des Programmierungspunktes nach oben.
STOP SET	Mit Taste "STOPP" kann eine Bewegung angehalten werden; falls länger als 5 Sekunden gedrückt, gibt sie Zugriff auf die Programmierung.
▼ CLOSE	Mit Taste "CLOSE" kann dem Tor ein Schließbefehl erteilt werden oder sie dient zur Verschiebung des Programmierungspunktes nach unten.



⚠ Während der Bewegung, gleich ob in Schließung oder in Öffnung, üben alle Tasten die Funktion STOPP aus und halten den Antrieb an.

7.2) Programmierungen

Die Steuerung von TEN verfügt über einige programmierbare Funktionen; die Einstellung dieser Funktionen erfolgt mit 3 Tasten an der Steuerung: **[▲]** **[▼]** und **[Set]**; sie werden über 3 LEDs angezeigt: **L1, L2, L3**.

Die an TEN zur Verfügung stehenden programmierbaren Funktionen befinden sich auf 2 Niveaus:

Erstes Niveau: ON-OFF-Funktionen (aktiv oder nicht aktiv); in diesem Fall zeigen die LEDs **L1, L2** und **L3** eine Funktion an; wenn die LED leuchtet, ist die Funktion aktiviert, wenn die LED nicht leuchtet, ist die Funktion deaktiviert - siehe Tabelle Nr. 14.

Zweites Niveau: auf einer Werteskala von 1 bis 3 einstellbare Parameter; in diesem Fall zeigt jede LED **L1, L2** und **L3** den unter den 3 möglichen eingestellten Wert an - siehe Tabelle Nr. 16.

7.2.1) Funktionen des ersten Niveaus (ON-OFF-Funktionen)

Tabelle 14: Liste der programmierbaren Funktionen: erstes Niveau






Nr.	Beschreibung	Beispiel
L1	Schließgeschwindigkeit	Mit dieser Funktion kann die Antriebsgeschwindigkeit in Schließung langsam oder schnell gewählt werden. Wenn die Funktion nicht aktiviert ist, so ist die langsame Geschwindigkeit eingestellt.
L2	Öffnungsgeschwindigkeit	Mit dieser Funktion kann die Antriebsgeschwindigkeit in Öffnung langsam oder schnell gewählt werden. Wenn die Funktion nicht aktiviert ist, so ist die langsame Geschwindigkeit eingestellt.
L3	Automatische Schließung	Diese Funktion ermöglicht die automatische Torschließung nach der programmierten Pausezeit; werkseitig ist die Pausezeit auf 30 Sekunden eingestellt, kann aber auf 15 oder 60 Sekunden geändert werden (siehe Tabelle Nr. 16). Wenn die Funktion nicht aktiviert ist, ist die Funktionsweise "halbautomatisch".

Während des Normalbetriebs von TEN sind die LEDs **L1, L2** und **L3** je nach dem Status der Funktion, die sie darstellen, ein- oder ausgeschaltet, zum Beispiel ist **L3** eingeschaltet, wenn die Funktion "Automatische Schließung" aktiviert ist. **L1** zeigt auch den Status der Funktion "Radio" in den 10 ersten Sekunden nach dem Einschalten an.

N.B.: wenn die schnelle Antriebsgeschwindigkeit in Öffnung und Schließung und die "hohe" Motorkraft eingestellt sind, deaktivieren sich die Verlangsamungen (mit Ausnahme der Verlangsamung in Schließung in der Nähe des Anschlags).

7.2.2 Erstes Niveau - Programmierungen (ON-OFF-Funktionen)

Werkseitig sind alle Funktionen des ersten Niveaus auf "OFF" gestellt, was man aber jederzeit ändern kann, wie in Tabelle Nr. 15 angegeben. Bei der Durchführung des Verfahrens vorsichtig sein, da die Zeitgrenze 10s zwischen dem Druck auf eine Taste und die andere beträgt. Nach Ablauf dieser Zeit wird das Verfahren automatisch beendet, mit Speicherung der bisher ausgeführten Änderungen.

Tabelle 15: Änderung der ON-OFF-Funktionen		Beispiel
1.	Auf Taste [Set] drücken und ca. 3 Sekunden gedrückt halten	
2.	Taste [Set] loslassen, wenn LED L1 zu blinken beginnt	
3.	Auf die Tasten [▲] oder [▼] drücken, um das Blinken auf die LED zu verschieben, welche die zu ändernde Funktion darstellt	
4.	Auf Taste [Set] drücken, um den Status der Funktion zu ändern (kurzes Blinken = OFF; langes Blinken = ON)	
5.	10s warten, um die Programmierung aufgrund des Ablaufs der Zeitgrenze zu beenden.	

Anmerkung: die Punkte 3 und 4 können während derselben Programmierungsphase wiederholt werden, um andere Funktionen auf ON oder OFF zu stellen.

7.2.3 Funktionen des zweiten Niveaus (einstellbare Parameter)

Tabelle 16: Liste der programmierbaren Funktionen: zweites Niveau				
Eingangs-LED	Parameter	LED (Niveau)	Wert	Beschreibung
L1	Motorkraft	L1	Niedrig	Regelt die Empfindlichkeit der Motorkraftkontrolle, um sie dem Tortyp anzupassen. Die Einstellung "Hoch" eignet sich mehr für große und schwere Tore.
		L2	Mittel	
		L3	Hoch*	
L2	Funktion Schrittbetrieb	L1	Öffnet-Stopp-Schließt-Öffnet	Stellt die Sequenz der Steuerbefehle ein, die dem Eingang Schrittbetrieb oder dem 1. Funkbefehl zugeteilt sind (siehe die Tabellen 7 und 8).
		L2	Öffnet-Stopp-Schließt-Stopp	
		L3	Wohnblockbetrieb	
L3	Pausezeit	L1	15 Sekunden	Stellt die Pausezeit ein bzw. die Zeit vor dem automatischen Zulauf. Wirkt nur, falls die automatische Schließung aktiviert ist.
		L2	30 Sekunden	
		L3	60 Sekunden	

Anmerkung: "■" ist die werkseitige Einstellung

* wenn die schnelle Antriebsgeschwindigkeit in Öffnung und Schließung und die "schnelle" Motorkraft eingestellt sind, deaktivieren sich die Verlangsamungen (mit Ausnahme der Verlangsamung in Schließung in der Nähe des Anschlags).

Alle Parameter können beliebig ohne Nebenwirkungen eingestellt werden, nur für die Einstellung der "Motorkraft" ist besondere Vorsicht notwendig:



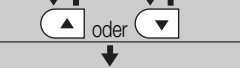
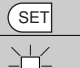
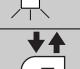
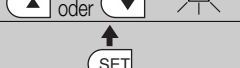

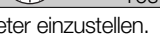
- Keine hohen Kraftwerte benutzen, um der Tatsache abzuweichen, dass das Tor starke Reibungspunkte hat. Eine zu starke Kraft kann das Sicherheitssystem beeinträchtigen und das Tor beschädigen.
- Falls die Kontrolle der "Motorkraft" als Hilfsmittel für das System

zur Aufprallkraftreduzierung benutzt wird, die Kraftmessung nach jeder Einstellung wiederholen, wie von Norm EN 12445 vorgesehen.

- Verschleiß und Witterung können die Torbewegungen beeinflussen; die Krafteinstellung sollte in regelmäßigen Abständen überprüft werden.

7.2.4 Zweites Niveau: Programmierungen (einstellbare Parameter)

Di fabbrica i parametri regolabili sono posti come evidenziato in tabella 16 con: "■" ma si possono cambiare in qualsiasi momento come indicato in Tabella 17. Fare attenzione nell'eseguire la procedura perché c'è un tempo massimo di 10s tra la pressione di un tasto e l'altro, allo scadere del quale la procedura finisce automaticamente memorizzando le modifiche fatte fino a quel momento.





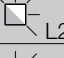





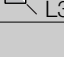

Tabelle 17: Änderung der einstellbaren Parameter		Beispiel
1.	Auf Taste [Set] drücken und ca. 3 Sekunden gedrückt halten	
2.	Taste [Set] loslassen, wenn LED L1 zu blinken beginnt	
3.	Auf die Tasten [▲] oder [▼] drücken, um das Blinken auf die "Eingangs-LED" zu verschieben, die den zu ändernden Parameter darstellt	
4.	Auf Taste [Set] drücken und gedrückt halten; die Taste [Set] muss während der Schritte 5 und 6 ständig gedrückt bleiben	
5.	Ca. 3s warten, danach wird die LED aufleuchten, die das aktuelle Niveau des zu ändernden Parameters darstellt	
6.	Auf die Tasten [▲] oder [▼] drücken, um die LED zu verschieben, die den Wert des Parameters darstellt.	
7.	Die Taste [Set] loslassen	
8.	10s warten, um die Programmierung aufgrund des Ablaufs der Zeitgrenze zu beenden.	

Anmerkung: die Punkte von 3 bis 7 können während derselben Programmierungsphase wiederholt werden, um mehrere Parameter einzustellen.



7.2.5) Erstes Niveau - Programmierungsbeispiel (ON-OFF-Funktionen)


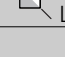


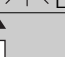

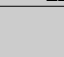

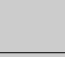
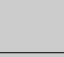
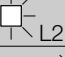





Als Beispiel wird die Sequenz der Vorgänge angegeben, die auszuführen sind, um die werkseitige Einstellung zur Aktivierung der Funktionen "Hohe Öffnungsgeschwindigkeit" (L2) und "Automatische Schließung" (L3) zu ändern.

Tabelle 18: Erstes Niveau - Programmierungsbeispiel	Beispiel
1. Auf Taste [Set] drücken und ca. 3 Sekunden gedrückt halten	 3s
2. Taste [Set] loslassen, wenn LED L1 zu blinken beginnt	 L1 
3. Einmal auf Taste [▼] drücken, damit das Blinken auf LED L2 übergeht	  L2
4. Einmal auf Taste [Set] drücken, um den Status der L2 zugeordneten Funktion (Öffnungsgeschwindigkeit) zu ändern; L2 führt nun ein langes Blinken aus	  L2
5. Einmal auf Taste [▼] drücken, damit das Blinken auf LED L3 übergeht	  L3
6. Einmal auf Taste [Set] drücken, um den Status der L3 zugeordneten Funktion (Automatische Schließung) zu ändern; L3 führt nun ein langes Blinken aus	  L3
7. 10s warten, um die Programmierung aufgrund des Ablaufs der Zeitgrenze zu beenden.	 10s

Am Ende dieser Vorgänge müssen die LEDs L2 und L3 eingeschaltet bleiben, was bedeutet, dass die Funktionen "Automatische Schließung" und "Hohe Öffnungsgeschwindigkeit" aktiviert sind.

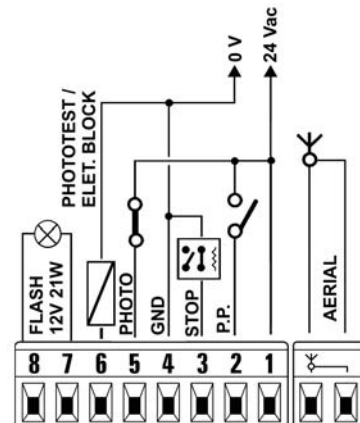
7.2.6) Zweites Niveau: Programmierungsbeispiel (einstellbare Parameter)

Als Beispiel wird die Sequenz der Vorgänge angegeben, die auszuführen sind, um die werkseitige Einstellung der Parameter zu ändern und die "Motorkraft" auf hoch (Eingang an L1 und Niveau auf L3) zu stellen und die "Pausezeit" auf 60s zu erhöhen (Eingang an L3 und Niveau auf L3).

Tabelle 19: Zweites Niveau - Programmierungsbeispiel	Beispiel
1. Auf Taste [Set] drücken und ca. 3 Sekunden gedrückt halten	 3s
2. Taste [Set] loslassen, wenn LED L1 zu blinken beginnt	 L1 
3. Auf Taste [Set] drücken und gedrückt halten; die Taste [Set] muss während der Schritte 4 und 5 ständig gedrückt bleiben	
4. Ca. 3s warten, danach wird die LED L2 aufleuchten, die das aktuelle Niveau der "Antriebskraft" darstellt	 L2 3s
5. Einmal auf Taste [▼] drücken, damit das Blinken auf LED L3 übergeht, die den neuen Wert der "Antriebskraft" darstellt	  L2
6. Die Taste [Set] loslassen	
7. 2 Mal auf Taste [▼] drücken, damit das Blinken auf LED L3 übergeht	  L3
8. Auf Taste [Set] drücken und gedrückt halten; die Taste [Set] muss während der Schritte 9 und 10 ständig gedrückt bleiben	
9. Ca. 3s warten, danach wird die LED L2 aufleuchten, die das aktuelle Niveau der "Pausezeit" darstellt	 L2 3s
10. Einmal auf Taste [▼] drücken, damit das Blinken auf LED L3 übergeht, die den neuen Wert der "Pausezeit" darstellt	  L3
11. Die Taste [Set] loslassen	
12. 10s warten, um die Programmierung aufgrund des Ablaufs der Zeitgrenze zu beenden.	 10s

7.3) Hinzufügen oder Entfernen von Vorrichtungen

Einer Automatisierung mit TEN können jederzeit Vorrichtungen hinzugefügt bzw. aus dieser entfernt werden. Insbesondere können an den Eingängen STOP und FOTO verschiedene Vorrichtungen angeschlossen werden, wie in "7.3.1 Eingang STOPP" und "7.3.2 Photozellen" angegeben. In Abbildung 33 befindet sich der Schaltplan für den Anschluss der verschiedenen Vorrichtungen.



7.3.1) Eingang STOPP

STOPP ist der Eingang, der das unverzügliche Anhalten der Bewegung verursacht, gefolgt von einer kurzen Umkehrung. An diesem Eingang können Vorrichtungen mit Ausgang mit gewöhnlich geöffnetem NO-Kontakt, gewöhnlich geschlossenem NC-Kontakt, oder Vorrichtungen mit Ausgang mit konstantem 8,2KΩ Widerstand wie zum Beispiel Schaltleisten angeschlossen werden.

Die Steuerung erkennt die am Eingang STOPP angeschlossene Vorrichtung während der Erlernung - siehe Paragraph "4.3 Erlernung der Positionen Öffnung und Schließung des Tors"; danach wird ein STOPP verursacht, wenn eine Variation des erlernten Status erfolgt.

Mit entsprechenden Maßnahmen kann am Eingang STOPP mehr als eine Vorrichtung auch anderen Typs angeschlossen werden.

- Mehrere NO-Vorrichtungen können miteinander in unbegrenzter Menge parallelgeschaltet werden.

- Mehrere NC-Vorrichtungen können miteinander in unbegrenzter Menge serienschaltet werden.
- Mehrere Vorrichtungen mit konstantem 8,2KΩ Widerstand können mit nur einem 8,2KΩ Endwiderstand kaskadengeschaltet werden.
- Weiterhin ist es möglich, NO- und NC-Vorrichtungen zu kombinieren, indem die beiden Kontakte parallelgeschaltet werden, dann einen 8,2KΩ Widerstand mit dem NC-Kontakt serienschalten (was auch die Kombination von 3 Vorrichtungen - NO, NC und 8,2KΩ ermöglicht).

⚠ Wenn der Eingang STOPP benutzt wird, um Vorrichtungen mit Sicherheitsfunktionen anzuschließen, gewährleisten nur die Vorrichtungen mit Ausgang mit konstantem 8,2KΩ Widerstand die Fehlertoleranzklasse 3 gemäß EN 954-1.

7.3.2) Photozellen

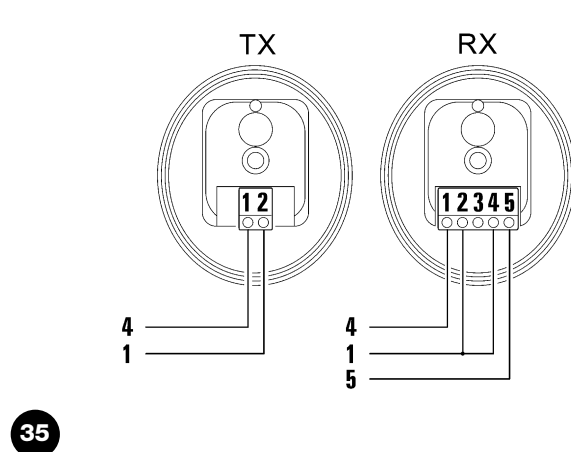
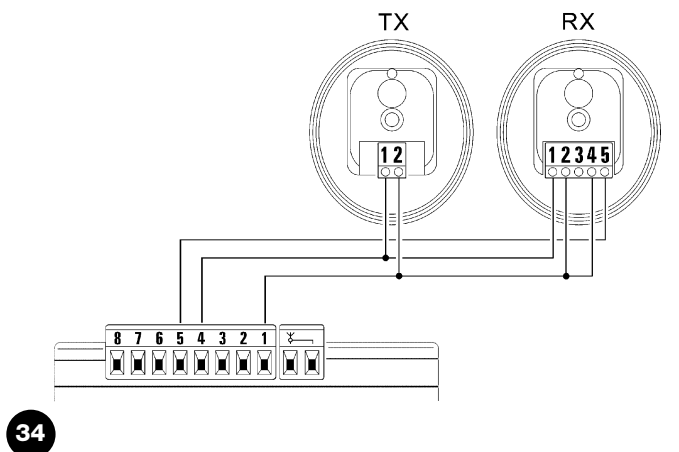
Die Steuerung von TEN ist mit der Funktion "Fototest (Photozellentest)" versehen, welche die Zuverlässigkeit der Sicherheitsvorrichtungen erhöht und eine Einstufung in "Klasse 2" gemäß EN 954-1 ermöglicht, was das Ganze Steuerung und Sicherheitsphotozellen betrifft.

Bei Beginn einer jeden Bewegung werden die damit verwickelten Sicherheitseinrichtungen kontrolliert; die Bewegung beginnt nur,

wenn alles in Ordnung ist. Falls der Test hingegen negativ war (Photozelle durch Sonne geblendet, Kabel kurzgeschlossen, usw.) wird der Defekt ermittelt und es erfolgt keine Bewegung. Für die Funktion "Fototest" ist ein spezieller Anschluss der Sender der Photozellen notwendig (siehe die Abb. 36 und 37). Die Steuerung erkennt den "Fototest"-Anschluss während der Erlernung (siehe "4.3 Erlernung der Positionen Öffnung und Schließung des Tors").

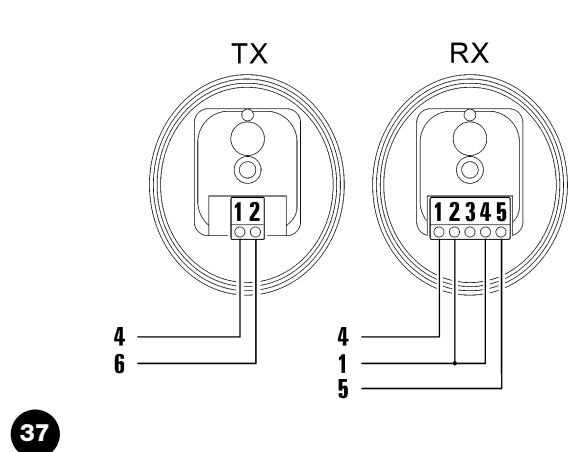
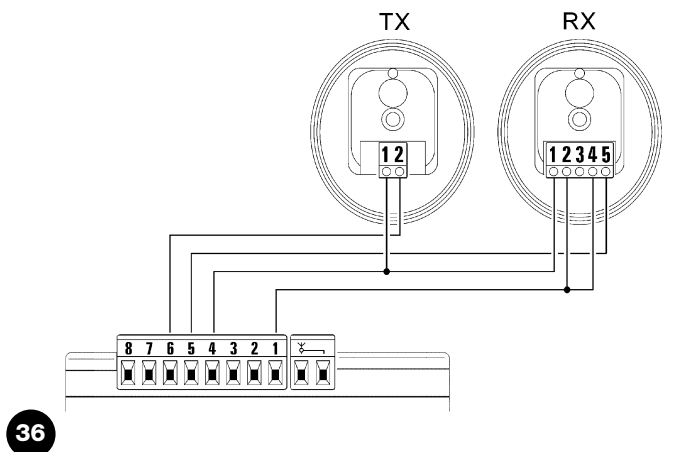
Anschluss ohne der Funktion "Fototest" (Abbildungen 34 und 35):

Die Sender und Empfänger direkt vom Ausgang der Nebeneinrichtungen der Steuerung speisen (Klemmen 1 - 4).



Anschluss mit der Funktion "Fototest" (Abbildungen 36 und 37):

Die Versorgung der Empfänger wird direkt vom Ausgang der Nebeneinrichtungen (Klemmen 1 - 4) genommen, wogegen jene der Sender vom Ausgang "Fototest" (Klemmen 6 - 4) genommen wird. Der an Ausgang "Fototest" anwendbare Höchststrom beträgt 100mA.



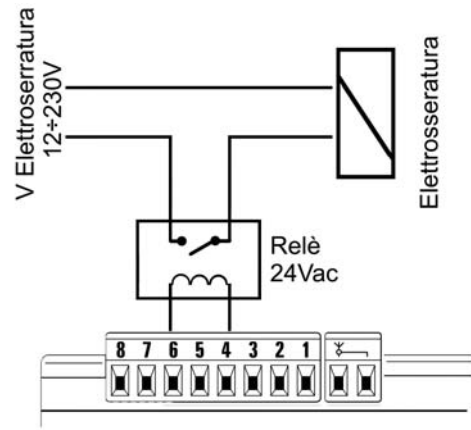
Falls 2 Photozellenpaare benutzt werden, die sich überschneiden können, das Synchrosystem aktivieren, wie in den Anweisungen der Photozellen beschrieben.

7.3.3) Elektroschloss

Werkseitig ist der Ausgang "Fototest" für die Funktion "Fototest" aktiviert.

An der Steuerung von TEN kann dieser Ausgang auch für ein Elektroschloss aktiviert werden. Bei Beginn jeder Öffnungsbewegung aktiviert sich der Ausgang 2 Sekunden lang; auf diese Weise kann ein Elektroschloss angeschlossen werden. Bei der Schließbewegung wird der Ausgang nicht aktiviert, daher kann sich das Elektroschloss mechanisch rückstellen.

Der Ausgang steuert das Elektroschloss nicht direkt, sondern nur eine Last von 24Vac - 2W. Der Ausgang muss mit einem Relais zusammenschaltet werden, wie in Abbildung 38 gezeigt.



38

7.3.4) Programmierung der Funktion Fototest/Elektroschloss

Werkseitig ist der Ausgang an Klemme 6 auf die Funktion "Fototest" programmiert, man kann aber jederzeit auf Elektroschloss und umgekehrt umschalten, wie in Tabelle 20 angegeben. Für diese Programmierung muss die Blinkleuchte angeschlossen sein (oder eine Lampe mit max. 12V 21W).

Tabelle 20: Programmierung des Ausgangs als Elektroschloss (und umgekehrt als Fototest)	Beispiel
1. TEN ausschalten (zum Beispiel, indem F2 herausgenommen wird)	OFF
2. Auf Taste [Set] drücken und gedrückt halten	SET
3. TEN einschalten	ON
4. Taste [Set] weiter gedrückt halten und warten, dass die Steuerung startet (ca. 4 Sek.);	SET 4s
5. Falls die Blinkleuchte ausgeschaltet bleibt, ist der Ausgang als Fototest programmiert. Falls sie eingeschaltet bleibt, ist er als Elektroschloss programmiert.	Lightbulb icons
6. Taste [Set] weiter gedrückt halten und die Taste [▼] drücken und loslassen (auch mehrmals). Die Blinkleuchte wird sich ein- oder ausschalten, was folgende Bedeutung hat: ein = Elektroschloss aus = Fototest	SET, Down arrow, Lightbulb icons
7. Die Taste [Set] loslassen	SET

Nachdem die Funktion "Fototest" aktiviert ist und die entsprechenden Anschlüsse der Photozellen ausgeführt sind, muss die Erlernung der Maße ausgeführt werden, wie in "4.3 Erlernung der Positionen Öffnung und Schließung des Tors" beschrieben.

7.3.5) Deaktivierung der variablen Empfindlichkeit bei der Hinderniswahrnehmung







TEN verfügt über ein System zur Wahrnehmung von Hindernissen, das auf der Kontrolle des Kraftaufwands des Antriebs beruht. Die Empfindlichkeit dieses Systems kann werkseitig variiert werden: wenn der Antrieb wenig Kraft anwendet, ist die Empfindlichkeit größer, wenn er mehr Kraft anwendet, ist sie kleiner. Das Ganze hat den Zweck, Hindernisse mit maximaler Genauigkeit wahrzunehmen. Es gibt Situationen (z. B. bei starken Windstößen), in denen das System ein nicht vorhandenes Hindernis wahrnehmen könnte. Um dieses Problem zu vermeiden, kann die variable Empfindlichkeit in solchen Situationen deaktiviert werden - Tabelle 21. Es bleiben die 3 festen Niveaus der Motorkraft (siehe Tabelle 16).

Tabelle 21: Deaktivierung der Empfindlichkeit der Wahrnehmung von Hindernissen, und umgekehrt	Beispiel
1. TEN ausschalten (zum Beispiel, indem F2 herausgenommen wird)	OFF
2. Auf Taste [Set] drücken und gedrückt halten	SET
3. TEN einschalten	ON
4. Taste [Set] weiter gedrückt halten und warten, dass die Steuerung startet (ca. 4 Sek.);	SET 4s
5. Wenn die zusätzliche Beleuchtung ausgeschaltet bleibt, ist die Hinderniswahrnehmung mit "variabler Empfindlichkeit" programmiert, wenn sie eingeschaltet bleibt, ist die Hinderniswahrnehmung mit "fixer Empfindlichkeit" programmiert.	Lightbulb icons
6. Taste [Set] weiter gedrückt halten und die Taste [▲] drücken und loslassen (auch mehrmals). Die zusätzliche Beleuchtung wird sich ein- oder ausschalten, was folgende Bedeutung hat: ein = fixe Empfindlichkeit (max.) aus = variable Empfindlichkeit	SET, Up arrow, Lightbulb icons
7. Die Taste [Set] loslassen	SET

Wenn man die variable Empfindlichkeit deaktiviert hat und wieder aktiviert, sollte die Erlernung der Maße ausgeführt werden, wie in "4.3 Erlernung der Positionen Öffnung und Schließung des Tors" beschrieben.

7.3.6) Programmierung des Montagesinns von TEN

Werkseitig ist TEN für eine gerade Montage wie in Abbildung 5 programmiert. Wenn eine umgekippte Montage für die Anlage notwendig ist (siehe Abbildung 7), muss die Steuerung von TEN wie in Tabelle 22 beschrieben programmiert werden.

Tabelle 22: Programmierung des Montagesinns von TEN	Beispiel
1. TEN ausschalten (zum Beispiel, indem F2 herausgenommen wird)	
2. Auf die Tasten [Stopp] und [Close] drücken und gedrückt halten	
3. TEN einschalten	
4. Die Tasten [Stopp] und [Close] weiter gedrückt halten und warten, dass die Steuerung startet (ca. 4 Sek.)	
5. Wenn die LEDs P1, P2 und P3 ausgeschaltet sind, ist TEN für eine gerade Montage wie in Abbildung 5 programmiert; wenn die LEDs eingeschaltet sind, ist TEN für eine umgekippte Montage wie in Abbildung 7 programmiert.	
6. Die Tasten [Stopp] und [Close] weiter gedrückt halten und die Taste [Open] drücken und loslassen (auch mehrmals). Die LEDs P1, P2 und P3 werden sich ein- oder ausschalten, was folgende Bedeutung hat: ein = umgekippte Montage (Abbildung 7) aus = gerade Montage (Abbildung 5)	
7. Die Tasten [Stopp] und [Close] loslassen.	

Achtung: wenn die umgekippte Montage programmiert ist, haben die Tasten Open und Close im Vergleich zu den Angaben auf dem Etikett an der Steuerung umgekehrte Funktionen.

7.4) Sonderfunktionen

7.4.1) Funktion "Öffnet Immer"

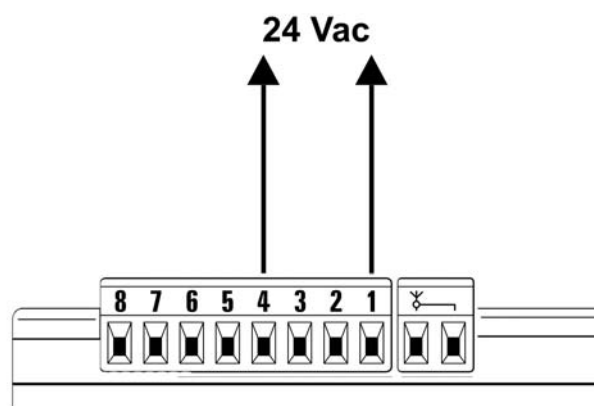
Die Funktion "Öffnet Immer" ist eine Besonderheit der Steuerung, mit der immer eine Öffnungsbewegung erfolgt, wenn der Befehl "Schrittbetrieb" länger als 3 Sekunden gegeben wird; das ist zum Beispiel nützlich, um an Klemme Schrittbetrieb den Kontakt einer Zeituhr anzuschließen, damit das Tor in einer bestimmten Zeitspanne geöffnet bleibt. Diese Eigenschaft ist unabhängig von der Programmierung des Eingangs PP (Schrittbetrieb) - siehe die Funktion "Schrittbetrieb" in Tabelle Nr. 16.

7.4.2) Funktion "Todmann"

Wenn eine Sicherheitsvorrichtung nicht korrekt funktionieren oder außer Betrieb sein sollte, kann das Tor in der Modalität "Todmann" bewegt werden. Für Einzelheiten wird auf den Paragraph "Torbewegung mit Sicherheitsvorrichtungen außer Betrieb" in der Anlage "Anweisungen und Hinweise für den Benutzer des Antriebs TEN" verwiesen.

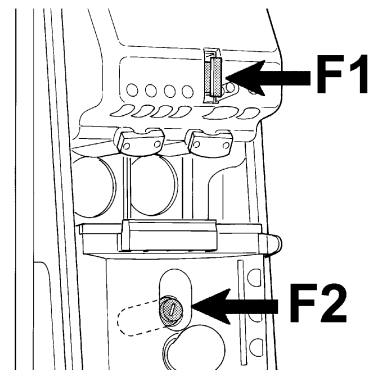
7.5) Verbindung sonstiger Vorrichtungen

Sollte es notwendig sein, externe Vorrichtungen wie zum Beispiel einen Proximity-Leser für Transponder-Cards oder die Beleuchtung des Schlüsseltasters anzuschließen, kann die Versorgung wie in Abbildung 39 gezeigt entnommen werden. Die Versorgungsspannung ist 24Vcc (-30% +50%) mit zur Verfügung stehendem Höchststrom von 100mA.



7.6) Probleme und deren Lösungen

In Tabelle Nr. 23 sind nützliche Hinweise zu finden, um eventuelle Betriebsstörungen zu beheben, die bei der Installation oder im Falle von Defekten auftreten können.



40

Tabelle 23: Fehlersuche

Symptome	Wahrscheinliche ursache und mögliche abhilfe
Der Funksender schaltet das Tor nicht und die LED am Sender leuchtet nicht auf.	Prüfen, ob die Batterien des Senders leer sind, ggf. auswechseln.
Der Funksender schaltet das Tor nicht, aber die LED am Sender leuchtet auf.	Prüfen, ob der Sender korrekt im Funkempfänger gespeichert ist. Mit diesem erfahrungsgemäßen Test prüfen, ob der Sender das Funksignal korrekt abgibt: auf eine Taste drücken und die LED der Antenne eines handelsüblichen Funkgeräts (besser nicht teuer) nähern, das eingeschaltet und auf FM Frequenz 108,5 MHz gestellt sein muss: man müsste ein leichtes, pulsierendes und krächzendes Geräusch hören.
Es erfolgt keine Bewegung und die OK-LED blinkt nicht.	Prüfen, ob TEN mit der 230V Netzspannung gespeist ist. Prüfen, ob die Sicherungen F1 und F2 unterbrochen sind; in diesem Fall die Ursache des Defekts überprüfen, dann die Sicherungen mit anderen mit demselben Stromwert und denselben Merkmalen auswechseln (Abbildung 40).
Es erfolgt keine Bewegung und die Blinkleuchte ist ausgeschaltet.	Prüfen, ob der Befehl effektiv empfangen wird. Falls der Befehl am Eingang Schrittbetrieb angelangt, blinkt die OK-LED zweimal, um zu melden, dass der Befehl empfangen wurde.
Es erfolgt keine Bewegung und die Blinkleuchte blinkt mehrmals.	Zählen, wie oft die Blinkleuchte blinkt und nach den Angaben in Tabelle Nr. 24 überprüfen.
Die Bewegung beginnt, aber gleich danach erfolgt eine kurze Umkehrung.	Die gewählte Kraft könnte für das Tor zu gering sein. Prüfen, ob Hindernisse vorhanden sind und ggf. eine stärkere Kraft wählen.

7.7) Diagnose und Anzeigen

Einige Vorrichtungen bieten selbst besondere Anzeigen, mit denen der Betriebsstatus oder eventuelle Störungen erkannt werden können.

7.7.1) Anzeigen durch die Blinkleuchte

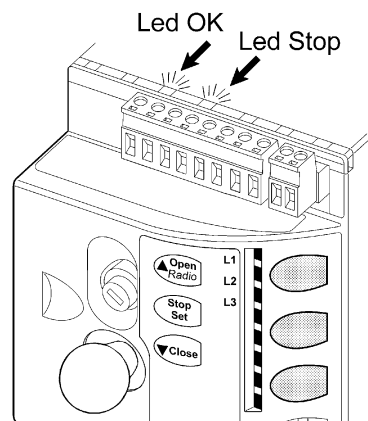
Falls eine Blinkleuchte angeschlossen wird, blinkt diese während der Bewegung einmal pro Sekunde; im Falle von Störungen wird das Blinken schneller sein; die Blinkvorgänge wiederholen sich zweimal mit einer Pause von einer Sekunde (Tabelle 23). Dieselben Anzeigen werden auch von der zusätzlichen Beleuchtung ausgeführt.

Tabelle 24: Anzeigen durch die Blinkleuchte FLASH

Schnellblinken	Ursache	HANDLUNG
2 Mal Blinken 1 Sekunde Pause 2 Mal Blinken	Auslösung einer Photozelle	Bei Bewegungsbeginn wird die Zustimmung zur Bewegung von einer oder mehreren Photozellen nicht gegeben; prüfen, ob Hindernisse vorhanden sind. Während der Schließbewegung ist das normal, wenn effektiv ein Hindernis vorhanden ist.
3 Mal Blinken 1 Sekunde Pause 3 Mal Blinken	Auslösung des "Motorkraft"-Begrenzers	Während der Bewegung war eine stärkere Reibung am Tor vorhanden; Ursache überprüfen.
4 Mal Blinken 1 Sekunde Pause 4 Mal Blinken	Auslösung des Eingangs STOPP	Am Anfang oder während der Bewegung erfolgte eine Auslösung des Eingangs STOPP; Ursache überprüfen.
5 Mal Blinken 1 Sekunde Pause 5 Mal Blinken	Fehler in den internen Parametern der elektronischen Steuerung	Mindestens 30 Sekunden warten und den Befehl erneut erteilen; sollte dieser Status bleiben, könnte ein schwerer Defekt vorhanden sein, und die elektronische Steuerkarte muss ausgewechselt werden.
6 Mal Blinken 1 Sekunde Pause 6 Mal Blinken	Die Höchstgrenze an Bewegungen pro Stunde wurde überschritten.	Ein paar Minuten warten, bis der Bewegungsbegrenzer wieder unter die Höchstgrenze zurückkehrt.
7 Mal Blinken 1 Sekunde Pause 7 Mal Blinken	Fehler in den internen elektrischen Kreisläufen	Alle Versorgungskreisläufe ein paar Sekunden lang abtrennen, dann einen Befehl erteilen; sollte dieser Status bleiben, könnte ein schwerer Defekt an der Steuerkarte oder der Motorverdrahtung vorhanden sein. Überprüfen und ggf. auswechseln.

7.7.2) Anzeigen durch die Steuerung

An der Steuerung von TEN befinden sich verschiedene LEDs, von denen jede sowohl im Normalbetrieb als auch bei Störungen besondere Anzeigen geben kann (Abbildung 41).



41

Tabelle 25: LEDs an den Klemmen der Steuerung

OK-LED	Ursache	HANDLUNG
aus	Störung	Prüfen, ob die Stromversorgung vorhanden ist; prüfen, ob die Sicherungen ausgelöst wurden; ggf. die Ursache des Defekts überprüfen, dann die Sicherungen mit anderen mit dem gleichen Wert austauschen.
ein	Schwere Störung	Eine schwere Störung liegt vor, versuchen, die Steuerung ein paar Sekunden abzuschalten; falls dieser Status bleibt, ist ein Defekt vorhanden und die elektronische Steuerkarte muss ausgetauscht werden.
Mal Blinken pro Sekunde	Alles OK	Normalbetrieb der Steuerung
2 Mal Schnellblinken	Es erfolgte eine Statusvariation der Eingänge	Ist normal, wenn eine Änderung an einem der Eingänge Schrittbetrieb oder Stopp erfolgt oder die Photozellen ansprechen oder der Funksender benutzt wird.
Mehrmaliges Blinken mit 1 Sekunde Pause	Verschiedenes	Ist dieselbe Anzeige, die an der Blinkleuchte erfolgt. Siehe Tabelle Nr. 23
LED STOPP	Ursache	HANDLUNG
aus	Auslösung des Eingangs STOPP	Die am Eingang STOPP angeschlossenen Vorrichtungen überprüfen
ein	Alles OK	Eingang STOPP aktiv

Tabelle 26: LEDs an den Tasten der Steuerung

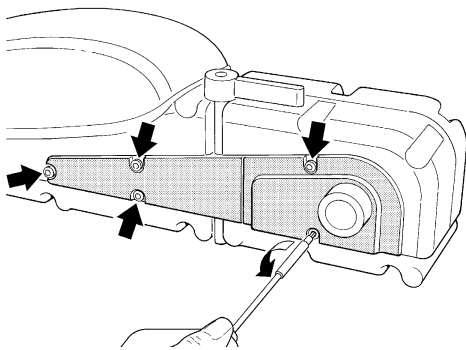
LED L1	Beschreibung
aus	Zeigt beim Normalbetrieb an: Funktion langsame "Schließgeschwindigkeit"
ein	Bedeutet in den ersten 15 Sekunden ab dem Einschalten: Speicherung des Senders im Gang. Zeigt beim Normalbetrieb an: Funktion schnelle "Schließgeschwindigkeit"
Blinkt	<ul style="list-style-type: none"> • Programmierung der Funktionen im Gang. • Löschen oder Diagnose der Funksender.
LED L2	Beschreibung
aus	Zeigt beim Normalbetrieb an: Funktion langsame "Öffnungsgeschwindigkeit"
ein	Zeigt beim Normalbetrieb an: Funktion schnelle "Öffnungsgeschwindigkeit"
Blinkt	<ul style="list-style-type: none"> • Programmierung der Funktionen im Gang. • Falls zusammen mit L3 blinkt, muss die Erlernung der Öffnungs- und Schließpositionen des Tors ausgeführt werden (siehe Paragraph "4.3 Erlernung der Positionen Öffnung und Schließung des Tors").
LED L3	Beschreibung
aus	Zeigt beim Normalbetrieb an: "Automatische Schließung" deaktiviert.
ein	Zeigt beim Normalbetrieb an: "Automatische Schließung" aktiviert.
Blinkt	<ul style="list-style-type: none"> • Programmierung der Funktionen im Gang. • Falls zusammen mit L2 blinkt, muss die Erlernung der Öffnungs- und Schließpositionen des Tors ausgeführt werden (siehe Paragraph "4.3 Erlernung der Positionen Öffnung und Schließung des Tors").

7.8) Zubehör

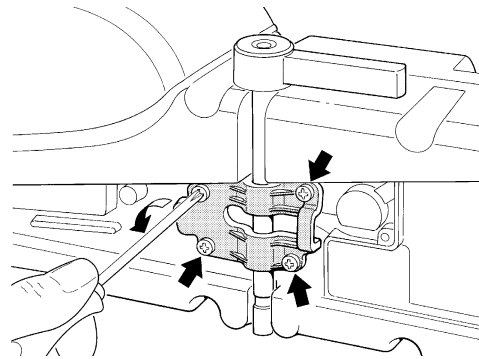
Für TEN steht folgendes Zubehör zur Verfügung: Für die vollständige und aktuelle Liste der Zubehörteile siehe den Produktkatalog der Nice S.p.a.

- TNA1** Ersatzsteuerung für TN2030 und TNKCE
- OTA2** Tragbügel für Antrieb, Länge 1250 mm
- OTA3** Tragbügel für Antrieb, Länge 2000 mm
- TNA4** Paar Antriebswellen, Länge 1500 mm
- TNA5** Paar gerade Teleskoparme, serienmäßig
- TNA6** Paar gebogene Teleskoparme, serienmäßig
- TNA8** Paar Antriebswellen, Länge 200mm
- OTA11** Kit für die Entriegelung von außen mit Metallseil
- OTA12** Kit für die Entriegelung von außen mit Schlüsselsperrzahn
- TNA38** Vorgelegevorrichtung für 1 Paar Antriebswellen
- TS** Warnschild

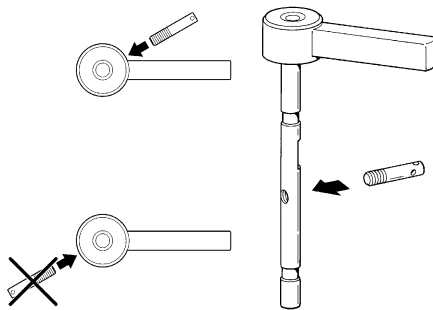
7.8.1) Vormontage von OTA11



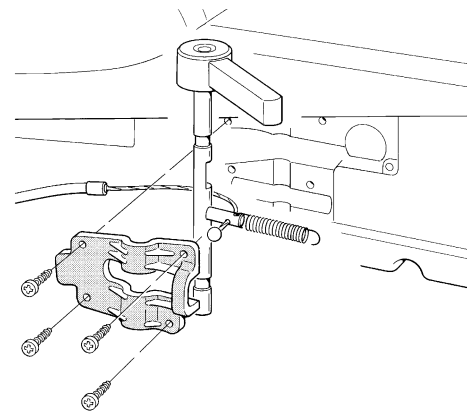
42 Die Schrauben lösen und die Seitengehäuse abnehmen



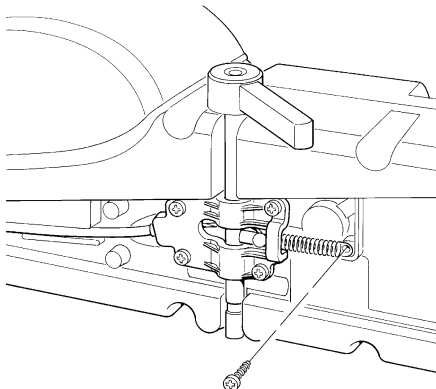
43 Die Schrauben lösen und den Bundring entfernen



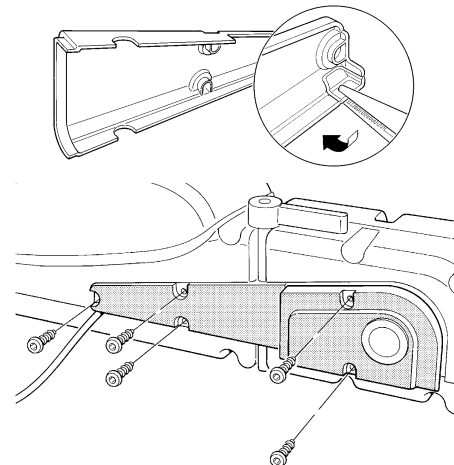
44 Den mitgelieferten Zapfen festschrauben, dabei die Position zum Griff beachten



45 Das Seil und die Feder einstecken, wie angegeben



46 Die Feder mit der mitgelieferten Schraube 4.2x13 befestigen, den Bundring wieder festschrauben und abschließend den Mantel einfügen.



47 Die Vorbohrung im Deckel durchschneiden und das Ganze wieder schließen. Achtung: die Dichtungen nicht quetschen.

8) Technische Merkmale

Für eine Verbesserung der Produkte behält sich NICE S.p.A. das Recht vor, die technischen Merkmale jederzeit und ohne vorherige Benachrichtigung zu ändern, wobei aber die vorgesehenen Funktionalitäten und Einsätze garantiert bleiben.
Alle technischen Merkmale beziehen sich auf eine Temperatur von 20°C (±5°C).

Technische Merkmale: TEN					
Modell Typ	TN2020	TN2030	TNKCE	TN2030+TN2020	
Typik	/	Elektromechanischer Antrieb für die automatische Bewegung von ausfahrenden und nicht ausfahrenden Kipptoren an Wohngebäuden, komplett mit elektronischer Steuerung			
Max. Anlaufdrehmoment	320 Nm	320 Nm	280 Nm	420 Nm	
Nenndrehmoment	220 Nm	220 Nm	200 Nm	280 Nm	
Geschwindigkeit ohne Last	1.4 (24Vcc)	1.7rpm; die Steuerung ermöglicht die Programmierung von 2 Geschwindigkeiten: 1rpm oder 1.7rpm			
Geschwindigkeit bei Nenndrehmoment	0.9 (24Vcc)	1.2rpm			
Max. Häufigkeit der Betriebszyklen (die Steuerung begrenzt die Anzahl der Zyklen auf das maximal Vorgesehene - siehe die Tabellen Nr. 3 und 4) *	25 Zyklen pro Stunde	20 Zyklen pro Stunde	15 Zyklen pro Stunde	10 Zyklen pro Stunde	
Max. Dauerbetriebszeit (die Steuerung begrenzt den Dauerbetrieb auf das maximal Vorgesehene - siehe die Tabellen Nr. 3 und 4) **	14 Minuten	11 Minuten	10 Minuten	8 Minuten	
Einsatzgrenzen	Gewöhnlich ist TEN imstande, ausgewuchtete Tore mit einer Oberfläche bis 8m ² mit 1 Antrieb und bis 14m ² mit 2 Antrieben zu automatisieren, je nach den Einsatzgrenzen in Tabelle Nr. 2.				
Lebensdauer	Geschätzt zwischen 10.000 Zyklen und 50.000 Zyklen, je nach den in Tabelle 5 angegebenen Bedingungen				
Betriebsspannung von TEN	24 Vcc (-30% +50%)		230Vac (-10% +15%) 50/60Hz.		
Betriebsspannung von TEN/V1			120Vac (-10% +15%) 50/60Hz.		
Max. Leistungsaufnahme mit 1 Antrieb	130 W (5.5A)	220 W (1A)	200 W (0.9A)	330 W (1.4A)	
Max. Leistungsaufnahme mit 2 Antrieben					
Isolationsklasse	III	I	I	I	
Versorgung mit Pufferbatterie	Nein				
Zusätzliche Beleuchtung	12V/10W Sockel BA15S				
Ausgang Blinkleuchte.	/	für 1 Blinkleuchte LUCYB; MLB oder MLBT (Lampe 12V, 21W)			
Ausgang Fototest / Elektroschloss	/	24Vac /2W			
Eingang STOPP	/	Für gewöhnlich geschlossene, gewöhnlich geöffnete Kontakte oder Kontakte mit konstantem 8,2KΩ Widerstand; verursacht in Selbsterlernung (eine Variation im Vergleich zum gespeicherten Status) den Steuerbefehl "STOPP"			
Eingang PP (Schrittbetrieb)	/	Für gewöhnlich geöffnete Kontakte (das Schließen des Kontaktes verursacht den Steuerbefehl Schrittbetrieb)			
Eingang Funkantenne	/	52 Ohm für Kabel Typ RG58 oder ähnliche			
Funkempfänger	/	eingebaut			
Programmierbare Funktionen	/	3 ON-OFF-Funktionen und 3 einstellbare Funktionen (siehe die Tabellen Nr. 15 und 17)			
Funktionen in Selbsterlernung	/	Selbsterlernung der "STOPP"-Vorrichtung (NO-Kontakt, NC-Kontakt oder 8,2KΩ Widerstand). Selbsterlernung der Positionen Öffnung und Schließung des Tors und Berechnung der Stellen, an denen die Verlangsamung und die Teilöffnung erfolgen.			
Betriebstemperatur	-20°C ÷ 50°C				
Benutzung in säure- und salzhaltiger oder explosionsgefährdeter Umgebung	Nein				
Schutzart	IP 44				
Abmessungen	512 x 150 h 158				
Gewicht	7.2 Kg	9.5 Kg	15.5 Kg		
		TN2020	TN2030	TNKCE	TN2030+TN2020
* Bei einer Temperatur von 50°C ist die maximale Betriebsfrequenz (Zyklen pro Stunde):		"6"	"4"	"4"	"3"
**Bei einer Temperatur von 50°C ist die maximale Betriebszeit (in Min.):		"6"	"5"	"5"	"4"

Technische Merkmale	eingebauter Funkempfänger
Typik	4-kanaliger Empfänger für eingebaute Funksteuerung
Frequenz	433.92MHz
Codierung:	Digital fixer Code 12 Bit, Typ FLO Digital Rolling Code 52 Bit, Typ FLOR Digital Rolling Code 64 Bit, Typ SMILO
Kompatibilität der Sender (1)	A) FLO, VERY VE B) FLOR, VERY VR; nur Einzelgruppe: ERGO, PLANO, PLANOTIME, NICEWAY (alle Modelle) C) SMILO
Speicherbare Sender	bis zu 160, falls in Modus I gespeichert
Eingangsimpedanz	52Ω
Empfindlichkeit	besser als 0.5μV
Reichweite der Sender	Bis zu 150 m auf freiem Feld; bis zu 35 m in Gebäuden. Diese Entfernung kann bei Vorhandensein von Hindernissen und elektromagnetischen Störungen stark variieren und ist durch die Position der Empfangsantenne beeinflusst.
Ausgänge	für Schaltvorrichtungen gemäß den Tabellen 8 und 9
Betriebstemperatur	-20°C ÷ 55°C

Anmerkung 1: der zuerst eingegebene Sender bestimmt auch die Typik jener, die man später eingeben wird.

Technische Merkmale	Sender: FLO2	Sender: FLO2R-S	Sender: SM2
Typik	2-kanaliger Sender für Funksteuerung		
Frequenz	433.92MHz		
Codierung	Digital fixer Code 12 Bit, Typ FLO	Digital Rolling Code 52 Bit, Typ FLOR	Digital Rolling Code 64 Bit, Typ SMILO
Tasten	2		
Betriebsspannung	12Vdc mit 23A Batterie		
Aufnahme	25mA		
Dauer der Batterie	1 Jahr, geschätzt auf der Basis von 20 Befehlen/Tag mit einer Dauer von 1 Sekunde bei 20°C (bei niedrigen Temperaturen verringert sich die Effizienz der Batterien)		
Abgestrahlte Leistung	100μW		
Abmessungen / Gewicht	72 x 40 h 18mm / 30g	72 x 40 h 18mm / 30g	Durchmesser 48 h14mm / 19g
Schutzart	IP 40 (Innenanwendung oder Anwendung in geschützter Umgebung)		
Betriebstemperatur	-40°C ÷ 85°C		

Anweisungen und Hinweise für den Benutzer des Antriebs TEN

Die vorliegenden Anweisungen können und müssen die "Anweisungen und Hinweise für den Gebrauch der Automatisierung" ergänzen, die der Installateur dem Besitzer der Automatisierung übergeben muss.

Wir gratulieren: Ihnen zu Ihrer Wahl eines Nice Produktes für Ihre Automatisierung! Nice S.p.A. stellt Bestandteile für die Automatisierung von Türen und Toren, Rollläden, Behängen und Markisen her, wie Getriebemotoren, Steuerungen, Funksteuerungen, Blinkleuchten, Photozellen und Zubehör. Nice verwendet ausschließlich Werkstoffe und Verarbeitungen hochstehender Qualität und ist aufgrund der Nice Betriebsphilosophie immer auf der Suche nach innovativen Lösungen, um die Verwendung der Nice Apparaturen, vom technischen, ästhetischen und ergonomischen Standpunkt her besonders gepflegt, zu erleichtern: Ihr Installateur wird bestimmt das richtige Produkt in der großen Nice Palette für Sie ausgewählt haben. Nice ist jedoch nicht der Hersteller Ihrer Automatisierung, die das Ergebnis von Analysen, Bewertungen, Auswahl der Materialien und der Durchführung der Anlage durch Ihren Vertrauensinstallateur ist. Jede Automatisierung ist einzigartig, und nur Ihr Installateur besitzt die Erfahrung und Professionalität, die notwendig sind, um eine Anlage nach Ihrem Bedarf auszuführen, die sicher und dauerhaft zuverlässig und vor allem fachgerecht ist bzw. den gültigen Vorschriften entspricht. Eine Automatisierungsanlage ist etwas sehr bequemes, aber auch ein wertvolles Sicherheitssystem und dauert mit nur wenigen Eingriffen bestimmt jahrelang. Auch wenn Ihre Automatisierung den von den Vorschriften geforderten Sicherheitsniveaus entspricht, schließt dies das Vorhandensein von "Restrisiken" nicht aus, womit die Möglichkeit gemeint ist, dass gewöhnlich aufgrund eines verantwortungslosen oder falschen Gebrauchs Gefahren erzeugt werden können; wir möchten Ihnen deshalb ein paar Ratschläge geben, wie Sie sich verhalten sollten, um allen Unannehmlichkeiten aus dem Weg zu gehen:

- **Bevor Sie die Automatisierung zum ersten Mal verwenden,** lassen Sie sich von Ihrem Installateur erklären, wie Restrisiken entstehen können, und widmen Sie dem Lesen **der Anweisungen und Hinweise für den Benutzer,** die Ihnen Ihr Installateur aushändigen wird, ein paar Minuten. Bewahren Sie die Anleitung für zukünftige Zweifelsfälle auf und übergeben Sie diese ggf. einem neuen Besitzer der Automatisierung.
- **Ihre Automatisierung ist eine Maschine, die Ihre Befehle getreu durchführt;** ein verantwortungsloser und unsachgemäßer Gebrauch kann gefährlich werden: verursachen Sie keine Bewegung der Automatisierung, wenn sich Personen, Tiere oder Gegenstände in ihrem Aktionskreis befinden.
- **Kinder:** eine Automatisierungsanlage gewährleistet einen hohen Sicherheitsgrad und verhindert mit ihren Schutzsystemen, dass sie sich bei Anwesenheit von Personen und Gegenständen bewegt, und gewährleistet eine immer vorhersehbare und sichere Aktivierung. Als Vorsichtsmaßnahme sollte man aber Kindern verbieten, in der Nähe der Automatisierung zu spielen, und man sollte die Fernbedienungen nicht in

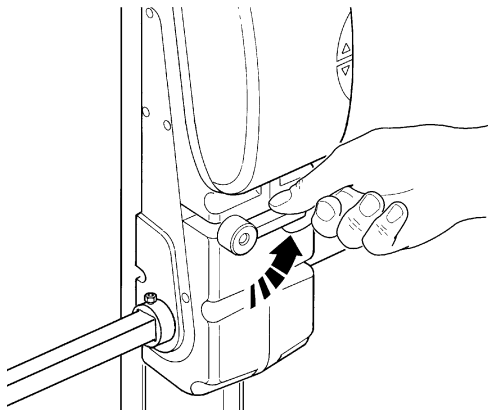
der Reichweite von Kindern lassen: **es handelt sich nicht um ein Spiel!**

- **Störungen:** Schalten Sie die Stromversorgung zur Anlage ab, sobald Sie ein ungewöhnliches Verhalten der Automatisierung bemerken, und führen Sie die manuelle Entriegelung aus. Versuchen Sie nie, selbst Reparaturen auszuführen, sondern fordern Sie den Eingriff Ihres Vertrauensinstallateurs an: in der Zwischenzeit, nachdem Sie den Getriebemotor wie weiter vorne beschrieben entriegelt haben, kann die Anlage wie eine nicht automatisierte Vorrichtung funktionieren.
- **Wartung:** Wie jede Maschine benötigt auch Ihre Automatisierung eine regelmäßige Wartung, damit sie so lange wie möglich und in voller Sicherheit funktionieren kann. Vereinbaren Sie mit Ihrem Installateur einen programmierten Wartungsplan. Nice empfiehlt eine programmierte Wartung alle sechs Monate bei Normalgebrauch für den Haushalt, dieser Zeitraum kann aber je nachdem, wie häufig die Anlage benutzt wird, unterschiedlich sein. Arbeiten wie Wartung, Kontrollen und Reparaturen dürfen nur von Fachpersonal ausgeführt werden.
- Auch wenn Sie meinen, dass Sie wissen, wie das gemacht wird, ändern Sie die Anlage und die programmierten Parameter sowie die Einstellungen der Automatisierung nicht: diese Verantwortung steht Ihrem Installateur zu.
- Die Abnahme, die periodischen Wartungen und eventuelle Reparaturen müssen von dem, der diese Arbeiten ausführt, belegt sein, und diese Belege müssen vom Besitzer der Anlage aufbewahrt werden.
Die einzigen Eingriffe die Sie ausführen und periodisch auch ausführen sollten, sind die Reinigung der Gläser an den Photozellen und die Entfernung eventueller Blätter oder Steine, die den Automatismus behindern könnten. Um zu verhindern, dass jemand das Tor betätigt, entriegeln Sie vor diesen **Arbeiten den Automatismus** (wie weiter vorne beschrieben). Zur Reinigung nur ein mit Wasser leicht benetztes Tuch verwenden.
- **Entsorgung:** Versichern Sie sich, dass die Entsorgung am Ende der Lebensdauer Ihrer Automatisierung von Fachpersonal gemacht wird und dass die Materialien nach den örtlich gültigen Vorschriften recycled oder entsorgt werden.
- **Im Falle von Defekten oder bei Stromausfall:** Warten Sie auf Ihren Installateur oder bis der Strom wieder vorhanden ist, falls Ihre Anlage keine Pufferbatterie hat; die Anlage kann wie eine beliebige nicht automatisierte Öffnungsvorrichtung betätigt werden. Dazu muss die manuelle Entriegelung ausgeführt werden. Diesem Vorgang, der einzige, den der Benutzer der Automatisierung ausführen kann, widmete Nice besondere Aufmerksamkeit, damit Sie diese Vorrichtung immer mit größter Einfachheit, ohne Werkzeug und ohne körperliche Anstrengungen betätigen können.



Entriegelung und manuelle Bewegung: Achtung: die Entriegelung darf nur bei stehendem Tor ausgeführt werden.

Um zu entriegeln, drehen Sie den Griff gegen den Uhrzeigersinn und bewegen Sie das Tor von Hand (Abbildung 48).

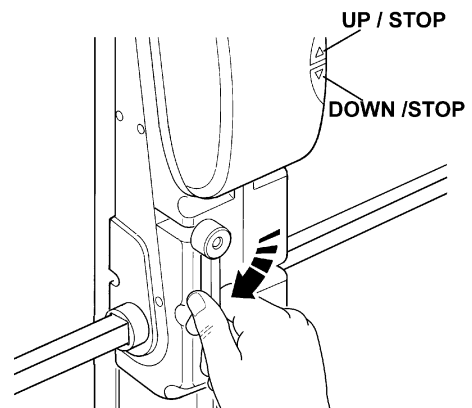


48

Betätigung bei nicht funktionierenden Sicherheitsvorrichtungen Sollten die am Tor vorhandenen Sicherheitsvorrichtungen nicht korrekt funktionieren, kann das Tor trotzdem bewegt werden.

- Einen Befehl zur Bewegung des Tors erteilen (mit der Fernbedienung, dem Schlüsseltaster, usw.); wenn alles in Ordnung ist, wird sich das Tor normal öffnen oder schließen, andernfalls wird die Blinkleuchte mehrmals blinken und es erfolgt keine Bewegung (die Anzahl der Blinkvorgänge hängt von der Ursache ab, warum keine Bewegung erfolgt).
- In diesem Fall muss die Schaltvorrichtung innerhalb von drei Sekunden erneut **betätigt** werden und **betätigt bleiben**.
- Nach ca. 2s wird die Torbewegung im Modus "Todmann" erfolgen. Das bedeutet, dass sich das Tor bewegen wird, solange Sie die Schaltvorrichtung betätigen; sobald Sie diese loslassen, hält das Tor an.

Um wieder zu verriegeln, drehen Sie den Griff im Uhrzeigersinn in vertikale Stellung und bewegen Sie das Tor von Hand, bis es einspannt (Abbildung 49).



49

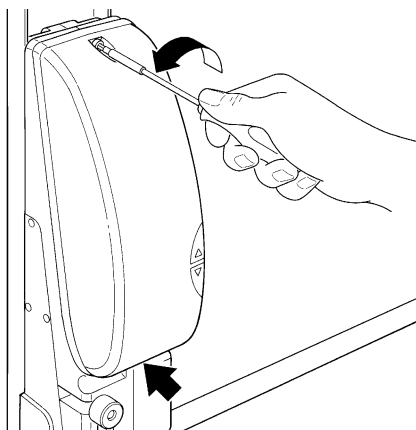
Wenn die Sicherheitsvorrichtungen außer Betrieb sind, muss der Automatismus so schnell wie möglich repariert werden.

Ersatz der Batterie der Fernbedienung: falls Ihre Funksteuerung nach einiger Zeit anscheinend schlechter oder gar nicht funktioniert, so könnte das ganz einfach von der leeren Batterie abhängen (je nach Batterie kann das nach mehreren Monaten bis zu über einem Jahr geschehen). Sie können das an dem Leuchtmelder bemerken, der die Sendung bestätigt und nur schwach oder gar nicht oder nur ganz kurz leuchtet. Bevor Sie sich an den Installateur wenden, versuchen Sie, die Batterie mit der eines anderen, funktionierenden Senders auszuwechseln: sollte das die Ursache sein, genügt es, die alte Batterie mit einer anderen gleichen Typs auszuwechseln.

Achtung: Batterien enthalten Schadstoffe: nicht in den Hausmüll geben, sondern nach den örtlichen Vorschriften entsorgen.

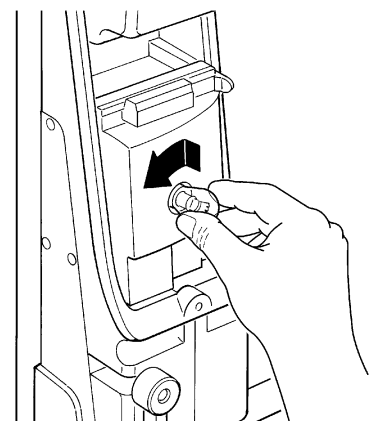
Auswechseln der Lampe: schalten Sie vorher die Betriebsspannung zu TEN aus.

1. Die Schrauben lösen und den Deckel öffnen, wie auf Abbildung 50 gezeigt.



50

2. Die Lampe ausschrauben und mit einer neuen 12V/10W Sockel BA15S ersetzen (Abbildung 51).



51

Sind Sie zufrieden? Wenn Sie eine neue Automatisierung für Ihr Haus wollen und sich an denselben Installateur und an Nice wenden, werden Sie sich die Beratung eines Fachmanns und die fortgeschrittensten Produkte auf dem Markt, aber auch den besten Betrieb und die größte Verträglichkeit zwischen den Automatisierungen zusichern.

Wir danken Ihnen, dass Sie diese Ratschläge gelesen haben, und wünschen Ihnen größte Zufriedenheit mit Ihrer neuen Anlage: wenden Sie sich für gegenwärtige oder zukünftige Bedarfsfälle vertrauensvoll an Ihren Installateur.

Ten

Índice:	pág.
1 Advertencias	115
2 Descripción del producto y uso previsto	116
2.1 Límites de empleo	116
2.2 Control de los componentes del producto	117
2.3 Instalación típica	118
2.4 Listado de los cables	118
3 Instalación	119
3.1 Controles preliminares	119
3.2 Instalación del motorreductor	119
3.3 Regulación de los fines de carrera	122
3.4 Instalación de los diferentes dispositivos	122
3.5 Conexiones eléctricas	122
3.5.1 Descripción de las conexiones eléctricas	123
3.5.2 Conexión eléctrica del segundo motor	123
4 Controles finales y puesta en marcha	123
4.1 Selección del tipo de instalación	123
4.2 Conexión de la alimentación	124
4.3 Aprendizaje de las posiciones de apertura y cierre de la puerta	124
4.4 Control del movimiento de la puerta	124
4.5 Funciones predefinidas	124
4.6 Radiorreceptor	124
4.7 Memorización de los transmisores	125
4.7.1 Memorización en Modo I	125
4.7.2 Memorización en Modo II	126
4.7.3 Memorización “cerca del receptor”	126
4.7.4 Ensayo y puesta en servicio	126
5 Ensayo y puesta en servicio	127
5.1 Ensayo	127
5.2 Puesta en servicio	127
6 Mantenimiento y desguace	127
6.1 Mantenimiento	127
6.2 Desguace	128
7 Otras informaciones	128
7.1 Botones de programación	128
7.2 Programaciones	128
7.2.1 Funciones de primer nivel (funciones ON-OFF)	128
7.2.2 Programación de primer nivel (funciones ON-OFF)	129
7.2.3 Funciones de segundo nivel (parámetros regulables)	129
7.2.4 Programación de segundo nivel (parámetros regulables)	129
7.2.5 Ejemplo de programación de primer nivel (funciones ON-OFF)	130
7.2.6 Ejemplo de programación de segundo nivel (parámetros regulables)	130
7.3 Instalación o desinstalación de dispositivos	130
7.3.1 Entrada STOP	131
7.3.2 Fococélulas	131
7.3.3 Electrocerradura	132
7.3.4 Programación de la función Fototest / Electrocerradura	132
7.3.5 Desactivación de la Sensibilidad variable al detectar un obstáculo	132
7.3.6 Programación del sentido de instalación del TEN	133
7.4 Funciones especiales	133
7.4.1 Función “Abrir siempre”	133
7.4.2 Función “Mover Igualmente”	133
7.5 Conexión de otros dispositivos	133
7.6 Solución de los problemas	134
7.7 Diagnóstico y señales	134
7.7.1 Señales con la luz intermitente	134
7.7.2 Señalizaciones en la central	135
7.8 Accesorios	136
7.8.1 Premontaje para OTA11	136
8 Características técnicas	137
Instrucciones y advertencias para el usuario del motorreductor TEN	139

1) Advertencias

Este manual de instrucciones contiene informaciones importantes en materia de seguridad para la instalación, es necesario leer detenidamente todas las instrucciones antes de comenzar la instalación. Conserve este manual en buenas condiciones para su consultación posterior. Considerando los peligros que pueden generarse durante la instalación y el uso del TEN, para la seguridad máxima es necesario que la instalación sea realizada respetando plenamente las leyes, normas y reglamentos. En este capítulo se indicarán las advertencias de carácter general; otras advertencias importantes están presentes en los capítulos "3.1 Controles preliminares" y "5 Ensayo y puesta en servicio".

⚠ Según la legislación europea más reciente, la automatización de una puerta o de una cancela entra en el ámbito de las disposiciones de la Directiva de Máquinas 98/37/CE y, en particular, en las normas: EN 13241-1 (norma armonizada); EN 12445; EN 12453 y EN 12635, que permiten declarar la conformidad con la directiva de máquinas.

Más informaciones, directrices para el análisis de los riesgos y para la realización del Expediente Técnico están disponibles en: "www.nicefor-you.com". Este manual está destinado únicamente al personal técnico cualificado para la instalación. Salvo el anexo específico, que el instalador se encargará de separar, "Instrucciones y advertencias destinadas al usuario del motorreductor TEN", ninguna de las informaciones aquí incluidas puede ser de interés para el usuario final.

- Está prohibido utilizar el TEN con una finalidad diferente de aquella prevista en estas instrucciones; un uso inadecuado puede causar peligros o daños a las personas o bienes.
- Antes de comenzar la instalación es necesario analizar los riesgos, que incluye la lista de los requisitos esenciales de seguridad previstos en el anexo I de la Directiva de Máquinas, indicando las relativas soluciones adoptadas. Recuérdese que el análisis de los riesgos es uno de los documentos que forman el expediente técnico de la automatización.
- Compruebe si es necesario incorporar otros dispositivos que puedan servir para completar la automatización con TEN, según la situación de empleo específica y los peligros presentes: por ejemplo, deben considerarse los peligros de choque, aplastamiento, corte, arrastre, etc. y otros peligros en general.
- No modifique ninguna parte salvo que esté previsto en estas instrucciones; los trabajos de este tipo pueden causar solamente desperfectos; NICE no es responsable de los daños que deriven de productos modificados.
- Durante la instalación y el uso procure que no puedan entrar elementos sólidos o líquidos dentro de la central o de otros dispositivos abiertos; de ser oportuno, contacte con el servicio de asistencia NICE; el uso del TEN en dichas situaciones puede originar situaciones peligrosas.
- La automatización no puede utilizarse antes de haberla puesto en servicio, tal como especificado en el capítulo: "5 Ensayo y puesta en servicio".
- El material de embalaje del TEN debe eliminarse respetando la normativa local.
- Si el desperfecto no pudiera resolverse utilizando las informaciones indicadas en este manual, contacte con el servicio de asistencia NICE.
- Si se desconectaran los interruptores automáticos o los fusibles, antes de restablecerlos hay que localizar y eliminar la avería.
- Antes de acceder a los bornes del interior de la tapa del TEN, desconecte todos los circuitos de alimentación; si el dispositivo de desconexión no quedara a la vista, colóquelo un cartel: "ATENCIÓN MANTENIMIENTO EN CURSO".

Advertencias especiales sobre la idoneidad para el uso de este producto con relación a la Directiva de "Máquinas" 98/37/CE (ex 89/392/CEE):

- Este producto se comercializa como "componente de máquina" y es fabricado para ser incorporado en una máquina o para ser ensamblado con otras maquinarias, a fin de realizar "una máquina", con arreglo a la Directiva 98/37 CE, sólo combinándolo con otros componentes y según las pautas descritas en este manual de instrucciones. Tal como previsto por la directiva 98/37 CE, se advierte que no está permitida la puesta en servicio de este producto hasta que el fabricante de la máquina, donde se incorporará el producto, no la haya identificado y declarado conforme a la directiva 98/37/CE.

Advertencias específicas sobre la idoneidad para el uso de este producto con relación a la Directiva "Baja Tensión" 73/23/CEE y siguientes modificaciones 93/68/CEE.

- Este producto responde a los requisitos previstos por la Directiva "Baja Tensión" únicamente si se lo emplea para el uso y en las configuraciones previstas en este manual de instrucciones y junto con los artículos presentes en el catálogo de productos de Nice S.p.a. Los requisitos podrían no estar garantizados si el producto se utiliza en configuraciones diferentes o con otros productos no previstos; está prohibido utilizar el producto en estas condiciones, hasta que la persona que ejecuta la instalación haya verificado que responde a los requisitos previstos por la directiva

Advertencias especiales sobre la idoneidad para el uso de este producto con relación a la Directiva "Compatibilidad Electromagnética" 89/336/CEE y modificación siguiente 92/31/CEE y 93/68/CEE:

- Este producto ha sido sometido a los ensayos en materia de compatibilidad electromagnética en las situaciones de uso más duras, en las configuraciones previstas en este manual de instrucciones y en combinación con los artículos presentes en el catálogo de productos de Nice S.p.a. Si el producto se utilizara con configuraciones o con otros productos no previstos, podría perderse la garantía de la compatibilidad electromagnética; en dichas condiciones, está prohibido el uso del producto hasta que la persona que efectúa la instalación haya verificado que responde a los requisitos previstos por la directiva.

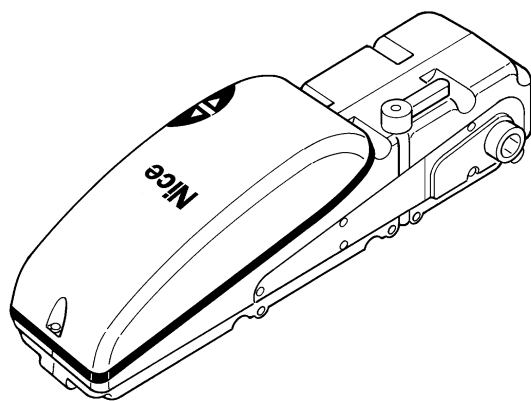
2) Descripción del producto y uso previsto

TEN (Figura 1) es un motorreductor (Tabla 1: descripción de la composición del TEN) para automatizar puertas basculantes con contrapesos, basculantes de muelles, desbordantes y no desbordantes y articuladas. TEN alcanza el límite de la carrera (en la apertura y en el cierre) mediante una etapa de desaceleración. También controla constantemente el esfuerzo al cual es sometido durante las maniobras, detectando posibles anomalías tales como, por ejemplo, un obstáculo imprevisto que bloquea el movimiento de la hoja; en este caso, la automatización ejecuta una parada y una breve inversión del movimiento.

Tabla 1: descripción de la composición del TEN

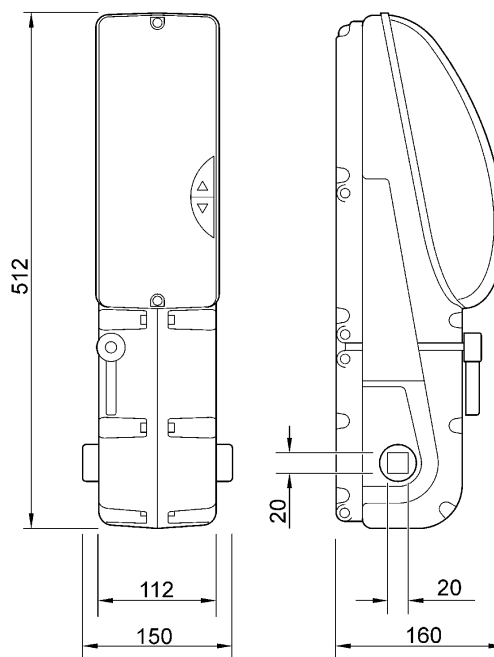
Modelo tipo	Descripción
TN2020*	Motorreductor irreversible y luz de cortesía. Se lo utiliza como "Slave" de TN2010 o TN2030
TN2030	Motorreductor irreversible, central de mando, fin de carrera mecánico de apertura y de cierre y luz de cortesía.
TNKCE	Motorreductor irreversible, central de mando, fin de carrera mecánico de apertura y de cierre y luz de cortesía. Disponibles únicamente en Kit y adecuado para automatizaciones con un solo motor central.

* Si usted lo utiliza de otra manera, asegúrese de que la alimentación proceda de un sistema a muy baja tensión de seguridad, en el que no se generen tensiones superiores a la muy baja tensión de seguridad.



1

Antes de proceder con la instalación, controle que los componentes del producto estén íntegros, que el modelo corresponda con aquel pedido y que sea idóneo para el entorno en el cual debe ser instalado.



2.1) Límites de empleo

Los datos referidos a las prestaciones de TEN están indicados en el capítulo "8 Características técnicas" y son los únicos valores que permiten la evaluación correcta de la idoneidad para su uso. Generalmente, TEN puede automatizar puertas basculantes según los límites indicados en la Tabla 2.

Tabla 2: límites de empleo de los motorreductores TEN

Tipo de portón	Motorizado con 1 motor		Motorizado con 2 motores	
Basculante desbordante	Altura máx. 2,6 m	Longitud máx. 3 m	Altura máx. 2,6 m	Longitud máx. 5,4 m
Basculante no desbordante	Altura máx. 2,6 m	Longitud máx. 3m	Altura máx. 2,6 m	Longitud máx. 5,4 m

Las medidas de la tabla 2 son de carácter indicativo y sirven sólo para una evaluación aproximada. La idoneidad real del TEN para automatizar una puerta determinada depende del grado de compensación de la hoja, de la fricción en las guías y de otros fenómenos, incluso ocasionales, tal como la presión del viento o la presencia de hielo que podría impedir el movimiento de la hoja. Para una verificación real es absolutamente indispensable medir la fuerza necesaria para mover la puerta a lo largo de toda su carrera y controlar que dicha fuerza no supere el "par nominal" indicado en el capítulo "8 Características técnicas"; asimismo, para establecer el número de ciclos/hora y los ciclos consecutivos hay que tener en cuenta las indicaciones en las Tablas 3 y 4.

Tabla 3: límites según la fuerza necesaria para mover la hoja con 1 TNKCE o TN2030

Fuerza para mover la hoja (Nm)	Ciclos/hora máximos			Ciclos consecutivos máximos		
	TNKCE	TN2020	TN2030	TNKCE	TN2020	TN2030
Hasta 120	20	30	25	25	33	27
120÷180	18	28	23	23	31	25
180÷220	15	25	20	20	28	22

Tabla 4: límites según la fuerza necesaria para mover la hoja con 1 TN2030 + 1 TN2020

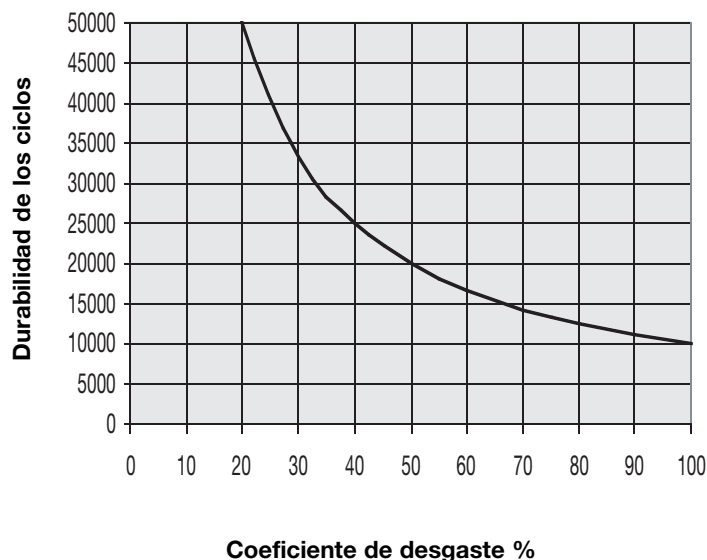
Fuerza para mover la hoja (Nm)	Ciclos/hora máximos	Ciclos consecutivos máximos
Hasta 150	15	20
150÷250	13	17
250÷350	10	15

Para evitar recalentamientos, la central incorpora un limitador que se basa sobre el esfuerzo y sobre la duración de los ciclos, activándose cuando se supera el límite máximo.

En el capítulo "8 Características técnicas" se indica una evaluación de la "durabilidad", es decir la vida útil media del producto. El valor depende del coeficiente de desgaste de las maniobras, es decir la suma de todos los factores que intervienen en el desgaste. Para efectuar tal evaluación, hay que sumar los coeficientes de desgaste indicados en la Tabla 5, y con el resultado total verificar en el gráfico la durabilidad estimada. Por ejemplo: TNKCE en una puerta de 130 kg, que necesita una fuerza de 150Nm para ser movida, dotada de fotocélulas y sin otros elementos de desgaste, obtiene un coeficiente de desgaste equivalente al 60% (30+20+10). Del gráfico se obtiene que la durabilidad está estimada en 18.000 ciclos. Cabe señalar que la estimación de la duración se hace según cálculos de proyecto y según los resultados de pruebas hechas sobre los prototipos; puesto que se trata de una estimación, no representa ninguna garantía sobre la duración efectiva del producto.

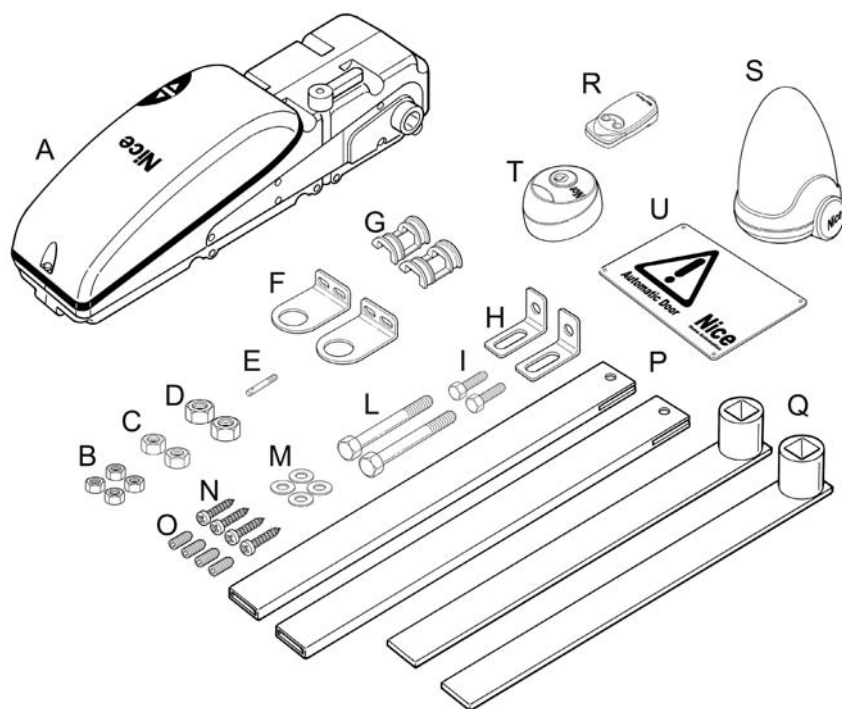
Tabla 5: evaluación de la durabilidad según el coeficiente de desgaste de la maniobra

Coeficiente de desgaste %	TNKCE	TN2030	
	TN2030	+ TN2020	
Peso de la hoja kg			
Hasta 70	20	10	
70 ÷ 150	30	20	
150 ÷ 200	40	30	
Oltre 200	60	50	
Fuerza para mover la hoja N			
Hasta 100	10	5	
100 ÷ 180	20	15	
180 ÷ 220	40	30	
220 ÷ 280	-	50	
Otros elementos de desgaste (a considerar si la probabilidad de que sucedan supera el 10%)			
Temperatura ambiente superior a 40°C o inferior a 0°C o humedad superior al 80%	10	10	
Presencia de polvo o arena	15	15	
Presencia de salinidad	20	20	
Interrupción maniobra desde Fotocélula	10	10	
Interrupción maniobra desde Stop	20	20	
Velocidad alta	15	15	
Total coeficiente de desgaste %:			



2.2) Control de los componentes del producto

- Controle que el embalaje esté íntegro;
- **Desembale el producto y controle que se encuentren los siguientes componentes (Figura 2):**

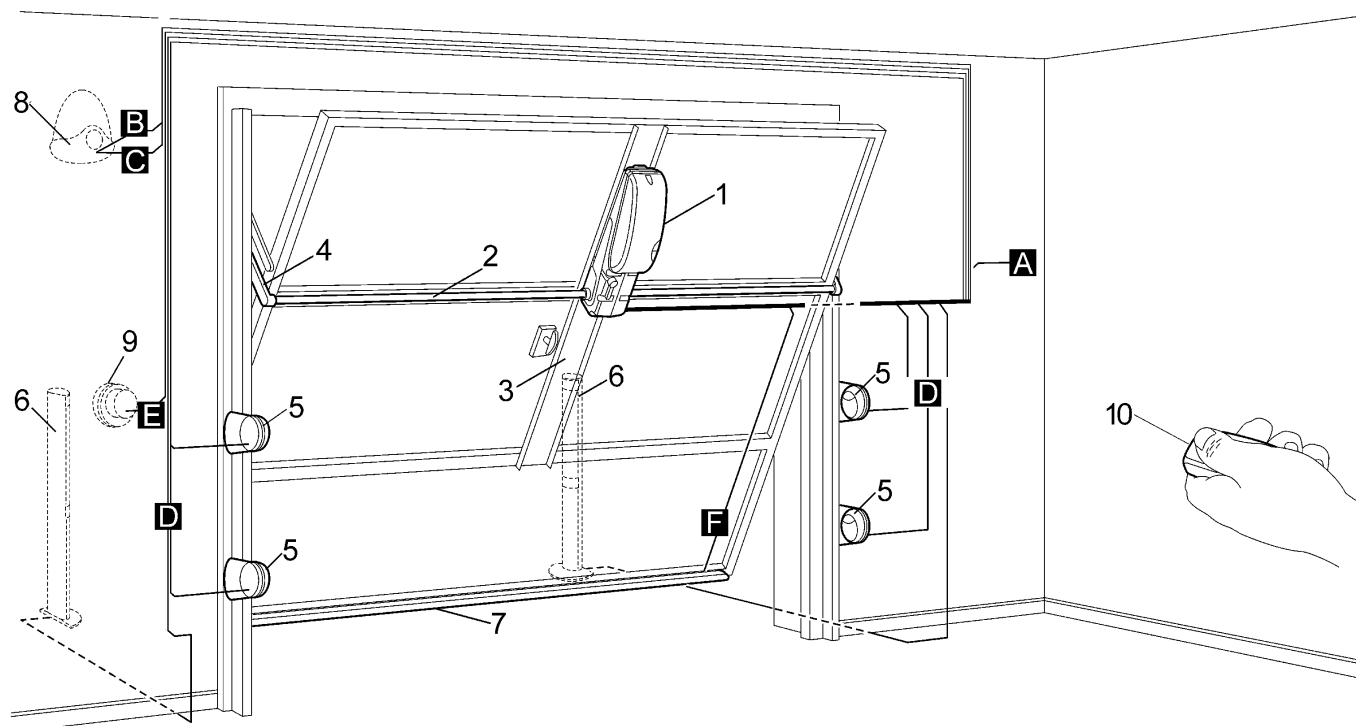


N° UDS.	TNKCE
A	1 Motorreductor TEN
B	4 Tuercas M6
C	2 Tuercas M8
D	2 Tuercas M10
E	1 Varilla de desbloqueo
F	2 Estribo de soporte del brazo
G	2 Casquillos adaptadores
H	2 Estribos de unión superior
I	2 Tornillos M10x30
L	2 Tornillos M8x110
M	4 Arandelas Ø8
N	4 Tornillos autorroscantes 5.3x19
O	4 Pasadores roscados M6x14
P	2 Tubo telescópico
Q	2 Brazos rectos con casquillo soldado
R	1 Telemando
S	1 Luz intermitente
T	2 Selectores
U	1 Placa de señalización

N° UDS.	TN2030	TN2020
A	1	Motorreductor TEN
B	2	Tuercas M6
C	2	Tuercas M8
E	1	Varilla de desbloqueo
L	2	Tornillos M8x110
M	2	Arandelas Ø8
O	2	Pasadores roscados M6x14

2.3) Instalación típica

En la Figura 3 se muestra una instalación típica de una automatización para puertas basculantes, realizada con el TEN.



2

- | | |
|--------------------------|--|
| 1 TEN | 7 Banda sensible |
| 2 Tubo cuadrado 20x20 | 8 Luz intermitente 12 V con antena incorporada |
| 3 Estribo de soporte | 9 Selector de llave |
| 4 Brazo telescópico | 10 Radiotransmisor |
| 5 Fotocélulas | |
| 6 Fotocélulas en columna | |

2.4) Listado de los cables

En la instalación típica de la figura 3 se indican los cables necesarios para las conexiones de los diferentes dispositivos; en la tabla 6 se indican las características de los cables.

⚠ Los cables utilizados para las conexiones de los diferentes dispositivos deben ser adecuados para el tipo de instalación; por ejemplo, se aconseja un cable tipo H03VV-F para instalación en interiores.

Tabla 6: listado de los cables

Conexión	Tipo de cable	Longitud máxima admitida
A - Línea eléctrica de alimentación	1 cavo (3 x 1,5 mm ²)	30 m (*)
B - Luz intermitente 12V	1 cavo (2 x 1 mm ²)	20 m
C - Antena	1 cable blindado (tipo RG58)	20 m (se aconseja: menos de 5 m)
D - Fotocélula transmisora	1 cavo (2 x 0,25 mm ²)	20 m
D - Fotocélula receptora	1 cavo (3 x 0,25 mm ²)	20 m
E - Selector de llave	2 cables (2 x 0,25 mm ²)	20 m
F - Banda sensible	1 cavo (2 x 0,25 mm ²)	20 m

Notas: (*) Si el cable de alimentación mide más de 30 m debe tener una sección más grande (por ejemplo 3 x 2,5mm²) y es necesaria una puesta a tierra de seguridad cerca de la automatización.

3) Instalación

⚠ La instalación del TEN debe ser efectuada por personal cualificado, respetando las leyes, normas y reglamentos y las prescripciones indicadas en estas instrucciones.

3.1) Controles preliminares

Antes de proceder con la instalación del TEN es necesario efectuar los siguientes controles:

- Controle que todo el material a utilizar esté en perfectas condiciones, sea adecuado para su uso y que respete las normas.
- Controle que el peso y las dimensiones de la hoja respeten los límites de utilización indicados en el capítulo "2.1 Límites de empleo"
- Controle, comparando con los valores indicados en el capítulo "8 Características técnicas", que la fricción estática (es decir la fuerza necesaria para poner en movimiento la hoja) sea inferior a la mitad del "Par máximo", y que la fricción dinámica (es decir la fuerza necesaria para mantener la hoja en movimiento) sea inferior a la mitad del "Par nominal"; se aconseja un margen del 50% sobre las fuerzas, porque las condiciones climáticas adversas podrían aumentar las fricciones.
- Controle que en toda la carrera de la puerta basculante, tanto de cierre como de apertura, no haya puntos de mucha fricción.
- Controle la robustez de los topes mecánicos y que no haya peligro de que la puerta se salga de las guías.
- Controle que la puerta esté bien equilibrada, es decir que no se mueva al dejarla detenida en cualquier posición.
- Controle que los puntos de fijación de los diferentes dispositivos (fotocélulas, botones, etc.) se encuentren en zonas protegidas de choques y que las superficies sean suficientemente firmes.
- Según el tipo de puerta (desbordante, no desbordante o articulada) controle que se pueda fijar el TEN en las medidas indicadas en las figuras 5, 6 ó 7 respectivamente.
- Si no hubiera espacio suficiente entre el brazo de soporte y la parte fija de la puerta, a fin de evitar el cruce, habrá que utilizar el accesorio "brazos curvos".
- Evite que los componentes de la automatización puedan quedar sumergidos en agua o en otras sustancias líquidas.

- No coloque los componentes del TEN cerca de fuentes de calor ni los exponga al fuego, podrían arruinarse y provocar desperfectos, incendio o situaciones peligrosas.
- Si hubiera un portillón de paso en la misma puerta, asegúrese de que no obstaculice la carrera normal e incorpore un sistema de enclavamiento oportuno.
- Conecte la central a una línea de alimentación eléctrica dotada de puesta a tierra de seguridad.
- La línea de alimentación eléctrica debe estar protegida por un dispositivo magnetotérmico y diferencial adecuado. En la línea de alimentación de la red es necesario incorporar un dispositivo de desconexión de la alimentación (con categoría de sobretensión III, es decir distancia entre los contactos de 3,5 mm como mínimo), o bien otro sistema equivalente, por ejemplo un contactor hembra con su contactor macho respectivo. Si el dispositivo de desconexión de la alimentación no está en proximidad de la automatización, hay que incorporar un sistema de bloqueo contra la conexión no intencional o no autorizada.

3.2) Instalación del motorreductor

La posición de instalación del TEN depende del tipo de puerta que se debe automatizar y de las limitaciones indicadas en el capítulo "2.1 Límites de empleo".

Nota: Para la instalación de 2 motores, realice el mismo procedimiento que para la instalación de un motor, efectuando la operación tal como indicado en la Figura 14.

1. Una vez definido el tipo, fije el estribo de soporte a la puerta, en posición perfectamente vertical (Figura 4), respetando las medidas indicadas.
 - 1.1 Para puertas basculantes desbordantes, el eje de rotación de los brazos deberá estar 50÷100 mm por debajo del brazo de soporte de la puerta (Figura 5).
 - 1.2 En las puertas basculantes no desbordantes, el eje de rotación de los brazos deberá estar exactamente alineado con el brazo de soporte de la puerta (Figura 6).
 - 1.3 En las puertas basculantes articuladas, el eje de rotación de los brazos deberá estar a 50÷100 mm por debajo de la bisagra de rotación de la puerta (Figura 7).

⚠ Si se utiliza el TEN dado vuelta habrá que programar la central de mando: a tal fin, consulte el párrafo "7.3.6 Programación del sentido de instalación del TEN".
2. Fije el motorreductor al estribo con los tornillos correspondientes (Figura 8).
3. Desbloquee el motorreductor girando la manija en el sentido antihorario (Figura 9).

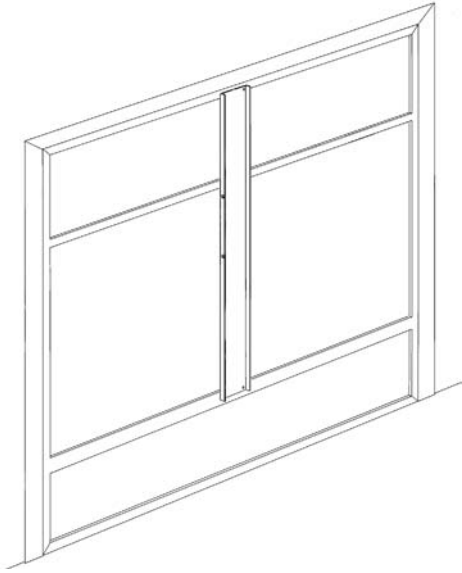
4. Fije firmemente los estribos de soporte laterales y controle que queden perfectamente alineados con el eje de rotación del motor; monte los casquillos adaptadores entregados. (Figura 10).

Según el espacio que hay entre el brazo de soporte y el bastidor fijo de la puerta, habrá que utilizar brazos rectos o bien brazos curvos.

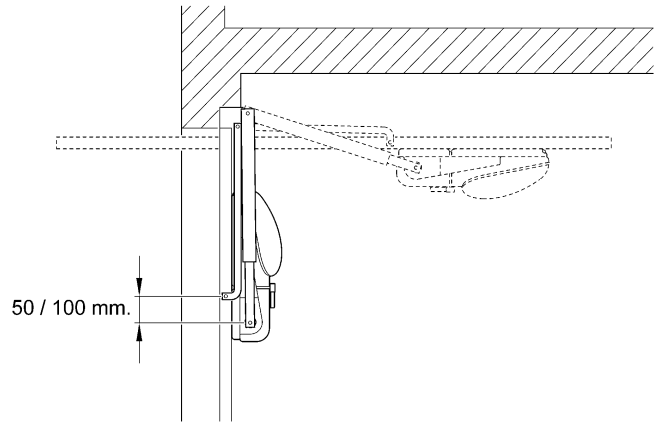
5. Fije el soporte superior al bastidor de la puerta (Figura 11): si ya estuviera montado, controle que sea adecuado para los brazos que se desean utilizar. Las medidas indicadas en la figura 11 son de carácter indicativo: pueden variar según las medidas de la puerta.
6. Introduzca el tubo de transmisión en el casquillo del brazo y en el eje del motor; corte el tubo a medida. (Figura 12)
7. Abra completamente la puerta y corte los brazos a medida, teniendo en cuenta que, con la puerta cerrada, queden dentro 70 mm como mínimo (Figura 13). Si la longitud no fuera suficiente, coloque nuevamente el soporte superior o utilice brazos más largos.
8. Introduzca los brazos en las guías correspondientes y controle que la puerta se deslice libremente sin problemas.

Controle nuevamente el equilibrio: la puerta quedará bien equilibrada cuando, al detenerla en cualquier posición, esta no se mueva. De ser necesario, regule bien los sistemas de equilibrio.

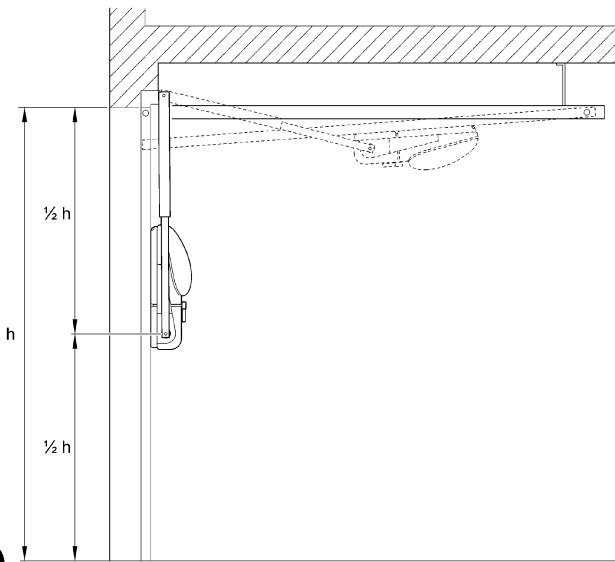
4



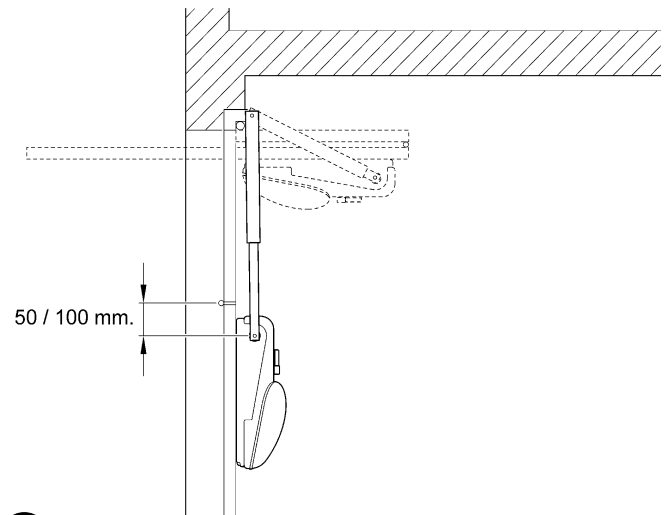
5



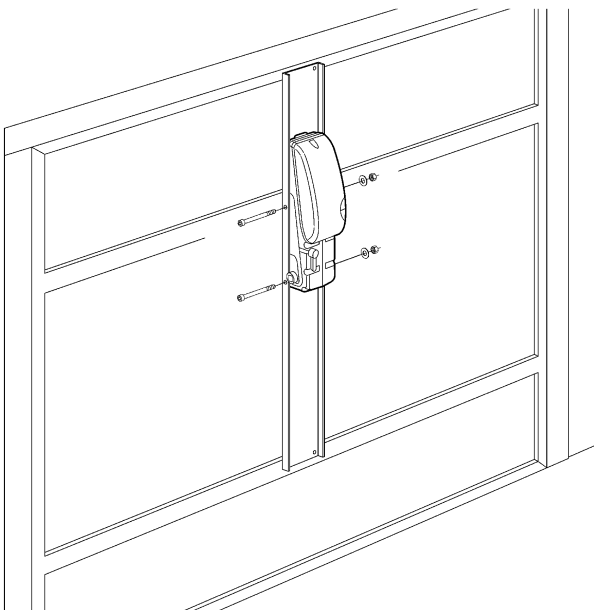
6



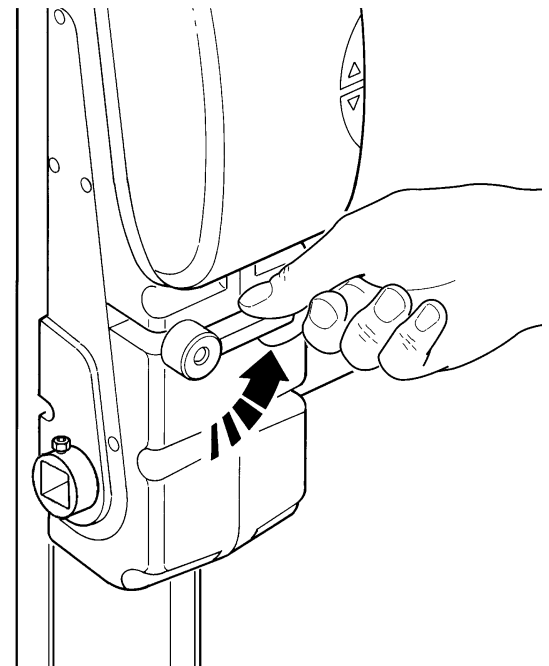
7

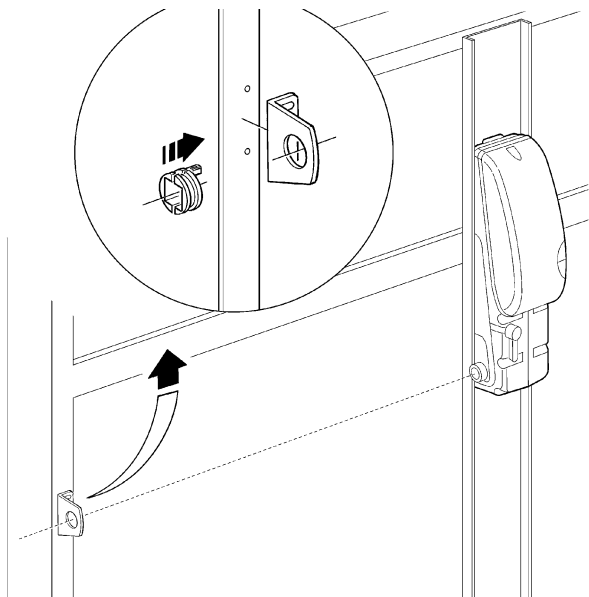


8

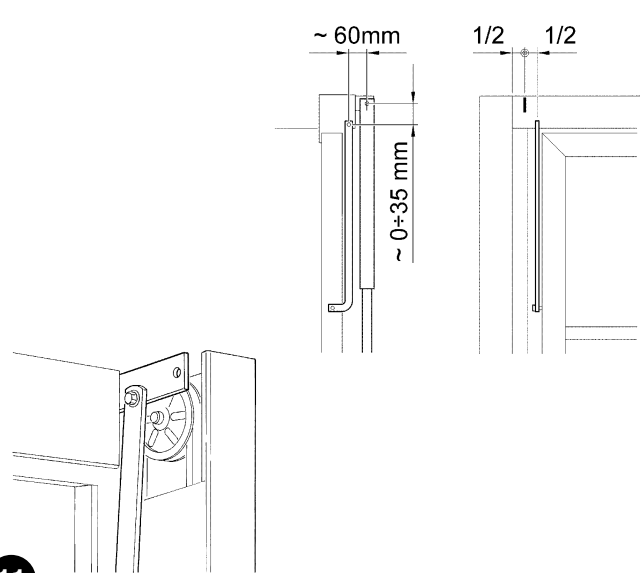


9

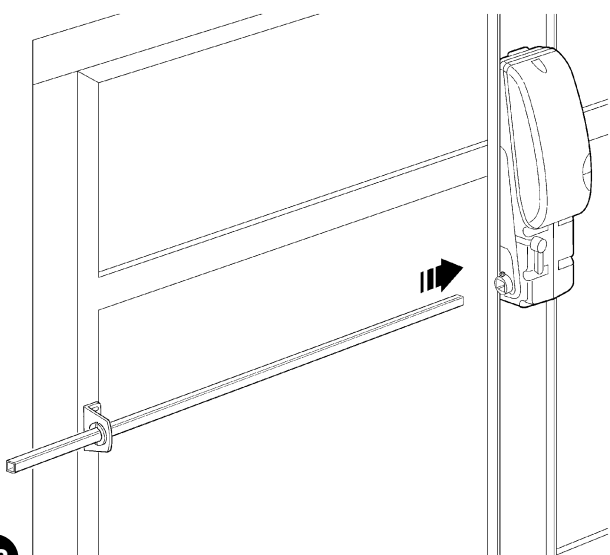




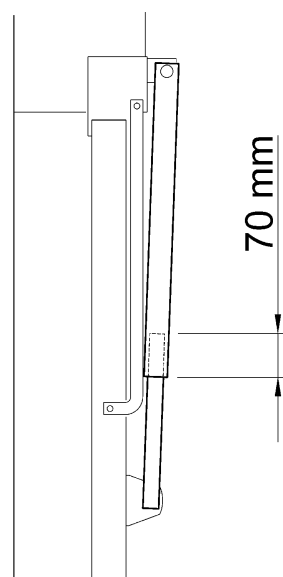
10



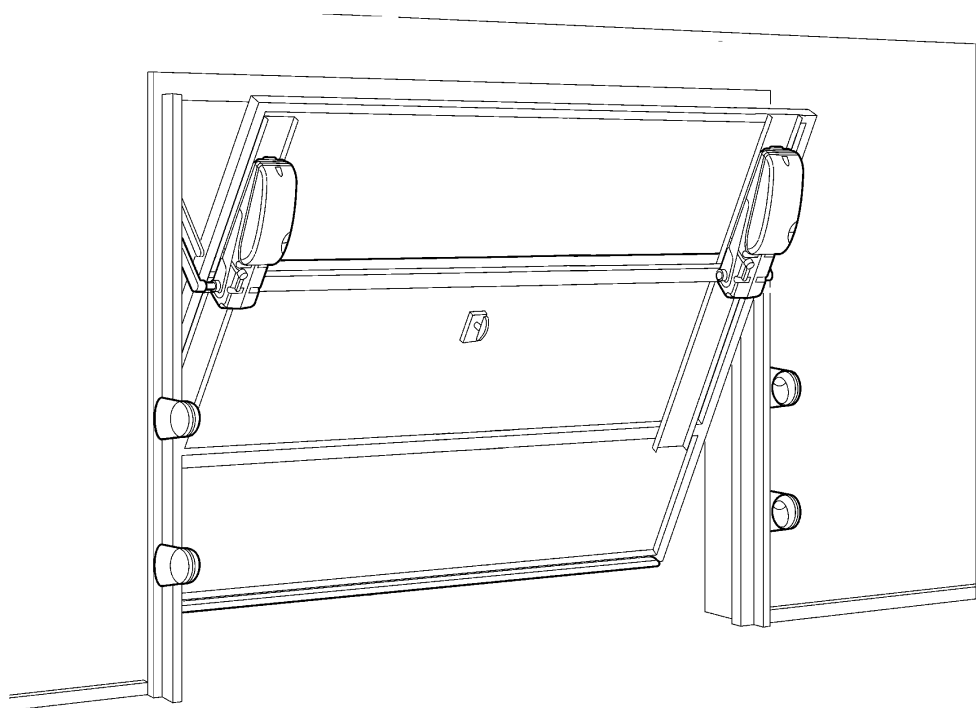
11



12



13



14

E

3.3) Regulación de los fines de carrera

Con el motorreductor desbloqueado, siga estos pasos: quite el cárter lateral, desenroscando los tornillos (Figura 15).

Fin de carrera de apertura: (Figura 16)

1. Abra completamente la puerta
2. Gire la leva interior en el sentido antihorario hasta sentir el clic del microinterruptor.
3. Apriete con fuerza el tornillo de fijación con una llave hexagonal

Fin de carrera de cierre: (Figura 17)

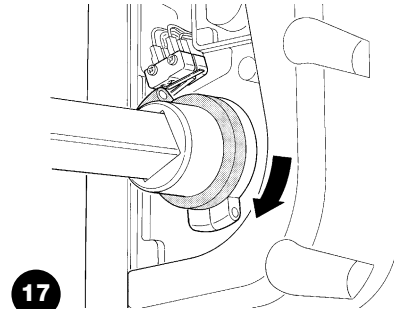
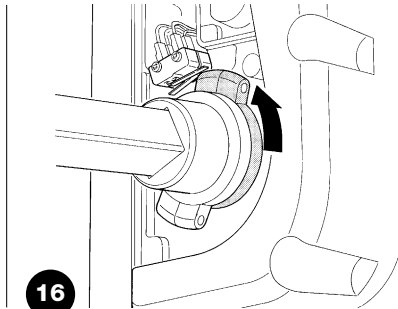
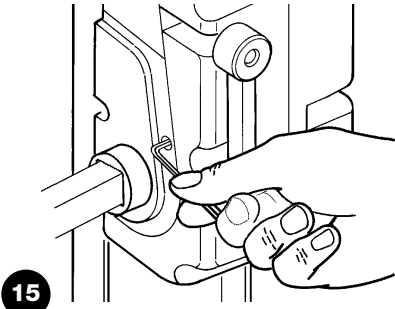
1. Cierre casi completamente la puerta (deténgala a unos 2 cm antes del tope de parada)

2. Gire la leva exterior en el sentido horario hasta sentir el clic del microinterruptor.

3. Apriete con fuerza el tornillo de fijación con una llave hexagonal

⚠ La maniobra de cierre no termina por la activación sola del fin de carrera, sino por la combinación del fin de carrera - tope de parada.

Cierre el cárter lateral, colocando bien los cables y las juntas.



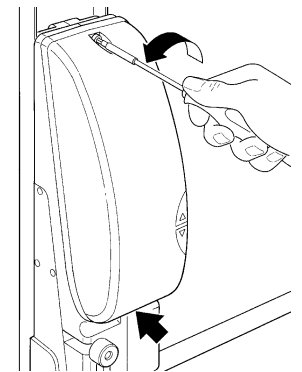
3.4) Instalación de los diferentes dispositivos

Instale los demás dispositivos respetando las instrucciones respectivas. Controle la descripción de las conexiones eléctricas en el párrafo "3.5.1" y los dispositivos que pueden conectarse a TEN en la figura 20.

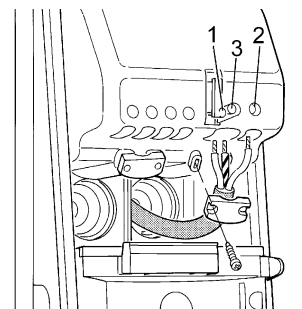
3.5) Conexiones eléctricas

⚠ Todas las conexiones eléctricas deben efectuarse con la instalación sin tensión.

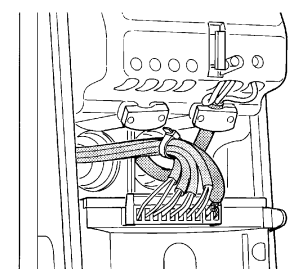
1. Para efectuar las conexiones eléctricas, desenrosque los tornillos de la tapa (Figura 18)
2. Quite las dos membranas de goma que tapan los dos orificios para el paso de los cables. Recorte un orificio en la membrana e introduzca el cable de alimentación por la membrana y por el orificio derecho. Recorte un orificio en la membrana y pase los demás cables hacia los diferentes dispositivos por la membrana y por el orificio izquierdo. Deje los cables 20÷30 cm más largos de lo necesario. Véase la tabla 6 para el tipo de cable.
3. Conecte el cable de alimentación de red directamente a los bornes 1 (fase), 2 (neutro) y 3 (tierra); bloquee el cable con el sujetador, tal como indicado en la Figura 19
4. Conecte los demás cables según el esquema de la figura 20. Para mayor comodidad, los bornes pueden extraerse.
5. Una vez realizadas las conexiones, recoja los cables y sujételos con abrazaderas (Figura 21).



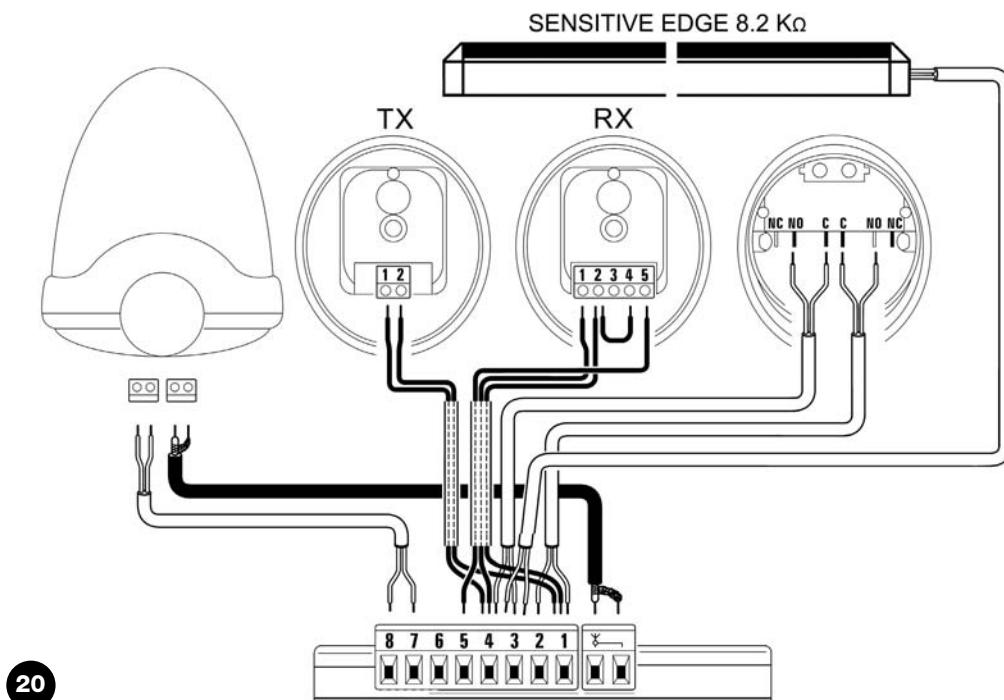
18



19




21



20

3.5.1) Descripción de las conexiones eléctricas

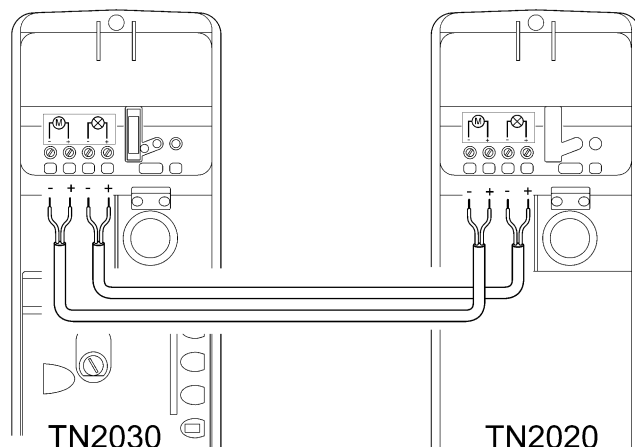
En este párrafo se describen brevemente las conexiones eléctricas: para más detalles, véase también 7.3 Instalación y desinstalación de dispositivos.

Nº	Tipo de borne	Servicio o dispositivo conectado
	Antena	entrada de conexión de la antena para el radioreceptor. La antena está incorporada en LUCY B, como alternativa es posible utilizar una antena exterior o dejar el trozo de cable presente en el borne que funcione como antena.
1-2	Paso a paso	Entrada para dispositivos que accionan el movimiento; es posible conectar contactos tipo "normalmente Abierto" NA.
3- 4	Stop	Entrada para los dispositivos que bloquean o detienen la maniobra que se está ejecutando; con soluciones oportunas en la entrada pueden conectarse contactos tipo "Normalmente Cerrado" NC, "Normalmente Abierto" NA, o un dispositivo de resistencia constante 8.2KΩ. Para más informaciones sobre STOP, consulte el párrafo "7.3.2 Entrada STOP".
1-5	Fotocélula	Entrada para dispositivos de seguridad como las fotocélulas. Se accionan durante el cierre, invirtiendo la maniobra. Es posible conectar contactos "normalmente cerrados" NC. Para más informaciones sobre FOTOCÉLULA, consulte el párrafo "7.3.2 Entrada FOTOCÉLULA".
4-6	Fototest o electrocerradura	Cada vez que se activa una maniobra se controlan todos los dispositivos de seguridad y sólo si el test es positivo comienza la maniobra. Esto es posible utilizando un tipo de conexión especial; los transmisores de las fotocélulas "TX" están alimentados por separado de los receptores "RX". Para más informaciones sobre la conexión, véase el párrafo "7.3.2 Entrada FOTOCÉLULA". Para la función electrocerradura, véase el párrafo "7.3.3 Electrocerradura"
7-8	Luz intermitente	En esta salida es posible conectar una luz intermitente NICE "LUCY B" con una bombilla de 12V 21W tipo automóvil. Durante la maniobra destella con una frecuencia de 0,5s encendida y 0,5s apagada.

3.5.2) Conexión eléctrica del segundo motor

Si la instalación prevé el uso de 2 motores, un TN2030 y un TN2020, habrá que realizar la conexión eléctrica del segundo motor, tal como indicado a continuación.

1. En el motorreductor TN2030 realice las mismas conexiones previstas para la instalación de un solo motor.
2. Entre la central de mando del TN2030 y la regleta del TN2020 conecte los cables del "segundo motor" y la "luz de cortesía del segundo motor", tal como se muestra en la Figura 22, respetando las polaridades indicadas.



22

4) Controles finales y puesta en marcha

Antes de comenzar el control y de poner en marcha la automatización, se aconseja colocar la puerta en la mitad de su carrera para que pueda abrirse o cerrarse libremente.

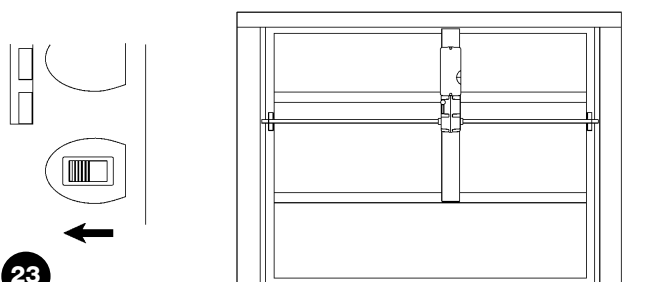
4.1) Selección del tipo de instalación

Según el tipo de instalación, es decir con 1 motor o con 2 motores, es necesario configurar el selector incorporado en la central.

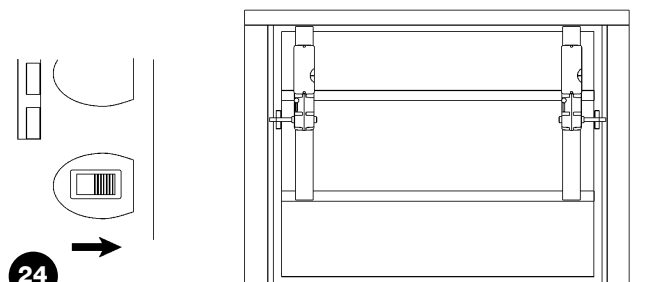
Si en la instalación se debe utilizar 1 motor, desplace el selector hacia la izquierda, como se muestra en la Figura 23

Si en la instalación se deben utilizar 2 motores, desplace el selector hacia la derecha, como se muestra en la Figura 24.

⚠ No regule el selector para 2 motores cuando haya instalado un solo motor; el funcionamiento será incorrecto y se podría romper el motor.



23



24

4.2) Conexión de la alimentación

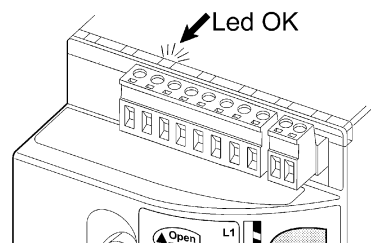
⚠ La conexión de la alimentación al TEN debe ser hecha por personal experto y cualificado que posea los requisitos exigidos y respetando las normas, leyes y reglamentos.

Ni bien se conecta la tensión al TEN se aconseja realizar algunos controles sencillos:

1. Controle que el led OK destelle regularmente con una frecuencia de un destello por segundo (Figura 25).
2. Controle que la luz intermitente y luz de cortesía estén apagadas.

Si así no fuera, se aconseja apagar inmediatamente la alimentación de la central y controlar más detenidamente las conexiones eléctricas.

Para más informaciones útiles para la búsqueda y el diagnóstico de las averías, consulte el capítulo "7.6 Solución de los problemas".



25

4.3) Aprendizaje de las posiciones de apertura y cierre de la puerta

Es necesario hacer que la central reconozca las posiciones de apertura y cierre de la puerta; en esta etapa se mide la carrera de la puerta desde el tope de cierre hasta fin de carrera de apertura; dicha medición es necesaria para calcular los puntos de deceleración y el punto de apertura parcial. Además de las posiciones, en esta etapa se detecta y memoriza la configuración de la entrada STOP y si existe o no existe la conexión en modalidad "Fototest" de la entrada FOTOCÉLULA. (véase el párrafo "7.3.2 Fotocélulas") Durante esta etapa la central memoriza la fuerza necesaria para los movimientos de apertura y cierre.

1. Pulse y mantenga pulsados los botones [▼] y [Set] (Figura 26).
2. Suelte los botones cuando comience la maniobra (transcurridos unos 3s)
3. Espere a que la central concluya el aprendizaje: cierre, apertura y cierre de la puerta.
4. Pulse el botón [OPEN] para ejecutar una maniobra completa de apertura.
5. Pulse el botón [CLOSE] para ejecutar el cierre.

Si así no fuera, se aconseja apagar inmediatamente la alimentación de la central y controlar más detenidamente las conexiones eléctricas. Si al concluir el aprendizaje los LEDs L2 y L3 destellan, significa que hay un error; véase el párrafo "7.6 Solución de los problemas". Durante dichas maniobras la central memoriza la fuerza necesaria para los movimientos de apertura y cierre.

La etapa de aprendizaje de las posiciones de apertura y cierre de la puerta y de la configuración de las entradas STOP y FOTOCÉLULA puede repetirse en cualquier momento, incluso después de la instalación (por ejemplo si se desplaza una leva de los fines de carrera); es suficiente repetirla desde el punto 1.



26

4.4) Control del movimiento de la puerta

Después del aprendizaje de las posiciones se aconseja efectuar algunas maniobras para verificar el movimiento correcto de la puerta.

1. Pulse el botón [OPEN] para accionar una maniobra de "Abrir"; controle que la puerta se abra normalmente sin cambios de velocidad; solamente cuando la puerta esté entre 15 y 5 cm del fin de carrera de apertura, deberá desacelerar y detenerse por la activación del fin de carrera.
2. Pulse el botón [CLOSE] para accionar una maniobra de "Cerrar"; controle que la puerta se cierre con un arranque lento, es decir que se produzca el cambio de velocidad (sólo si la función está activa), y por último, cuando la puerta esté entre 70 y 50 cm del fin de carrera de cierre, deberá desacelerar y detenerse por la activación del fin de carrera de cierre.
3. Durante las maniobras compruebe que la luz intermitente destelle con una frecuencia de 0,5s encendida y 0,5s apagada.
4. Realice varias maniobras de apertura y cierre para controlar si hay defectos de montaje y regulación u otras anomalías, como por ejemplo, puntos de mayor fricción.
5. Controle que la fijación del motorreductor TEN, de los brazos y de los estribos sea firme y adecuadamente resistente también durante las aceleraciones o deceleraciones violentas del movimiento de la puerta.

4.5) Funciones predefinidas

La central de control del TEN dispone de algunas funciones programables; tales funciones se regulan en fábrica con una configuración que debería satisfacer la mayoría de las automatizaciones; sin embargo, las funciones pueden modificarse en cualquier momento mediante un procedimiento de programación oportuno; a tal fin véase el párrafo "7.2 Programaciones".

4.6) Radiorreceptor

Para el accionamiento a distancia del TEN, en la central de control hay incorporado un radiorreceptor que funciona en la frecuencia de 433.92 MHz compatible con los siguientes tipos de transmisores (Tabla 7):

Dado que el tipo de codificación es diferente, el primer transmisor memorizado también determina el tipo de aquellos que se podrán memorizar posteriormente. Pueden memorizarse hasta 160 transmisores.

Tabla 7: transmisores

Codificación	Modelo
FLO	FLO1 - FLO2 - FLO4 VERY VE
FLOR	FLOR1 - FLOR2 - FLOR4 VERY VR ERGO1 - ERGO4 - ERGO6 PLANO1 - PLANO4 - PLANO6 - NICEWAY (toda la línea)
SMILO	SM2 - SM4

4.7) Memorización de los transmisores

Cada transmisor es reconocido por el receptor mediante un "código" que es diferente de aquel de cualquier otro transmisor. Por eso se requiere una etapa de "memorización" en la que se prepara al receptor para que reconozca cada transmisor. La memorización de los transmisores puede realizarse en 2 modos:

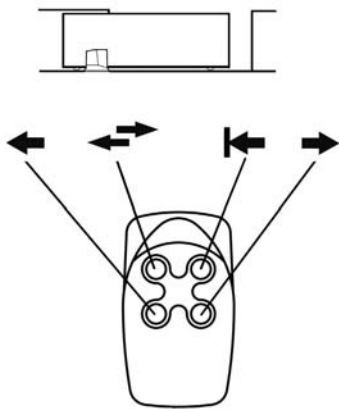
Tabla 8: memorización en Modo I

Botón T1	Mando "Paso a Paso"
Botón T2	Mando "Apertura parcial"
Botón T3	Mando "Abrir"
Botón T4	Mando "Cerrar"

Nota: los transmisores monocanal disponen del botón T1 solo, los transmisores bicanal disponen de los botones T1 y T2 solos.

Modo I: en este modo la función de los botones del transmisor es fija y, en la central, a cada botón corresponde el mando indicado en la Tabla 8; se lleva a cabo una sola etapa para cada transmisor del que se memorizan todos los botones; durante esta fase no interesa qué botón se tiene pulsado y se ocupa un solo espacio en la memoria.

Por lo general, en **Modo I** un transmisor puede accionar una sola automatización, véase, por ejemplo, la Figura 27.



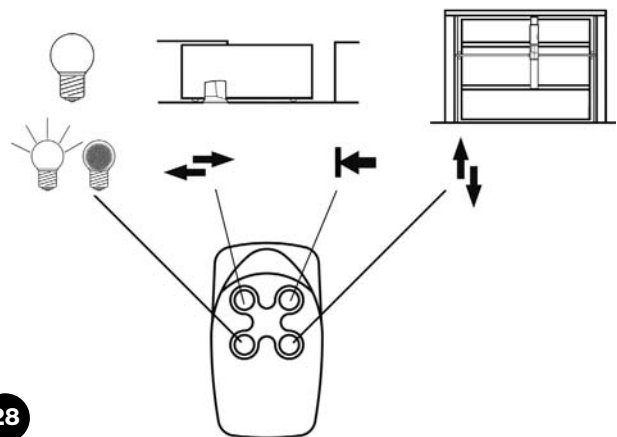
27

Tabla 9: mandos disponibles en Modo II

Mando 1	"Paso a Paso"
Mando 2	"Apertura para paso de peatones"
Mando 3	"Abrir"
Mando 4	"Cerrar"

Modo II: en este modo cada botón del transmisor puede asociarse a uno de los 4 mandos posibles de la central indicados en la Tabla 9; para cada etapa se memoriza un botón solo, es decir, aquel pulsado durante la memorización. En la memoria se ocupa un lugar por cada botón memorizado.

En **Modo II** un transmisor con varios botones puede accionar varias automatizaciones, véase, por ejemplo, la Figura 28.

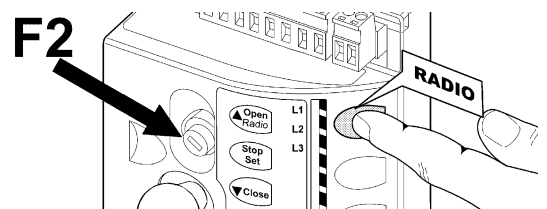


28

⚠ Puesto que el procedimiento de memorización cuenta con un tiempo máximo de 10s, es necesario leer antes las instrucciones indicadas en los siguientes párrafos y después ejecutarlas.

⚠ Los transmisores deben memorizarse y borrarse antes de los primeros 10 segundos después de haber conectado la alimentación. En dicho intervalo de tiempo el botón de la central [▲/OPEN/RADIO] está dedicado a la memorización y borrado del transmisor. Transcurridos 10 segundos a partir del último destello del led L1 o de la última presión del botón, el botón está dedicado a las funciones de mando [OPEN] y de programación [▲]. Para señalar el final del intervalo de tiempo dedicado a la memorización de los transmisores, la luz de cortesía destella una vez.

4.7.1) Memorización en Modo I



29







Tabla 10: memorización de un transmisor en modo I

	Ejemplo
1. Apague el TEN y después de 3 segundos enciéndalo (por ejemplo quitando F2) (Figura 29)	OFF → 3s → ON
2. Antes de transcurridos 10 seg. del encendido, pulse y mantenga pulsado el botón RADIO en la central (durante 4 seg. como mínimo) (Figura 29)	4s
3. Suelte el botón cuando se encienda el led "radio" L1	L1
4. Antes de transcurridos 10 seg. pulse durante 3 seg. como mínimo cualquier botón del transmisor que se ha de memorizar.	3s
5. Si la memorización se ha ejecutado correctamente, el led radio en la central destellará 3 veces.	x3

Si hubiera otros transmisores a memorizar, repita el punto 4 dentro de 10s.

La memorización concluye si durante 10 segundos no se reciben códigos nuevos.

4.7.2) Memorización en Modo II

Tabla 11: memorización del botón de un transmisor en modo II		Ejemplo
1.	Apague el TEN y, después de transcurridos 3 segundos, enciéndalo (por ejemplo quitando F2)	 3s 
2.	Antes de transcurridos 10 seg. del encendido, pulse el botón RADIO en la central una cantidad de veces equivalente al mando deseado, según la tabla 9 (1=Paso a paso; 2=Abrir parcial; 3=Abrir; 4=Cerrar)	 1...4
3.	Controle que el led radio en la central emita una cantidad de destellos (repetidos después de una breve pausa) equivalente al mando deseado	 1...4
4.	Antes de transcurridos 10s pulse, durante 3 seg. como mínimo, el botón deseado del transmisor que se ha de memorizar	 3s
5.	Si la memorización se ha ejecutado correctamente, el led en el receptor destellará 3 veces.	 x3





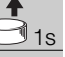

Si hubiera otros transmisores a memorizar para el mismo mando, repita el punto 3 dentro de 10s.

La memorización concluye si durante 10 segundos no se reciben transmisores nuevos para memorizar.

4.7.3) Memorización “cerca del receptor”

Es posible memorizar un nuevo transmisor sin tener que utilizar directamente el botón del receptor; a tal fin es necesario tener un telemando memorizado y que funcione. El nuevo transmisor será memorizado con las mismas características que aquel memorizado; por consiguiente, si el primer transmisor está memorizado en modo I, el nuevo transmisor también se memorizará en modo I y se podrá pulsar cualquier botón de los transmisores. Por el contrario, si el primer transmisor está memorizado en Modo II, también el nuevo transmisor se memorizará en Modo II y es importante pulsar en el primer transmisor el botón relativo al mando deseado, y en el segundo transmisor el botón a asociar a ese mando.






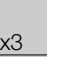





⚠ La memorización “cerca del receptor” puede realizarse en todos los receptores que se encuentran en el radio de alcance del transmisor memorizado; por consiguiente, es necesario mantener alimentado sólo el receptor que debe memorizarse.

Tabla 12: memorización de un transmisor cerca del receptor		Ejemplo
1.	Con los dos transmisores situados cerca del receptor, ejecute los siguientes pasos:	
2.	Pulse durante 5s como mínimo el botón en el nuevo transmisor; después suéltelo.	 5s 
3.	Pulse lentamente 3 veces el botón en el transmisor memorizado.	 1s  1s  1s
4.	Pulse lentamente 1 vez el botón en el transmisor nuevo.	 1s

Ahora el nuevo transmisor será reconocido por el receptor y adquirirá las características que tenía el que ya estaba memorizado.

Si hubiera que memorizar otros transmisores, repita todos los pasos para cada transmisor nuevo.

4.7.4) Borrado de los transmisores

Tabla 13: borrado de todos los transmisores		Ejemplo
1.	Apague el TEN y después de 3 segundos enciéndalo (por ejemplo quitando F2)	 3s 
2.	Antes de transcurridos 10 seg. del encendido pulse y mantenga pulsado el botón RADIO en la central	
3.	Espere a que el led radio se encienda, después espere a que se apague y después a que destelle 3 veces	   x3
4.	Suelte el botón RADIO exactamente durante el 3° destello	   
5.	Si el procedimiento se concluye correctamente, transcurrido un instante, el led destellará 5 veces.	 x5

5) Ensayo y puesta en servicio

El ensayo es la etapa más importante en la realización de la automatización a fin de garantizar la seguridad máxima. El ensayo también puede servir como control periódico de los dispositivos que componen la automatización.

⚠ El ensayo de toda la instalación debe ser efectuado por personal cualificado y experto que deberá establecer los ensayos previstos de acuerdo con los riesgos presentes y controlar que se respeten las leyes, normativas y reglamentos, especialmente todos los requisitos de la norma EN 12445 que establece los métodos de ensayo de las automatizaciones para cancelas y puertas.

5.1) Ensayo

Cada componente de la automatización, por ejemplo las bandas sensibles, fotocélulas, parada de emergencia, etc., exige un fase de ensayo específica; por dicha razón se deberán seguir los diferentes procedimientos indicados en los manuales de instrucciones respectivos. Para el ensayo del TEN ejecute la siguiente secuencia de operaciones:

1. Controle que se hayan respetado estrictamente las indicaciones dadas en este manual y especialmente aquellas del capítulo "1 Advertencias";
2. Desbloquee la puerta girando la manija de desbloqueo en el sentido antihorario (Figura 48) de cada motor; controle que se pueda abrir y cerrar manualmente la puerta con una fuerza no superior a 225N, actuando en el punto previsto para la maniobra manual.
3. Bloquee los motores a la puerta girando la manija de desbloqueo en el sentido horario (Figura 49).
4. Utilizando los dispositivos de mando o de parada previstos (selector de llave, botones de mando o transmisores), efectúe ensayos de apertura, cierre y parada de la puerta y compruebe que el comportamiento sea el previsto.
5. Conviene efectuar diferentes ensayos para comprobar el deslizamiento de la puerta y los posibles defectos de montaje o de regulación, así como la presencia de puntos de fricción.

6. Controle uno por uno el funcionamiento correcto de todos los dispositivos de seguridad incorporados en la instalación (fotocélulas, bandas neumáticas, parada de emergencia, etc.), especialmente cada vez que un dispositivo se acciona, el led OK en la central debe emitir 2 destellos más rápidos, confirmando que la central reconoce el evento.
7. Para controlar las fotocélulas y especialmente para que no haya interferencias con otros dispositivos, pase un cilindro de 5 cm de diámetro y 30 cm de longitud por el eje óptico, primero cerca del TX, después cerca del RX y por último por el centro entre los dos puntos, y controle que el dispositivo siempre se accione pasando del estado activo al estado de alarma y viceversa. Por último, controle que provoque en la central la acción prevista; por ejemplo: en la maniobra de cierre provoca la inversión del movimiento.
8. Si las situaciones peligrosas causadas por el movimiento de la puerta se han prevenido limitando la fuerza de impacto, hay que medir la fuerza de acuerdo con la norma EN 12445. Si la regulación de la "Velocidad" y el control de la "Fuerza del motor" se utilizan como una ayuda para el sistema para reducir la fuerza de impacto, pruebe y busque las regulaciones que ofrezcan los mejores resultados.

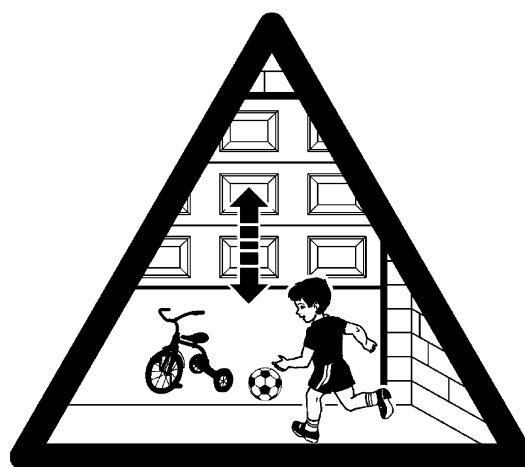
5.2) Puesta en servicio

La puesta en servicio puede llevarse a cabo sólo después de haber efectuado correctamente todas las etapas de ensayo de TEN y de los demás dispositivos montados. No está admitida la puesta en servicio parcial o en situaciones "precarias".

1. Realice y conserve durante 10 años como mínimo el expediente técnico de la automatización que deberá estar formado de los siguientes componentes como mínimo: dibujo de conjunto de la automatización, esquema de las conexiones eléctricas, análisis de los riesgos y soluciones adoptadas, declaración de conformidad del fabricante de todos los dispositivos utilizados (para el TEN utilice la Declaración de conformidad CE adjunta); copia del manual de instrucciones de uso y del plan de mantenimiento de la automatización.
2. Aplique sobre la puerta una placa con los siguientes datos: tipo de automatización, nombre y dirección del fabricante (responsable de la "puesta en servicio"), número de matrícula, año de fabricación y marcado "CE".
3. Fije de manera permanente y en proximidad de la puerta una etiqueta o una placa que indique las operaciones para el desbloqueo y la maniobra manual.
4. Aplique de forma permanente sobre la puerta una etiqueta o una placa con esta imagen (altura mínima 60 mm). (Figura 30)
5. Prepare y entregue al dueño de la automatización la declaración de conformidad correspondiente .

6. Prepare y entregue al dueño el "Manual de instrucciones y advertencias para el uso de la automatización".
7. Prepare y entregue al dueño el plan de mantenimiento de la automatización (que debe incluir todas las prescripciones sobre el mantenimiento de cada dispositivo).
8. Antes de poner en funcionamiento la automatización, informe adecuadamente y por escrito al dueño (por ejemplo en el manual de instrucciones y advertencias para el uso de la automatización) acerca de los peligros y los riesgos presentes.

30



6) Mantenimiento y desguace

En este capítulo se mencionan las informaciones para realizar el plan de mantenimiento y el desguace del TEN.

6.1) Mantenimiento

Para mantener el nivel de seguridad constante y para garantizar la duración máxima de toda la automatización, es necesario efectuar un mantenimiento habitual.

⚠ El mantenimiento debe efectuarse respetando las prescripciones en materia de seguridad de este manual y según las leyes y normativas vigentes.

Para los demás dispositivos que no pertenecen al TEN, respete las instrucciones mencionadas en los planes de mantenimiento correspondientes.

1. TEN requiere un mantenimiento programado antes de transcurri-

dos 6 meses como máximo o 4.000 maniobras a partir del mantenimiento anterior:

2. Desconecte cualquier fuente de alimentación eléctrica.
3. Compruebe las condiciones de todos los materiales que componen la automatización, controlando especialmente los fenómenos de corrosión y oxidación de las piezas de la estructura; sustituya las piezas que no sean lo suficientemente seguras.
4. Controle el desgaste de las piezas móviles: brazos telescópicos, cables de los contrapesos y todas las piezas de la hoja, sustituya las piezas gastadas.
5. Conecte las fuentes de alimentación eléctrica y ejecute todos los ensayos y controles previstos en el párrafo "5.1 Ensayo".

6.2) Desguace

Al igual que para la instalación, también las operaciones de desguace, al final de la vida útil de este producto, deben ser efectuadas por personal cualificado. Este producto está formado de diversos tipos de materiales, algunos pueden reciclarse y otros deben ser eliminados. Infórmese sobre los sistemas de reciclaje o de eliminación del producto respetando las normas locales vigentes para este tipo de categoría de producto.

⚠ Algunas partes del producto pueden contener sustancias contaminantes o peligrosas; si se abandonaran en el medio ambiente podrían ser perjudiciales para el ambiente y para la salud de las personas.

Como indicado por el símbolo de la Figura 31, está prohibido arrojar este producto en los residuos domésticos. Para la eliminación, realice la recogida selectiva, según los métodos previstos por las

normas locales, o bien entregue el producto al vendedor cuando compre un nuevo producto equivalente.



Las reglas locales pueden prever sanciones importantes en el caso de eliminación abusiva de este producto.

1. Desconecte la alimentación eléctrica de la automatización.
2. Desmonte todos los dispositivos y accesorios, siguiendo el procedimiento en el orden inverso a aquel descrito en el capítulo "3 Instalación".
3. Separe dentro de lo posible las partes que puedan o deban ser recicladas o eliminadas de otro modo, por ejemplo las piezas metálicas de aquellas de plástico, las tarjetas electrónicas, baterías, etc.
4. Separe y entregue los materiales a las empresas autorizadas para la recuperación y eliminación de residuos.

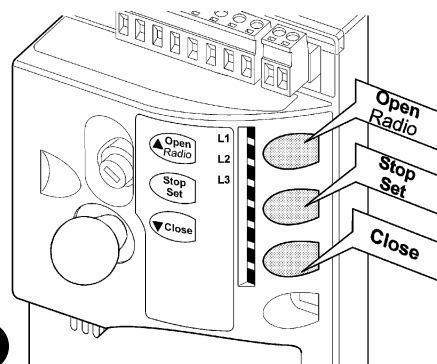
7) Otras informaciones

En este capítulo se tratarán las posibilidades de programación, personalización, diagnóstico y búsqueda de las averías sobre TEN.

7.1) Botones de programación

En la central de control del TEN hay 3 botones que pueden utilizarse para el accionamiento de la central durante los ensayos o para las programaciones (Figura 32).

▲ OPEN RADIO	Antes de los primeros 10 segundos del encendido, ejecute la función "RADIO" para poder memorizar y borrar los transmisores a utilizar con el TEN. Después de este intervalo de tiempo el botón ejecuta la función "OPEN", permitiendo accionar la apertura de la puerta o desplazar hacia arriba el punto de programación.
STOP SET	SET El botón "STOP" permite detener la maniobra; al pulsarlo durante más de 5 segundos, permite entrar en la programación.
▼ CLOSE	El botón "CLOSE" permite accionar el cierre de la puerta o desplazar hacia abajo el punto de programación.



⚠ Durante la maniobra, independientemente que sea de apertura o de cierre, todos los botones ejecutan la función de STOP, deteniendo la carrera del motor.

7.2) Programaciones

En la central de control del TEN hay disponibles algunas funciones programables; las funciones se regulan con los 3 botones situados en la central: **[▲]** **[▼]** y **[Set]** y se visualizan mediante 3 leds: **L1**, **L2** y **L3**.

Las funciones programables disponibles en el TEN están dispuestas en 2 niveles:

Primer nivel: funciones regulables en modo ON-OFF (activo o desactivado); en este caso los leds **L1**, **L2** y **L3** indican una función; si están encendidos, la función está activa, si están apagados, la función está desactivada; véase la Tabla 14.

Segundo nivel: parámetros regulables en una escala de valores (valores de 1 a 3); en este caso cada led **L1**, **L2** y **L3** indican el valor regulado entre los 3 valores posibles; véase la Tabla 16.

7.2.1) Funciones de primer nivel (funciones ON-OFF)

Tabla 14: lista de las funciones programables: primer nivel


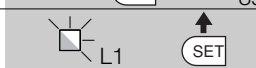
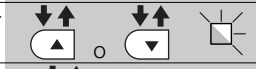
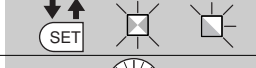

Nº	Descripción	Ejemplo
L1	Velocidad de cierre	Esta función permite seleccionar la velocidad del motor durante el cierre entre 2 niveles: "rápida", "lenta". Si la función está desactivada, la velocidad es "lenta".
L2	Velocidad de apertura	Esta función permite seleccionar la velocidad del motor durante la apertura entre 2 niveles: "rápida", "lenta". Si la función está desactivada, la velocidad es "lenta".
L3	Cierre automático.	Esta función permite un cierre automático de la puerta después del tiempo de pausa programado, de fábrica el Tiempo de Pausa está configurado en 30 segundos, pero puede modificarse en 15 ó 60 segundos (véase la tabla 16). Si la función está desactivada, el funcionamiento es "semiautomático".

Durante el funcionamiento normal del TEN los leds **L1**, **L2** y **L3** están encendidos o apagados según el estado de la función que éstos representan, por ejemplo L3 está encendido si la función "Cierre automático" está activa. **L1** también muestra el estado de la función "radio" en los primeros 10" a partir del encendido..

N.B.: si se configura la velocidad "rápida" del motor en la apertura y en el cierre y la fuerza del motor es "alta", se deshabilitan las desaceleraciones (excluida la desaceleración durante el cierre cercana al tope).

7.2.2 Programación de primer nivel (funciones ON-OFF)

Todas las funciones del primer nivel están configuradas de fábrica en "OFF", pero pueden cambiarse en cualquier momento, tal como indicado en la Tabla 15. Tenga cuidado al efectuar este procedimiento porque hay un tiempo máximo de 10s entre que se pulsa un botón y el otro, en caso contrario, el procedimiento termina automáticamente, memorizando las modificaciones hechas hasta ese momento.

Tabla 15: cambio de las funciones ON-OFF		Ejemplo
1.	Pulse y mantenga pulsado el botón [Set] durante unos 3s	
2.	Suelte el botón [Set] cuando el led L1 comienza a destellar	
3.	Pulse los botones [▲] o [▼] para pasar del led intermitente al led que representa la función a modificar	
4.	Pulse el botón [Set] para cambiar el estado de la función (destello breve = OFF; destello prolongado = ON)	
5.	Espere 10s para salir de la programación por conclusión del tiempo máximo.	

Nota: los puntos 3 y 4 pueden repetirse durante la misma etapa de programación para colocar en ON u OFF las demás funciones.

7.2.3 Funciones de segundo nivel (parámetros regulables)

Tabla 16: lista de las funciones programables: segundo nivel				
Led de entrada	Parámetro	Led (nivel)	valor	Descripción
L1	Fuerza motor	L1	Baja	Regula la sensibilidad del control de fuerza del motor para adecuarlos al tipo de puerta. La regulación "Alta" es más adecuada para puertas grandes y pesadas.
		L2	Mediana	
		L3	Alta*	
L2	Función P.P.	L1	Abrir - stop - cerrar - abrir	Regula la secuencia de mandos asociados a la entrada P.P. o al 1º mando por radio (véanse las tablas 7 y 8).
		L2	Abrir - stop - cerrar - stop	
		L3	Comunitaria	
L3	Tiempo de pausa	L1	15 segundos	Regula el tiempo de pausa, es decir el tiempo antes del cierre automático. Es válido sólo si el cierre automático está activo
		L2	30 segundos	
		L3	60 segundos	

Nota: "■" representa la regulación de fábrica.

* si se configura la velocidad del motor "rápida" en la apertura y en el cierre y la fuerza del motor es "alta", se deshabilitan las desaceleraciones (excluida la desaceleración durante el cierre cercana al tope).

Todos los parámetros pueden regularse sin ninguna contraindicación; sólo la regulación de la "Fuerza del motor" requiere ciertas precauciones:

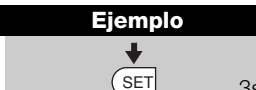
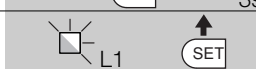






- Se desaconseja utilizar valores de fuerza elevados para compensar el hecho de que la puerta tiene puntos de fricción anormales; una fuerza excesiva puede perjudicar el funcionamiento del sistema de seguridad o averiar la hoja.

- Si se utiliza el control de la "fuerza motor" como ayuda del sistema para reducir la fuerza de impacto, después de cada regulación repita la medición de la fuerza tal como previsto por la norma EN 12445.

- El desgaste y las condiciones atmosféricas influyen sobre el movimiento de la puerta; por dicho motivo es necesario controlar periódicamente la regulación de la fuerza.

7.2.4 Programación de segundo nivel (parámetros regulables)


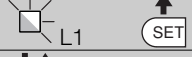


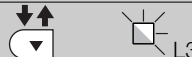
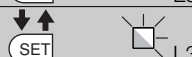

Los parámetros regulables se configuran de fábrica tal como se muestra en la tabla N° 16 con: "■" pero se pueden modificar en cualquier momento como indicado en la Tabla 17. Tenga cuidado cuando efectúe el procedimiento porque existe un tiempo máximo de 10s entre la presión de un botón y otro; al concluir dicho tiempo, el procedimiento termina automáticamente memorizando las modificaciones hechas hasta ese momento.

Tabla 17: cambio de los parámetros regulables		Ejemplo
1.	Pulse y mantenga pulsado el botón [Set] durante unos 3s	
2.	Suelte el botón [Set] cuando el led L1 comienza a destellar	
3.	Pulse los botones [▲] o [▼] para pasar del led intermitente al "led de entrada" que representa el parámetro a modificar	
4.	Pulse y mantenga pulsado el botón [Set] , mantenga pulsado el botón [Set] durante los pasos 5 y 6	
5.	Espere unos 3s, después se encenderá el led que representa el nivel actual del parámetro a modificar	
6.	Pulse los botones [▲] o [▼] para desplazar el led que representa el valor del parámetro.	
7.	Suelte el botón [Set]	
8.	Espere 10s para salir de la programación por conclusión del tiempo máximo.	

Nota: los puntos de 3 a 7 pueden repetirse durante la misma etapa de programación para regular varios parámetros

7.2.5) Ejemplo de programación de primer nivel (funciones ON-OFF)


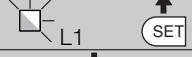

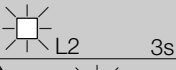


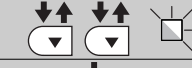

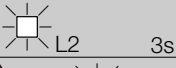
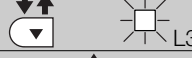


Como ejemplo se menciona la secuencia de operaciones para modificar la configuración de fábrica de las funciones para activar las funciones de "Velocidad apertura alta" (L2) y "Cierre automático" (L3).

Tabla 18: ejemplo de programación del primer nivel	Ejemplo
1. Pulse y mantenga pulsado el botón [Set] durante unos 3s	
2. Suelte el botón [Set] cuando el led L1 comienza a destellar	
3. Pulse 1 vez el botón [▼] para pasar el led intermitente al led L2	
4. Pulse una vez el botón [Set] para modificar el estado de la función asociada a L2 (Velocidad apertura); ahora el led L2 destella con un destello prolongado	
5. Pulse 1 vez el botón [▼] para pasar el led intermitente al led L3	
6. Pulse una vez el botón [Set] para modificar el estado de la función asociada a L3 (Cierre Automático); ahora el led L3 destella con un destello prolongado.	
7. Espere 10s para salir de la programación por conclusión del tiempo máximo.	

Al final de estas operaciones los leds L2 y L3 deben quedar encendidos, indicando que las funciones "Velocidad apertura alta" y "Cierre automático" están activas.

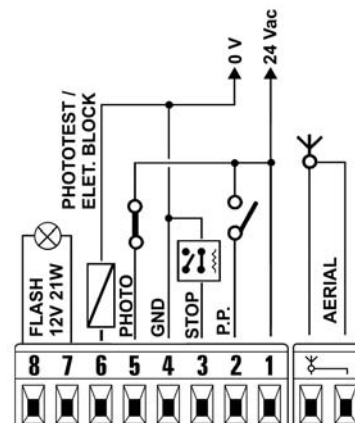
7.2.6) Ejemplo de programación de segundo nivel (parámetros regulables)

Como ejemplo se menciona la secuencia de operaciones para modificar la configuración de fábrica de los parámetros y regular la "Fuerza motor" en alta (entrada en L1 y nivel en L3) y aumentar el "Tiempo Pausa" a 60s (entrada en L3 y nivel en L3).

Tabla 19: ejemplo de programación de segundo nivel	Ejemplo
1. Pulse y mantenga pulsado el botón [Set] durante unos 3s	
2. Suelte el botón [Set] cuando el led L1 comienza a destellar	
3. Pulse y mantenga pulsado el botón [Set] , mantenga pulsado el botón [Set] durante los pasos 4 y 5	
4. Espere unos 3s hasta que se encienda el led L2 que representa el nivel actual de la "Fuerza del motor"	
5. Pulse una vez el botón [▼] para desplazar el led encendido en L3 que representa el nuevo valor de la "Fuerza del motor"	
6. Suelte el botón [Set]	
7. Pulse 2 veces el botón [▼] para pasar el led intermitente al led L3	
8. Pulse y mantenga pulsado el botón [Set] , mantenga pulsado el botón [Set] durante los pasos 9 y 10	
9. Espere unos 3s hasta que se encienda el led L2 que representa el nivel actual del "Tiempo de Pausa"	
10. Pulse 1 vez el botón [▼] para desplazar el led encendido en L3 que representa el nuevo valor del "Tiempo de Pausa"	
11. Suelte el botón [Set]	
12. Espere 10s para salir de la programación por conclusión del tiempo máximo.	

7.3) Instalación o desinstalación de dispositivos

En una automatización que incorpore TEN es posible montar o desinstalar dispositivos en cualquier momento. A las entradas de STOP y FOTOCÉLULA se les pueden conectar varios tipos de dispositivos tal como indicado en los párrafos "7.3.1 Entrada STOP" y "7.3.2 Fococélulas". En la figura 33 se indica el esquema eléctrico para la conexión de los diferentes dispositivos.



7.3.1) Entrada STOP

STOP es la entrada que provoca la parada inmediata de la maniobra, seguida de una breve inversión. A esta entrada se le pueden conectar dispositivos con salida de contacto normalmente abierto "NA", normalmente cerrado "NC", o bien dispositivos con salida con resistencia constante $8,2K\Omega$, por ejemplo bandas sensibles.

La central reconoce el tipo de dispositivo conectado a la entrada STOP durante la etapa de aprendizaje (véase el párrafo "4.3 Aprendizaje de las posiciones de apertura y cierre de la puerta"); sucesivamente, se provoca un STOP cuando se produce cualquier variación respecto del estado memorizado.

Con algunas soluciones oportunas es posible conectar varios dispositivos en la entrada STOP, incluso de diferentes tipos:

- Varios dispositivos NA pueden conectarse en paralelo entre sí sin límites de cantidad.

- Varios dispositivos NC pueden conectarse en serie entre sí sin límites de cantidad.
- Varios dispositivos de resistencia constante $8,2K\Omega$ pueden conectarse "en cascada" con una sola resistencia de terminación de $8,2K\Omega$.
- La combinación NA y NC puede efectuarse colocando los 2 contactos en paralelo con la precaución de colocar en serie al contacto NC una resistencia de $8,2K\Omega$ (esto también permite combinar 3 dispositivos: NA, NC y $8,2K\Omega$).

⚠ Si se utiliza la entrada STOP para conectar los dispositivos con funciones de seguridad, sólo los dispositivos con salida con resistencia constante $8,2K\Omega$ garantizan la categoría de seguridad 3 contra las averías, según la norma EN 954-1.

7.3.2) Fotocélulas

La central del TEN incorpora la función "Fototest" que aumenta la fiabilidad de los dispositivos de seguridad, permitiendo lograr la "categoría 2" según la norma EN 954-1 sobre el grupo central y fotocélulas de seguridad.

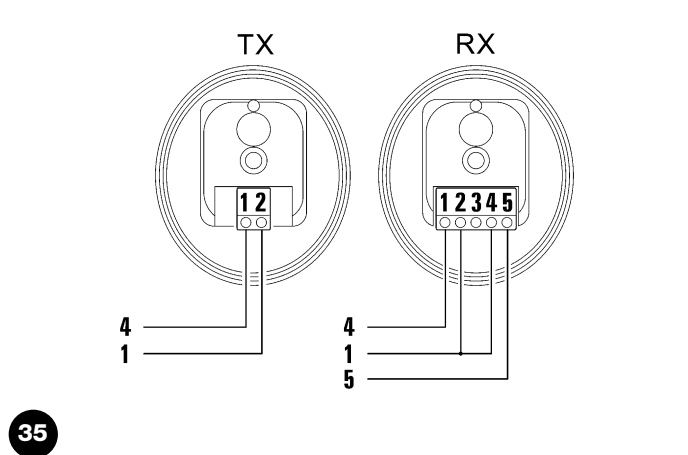
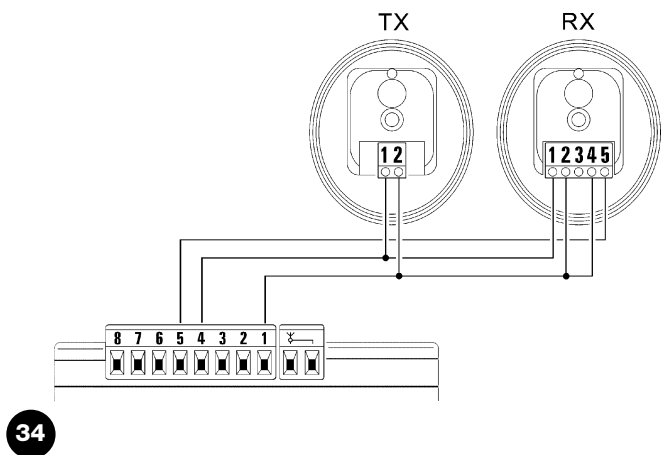
Cada vez que se activa una maniobra se controlan todos los dispositivos de seguridad y sólo si el test es positivo, comienza la maniobra. Por el contrario, si el test es negativo (fotocélula deslumbrada

por el sol, cables en cortocircuito, etc.) se detecta la avería y la maniobra no se efectúa.

Para la función "fototest" se necesita una conexión específica de los transmisores de las fotocélulas (véanse las figs. 36 y 37). La central reconoce la conexión en modo "fototest" durante la etapa de aprendizaje (véase el párrafo "4.3 Aprendizaje de las posiciones de apertura y cierre de la puerta").

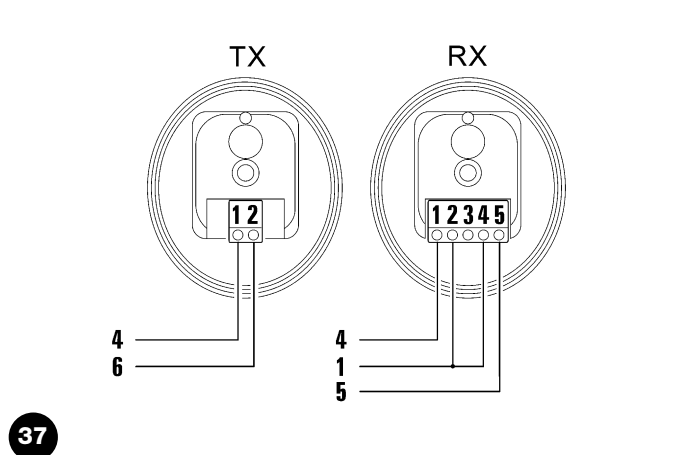
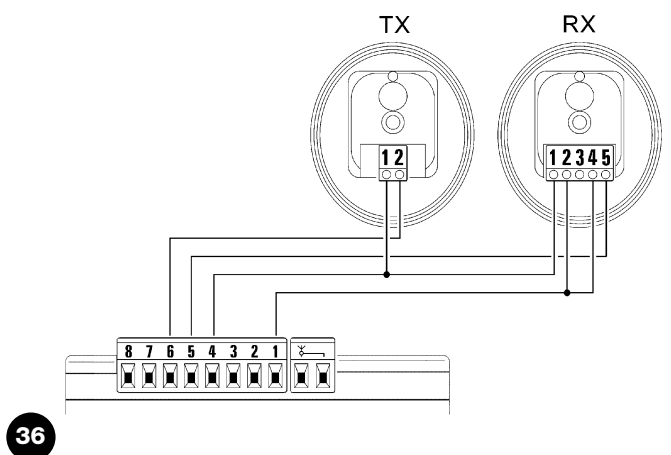
Conexión sin función "Fototest" (Figuras 34 y 35):

Alimente los transmisores y los receptores directamente desde la salida de los servicios de la central (bornes 1 - 4).



Conexión con función "Fototest" (Figuras 36 y 37):

La alimentación de los receptores se toma directamente de la salida de los servicios (bornes 1 - 4), mientras que aquella de los transmisores se toma de la salida "Fototest" (bornes 6 - 4). La corriente máxima en la salida "Fototest" es de 100mA.

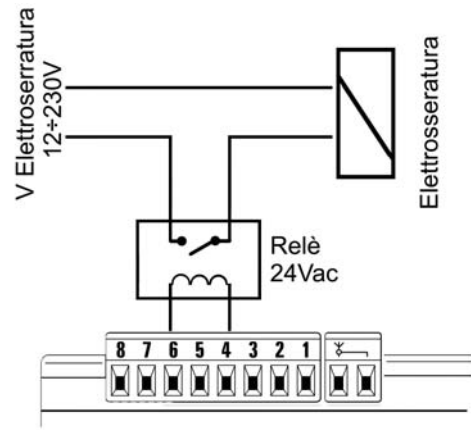


Si se utilizan 2 pares de fotocélulas que puedan interferir entre sí, active la sincronización tal como descrito en las instrucciones de las fotocélulas.

E

7.3.3) Electrocerradura

La salida “fototest” sale de fábrica activada para la función “Fototest”. Como alternativa, en la central de TEN se puede programar la salida para el accionamiento de una electrocerradura. Al iniciar una maniobra de apertura, la salida se activa con una duración de 2 segundos; de esta manera es posible conectar un dispositivo electrocerradura. En la maniobra de cierre la salida no se activa; por lo tanto, la electrocerradura debe lograr rearmarse mecánicamente. La salida no puede accionar directamente la electrocerradura, sino sólo una carga de 24Vac - 2W. La salida deberá estar conectada a un relé, tal como se muestra en la Figura 38.



38

7.3.4) Programación de la función Fototest / Electrocerradura

La salida al borne 6 está programada de fábrica con la función “Fototest”, pero se puede modificar en electrocerradura y viceversa en cualquier momento, tal como indicado en la Tabla 20. Para esta programación es necesario que la luz intermitente esté conectada (o bien una lámpara de 12V 21W máx.).

Tabla 20: programación de la salida como Electrocerradura (y viceversa Fototest)	Ejemplo
1. Apague el TEN (por ejemplo quitando F2)	OFF
2. Pulse y mantenga pulsado el botón [Set]	SET
3. Encienda el TEN	ON
4. Siempre con el botón [Set] pulsado, espere a que la central se encienda (unos 4s);	SET 4s
5. Si la luz intermitente permanece apagada, la salida está programada como fototest, si la luz intermitente permanece encendida, la salida está programada como electrocerradura	Light icons
6. Siempre con el botón [Set] pulsado, pulse y suelte (incluso varias veces) el botón [▼] . La luz intermitente se encenderá o apagará con este significado: encendida= electrocerradura apagada= fototest	SET, Down arrow icon, Light icons
7. Suelte el botón [Set]	SET

Después de haber activado la función “Fototest” y haber efectuado las conexiones de las fotocélulas, es necesario efectuar el aprendizaje de las cotas descrito en el párrafo “4.3 Aprendizaje de las posiciones de apertura y cierre de la puerta”.

7.3.5) Desactivación de la Sensibilidad variable al detectar un obstáculo.

TEN incorpora un sistema de detección de obstáculos que se basa sobre el control del esfuerzo del motor.







La sensibilidad de este sistema es variable: mayor sensibilidad donde el motor tiene poco esfuerzo; menor sensibilidad donde el motor tiene mayor esfuerzo. Todo esto sirve para detectar los obstáculos con la máxima precisión. Existen situaciones en que este sistema podría detectar un falso obstáculo, por ejemplo en caso de fuertes ráfagas de viento. En estas situaciones, para evitar este problema, es posible desactivar la sensibilidad variable, Tabla 21. Permanecen los 3 niveles “fijos” de la fuerza del motor (véase la Tabla 16).

Tabla 21: desactivación de la Sensibilidad de la detección de los obstáculos y viceversa	Ejemplo
1. Apague TEN (por ejemplo quitando F2)	OFF
2. Pulse y mantenga pulsado el botón [Set]	SET
3. Encienda TEN	ON
4. Siempre con el botón [Set] pulsado, espere a que la central se encienda (unos 4s);	SET 4s
5. Si la luz de cortesía queda apagada, la detección de los obstáculos está programada como “sensibilidad variable”; si la luz de cortesía permanece encendida, la detección de los obstáculos está programada como “sensibilidad fija”;	Light icons
6. Siempre con el botón [Set] pulsado, pulse y suelte (incluso varias veces) el botón [▲] . La luz de cortesía se encenderá o se apagará con este significado: encendida= sensibilidad fija (máxima) apagada = sensibilidad variable	SET, Up arrow icon, Light icons
7. Suelte el botón [Set]	SET

Si se reactiva la sensibilidad variable después de haberla desactivada se aconseja efectuar el aprendizaje de las cotas descrito en el párrafo “4.3 Aprendizaje de las posiciones de apertura y cierre de la puerta”.

7.3.6) Programación del sentido de instalación del TEN

TEN está programado de fábrica para ser instalado derecho, como se muestra en la Figura 5. Si fuera necesario instalarlo dado vuelta, como en la Figura 7, es necesario programar la central del TEN como especificado en la Tabla 22.

Tabla 22: programación del sentido de instalación del TEN	Ejemplo
1. Apague el TEN (por ejemplo quitando F2)	
2. Pulse y mantenga pulsados los botones [Stop] y [Close]	
3. Encienda el TEN	
4. Siempre con los botones [Stop] y [Close] pulsados, espere a que la central se encienda (unos 4s);	
5. Si los leds P1, P2 y P3 están apagados, el TEN está programado para ser instalado derecho, como se muestra en la Figura 5; si los leds están encendidos, el TEN está programado para ser instalado dado vuelta, como en la Figura 7;	
6. Siempre con los botones [Stop] y [Close] pulsados, pulse y suelte (incluso varias veces) el botón [Open] . Los leds P1, P2 y P3 se encenderán o apagarán con este significado: encendidos = instalación dada vuelta (Figura 7) apagados = instalación derecha (Figura 5)	
7. Suelte los botones [Stop] e [Close]	

Atención: si se programa la instalación dada vuelta, durante el funcionamiento normal los botones Open y Close están intercambiados respecto de aquello indicado en la etiqueta de la central.

7.4) Funciones especiales

7.4.1) Función “Abrir siempre”

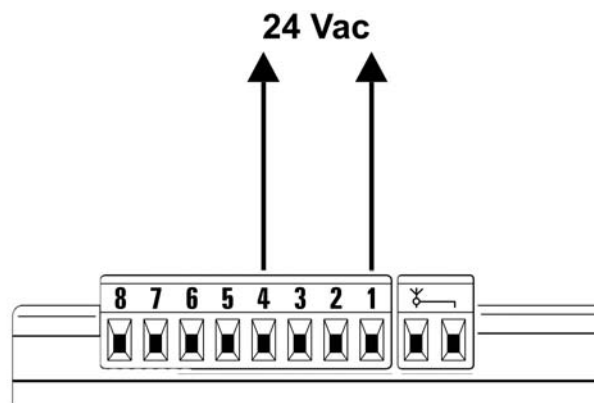
La función “Abrir siempre” es una característica de la central de control que permite accionar siempre una maniobra de apertura cuando el mando de “Paso a Paso” dura más de 3 segundos; esto es útil por ejemplo para conectar en el borne P.P. el contacto de un reloj programador para mantener abierta la puerta durante una cierta franja horaria. Dicha característica es válida cualquiera sea la programación de la entrada de P.P. (véase la “Función P.P.” en la Tabla 16).

7.4.2) Función “Mover Igualmente”

Si alguno de los dispositivos de seguridad no funcionara correctamente o estuviera fuera de uso, es posible igualmente accionar y mover la puerta en modalidad “Hombre presente”. Para más detalles, véase el párrafo “Accionamiento con dispositivos de seguridad fuera de uso” presente en el anexo “Instrucciones y advertencias destinadas al usuario del motorreductor TEN”.

7.5) Conexión de otros dispositivos

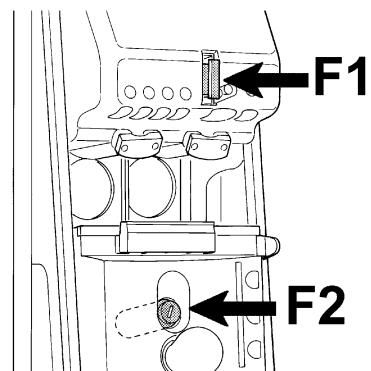
Si hubiera que alimentar dispositivos exteriores, por ejemplo un lector de proximidad para tarjetas por transponder o bien la luz de iluminación del selector de llave, es posible tomar la alimentación tal como indicado en la Figura 39. La tensión de alimentación es 24Vac (-30% +50%) con corriente máxima disponible de 100mA.



39

7.6) Solución de los problemas

En la tabla 23 se pueden encontrar indicaciones útiles para solucionar problemas de funcionamiento que podrían producirse durante la instalación o desperfectos del sistema.



40

Tabla 23: búsqueda de las averías

Síntomas	Probables causas y posibles soluciones
El transmisor no acciona la puerta y el led del transmisor no se enciende	Controle que las pilas del transmisor no estén agotadas; de ser necesario, sustitúyalas.
El transmisor no acciona la puerta pero el led del transmisor se enciende	Controle que el transmisor esté memorizado correctamente en el receptor Controle que la emisión de la señal radio del transmisor sea correcta con este ensayo: pulse un botón y apoye el led sobre la antena de una radio común (es mejor si es económica) encendida y sintonizada en la banda FM en la frecuencia de 108,5Mhz o lo más cerca posible de dicha frecuencia; se tendría que escuchar un ligero graznido.
No se acciona ninguna maniobra y el led OK no destella	Controle que el TEN esté alimentado con la tensión de red de 230V. Controle que los fusibles F1 y F2 no estén quemados; si así fuera, controle la causa de la avería y sustitúyalos con otros con el mismo valor de corriente y características idénticas (Figura 40).
No se acciona ninguna maniobra y la luz intermitente está apagada	Controle que el mando sea recibido efectivamente. Si el mando llega a la entrada PP, el led OK emite dos destellos para señalar que se ha recibido el mando.
La maniobra no arranca y la luz intermitente destella algunas veces.	Cuente la cantidad de destellos y controle según lo indicado en la tabla 24
La maniobra arranca pero inmediatamente después se produce la inversión breve.	La fuerza seleccionada podría ser muy baja para mover la puerta. Controle que no haya obstáculos y, de ser necesario, seleccione una fuerza mayor.

7.7) Diagnóstico y señales

Algunos dispositivos ofrecen directamente señales especiales a través de las que se puede reconocer el estado de funcionamiento o un posible desperfecto.

7.7.1) Señales con la luz intermitente

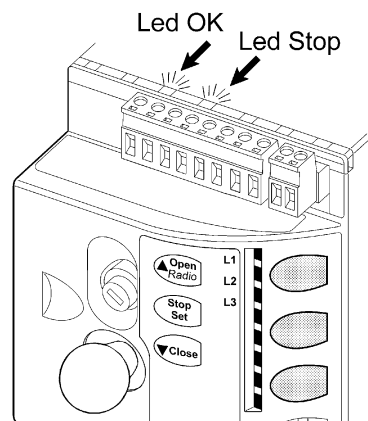
Si se conecta una luz intermitente, durante la maniobra la luz intermitente destella una vez por segundo; cuando se produce algún desperfecto, la luz intermitente emite destellos más breves; los destellos se repiten dos veces, separados por una pausa de un segundo (Tabla 23). Las mismas señales de diagnóstico son reiteradas por la luz de cortesía.

Tabla 24: señales en la luz intermitente FLASH

Destellos rápidos	Causa	ACCIÓN
2 destellos pausa de 1 segundo 2 destellos	Activación de una fotocélula	Al comienzo de la maniobra una o varias fotocélulas no dan el asenso al movimiento; controle que no haya obstáculos. Durante el movimiento de cierre es normal si efectivamente hay un obstáculo.
3 destellos pausa de 1 segundo 3 destellos	Activación del limitador de la "Fuerza motor"	Durante el movimiento, la puerta encontró un punto de mayor fricción; controle el motivo.
4 destellos pausa de 1 segundo 4 destellos	Activación de la entrada de STOP	Al comienzo de la maniobra o durante el movimiento se ha activado la entrada de STOP; controle el motivo.
5 destellos pausa de 1 segundo 5 destellos	Error en los parámetros internos de la central electrónica	Espere 30 segundos como mínimo y pruebe a accionar un mando; si el estado persiste, podría haber una avería grave y habrá que sustituir la tarjeta electrónica.
6 destellos pausa de 1 segundo 6 destellos	Se ha superado el límite máximo de maniobras por hora.	Espere algunos minutos para que el limitador de maniobras retorne por debajo del límite máximo
7 destellos pausa de 1 segundo 7 destellos	Error en los circuitos eléctricos internos	Desconecte todos los circuitos de alimentación durante algunos segundos y pruebe a accionar un mando; si el estado persiste, podría haber una avería grave en la tarjeta o en el cableado del motor. Controle y sustituya si fuera necesario.

7.7.2) Señalizaciones en la central

En la central del TEN hay una serie de LEDs y cada uno de ellos puede dar señales específicas durante el funcionamiento normal o en caso de desperfecto (Figura 41).



41

Tabla 25: leds en los bornes de la central

Led OK	Causa	ACCIÓN
Apagado	Desperfecto	Controle que haya corriente eléctrica; controle que los fusibles no se hayan quemado; si así fuera, controle la causa de la avería y sustitúyalos con otros del mismo valor de corriente
Encendido	Desperfecto grave	Hay un desperfecto grave; pruebe a apagar la central durante algunos segundos; si el estado continúa, significa que hay una avería y que habrá que sustituir la tarjeta electrónica
Un destello por segundo	Todo OK	Funcionamiento normal de la central
2 destellos rápidos	Se ha producido una variación del estado de las entradas	Es normal cuando se produce un cambio de una de las entradas: PP, STOP, activación de las fotocélulas o se utiliza el transmisor.
Serie de destellos separados por una pausa de un segundo	Varias	Es la misma señal que emite la luz intermitente. Véase la Tabla 23.
Led STOP	Causa	ACCIÓN
Apagado	Activación de la entrada de STOP	Controle los dispositivos conectados a la entrada STOP
Encendido	Todo OK	Entrada STOP activa

Tabla 26: leds en los botones de la central

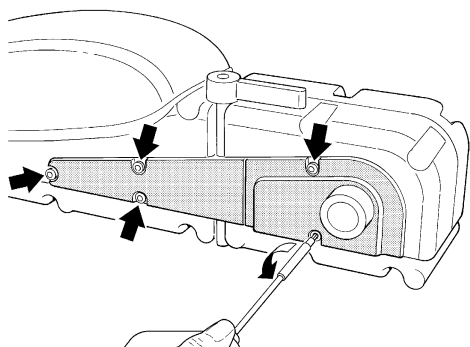
Led 1	Descripción
Apagado	Durante el funcionamiento normal indica "Velocidad de cierre" lenta.
Encendido	Durante los primeros 15 segundos a partir del encendido, indica que se está ejecutando la etapa de memorización del transmisor. Durante el funcionamiento normal indica "Velocidad de cierre" rápida.
Destella	<ul style="list-style-type: none"> • Programación de las funciones ejecutándose. • Borrado o diagnóstico de los transmisores.
Led L2	Descripción
Apagado	Durante el funcionamiento normal indica "Velocidad de apertura" lenta.
Encendido	Durante el funcionamiento normal indica "Velocidad de apertura" rápida.
Destella	<ul style="list-style-type: none"> • Programación de las funciones ejecutándose • Si destella junto con L3 indica que es necesario ejecutar el aprendizaje de la posición de apertura y cierre de la puerta (véase el párrafo "4.3 Aprendizaje de las posiciones de apertura y cierre de la puerta").
Led L3	Descripción
Apagado	Durante el funcionamiento normal indica "Cierre automático" desactivado.
Encendido	Durante el funcionamiento normal indica "Cierre automático" activo.
Destella	<ul style="list-style-type: none"> • Programación de las funciones ejecutándose • Si destella junto con L2 indica que es necesario ejecutar el aprendizaje de las posiciones de apertura y cierre de la puerta (véase el párrafo "4.3 Aprendizaje de las posiciones de apertura y cierre de la puerta").

7.8) Accesorios

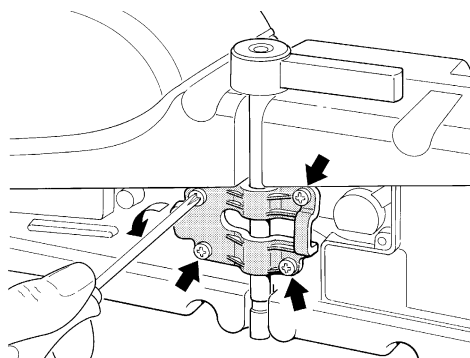
Para el TEN están disponibles los siguientes accesorios: Consulte el catálogo de los productos de Nice S.p.a. para la lista completa y actualizada de los accesorios.

- TNA1** Central de recambio para TN2030 y TNKCE
- OTA2** Estribo de soporte del motor de 1250mm de longitud
- OTA3** Estribo de soporte del motor de 2000mm de longitud
- TNA4** Par de ejes de transmisión 1500mm de longitud
- TNA5** Par de brazos rectos telescópicos estándares
- TNA6** Par de brazos curvos telescópicos estándares
- TNA8** Par de ejes de transmisión de 200 mm de longitud
- OTA11** Kit para desbloqueo desde el exterior con tirador de acero
- OTA12** Kit para desbloqueo desde el exterior con trinquete con llave
- TNA38** Dispositivo de reenvío para 1 par de ejes de transmisión
- TS** Placa de señalización

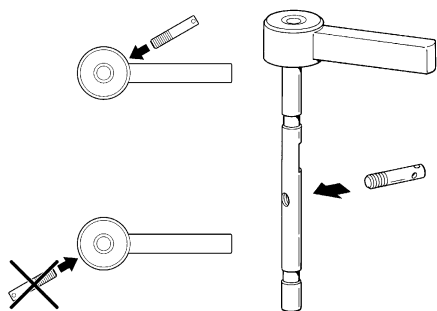
7.8.1) Premontaje para OTA11



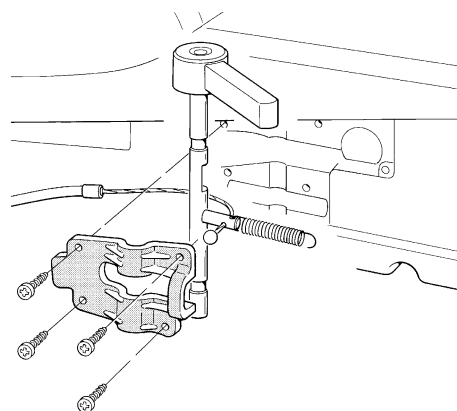
42 Desenrosque los tornillos y quite las tapas laterales



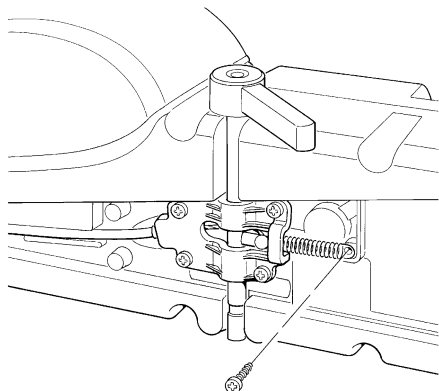
43 Desenrosque los tornillos y quite el collar



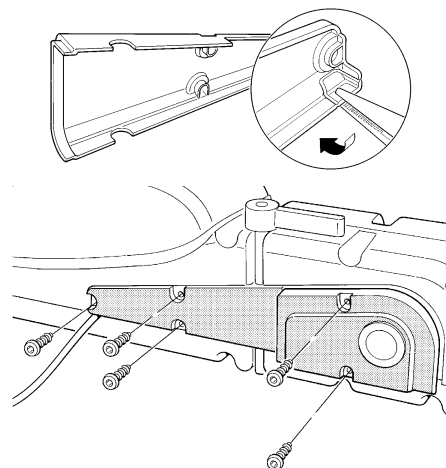
44 Enrosque el perno entregado, observando la posición respecto de la manija



45 Introduzca el tirador y el muelle, tal como indicado



46 Fije el muelle con el tornillo suministrado 4.2x13, enrosque nuevamente el collar y, por último, introduzca el revestimiento.



47 Corte la parte precortada presente en la tapa y cierre todo, observando que las juntas no queden aplastadas.

8) Características técnicas

Nice S.p.a., a fin de mejorar sus productos, se reserva el derecho de modificar las características técnicas en cualquier momento y sin previo aviso, garantizando la funcionalidad y el uso previsto.

Todas las características técnicas indicadas se refieren a una temperatura ambiente de 20°C (±5°C).

Características técnicas: TEN					
Modelo tipo	TN2020	TN2030	TNKCE	TN2030+TN2020	
Tipo	/	Motorreductor electromecánico para el movimiento automático de puertas basculantes desbordantes y no desbordantes para uso residencial con central electrónica de control.			
Par máximo de arranque	320 Nm	320 Nm	280 Nm	420 Nm	
Par nominal	220 Nm	220 Nm	200 Nm	280 Nm	
Velocidad en vacío	1.4 (24Vcc)	1,7 rpm; la central permite programar 2 velocidades equivalentes a 1 rpm o 1,7 rpm.			
Velocidad al par nominal	0.9 (24Vcc)	1.2rpm			
Frecuencia máxima de los ciclos de funcionamiento (la central limita los ciclos al máximo previsto en las tablas 3 y 4) *	25 ciclos / hora	20 ciclos / hora	15 ciclos / hora	10 ciclos / hora	
Tiempo máximo de funcionamiento continuo (la central limita el funcionamiento continuo al máximo previsto en las tablas 3 y 4) **	14 minutos	11 minutos	10 minutos	8 minutos	
Límites de empleo	Generalmente el TEN puede automatizar puertas equilibradas con una superficie de hasta 8m ² con 1 motor, y de hasta 14m ² con 2 motores, según los límites previstos en la tabla 2.				
Duración	Estimada entre 10.000 ciclos y 50.000 ciclos, según las condiciones mencionadas en la tabla 5				
Alimentación TEN	24 Vcc (-30% +50%)	230Vac (-10% +15%) 50/60Hz.			
Alimentación TEN Alimentación TEN/V1		120Vac (-10% +15%) 50/60Hz.			
Potencia máxima absorbida con 1 motor Potencia máxima absorbida con 2 motores	130 W (5.5A)	220 W (1A)	200 W (0.9A)	330 W (1.4A)	
Clase de aislamiento	III	I	I	I	
Alimentación con baterías de compensación	no				
Luz de cortesía	12V/10W conexión BA15S				
Salida luz intermitente	/	Para 1 luz intermitente LUCYB; MLB o MLBT (bombilla 12V, 21W)			
Salida fototest/electrocerradura	/	24Vac /2W			
Entrada STOP	/	Para contactos normalmente cerrados, normalmente abiertos o para resistencia constante 8,2Kohm; en autoaprendizaje (una variación respecto del estado memorizado provoca el mando "STOP")			
Entrada PP	/	Para contactos normalmente abiertos (el cierre del contacto provoca el mando PP)			
Entrada ANTENA Radio	/	52 ohm para cable tipo RG58 o similar			
Radorreceptor	/	Incorporado			
Funciones programables	/	3 funciones tipo ON-OFF y 3 funciones regulables (véanse las tablas 15 y 17)			
Funciones en autoaprendizaje	/	Autoaprendizaje tipo dispositivo de "STOP" (contacto NA, NC o resistencia 8,2KΩ) Autoaprendizaje de las posiciones de apertura y cierre de la puerta y cálculo de los puntos de deceleración y apertura parcial.			
Temperatura de funcionamiento	-20°C ÷ 50°C				
Empleo en atmósfera ácida, salobre o con riesgo de explosión	No				
Clase de protección	IP 44				
Medidas	512 x 150 h 158				
Peso	7.2 Kg	9.5 Kg	15.5 Kg		
		TN2020	TN2030	TNKCE	TN2030+TN2020
* A 50°C y la frecuencia máxima de funcionamiento es de (ciclos/hora):		"6"	"4"	"4"	"3"
** A 50°C el tiempo máximo de funcionamiento continuo es (minutos.):		"6"	"5"	"5"	"4"

Características técnicas	Radiorreceptor incorporado
Tipo	Receptor de 4 canales para radiomando incorporado
Frecuencia	433.92MHz
Codificación	Digital código fijo a 12 Bit, tipo FLO Digital Rolling code a 52 Bit, tipo FLOR Digital Rolling code a 64 Bit, tipo SMILO
Compatibilidad transmisores (1)	A) FLO, VERY VE B) FLOR, VERY VR; sólo grupo individual: ERGO, PLANO, PLANOTIME, NICEWAY (toda la línea) C) SMILO
Transmisores memorizables	Hasta 160 si están memorizados en Modo I
Impedancia de entrada	52Ω
Sensibilidad	superior a 0.5μV
Alcance de los transmisores	Hasta 150 m en campo libre; hasta 35 m en el interior de edificios. Esta distancia puede variar notablemente ante la presencia de obstáculos y posibles perturbaciones electromagnéticas y depende de la posición de la antena receptora
Salidas	Para mandos como indicado en las tablas 8 y 9
Temperatura de funcionamiento	-20°C ÷ 55°C

Nota 1: el primer transmisor memorizado determina también el tipo de aquellos que se podrán memorizar posteriormente

Características técnicas	transmisor: FLO2	transmisor: FLO2R-S	transmisor: SM2
Tipo	Transmisor de 2 canales para radiomando		
Frecuencia	433.92MHz		
Codificación	Digital código fijo a 12 Bit, tipo FLO	Digital Rolling code a 52 Bit, tipo FLOR	Digital Rolling code a 64 Bit, tipo SMILO
Botones	2		
Alimentación	12Vdc con batería tipo 23A		
Absorción	25mA		
Duración de la batería	1 año, estimada sobre una base de 20 mandos/día de 1s de duración a 20°C (con temperaturas bajas la duración de las baterías disminuye)		
Potencia irradiada	100μW		
Medidas y peso	72 x 40 h 18mm / 30g	72 x 40 h 18mm / 30g	Diámetro 48 h14mm / 19g
Clase de protección	IP 40 (uso en interiores o ambientes protegidos)		
Temperatura de funcionamiento	-40°C ÷ 85°C		

Instrucciones y advertencias para el usuario del motorreductor TEN

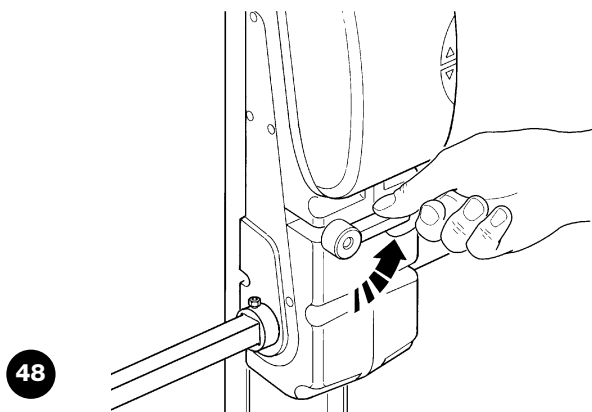
Estas instrucciones pueden integrar las "Instrucciones y advertencias para el uso de la automatización" que el instalador debe entregar al dueño de la automatización y que deben estar integradas por ellas.

¡Felicitaciones por haber elegido un producto Nice para su automatización! Nice S.p.A. produce componentes para la automatización de cancelas, puertas, persianas y toldos: motorreductores, centrales de mando, radiomandos, luces intermitentes, fotocélulas y accesorios. Los productos Nice son fabricados sólo con materiales de calidad y excelentes mecanizados. Nuestra empresa busca constantemente soluciones innovadoras que simplifiquen aún más el uso de nuestros aparatos, los que son cuidados bajo todo aspecto (técnico, estético y ergonómico): en la gran gama Nice, su instalador puede escoger el producto que satisfaga de la mejor manera sus exigencias. Nice no es quien escoge los componentes de su automatización, este es un trabajo de análisis, evaluación, elección de los materiales y realización de la instalación efectuado por su instalador de confianza. Cada automatización es única y sólo su instalador posee la experiencia y la profesionalidad necesarias para ejecutar una instalación según sus exigencias, segura y fiable en el tiempo y, sobre todo, que respete las normativas vigentes. Una instalación de automatización es una gran comodidad, además de un sistema de seguridad válido y, con un mantenimiento reducido y sencillo, está destinada a durar por mucho tiempo. Si bien su automatización satisface el nivel de seguridad requerido por las normativas, esto no excluye la existencia de un "riesgo residual", es decir, la posibilidad de que se puedan crear situaciones peligrosas causadas por un uso inconsciente o incorrecto. Por dicho motivo, a continuación le damos algunos consejos sobre cómo comportarse para evitar inconvenientes:

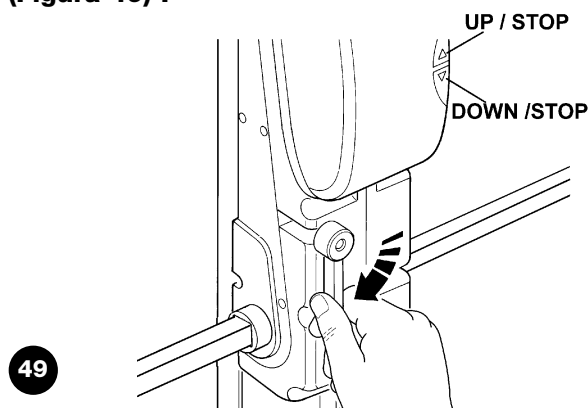
- **Antes de usar por primera vez el automatismo**, pida a su instalador que le explique el origen de los riesgos residuales y lea este manual **de instrucciones y advertencias para el usuario** entregado por el instalador. Conserve el manual por cualquier problema que pueda surgir y recuerde entregarlo a un posible nuevo dueño del automatismo.
- **El automatismo ejecuta fielmente los mandos dados**; un uso inconsciente o inadecuado puede ser peligroso. Por consiguiente, no accione el automatismo cuando en su radio de acción haya personas, animales o bienes.
- **Niños**: una instalación de automatización garantiza un elevado grado de seguridad, impidiendo, gracias a sus sistemas de detección, que se mueva ante la presencia de personas o cosas, y garantizando una activación previsible y segura. Procure que los niños no jueguen cerca del automatismo y mantenga los controles remotos lejos de su alcance: **no son un juguete!**
- **Desperfectos**: ni bien note que el automatismo no funciona correctamente, corte la alimentación eléctrica de la instalación y realice el desbloqueo manual. No realice ninguna reparación y llame a su instalador de confianza: una vez desbloqueado el motorreductor, la instalación podrá funcionar manualmente como un cerramiento no automatizado, tal como se describe más adelante.
- **Mantenimiento**: para garantizar una larga vida útil y para un funcionamiento seguro, la instalación, al igual que cualquier otra maquinaria, requiere un mantenimiento periódico. Establezca con su instalador un plan de mantenimiento con frecuencia periódica. Nice aconseja realizar un mantenimiento cada 6 meses para un uso residencial normal, que puede variar según la intensidad de uso. Cualquier tipo de control, mantenimiento o reparación debe ser realizado sólo por personal cualificado.
- Aunque piense que lo sabe hacer, no modifique la instalación ni los parámetros de programación y de regulación del automatismo: la responsabilidad es de su instalador.
- El ensayo, los trabajos de mantenimiento periódico y las posibles reparaciones deben ser documentados por quien los efectúa y los documentos tienen que ser conservados por el dueño de la instalación. **Las únicas operaciones** que pueden hacerse y que le aconsejamos efectuar periódicamente son la limpieza de los vidrios de las fotocélulas y la eliminación de hojas o piedras que podrían obstaculizar el automatismo. Para que nadie pueda accionar la puerta, antes de proceder recuerde **desbloquear el automatismo** (como descrito más adelante) y utilice para la limpieza únicamente un paño ligeramente humedecido con agua.
- **Desguace** al final de la vida útil del automatismo, el desguace debe ser realizado por personal cualificado y los materiales deben ser reciclados o eliminados según las normas locales vigentes.
- **En el caso de roturas o falta de alimentación**: esperando la intervención de su instalador, o la llegada de la energía eléctrica si la instalación no está dotada de baterías compensadoras, la automatización puede accionarse igual que cualquier cerramiento no automatizado. A tal fin es necesario realizar el desbloqueo manual (única operación que el usuario puede realizar): dicha operación ha sido estudiada por Nice para facilitarle su empleo, sin necesidad de utilizar herramientas ni hacer esfuerzos físicos.

Desbloqueo y movimiento manual: antes de ejecutar esta operación observe que el desbloqueo pueda efectuarse sólo cuando la hoja está detenida.

Para desbloquear el motorreductor, gire la manija en el sentido antihorario y mueva la puerta manualmente (Figura 48).



Para rearmarlo, coloque la manija en posición vertical, girándola en el sentido horario, mueva manualmente la puerta hasta que se enganche (Figura 49) .



Mando con dispositivos de seguridad fuera de uso: si los dispositivos de seguridad montados en la puerta no funcionaran correctamente, la puerta puede igualmente accionarse.

- Accione el mando de la puerta (con el telemando, con el selector de llave, etc.); si todo es correcto, la puerta se abrirá o cerrará normalmente, en caso contrario, la luz intermitente destellará algunas veces y la maniobra no arrancará (la cantidad de destellos depende de la razón que impide que arranque la maniobra).
- En este caso, dentro de tres segundos, **accione** nuevamente el mando y **manténgalo accionado**.
- Transcurridos alrededor de 2s, comenzará el movimiento de la puerta en modo "hombre presente", es decir mientras se mantenga pulsado el mando la puerta seguirá moviéndose; ni bien se suelte el mando, la puerta se detendrá.

Con los dispositivos de seguridad fuera de uso es

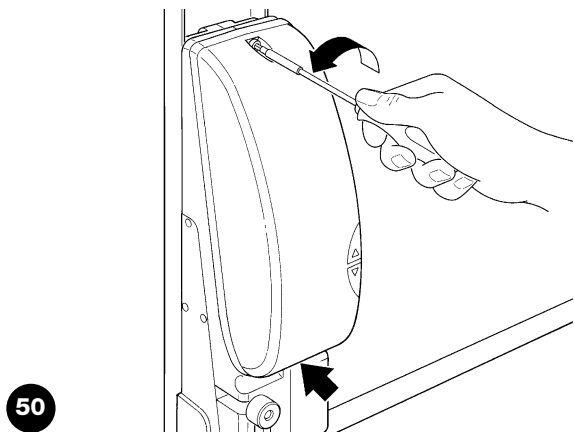
necesario hacer reparar lo antes posible la automatización.

Sustitución de la pila del telemando: si después de transcurrido un cierto período el radiomando no funciona correctamente o deja de funcionar, podría ser que la pila esté agotada (puede durar desde varios meses a más de un año según el uso). Ud. se podrá dar cuenta de este inconveniente por el hecho de que la luz del indicador de confirmación de la transmisión no se enciende, es débil, o bien se enciende sólo durante un breve instante. Antes de llamar al instalador, pruebe a sustituir la pila con una de otro transmisor que funcione correctamente: si el problema fuera este, sustituya la pila con otra del mismo tipo.

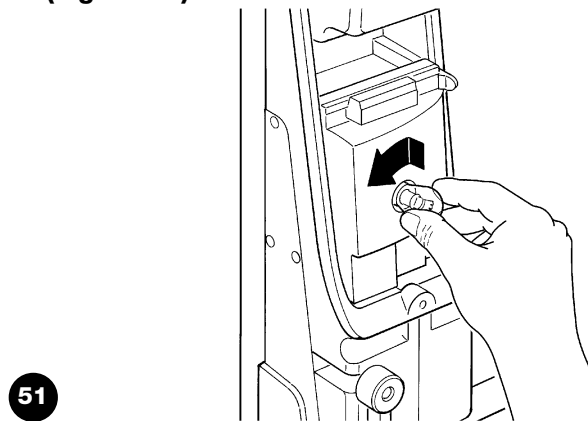
Atención: las pilas contiene sustancias contaminantes: no las arroje en los residuos normales sino que elimínelas de acuerdo con las leyes locales.

Sustitución de la bombilla: antes de efectuar esta operación, corte la alimentación del TEN.

1. Abra la tapa desenroscando los tornillos como se muestra en la Figura 50.



2. Desenrosque la bombilla y sustitúyala con una nueva bombilla de 12V/10 W conexión BA15S (Figura 51).



¿Está Ud. satisfecho? Si Ud. deseara montar en su casa una nueva automatización, contacte con el mismo instalador y con Nice, así podrá contar con la garantía del asesoramiento de un experto y los productos más modernos del mercado, el mejor funcionamiento y la máxima compatibilidad de las automatizaciones.

Le agradecemos por haber leído estas recomendaciones y esperamos que esté satisfecho de su nueva instalación: ante cualquier exigencia, contacte con confianza a su instalador.

Ten

Spis:	pag.
1	Ostrzeżenia 143
2	Opis i przeznaczenie produktu 144
2.1	Ograniczenia eksploatacyjne 144
2.2	Kontrola elementów produktu 145
2.3	Instalacja standardowa 146
2.4	Wykaz przewodów 146
3	Montaż 147
3.1	Kontrola wstępna 147
3.2	Montaż siłownika 147
3.3	Ustawienie wyłączników krańcowych 150
3.4	Montaż pozostałych urządzeń 150
3.5	Połączenia elektryczne 150
3.5.1	Opis połączeń elektrycznych 151
3.5.2	Połączenia elektryczne drugiego silnika 151
4	Kontrola końcowa i uruchomienie 151
4.1	Wybór typu instalacji 151
4.2	Podłączenie zasilania 152
4.3	Programowanie pozycji otwarcia i zamknięcia bramy 152
4.4	Kontrola ruchu bramy 152
4.5	Funkcje ustawione fabrycznie 152
4.6	Odbiomnik radiowy 152
4.7	Wczytywanie nadajników 153
4.7.1	Wczytywanie w trybie I 153
4.7.2	Wczytywanie w trybie II 154
4.7.3	Wczytywanie "w pobliżu odbiornika" 154
4.7.4	Kasowanie nadajników 154
5	Odbiór techniczny i przekazanie do eksploatacji 155
5.1	Odbiór techniczny 155
5.2	Przekazanie do eksploatacji 155
6	Konserwacja i utylizacja 155
6.1	Konserwacja 155
6.2	Utylizacja 156
7	Informacje dodatkowe 156
7.1	Przyciski programujące 156
7.2	Programowanie 156
7.2.1	Funkcje pierwszego poziomu (funkcje typu ON-OFF) 156
7.2.2	Programowanie funkcji pierwszego poziomu (funkcje typu ON-OFF) 157
7.2.3	Funkcje drugiego poziomu (z możliwością regulacji parametrów) 157
7.2.4	Programowanie funkcji drugiego poziomu (z możliwością regulacji parametrów) 157
7.2.5	Przykład programowania funkcji pierwszego poziomu (funkcje typu ON-OFF) 158
7.2.6	Przykład programowania funkcji drugiego poziomu (z możliwością regulacji parametrów) 158
7.3	Dodanie lub usunięcie urządzeń 158
7.3.1	Wejście STOP 159
7.3.2	Fotokomórki 159
7.3.3	Zamek elektryczny 160
7.3.4	Programowanie funkcji Fototest / Zamek elektryczny 160
7.3.5	Dezaktywacja zmiennej czułości wykrywania przeszkód 160
7.3.6	Programowanie kierunku montażu siłownika TEN 161
7.4	Funkcje specjalne 161
7.4.1	Funkcja "Zawsze otwórz" 161
7.4.2	Funkcja "Przesuń mimo wszystko" 161
7.5	Podłączenie innych urządzeń 161
7.6	Rozwiązywanie problemów 162
7.7	Diagnostyka i sygnały 162
7.7.1	Sygnały lampy ostrzegawczej 162
7.7.2	Sygnały centrali 163
7.8	Akcesoria 164
7.8.1	Wstępny montaż dla OTA11 164
8	Dane techniczne 165
	Zalecenia i ostrzeżenia skierowane do użytkownika siłownika TEN 167

1) Ostrzeżenia

Instrukcja zawiera ważne informacje dotyczące bezpieczeństwa podczas montażu. Przed przystąpieniem do prac instalacyjnych przeczytaj uważnie wszystkie zalecenia. Instrukcję należy zachować na przyszłość.

W związku z zagrożeniami jakie mogą wystąpić podczas montażu i eksploatacji siłownika TEN oraz w celu zwiększenia bezpieczeństwa instalatora i użytkownika, montaż musi być przeprowadzony zgodnie z obowiązującymi przepisami, normami i regulaminami. Niniejszy rozdział zawiera wyłącznie ogólne ostrzeżenia, pozostałe ważne ostrzeżenia znajdują się w rozdziałach "3.1 Kontrola wstępna" oraz "5 Odbiór techniczny i przekazanie do eksploatacji".

⚠ Według obowiązujących przepisów wspólnotowych drzwi lub bramy automatyczne muszą być wykonane zgodnie z postanowieniami Dyrektywy Maszynowej 98/37/WE, a w szczególności z normami EN 13241-1 (norma zharmonizowana), EN 12445, EN 12453 i EN 12635, które pozwalają na wystawienie deklaracji zgodności produktu z Dyrektywą Maszynową.

Dodatkowe informacje i wytyczne ułatwiające sporządzenie analizy ryzyka i przygotowanie Dokumentacji Technicznej są dostępne na stronie internetowej: www.niceforyou.com. Niniejsza instrukcja skierowana jest wyłącznie do personelu technicznego, posiadającego odpowiednie kwalifikacje do przeprowadzenia montażu. Zawarte tu informacje nie są w żadnym wypadku przeznaczone dla użytkownika końcowego. Wyjątek stanowi załącznik pt. "Zalecenia i ostrzeżenia skierowane do użytkownika siłownika TEN", który instalator musi odłączyć od niniejszej instrukcji i przekazać użytkownikowi.

- Zabrania się stosowania siłownika TEN do celów innych niż przewidziane w niniejszej instrukcji. Użycie niezgodne z przeznaczeniem może spowodować zagrożenie lub wyrządzić szkody u osób i rzeczy.
- Przed przystąpieniem do montażu należy przeprowadzić analizę ryzyka, w oparciu o wykaz zasadniczych wymagań w zakresie bezpieczeństwa opisanych w załączniku I Dyrektywy Maszynowej i wskazać wdrożone środki zapobiegawcze. Przypominamy, że analiza ryzyka jest jednym z dokumentów, które składają się na Dokumentację Techniczną automatyki.
- Analizując konkretną sytuację i związane z nią zagrożenia, sprawdź czy konieczne będzie podłączenie pozostałych urządzeń dopełniających automatykę opartą na siłowniku TEN. Weź pod uwagę np. ryzyko uderzenia, przynięcenia, przecięcia, wciągnięcia i innych podobnych zagrożeń.
- Zabrania się wprowadzania jakichkolwiek modyfikacji, o ile nie są one przewidziane w niniejszej instrukcji. Takie działania mogą jedynie doprowadzić do niewłaściwej pracy urządzenia. Firma Nice S.p.A nie bierze odpowiedzialności za szkody spowodowane przez zmodyfikowany produkt.
- Podczas montażu i użytkowania nie wolno dopuścić by elementy stałe lub substancje płynne dostały się do wnętrza centrali i innych otwartych urządzeń. Jeśli zaistnieje taka sytuacja należy zwrócić się do serwisu technicznego NICE. Pamiętaj, że eksploatacja siłownika TEN w takiej sytuacji może spowodować zagrożenie
- Automatyka może być użytkowana dopiero po przekazaniu urządzenia do eksploatacji zgodnie z zaleceniami opisanymi w rozdziale "5 Odbiór techniczny i przekazanie do eksploatacji".
- Opakowanie siłownika TEN musi zostać zutilizowane zgodnie z obowiązującymi przepisami lokalnymi.
- W przypadku gdy informacje zawarte w niniejszej instrukcji okażą się niewystarczające do przywrócenia prawidłowego działania, skontaktuj się z serwisem technicznym firmy NICE.
- W przypadku gdy zadziałają automatyczne wyłączniki lub bezpieczniki, przed przywróceniem ich do normalnego stanu należy znaleźć i wyeliminować uszkodzenie, które wywołało ich interwencję.
- Zanim przystąpisz do pracy na zaciskach znajdujących się pod pokrywą siłownika TEN, odłącz wszystkie obwody zasilania. Jeśli urządzenie odcinające zasilanie znajduje się poza zasięgiem Twojego wzroku, przywieś na nim karteczkę "UWAGA KONSERWACJA W TOKU".

Specjalne ostrzeżenia dotyczące zgodności produktu do eksploatacji z punktu widzenia Dyrektywy Maszynowej 98/37/WE (ex 89/392/EWG):

- Produkt jest wprowadzany na rynek jako "element maszynowy". Jest przeznaczony do zamocowania w maszynie lub złożeniu z innymi urządzeniami w celu stworzenia "maszyny" w rozumieniu Dyrektywy 98/37/WE, wyłącznie w zestawieniu z innymi elementami i w sposób opisany w niniejszej instrukcji. Zgodnie z wymaganiami dyrektywy 98/37/WE uprzedzamy, że przekazanie produktu do eksploatacji nie jest dozwolone, dopóki producent maszyny, w której produkt jest zamocowany nie określi jej danych identyfikacyjnych i nie przedstawi deklaracji zgodności z dyrektywą 98/37/WE.

Specjalne ostrzeżenia dotyczące zgodności produktu do eksploatacji z punktu widzenia Dyrektywy Niskiego Napięcia 73/23/EWG wraz z późniejszymi zmianami 93/68/EWG.

- Produkt odpowiada wymaganom Dyrektywy Niskiego Napięcia o ile jest wykorzystywany zgodnie ze swoim przeznaczeniem, w konfiguracji przewidzianej przez niniejszą instrukcję oraz w zestawieniu z innymi artykułami znajdującymi się w katalogu produktów firmy NICE S.p.A. Jeśli produkt będzie wykorzystywany w innej konfiguracji lub w zestawieniu z innymi produktami, nieprzewidzianymi w instrukcji, wówczas może nie spełniać wymagań wspomnianej wyżej dyrektywy. W takiej sytuacji zabrania się eksploatacji produktu do czasu gdy instalator nie upewni się czy spełnione są wymagania wskazane w dyrektywie.

Specjalne ostrzeżenia dotyczące zgodności produktu do eksploatacji z punktu widzenia dyrektywy dotyczącej kompatybilności elektromagnetycznej 89/336/EWG wraz z późniejszymi zmianami 92/31/EWG oraz 93/68/EWG:

- Produkt został poddany badaniom z zakresu kompatybilności elektromagnetycznej w skrajnych sytuacjach użytkowania, w konfiguracji przewidzianej w niniejszej instrukcji oraz w zestawieniu z produktami znajdującymi się w katalogu produktów firmy Nice S.p.a. Kompatybilność elektromagnetyczna może nie być zagwarantowana, jeśli produkt użytkowany będzie w zestawieniu z innymi produktami, nieprzewidzianymi przez producenta. W takiej sytuacji zabrania się eksploatacji produktu do czasu gdy instalator nie upewni się czy spełnione są wymagania wskazane w dyrektywie.

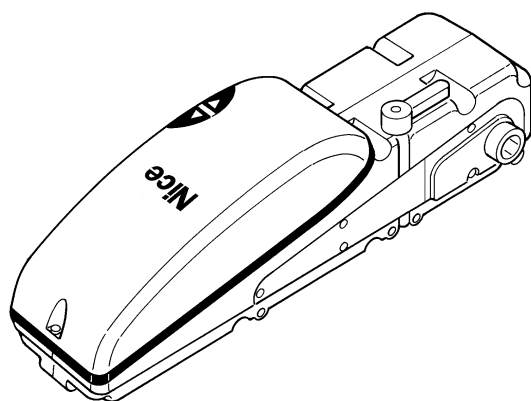
2) Opis i przeznaczenie

TEN (Rys. 1) to siłownik (Tabela 1 Opis siłownika TEN) do automatyzacji bram uchylnych z przeciwwagą, bram uchylnych ze sprężyną, wystających i niewystających poza obrys oraz segmentowych. Siłownik TEN może wykonać manewr otwarcia lub zamknięcia zwalniając pod koniec ruchu. Ponadto kontroluje stale siłę potrzebną do wykonania manewru oraz wykrywa ewentualne anomalie, jak na przykład nagłą przeszkodę, uniemożliwiającą przesunięcie skrzydła. W takiej sytuacji automatyka zatrzymuje bramę i powoduje krótki ruch w przeciwnym kierunku.

Tabela 1: Opis siłownika TEN

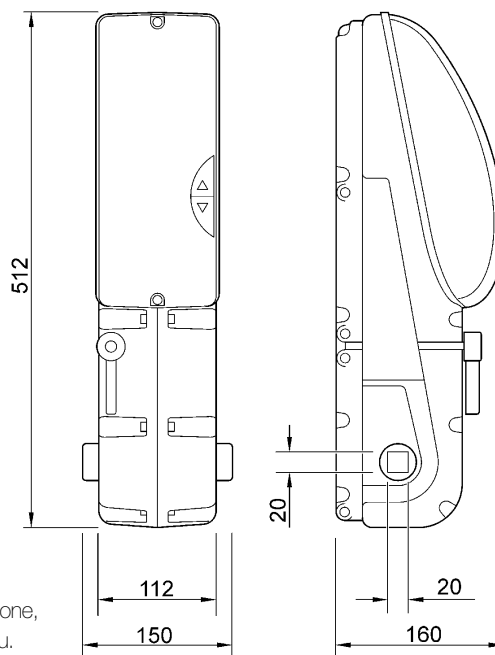
Model typ	Opis
TN2020*	Stosować jako "Slave" z TN2010 lub TN2030
TN2030	Samohamowny siłownik, centrala sterująca, krańcowy wyłącznik mechaniczny na otwarciu i zamknięciu, światelko nocne.
TNKCE	Samohamowny siłownik, centrala sterująca, krańcowy wyłącznik mechaniczny na otwarciu i zamknięciu, światelko nocne. Dostępny tylko w zestawie, nadaje się do automatyzacji z 1 centralnym silnikiem.

* W przypadku innego zastosowania, należy upewnić się, czy zasilanie pochodzi z linii o niskim napięciu bezpieczeństwa, w którym nie powstają napięcia wyższe od najniższego napięcia bezpieczeństwa.



1

Przed przystąpieniem do montażu, należy upewnić się czy części produktu są nienaruszone, czy wybrano odpowiedni model oraz czy nadaje się on do montażu w danym otoczeniu.



2.1) Ograniczenia eksploatacyjne

Osiągi siłownika TEN znajdują się w rozdziale "8 Dane techniczne" i są to jedyne wartości, które należy brać pod uwagę podczas oceny zdolności do użycia. Siłownik TEN nadaje się do automatyzacji bram uchylnych przy uwzględnieniu ograniczeń przedstawionych w tabeli 2..

Tabela 2: Ograniczenia eksploatacyjne siłownika TEN

Typ bramy	Jeden silnik		Dwa silniki	
	Maksymalna wysokość	Maksymalna długość	Maksymalna wysokość	Maksymalna długość
Brama uchylna wystająca poza obrys	2.6m	3m	2.6m	5.4m
Brama uchylna nie wystająca poza obrys	2.6m	3 m	2.6m	5.4m

Wymiary podane w tabeli 2 są przybliżone i służą wyłącznie do przygotowania oceny szacunkowej. Rzeczywista zdolność siłownika TEN do automatyzacji danej bramy zależy od wyważenia skrzydła, tarcia prowadnic i innych zjawisk – nawet tych o charakterze przejściowym, jak napór wiatru i tworzenie się lodu - które mogłyby stanowić przeszkodę w ruchu bramy. W celu uzyskania właściwych wartości należy bezwzględnie zmierzyć siłę potrzebną do wykonania pełnego manewru i sprawdzić czy nie został przekroczony "nominalny moment obrotowy", którego wartość jest podana w rozdziale "8 Dane techniczne". Natomiast informacje zawarte w tabelach 3 i 4 posłużą do ustalenia maksymalnej liczby cykli na godzinę oraz liczby cykli w ruchu ciągłym.

Tabela 3: Ograniczenia eksploatacyjne w zależności od siły potrzebnej do ruchu bramy przy użyciu 1 TNKCE lub TN2030

Siła potrzebna do ruchu bramy (Nm)	Maksymalna liczba cykli na godzinę			Maksymalna liczba cykli w ruchu ciągłym		
	TNKCE	TN2020	TN2030	TNKCE	TN2020	TN2030
Do 120	20	30	25	25	33	27
120÷180	18	28	23	23	31	25
180÷220	15	25	20	20	28	22

Tabela 4: Ograniczenia eksploatacyjne w zależności od siły potrzebnej do ruchu bramy przy użyciu 1TN2030 +1 TN2020

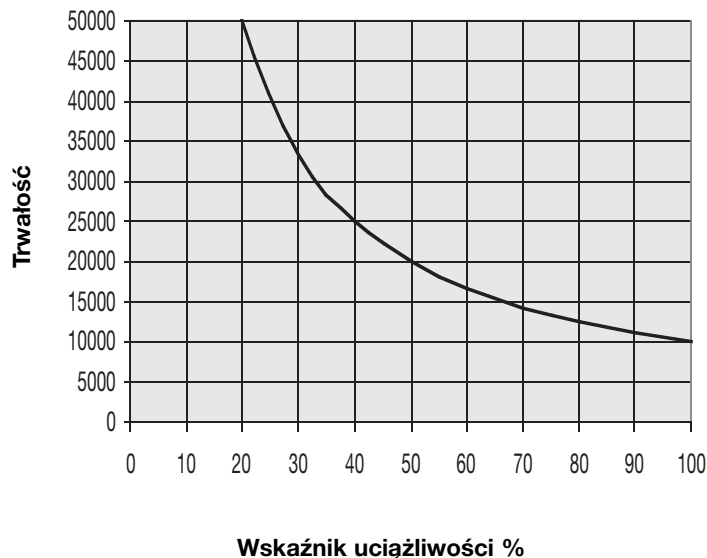
Siła potrzebna do ruchu bramy (Nm)	Maksymalna liczba cykli na godzinę	Maksymalna liczba cykli w ruchu ciągłym
Do 150	15	20
150÷250	13	17
250÷350	10	15

W celu uniknięcia przegrzania centrala jest wyposażona w ogranicznik, który, rejestrując wykorzystywaną siłę i liczbę cykli, interweniuje w momencie przekroczenia maksymalnego limitu.

Rozdział "8 Dane techniczne" zawiera także szacunkową ocenę "trwałości" tzn. średniej długości życia produktu. Na ten parametr w znaczący sposób wpływa wskaźnik uciążliwości manewrów, czyli suma wszystkich zjawisk, które przyczyniają się do zużycia produktu. W celu uzyskania oceny szacunkowej musimy zsumować wszystkie wskaźniki uciążliwości z Tabeli 5, a następnie sprawdzić otrzymany wynik na wykresie szacunkowej trwałości. Na przykład w przypadku siłownika TNK CE i bramy o wadze 130 kg (siła potrzebna do ruchu bramy to 150Nm), przy obecności fotokomórek i braku innych czynników przyczyniających się do zużycia, uzyskujemy wskaźnik uciążliwości 60% (30+20+10). Z wykresu wynika więc, że szacunkowa trwałość wynosi 18.000 cykli. Należy podkreślić, że szacowanie długości życia produktu opiera się na obliczeniach konstrukcyjnych i wynikach testów na prototypach. Jest to ocena szacunkowa i nie stanowi żadnej gwarancji co do rzeczywistej trwałości produktu.

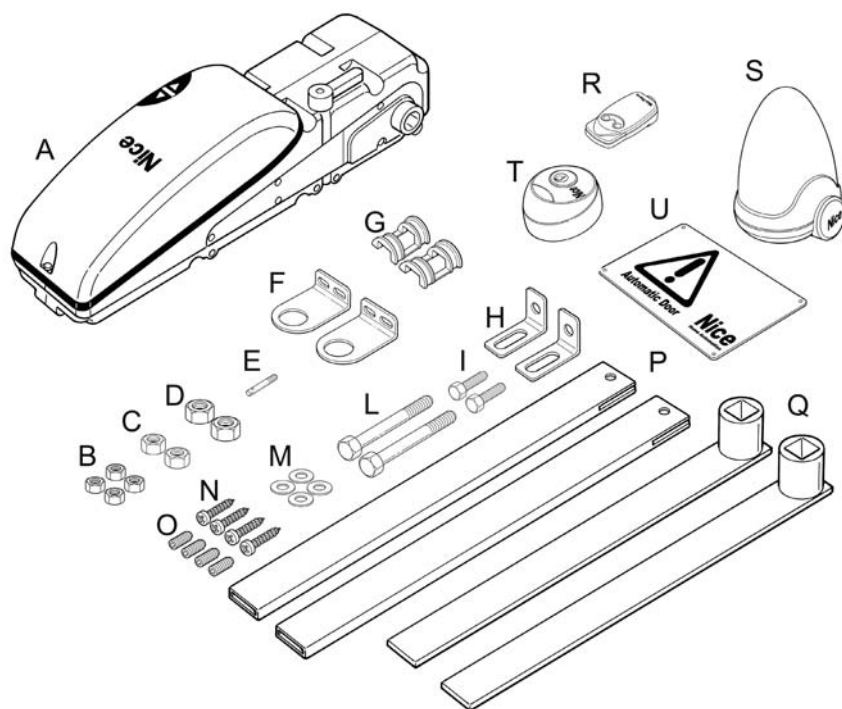
Tabela 5: Ocena szacunkowa trwałości produktu w zależności do wskaźnika uciążliwości manewru

Wskaźnik uciążliwości %	TNKCE	TN2030	
	TN2030	TN2020	+
Masa bramy Kg			
Do 70	20	10	
70 ÷ 150	30	20	
150 ÷ 200	40	30	
Ponad 200	60	50	
Siła potrzebna do ruchu bramy N			
Do 100	10	5	
100 ÷ 180	20	15	
180 ÷ 220	40	30	
220 ÷ 280	-	50	
Inne czynniki przyczyniające się do zużycia (należy je uwzględnić jeśli prawdopodobieństwo ich wystąpienia przekracza 10%)			
Temperatura otoczenia wzrasta powyżej 40°C lub spada poniżej 0° C lub wilgotność przekracza 80%			
Pył lub piasek	10	10	
Zasolenie	15	15	
Interwencja fotokomórek	20	20	
Interwencja wejścia STOP	10	10	
Prędkość, tryb szybki	20	20	
Prędkość, tryb szybki	15	15	
Wskaźnik uciążliwości ogółem %:			



2.2) Kontrola elementów produktu

- Sprawdź czy opakowanie jest nienaruszone;
- Odpakuj produkt i sprawdź czy zawiera on wszystkie opisane poniżej elementy (Rys. 2):

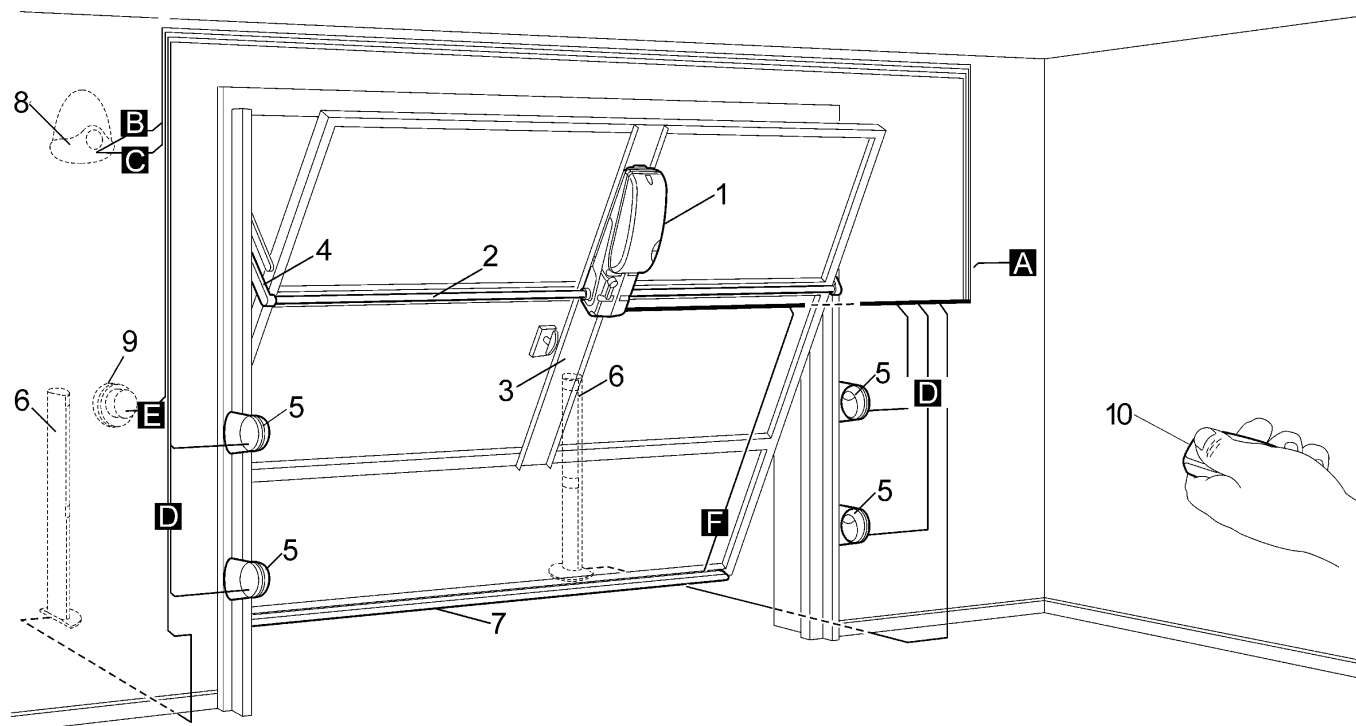


	ilość szt.	TNKCE
A	1	Siłownik TEN
B	4	Nakrętki M6
C	2	Nakrętki M8
D	2	Nakrętki M10
E	1	Drażek sprzęgła
F	2	Uchwyt wspornika ramienia
G	2	Tuleja łącząca
H	2	Uchwyt zaczepu górnego
I	2	Śruba M10x30
L	2	Śruba M8x110
M	4	Podkładki
N	4	Śruby samogwintujące 5.3x19
O	4	Wkręty bez łba M6x14
P	2	Rura teleskopowa
Q	2	Ramię proste z przyspawaną tulejką
R	1	Pilot
S	1	Lampa ostrzegawcza
T	2	Przełącznik
U	1	Tabliczka ostrzegawcza

	ilość szt.	TN2030 - TN2020
A	1	Siłownik TEN
B	2	Nakrętki M6
C	2	Nakrętki M8
E	1	Drażek sprzęgła
L	2	Śruby M8x110
M	2	Podkładki
O	2	Wkręty bez łba M6x14

2.3) Instalacja standardowa

Na rys. 3 pokazano standardową instalację automatyki do bram uchylnych wykonaną przy wykorzystaniu siłownika TEN.



2

- | | |
|-------------------------|---|
| 1 TEN | 7 Zabezpieczająca listwa krawędziowa |
| 2 Rura kwadratowa 20x20 | 8 Lampa ostrzegawcza 12V z wbudowaną anteną |
| 3 Uchwyt wspomnika | 9 Przełącznik na klucz |
| 4 Ramię teleskopowe | 10 Pilot |
| 5 Fotokomórki | |
| 6 Fotokomórki na słupku | |

2.4) Wykaz przewodów

Na rys. 3 zaznaczono przewody potrzebne do podłączenia poszczególnych urządzeń. Opis tych przewodów znajduje się w tabeli 6.

⚠ Przewody stosowane do podłączenia poszczególnych urządzeń muszą być dostosowane do typu instalacji – np. w przypadku instalacji w pomieszczeniach zaleca się przewód typu H03VV-F.

Tabela 6: Wykaz przewodów

Połączenie	Typ przewodu	Maksymalna dozwolona długość
A – Elektryczna linia zasilania	szt. 1 przewód (3 x 1,5 mm ²)	30 m (*)
B – Lampa ostrzegawcza 12V	szt. 1 przewód (2 x 1 mm ²)	20 m
C - Antena	szt. 1 przewód ekranowany (typ RG58)	20 m (zalecany: krótszy niż 5 m)
D – Fotokomórka nadawcza	szt. 1 przewód (2 x 0,25 mm ²)	20 m
D – Fotokomórka odbiorcza	szt. 1 przewód (3 x 0,25 mm ²)	20 m
E – Przełącznik na klucz	szt. 2 przewody (2 x 0,25 mm ²)	20 m
F – Zabezpieczająca listwa krawędziowa	szt. 1 przewód (2 x 0,25 mm ²)	20 m

Pamiętaj: (*) Jeśli długość przewodu zasilającego przekracza 30m, należy użyć przewodu o przekroju większym (np. 3 x 2,5mm²). W pobliżu automatyki potrzebne jest też wówczas uziemienie zabezpieczające.

3) Montaż

⚠ Montaż siłownika TEN musi być przeprowadzony przez wykwalifikowany personel, zgodnie z obowiązującymi przepisami, normami i uregulowaniami prawnym oraz według zaleceń zawartych w niniejszej instrukcji.

3.1) Kontrola wstępna

Przed przystąpieniem do montażu siłownika TEN należy sprawdzić następujące punkty:

- Upewnij się czy wszystkie elementy, których będziesz używał są w idealnym stanie, nadają się do użycia i są zgodne z obowiązującymi normami.
- Upewnij się czy waga i wymiary skrzydła mieszczą się w ograniczeniach eksploatacyjnych określonych w punkcie "2.1 Ograniczenia eksploatacyjne".
- Upewnij się, porównując z wartościami wskazanymi w rozdziale "8 Dane techniczne", czy tarcie statyczne (tzn. siła potrzebna do wprawienia bramy w ruch) wynosi mniej niż połowę wartości "Maksymalnego momentu obrotowego", a tarcie dynamiczne (tzn. siła potrzebna do utrzymania bramy w ruchu) wynosi mniej niż połowę "Nominalnego momentu obrotowego". Zaleca się przyjęcie marginesu 50% w odniesieniu do tych sił ponieważ złe warunki klimatyczne mogą zwiększyć tarcie.
- Upewnij się czy w czasie całego ruchu bramy uchylnej, zarówno podczas manewru otwarcia jak i zamknięcia, nie występują miejsca zwiększonego tarcia.
- Upewnij się czy ograniczniki mechaniczne są wystarczająco solidne i czy nie występuje ryzyko, że brama wypadnie z prowadnic.
- Upewnij się czy brama jest dobrze wyważona – nie powinna ruszać się jeśli pozostawisz ją bez ruchu, niezależnie od pozycji.
- Upewnij się czy mocowania poszczególnych urządzeń (fotokomórek, przycisków, itd.) znajdują się w miejscach chronionych przed uderzeniami, a powierzchnie mocujące są wystarczająco solidne.
- W zależności od typu bramy – wystającej poza obrys, niewystającej poza obrys lub segmentowej – sprawdź czy istnieje możliwość przymocowania siłownika TEN na wysokości wskazanej odpowiednio na rys. 5, 6 lub 7.

- Jeśli pomiędzy ramieniem wspornika a stałą częścią bramy brakuje miejsca, należy zastosować "ramiona łamane" w celu uniknięcia skrzyżowania elementów.
- Unikaj zetknięcia elementów automatyki z wodą lub innymi płynami.
- Nie trzymaj elementów siłownika TEN blisko źródeł ciepła i płomieni. Mogłoby to doprowadzić do zniszczenia produktu, spowodować błędne działanie, pożar lub groźne sytuacje.
- W przypadku gdy w bramie znajdują się drzwi przejściowe należy upewnić się czy nie przeszkadzają one w normalnym manewrze i wyposażyć je w o odpowiedni system wzajemnej blokady.
- Podłącz centralę do linii zasilania wyposażonej w uziemienie zabezpieczające.
- Linia zasilania musi być odpowiednio zabezpieczona przy użyciu bezpieczników magnetyczno termicznych i różnicowych. Na linii zasilania z sieci elektrycznej należy umieścić urządzenie odcinające zasilanie (z III kategorią przeięcia tzn. odległość pomiędzy stykami wynosi min. 3,5 mm) lub inny równoważny system na przykład gniazdko i wtyczkę. Jeśli urządzenie odłączające zasilanie nie znajduje się w pobliżu automatyki, musi być wyposażone w odpowiedni system uniemożliwiający przypadkową lub nieautoryzowaną aktywację.

3.2) Montaż siłownika

Miejsce montażu siłownika TEN zależy od typu bramy przeznaczonej do automatyzacji i od ograniczeń wskazanych w punkcie "2.1 Ograniczenia eksploatacyjne".

PAMI TAJ: Przy montażu 2 silników należy postępować według procedury dla 1 silnika, wykonując instalację zgodnie z zaleceniami rys. 14.

1. Po określeniu typu bramy należy zamocować, idealnie w pionie, wspornik skrzydła (Rys.4), pamiętając o zalecanych wysokościach.
 - 1.1 W przypadku bram uchylnych wystających poza obrys, oś rotacji ramion siłownika musi znajdować się 50 ± 100 mm poniżej sworznia ramienia nośnego bramy (Rys. 5)
 - 1.2 W przypadku bram uchylnych nie wystających poza obrys, oś rotacji ramion siłownika, musi być na tym samym poziomie co sworznie ramienia nośnego (Rys. 6)
 - 1.3 W przypadku uchylnych bram segmentowych, oś rotacji ramion, musi znajdować się 50 ± 100 mm poniżej przegubu bramy (Rys. 7).

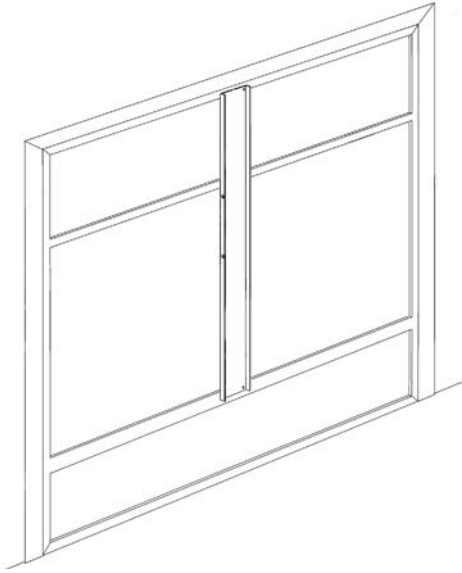
⚠ W przypadku montażu siłownika TEN "do góry nogami" należy odpowiednio zaprogramować centralę sterującą, patrz podpunkt "7.3.6 Programowanie kierunku montażu siłownika TEN".
2. Przymocuj siłownik do uchwytu przy użyciu odpowiednich śrub (Rys. 8).
3. Wysprzęglij siłownik obracając dźwignię przeciwnie do ruchu wskazówek zegara (Rys. 9)
4. Przymocuj mocno boczne uchwyty wspornika, ustawiając je idealnie w osi z wałem obrotowym silnika i włóż tuleje łączące znajdujące się na wyposażeniu (Rys. 10).

W zależności od ilości miejsca pomiędzy ramieniem wspornika, a stałą ramą bramy użyj ramion prostych lub łamanych.

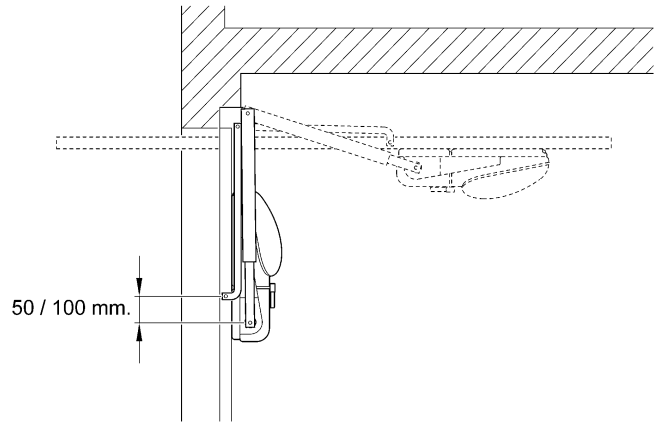
5. Przymocuj górny uchwyt do ramy skrzydła (Rys. 11). Jeśli uchwyt był zamocowany wcześniej upewnij się czy nadaje się do ramion, które chcesz zastosować. Wysokości podane na rys. 11 są przybliżone i mogą zmieniać się w zależności od wymiarów bramy.
6. Włóż rurę napędu w tuleję ramienia oraz w wał silnika. Przytnij rurę na odpowiedni wymiar (Rys. 12)
7. Otwórz całkowicie bramę i przytnij ramiona na odpowiedni rozmiar. Pamiętaj, że przy zamkniętej bramie powinny zagłębiać się na co najmniej 70 mm (Rys. 13). W przypadku zbyt małej długości, zmień pozycję górnego wspornika lub wybierz dłuższe ramiona.
8. Włóż ramiona w odpowiednie prowadnice i upewnij się czy brama przemieszcza się swobodnie i bez przeszkód.

Sprawdź ponownie czy brama jest dobrze wyważona – nie powinna ruszać się jeśli pozostawisz ją bez ruchu, niezależnie od pozycji. Jeśli zachodzi taka potrzeba wyreguluj system wyważania.

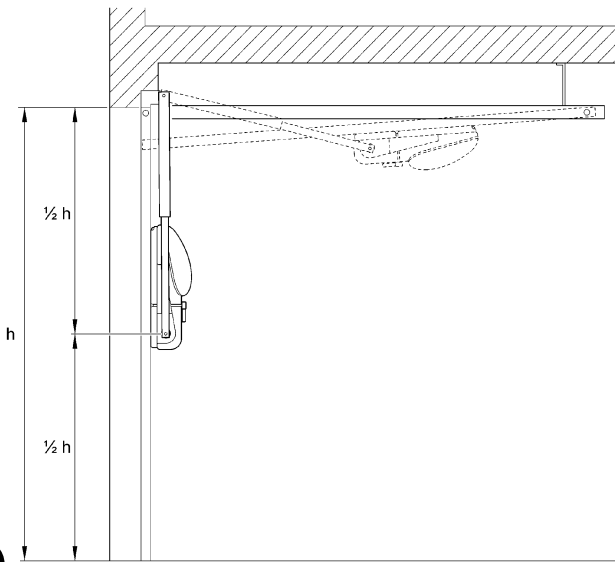
4



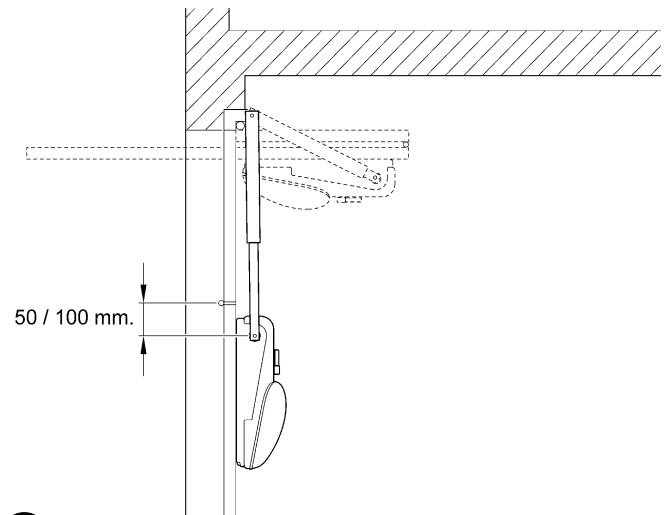
5



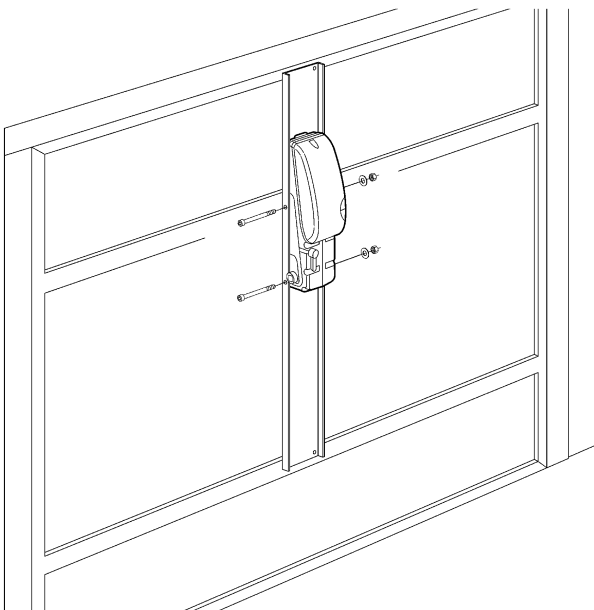
6



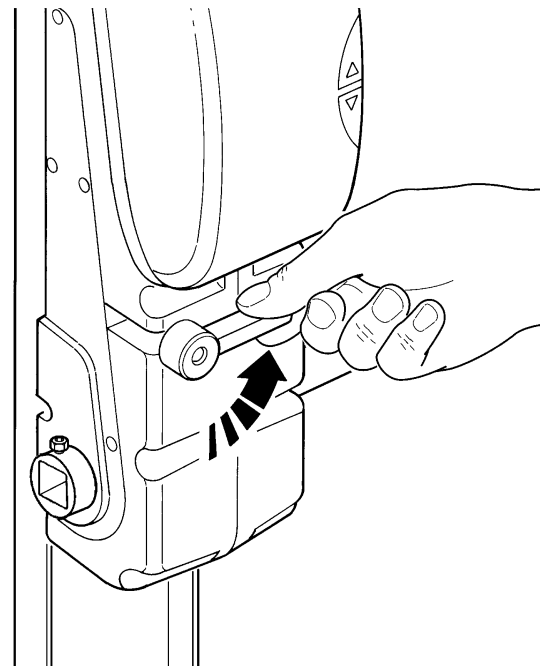
7

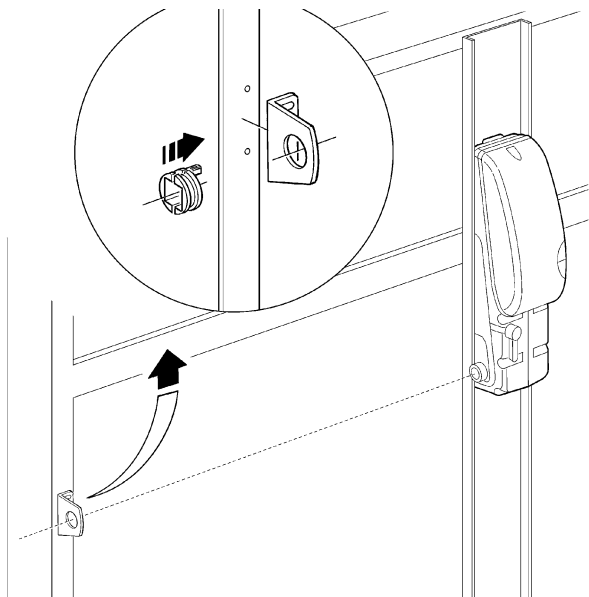


8

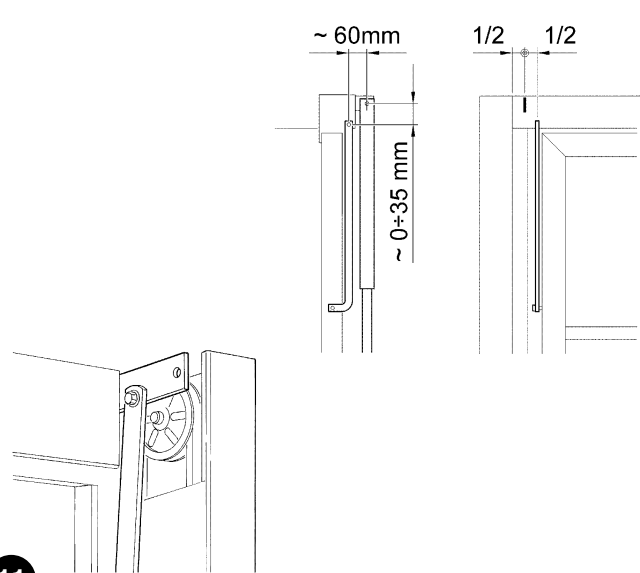


9

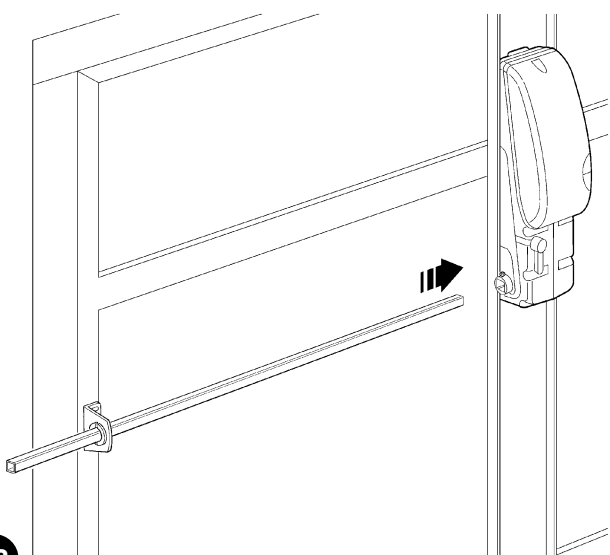




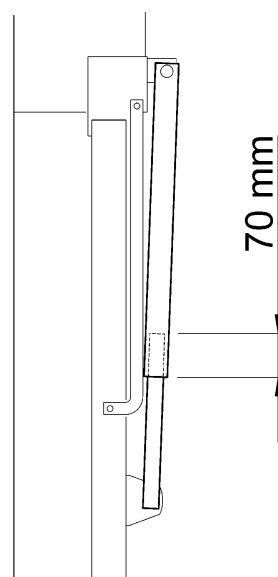
10



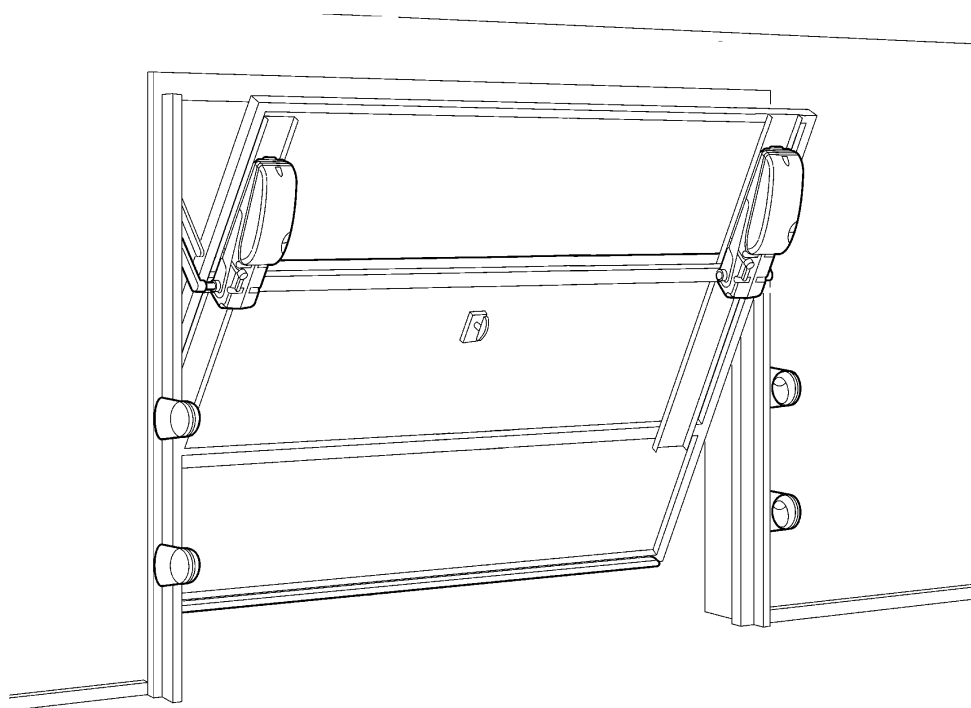
11



12



13



14

PL

3.3) Ustawienie wyłączników krańcowych

Wysprzęgljij siłownik i przeprowadź następującą procedurę: odkręć śruby i zdejmij boczną osłonę (Rys. 15)

Krańcowy wyłącznik otwarcia: (Rys. 16)

1. Otwórz całkowicie bramę
2. Przekręć wewnętrzny mimośród przeciwnie do ruchu wskazówek zegara aż usłyszysz klik mikroprzełącznika (zadziała)
3. Dokręć mocno śrubę mocującą przy użyciu klucza ampułowego

Krańcowy wyłącznik zamknięcia: (Rys. 17)

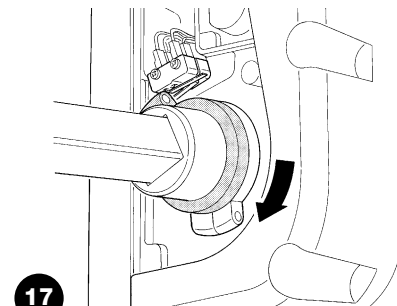
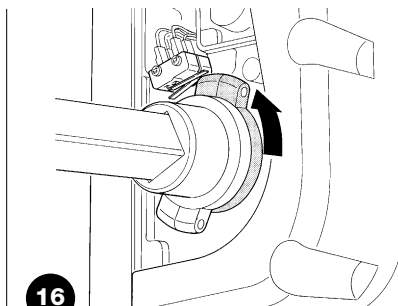
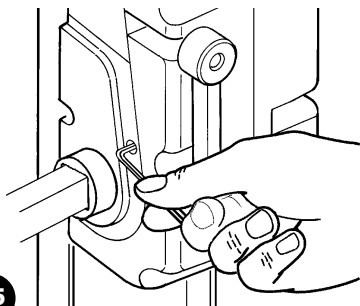
1. Zamknij całkowicie bramę (zatrzymaj ją na około 2 cm, przed ogranicznikiem końcowym)

2. Przekręć zewnętrzny mimośród zgodnie z ruchem wskazówek zegara aż usłyszysz klik mikroprzełącznika (zadziała).

3. Dokręć mocno śrubę mocującą przy użyciu klucza ampułowego.

⚠ Manewr zamknięcia nie kończy się wyłącznie na skutek zadziałania wyłącznika krańcowego, ale poprzez połączone działanie wyłącznika krańcowego i ogranicznika końcowego

Założ boczna osłonę. Uważaj na poprawne ułożenie przewodów i uszczelek.



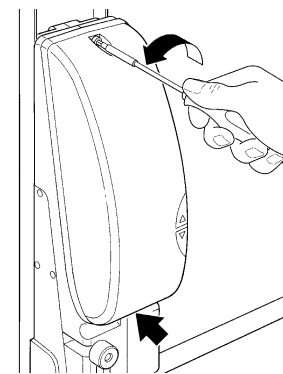
3.4) Montaż pozostałych urządzeń

Zamontuj pozostałe urządzenia zgodnie z odpowiednimi zaleceniami. Sprawdź w punkcie "3.5.1 Opis połączeń elektrycznych" i na rysunku 20 jakie urządzenia można podłączyć do siłownika TEN.

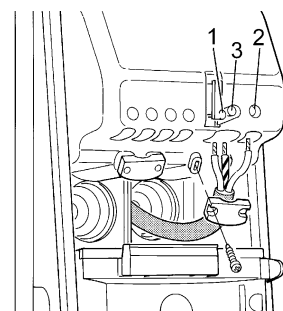
3.5) Połączenia elektryczne

⚠ Pamiętaj o odłączeniu napięcia przed przystąpieniem do wykonywania połączeń elektrycznych.

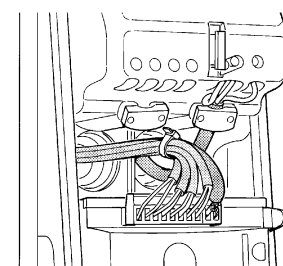
1. W celu przystąpienia do realizacji połączeń elektrycznych odkręć śruby pokrywy (Rys. 18)
2. Zdejmij dwie gumowe membrany, które zamykają dwa otwory, przez które zostaną poprowadzone przewody. Wytnij w membranie otwór i przelóż przewód zasilania przez membranę i prawy otwór. Następnie wytnij drugi otwór w membranie i przelóż przewody od pozostałych urządzeń przez membranę i lewy otwór. Zostaw przewody dłuższe o 20÷30 cm niż potrzeba. Sprawdź typ przewodów w tabeli 6.
3. Podłącz przewód zasilania z sieci bezpośrednio do zacisków 1 (faza), 2 (neutralny) i 3 (ziemia). Zablokuj przewód przy użyciu opaski zaciskowej, tak jak pokazano to na rys. 19
4. Podłącz pozostałe przewody według schematu na rys. 20. Istnieje możliwość wyjęcia zacisków co usprawnia wykonanie połączeń.
5. Po zakończeniu podłączeń, zbierz i zablokuj przewody przy użyciu opasek zaciskowych (Rys. 21).



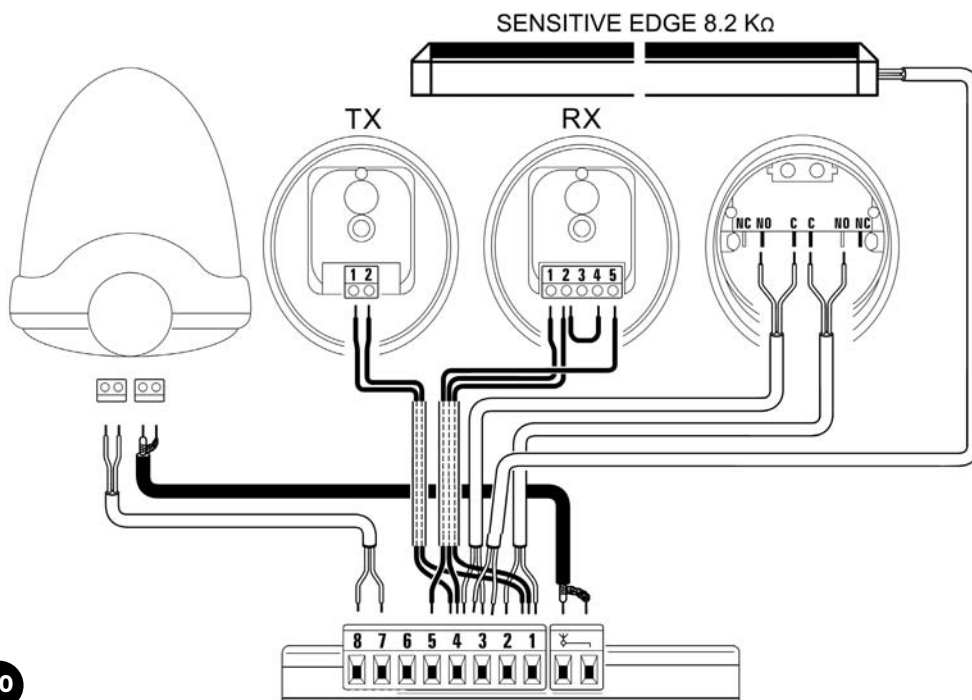
18



19




21



20

3.5.1) Opis połączeń elektrycznych

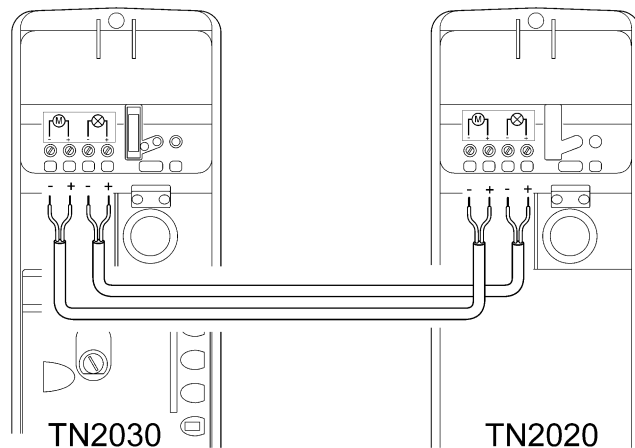
Punkt ten zawiera tylko krótki opis połączeń elektrycznych: więcej informacji znajduje się w punkcie "7.3 Dodanie lub usunięcie urządzeń".

Nr	Typ zacisku	Podłączona usługa lub urządzenie
	Antena	wejście do podłączenia anteny do odbiornika. Antena jest wbudowana w LUCY B. Alternatywnie istnieje także możliwość użycia anteny zewnętrznej lub pozostawienia kawałka przewodu już wcześniej znajdującego się w zacisku, który działa jak antena.
1-2	Krok po kroku	Wejście dla urządzeń, które sterują ruchem. Można podłączyć styki typu "Normalnie Otwarty" NO.
3-4	Stop	Wejście dla urządzeń, które blokują lub zatrzymują rozpoczęty manewr. Przy użyciu specjalnych sposobów można podłączyć na wejściu styki typu "Normalnie Zamknięty" NZ, "Normalnie Otwarty" NO lub urządzenie o stałej oporności 8.2KΩ. Więcej informacji o wejściu STOP znajduje się w podpunkcie "7.3.1 Wejście STOP".
1-5	Foto	Wejście dla urządzeń zabezpieczających takich jak fotokomórki, które interweniują podczas manewru zamknięcia, powodując ruch w przeciwną stronę. Można podłączyć styki typu "Normalnie Zamknięty" NZ. Więcej informacji o wejściu FOTO znajduje się w podpunkcie "7.3.2 Wejście FOTO".
4-6	Fototest lub zamek elektryczny	Za każdym razem gdy zostaje wydane polecenie manewru, ma miejsce kontrola wszystkich urządzeń bezpieczeństwa. Manewr rozpoczyna się tylko jeśli test ma wynik pozytywny. Jest to możliwe dzięki użyciu specjalnego typu połączeń. Nadajniki fotokomórek "TX" są zasilane niezależnie od odbiorników "RX". Więcej informacji o tym połączeniu znajduje się w podpunkcie "7.3.2 Wejście FOTO". Funkcja zamka elektrycznego została opisana w podpunkcie "7.3.3 Zamek elektryczny".
7-8	Lampa ostrzegawcza	Do tego wyjścia można podłączyć lampę ostrzegawczą NICE "LUCY B" z żarówką samochodową 12V 21W. W czasie manewru lampa miga - 0.5 sekundy pali się i 0.5 sekundy jest zgaszona.

3.5.2) Połączenie elektryczne drugiego silnika

Jeśli instalacja przewiduje 2 silniki - TN2030 i TN2020, połączenie elektryczne drugiego silnika należy wykonać w następujący sposób.

1. W siłowniku TN2030 wykonać te same połączenia co w przypadku montażu z jednym tylko silnikiem.
2. Połączyć przewody "drugiego silnika" i "światelka nocnego drugiego silnika" pomiędzy centralą sterującą TN2030 a listwą zaciskową TN2020, zgodnie ze wskazaniem rys. 22 i zwracając uwagę na wskazaną biegunowość.



22

4) Kontrola końcowa i uruchomienie

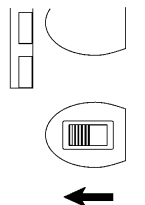
Przed przystąpieniem do etapu kontroli i uruchomienia automatyki zaleca się ustawienie bramy mniej więcej w połowie ruchu, tak aby mogła ona wykonać zarówno ruch zamknięcia jak i otwarcia.

4.1) Wybór typu instalacji

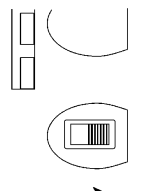
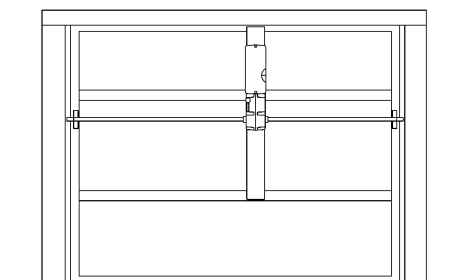
W zależności od typu instalacji, tzn. czy jest to instalacja z 1 silnikiem czy z 2 silnikami, należy odpowiednio ustawić przełącznik na centrali. Jeśli instalacja przewiduje wykorzystanie 1 silnika należy przesunąć przełącznik w lewo, jak pokazano to na rys. 23.

Jeśli instalacja przewiduje wykorzystanie 2 silników należy przesunąć przełącznik w prawo, jak pokazano to na rys. 24.

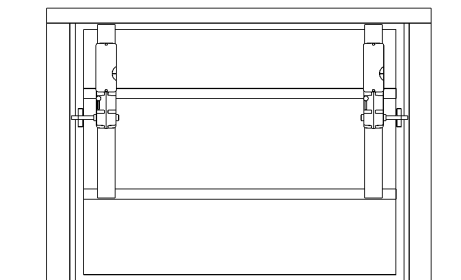
⚠ Nie należy ustawiać przełącznika na 2 silniki jeśli jest podłączony tylko jeden. Istnieje ryzyko niewłaściwego działania lub uszkodzenia silnika



23



24



4.2) Podłączenie zasilania

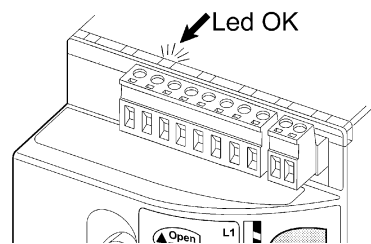
⚠ Podłączenie zasilania do siłownika TEN musi być wykonane przez doświadczonych techników z odpowiednimi kwalifikacjami, którzy spełniają odpowiednie wymagania. Podłączenie musi być wykonane zgodnie z obowiązującymi przepisami, prawami i uregulowaniami.

Natychmiast po podłączeniu siłownika TEN do zasilania zaleca się przeprowadzenie kilku prostych testów:

1. Upewnij się czy dioda OK miga regularnie co 1 sekundę (Rys. 25).
2. Upewnij się czy lampa ostrzegawcza i światelko nocne są zgaszone.

Jeśli przeprowadzona kontrola nie da pozytywnych rezultatów odłącz natychmiast zasilanie i sprawdź ponownie połączenia elektryczne centrali. Więcej informacji potrzebnych do odnalezienia i diagnozy uszkodzeń znajduje się w punkcie "7.6 Rozwiązywanie problemów".

25



4.3) Programowanie pozycji otwarcia i zamknięcia bramy

Pozycja otwarcia i zamknięcia bramy musi zostać wczytana. Zostaje rozpoznany ruch bramy od ogranicznika zamknięcia do ogranicznika otwarcia, niezbędny do obliczenia miejsc spowolnienia ruchu i pozycji częściowego otwarcia. Na tym etapie jest także rozpoznawana i wczytywana konfiguracja wejścia STOP i obecność lub brak połączenia wejścia FOTO w trybie "Fototest" (patrz podpunkt "7.3.2 Fotokomórki"). Ponadto podczas całej tej fazy centrala zapamiętuje siłę potrzebną do przeprowadzenia ruchu otwarcia i zamknięcia.

1. Wciśnij i przytrzymaj przyciski **[▼]** oraz **[Set]** (Rys. 26)
2. Zwolnij przyciski po około 3 sekundach, kiedy rozpoczyna się manewr
3. Zaczekaj aż centrala zakończy fazę zapamiętywania: zamknięcie, otwarcie i ponowne zamknięcie bramy
4. Wciśnij przycisk **[OPEN]** w celu wykonania manewru całkowitego otwarcia.
5. Wciśnij przycisk **[CLOSE]** w celu wykonania manewru zamknięcia

Jeśli testy te dają wynik negatywny odłącz natychmiast zasilanie centrali i sprawdź ponownie połączenia elektryczne. Jeśli po zakończeniu etapu zapamiętywania diody L2 i L3 migają oznacza to, że wystąpił błąd. Przejdź do punktu "7.6 Rozwiązywanie problemów".

Podczas tych manewrów centrala wykonuje zapamiętuje siłę potrzebną do wykonania ruchu otwarcia i zamknięcia. Procedura uczenia pozycji otwarcia i zamknięcia bramy oraz konfiguracji wejść STOP i FOTO może zostać powtórzona w każdym momencie, także po zakończeniu montażu (np. jeśli trzeba zmienić pozycję jednego z mimośrodów wyłącznika krańcowego). Należy wówczas powtórzyć procedurę od punktu 1.

26



4.4) Kontrola ruchu bramy

Po zakończeniu procedury uczenia pozycji zaleca się wykonanie kilku manewrów w celu sprawdzenia prawidłowego ruchu bramy.

1. Wciśnij przycisk **[OPEN]**, aby wydać polecenie "Otwiera". Sprawdź czy brama otwiera się prawidłowo i czy nie ma zmian w szybkości ruchu. Brama zwalnia dopiero kiedy znajduje się w odległości 15 i 5 cm od wyłącznika krańcowego otwarcia, a następnie, gdy wyłącznik zadziała, zatrzymuje się.
2. Wciśnij przycisk **[CLOSE]**, aby wydać polecenie "Zamyka". Upewnij się czy manewr zamknięcia rozpoczyna się łagodnym startem, czy potem następuje zmiana prędkości (o ile taka funkcja jest aktywna) i wreszcie czy brama, w odległości 70 i 50 cm od wyłącznika krańcowego zamknięcia, zwalnia i zatrzymuje się gdy zadziała krańcowy wyłącznik zamknięcia.
3. Upewnij się czy lampa ostrzegawcza miga podczas manewru - 0.5 sekundy pali się i 0.5 sekundy jest zgaszona.
4. Wykonaj kilka manewrów otwarcia i zamknięcia w celu stwierdzenia ewentualnych wad w montażu i ustawieniu oraz ewentualnych innych anomalii jak np. miejsca z większym tarciem.
5. Upewnij się czy mocowanie siłownika TEN, ramion i uchwytów, jest solidne i odpowiednio wytrzymałe również podczas nagłego przyspieszenia czy spowolniania ruchu bramy.

4.5) Funkcje ustawione fabrycznie

Centrala sterująca TEN posiada kilka funkcji, które mogą być regulowane. Fabryczne ustawienie tych funkcji powinno pasować do większości automatyk. Funkcje te mogą jednak zostać zmienione w każdej chwili przy wykorzystaniu odpowiedniej procedury programowania. Więcej informacji na ten temat znajduje się w punkcie "7.2 Programowanie".

4.6) Odbiornik radiowy

W celu zdalnego sterowania siłownikiem TEN, centrala sterująca ma wbudowany odbiornik radiowy, który działa na częstotliwości 433.92 MHz i jest kompatybilny z następującymi typami nadajników (Tabela 7):

Ze względu na różny typ kodowania pierwszy wczytany nadajnik determinuje rodzaj pozostałych nadajników, które można będzie przyłączyć później. Można wczytać maksymalnie 160 nadajników.

Tabela 7: Nadajniki

Typ kodowania	Model
FLO	FLO1 – FLO2 – FLO4 VERY VE
FLOR	FLOR1 – FLOR2 – FLOR4 VERY VR ERGO1 – ERGO4 – ERGO6 PLANO1 – PLANO4 – PLANO6-NICEWAY (cała linia)
SMILO	SM2 – SM4

4.7) Wczytywanie nadajników

Każdy nadajnik jest rozpoznawany przez odbiornik radiowy dzięki "kodowi" indywidualnemu dla każdego nadajnika. Należy w związku z tym przeprowadzić etap "wczytywania", aby odbiornik nauczył się rozpoznawać poszczególne nadajniki. Wczytywanie nadajników może przebiegać w 2 trybach:

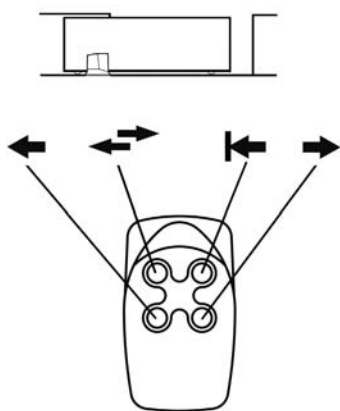
Tabela 8: Wczytywanie w Trybie I

Przycisk T1	Polecenie "Krok po kroku"
Przycisk T2	Polecenie "Otwarcie częściowe"
Przycisk T3	Polecenie "Otwiera"
Przycisk T4	Polecenie "Zamyka"

Pamiętaj: nadajniki jednokanałowe posiadają tylko przycisk T1, nadajniki dwukanałowe posiadają tylko przyciski T1 i T2.

Tryb I: w tym trybie funkcja przycisków nadajnika jest stała i każdy przycisk odpowiada na centrali poleceniu wskazanemu w Tabeli 8. Jeden etap wczytywania wystarczy na wszystkie nadajniki, w których wczytywane są wszystkie przyciski. Podczas tej fazy nie jest istotne, który przycisk przyciskamy. Zostaje zajęte tylko jedno miejsce w pamięci.

W **Trybie I** jeden nadajnik może zazwyczaj sterować tylko jedną automatyką, patrz np.



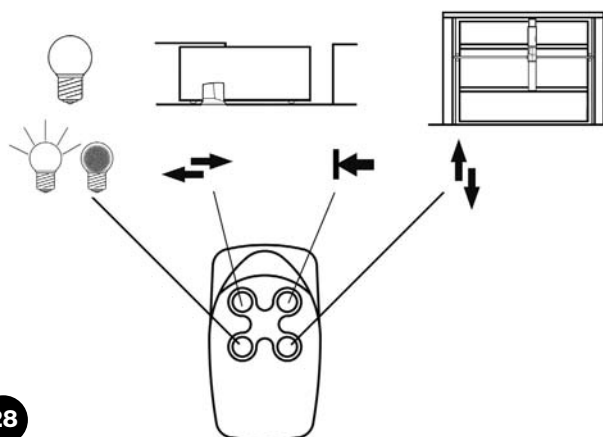
27

Tabela 9: Polecenia dostępne w Trybie II

Polecenie 1	"Krok po kroku"
Polecenie 2	"Otwarcie częściowe"
Polecenie 3	"Otwiera"
Polecenie 4	"Zamyka"

Tryb II: w tym trybie każdy przycisk nadajnika może zostać przypisany do jednego z 4 poleceń centrali opisanych w Tabeli 9. Jednorazowo jest wczytywany tylko jeden przycisk - ten który wciskamy podczas etapu wczytywania. Każdy wczytywany przycisk zajmuje jedno miejsce w pamięci.

W **Trybie II** nadajnik z kilkoma przyciskami może sterować większą liczbą automatyk. Patrz przykład na rys. 28.



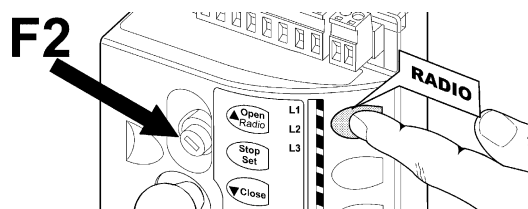
28

⚠ Ponieważ procedury wczytywania mają ograniczenie czasowe (10 sekund), należy koniecznie najpierw przeczytać zalecenia opisane w poniższych punktach, a dopiero potem przystąpić do ich realizacji.

⚠ Wczytywanie i kasowanie nadajników musi nastąpić w ciągu pierwszych 10 sekund po załączeniu zasilania. W tym przedziale czasowym przycisk na centrali [▲/OPEN/RADIO] pozwala na wczytanie i kasowania nadajników. Po upływie 10 sekund od ostatniego mignięcia diody L1 lub od ostatniego wciśnięcia przycisku, przycisk ten przejmuje swoje podstawowe funkcje sterowania [OPEN] i programowania [▲].

Aby zasignalizować koniec czasu przeznaczanego na wczytywanie nadajników światelko nocne miga 1 raz.

4.7.1) Wczytywanie w trybie I



29

Tabela 10: Wczytywanie nadajnika w trybie I







	Przykład
1. Wyłącz i po minimum 3 sekundach włącz ponownie siłownik TEN (np. wyjmując F2) (Rys. 29)	OFF → 3s → ON
2. W ciągu 10 sekund od włączenia, wciśnij i przytrzymaj przez przynajmniej 4 sekundy przycisk RADIO na centrali (Rys. 29)	▲ (4s)
3. Zwolnij przycisk kiedy zapali się dioda "radio" L1	L1 (dioda) → ▲
4. W ciągu 10 sekund wciśnij i przytrzymaj przez przynajmniej 3 sekundy jeden z przycisków nadajnika, który zamierzasz wczytać.	▲ (3s)
5. Jeśli wczytywanie udało się dioda radio na centrali mignie 3 razy.	▲ (x3)

Jeśli chcesz wczytać inne nadajniki, powtórz punkt 4 w ciągu kolejnych 10 sekund.

Etap wczytywania kończy się jeśli przez 10 kolejnych sekund nie zostaną odebrane nowe kody.

PL

4.7.2) Wczytywanie w trybie II







Tabela 11: Wczytywanie przycisku nadajnika w trybie II		Przykład
1.	Wyłącz i po minimum 3 sekundach włącz ponownie siłownik TEN (np. wyjmując F2)	 3s 
2.	W ciągu 10 sekund od włączenia, wciśnij przycisk Radio na centrali ilość razy odpowiadającą żądanemu poleceniu. Patrz tabela 9 (1=Krok po kroku; 2=Otwarcie częściowe; 3=Otwiera; 4=Zamyka)	 1...4
3.	Sprawdź czy dioda radio na centrali mignie liczbę razy odpowiadającą konkretnemu poleceniu (mignięcia powtórzone po krótkiej przerwie).	 1...4
4.	W ciągu 10 sekund wciśnij i przytrzymaj przez przynajmniej 3 sekundy przycisk nadajnika, który zamierzasz wczytać.	 3s
5.	Jeśli wczytywanie udało się dioda radio na centrali mignie 3 razy.	 x3

Jeśli chcesz wczytać inne nadajniki, powtórz punkt 3 w ciągu kolejnych 10 sekund.
Etap wczytywania kończy się jeśli przez 10 kolejnych sekund nie zostaną odebrane nowe kody.

4.7.3) Wczytywanie "w pobliżu odbiornika"





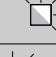






Istnieje możliwość wczytania nowego nadajnika bez konieczności wciskania przycisku na odbiorniku. W tym celu należy posiadać wcześniej wczytany i działający pilot. Nowy nadajnik zostanie wczytany z tymi samymi właściwościami co uprzednio wczytany nadajnik. Jeśli więc początkowy nadajnik został wczytany w trybie I, również nowy nadajnik zostanie wczytany w trybie I – można przycisnąć dowolny przycisk nadajnika. Jeśli natomiast początkowy nadajnik został wczytany w trybie II, również nowy nadajnik zostanie wczytany w trybie II – należały wówczas pamiętać o wciśnięciu, na pierwszym nadajniku, przycisku odpowiadającego żądanemu poleceniu, a na drugim nadajniku przycisku, który ma zostać przypisany do tego polecenia.

⚠ Podczas wczytywania "w pobliżu odbiornika" sygnał może być odebrany przez wszystkie odbiorniki znajdujące się w zasięgu wczytanego wcześniej nadajnika. W związku z tym należy upewnić się, że wyłączając odbiornik, do którego mają być wczytane nadajniki jest podłączony do zasilania.

Tabela 12: wczytywanie nadajnika w pobliżu odbiornika		Przykład
1.	Stań z dwoma nadajnikami w pobliżu odbiornika i wykonaj następujące czynności:	
2.	Wciśnij i przytrzymaj min. przez 5 sekund przycisk na nowym nadajniku radiowym, potem zwolnij przycisk	 5s 
3.	Wciśnij wolno 3 razy przycisk na nadajniku radiowym wczytanym wcześniej.	 1s  1s  1s
4.	Wciśnij wolno 1 raz przycisk na nowym nadajniku radiowym.	 1s

Teraz nowy nadajnik radiowy zostanie rozpoznany przez odbiornik i "odziedziczy" właściwości, które miał wcześniej wczytany nadajnik.
Jeśli chcesz wczytać inne nadajniki, powtórz wszystkie kroki z każdym nowym nadajnikiem.

4.7.4) Kasowanie nadajników

Tabela 13: Kasowanie wszystkich nadajników		Przykład
1.	Wyłącz i po minimum 3 sekundach włącz ponownie siłownik TEN (np. wyjmując F2)	 3s 
2.	W ciągu 10 sekund od włączenia, wciśnij i przytrzymaj przycisk RADIO na centrali	
3.	Dioda radio zapali się, potem zgaśnie i wreszcie mignie 3 razy.	   x3
4.	Zwolnij przycisk RADIO dokładnie w momencie 3. mignięcia.	   
5.	Jeśli procedura powiodła się, po kilku chwilach, dioda mignie 5 razy.	 x5

5) Odbiór techniczny i przekazanie do eksploatacji

Jest to najważniejszy etap w instalacji automatyki, który ma zagwarantować jak największe bezpieczeństwo. Odbiór techniczny może być stosowany również jako okresowa kontrola urządzeń automatyki.

⚠ Odbiór techniczny całej instalacji musi być wykonany przez doświadczonego i wykwalifikowanego personel, który musi

wziąć na siebie odpowiedzialność za przeprowadzenie wymaganych testów, pamiętając o istniejącym zagrożeniu i sprawdzić czy spełnione są wymagania zawarte w przepisach, normach i regulaminach, a w szczególności wszystkie wymagania normy EN 12445, ustalającej metody testów do kontroli automatyki bram i drzwi.

5.1) Odbiór techniczny

Każda część automatyki, np. zabezpieczające listwy krawędziowe, fotokomórki, stop bezpieczeństwa itd., wymaga osobnego odbioru technicznego. W odniesieniu do tych urządzeń należy zastosować procedury opisane w odnośnych instrukcjach. Procedura odbioru technicznego siłownika TEN składa się z następujących czynności:

1. Upewnij się czy wszelkie zalecenia zawarte w niniejszej instrukcji, a w szczególności w rozdziale "1 Ostrzeżenia", są ściśle przestrzegane.
2. Wysprężlij bramę przekręcając dźwignię sprzęgła przeciwnie do ruchu wskazówek zegara (Rys. 48) w każdym silniku. Upewnij się czy, chwytając skrzydło bramy w odpowiednim miejscu, jest możliwe wykonanie ręcznego manewru otwarcia i zamknięcia bramy z siłą nie większą niż 225N.
3. Zablokuj silniki bramy przekręcając dźwignię sprzęgła zgodnie z ruchem wskazówek zegara (Rys. 49)
4. Wykorzystując dostępne urządzenia sterujące lub zatrzymujące (przełącznik na klucz, przyciski sterujące lub nadajniki radiowe) wykonaj próby otwarcia, zamknięcia i zatrzymania bramy, upewniając się czy zachowuje się ona tak jak powinna.
5. Wykonaj kilka prób, aby ocenić płynny ruch bramy i upewnij się czy nie ma wad montażu lub regulacji oraz punktów większego tarcia.

6. Sprawdź po kolei prawidłowe działanie wszystkich urządzeń zabezpieczających, w które jest wyposażona instalacja (fotokomórki, zabezpieczające listwy krawędziowe, stop bezpieczeństwa, itd.). W szczególności upewnij się czy za każdym razem przy interwencji jednego z tych urządzeń, dioda OK na centrali miga szybko 2 razy, co stanowi potwierdzenie, że do centrali wpłynęła informacja o zdarzeniu.
7. Należy sprawdzić fotokomórki, a w szczególności upewnij się czy nie ma zakłóceń z innymi urządzeniami. W tym celu przesuń cylinder o średnicy 5 cm i długości 30cm na osi optycznej, najpierw przy TX potem przy RX i na końcu pomiędzy nimi i upewnij się czy zawsze urządzenie zadziała przechodząc ze stanu aktywnego w stan alarmu i na odwrót. Upewnij się także czy interwencja fotokomórki wywołuje w centrali przewidzianą czynność: np. w czasie wykonywania manewru zamknięcia prowokuje ruch w przeciwnym kierunku.
8. Jeśli zastosowano ograniczenie siły dobitcia w celu uniknięcia niebezpiecznych sytuacji związanych z ruchem bramy należy zmierzyć tę siłę według zaleceń normy EN 12445. Jeśli regulacja "Prędkości" i kontrola "Siły Silnika" stanowią wsparcie systemu redukcji siły dobitcia, należy powtórzyć regulację i znaleźć ustawienia, które zapewnią lepsze wyniki.

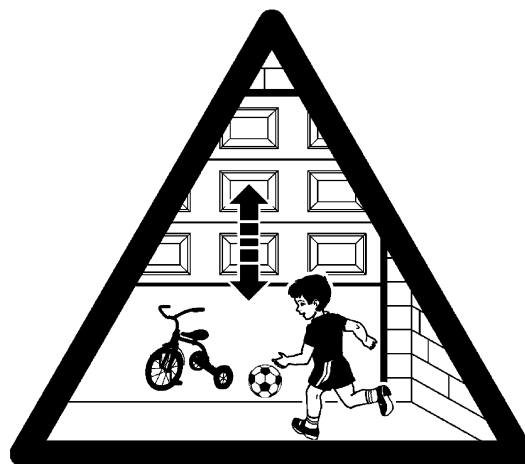
5.2) Przekazanie do eksploatacji

Przekazanie do eksploatacji może nastąpić dopiero po wykonaniu, z wynikiem pozytywnym, wszystkich etapów odbioru technicznego siłownika TEN i pozostałych urządzeń. Zabrania się częściowego lub "prowizorycznego" przekazania do eksploatacji.

1. Sporządź i zachowaj na minimum 10 lat Dokumentację Techniczną automatyki, która powinna zawierać: rysunek zestawieniowy automatyki, schemat połączeń elektrycznych, analizę ryzyka wraz z opisem wdrożonych środków zapobiegawczych, deklarację zgodności producenta wszystkich użytych urządzeń (dla siłownika TEN należy użyć załączoną Deklarację zgodności CE), kopię instrukcji oraz harmonogramu konserwacji automatyki.
2. Na bramie zamocuj tabliczkę zawierającą (przynajmniej) następujące informacje: typ automatyki, nazwa i adres instalatora (odpowiedzialnego za "przekazanie do eksploatacji") numer identyfikacyjny, rok produkcji i znak "CE".
3. Zamocuj w sposób trwały na bramie także etykietę lub tabliczkę opisującą operacje wysprężlenia oraz manewru ręcznego.
4. Zamocuj w sposób trwały na bramie etykietkę lub tabliczkę z takim rysunkiem (minimalna wysokość 60mm). (Rys. 30)
5. Sporządź i przekaz właścicielowi urządzenia deklarację zgodności automatyki.
6. Sporządź i przekaz właścicielowi urządzenia książkę "Zalecenia i ostrzeżenia dotyczące eksploatacji automatyki".

7. Sporządź i przekaz właścicielowi urządzenia harmonogram konserwacji (zawierający wytyczne do konserwacji wszystkich urządzeń wchodzących w skład automatyki).
8. Przed przekazaniem automatyki do eksploatacji poinformuj właściciela w odpowiedni sposób i na piśmie (na przykład w książce "Zalecenia i ostrzeżenia dotyczące eksploatacji automatyki") o ryzyku resztkowym.

30



6) Konserwacja i utylizacja

Rozdział ten zawiera informacje dotyczące stworzenia harmonogramu konserwacji i utylizacji TEN.

6.1) Konserwacja

Regularnie prowadzona konserwacja jest niezbędna do utrzymania stałego poziomu bezpieczeństwa i zapewnienia maksymalnej trwałości automatyki.

⚠ Konserwacja musi być wykonywana w bezwzględny poszanowaniu norm bezpieczeństwa zawartych w niniejszej instrukcji, a także zgodnie z obowiązującymi aktualnie przepisami i normami.

Każde z pozostałych urządzeń dopełniających pracę siłownika TEN posiada swój własny harmonogram konserwacji, którego należy przestrzegać.

1. W przypadku siłownika TEN należy zaplanować przegląd co 6 miesięcy lub 4.000 manewrów:
2. Odłącz wszystkie źródła zasilania elektrycznego.
3. Sprawdź i oceń stan zużycia wszystkich podzespołów automatyki ze szczególnym uwzględnieniem korozji lub utleniania elementów konstrukcyjnych. Wymień te elementy, które nie gwarantują prawidłowej pracy.
4. Sprawdź stan zużycia elementów ruchomych: ramion teleskopowych, lin przeciwwagi i wszystkich części bramy. Wymień części zużyte.
5. Podłącz zasilanie elektryczne i wykonaj wszystkie próby i kontrole przewidziane w rozdziale "5.1 Odbiór techniczny".

6.2) Utylizacja

Podobnie jak w przypadku montażu, również czynności związane z demontażem muszą być wykonane przez wykwalifikowany personel techniczny. Produkt ten składa się z różnego rodzaju materiałów, niektóre z nich mogą być powtórnie użyte, inne muszą zostać poddane utylizacji. Zasięgnij informacji odnośnie systemów recyklingu i utylizacji, przewidzianych zgodnie z lokalnymi przepisami obowiązującymi dla tej kategorii produktu.

▲ Niektóre elementy produktu mogą zawierać substancje szkodliwe lub niebezpieczne, które po wyrzuceniu, mogłyby zaszkodzić środowisku lub zdrowiu ludzkiemu.

Zgodnie ze wskazaniem symbolu na rys. 31, zabrania się wyrzucania tego produktu do odpadów domowych. Należy przeprowadzić "segregację odpadów" na potrzeby utylizacji, według metod przewidzianych lokalnymi przepisami lub zwrócić produkt sprzedawcy podczas zakupu nowego, równorzędnego produktu.

Uwaga – lokalne przepisy mogą przewidywać poważne sankcje w przypadku nielegalnej utylizacji produktu.

1. Odłącz automatykę od zasilania elektrycznego.
2. Zdemontuj wszystkie urządzenia i akcesoria, w odwrotnej kolejności od tej podanej w rozdziale "3 Montaż"
3. Przeprowadź segregację części, które mogą być poddane recyklingowi, np. elementy metalowe, części z tworzyw sztucznych, płyty elektroniczne, baterie itp.
4. Rozdziel i przełącz tak posortowane materiały do lokalnych punktów zajmujących się recyklingiem i utylizacją.

31



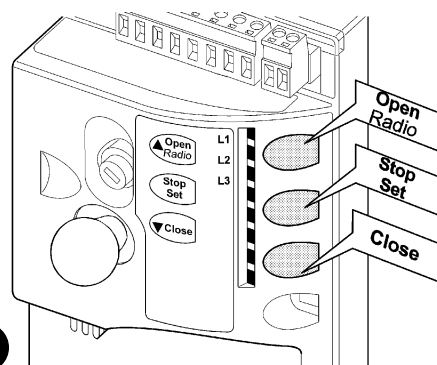
7) Informacje dodatkowe

Rozdział ten zawiera dodatkowe informacje dotyczące możliwości programowania, personalizacji, diagnostyki i identyfikowania problemów w siłowniku TEN.

7.1) Przyciski programujące

Na centrali TEN znajdują się 3 przyciski, które mogą być użyte zarówno do sterowania centrali podczas prób, jak i do programowania:

▲ OPEN RADIO	W ciągu pierwszych 10 sekund od włączenia, temu przyciskowi przypisana jest funkcja "RADIO" pozwalająca za wczytanie i wykasowanie nadajników radiowych współpracujących z siłownikiem TEN. Po tym czasie przycisk wykonuje funkcję "OPEN", umożliwiając wydanie polecenia otwarcia bramy lub przesunięcie do góry punktu zaprogramowanego
STOP SET	Przycisk "STOP" służy do zatrzymania manewru. Wciśnięty przez ponad 5 sekund umożliwia przejście do programowania.
▼ CLOSE	Za pomocą przycisku "CLOSE" wydajemy polecenia zamknięcia bramy lub przesunięcia na dół punktu zaprogramowanego



32

▲ Podczas manewrów otwarcia i zamknięcia, wszystkie przyciski pełnią funkcję STOP, zatrzymując silnik.

7.2) Programowanie

Istnieje możliwość zaprogramowania niektórych funkcji dostępnych na centrali sterującej siłownikiem TEN. Do ich ustawienia służą 3 przyciski centrali: **[▲]** **[▼]** i **[Set]**, którym odpowiadają diody: **L1**, **L2** i **L3**.

W tym wypadku diody **L1**, **L2** i **L3** wskazują na status funkcji – jeśli palą się, funkcja jest aktywna, jeśli są zgaszone funkcja jest nieaktywna. Patrz Tabela 14.

W centrali TEN istnieje możliwość zaprogramowania funkcji na dwóch poziomach:

Pierwszy poziom - funkcje typu ON-OFF (aktywne lub nieaktywne).

Drugi poziom - możliwość regulacji wartości funkcji (od 1 do 3).

W tym wypadku każda dioda **L1**, **L2** i **L3** wskazuje jeden z trzech możliwych poziomów wartości funkcji. Patrz Tabela 16.

7.2.1) Funkcje pierwszego poziomu (funkcje typu ON-OFF)

Tabela 14: Wykaz funkcji możliwych do zaprogramowania na pierwszym poziomie


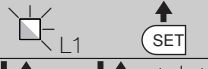



Nr	Opis	Przykład
L1	Prędkość zamknięcia	Funkcja ta pozwala wybrać jedną z dwóch dostępnych prędkości silnika podczas manewru zamknięcia - "szybka" lub "wolna". Jeśli funkcja nie jest aktywowana, ustawiona jest prędkość "wolna".
L2	Prędkość otwarcia	Funkcja ta pozwala wybrać jedną z dwóch dostępnych prędkości silnika podczas manewru otwarcia- "szybka" i "wolna". Jeśli funkcja nie jest aktywowana, ustawiona jest prędkość "wolna".
L3	Automatyczne zamknięcie	Funkcja ta pozwala na automatyczne zamknięcie bramy po ustawionym czasie pauzy. Fabryczne ustawienie tego parametru wynosi 30 sekund, ale można ustawić 15 lub 60 sekund (patrz tabela 16). Jeśli funkcja nie zostanie aktywowana, ustawiony jest tryb "półautomatyczny".

W czasie normalnego działania siłownika TEN diody **L1**, **L2** i **L3** zapalają się lub gasną w zależności od statusu funkcji, której odpowiadają, np. **L3** pali się jeśli jest aktywna funkcja "Zamknięcie automatyczne". **L1** wizualizuje również stan funkcji "radio" w pierwszych 10 sekundach od włączenia.

Pamiętaj: przy ustawieniu prędkości silnika na poziomie "szybka" podczas manewru otwarcia i zamknięcia oraz przy ustawieniu "wysokiej" siły silnika, jest eliminowana funkcja zwolnienia ruchu (za wyjątkiem zwolnienia na zamknięciu przy dojściu do ogranicznika końcowego).

7.2.2 Programowanie funkcji pierwszego poziomu (funkcje typu ON-OFF)

Funkcje pierwszego poziomu są fabrycznie ustawione na "OFF", ale w każdej chwili można dokonać zmiany (patrz Tabela 15). Musisz być bardzo skupiony wykonując tę procedurę ponieważ masz tylko 10 sekund pomiędzy wciśnięciem jednego przycisku i drugiego, po upływie tego czasu procedura kończy się automatycznie i zostają wczytane wszelkie zmiany wprowadzone do tego momentu.

Tabela 15: Zmiana funkcji ON-OFF		Przykład
1.	Wciśnij i przytrzymaj przez około 3 sekundy przycisk [Set]	 3s
2.	Zwolnij przycisk [Set] kiedy dioda L1 zacznie migać.	
3.	Za pomocą przycisków [▲] lub [▼] przejdź do migającej diody, odpowiadającej funkcji, którą chcemy zmienić.	
4.	Wciśnij przycisk [Set] w celu zmiany statusu funkcji (krótkie mignięcie = OFF; długie mignięcie = ON)	
5.	Odczekaj 10 sekund. Po upływie tego czasu automatycznie zakończy się etap programowania.	 10s

Pamiętaj – możesz wykonać ponownie punkty 3 i 4 podczas tej samej fazy programowania w celu ustawienia innych funkcji w ON lub OFF.

7.2.3 Funkcje drugiego poziomu (z możliwością regulacji parametrów)

Tabela 16: Wykaz funkcji z możliwością programowania – drugi poziom				
Dioda wejścia	Parametr	Dioda (poziom)	wartość	Opis
L1	Siła silnika	L1	Niska	Reguluje czułość kontroli siły silnika, dostosowując ją do typu bramy. Ustawienie siły na poziomie "wysoka" nadaje się do ciężkich i dużych bram.
		L2	Średnia	
		L3	Wysoka*	
L2	Funkcja Krok po kroku	L1	Otwiera-stop-amyka-otwiera	Reguluje sekwencję poleceń związanych z wejściem Krok po kroku lub z 1. poleceniem radio (patrz tabele 7 i 8)
		L2	Otwiera-stop-zamyka-stop	
		L3	Wysokie natężenie ruchu	
L3	Czas pauzy	L1	15 sekund	Reguluje czas pauzy, a więc czas przed ponownym zamknięciem automatycznym. Działa tylko przy aktywnej funkcji zamknięcia automatycznego
		L2	30 sekund	
		L3	60 sekund	

Pamiętaj - "■" to ustawienie fabryczne.

* przy ustawieniu parametru prędkości silnika na poziomie "szybka" na otwarciu i zamknięciu oraz parametru siły silnika na poziomie "wysoka" są eliminowane fazy zwolnienia ruchu (za wyjątkiem zwolnienia na zamknięciu przy dojściu do ogranicznika końcowego).

Wszystkie parametry mogą być regulowane dowolnie, bez żadnych przeciwwskazań, jedynie przy regulacji "Siły silnika" należy zwrócić uwagę na pewne sprawy:


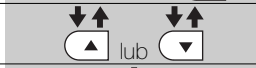





- Odradza się ustawianie wysokich wartości siły w celu zrównoważenia miejsc nietypowego tarcia bramy. Zbyt duża siła może wpłynąć negatywnie na pracę systemu bezpieczeństwa lub wręcz doprowadzić do uszkodzenia bramy.

- Jeśli kontrola "Siły silnika" jest stosowana również jako wspomaganie systemu redukcji siły dobiecia, wówczas po każdej regulacji należy powtórzyć pomiar siły, zgodnie z normą EN 12445.

- Zużycie materiałów lub warunki atmosferyczne mogą mieć wpływ na ruch bramy, w związku z tym co jakiś czas może okazać się potrzebna nowa regulacja siły.

7.2.4 Programowanie funkcji drugiego poziomu (z możliwością regulacji parametrów)











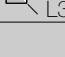

Parametry możliwe do regulacji mają fabryczne ustawienia (patrz tabela 16 słowa w "■"), które mogą jednak w każdej chwili zostać zmienione (patrz Tabela 17). Musisz być bardzo skupiony wykonując tę procedurę ponieważ masz tylko 10 sekund pomiędzy wciśnięciem jednego przycisku i drugiego, po upływie tego czasu procedura kończy się automatycznie i zostają wczytane wszelkie zmiany wprowadzone do tego momentu.

Tabela 17: Zmiana parametrów z możliwością regulacji		Przykład
1.	Wciśnij i przytrzymaj przez około 3 sekundy przycisk [Set]	 3s
2.	Zwolnij przycisk [Set] kiedy dioda L1 zaczyna migać.	
3.	Wciśnij przyciski [▲] lub [▼] aby zaczęła migać dioda wejścia, odpowiadająca parametrowi, który chcemy zmienić.	
4.	Wciśnij i przytrzymaj przycisk [Set] . Przycisk [Set] musi być wciśnięty podczas wykonywania czynności opisanych w kroku 5 i 6	
5.	Odczekaj około 3 sekundy, aż zapali się dioda, odpowiadająca aktualnemu poziomowi parametru, który chcesz zmienić.	
6.	Za pomocą przycisków [▲] lub [▼] , aktywuj diodę, która odpowiada wartości parametru	
7.	Zwolnij przycisk [Set]	
8.	Odczekaj 10 sekund. Po upływie tego czasu automatycznie zakończy się etap programowania.	 10s

Pamiętaj: możesz powtórzyć punkty od 3 do 7 podczas tej samej fazy programowania w celu ustawienia większej ilości parametrów.

7.2.5) Przykład programowania funkcji pierwszego poziomu (funkcje typu ON-OFF)












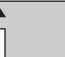



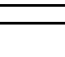
Przykład stanowi procedura jaką należy wykonać w celu zmiany ustawień fabrycznych funkcji i aktywowania funkcji "Prędkość otwarcia wysoka" (L2) i "Zamknięcie automatyczne" (L3)

	Przykład
1. Wciśnij i przytrzymaj wciśnięty przez około 3 sekundy przycisk [Set]	 3s
2. Zwolnij przycisk [Set] kiedy dioda L1 zaczyna migać.	 L1 
3. Wciśnij 1 raz przycisk [▼], aby zaczęła migać dioda L2.	  L2
4. Wciśnij 1 raz przycisk [Set] aby zmienić status funkcji przypisanej do L2 (Prędkość otwarcia) teraz dioda L2 miga długimi mignięciami	  L2
5. Wciśnij 1 raz przycisk [▼], aby zaczęła migać dioda L3	  L3
6. Wciśnij 1 raz przycisk [Set] w celu zmiany statusu funkcji przypisanej do L3 (Zamknięcie Automatyczne) teraz dioda L3 miga długimi mignięciami.	  L3
7. Odczekaj 10 sekund. Po upływie tego czasu automatycznie zakończy się etap programowania	 10s

Po zakończeniu tych czynności diody L2 i L3 muszą pozostać zapalone, wskazując tym samym, że funkcje "Prędkość otwarcia wysoka" i "Zamknięcie Automatyczne" są aktywne.

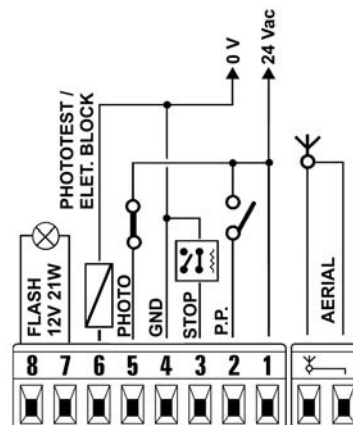
7.2.6) Przykład programowania funkcji drugiego poziomu (z możliwością regulacji parametrów)

Przykład stanowi procedura jaką należy wykonać w celu zmiany fabrycznych ustawień parametrów, ustawienia "Siły Silnika" na poziomie wysokim (wejście na L1, a poziom na L3) i zwiększenia "Czasu pauzy" do 60 sekund (wejście na L3 i poziom na L3)

	Przykład
1. Wciśnij i przytrzymaj wciśnięty przez około 3 sekundy przycisk [Set]	 3s
2. Zwolnij przycisk [Set] kiedy dioda L1 zaczyna migać.	 L1 
3. Wciśnij i przytrzymaj przycisk [Set]. Przycisk [Set] musi być cały czas wciśnięty podczas wykonywania czynności opisanych w krokach 4 i 5	
4. Odczekaj około 3 sekundy, aż zapali się dioda L2, która odpowiada aktualnemu poziomowi "Siły Silnika"	 L2 3s
5. Wciśnij 1 raz przycisk [▼], aby zapaliła się dioda L3, która odpowiada nowej wartości "Siły Silnika".	  L2
6. Zwolnij przycisk [Set]	
7. Wciśnij 2 razy przycisk [▼] aby zaczęła migać dioda L3	  L3
8. Wciśnij i przytrzymaj wciśnięty przycisk [Set]. Przycisk [Set] musi być cały czas wciśnięty podczas wykonywania czynności opisanych w krokach 9 i 10.	
9. Odczekaj około 3 sekundy, aż zapali się dioda L2, która odpowiada aktualnemu poziomowi "Czasu Pauzy".	 L2 3s
10. Wciśnij 1 raz przycisk [▼], aby zapaliła się dioda L3, która odpowiada nowej wartości "Czasu Pauzy"	  L3
11. Zwolnij przycisk [Set]	
12. Odczekaj 10 sekund. Po upływie tego czasu automatycznie zakończy się etap programowania	 10s

7.3) Dodawanie lub usuwanie urządzeń

Do automatyki z silownikiem TEN w każdej chwili można dodać lub usunąć inne urządzenia. W szczególności do wejścia STOP i FOTO można podłączyć różne typy urządzeń, tak jak wskazano to w podpunktach "7.3.1 Wejście STOP" i "7.3.2 Fotokomórki". Na rysunku 33 został przedstawiony schemat elektryczny podłączenia poszczególnych urządzeń.



7.3.1) Wejście STOP

STOP jest wejściem, które powoduje natychmiastowe zatrzymanie manewru i krótki ruch w przeciwnym kierunku. Do tego wejścia mogą być podłączone urządzenia z wyjściami na styk normalnie otwarty "NO", normalnie zamknięty "NZ" lub urządzenia z wyjściami o stałej oporności 8,2K Ω . Centrala rozpoznaje typ urządzenia podłączony do wejścia STOP podczas procedury uczenia (patrz punkt "4.3 Programowanie pozycji otwarcia i zamknięcia bramy"). Następnie, za każdym razem gdy zachodzi jakakolwiek zmiana w stosunku do wczytanego stanu, manewr zostaje zatrzymany.

Przy użyciu odpowiednich sposobów można podłączyć do wejścia STOP więcej niż jedno urządzenie, nawet różnego typu:

- Kilka urządzeń NO można podłączyć równoległe, bez ograniczeń ilości.
- Kilka urządzeń NZ można podłączyć szeregowo, bez ograniczeń ilości.

- Kilka urządzeń o stałej oporności 8,2K Ω .
- Możliwa jest kombinacja NO i NZ poprzez równoległe ustawienie 2 styków, należy tylko pamiętać by ustawić szeregowo ze stykiem NZ oporność 8,2K Ω .

⚠ Jeśli wejście STOP jest używane do podłączenia urządzeń zabezpieczających, należy pamiętać, że tylko urządzenia z wyjściami o stałej oporności 8,2K Ω .

7.3.2) Fotokomórki

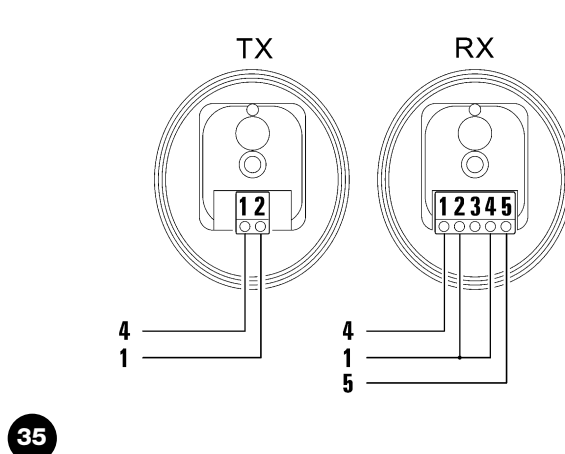
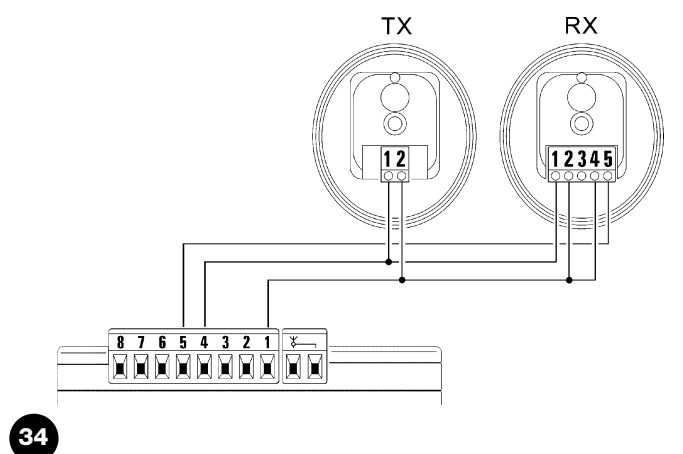
Centrala TEN jest wyposażona w funkcję "Fototest", która zwiększa niezawodność urządzeń zabezpieczających, pozwalając na osiągnięcie "klasy 2", zgodnie z normą EN 954-1, w odniesieniu do zestawu, na który składa się centrala i fotokomórki bezpieczeństwa. Za każdym razem kiedy zostaje wydane polecenie manewru, następuje sprawdzenie urządzeń zabezpieczających biorących w nim udział. Manewr rozpoczyna się tylko jeśli wszystko jest w porządku.

Jeśli natomiast test nie daje wyniku pozytywnego (fotokomórka jest oslepiena słońcem, zwarcie w przewodach, itp.) wówczas zostaje wykryta anomalia i manewr nie odbywa się.

Funkcja "fototest" wymaga specjalnego połączenia nadajników fotokomórek (patrz rys. 36 i 37). Centrala rozpoznaje połączenie w trybie "fototest" podczas procedury uczenia (patrz punkt "4.3 Programowanie pozycji otwarcia i zamknięcia bramy")

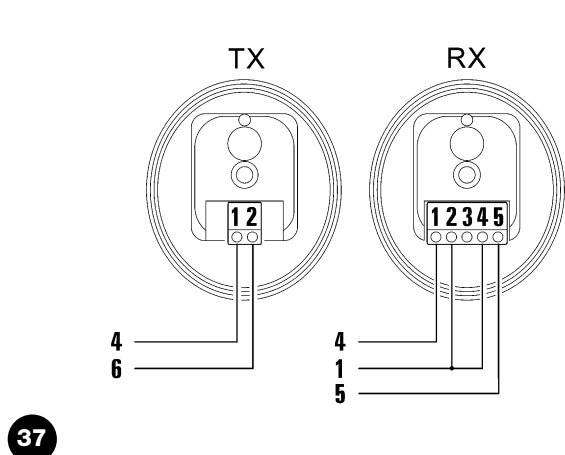
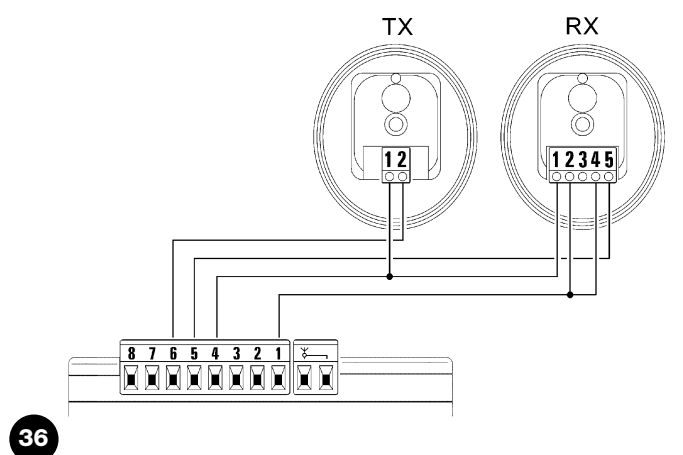
Połączenie bez funkcji "Fototest" (Rys. 34 i Rys. 35)

Nadajniki i odbiorniki są podłączone bezpośrednio do wyjść centralnych (zaciski 1 – 4)



Połączenie z funkcją "Fototest" (Rys. 36, i Rys. 37):

Odbiorniki są podłączone do wyjścia ogólnego (zaciski 1 – 4) natomiast nadajniki do wyjścia "Fototest" (zaciski 6-4). Maksymalna wartość prądu możliwa do wykorzystania na wyjściu "Fototest" wynosi 100mA.



Jeśli są 2 pary fotokomórek, które mogą zakłócać się nawzajem, należy aktywować synchronizację tak jak opisano to w instrukcji fotokomórek.

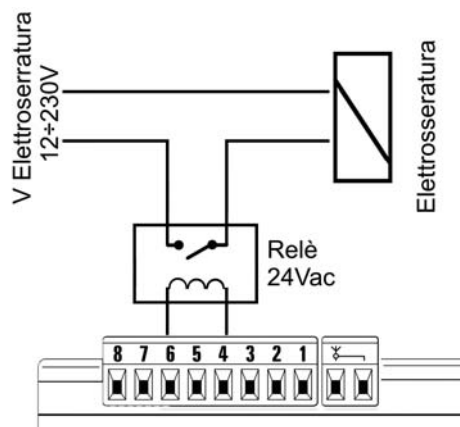
PL

7.3.3) Zamek elektryczny

Wyjście "Fototest" jest ustawione fabrycznie jako aktywne dla funkcji "Fototest"

Alternatywnym rozwiązaniem w centrali TEN jest zaprogramowanie wyjścia pod zamek elektryczny. W momencie uruchomienia każdego manewru otwarcia, wyjście jest aktywowane na okres 2 sekund, co pozwala na podłączenie zamka elektrycznego. Podczas manewru zamknięcia wyjście nie jest aktywowane w związku z czym zamek elektryczny musi uzbrajać się ponownie automatycznie.

Wyjście nie może sterować bezpośrednio zamkiem elektrycznym. Steruje ono obciążeniem 24Vac – 2W. Musisz zamontować przekaźnik (patrz rys. 38).



38

7.3.4) Programowanie funkcji Fototest /Zamek elektryczny

Ustawienie fabryczne wyjścia zacisku 6 jest przewidziane dla funkcji "Fototest" ale można zmienić je na zamek elektryczny i odwrotnie w każdej chwili (patrz Tabela 20). Podczas programowania lampa ostrzegawcza musi być podłączona (lub lampa 12V 21W max).

Tabela 20: Programowanie wyjścia pod Zamek elektryczny (i odwrotnie pod Fototest)

	Przykład
1. Wyłącz siłownik TEN (na przykład wyjmując F2)	OFF
2. Wciśnij i przytrzymaj przycisk [Set]	SET
3. Włącz siłownik TEN	ON
4. Trzymając przycisk [Set] wciśnięty poczekaj na uruchomienie centrali (około 4 sek);	SET 4s
5. Jeśli lampa ostrzegawcza jest zgaszona, wyjście zostało zaprogramowane pod fototest, jeśli natomiast lampa ostrzegawcza pali się, wyjście zostało zaprogramowane pod zamek elektryczny.	Light bulb icons
6. Trzymając cały czas wciśnięty przycisk [Set], wciśnij i zwolnij (kilką razy) przycisk [▼]. Lampa ostrzegawcza zapali się lub zgaśnie co będzie miało następujące znaczenie zapalona = zamek elektryczny zgaszona = fototest	SET, DOWN arrow, Light bulb icons
7. Zwolnij przycisk [Set]	SET

Po aktywacji funkcji "Fototest" i po wykonaniu odpowiednich podłączeń fotokomórek, przeprowadź procedurę wczytania pozycji opisaną w paragrafie "4.3 Programowanie pozycji otwarcia i zamknięcia bramy".

7.3.5) Dezaktywacja czułości zmiennej przy wykrywaniu przeszkód

Siłownik TEN jest wyposażony w system wykrywania przeszkód bazujący na kontroli siły silnika.

Fabryczne ustawienie czułości tego systemu ma wartość zmienną – większa czułość gdy silnik potrzebuje mniej siły, mniejsza czułość gdy silnik potrzebuje więcej siły. Ma to na celu jak najbardziej precyzyjne wykrywanie przeszkód.

Zdarzają się sytuacje, np. przy silnych uderzeniach wiatru, kiedy system ten mógłby wykryć nieistniejącą przeszkodę. Wówczas, aby uniknąć takiego problemu można dezaktywować zmienną czułość (patrz Tabela 21). Pozostają 3 "stałe" poziomy siły silnika (patrz Tabela 16).







Tabela 21: Dezaktywacja i aktywacja czułości wykrycia przeszkód

	Przykład
1. Wyłącz siłownik TEN (np. wyjmując F2)	OFF
2. Wciśnij i przytrzymaj wciśnięty przycisk [Set]	SET
3. Włącz siłownik TEN	ON
4. Trzymając przycisk [Set] wciśnięty poczekaj na uruchomienie centrali (około 4 sek).	SET 4s
5. Jeśli światelko nocne jest zgaszone, wówczas czułość wykrywania przeszkód jest ustawiona na poziomie "zmienna", jeśli natomiast światelko nocne jest zapalone wówczas czułość wykrywania przeszkód jest ustawiona na poziomie "stała".	Light bulb icons
6. Trzymając cały czas wciśnięty przycisk [Set], wciśnij kilka razy przycisk [▲]. Światelko nocne zapali się lub zgaśnie co będzie miało następujące znaczenie: zapalone = czułość stała (maksymalna) zgaszone = czułość zmienna	SET, UP arrow, Light bulb icons
7. Zwolnij przycisk [Set]	SET

Jeśli ponownie aktywujesz czułość zmienną po jej wcześniejszej dezaktywacji, zaleca się ponowne przeprowadzenie procedury uczenia opisaną w paragrafie "4.3 Programowanie pozycji otwarcia i zamknięcia bram".

7.3.6) Programowanie kierunku montażu siłownika TEN

Fabrycznie siłownik TEN jest zaprogramowany do montażu prostego (rys. 5). Jeśli jest wymagany montaż "do góry nogami" (rys.7), należy przeprogramować centralę TEN tak jak opisano to w Tabeli 22.

Tabela 22: Programowanie kierunku montażu siłownika TEN	Przykład
1. Wyłącz TEN (np. wyjmując F2)	
2. Wciśnij i przytrzymaj przyciski [Stop] i [Close]	
3. Włącz TEN	
4. Trzymając przyciski [Stop] i [Close] wciśnięte, poczekaj na uruchomienie centrali (około 4 sek.)	
5. Jeśli diody P1, P2 i P3 są zgaszone, TEN jest zaprogramowany do montażu prostego (rys. 5), jeśli diody palą się oznacza to, że TEN jest zaprogramowany do montażu "do góry nogami" (rys. 7).	
6. Trzymając przyciski [Stop] i [Close] wciśnięte, wciśnij kilka razy przycisk [Open] . Diody P1, P2 i P3 zapalą się lub zgasną co będzie miało następujące znaczenie: zapalone = montaż "do góry nogami" (Rys. 7) zgaszone = montaż prosty (Rys. 5)	
7. Zwolnij przyciski [Stop] i [Close]	

Uwaga: jeśli siłownik zostanie zaprogramowany do montażu "do góry nogami", wówczas w czasie normalnego działania przyciski Open i Close będą działały odwrotnie w stosunku do informacji umieszczonej na etykiecie centrali.

7.4) Funkcje specjalne

7.4.1) Funkcja "Zawsze otwórz"

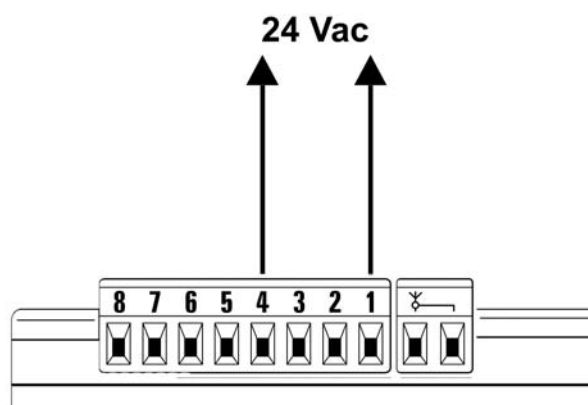
Funkcja "Zawsze otwórz" pozwala na sterowanie poleceniem otwarcia zawsze wtedy kiedy polecenie "Krok po kroku" trwa ponad 3 sekundy. Jest to przydatne np. kiedy podłączymy do zacisku "Krok po kroku" styk zegara programującego, tak aby brama, w pewnych godzinach, pozostawała cały czas otwarta. Ta opcja jest zachowana przy każdym programowaniu wejścia Krok po kroku, (patrz "Funkcja Krok po kroku" w Tabeli 16).

7.4.2) Funkcja "Wykonaj manewr mimo wszystko"

W przypadku błędnego działania lub uszkodzenia jednego z urządzeń zabezpieczających, jest możliwe sterowanie bramą w trybie "W obecności operatora". Więcej informacji na ten temat znajdziesz w punkcie "Sterowanie przy niesprawnych urządzeniach zabezpieczających" znajdującym się w załączniku "Zalecenia i środki ostrożności skierowane do użytkownika siłownika TEN".

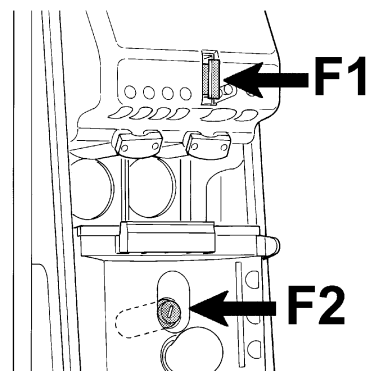
7.5) Podłączenie innych urządzeń

Jeśli zaistniałaby konieczność zasilania urządzeń zewnętrznych, na przykład czynnika kart zbliżeniowych lub światelka przełącznika na klucz, istnieje możliwość pobierania zasilania tak jak wskazano na rys. 39. Napięcie zasilania to 24Vac (-30% +50%).



7.6) Rozwiązywanie problemów

W tabeli 23 zostały przedstawione wskazówki przydatne do rozwiązania przypadków błędnego działania, które mogą wystąpić podczas montażu lub w przypadku awarii.



40

Tabela 23: Wyszukiwanie uszkodzeń

SYMPTOMY	MOŻLIWA PRZYCZYNA I ROZWIĄZANIE
Nadajnik radiowy nie steruje bramą i dioda na nadajniku nie pali się	Upewnij się czy baterie są sprawne. Wymień je jeśli trzeba.
Nadajnik radiowy nie steruje bramą, ale dioda na nadajniku pali się.	Upewnij się czy nadajnik został poprawnie wczytany do odbiornika radiowego. Sprawdź poprawną emisję sygnału radiowego nadajnika przeprowadzając następujący test – wciśnij przycisk i przyłóż diodę do anteny zwykłego radia (najlepiej taniego) włączonego i nastawionego na pasmo FM na częstotliwość 108,5Mhz lub inną najbliższą. Powinien dać się słyszeć cichy hałas z lekkimi pulsującymi trzaskami.
Nie można wykonać żadnego manewru, a dioda OK nie miga.	Upewnij się czy do TEN dochodzi zasilanie z sieci o napięciu 230V. Upewnij się czy nie zadziałały bezpieczniki F1 i F2. Jeśli tak sprawdź jaka jest przyczyna uszkodzenia i wymień bezpieczniki na nowe o tych samych właściwościach i wartości prądu i (Rys. 40)
Nie można wykonać żadnego manewru, a lampa ostrzegawcza jest zgaszona.	Sprawdź czy polecenie rzeczywiście dochodzi do centrali. Kiedy polecenie dociera do wejścia Krok po kroku, wówczas dioda OK musi mignąć dwa razy co oznacza, że polecenie zostało przyjęte.
Manewr nie rozpoczyna się, a lampa ostrzegawcza miga kilkakrotnie.	Policz liczbę mignięć i porównaj z informacjami zawartymi w tabeli 24.
Manewr rozpoczyna się, ale natychmiast ma miejsce krótki ruch w przeciwnym kierunku	Wybrana siła może być zbyt mała by ruszyć bramę. Upewnij się czy na pewno nie ma żadnych przeszkód i ewentualnie wybierz wyższą siłę.

7.7) Diagnostyka i sygnały

Niektóre urządzenia bezpośrednio przekazują sygnały, na podstawie których można łatwo określić stan działania lub ewentualnie rozpoznać działanie nieprawidłowe.

7.7.1) Sygnały lampy ostrzegawczej

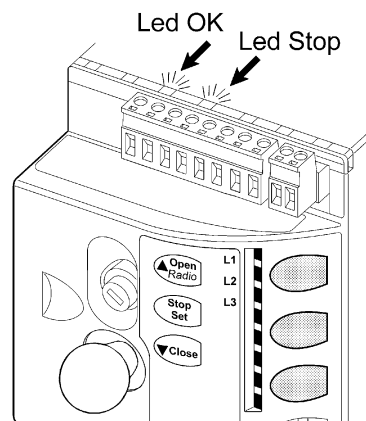
Lampa ostrzegawcza, o ile jest podłączona, miga w czasie manewru co 1 sekundę. W przypadku wystąpienia anomalii, zwiększa się częstotliwość migania - miganie powtarza się dwukrotnie i jest oddzielone 1 sekundową przerwą. (patrz Tabela 23). W ten sam sposób należy interpretować sygnały światelka nocnego.

Tabela 24: Sygnały lampy ostrzegawczej FLASH

Szybkie miganie	Przyczyna	CZYNNOŚĆ
2 mignięcia przerwa 1 sekundowa 2 mignięci	Zadziałała 1 fotokomórka	Na początku manewru przynajmniej jedna z fotokomórek nie wydaje zgody na ruch. Upewnij się czy nie ma przeszkód. Taki sygnał jest normalny podczas ruchu zamknięcia, o ile rzeczywiście występuje przeszkoda.
3 mignięcia przerwa 1 sekundowa 3 mignięci	Zadziałał ogranicznik "Siły Silnika"	Podczas ruchu bramy wystąpiło zwiększone tarcie. Sprawdź przyczynę.
4 mignięcia przerwa 1 sekundowa 4 mignięci	Zadziałało wejście STOP	Na początku manewru lub w czasie jego trwania zadziałało wejście STOP. Sprawdź przyczynę.
5 mignięcia przerwa 1 sekundowa 5 mignięci	Błąd wewnętrznych parametrów centrali.	Odczekaj przynajmniej 30 sekund i spróbuj powtórzyć polecenie. Jeśli sytuacja nie zmieni się, istnieje podejrzenie poważnego uszkodzenia - należy wymienić płytę elektroniczną.
6 mignięcia przerwa 1 sekundowa 6 mignięci	Przekroczony maksymalny limit liczby manewrów na godzinę.	Odczekaj kilka minut, aż ogranicznik liczby manewrów zejdzie poniżej maksymalnego dopuszczalnego poziomu.
7 mignięcia przerwa 1 sekundowa 7 mignięci	Błąd wewnętrznych obwodów elektrycznych.	Odczekaj wszystkie obwody zasilania na kilka sekund, po czym spróbuj powtórzyć polecenie. Jeśli sytuacja nie zmieni się, istnieje podejrzenie poważnego uszkodzenia płyty lub okablowania silnika. Sprawdź i wymień elementy jeśli potrzeba.

7.7.2) Sygnały centrali

Centrala siłownika TEN posiada cały szereg diod, z których każda przekazuje osobne sygnały, zarówno podczas działania normalnego jak i w przypadku wystąpienia anomalii (Rys. 41)



41

Tabela 25: Diody na zaciskach centrali

Dioda OK	Przyczyna	CZYNNOŚĆ
Zgaszona	Anomalia	Upewnij się czy jest zasilanie, sprawdź czy nie zadziałały bezpieczniki. Jeśli tak, ustal przyczynę uszkodzenia i wymień bezpieczniki na nowe o tej samej wartości.
Zapalona	Poważna Anomalia	Miała miejsce poważna anomalia, spróbuj wyłączyć centralę na kilka sekund. Jeśli sytuacja nie zmieni się, oznacza to, że wystąpiło uszkodzenie i należy wymienić płytę elektroniczną.
Miga co 1 sek.	Wszystko OK	Normalne działanie centrali
2 szybkie mignięcia	Nastąpiła zamiana stanu wejść.	Jest to sytuacja normalna przy zmianie jednego z wejść: Krok po kroku, STOP, przy zadziałaniu fotokomórek lub używaniu nadajnika radiowego
Kilka mignięć oddzielonych 1 sekundową przerwą	Różne	Ta sama procedura co w przypadku lampy ostrzegawczej. Patrz Tabela 23
Dioda STOP	Przyczyna	CZYNNOŚĆ
Zgaszona	Zadziałało wejście STOP	Sprawdź urządzenia podłączone do wejścia STOP.
Zapalona	Wszystko OK	Wejście STOP aktywne

Tabela 26: Diody na przyciskach centrali

Dioda L1	Opis
Zgaszona	Podczas normalnego działania informuje, że jest ustawiona wolna "Prędkość zamykania".
Zapalona	W czasie pierwszych 15 sekund od włączenia oznacza trwający etap wczytywania nadajnika Podczas normalnego działania informuje, że jest ustawiona szybka "Prędkość zamykania".
Miga	<ul style="list-style-type: none"> Trwa programowanie funkcji Kasowanie i diagnostyka nadajników radiowych.
Dioda L2	Opis
Zgaszona	Podczas normalnego działania informuje, że jest ustawiona wolna "Prędkość otwierania".
Zapalona	Podczas normalnego działania informuje, że jest ustawiona szybka "Prędkość otwierania".
Miga	<ul style="list-style-type: none"> Trwa programowanie funkcji Jeśli miga razem z diodą L3, jest to informacja, że należy przeprowadzić fazę wczytywania pozycji otwarcia i zamknięcia bramy (patrz punkt "4.3 Programowanie pozycji otwarcia i zamknięcia bramy").
Dioda L3	Opis
Zgaszona	Podczas normalnego działania informuje, że funkcja "Automatyczne zamknięcie" jest nieaktywna.
Zapalona	Podczas normalnego działania informuje, że funkcja "Zamknięcie automatyczne" jest aktywna.
Miga	<ul style="list-style-type: none"> Trwa programowanie funkcji Jeśli miga razem z L2 oznacza to, że należy przeprowadzić procedurę uczenia pozycji otwarcia i zamknięcia bramy (patrz punkt "4.3 Programowanie pozycji otwarcia i zamknięcia bramy").

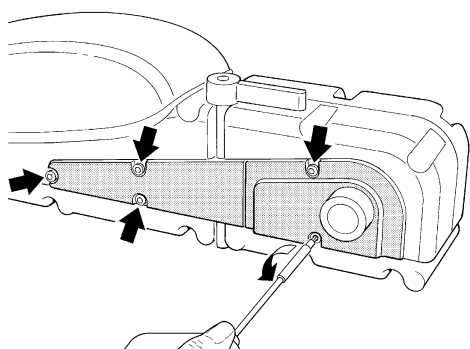
PL

7.8) Akcesoria

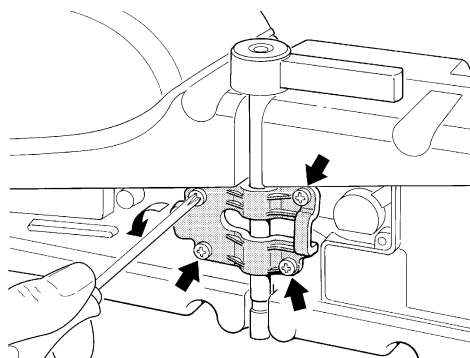
Do silownika TEN są dostępne następujące akcesoria. Aktualny i kompletny wykaz akcesoriów znajduje się w katalogu produktów firmy Nice S.p.A.

- TNA1** Centrala zamienna do TN2030 i TNKCE
- OTA2** Uchwyt wspornika silnika o długości 1250mm
- OTA3** Uchwyt wspornika silnika o długości 2000mm
- TNA4** Dwa wały napędowe o długości 1500mm
- TNA5** Dwa proste ramiona teleskopowe standard
- TNA6** Dwa łamane ramiona teleskopowe standard
- TNA8** Dwa wały napędowe o długości 200 mm
- OTA11** Zestaw do wysprzęglania od zewnątrz przy użyciu metalowej linki
- OTA12** Zestaw do wysprzęglania od zewnątrz przy użyciu klucza
- TNA38** Uchwyty wspornika i tuleje łączące dla 1 pary wałów napędowych

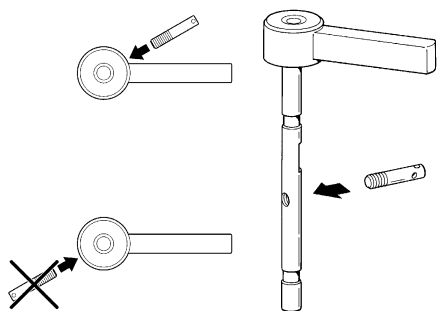
7.8.1) Wstępny montaż OTA11



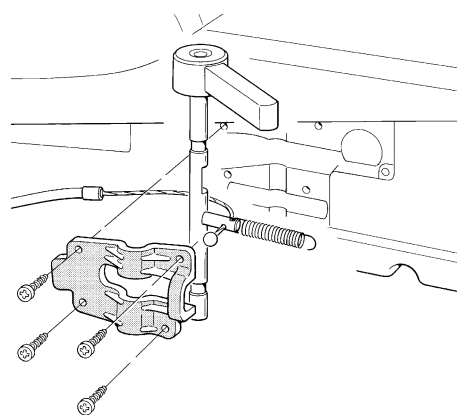
42 Odkręć śruby i zdejmij pokrywy boczne.



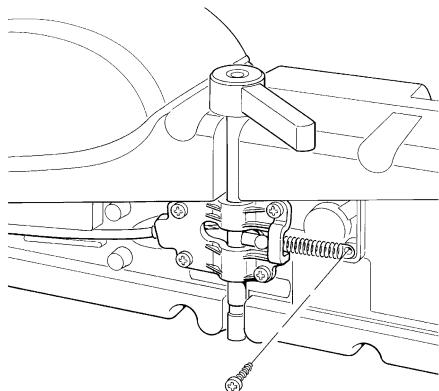
43 Odkręć śruby i zdejmij opaskę zaciskową



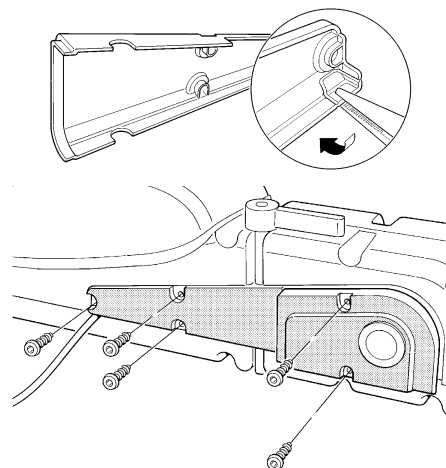
44 Przykręć kolek znajdujący się na wyposażeniu, zwracając uwagę na jego pozycję w stosunku do dźwigni



45 Przelóż linkę i sprężynę, zgodnie ze wskazówkami



46 Przymocuj sprężynę przy użyciu śruby 4.2x13, znajdującej się na wyposażeniu, przykręć opaskę zaciskową i zamontuj ponownie osłonę.



47 Przetnij perforacje znajdujące się na pokrywie i zamknij wszystko, uważając by nie przytrzasnąć uszczelkia

8) Dane techniczne

W celu ulepszenia swoich produktów, Nice S.p.A. zastrzega sobie prawo zmiany danych technicznych produktów w jakimkolwiek momencie i bez uprzedzenia, zachowując funkcjonalność i przeznaczenie wyrobu.

Wszystkie dane techniczne podane poniżej odnoszą się do temperatury otoczenia 20°C (±5°C).

Dane techniczne: siłownik TEN				
Model typ	TN2020	TN2030	TNKCE	TN2030+TN2020
Typ	/	Elektromechaniczny siłownik do automatycznego poruszania garażowych bram uchylnych wystających i niewystających poza obrys, wraz z elektroniczną centralą sterującą.		
Maksymalny moment obrotowy przy ruszaniu	320 Nm	320 Nm	280 Nm	420 Nm
Nominalny moment obrotowy	220 Nm	220 Nm	200 Nm	280 Nm
Prędkość bez obciążenia	/	1.7obr/min; centrala umożliwia ustawienie 2 poziomów prędkości: 1 obr/min lub 1.7 obr/min.		
Prędkość przy nominalnym momencie obrotowym	/	1.2 obr/min		
Maksymalna częstotliwość cykli (maksymalny poziom cykli dopuszczony przez centralę znajduje się w tabelach 3 i 4) *	25 cykli na godz	20 cykli na godz	15 cykli na godz	10 cykli na godz
Maksymalny czas pracy w ruchu ciągłym (maksymalny poziom cykli dopuszczony przez centralę znajduje się w tabelach 3 i 4) **	14 minuty	11 minuty	10 minuty	8 minuty
Ograniczenia eksploatacyjne	Siłownik TEN nadaje się do automatyzacji bram uchylnych o powierzchni do 8m ² z 1 silnikiem i do 14m ² z 2 silnikami, zgodnie z ograniczeniami w tabeli 2.			
Trwałość	Określona pomiędzy 10.00 cykli i 50.000, zależnie od warunków wskazanych w tabeli 5.			
Zasilanie siłownika TEN	24 Vcc (-30% +50%)	230Vac (-10% +15%) 50/60Hz.		
Zasilanie siłownika TEN/V1		120Vac (-10% +15%) 50/60Hz.		
Maksymalna pobierana moc przy 1 silniku	130 W (5.5A)	220 W (1A)	200 W (0.9A)	330 W (1.4A)
Maksymalna pobierana moc przy 2 silnikach				
Klasa izolacji	III	I	I	I
Zasilanie z akumulatora awaryjnego	no			
Światelko nocne	12V/10W złącze BA15S			
Wyjście lampy ostrzegawczej	/	Przy 1 lampie ostrzegawczej LUCYB;MLB lub MLBT (żarówka 12V, 21W)		
Wyjście fototest/zamek elektryczny	/	24Vdc /2W		
Wejście STOP	/	Dla styków normalnie zamkniętych, normalnie otwartych lub o stałej oporności 8,2Kohm, funkcja samouczenia (zmiana w stosunku do stanu wczytanego powoduje wydanie polecenia "STOP")		
Wejście Krok po kroku	/	Dla styków normalnie otwartych (zamknięcie styku powoduje wydanie polecenia Krok po kroku)		
Wejście ANTENA Radio	/	52ohm dla przewodu typu RG58 lub podobnego		
Odbiornik radiowy	/	Wbudowany		
Funkcje możliwe do zaprogramowania	/	3 funkcje typu ON-OFF i 3 funkcje o parametrach z możliwością regulacji (patrz tabele 15 i 17)		
Funkcje samouczące	/	Samouczenie rodzaju urządzenia STOP" (styk NO, NZ lub oporność 8,2Kohm). Samouczenie pozycji otwarcia i zamknięcia bramy i obliczanie miejsc zwolnienia ruchu oraz częściowego otwarcia		
Temperatura pracy	-20°C ÷ 50°C			
Stosowanie w otoczeniu kwaśnym, słonym lub zagrożonym wybuchem	Nie			
Stopień ochrony	IP 44			
Wymiary i masa	512 x 150 h 158			
Masa	7.2 Kg	9.5 Kg	15.5 Kg	
		TN2020	TN2030	TNKCE
* przy 50°C maksymalna częstotliwość pracy to (cykli/godz)		"6"	"4"	"4"
** przy 50°C maksymalny czas pracy stałej to (minu)		"6"	"5"	"5"
				TN2030+TN2020
				"3"
				"4"

PL

Dane techniczne	odbiornik radiowy wbudowany
Typ	Odbiornik czterokanałowy dla wbudowanego pilota
Częstotliwość	433.92MHz
Kodowanie	Stały kod cyfrowy na 12 bitów, typ FLO Cyfrowy Rolling code na 52 bity, typ FLOR Cyfrowy Rolling code na 64 bity, typ SMILO
Kompatybilność nadajników (1)	A) FLO, VERY VE B) FLOR, VERY VR; tylko pojedyncza grupa: ERGO, PLANO, PLANOTIME, NICEWAY (cała linia) C) SMILO
Ilość nadajników do wczytania	Do 160 jeśli wczytywane w Trybie I
Impedancja wejściowa	52Ω
Czułość	ponad 0.5μV
Zasięg nadajników	Do 150 m w wolnej przestrzeni; do 35m wewnątrz budynków. Ta odległość może zmieniać się znacznie w zależności od przeszkód i ewentualnych zakłóceń elektromagnetycznych. Wpływa na nią także pozycja anteny odbiornika
Wyjścia	Dla poleceń jak w tabelach 8 i 9
Temperatura pracy	-20°C ÷ 55°C

Pamiętaj: pierwszy nadajnik determinuje typ pozostałych nadajników, które można będzie przyłączyć później

Dane techniczne nadajnika:	nadajnik: FLO2	nadajnik: FLO2R-S	nadajnik: SM2
Typ	Nadajnik dwukanałowy do zdalnego sterowania		
Częstotliwość	433.92MHz		
Kod	Stały kod cyfrowy na 12 bitów typ FLO	Cyfrowy rolling code na 52 bity typ FLOR	Cyfrowy rolling code na 64 bity typ SMILO
Przyciski	2		
Zasilanie	12Vdc z baterią typu 23A		
Pobór prądu	25mA		
Trwałość baterii	1 rok, szacowana w oparciu o parametr: 20 poleceń/na dzień, każde o długości 1 sek., przy temperaturze 20		
Moc wyjściowa	100μW		
Wymiary i masa	72 x 40 h 18mm / 30g	72 x 40 h 18mm / 30g	Diametro 48 h14mm / 19g
Stopień ochrony	IP40 (zastosowanie jedynie w pomieszczeniach i zabezpieczonych miejscach)		
Temperatura pracy	-40°C ÷ 85°C		

Zalecenia i ostrzeżenia skierowane do użytkownika siłownika TEN

Poniższe zalecenia mogą zostać zawarte w "Zaleceniach i ostrzeżeniach dotyczących eksploatacji automatyki", jakie instalator musi przekazać właścicielowi automatyki, a w każdym razie muszą stanowić ich integralną część.

Gratulujemy wyboru automatyki firmy Nice! Firma Nice S.p.A. produkuje elementy do automatyzacji bram, drzwi, bram rolowanych, rolet i markiz: siłowniki, lampy sygnalizacyjne, fotokomórki i akcesoria. Firma Nice stosuje w swoich produktach wyłącznie surowce wysokiej jakości i, z powołania, poszukuje nowych rozwiązań innowacyjnych maksymalnie ułatwiających użytkowanie tych urządzeń. Elementy te są technicznie wysokiej jakości, estetyczne i z dokładnie opracowaną ergonomią: Z zestawu produktów Firmy Nice wasz instalator z pewnością wybierze produkt, który najbardziej odpowiada waszym wymaganiom. Wasza automatyka nie jest zwykłym produktem firmy Nice, ale jest dziełem sztuki zrealizowanym w wyniku wieloletnich analiz, obliczeń, wyboru surowców a realizacja tej instalacji powierzona jest waszemu instalatorowi. Każda automatyka jest jedyna w swoim rodzaju. Gdy wasz instalator posiada wystarczające doświadczenie i niezbędną wiedzę do jej wykonania to automatyka na pewno będzie odpowiadała waszym wymaganiom, będzie trwała i niezawodna, a przede wszystkim będzie wykonana zgodnie z aktualnie obowiązującymi normami prawnymi. Automatyka jest wygodnym rozwiązaniem, posiada funkcjonalny system zabezpieczający i gdy jest zadbane będzie wam służyć wiele lat. Gdy automatyka spełnia wasze wymagania w zakresie bezpieczeństwa i zgodnie z normami prawnymi nie znaczy to, że nie istnieją inne niebezpieczeństwa. Mogą się bowiem utworzyć się sytuacje niebezpieczne spowodowane nieodpowiedzialnym i błędnym użytkowaniem. Dlatego też chcemy przekazać wam użyteczne wskazówki w celu uniknięcia takich niekorzystnych sytuacji:

- **Przed pierwszym użyciem automatyzacji,** poproście instalatora o wyjaśnienie, jakie zagrożenia mogą pojawić się w czasie użytkowania bramy i skąd pochodzą, przeznaczone kilka minut na przeczytanie **instrukcji i ostrzeżeń dla użytkownika** jakie przekazał wam instalator. Należy przechowywać instrukcje w celu możliwych późniejszych konsultacji i przekazać ją ewentualnemu następnemu użytkownikowi bramy.

- **Wasz automat jest maszyną, która dokładnie wykonuje wasze polecenia;** niewłaściwe lub nieuprawnione użycie może stać się niebezpieczne: nie sterujcie ruchem bramy, jeśli w jej pobliżu znajdują się osoby, zwierzęta lub przedmioty.

- **Dzieci:** automatyka gwarantuje wysoki stopień bezpieczeństwa. Zatrzymuje ruch, gdy jej system zabezpieczający odczyta obecność osób lub rzeczy i gwarantuje uaktywnienie tego systemu w sposób pewny i przewidziany. Bezpieczniej jednak jest zabronić dzieciom bawienia się w pobliżu automatyki jak również pozostawionymi bez nadzoru pilotami, aby uniknąć nieumyślnego włączenia: **nadajniki sterowania to nie zabawka!**

- **Anomalie:** Gdy zauważy się jakiegokolwiek niewłaściwe zachowanie automatyki należy odłączyć od niej zasilanie elektryczne i odłączyć ręcznie według procedury niżej opisanej. Nie próbujcie sami wykonać jakiegokolwiek naprawy, lecz zwróćcie się o pomoc do waszego zaufanego instalatora: W międzyczasie brama może działać jako otwierana ręcznie (po odblokowaniu siłownika), tak jak to wcześniej opisano.

- **Konserwacja:** Automatyka, jak każda maszyna, wymaga okresowych czynności konserwacyjnych, co gwarantuje jej bezpieczne i długoletnie funkcjonowanie. Warto u Uzgodnić z waszym instalatorem program okresowych przeglądów konserwacyjnych. Firma Nice poleca, aby przeglądy wykonywać co sześć miesięcy, ale zależy to też od intensywności użytkowania. Jakikolwiek przegląd, związany z czynnościami konserwacyjnymi czy naprawą, ma być wykonany przez wykwalifikowany personel.

- Nawet jeśli uważacie że potraficie, nie modyfikujcie urządzenia i parametrów programowania oraz nie regulujcie automatyki: należy to do waszego instalatora

- Odbiór, konserwacje okresowe i ewentualne naprawy muszą być udokumentowane przez wykonującego je, a dokumentacja przechowywana przez właściciela urządzenia.

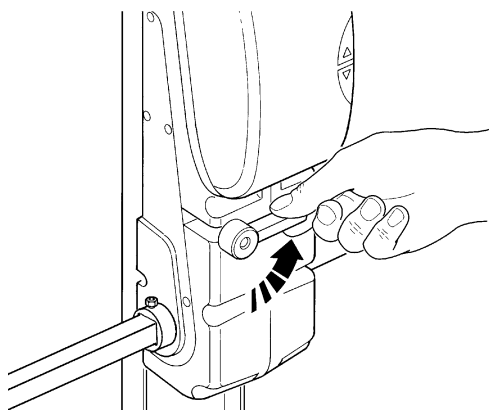
- **Jedynie czynności, które możecie** i powinniście wykonywać okresowo, to czyszczenie szybek fotokomórek i usuwanie ewentualnych liści, kamieni i innych obiektów, które mogłyby przeszkodzić w ruchu bramy. Aby uniemożliwić nieoczekiwane uruchomienie bramy, przed rozpoczęciem tych prac pamiętajcie o odblokowaniu automatu (tak jak wcześniej to opisano). Do czyszczenia używajcie jedynie ściereczki lekko zwilżonej wodą

- **Złomowanie:** Po zakończeniu okresu użytkowania automatyki dopilnujcie, aby likwidacja została przeprowadzona przez wykwalifikowany personel i aby materiały zostały poddane recyklingowi lub utylizacji zgodnie z obowiązującymi przepisami.

- **W wypadku uszkodzenia lub braku zasilania.** Oczekując na waszego instalatora lub do momentu przywrócenia zasilania (jeśli urządzenie nie jest wyposażone w dodatkowy akumulator), brama może być używana jako obsługiwana ręcznie. W tym celu należy wykonać wysprzęglenie siłownika (jedynie działanie dozwolone użytkownikowi): ta operacja została szczególnie przemyślana przez Nice, aby zapewnić wam maksymalną łatwość bez użycia specjalnych narzędzi lub dużego wysiłku fizycznego.

Wysprężenie i ruch ręczny: przed wykonaniem tej operacji, pamiętaj, że wysprężenie może być wykonane tylko przy nieruchomej bramie.

W celu wysprężenia siłownika przekręć dźwignię przeciwnie do ruchu wskazówek zegara i ręcznie wykonaj ruch bramy (Rys. 48)



48

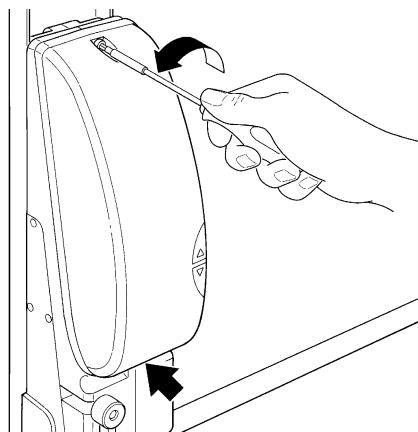
Sterowanie przy niesprawnych urządzeniach zabezpieczających: Istnieje możliwość sterowania bramą, nawet wówczas, gdy urządzenia zabezpieczające nie działają prawidłowo.

- Uruchom bramę (pilotem, przełącznikiem na klucz, itp.). Jeśli wszystko jest w porządku, brama otworzy się i zamknie w sposób normalny, w przeciwnym wypadku lampka ostrzegawcza mignie kilka razy i manewr nie rozpocznie się (liczba mignięć zależy od przyczyny, z powodu której manewr nie może się rozpocząć).
- Wówczas w przeciągu 3 sekund wciśnij i przytrzymaj przycisk odpowiadający temu poleceniu.
- Po około 2 sekundach uaktywni się tryb "W obecności operatora", to znaczy ruch bramy będzie możliwy tylko wtedy kiedy będziemy wciskać przycisk (lub trzymać przekręcony kluczyk) a po zwolnieniu polecenia natychmiast zatrzyma się.

W przypadku niesprawnych urządzeń zabezpieczających należy jak najszybciej naprawić automatykę.

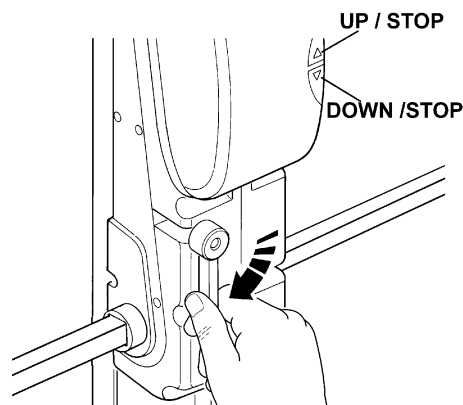
Wymiana żarówki: przed przystąpieniem do tej operacji należy odciąć zasilanie od siłownika TEN

1. Odkręć śruby i otwórz pokrywę (rys. 50).



50

W celu ponownego włączenia automatyki ustaw dźwignię ponownie w pozycji pionowej przekręcając ją zgodnie z ruchem wskazówek zegara i ręcznie wykonaj ruch bramy aż do zaszprzężenia (Rys. 49)

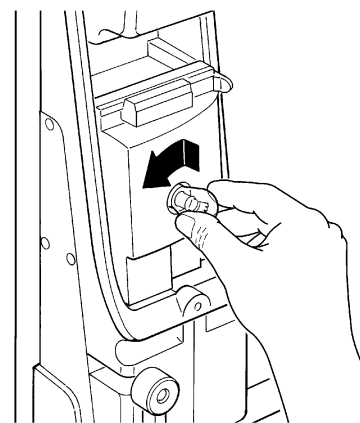


49

Wymiana baterii w pilocie: jeśli pilot, po pewnym czasie, ma zmniejszony zasięg lub w ogóle przestaje działać, przyczyną mogą być po prostu wyczerpane baterie (w zależności od intensywności eksploatacji, czas pracy baterii waha się od kilku miesięcy do ponad roku). Na konieczność wymiany baterii wskazuje także dioda kontrolna, która nie zapala się, świeci bardzo słabo lub zapala się tylko na chwilę. Przed zwróceniem się do instalatora, spróbujcie wymienić baterie na inne, wyjęte z prawidłowo działającego pilota. Jeśli to jest powodem anomalii, wystarczy wymienić baterie na nowe tego samego typu.

Uwaga: Baterie zawierają substancje zanieczyszczające: nie wolno ich wyrzucać do odpadów domowych, ale należy oddać je do utylizacji według lokalnych norm i regulaminów.

2. Wykręć żarówkę i wymień ją na nową 12V/10 W wtyk BA15S (rys. 51).



51

Jesteście zadowoleni? Gdybyście chcieli w przyszłości dokupić kolejne urządzenie automatyki, zwróćcie się do tego samego instalatora i do Nice, a zapewnicie sobie nie tylko profesjonalną poradę i najbardziej zaawansowany produkt na rynku, ale też najlepsze funkcjonowanie i największą kompatybilność z istniejącą instalacją.

Dziękujemy za przeczytanie naszych zaleceń i życzymy dużo satysfakcji z nowego urządzenia. Państwa instalator z przyjemnością udzieli dodatkowych wyjaśnień czy porad dotyczących obecnej lub przyszłej eksploatacji automatyki

Ten

Table of contents:

page

1	Aanbevelingen	171	7	Nadere details	184
2	Beschrijving van het product en gebruiksdoel	172	7.1	Programmeertoetsen	184
2.1	Gebruikslimieten	172	7.2	Programmeringen	184
2.2	Controle van de componenten van het product	173	7.2.1	Functies eerste niveau (functies ON-OFF)	184
2.3	Typische installatie	174	7.2.2	Programmering eerste niveau (functies ON-OFF)	185
2.4	Kabellijst	174	7.2.3	Functies tweede niveau (instelbare parameters)	185
3	Installatie	175	7.2.4	Programmering tweede niveau (instelbare parameters)	185
3.1	Controles vooraf	175	7.2.5	Voorbeeld van programmering eerste niveau (functies ON-OFF)	186
3.2	Installatie van de mechanische componenten	175	7.2.6	Voorbeeld van programmering tweede niveau (instelbare parameters)	186
3.3	Afstelling van de eindschakelaars	178	7.3	Plaatsen of weghalen van inrichtingen	186
3.4	Installatie van de verschillende inrichtingen	178	7.3.1	Ingang STOP	187
3.5	Elektrische aansluitingen	178	7.3.2	Fotocellen	187
3.5.1	Elektrische aansluiting tweede motor	179	7.3.3	Elektrisch slot	188
3.5.2	Beschrijving van de elektrische aansluitingen	179	7.3.4	Programmering functie Fototest / Elektrisch slot	188
4	Eindcontroles en inbedrijfstelling	179	7.3.5	Activering / deactivering gevoeligheid stroommeting	188
4.1	Selectie type installatie	179	7.3.6	Programmering van de richting van installatie van TEN	189
4.2	Aansluiting van de stroomvoorziening	180	7.4	Bijzondere functies	189
4.3	Herkenning van de openings-en sluitstanden van de deur	180	7.4.1	Functie "Open altijd"	189
4.4	Controle van de beweging van de deur	180	7.4.2	Functie "Beweeg in ieder geval"	189
4.5	Vooraf ingestelde functies	180	7.5	Aansluiting andere inrichtingen	189
4.6	Radio-ontvanger	180	7.6	Oplossen van problemen	190
4.7	Geheugenopslag van de radiozenders	181	7.7	Diagnostiek en signalering	190
4.7.1	Geheugenopslag modus I	181	7.7.1	Signaleringen met het knipperlicht	190
4.7.2	Geheugenopslag modus II	182	7.7.2	Signaleringen op de besturingseenheid	191
4.7.3	Geheugenopslag "dichtbij de ontvanger"	182	7.8	Accessoires	192
4.7.4	Wissen van de radiozenders	182	7.8.1	Pre montage voor OTA11	192
5	Eindtest en inbedrijfstelling	183	8	Technische gegevens	193
5.1	Eindtest	183		Aanwijzingen en aanbevelingen bestemd voor de gebruiker van de reductiemotor TEN	195
5.2	Inbedrijfstelling	183			
6	Onderhoud en afvalverwerking	183			
6.1	Onderhoud	183			
6.2	Afvalverwerking	184			

1) Aanbevelingen

Deze handleiding bevat belangrijke informatie voor de veiligheid van de installatie. Alvorens u met de installatie gaat beginnen dient u alle in deze handleiding vervatte aanwijzingen te lezen. Bewaar deze handleiding ook voor later gebruik.

Met het oog op gevaarlijke situaties die zich tijdens de installatie en het gebruik van TEN kunnen voordoen, moeten ook tijdens de installatie de wetten, voorschriften en regels volledig in acht genomen worden. In dit hoofdstuk zullen algemene aanbevelingen gegeven worden; andere belangrijke aanbevelingen vindt u in de hoofdstukken "3.1 Controles vooraf"; "5 Eindtest en inbedrijfstelling".

⚠ Volgens de meest recente Europese wetgeving valt het aanleggen van een automatische deur of deur onder wat voorzien is in de Richtlijn 98/37/EG (Machinerichtlijn) en met name onder de voorschriften: EN 13241-1 (geharmoniseerde norm); EN 12445; EN 12453 en EN 12635, waardoor het mogelijk is een verklaring van overeenstemming met de machinerichtlijnen af te geven.

Verdere inlichtingen, richtlijnen ten aanzien van het vaststellen van risico's en het samenstellen van het technische dossier zijn beschikbaar op: "www.niceforyou.com". Deze handleiding is uitsluitend bestemd voor technisch personeel dat voor de installatie bevoegd is. Behalve de specifieke los te halen bijlage welke de installateur dient te verzorgen, namelijk "Aanwijzingen en aanbevelingen bestemd voor de gebruiker van de reductiemotor TEN" kan andere informatie die in dit dossier is vervat, niet als interessant voor de eindgebruiker worden beschouwd!

- Ieder ander gebruik van TEN dat niet voorzien is in deze aanwijzingen is verboden; oneigenlijk gebruik kan gevaar opleveren of letsel en schade aan mensen en zaken veroorzaken.
- Voordat u met de installatie begint, dient u een analyse van de risico's te maken waarvan de lijst van essentiële veiligheidseisen zoals die in Bijlage I van de Machinerichtlijn zijn voorzien, deel uitmaakt; hierin geeft u de toegepaste oplossingen aan. Wij maken u erop attent dat de risicoanalyse één van de documenten is die deel uitmaken van het "technisch dossier" van de automatisering.
- Controleer of er verdere inrichtingen nodig zijn om de automatisering met TEN op basis van de specifieke toepassingssituatie en aanwezige gevaren te completeren; u dient daarbij bijvoorbeeld risico's op het gebied van botsen, beknelling, scharen, etc. en andere algemene gevaren in acht te nemen.
- Breng geen wijzigingen aan onderdelen aan, indien dit niet in deze handleiding is voorzien. Dergelijke handelingen kunnen alleen maar storingen veroorzaken. NICE wijst elke aansprakelijkheid voor schade tengevolge van gewijzigde artikelen van de hand.
- Zorg ervoor dat er tijdens het installeren niets, ook geen vloeistof, in de besturingseenheid of andere open inrichting kan komen; neem eventueel contact op met het technisch servicecentrum van NICE; het gebruik van TEN in deze situaties kan een gevaarlijke situatie doen ontstaan.
- Het automatisme mag niet gebruikt worden voordat de inbedrijfstelling heeft plaatsgevonden zoals dat in hoofdstuk: "5 Eindtest en inbedrijfstelling" is aangegeven
- De afvalverwerking van het verpakkingsmateriaal van TEN moet geheel en al volgens de plaatselijk geldende regels plaatsvinden.
- Indien er zich een storing voordoet die u niet met behulp van de in deze handleiding vervatte informatie kunt oplossen, gelieve u contact op te nemen met de technische servicedienst van NICE.
- Wanneer er een automatische schakelaar of zekering in werking is getreden, dient u alvorens die terug te stellen, de storing op te zoeken en die te verhelpen.
- Voordat u de interne klemmetjes onder de dekplaat van TEN aanraakt dient u alle circuits van stroomtoevoer los te koppelen; indien dit niet te zien is, dient u een bord aan te brengen met de tekst: "LET OP ONDERHOUDSWERKZAAMHEDEN IN UITVOERING".

Bijzondere aanbevelingen ten aanzien van de gebruiksgeschiktheid van dit product met betrekking tot de "Machinerichtlijn" 98/37/EG (ex 89/392/EEG):

- Dit product wordt op de markt gebracht als een "machine-onderdeel" en is er dus voor gemaakt om in een machine ingebouwd te worden of met andere machines geassembleerd te worden teneinde "een machine" op grond van de Richtlijn 98/37/EG te vormen alleen in combinatie met andere onderdelen op de manier zoals dat in deze handleiding beschreven is. Zoals dat voorzien is in de Richtlijn 98/37/EG wordt er gewaarschuwd dat het niet geoorloofd is dit product in bedrijf te stellen zolang de fabrikant van de machine waarin dit product wordt opgenomen, deze niet heeft geïdentificeerd en conform de Richtlijn 98/37/EG verklaard.

Bijzondere aanbevelingen ten aanzien van de gebruiksgeschiktheid van dit product met betrekking tot de Richtlijn "Laagspanning" 73/23/EEG en de daaropvolgende wijziging 93/68/EEG:

- Dit product voldoet aan de eisen van de Richtlijn "Laagspanning" indien het gebruikt wordt voor de toepassing en in de configuratie zoals dat in deze handleiding met aanwijzingen voorzien is en in combinatie met de artikelen uit de productencatalogus van Nice S.p.a. Het zou kunnen zijn dat er niet aan deze eisen voldaan wordt als het product gebruikt wordt in een configuratie of met andere producten die niet voorzien zijn; het is verboden het product in deze situaties te gebruiken zolang degene die de installatie verricht niet heeft gecontroleerd of ze aan de in de Richtlijn gestelde eisen voldoen.

Bijzondere aanbevelingen ten aanzien van de gebruiksgeschiktheid van dit product met betrekking tot de Richtlijn "Elektromagnetische Compatibiliteit" 89/336/EEG en daaropvolgende wijzigingen 92/31/EEG en 93/68/EEG:

- Dit product voldoet aan de eisen van de Richtlijn "Laagspanning" indien het gebruikt wordt voor de toepassing en in de configuratie zoals dat in deze handleiding met aanwijzingen voorzien is en in combinatie met de artikelen uit de productencatalogus van Nice S.p.a. Het zou kunnen zijn dat er niet aan deze eisen voldaan wordt als het product gebruikt wordt in een configuratie of met andere producten die niet voorzien zijn; het is verboden het product in deze situaties te gebruiken zolang degene die de installatie verricht niet heeft gecontroleerd of ze aan de in de Richtlijn gestelde eisen voldoen.

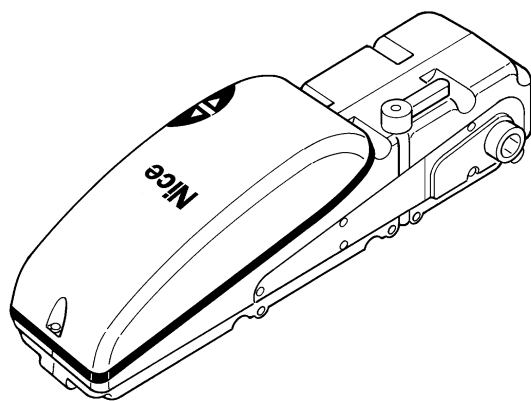
2) Beschrijving van het product en gebruiksdoel

TEN (afbeelding 1) is een reductiemotor (Tabel 1: beschrijving samenstelling TEN), bestemd voor het automatiseren van kanteldeuren met tegengewichten; kanteldeuren met veer; buiten of binnen de gevel draaiend alsook gelede deuren. TEN kan de eindpositie (in open en gesloten stand) via een vertragingfase bereiken. Bovendien wordt tijdens de manoeuvre voortdurend de belasting op de motor gecontroleerd waardoor eventuele obstakels tijdig gesignaleerd worden zodat de beweging van de vleugel wordt geblokkeerd; in dit geval voert de automatisering eerst een stop en vervolgens een kortdurende manoeuvre in de omgekeerde richting uit.

Tabel 1: beschrijving samenstelling TEN

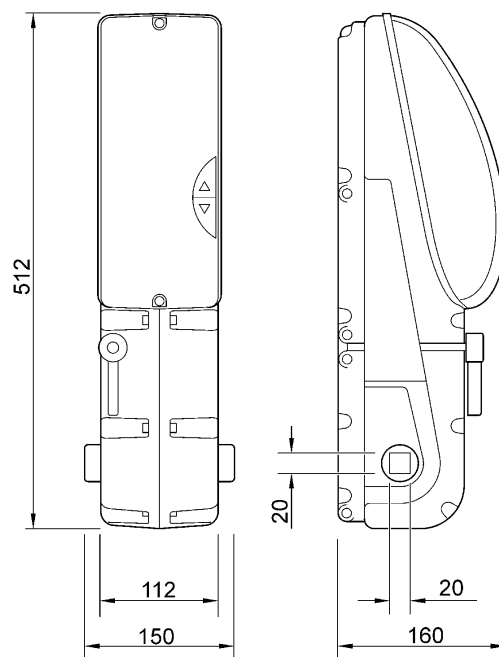
Model type	Beschrijving
TN2020*	Onomkeerbare reductiemotor en gebruikerslicht. Te gebruiken als "Slave" van TN2010 of TN2030
TN2030	Onomkeerbare reductiemotor, besturingseenheid, mechanische eindschakelaar in open en gesloten stand en gebruikerslicht
TNKCE	Onomkeerbare reductiemotor, besturingseenheid, mechanische eindschakelaar in open en gesloten stand en gebruikerslicht. Alleen beschikbaar als Kit en geschikt voor een automatisering met 1 enkele centrale motor.

* Als hij anders wordt gebruikt, dient u zich ervan te vergewissen dat de stroomtoevoer afkomstig is van een systeem op veiligheidslaagspanning waarin geen spanning wordt opgewekt die hoger is dan de veiligheidslaagspanning.



1

Voordat u gaat installeren dient u te controleren of de onderdelen van het product intact zijn, het gekozen model adequaat is en de omgeving van installatie geschikt.



2.1) Gebruikslimieten

De gegevens met betrekking tot de prestaties van TEN kunt u in hoofdstuk "8 Technische gegevens" vinden en dat zijn de enige waarden waarmee het mogelijk is correct te beoordelen of die voor een bepaalde toepassing geschikt is. In het algemeen kan TEN kanteldeuren automatiseren op basis van de in tabel 2 opgevoerde limieten.

Tabel 2: gebruikslimieten reductiemotoren TEN

Typologie deur	Aangedreven door 1 motor		Aangedreven door 2 motoren	
	Max. hoogte	Max. lengte	Max. hoogte	Max. lengte
Buiten de gevel draaiende kanteldeur	2,6m	3m	2,6m	5,4m
Binnen de gevel draaiende kanteldeur	2,6m	3m	2,6m	5,4m

De vraag of TEN daadwerkelijk geschikt is een bepaalde deur te automatiseren hangt af van de mate van uitbalanceren van de vleugel, de wrijving van de geleiders en andere zo af en toe aanwezige factoren, zoals de kracht van de wind of de aanwezigheid van ijs waardoor de beweging van de vleugel belemmerd zou kunnen worden. Voor een reële controle is het absoluut noodzakelijk de kracht te meten die er nodig is om de vleugel over haar gehele loop te laten bewegen en te controleren dat deze kracht niet groter is dan het "nominale koppel" dat in hoofdstuk "8 Technische gegevens" is aangegeven; bovendien dient er om het aantal cycli/uur en de opeenvolgende cycli vast te stellen, rekening gehouden te worden met wat er in de tabellen 3 en 4 opgevoerd is.

Tabel 3: limieten met betrekking tot de benodigde kracht om de vleugel met 1 TNKCE of TN2030 te verplaatsen

Kracht om de vleugel te verplaatsen (Nm)	Max. aantal cycli/uur			Max. aantal cycli achter elkaar		
	TNKCE	TN2020	TN2030	TNKCE	TN2020	TN2030
Tot 120	20	30	25	25	33	27
120÷180	18	28	23	23	31	25
180÷220	15	25	20	20	28	22

Tabel 4: limieten met betrekking tot de benodigde kracht om de vleugel met 1TN2030 +1 TN2020 te verplaatsen

Kracht om de vleugel te verplaatsen (Nm)	Max. aantal cycli/uur	Max. aantal cycli achter elkaar
	Tot 150	15
150÷250	13	17
250÷350	10	15

Om oververhitting te voorkomen heeft de besturingseenheid een begrenzer van het aantal, dat zich baseert op de belasting van de motor en de duur van de cycli, waarbij deze in werking treedt wanneer de maximale limiet overschreden wordt.

In hoofdstuk "8 Technische gegevens" vindt u de geschatte "levensduur" dat wil zeggen de gemiddelde economische levensduur van het product. Deze waarde wordt sterk beïnvloed door de zwaarte-index van de manoeuvres, dat wil zeggen door de som van alle factoren die bijdragen aan het slijtageproces. Om deze schatting te kunnen maken dienen alle zwaarte-indexen van tabel 5 bij elkaar opgeteld te worden; daarna dient u het resultaat daarvan te controleren in de grafiek van de geschatte levensduur. Bij voorbeeld TNKCE op een deur van 130 kg, waarvoor een kracht van 150Nm nodig is om hem te bewegen, voorzien van fotocellen en zonder andere uitputtingselementen heeft een zwaarte-index gelijk aan 60% (30+20+10). Op basis van de grafiek wordt de levensduur op 18.000 cycli geschat.

Er wordt op gewezen dat de schatting van de levensduur gebaseerd is op berekeningen bij het ontwerpen en op proeven op prototypes; daar het om een schatting gaat, geeft dit geen enkele garantie voor de daadwerkelijke levensduur van het product.

Tabel 5: schatting van de levensduur met betrekking tot de zwaarte-index van de manoeuvre

Zwaarte-index %	TNKCE	TN2030 +	TN2020
-----------------	-------	-------------	--------

Gewicht van de vleugel kg

Tot 70	20	10	
70 ÷ 150	30	20	
150 ÷ 200	40	30	
Boven de 200	60	50	

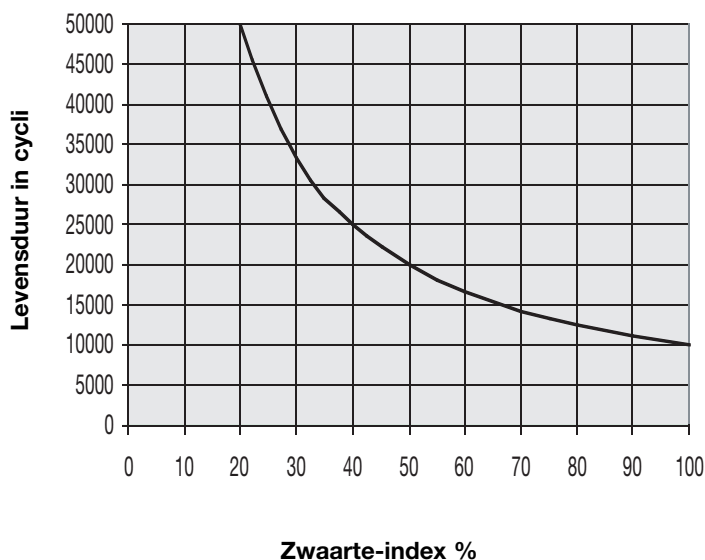
Kracht om de vleugel te verplaatsen N

Tot 100	10	5	
100 ÷ 180	20	15	
180 ÷ 220	40	30	
220 ÷ 280	-	50	

Andere vermoeidheidselementen (in aanmerking te nemen als de mogelijkheid, dat dat gebeurt groter is dan 10%)

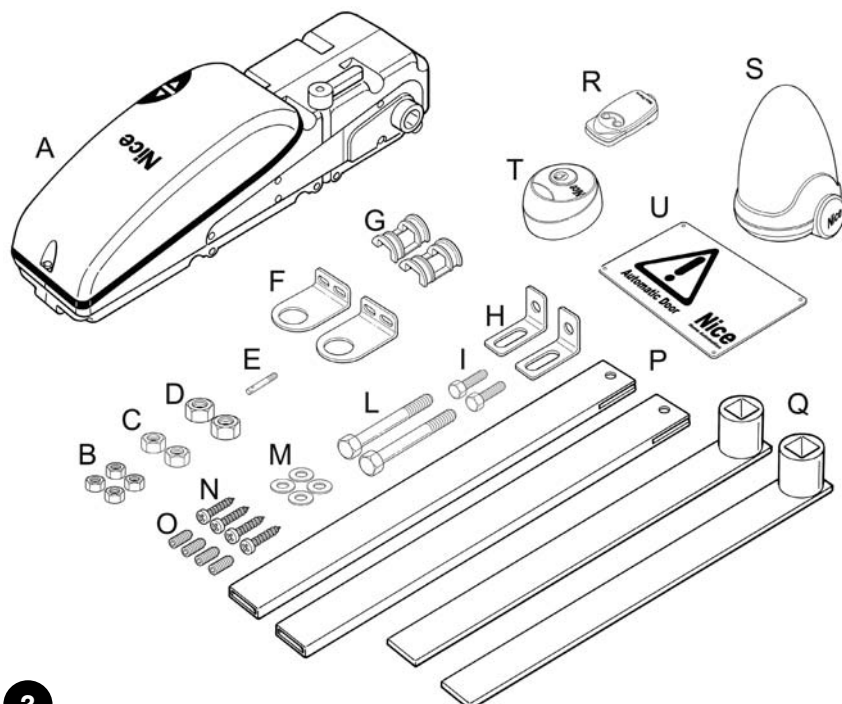
Omgevingstemperatuur hoger dan 40°C of lager dan 0°C of vochtigheidsgraad van meer dan 80%	10	10	
Aanwezigheid van stof of zand	15	15	
Aanwezigheid van zout	20	20	
Onderbreking manoeuvre door Foto	10	10	
Onderbreking manoeuvre door Stop	20	20	
Hoge snelheid	15	15	

Totale zwaarte-index %:



2.2) Controle van de onderdelen van het product

- Controleer of de verpakking intact is;
- **verwijder de verpakking en vergewis u ervan dat wat hieronder (afb. 2) is beschreven, aanwezig is:**

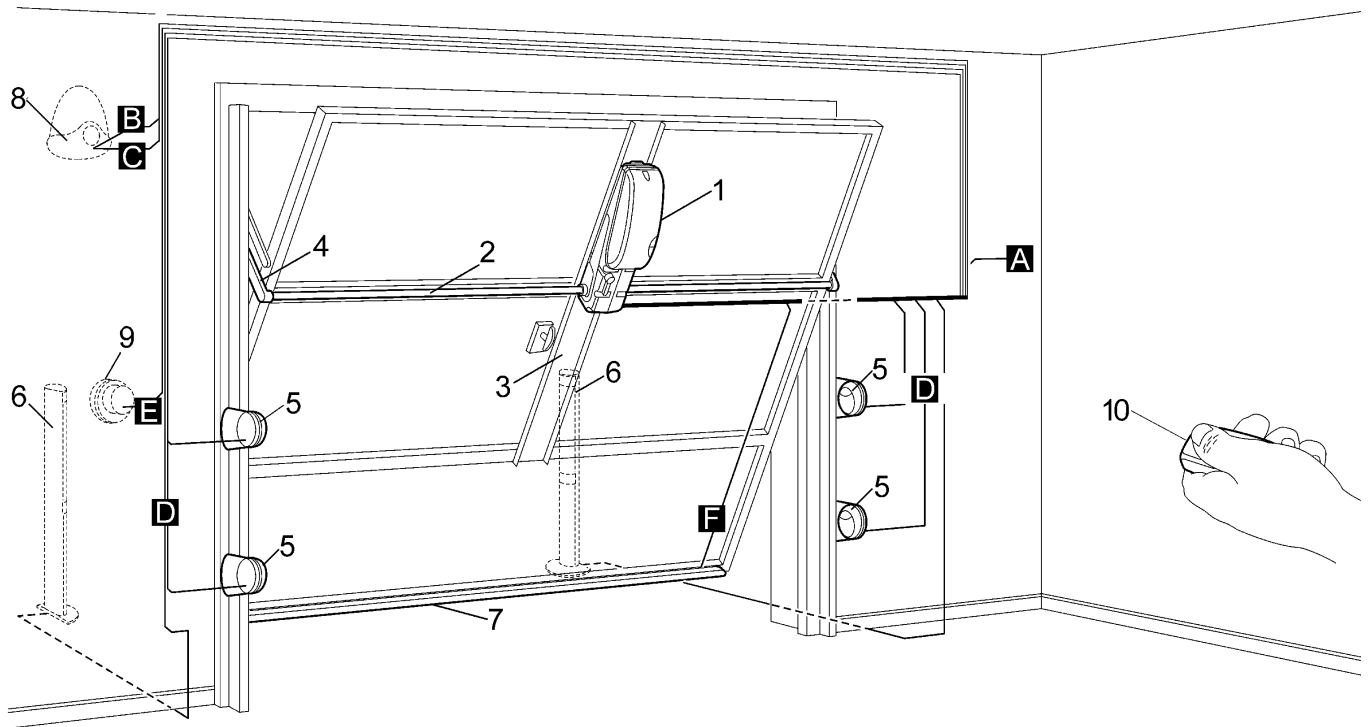


Aantal stks.	TNKCE
A	1 Reductiemotor TEN
B	4 M6-moeren
C	2 M8-moeren
D	2 M10-moeren
E	1 Ontgrendelingsstaafje
F	2 Steunbeugel arm
G	2 Pasbus
H	2 Bevestigingsbuis boven
I	2 Schroef M10x30
L	2 Schroef M8x110
M	4 Borgringetjes Ø8
N	4 Zelftappende schroef 5.3x19
O	4 Stiften met schroefdraad M6x14
P	2 Telescoopbuis
Q	2 Rechte arm met daaraan gesoldeerde bus
R	1 Afstandsbediening
S	1 Knipperlicht
T	2 Keuzeschakelaar
U	1 Identificatieplaatje

Aantal stks.	TN2030-TN2020
A	1 Reductiemotor TEN
B	2 M6-moeren
C	2 M8-moeren
E	1 Ontgrendelingsstaafje
L	2 Schroef M8x110
M	2 Borgringetjes Ø8
O	2 Stiften met schroefdraad M6x14

2.3) Typische installatie

Op afbeelding 3 vindt u een typische installatie voor kanteldeuren met toepassing van TEN.



2

- | | |
|-------------------------|---|
| 1 TEN | 7 Contactlijst |
| 2 Vierkante buis 20x20 | 8 Knipperlicht 12V met ingebouwde antenne |
| 3 Steunbeugel | 9 Sleutelschakelaar |
| 4 Telescooparm | 10 Radiozender |
| 5 Fotocellen | |
| 6 Fotocellen op zuiltje | |

2.4) Kabellijst

Op de typische installatie op afbeelding 3 worden ook de kabels aangegeven die noodzakelijk zijn voor de aansluiting van de verschillende inrichtingen; in tabel 5 worden de kenmerken van de kabels aangegeven.

⚠ De gebruikte kabels moeten geschikt zijn voor het type installatie; zo bevelen we bijvoorbeeld een kabel van het type H03VV-F aan, wanneer die binnenshuis gebruikt wordt.

Tabel 6: kabellijst

Aansluiting	Type kabel	Maximaal toegestane lengte
A - Elektrische toevoering	1 kabel (3 x 1,5 mm ²)	30 m (*)
B - Knipperlicht 12V	1 kabel (2 x 1 mm ²)	20 m
C - Antenne	1 afgeschermde kabel (type RG58)	20 m (aanbevolen lengte: minder dan 5 m)
D - Fotocel-zender	1 kabel (2 x 0,25 mm ²)	20 m
D - Fotocel-ontvanger	1 kabel (3 x 0,25 mm ²)	20 m
E - Sleutelschakelaar	2 kabels (2 x 0,25 mm ²)	20 m
F - Contactlijst	1 kabel (2 x 0,25 mm ²)	20 m

Opmerkingen: (*) als de voedingskabel een lengte van meer dan 30 m heeft, is er een kabel met een grotere doorsnede nodig, bijvoorbeeld 3x2,5mm² en dient er aarding in de nabijheid van de automatisering plaats te vinden.

3) Installatie

⚠ De installatie van Ten dient uitsluitend door gekwalificeerd personeel uitgevoerd te worden waarbij de wetten, voorschriften en regels en wat in deze aanwijzingen staat, in acht worden genomen.

3.1) Controles vooraf

Voordat u met de installatie van TEN begint, dient u onderstaande controles uit te voeren:

- Vergewis u ervan dat al het te gebruiken materiaal in een optimale staat verkeert en geschikt is voor gebruik en conform de voorschriften.
- Controleer of het gewicht en de afmetingen van de vleugel binnen de gebruikslimieten zoals die in paragraaf "2.1 Gebruikslimieten" zijn aangegeven, vallen.
- Vergewis u ervan door de waarden uit hoofdstuk "8 Technische gegevens" te vergelijken, dat de benodigde kracht om de vleugel in beweging te brengen, kleiner is dan de helft van het "Maximale koppel" en dat de benodigde kracht om de vleugel te laten bewegen als deze eenmaal loopt, kleiner is dan de helft van het "Nominale koppel"; het is raadzaam een marge van 50% op deze krachten aan te houden, omdat slechte weersomstandigheden de wrijving kunnen verhogen.
- Controleer of er over de gehele loop van de deur, zowel bij sluiting als opening, geen punten met een grotere wrijving zijn.
- Vergewis u ervan dat de mechanische stops sterk genoeg zijn en controleer dat er geen gevaar bestaat dat de deur uit de geleide-rails loopt.
- Controleer of de deur goed in evenwicht is; dat wil zeggen deze mag niet in beweging komen, wanneer de manoeuvre op een willekeurige stand onderbroken wordt.
- Controleer of de punten van bevestiging van de diverse inrichtingen (fotocellen, toetsen, e.d.) zo gekozen zijn dat er niet tegen aan gestoten kan worden en of de bevestigingsvlakken stevig genoeg zijn.

- Controleer op basis van het type deur buiten de gevel of binnen de gevel draaiende of gelede deur - of het mogelijk is TEN te bevestigen op de hoogten zoals die respectievelijk op de afbeeldingen 5, 6 of 7 zijn aangegeven.
- Indien er niet voldoende ruimte is tussen de steunarm en het vaste deel van de deur, zal het noodzakelijk zijn het accessoire "gebogen armen" te gebruiken om een kruising te voorkomen.
- Zorg ervoor dat geen enkel deel van het automatisme in water of een andere vloeistof terecht kan komen.
- Houd de onderdelen van TEN uit de buurt van relevante warmtebronnen en open vuur. Anders zou TEN schade kunnen oplopen of zouden er storingen, brand of gevaarlijke situaties kunnen ontstaan.
- Indien er in de vleugel een kleinere toegangsdeur is, dient u zich ervan te vergewissen dat deze de normale loop niet belemmert, en indien dit wel het geval is, voor een adequate blokkering te zorgen.
- Sluit de besturingseenheid op een leiding van de elektrische stroomvoorziening aan welke correct geaard is.
- De leiding van de elektrische stroomvoorziening dient door een adequate thermomagnetische en differentiaalschakelaar beveiligd te zijn. Op de toevoerlijn van de stroom van het elektriciteitsnet dient een inrichting te komen die de stroomtoevoer kan onderbreken (met overspanningscategorie III, d.w.z. met een minimumafstand tussen de contacten van tenminste 3,5 mm) of ander gelijkwaardig systeem, zoals bijvoorbeeld een stopcontact met een stekker. Als die onderbrekingsinrichting van de stroomtoevoer zich niet in de nabijheid van de automatisering bevindt, dient er een blokkeringsstelsel te zijn tegen het per ongeluk of onbevoegd inschakelen.

3.2) Installatie van de reductiemotor

De plaatsing van TEN verschilt op basis van het type te automatiseren deur en van de beperkingen die in het hoofdstuk "2.1 Gebruikslimieten" zijn aangegeven.

N.B.: Voor het installeren van 2 motoren volgt u dezelfde procedure als voor één motor waarbij u de installatie uitvoert zoals u die kunt zien op afbeelding 14.

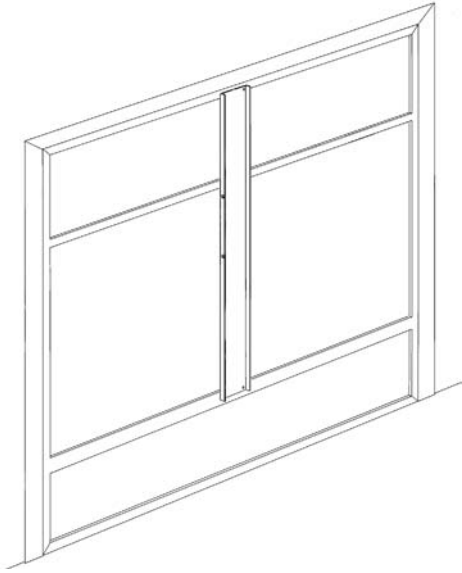
1. Na het type te hebben vastgesteld bevestigt u de steunbeugel op de deur, perfect verticaal, (afbeelding 4), waarbij u de aangegeven hoogten dient aan te houden.
 - 1.1 Voor buiten de gevel draaiende kanteldeuren dient de draaiaas van de 50±100 mm onder de steunarm van de poort te liggen. (Afbeelding 5)
 - 1.2 Op binnen de gevel draaiende kanteldeuren moet de draaiaas van de armen precies op één lijn liggen met de steunarm van de deur. (Afbeelding 6)
 - 1.3 Op gelede kanteldeuren moet de draaiaas van de armen 50±100 mm onder de draaischarnier van de deur liggen (Afbeelding 7).

⚠ Als u TEN omgekeerd gebruikt dient u de besturingseenheid hiervoor te programmeren (zie hiervoor paragraaf "7.3.6 Programmering van de installierichting van TEN).
2. Bevestig de reductiemotor met de daarvoor bestemde schroeven aan de beugel (afbeelding 8).
3. Ontgrendel de reductiemotor door de handgreep tegen de wijzers van de klok in te draaien (afbeelding 9).
4. Bevestig de zijsteunbeugels goed vast en volkomen op één lijn met de rotatie-as van de motor en breng de meegeleverde passbussen aan. (afbeelding 10).

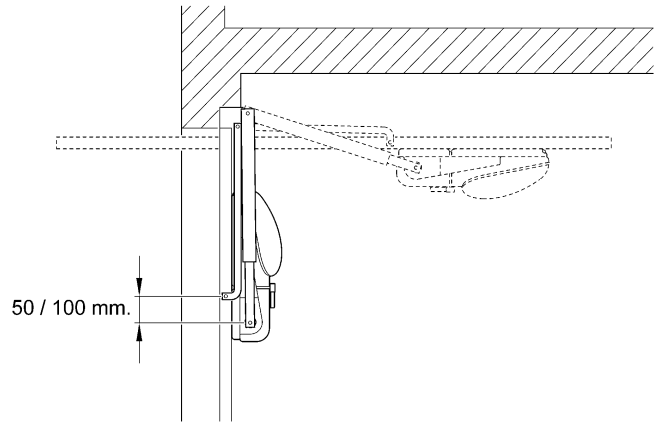
Op basis van de ruimte tussen de steunarm en het vaste frame van de deur zult u rechte dan wel gebogen armen moeten gebruiken.

5. Bevestig de bovenste steun op het frame van de deur (afbeelding 11): indien hij al aanwezig is controleert u of deze geschikt is voor de te gebruiken armen. De op afbeelding 11 aangegeven hoogten vormen slechts een aanwijzing; zij kunnen verschillen al naar gelang de afmetingen van de deur.
 6. Breng de transmissiebuis in de bus van de arm en in de as van de motor aan; snijd de bus op maat af. (afbeelding 12)
 7. Zet de deur helemaal open en snijd de armen op maat af waarbij u eraan dient te denken dat zij bij gesloten deur over tenminste 70 mm worden geleid (afbeelding 13). Mocht de lengte onvoldoende zijn, verplaats dan de bovenste steun of kies langere armen.
 8. Steek de armen in de bijbehorende geleiders en controleer of de deur vrijelijk zonder belemmeringen loopt.
- Controleer opnieuw de uitbalancerings: de deur zal goed uitgebalanceerd zijn, wanneer hij niet meer beweegt als hij op een willekeurige plaats tot stilstand wordt gebracht. Stel zo nodig de uitbalanceringsssystemen bij.**

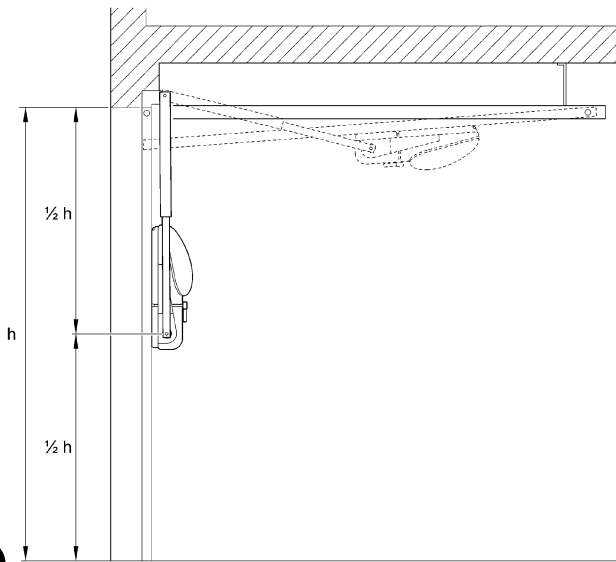
4



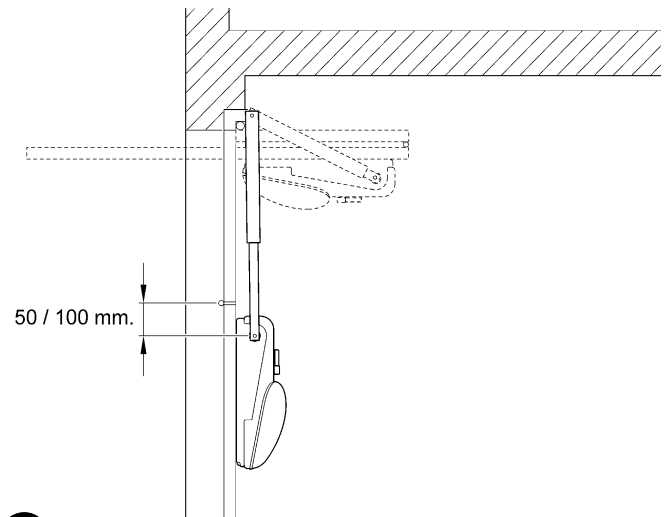
5



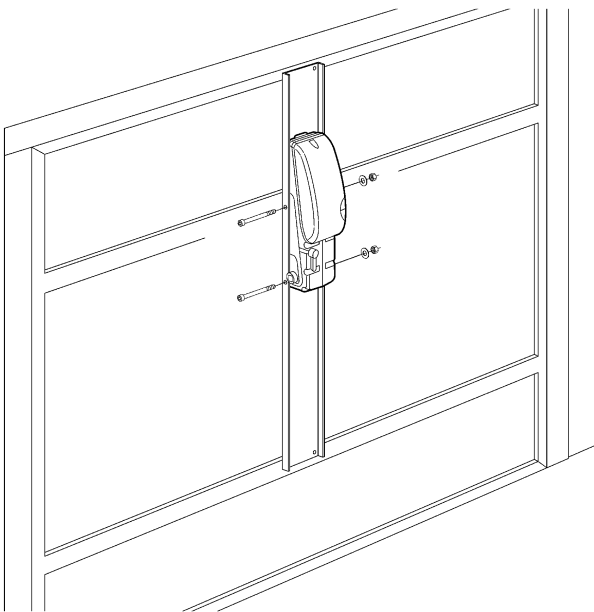
6



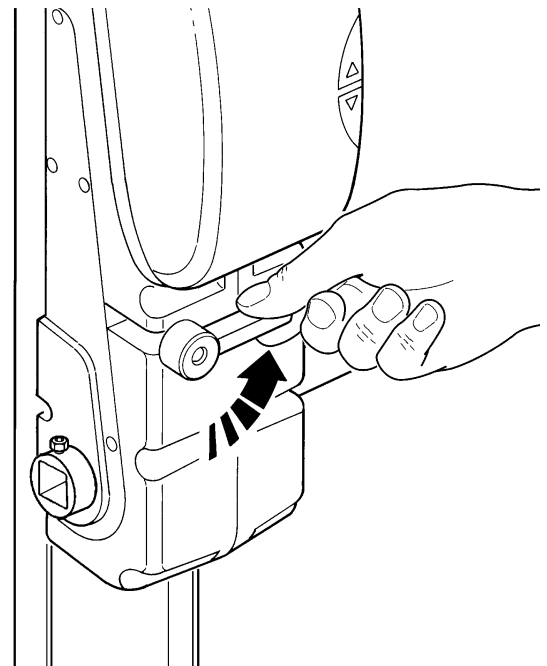
7

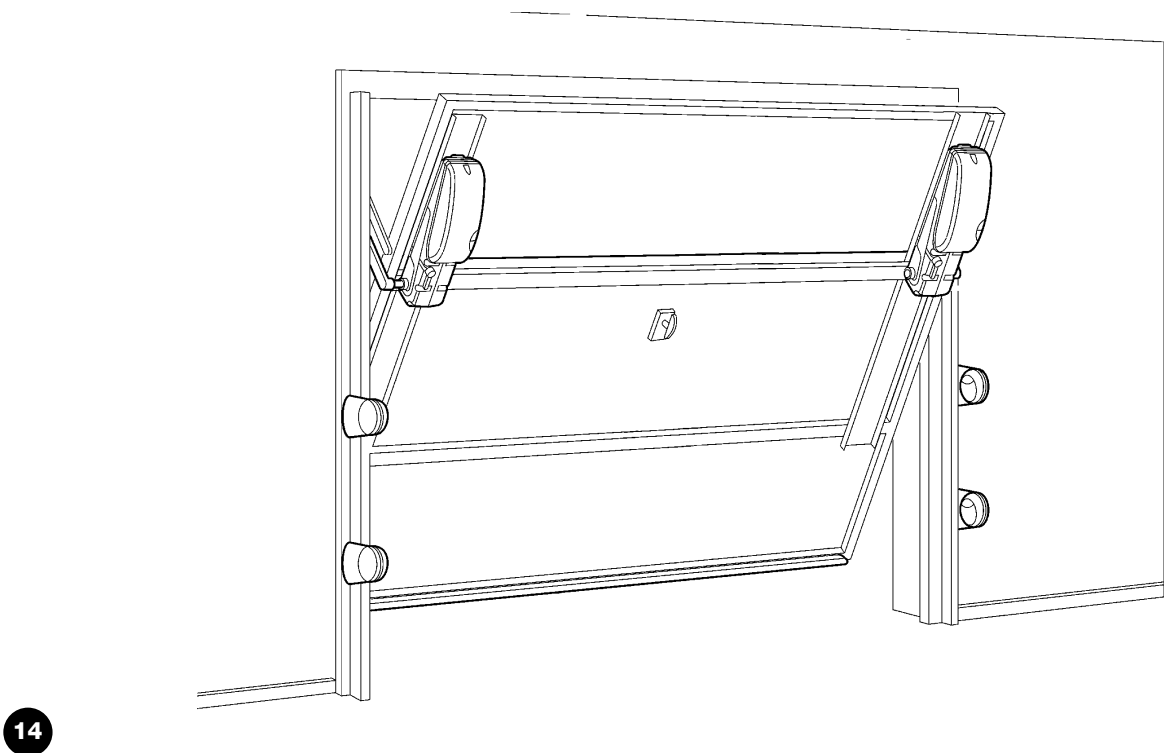
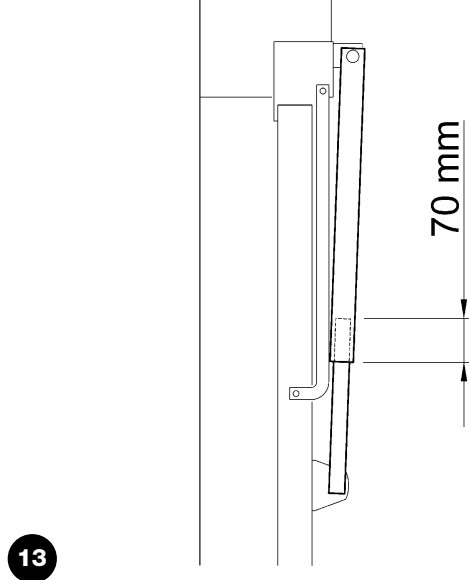
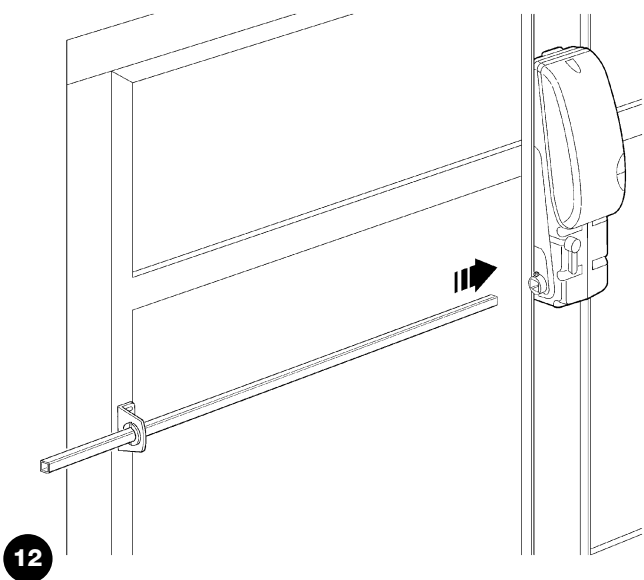
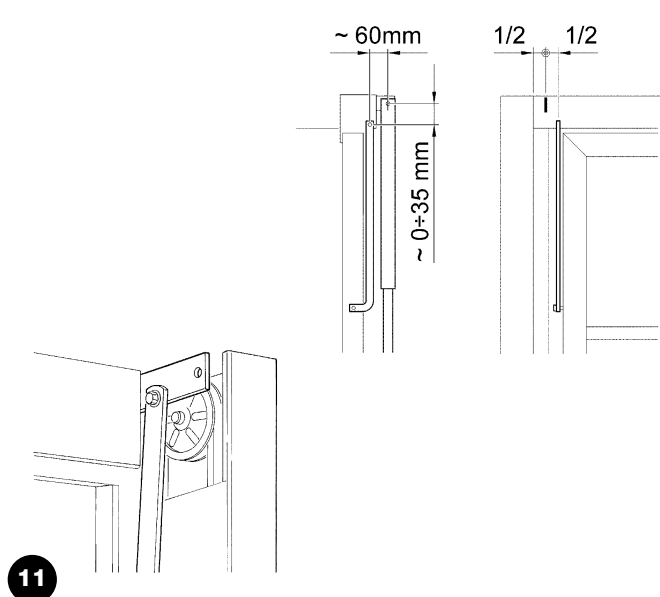
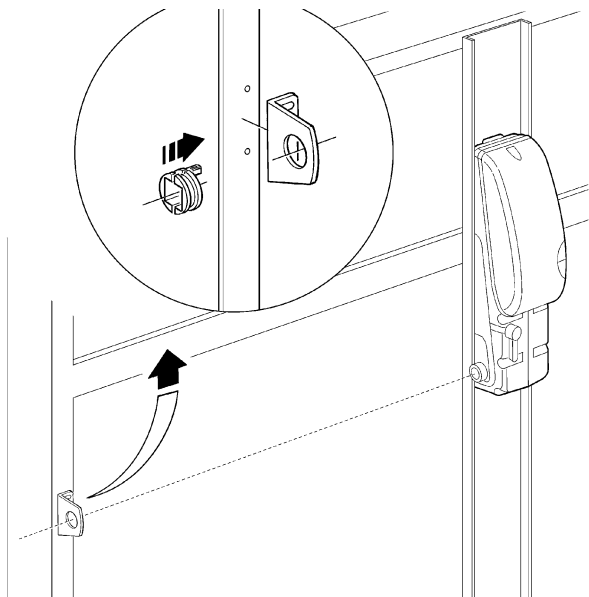


8



9





NL

3.3) Afstelling van de eindschakelaars

Bij ontgrendelde reductiemotor dient u als volgt te handelen: verwijder het carter aan de zijkant door de schroeven los te draaien (afbeelding 15).

Eindschakelaar openingsstand: (afbeelding 16)

1. Zet de deur helemaal open
2. Draai de nok aan de binnenzijde tegen de wijzers van de klok in tot u de klik (inschakelen) van de microschakelaar hoort.
3. Draai de schroef met de inbusleutel stevig vast

Eindschakelaar sluitstand: (afbeelding 17)

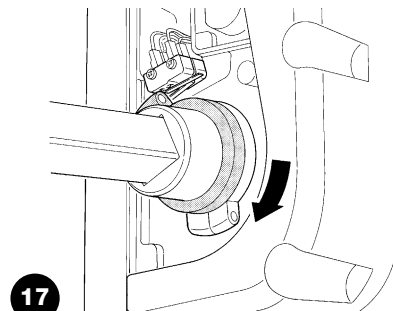
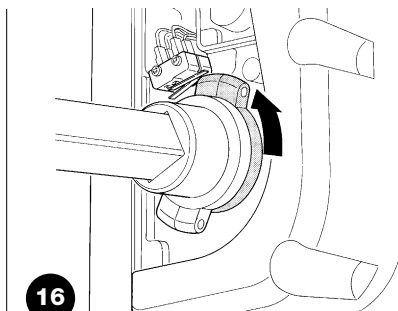
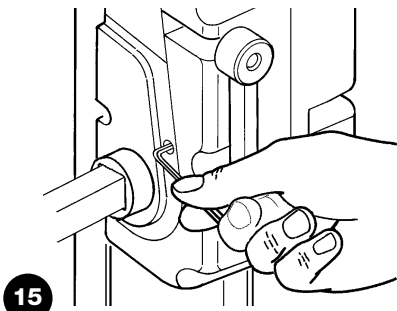
1. Sluit de deur bijna helemaal (laat hem op ongeveer 2cm voor de eindstop stoppen)

2. Draai de nok aan de binnenzijde met de wijzers van de klok mee tot u de klik (inschakelen) van de microschakelaar hoort

3. Draai de schroef met de inbusleutel stevig vast

⚠ De sluitmanoeuvre wordt niet beëindigd alleen als gevolg van inwerkingtreding van de eindschakelaar, maar als gevolg van de combinatie eindschakelaar - eindstop.

Sluit het carter aan de zijkant en let daarbij op de juiste plaats van de kabels en de dichtingen.



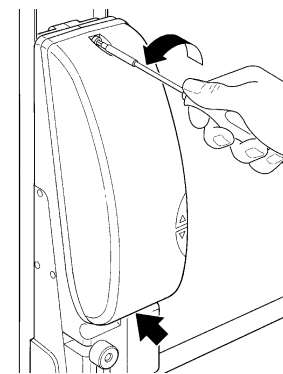
3.4) Installatie van de verschillende inrichtingen

Installeer de andere voorziene inrichtingen volgens de aanwijzingen hiervoor. Controleer in paragraaf "3.5.1 de beschrijving van de elektrische aansluitingen" en op afbeelding 20 de inrichtingen die op TEN kunnen worden aangesloten.

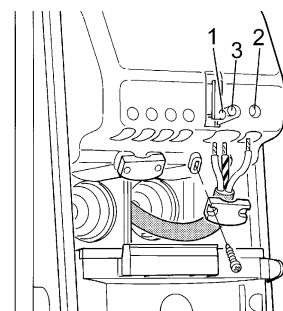
3.5) Elektrische aansluitingen

⚠ Bij het uitvoeren van elektrische aansluitingen mag de installatie absoluut niet onder spanning staan

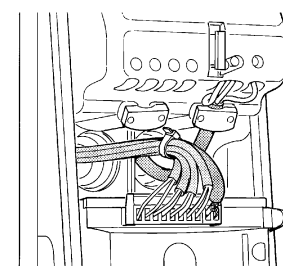
1. Om de elektrische aansluitingen te kunnen verrichten dient u de schroeven van de dekplaat los te draaien (afbeelding 18)
2. Verwijder de twee rubber membranen, die de opening waar de kabels doorheen gevoerd moeten worden, afsluiten. Snijd in het membraan een opening en steek de netkabel in het membraan en de rechter opening. Snijd in het membraan en steek de andere kabels naar de verschillende inrichtingen in het membraan en de linkeropening. Laat de kabels 20÷30 cm uitsteken. Zie tabel 6 voor het type kabels.
3. Sluit de netkabel rechtstreeks op de klemmetjes 1(fase), 2 (nulleider) en 3 (aarde) aan; zet daarna de kabel met een bandje vast zoals dat op afbeelding 19 is aangegeven
4. Voer de aansluiting van de andere kabels volgens het schema op afbeelding 20 uit. Voor nog meer gemak zijn de klemmetjes uitneembaar
5. Na afloop van de aansluitingen dient u de kabels vast te zetten met bandjes (afbeelding 21).



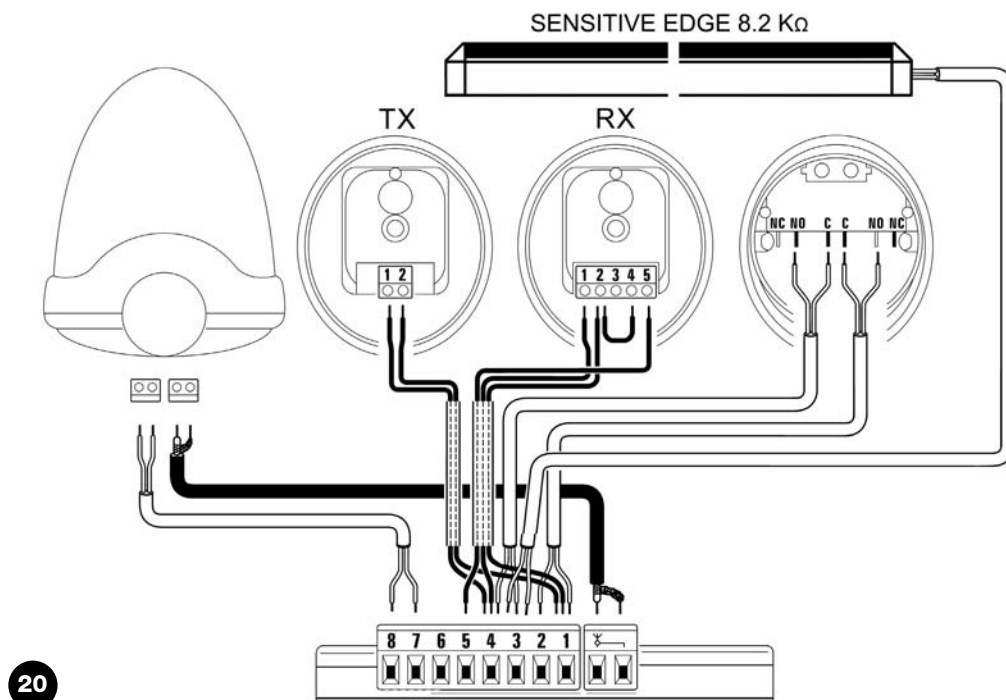
18



19




21



20

3.5.1) Beschrijving van de elektrische aansluitingen

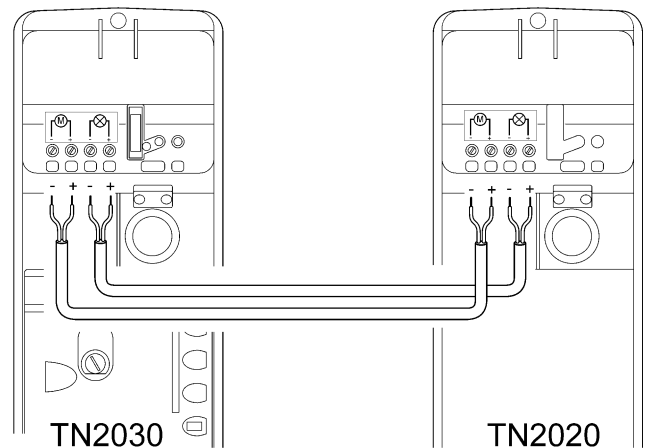
In deze paragraaf vindt u een beknopte beschrijving van de elektrische aansluitingen: zie voor verdere details ook 7.3 "Bijplaatsen of weghalen van inrichtingen"

Nr.	Type klemmetje	Aangesloten dienst of inrichting
	Antene	ingang voor aansluiting van de antenne voor de radio-ontvanger. De antenne is in LUCY B ingebouwd; als alternatief kan er een externe antenne gebruikt worden of het stuk kabel dat als antenne functioneert en reeds op het klemmetje aanwezig is, laten zitten.
1-2	Stap-voor-stap	ingang voor inrichtingen die de manoeuvre aansturen; het is mogelijk contacten van het type "Normaal Open" NO aan te sluiten.
3- 4	Stop	ingang voor inrichtingen die de lopende manoeuvre kunnen blokkeren of eventueel kunnen onderbreken; door het uitvoeren van de juiste handelingen kunt u contacten van het type "Normaal Dicht" NC, type "Normaal Open" NO of inrichtingen met een constante weerstand 8,2KΩ aansluiten. Meer informatie over STOP vindt u in paragraaf "7.3.1 Ingang STOP".
1-5	Foto	Ingang voor veiligheidsinrichtingen zoals de fotocellen. Deze treden tijdens het sluiten in werking en laten de deur teruglopen. Het is mogelijk contacten van het type "Normaal gesloten" NC aan te sluiten. Meer inlichtingen over FOTO vindt u in de paragraaf "7.3.2 Ingang Foto".
4-6	Fototest of elektrisch slot	Telkens wanneer er een manoeuvre van start gaat worden alle veiligheidsinrichtingen gecontroleerd en alleen wanneer de test een gunstig resultaat heeft, gaat de manoeuvre van start. Dit is mogelijk dankzij een bijzondere manier van aansluiten; de zenders van de fotocellen "TX" hebben een aparte stroomvoorziening ten opzichte van de ontvangers "RX". Meer inlichtingen over aansluiting vindt u in de paragraaf "7.3.2 Ingang FOTO" Voor de functie elektrisch slot zie de paragraaf "7.3.3 Elektrisch slot"
7-8	Knipperlicht	het is mogelijk op deze uitgang het knipperlicht van NICE "LUCY B" met een 12V-autolampje van 21W aan te sluiten. Tijdens de manoeuvre knippert dit met een tijdsduur van 0,5s aan en 0,5s uit.

3.5.2) Elektrische aansluiting tweede motor

Als de installatie voorziet in het gebruik van 2 motoren, een TN2030 en een TN2020, dient u de elektrische aansluiting op de tweede motor te verrichten zoals dat hieronder is beschreven.

1. Verricht dezelfde aansluitingen zoals die voorzien zijn voor de installatie op een enkele motor, ook op de reductiemotor.
2. Tussen de besturingseenheid van de TN2030 en het klemmenbord van de TN2020 dient u de kabels "tweede motor" en "gebruikerslicht tweede motor" aan te sluiten zoals dat te zien is (op afbeelding 22), waarbij u de aangegeven polariteit in acht dient te nemen.



22

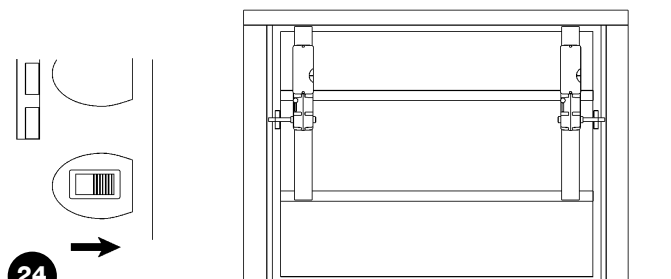
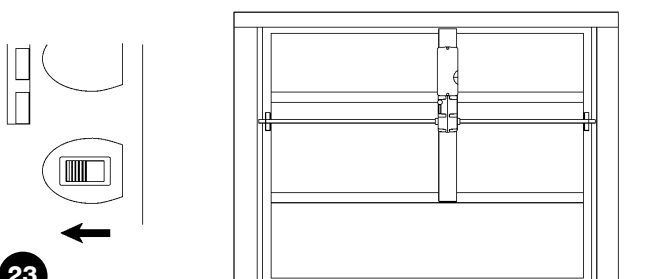
4) Eindcontroles en inbedrijfstelling

Voordat u de eindcontroles en inbedrijfstelling van de automatisering gaat verrichten is het raadzaam de vleugel ongeveer halverwege te plaatsen zodat hij vrijelijk in de sluit- en openingsrichting kan lopen.

4.1) Keuze type installatie

Afhankelijk van het type installatie, dat wil zeggen een installatie met 1 motor of met 2 motoren, dient de keuzeschakelaar op de besturingseenheid afgesteld te worden. Als de installatie voorziet in het gebruik van 1 motor verschuift u de keuzeschakelaar naar links, zoals dat op afbeelding 23 is te zien. Als de installatie voorziet in het gebruik van 2 motoren verschuift u de keuzeschakelaar naar rechts, zoals dat op afbeelding 24 is te zien.

⚠ Gebruik de keuzeschakelaar voor 2 motoren niet, wanneer er maar 1 motor is geïnstalleerd; de motor zal dan niet correct functioneren en het risico bestaat schade aan de motor toe te brengen.



4.2) Aansluiting van de stroomvoorziening

⚠ De aansluiting op de stroomvoorziening van TEN dient door ervaren, deskundig personeel in het bezit van de vereiste kenmerken uitgevoerd te worden onder volledige inachtneming van wetten, voorschriften en reglementen.

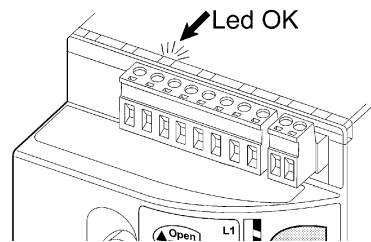
Zodra TEN onder spanning staat, is het raadzaam enkele eenvoudige controles uit te voeren:

1. Controleer dat het ledlampje OK regelmatig knippert met een frequentie van één knippering per seconde (afbeelding 25).

2. Controleer dat het knipperlicht en het gebruikerslicht uit zijn.

Als dit alles niet gebeurt, dient u onmiddellijk de stroomtoevoer naar de besturingseenheid af te sluiten en de elektrische aansluitingen nauwkeuriger te controleren

Andere nuttige informatie voor het zoeken naar en oplossen van storingen vindt u in het hoofdstuk "7.6 Oplossen van problemen".



25

4.3) Herkenning van de openings- en sluitstanden van de deur

Het is noodzakelijk dat de besturingseenheid de standen open en dicht van de deur kan herkennen; in deze fase wordt de afstand die de deur aflegt tussen de mechanische stop sluitpunt tot de eindschakelaar van de openingsstand gemeten. Dit is nodig voor berekening van de punten voor snelheidsafname en het punt van gedeeltelijke opening. Naast deze standen wordt in deze fase de configuratie van de ingang STOP gecontroleerd en in het geheugen opgeslagen en gecontroleerd of de ingang FOTO al dan niet in de modus "Fototest" is aangesloten. (zie paragraaf "7.3.2 Fotocellen") Tijdens deze fase slaat de besturingseenheid bovendien de kracht in haar geheugen op die nodig is voor de openings- en sluitmanoeuvre.

1. Druk op de toetsens [▼] en [Set] en houd die ingedrukt (afbeelding 25).

2. Laat de toetsen los wanneer de manoeuvre van start gaat (na ongeveer 3s).

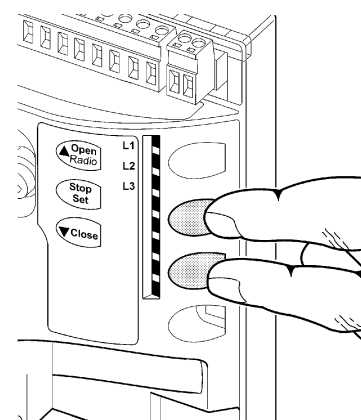
3. Wacht tot de besturingseenheid de herkenningsfase heeft uitgevoerd: sluiting, opening en hersluiting van de deur.

4. Druk op de toets [OPEN] om een complete openingsmanoeuvre uit te voeren.

5. Druk op de toets [CLOSE] om een sluitmanoeuvre uit te voeren.

Indien dit niet allemaal mocht gebeuren dient u onmiddellijk de stroomvoorziening naar de besturingseenheid te onderbreken en de elektrische aansluitingen nog beter te controleren.

Als na afloop van de herkenningsfase de ledlampjes L2 en L3 knipperen, betekent dit dat er een fout is; zie de paragraaf "7.6 Oplossen van problemen". Tijdens deze manoeuvre slaat de besturingseenheid in haar geheugen de kracht op die nodig is voor de openings- en sluitmanoeuvre. De herkenningsfase van de openings- en sluitstanden van de deur en van de configuratie van de ingangen STOP en FOTO kan op elk gewenst moment opnieuw uitgevoerd worden ook na de installatie (bijvoorbeeld als er een nok van de eindschakelaars wordt verplaatst); u doet dit door deze fase vanaf punt 1 opnieuw uit te voeren.



26

4.4) Controle van de beweging van de deur

Na de herkenningsfase van de standen is het raadzaam enkele manoeuvres uit te voeren om te controleren of de deur correct loopt.

1. Druk op de toets [OPEN] om de instructie voor de manoeuvre "Open" te geven; controleer of de sluitmanoeuvre van de deur regelmatig verloopt zonder verandering van snelheid; pas wanneer de deur op een afstand tussen de 15 en 5 cm van de eindschakelaar in de openingsstand verwijderd is, zal de deur langzamer moeten gaan en stoppen als gevolg van de eindschakelaar.

2. Druk op de toets [CLOSE] om de instructie voor de manoeuvre "Sluit" te geven; controleer of de sluitmanoeuvre van de deur langzaam van start gaat zonder verandering van snelheid; pas wanneer de vleugel tussen de 70 en 50 cm van de eindaanslag van de sluitstand verwijderd is, zal hij langzamer moeten gaan lopen en tot stilstand komen als gevolg van de mechanische stop sluitstand.

3. Controleer dat het knipperlicht tijdens de manoeuvre met een frequentie van 0,5s aan en 0,5s uit knippert.

4. Voer meerdere openings- en sluitmanoeuvre's uit om te beoordelen of er eventuele montage- of afstellingsdefecten zijn, of andere onregelmatigheden zijn, zoals punten met een grotere wrijving.

5. Controleer dat de reductiemotor TEN, de armen en de beugels stevig en voldoende duurzaam bevestigd zijn, ook wanneer er zich een plotselinge snelheidstoename of -afname in de beweging van de deur voortdoet.

4.5) Vooraf ingestelde functies

De besturingseenheid van TEN beschikt over enkele programmeerbare functies; in de fabriek worden deze functies in een configuratie afgesteld die voor het merendeel van de automatiseringen optimaal is; in ieder geval kunnen de functies op elk gewenst moment via de juiste programmeringsprocedure gewijzigd worden; raadpleeg hiervoor paragraaf "7.2 Programmeringen".

4.6) Radio-ontvanger

Voor het aansturen op afstand van TEN is er in de besturingseenheid een radio-ontvanger ingebouwd die op een frequentie van 433,92 MHz werkt en met de onderstaande typen zenders compatibel is (Tabel 7):

Omdat het soort codering anders is, bepaalt de zender die als eerste is ingevoerd ook het type zenders dat daarna ingevoerd kan worden. Er kunnen maximaal 160 zenders in het geheugen worden opgeslagen.

Tabel 7: zenders

Codering	Model
FLO	FLO1 - FLO2 - FLO4 VERY VE
FLOR	FLOR1 - FLOR2 - FLOR4 VERY VR ERGO1 - ERGO4 - ERGO6 PLANO1 - PLANO4 - PLANO6 - NICEWAY (de gehele lijn)
SMILO	SM2 - SM4

4.7) Geheugenopslag van de radiozenders

Elke radiozender wordt door de radio-ontvanger herkend via een "code" die bij elke andere zender anders is. Er is dus een fase van "geheugenopslag" nodig waardoor de ontvanger in staat zal zijn elke afzonderlijke zender te herkennen; de zenders kunnen op 2 manieren in het geheugen van de ontvanger opgeslagen worden:

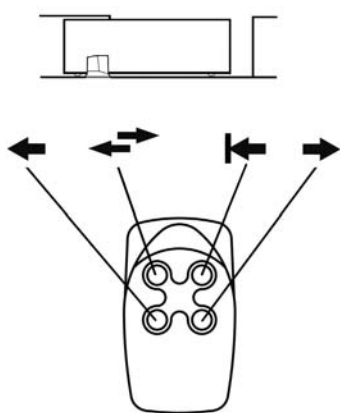
Tabel 8: geheugenopslag Modus I

Toets T1	Instructie "PP"
Toets T2	Instructie "Voetgangersonpening"
Toets T3	Instructie "Open"
Toets T4	Instructie "Sluit"

N.B.: de zenders met 1 kanaal beschikken alleen over de toets T1, de zenders met twee kanalen beschikken alleen over de toetsen T1 en T2.

Modus I: in deze modus is de functie van de toetsen van de zender reeds gedefinieerd en is er aan elke toets in de besturingseenheid de instructie gekoppeld zoals die in tabel 8 is weergegeven; er vindt één enkele opslagfase voor elke zender plaats waarvan alle toetsen worden opgeslagen; tijdens deze fase is het niet van belang op welke toets u drukt en wordt er slechts één plaats in het geheugen ingenomen.

In **Modus I** kan een zender gewoonlijk slechts één enkele automatisering aansturen, zie bijvoorbeeld afb. 27.

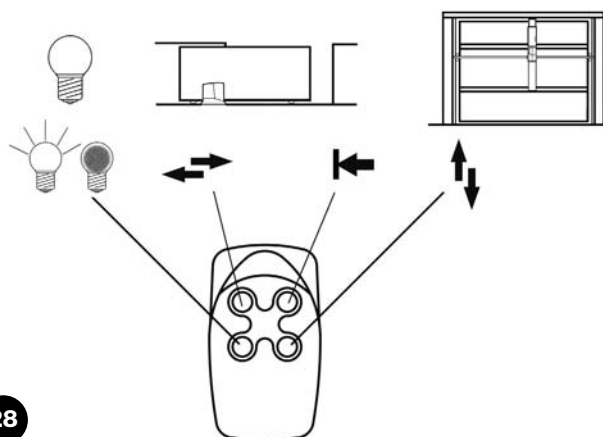


27

Tabel 9: beschikbare instructies bij Modus II

Instructie 1	"PP"
Instructie 2	"Voetgangersonpening"
Instructie 3	"Open"
Instructie 4	"Sluit"

Modus II: in deze modus kan elke afzonderlijke toets van een zender aan één van de 4 mogelijke instructies van de besturingseenheid zoals die in tabel 9 weergegeven zijn, gekoppeld worden; per fase wordt slechts één toets in het geheugen opgenomen en wel die waarop u tijdens de geheugenopslag drukt. In het geheugen wordt één plaats voor elke in het geheugen opgeslagen toets ingenomen. In **Modus II** kan een zender met meerdere toetsen meerdere automatiseringen aansturen: zie afb. 28.

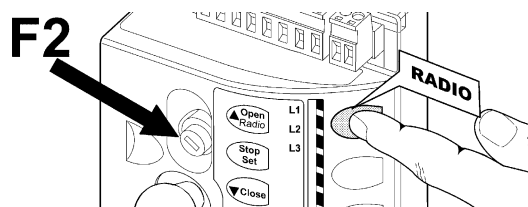


28

⚠ Omdat de procedures voor geheugenopslag een tijdlimiet van 10 s kennen, moet u eerst de aanwijzingen in de volgende paragraaf doorlezen en daarna tot uitvoering daarvan overgaan.

⚠ De geheugenopslag en het wissen van de zenders moet plaatsvinden binnen 10 seconden nadat u de stroom hebt ingeschakeld. In dit tijdsbestek is de toets [▲/OPEN/RADIO] op de besturingseenheid bestemd voor geheugenopslag en wissen van de zenders. Nadat er 10 seconden verstreken zijn na de laatste knippering van de led L1 of nadat er voor de laatste maal op een toets is gedrukt, is de toets bestemd voor de bedienings- [OPEN] en programmeerfuncties [▲]. Om het einde van het tijdsbestek voor geheugenopslag van de zenders aan te geven knippert het gebruikerslicht 1 maal.

4.7.1) Geheugenopslag modus I



29




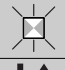


Tabel 10: voor het opslaan van een zender in modus I

	Voorbeeld
1. Schakel TEN uit en na tenminste 3 seconden weer aan (bij voorbeeld door F2 te verwijderen) (afbeelding 29)	OFF → 3s → ON
2. Druk binnen 10 s na inschakeling op de toets RADIO op de besturingseenheid en houd die (tenminste 4s) ingedrukt (afbeelding 29)	▲ 4s
3. Laat de toets los wanneer het ledlampje "radio" L1 gaat branden	L1 (glowing) ▲
4. Druk binnen 10s tenminste 3s lang op een willekeurige toets van de te bewaren zender	▲ 3s
5. Als de geheugenopslag tot een goed einde is gekomen zal het ledlampje op de besturingseenheid 3 maal gaan knipperen.	▲ x3

Indien er nog meer afstandbedieningen opgeslagen moeten worden, dient u nogmaals stap 4 binnen 10s uit te voeren.

De opslagfase wordt beëindigd, als er binnen 10 seconden geen nieuwe codes ontvangen worden.

4.7.2) Geheugenopslag modus II

Tabel 11: voor het opslaan van een toets op een zender in modus II		Voorbeeld
1.	Schakel TEN uit en na tenminste 3 seconden weer aan (bij voorbeeld door F2 te verwijderen)	 3s 
2.	Druk zoveel maal op het knopje op de toets RADIO op de besturingseenheid als overeenkomt met het nummer van de gewenste instructie zoals blijkt uit tabel 9 (1=Stap-voor-Stap; 2=Gedeeltelijke opening; 3=Open; 4=Sluit)	 1...4
3.	Controleer dat het ledlampje radio op de besturingseenheid zoveel maal knippert (herhaling na een korte pauze) als het nummer van de gewenste instructie	 1...4
4.	Druk binnen 10s tenminste 3s op de gewenste toets van de in het geheugen te bewaren zender	 3s
5.	Als de geheugenopslag tot een goed einde is gekomen zal het ledlampje op de ontvanger 3 maal knipperen	 x3

Indien er voor dezelfde instructie nog meer zenders opgeslagen moeten worden, dient u punt 3 binnen nog eens 10 s te herhalen. De opslagfase wordt beëindigd, als er binnen 10 seconden geen nieuwe te bewaren zenders worden ontvangen.



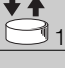



4.7.3) Geheugenopslag "dichtbij de ontvanger"

U kunt een nieuwe radiozender in het geheugen opslaan zonder rechtstreeks op het knopje van de ontvanger te drukken. U dient dan over een functionerende afstandsbediening te beschikken, die reeds in het geheugen is opgeslagen. De nieuwe zender zal met dezelfde kenmerken in het geheugen worden opgeslagen als die welke reeds is opgeslagen. Als de eerste zender in modus I opgeslagen is, wordt dus ook de nieuwe in modus I opgeslagen en kunt u dus op een willekeurige toets van de zenders drukken.

Als de reeds functionerende zender daarentegen in modus II opgeslagen is, zal ook de nieuwe in modus II worden opgeslagen en is het van belang dat u bij de eerste zender op de toets drukt welke



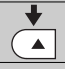
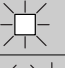


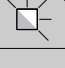
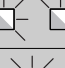



aan de gewenste instructie gekoppeld is, en bij de tweede zender op de toets welke u aan die instructie wilt koppelen.

⚠ Geheugenopslag "dichtbij de ontvanger" kan plaats vinden in alle ontvangers welke zich binnen het bereik van de reeds opgeslagen zender bevinden; het is dus van belang dat alleen die besturingseenheid onder spanning staat welke geprogrammeerd moet worden.

Tabel 12: voor het opslaan van een zender "dichtbij de ontvanger"		Voorbeeld
1.	Ga met de twee zenders dichtbij de ontvanger staan en voer de volgende stappen uit:	
2.	Druk tenminste 5s op de toets van de nieuwe radiozender en laat hem dan weer los.	 5s 
3.	Druk 3 keer langzaam op de toets van de reeds in het geheugen bewaarde radiozender	 1s  1s  1s
4.	Druk 1 keer langzaam op de toets van de nieuwe radiozender.	 1s

Nu zal de nieuwe radiozender door de ontvanger herkend worden en zal hij de kenmerken overnemen die de reeds in het geheugen bewaarde zender had. Indien er nog andere zenders opgeslagen moeten worden, dient u alle stappen voor elke nieuwe zender te herhalen.

4.7.4) Wissen van de radiozenders

Tabel 13: voor het wissen van alle zenders		Voorbeeld
1.	Schakel TEN uit en na tenminste 3 seconden weer aan (bij voorbeeld door F2 te verwijderen)	 3s 
2.	Druk binnen 10 s na inschakeling op de toets RADIO op de besturingseenheid en houd die ingedrukt	
3.	Wacht dat het ledlampje radio gaat branden, wacht vervolgens dat het uit gaat en wacht dan dat het 3 maal knippert	   x3
4.	Laat de toets RADIO los precies wanneer het ledlampje voor de 3de maal knippert	   
5.	Als de procedure tot een goed einde is gekomen, zal het ledlampje na enige ogenblikken 5 maal knipperen.	 x5

5) Eindtest en inbedrijfstelling

Dit is de belangrijkste fase bij de aanleg van de automatisering ten einde een zo groot mogelijke veiligheid te garanderen. De eindtest kan ook als periodieke controle voor de verschillende inrichtingen van de automatisering gebruikt worden.

⚠ De eindtest van de gehele installatie moet door vakbekwaam en deskundig personeel uitgevoerd worden. Dat moet ook bepalen welke tests in functie van de bestaande risico's noodzakelijk zijn en controleren of de wettelijke voorschriften, regelgeving en regels en met name alle vereisten van norm EN 12445, die de testmethodes voor de controle van automatiseringen voor poorten en deuren bepaalt, in acht zijn genomen.

5.1) Eindtest

Voor elk afzonderlijk onderdeel van het automatisme, zoals bijvoorbeeld contactlijsten, fotocellen, noodstop, etc. is een specifieke fase in de eindtest vereist; voor deze inrichtingen zullen de procedures uit de desbetreffende handleidingen met aanwijzingen gevolgd moeten worden. Voor de eindtest van TEN dient u onderstaande reeks handelingen uit te voeren:

1. Controleer dat alle voorschriften vervat in hoofdstuk 1 "Aanbevelingen" nauwkeurig in acht genomen worden.
2. Ontgrendel de deur door de ontgrendelingsgreep van elke motor tegen de wijzers van de klok in te draaien (afbeelding 48); controleer of het mogelijk is de deur zowel in openings- als sluitrichting handmatig te verplaatsen met een kracht van niet meer dan 225N waarbij u dit doet op het punt dat voor de handmatige manoeuvre bestemd is.
3. Vergrendel de motoren aan de deur door de ontgrendelingsgreep met de wijzers van de klok mee te draaien (afbeelding 49)
4. Voer met behulp van de bedienings- of uitschakelingsorganen (sleutelschakelaar, bedieningstoetsen of radiozenders), tests voor het doen sluiten, openen en stoppen van de deur uit en verifieer of de manoeuvre uitgevoerd wordt zoals dat voorzien is.
5. Het is raadzaam meerdere tests uit te voeren om te beoordelen of de deur soepel loopt en er eventuele montage- of afstellingsdefecten zijn, of bijzondere wrijvingspunten.

6. Controleer één voor één of alle veiligheidsinrichtingen in de installatie (focellen, contactlijsten, noodstop, etc.) goed werken; met name of het ledlampje OK op de besturingseenheid telkens wanneer een van deze inrichtingen in werking treedt, 2 maal snel knippert ter bevestiging van het feit dat de besturingseenheid de gebeurtenis herkent.
7. Om te controleren of de fotocellen goed werken en met name of er geen interferenties met andere inrichtingen zijn, voert u een 30 cm lange cilinder met een diameter van 5 cm op de optische as, eerst dichtbij de TX, vervolgens dichtbij de RX en tenslotte in het midden van die twee. Ga dan na of de inrichting in alle gevallen in werking treedt en van de actieve status op de alarmstatus overgaat, en omgekeerd. Tenslotte controleert u of dat de voorziene reactie in de besturingseenheid oproept, bijvoorbeeld of bij de sluitmanoeuvre deze niet wordt uitgevoerd.
8. Als gevaarlijke situaties welke door de beweging van de vleugel opgeheven zijn door middel van beperking van de stootkracht, dient u deze kracht te meten volgens de voorschriften van de norm EN 12445. Als afstelling van de "Snelheid" en de aansturing van het "Motorkracht" gebruikt worden als hulpmiddel voor het systeem om de stootkracht terug te brengen, probeer dan die instelling te vinden, welke de beste resultaten oplevert.

5.2) Inbedrijfstelling

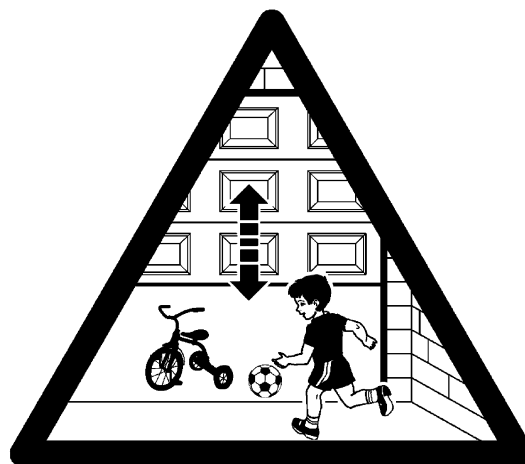
Inbedrijfstelling kan alleen plaatsvinden nadat alle fasen van de eindtest van TEN en de andere aanwezige inrichtingen met succes zijn afgesloten. Gedeeltelijke inbedrijfstelling of inbedrijfstelling in "tijdelijke" situaties is niet toegestaan.

1. Maak een technisch dossier van de automatisering en bewaar dat tenminste 10 jaar, dat tenminste bestaat uit: de overzichtstekening van de automatisering, het elektrisch bedradingsschema, een analyse van de risico's en de toegepaste oplossing daarvoor, de conformiteitsverklaringen van alle fabrikanten voor alle gebruikte inrichtingen (gebruik voor TEN de bijgevoegde EG-Verklaring van overeenstemming); kopie van de gebruiksaanwijzingen en het onderhoudsplan van de automatisering.
2. Breng een plaatje op de deur aan met daarop tenminste de volgende gegevens: type automatisering, naam en adres van de fabrikant (verantwoordelijk voor de "inbedrijfstelling"), serienummer, bouwjaar en "CE"-keurmerk.
3. Breng op de deur een niet te verwijderen etiket of plaatje aan waarop de handelingen zijn aangegeven voor het ontgrendelen en handmatig bewegen van de deur
4. Breng op de deur een niet te verwijderen etiket of plaatje aan met daarop deze afbeelding (minimale hoogte 60 mm). (afbeelding 30)
5. Stel de verklaring van overeenstemming voor de automatisering op en geef ze aan de eigenaar van de automatisering.
6. Maak de handleiding "Aanwijzingen en aanbevelingen voor het

gebruik van de automatisering" en geef die aan de eigenaar van de automatisering.

7. Stel een onderhoudsplan (met daarin de voorschriften voor het onderhoud van alle inrichtingen van de automatisering) op en geef dit aan de eigenaar van de automatisering.
8. Informeer vóór de inbedrijfstelling van de automatisering de eigenaar uitvoerig en schriftelijk (bijvoorbeeld in de handleiding met aanwijzingen en aanbevelingen voor het gebruik van de automatisering) over de nog aanwezige gevaren en risico's..

30



6) Onderhoud en afvalverwerking

In dit hoofdstuk vindt u de benodigde informatie voor uitvoering van het onderhoudsplan en de afvalverwerking van TEN.

6.1) Onderhoud

Om de veiligheid op een constant niveau te houden en een zo lang mogelijke levensduur van de gehele automatisering te waarborgen is regelmatig onderhoud vereist.

⚠ Het onderhoud moet uitgevoerd worden met volledige inachtneming van de veiligheidsvoorschriften van deze handleiding en volgens de van kracht zijnde wettelijke voorschriften en regelgeving.

Volg voor de andere inrichtingen die niet tot de TEN behoren de aanwijzingen van het desbetreffende onderhoudsplan daarvoor op.

1. Voor TEN is een geprogrammeerde onderhoudsbeurt vereist die op zijn minst binnen 6 maanden of 4.000 manoeuvres na de vorige onderhoudsbeurt uitgevoerd moet worden:
2. Koppel alle bronnen van elektrische stroomvoorziening los.
3. Controleer alle materialen waaruit de automatisering bestaat op kwaliteitsvermindering en let daarbij vooral op aantasting of roestvorming van de structurele delen; vervang die delen welke onvoldoende garantie bieden.
4. Controleer de staat van slijtage van alle bewegende delen: telescooparmen, kabels van de tegengewichten en alle delen van de vleugel; vervang de versleten onderdelen.
5. Sluit de elektrische stroomvoorziening weer aan en voer alle test en controles uit zoals die in paragraaf "5.1 Eindtest" voorzien zijn.

6.2) Afvalverwerking

Wanneer de levensduur van dit product ten einde is, dienen, zoals dit ook bij de installatiewerkzaamheden het geval is, de ontmantelingswerkzaamheden door gekwalificeerd personeel uitgevoerd te worden. Dit product bestaat uit verschillende soorten materiaal, waarvan sommige hergebruikt kunnen worden. Win inlichtingen over de methoden van hergebruik of afvalverwerking in zoals die voor dit soort producten in de plaatselijke regelgeving voorzien zijn.

⚠ Sommige delen van dit product zouden vervuilende of gevaarlijke stoffen kunnen bevatten. Als die in het milieu worden achtergelaten zouden ze schadelijke gevolgen voor het milieu of de gezondheid ten gevolge kunnen hebben.

Zoals u kunt zien aan het symbool op afbeelding 31 is het verboden dit product met het gewone huisvuil weg te gooien. Scheid uw afval voor verwerking op een manier zoals die in de plaatselijke regelgeving

voorzien is; of lever het product bij uw leverancier in wanneer u een nieuw gelijksoortig product koopt.

31



De plaatselijke regelgeving kan in zware straffen voorzien in geval van illegale dumping van dit product.

1. Koppel de elektrische stroomvoorziening voor de automatisering los.
2. Demonteer alle inrichtingen en accessoires, waarbij u de procedure in omgekeerde volgorde volgt ten opzichte van die welke in hoofdstuk "3 Installatie" is beschreven.
3. Verzamel voor zover mogelijk die onderdelen die hergebruikt of verwerkt kunnen of moeten worden, zoals bijvoorbeeld de metalen delen van de kunststof delen, elektronische kaarten, batterijen, etc.
4. Sorteer de diverse elektrische en recycleerbare materialen en geef deze aan bedrijven die zich met het hergebruik en de afvalverwerking daarvan bezighouden.

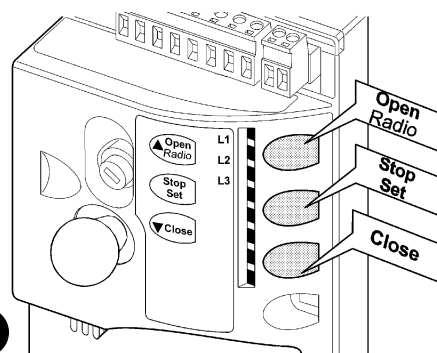
7) Nadere details

In dit hoofdstuk worden de mogelijkheden ten aanzien van programmering, aanpassing aan de persoonlijke behoeften van de gebruiker, diagnostiek en opsporing van storingen met betrekking tot TEN behandeld

7.1) Programmeertoetsen

Op de besturingseenheid van TEN bevinden zich 3 toetsen die gebruikt kunnen worden zowel om de besturingseenheid tijdens de tests aan te sturen als voor het programmeren:

▲ OPEN RADIO	Met de toets "RADIO" kunt u binnen de eerste 10 seconden na inschakeling de met TEN te gebruiken radiozenders in het geheugen opnemen en daaruit verwijderen. Na dit tijdsbestek heeft de toets de functie "OPEN" zodat u daarmee de deur open kunt laten gaan; of het punt van programmering naar boven verplaatsen.
STOP SET	Met de toets "STOP" kunt u de manoeuvre onderbreken; indien u er langer dan 5 seconden op drukt kunt u de programmering binnenkomen.
▼ CLOSE	Met de toets "CLOSE" kunt u de deur laten sluiten; of het punt van programmering naar beneden verplaatsen.



32

⚠ Tijdens de manoeuvre, zowel de openings- als sluitmanoeuvre, hebben alle toetsen de functie STOP en kunnen zij de loop van de motor onderbreken.

7.2) Programmeringen

Op de besturingseenheid van TEN zijn enkele programmeerbare functies beschikbaar; instelling van deze functies vindt plaats met behulp van 3 toetsen op de besturingseenheid: [▲] [▼] en [Set] en worden via 3 ledlampjes: L1, L2, L3 zichtbaar gemaakt.

De programmeerbare functies welke op TEN beschikbaar zijn, zijn over 2 niveaus verdeeld:

Eerste niveau: functies instelbaar in modus ON-OFF (actief of niet actief); in dit geval geven de ledlampjes L1, L2 en L3 een functie aan; als het aan is, is de functie actief, als het uit is, is de functie niet actief; zie tabel 14.

Tweede niveau: parameters die afstelbaar zijn op een schaal met waarden van 1 tot 3); in dit geval geeft elk ledlampje L1, L2 en L3 de waarde aan die uit 3 mogelijkheden is gekozen; zie tabel 16.

7.2.1) Functies eerste niveau (functies ON-OFF)

Tabel 14: lijst programmeerbare functies: eerste niveau


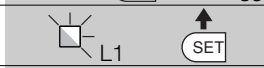

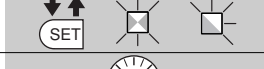

Nr.	Beschrijving	Voorbeeld
L1	Snelheid sluiting	Met deze functie kunt u voor de sluitmanoeuvre uit 2 motorsnelheden kiezen: "snel", "langzaam". Als de functie niet geactiveerd wordt, is de ingestelde snelheid "langzaam".
L2	Snelheid opening	Met deze functie kunt u voor de openingsmanoeuvre uit 2 motorsnelheden kiezen: "snel", "langzaam". Als de functie niet geactiveerd wordt, is de ingestelde snelheid "langzaam".
L3	Automatische sluiting	Met deze functie is een automatische sluiting van de deur mogelijk na afloop van de geprogrammeerde pauzeduur; in de fabriek is de Pauzeduur afgesteld op 30 seconden maar dit kan gewijzigd worden in 15 of 60 seconden (zie tabel 16). Als de functie niet actief is, werkt de deur "semi-automatisch".

Bij normaal functioneren van TEN zijn de ledlampjes L1, L2 en L3 aan of uit op basis van de status van de functie waaraan zij gekoppeld zijn, bijvoorbeeld L3 is aan, als de functie "Automatisch sluiten" actief is. L1 is het ledlampje dat de status van de "radio" in de eerste 10 van inschakeling aangeeft.

N.B.: als de motorsnelheid op "snel" wordt ingesteld bij de opening en sluiting en de motorkracht op "groot", wordt de vertraging uitgeschakeld (met uitsluiting van de snelheidsafname bij sluiting vlakbij de aanslag).

7.2.2 Programmering eerste niveau (functies ON-OFF)

In de fabriek worden alle functies van het eerste niveau op "OFF" gezet, maar dat kan op elk gewenst moment veranderd worden zoals in tabel 15 is aangegeven. Let bij het uitvoeren van deze procedure goed op, want er is een tijdlimiet van 10s tussen het moment waarop u op de ene toets en vervolgens op de andere drukt; wanneer deze limiet overschreven wordt, zal de procedure automatisch beëindigd worden waarbij de wijzigingen die tot dat moment aangebracht zijn, in het geheugen worden opgeslagen.

Tabel 15: voor het wijzigen van de functies ON-OFF		Voorbeeld
1.	Druk op de toets [Set] en houd die ongeveer 3s ingedrukt	
2.	Laat de toets [Set] los wanneer het ledlampje L1 begint te knipperen	
3.	Druk op de toetsen [▲] of [▼] om het knipperende ledlampje te verplaatsen op het ledlampje dat de te wijzigen functie vertegenwoordigt	
4.	Druk op de toets [Set] om de status van de functie te wijzigen (kort knipperen = OFF; lang knipperen = ON)	
5.	Wacht 10s om de programmering wegens het verstrijken van de maximale tijdsduur te verlaten	

N.B.: de punten 3 en 4 kunnen tijdens dezelfde programmeringsfase herhaald worden om andere functies op ON of OFF te zetten

7.2.3 Functies tweede niveau (instelbare parameters)

Tabel 16: lijst programmeerbare functies: tweede niveau				
Ledlampje van ingang	Parameter	Ledlampje (niveau)	waarde	Beschrijving
L1	Motorkracht	L1	Laag	Met deze functie kunt u de gevoeligheid van de aansturing van de kracht van de motor kiezen om deze aan het type deur aan te passen. De afstelling "Hoog" is meer voor grotere en zwaardere deuren geschikt.
		L2	Gemiddeld	
		L3	Hoog*	
L2	Functie P.P.	L1	Open - stop - sluit - stop	Stelt de reeks instructies af die gekoppeld zijn aan de ingang P.P. of aan de eerste radioinstructie (zie tabellen 7 en 8).
		L2	Open - stop - sluit - stop	
		L3	Woonblok	
L3	Pauzeduur	L1	15 seconden	Stelt de pauzeduur af, dat wil zeggen de tijd die er verstrijkt voordat de deur weer automatisch dicht gaat. Dit werkt alleen als de functie automatisch sluiten actief is
		L2	30 seconden	
		L3	60 seconden	

N.B.: "■" dit geeft de fabrieksinstelling weer * als de motorsnelheid op "snel" wordt ingesteld bij de opening en sluiting en de motorkracht op "groot", wordt de vertraging uitgeschakeld (met uitsluiting van de snelheidsafname bij sluiting vlakbij de aanslag).

Alle parameters kunnen naar believen zonder enige contra-indicatie worden afgesteld; alleen het afstellen van de "Motorkracht" zou enige nadere aandacht kunnen vereisen:

- Het is ten sterkste af te raden hoge krachtwaarden te gebruiken om het feit te compenseren dat de vleugel punten met een hoge wrijvingswaarde heeft; een te grote kracht kan afbreuk doen aan de werking van het veiligheidssysteem of schade aan de vleugel toebrengen.

- Als de controle van de "motorkracht" gebruikt wordt als hulpmiddel voor het systeem de stootkracht bij botsing te beperken dient na elke afstelling de kracht opnieuw gemeten te worden, zoals de norm EN 12445 dat voorschrijft.
- Slijtage en weersinvloeden zijn van invloed op de manoeuvre van de deur; zo af en toe dient de afstelling van de kracht opnieuw gecontroleerd te worden.

7.2.4 Programmering tweede niveau (instelbare parameters)

In de fabriek worden alle instelbare parameterfuncties ingesteld zoals in tabel 16 wordt aangegeven met: "■" maar die kunnen op elk gewenst moment worden gewijzigd zoals in tabel 17 is aangegeven. Let bij het uitvoeren van deze procedure goed op, want er is een tijdlimiet van 10s tussen het moment waarop u op de ene toets en vervolgens op de andere drukt; wanneer deze limiet overschreven wordt zal de procedure automatisch beëindigd worden waarbij de wijzigingen die tot dat moment aangebracht zijn, in het geheugen worden opgeslagen.





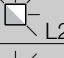





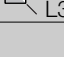

Tabel 17: voor het wijzigen van instelbare parameters		Voorbeeld
1.	Druk op de toets [Set] en houd die ongeveer 3s ingedrukt	
2.	Laat de toets [Set] los wanneer het ledlampje L1 begint te knipperen	
3.	Druk op de toetsen [▲] of [▼] om het knipperende ledlampje te verplaatsen op het "ledlampje ingang" dat de te wijzigen parameter vertegenwoordigt	
4.	Druk op de toets [Set] en houd die ingedrukt; de toets [Set] dient tijdens de stappen 5 en 6 voortdurend ingedrukt te blijven	
5.	Wacht ongeveer 3s waarna dat ledlampje zal gaan branden dat het actuele niveau van de te wijzigen parameter vertegenwoordigt	
6.	Druk op de toetsen [▲] of [▼] om het ledlampje dat de waarde van de parameter vertegenwoordigt, te verplaatsen.	
7.	Laat de toets [Set] los	
8.	Wacht 10s om de programmering wegens het verstrijken van de maximale tijdsduur te verlaten.	

N.B.: de punten 3 tot 7 kunnen tijdens dezelfde programmeringsfase herhaald worden om nog meer parameters in te stellen.



7.2.5) Voorbeeld van programmering eerste niveau (functies ON-OFF)









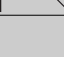



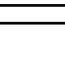
Als voorbeeld wordt de reeks handelingen gegeven die noodzakelijk is voor het wijzigen van de fabrieksinstelling van de functies voor het activeren van de functies "Hoge Snelheid opening" (L2) en "Automatisch Sluiten" (L3).

Tabel 18: voorbeeld van programmering eerste niveau	Voorbeeld
1. Druk op de toets [Set] en houd die ongeveer 3s ingedrukt	 3s
2. Laat de toets [Set] los wanneer het ledlampje L1 begint te knipperen	 L1 
3. Druk 1 maal op de toets [▼] om het knipperende ledlampje te verplaatsen op het ledlampje L2	 
4. Druk één maal op de toets [Set] om de status van de aan L2 (Snelheid opening) gekoppelde functie te wijzigen; nu knippert de led L2 met langdurige knippering	 
5. Druk 1 maal op de toets [▼] om het knipperende ledje te verplaatsen naar de led L3	 
6. Druk 1 maal op de toets [Set] om de status van de aan L3 (Automatische sluiting) gekoppelde functie te wijzigen; nu knippert de led L3 met langdurige knippering	 
7. Wacht 10s om de programmering wegens het verstrijken van de maximale tijdsduur te verlaten	 10s

Na afloop van deze handelingen moeten de leds L2 en L3 blijven branden om aan te geven dat de functies "Snelheid opening Hoog" en "Automatische sluiting" actief zijn.

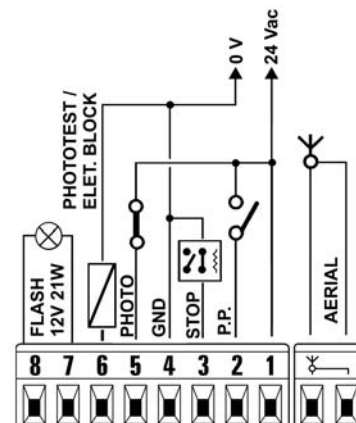
7.2.6) Voorbeeld van programmering tweede niveau (instelbare parameters)

Als voorbeeld wordt de reeks handelingen gegeven die noodzakelijk is voor het wijzigen van de fabrieksinstelling van de parameters en het afstellen van de "Motorkracht" op hoog (ingang op L1 een niveau op L3) en het verlengen van de "Pauzeduur" op 60s (ingang op L3 en niveau op L3).

Tabel 19: voorbeeld van programmering tweede niveau	Voorbeeld
1. Druk op de toets [Set] en houd die ongeveer 3s ingedrukt	 3s
2. Laat de toets [Set] los wanneer het ledlampje L1 begint te knipperen	 L1 
3. Druk op de toets [Set] en houd die ingedrukt; de toets [Set] dient tijdens de stappen 4 en 5 ingedrukt gehouden te worden	
4. Wacht ongeveer 3s tot het ledje L2 gaat branden dat het huidige niveau van de "Motorkracht" vertegenwoordigt	 L2 3s
5. Druk 1 maal op de toets [▼] om het brandende ledje te verplaatsen naar de led L3 die de nieuwe waarde van de "Motorkracht" vertegenwoordigt	 
6. Laat de toets [Set] los	
7. Druk 2 maal op de toets [▼] om het knipperende ledje te verplaatsen naar de led L3	 
8. Druk op de toets [Set] en houd die ingedrukt; de toets [Set] dient tijdens de stappen 9 en 10 ingedrukt gehouden te worden	
9. Wacht ongeveer 3s tot het ledje L2 gaat branden dat het huidige niveau van de "Pauzeduur" vertegenwoordigt	 L2 3s
10. Druk 1 maal op de toets [▼] om het brandende ledje te verplaatsen naar de led L3 die de nieuwe waarde van de "Pauzeduur" vertegenwoordigt	 
11. Laat de toets [Set] los	
12. Wacht 10s om de programmering wegens het verstrijken van de maximale tijdsduur te verlaten.	 10s

7.3) Bijplaatsen of weghalen van inrichtingen

U kunt op elk gewenst moment een inrichting aan een automatisering met TEN toevoegen of er een uit verwijderen. Vooral op de ingangen STOP en FOTO kunnen verschillende soorten inrichtingen aangesloten worden zoals dat in paragraaf "7.3.1 Ingang STOP" en "7.3.2 Fotocellen" is aangegeven. Op afbeelding 33 is het elektrische schema voor de aansluitingen van de verschillende inrichtingen weergegeven.



7.3.1) Ingang STOP

STOP is de ingang die onmiddellijke stilstand van de manoeuvre veroorzaakt (met een kortstondige omkering). Op deze ingang kunnen de inrichtingen met uitgang met normaal open contacten "NO" aangesloten worden, maar ook inrichtingen met normaal gesloten contacten "NC" of inrichtingen met een uitgang met constante weerstand $8,2k\Omega$, zoals bijvoorbeeld de contactlijsten. De besturingseenheid herkent het soort inrichting dat tijdens de herkenningfase op de ingang STOP is aangesloten (zie paragraaf "4.3 Herkennen van de openings- en sluitstanden van de deur"); daarna wordt een STOP veroorzaakt indien er zich een wijziging ten opzichte van de herkende staat voordoet. Door het uitvoeren van de juiste handelingen kunt u op de STOP-ingang meer dan één inrichting aansluiten, ook al zijn die niet van het hetzelfde type:

- Er kunnen meerdere NO-inrichtingen parallel op elkaar aangesloten worden zonder beperking van het aantal daarvan

- Er kunnen meerdere NC-inrichtingen serieel op elkaar aangesloten worden zonder beperking van het aantal daarvan
- Er kunnen meerdere inrichtingen met een uitgang met constante weerstand $8,2k\Omega$ via een "cascadeschakeling" op één enkele eindweerstand van $8,2k\Omega$ aangesloten worden.
- Een combinatie NO en NC is mogelijk door de 2 contacten parallel te schakelen en met contact NC serieel een weerstand van $8,2k\Omega$ te verbinden (en dus is ook de combinatie van de 3 inrichtingen mogelijk: NO, NC en $8,2k\Omega$).

⚠ Indien de ingang STOP gebruikt wordt om inrichtingen met een veiligheidsfunctie aan te sluiten, garanderen alleen die inrichtingen welke een uitgang met een constante weerstand van $8,2k\Omega$ hebben, de veiligheids categorie 3 tegen storingen volgens de norm EN 954-1.

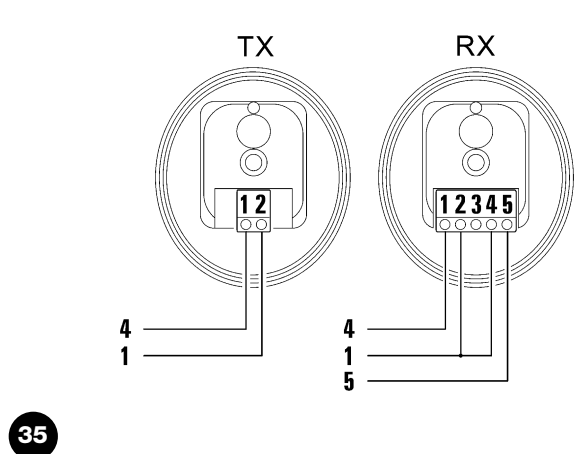
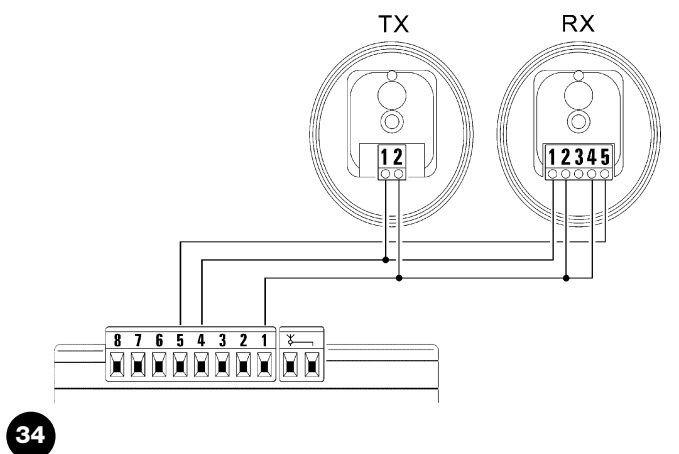
7.3.2) Fotocellen

De besturingseenheid van TEN heeft een functie "Fototest" waarmee de betrouwbaarheid van de veiligheidsinrichtingen vergroot wordt; hierdoor is het mogelijk de "categorie 2" volgens de norm EN 954-1 (uitgave 12/1998) te behalen voor wat betreft het samenstel besturingseenheid en veiligheidsfotocellen. Telkens wanneer er een manoeuvre van start gaat worden de desbetreffende veiligheidsinrichtingen gecontroleerd; alleen als alles in orde is, gaat de manoeuvre ook daadwerkelijk van start.

Als de test daarentegen geen gunstig resultaat heeft (fotocel door de zon verblind, kabels in kortsluiting etc.), wordt de storing geconstateerd en wordt de manoeuvre niet uitgevoerd. Voor de functie "fototest" is er een specifieke aansluiting van de zenders van de fotocellen nodig (zie afb.36 en 37). De besturingseenheid herkent de aansluiting in de modus "fototest" tijdens de herkenningfase (zie paragraaf "4.3 herkenning van de openings- en sluitstanden van de deur").

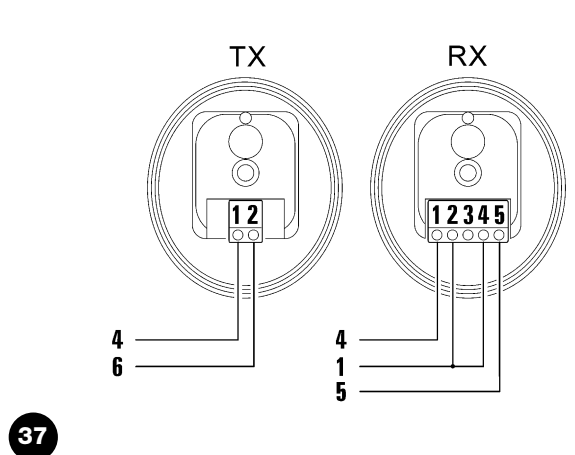
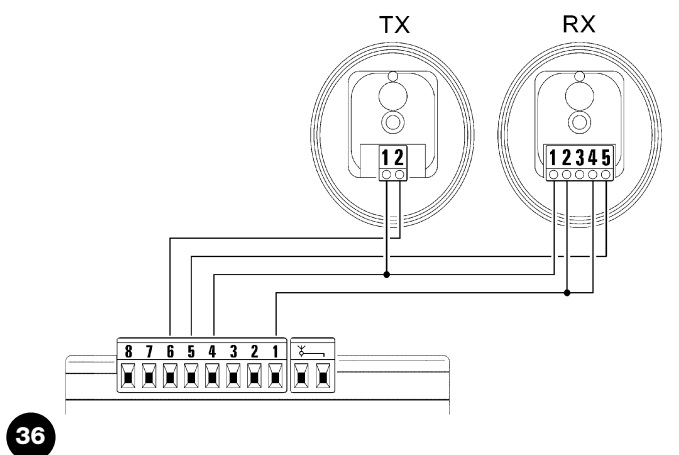
Aansluiting zonder de functie "Fototest" (afbeelding 34 en 35)

Voorzie de ontvangers rechtstreeks vanuit de uitgang neveninrichtingen van de besturingseenheid van stroom (klemmetjes 1 - 4).



Aansluiting met de functie "Fototest" (afbeelding 36 en 37):

De stroom voor de ontvangers wordt rechtstreeks van de uitgang van de neveninrichtingen genomen (klemmetjes 1-4), terwijl die van de zenders van de uitgang "Fototest" tussen de klemmetjes 6 - 4. De maximaal beschikbare stroom op de uitgang "Fototest" is 100mA.

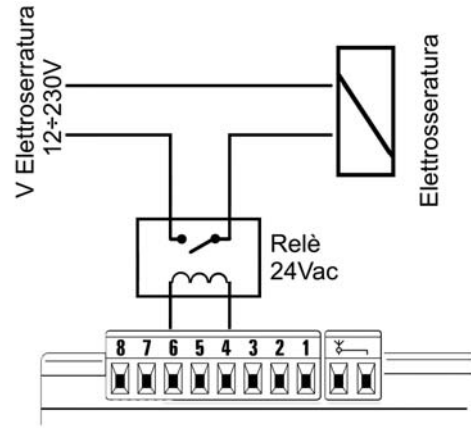


Indien er 2 stellen fotocellen gebruikt worden die elkaar kunnen beïnvloeden, dient u de synchronisering te activeren zoals die in de aanwijzingen voor de fotocellen beschreven is.

7.3.3) Elektrisch slot

In de fabriek is de uitgang "fototest" voor de functie "Fototest" geactiveerd. Als alternatief is het mogelijk in de besturingseenheid van TEN deze uitgang voor het bedienen van een elektrisch slot te programmeren. Bij het starten van een openingsmanoeuvre wordt de uitgang telkens gedurende 2 seconden geactiveerd; zo is het mogelijk een elektrisch slot aan te sluiten. Bij de sluitmanoeuvre wordt de uitgang niet geactiveerd zodat het elektrische slot mechanisch moet kunnen worden teruggesteld.

De uitgang kan het elektrische slot niet rechtstreeks aansturen, maar alleen een belasting van 24Vac - 2W. De uitgang zal als interface een relais moeten hebben, zoals dat te zien is op afbeelding 38.



38

7.3.4) Programmering functie Fototest / Elektrisch slot

In de fabriek is de uitgang op het klemmetje 6 geprogrammeerd met de functie "Fototest" maar dat kan op elk gewenst moment in een elektrisch slot en omgekeerd worden veranderd zoals dat in tabel 20 is aangegeven. Bij deze programmering dient het knipperlicht aangesloten te zijn (of een lamp van 12V 21W max.).

Tabel 20: programmering van de uitgang als Elektrisch slot (en omgekeerd als Fototest)	Voorbeeld
1. Schakel TEN uit (bij voorbeeld door F2 te wegnemen)	OFF
2. Druk op de toets [Set] en houd die ingedrukt	SET
3. Schakel TEN in	ON
4. Houd de toets [Set] ingedrukt en wacht op de start van de besturingseenheid (circa 4s);	SET 4s
5. Als het knipperlicht uit blijft, is de uitgang als fototest geprogrammeerd; als het knipperlicht aan blijft, is de uitgang als elektrische slot geprogrammeerd	Light bulb icons
6. Terwijl u de toets [Set] ingedrukt houdt, drukt u op de toets [▼] en laat hem los (ook meerdere keren). Het knipperlicht gaat dan aan of uit, wat deze betekenis heeft: aan= elektrisch slot uit= fototest	SET, DOWN arrow, Light bulb icons
7. Laat de toets [Set] los	SET

Na de functie "Fototest" te hebben geactiveerd en de aansluitingen van de fotocellen daarvoor te hebben verricht dient u de procedure voor het vaststellen van de hoogten uit te voeren zoals die beschreven is in de paragraaf "4.3 Herkenning van de openings- en sluitstanden van de deur".

7.3.5) Deactivering Variabele gevoeligheid van de obstakeldetectie.

TEN beschikt over een systeem voor obstakeldetectie, dat gebaseerd is op de controle van de belasting van de motor. In de fabriek is de gevoeligheid van dit systeem op variabel ingesteld: grotere gevoeligheid waar de motor weinig belast wordt, kleinere gevoeligheid waar de motor meer belast wordt. Dit met het doel een zo precies mogelijke obstakeldetectie. Er kan een situatie bestaan, bijvoorbeeld in geval van harde windstoten, waarin dit systeem een vals obstakel zou kunnen detecteren. In een dergelijke situatie is het mogelijk de variabele gevoeligheid te deactiveren om dit probleem te verhelpen Tabel 21. Er zijn ook 3 "vaste" niveaus van de motorkracht (zie tabel 16).

Tabel 21: deactiveren van de gevoeligheid obstakeldetectie en omgekeerd	Voorbeeld
1. Schakel TEN uit (bij voorbeeld door F2 te verwijderen)	OFF
2. Druk op de toets [Set] en houd die ingedrukt	SET
3. Schakel TEN in	ON
4. Houd de toets [Set] ingedrukt en wacht op de start van de besturingseenheid (circa 4s);	SET 4s
5. Als het gebruikerslicht uit blijft, is de obstakeldetectie als "variabele gevoeligheid" geprogrammeerd; als het gebruikerslicht aan blijft, is de obstakeldetectie als "vaste gevoeligheid" geprogrammeerd	Light bulb icons
6. Terwijl u de toets [Set] ingedrukt houdt, drukt u op de toets [▲] en laat hem los (ook meerdere keren). Het gebruikerslicht gaat dan aan of uit, wat deze betekenis heeft: aan = vaste (maximale) gevoeligheid uit = variabele gevoeligheid	SET, UP arrow, Light bulb icons
7. Laat de toets [Set] los	SET

Als u de variabele gevoeligheid opnieuw activeert nadat ze gedeactiveerd was, is het raadzaam de procedure voor het vaststellen van de hoogten uit te voeren zoals die beschreven is in de paragraaf "4.3 Herkenning van de openings- en sluitstanden van de deur".

7.3.6) Programmering van de installatierichting van TEN

In de fabriek is TEN geprogrammeerd om recht te worden geïnstalleerd zoals u kunt zien op afbeelding 5. Als het om installatietechnische redenen nodig is hem omgekeerd te monteren, zoals dat op afbeelding 7 te zien is, dient u de besturingseenheid van TEN zo te programmeren als in Tabel 22 is beschreven.

Tabel 22: programmering van de installatierichting van TEN	Voorbeeld
1. Schakel TEN uit (bijvoorbeeld door F2 te verwijderen)	
2. Druk op de toetsen [Stop] en [Close] en houd die ingedrukt	
3. Schakel TEN in	
4. Houd de toetsen [Stop] en [Close] ingedrukt en wacht op de start van de besturingseenheid (circa 4s);	
5. Als de leds P1, P2 e P3 uit zijn, is TEN geprogrammeerd om recht geïnstalleerd te worden zoals op afbeelding 5; als de ledjes aan zijn is TEN geprogrammeerd om omgekeerd geïnstalleerd te worden, zoals op afbeelding 7 te zien is	
6. Terwijl u de toets [Stop] en [Close] ingedrukt houdt, drukt u op de toets [Open] en laat hem los (ook meerdere keren). De leds P1, P2 e P3 gaan dan aan of uit, wat deze betekenis heeft: aan = installatie omgekeerd (afbeelding 7) uit = installatie recht (afbeelding 5)	
7. Laat de toetsen [Stop] en [Close] los	

Let op: als de installatie omgekeerd plaatsvindt, zullen de toetsen Open en Close bij normale werking een omgekeerde werking hebben ten opzichte van wat op het etiket op de besturingseenheid staat.

7.4) Bijzondere functies

7.4.1) Functie "Open altijd"

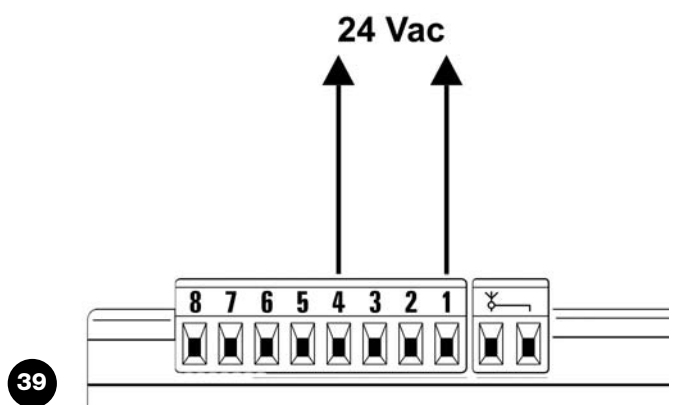
De functie "Open Altijd" is een eigenschap van de besturingseenheid waardoor het mogelijk is altijd een openingsmanoeuvre aan te sturen wanneer de instructie "Stap-voor-Stap" langer dan 3 seconden duurt; dit is vooral nuttig bij het aansluiten van het contact van een tijdschakelklok op het klemmetje PP om de deur tijdens een bepaald tijdsbestek open te houden. Deze eigenschap is geldig ongeacht de programmering van de ingang PP, (zie parameter "Functie PP" in tabel 16).

7.4.2) Functie "Beweeg in ieder geval"

Mocht de een of andere veiligheidsinrichting niet correct werken of buiten gebruik zijn, dan is het toch mogelijk de deur in de modus "Iemand aanwezig" aan te sturen en te manoeuvreren. Zie voor de details de paragraaf "Bediening terwijl de veiligheidsinrichtingen buiten gebruik zijn" in de bijlage "Aanwijzingen en aanbevelingen bestemd voor de gebruiker van de reductiemotor TEN".

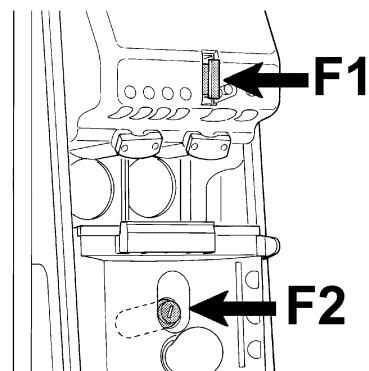
7.5) Aansluiting andere inrichtingen

Mocht het nodig zijn externe inrichtingen zoals bijvoorbeeld een lezer voor transponderkaarten of het lampje van de verlichting van de sleutelschakelaar van stroom te voorzien, dan kunt u de stroom aansluiten zoals op afbeelding 39 te zien is. De spanning van de stroomtoevoer is 24Vcc (-30% +50%) met maximale beschikbare stroom van 100mA.



7.6) Oplossen van problemen

In tabel 23 kunt u nuttige aanwijzingen vinden om eventuele storingen te verhelpen die u tijdens de installatie of bij een eventueel defect tegen kunt komen



40

Tabel 23: opsporen van storingen

Symptomen	Mogelijke oorzaak en eventuele remedie
De radiozender stuurt de deur niet aan en het ledlampje op de zender gaat niet branden	Controleer of de batterijen van de zender leeg zijn; vervang ze zo nodig.
De radiozender stuurt de deur niet aan, maar het ledlampje op de zender gaat branden.	Controleer of de zender correct in het geheugen van de radio-ontvanger is opgeslagen. Controleer of het radiosignaal van de zendercorrect wordt uitgezonden; u gaat hiervoor empirisch te werk: druk op een toets en plaats het ledlampje op de antenne van een gewoon radiotoestel (het beste is een goedkoop toestel) dat aan staat en afgestemd is op de FM-band op de frequentie van 108,5Mhz of zo dicht mogelijk daarbij; nu zou u een zacht krakend geluid moeten horen.
Er wordt geen enkele manoeuvre aangestuurd en het ledlampje OK knippert niet	Controleer of de stroomvoorziening naar de TEN van de elektriciteitsleiding een spanning van 230V heeft. Vergewis u ervan dat de zekeringen F1 en F2 niet onderbroken zijn; zo ja, dan dient u de oorzaak van de storing op te sporen en ze met andere met dezelfde stroomwaarde en kenmerken te vervangen (afbeelding 40).
Er wordt geen enkele manoeuvre aangestuurd en het knipperlicht knippert niet	Controleer of de instructie daadwerkelijk ontvangen is. Als de instructie de ingang PP bereikt, moet het ledlampje tweemaal knipperen om aan te geven dat de instructie ontvangen is.
De manoeuvre gaat niet van start en het knipperlicht knippert enkele malen	Tel het aantal malen dat dat licht knippert en controleer aan de hand van de gegevens in tabel 24.
De manoeuvre gaat van start, maar onmiddellijk daarna vindt er een korte terugloop plaats	De geselecteerde kracht zou te klein kunnen zijn om de deur te laten bewegen. Controleer of er geen obstakels zijn en selecteer eventueel een grotere kracht.

7.7) Diagnostiek en signaleringen

Sommige inrichtingen geven zelf al speciale signaleringen waardoor het mogelijk is de bedrijfsstatus of eventuele storing te herkennen.

7.7.1) Signaleringen met het knipperlicht

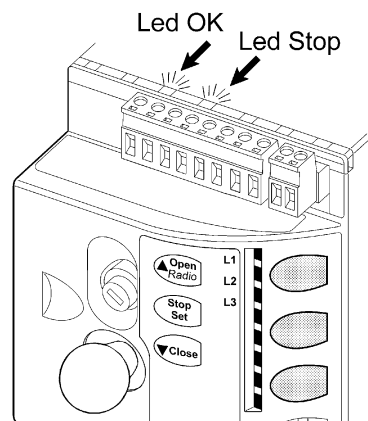
Als er een knipperlicht wordt aangesloten, zal dit tijdens de manoeuvre één maal per seconde knipperen; wanneer er een storing is, zal het kortere knipperingen geven; deze knipperingen worden twee maal herhaald met daartussen een pauze van een seconde. Tabel 23. Dezelfde signaleringen worden ook uitgevoerd met het gebruikerslicht.

Tabel 24: signaleringen op het knipperlicht FLASH

Snelle knipperingen	Oorzaak	HANDELING
2 knipperingen pauze van 1 seconde 2 knipperingen	Inwerkingtreding van een fotocel	Bij het begin van de manoeuvre geven één of meer fotocellen geen toestemming tot de manoeuvre, controleer of er obstakels zijn Dit is normaal tijdens de manoeuvre als er daadwerkelijk een obstakel is.
3 knipperingen pauze van 1 seconde 3 knipperingen	Inwerkingtreding van de begrenzer van de "Motorkracht"	Tijdens de manoeuvre heeft de deur meer wrijving ondervonden; controleer de oorzaak
4 knipperingen pauze van 1 seconde 4 knipperingen	Inwerkingtreding van de ingang STOP	Bij het begin van de manoeuvre of tijdens de manoeuvre is de ingang STOP in werking getreden; controleer de oorzaak.
5 knipperingen pauze van 1 seconde 5 knipperingen	Fout in de interne parameters van de elektronische besturingseenheid	Wacht tenminste 30 seconden en probeer dan opnieuw een instructie te geven; als er geen verandering in de status optreedt, zou er een ernstig defect kunnen zijn en dient de elektronische kaart vervangen te worden.
6 knipperingen pauze van 1 seconde 6 knipperingen	De maximumlimiet voor het aantal manoeuvres per uur is overschreden.	Wacht enkele minuten dat de begrenzer van het aantal manoeuvres weer onder de maximumlimiet komt.
7 knipperingen pauze van 1 seconde 7 knipperingen	Fout in de interne elektrische circuits	Koppel alle circuits enige seconden van de stroomtoevoer los; probeer daarna een instructie te geven; als er geen verandering in de status optreedt, zou er een ernstig defect op de kaart kunnen zijn of in de bekabeling van de motor. Controleer en vervang eventueel.

7.7.2) Signaleringen op de besturingseenheid

Op de besturingseenheid van TEN bevinden zich een reeks ledjes die elk bepaalde signaleringen kunnen geven, zowel wanneer alles normaal functioneert als bij storingen. (afbeelding 41).



Tabel 25: leds op de klemmetjes van de besturingseenheid

Led OK	Oorzaak	HANDELING
Uit	Storing	Controleer of er stroom is; controleer of de zekeringen niet in werking getreden zijn; is dat het geval, controleer dan de oorzaak van de storing en vervang de zekeringen vervolgens met andere met dezelfde waarde.
Aan	Ernstige storing	Er is een ernstige storing opgetreden; probeer de besturingseenheid enkele seconden uit te zetten; als deze status niet verandert, is er een defect en dient de elektronische kaart vervangen te worden.
Eén knippering per seconde	Alles OK	Normale werking van de besturingseenheid
2 snelle knipperingen	Er is een wijziging opgetreden in de status van de ingangen	Dit is normaal wanneer er een wijziging optreedt op één van de ingangen: PP, STOP, of wanneer de fotocellen in werking treden of de radiozender gebruikt wordt
Serie knipperingen met daartussen een pauze van een seconde	Verschillende	Dit is dezelfde signalering als die op het knipperlicht of gebruikerslicht. Zie tabel 23
Led STOP	Oorzaak	HANDELING
Uit	Inwerkingtreding van de ingang STOP	Controleer de op de ingang STOP aangesloten inrichtingen
Aan	Alles OK	Ingang STOP actief

Tabel 26: leds op de toetsen van de besturingseenheid

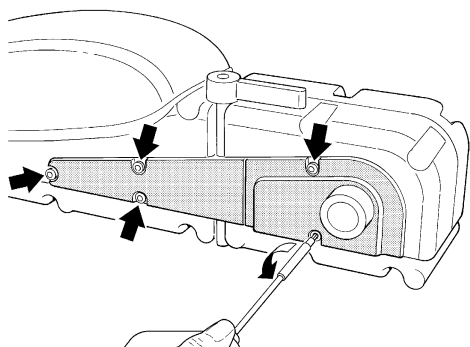
Led 1	Beschrijving
Uit	Bij normaal functioneren geeft dit aan dat de "Snelheid van sluiting" laag is.
Aan	Tijdens de eerste 15 seconden na inschakeling geeft dit aan dat de geheugenopslag zender gaande is. Bij normaal functioneren geeft dit aan dat de "Snelheid van sluiting" hoog is.
Knippert	<ul style="list-style-type: none"> • Programmering van de functies gaande. • Wissen of diagnostiek van de radiozenders.
Led L2	Beschrijving
Uit	Bij normaal functioneren geeft dit aan dat de "Snelheid van opening" laag is.
Aan	Bij normaal functioneren geeft dit aan dat de "Snelheid van opening" hoog is.
Knippert	<ul style="list-style-type: none"> • Programmering van de functies gaande • Indien dit samen met L3 brandt, wil dit zeggen dat het noodzakelijk is de procedure voor het herkennen van de openings- en sluitstanden van de deur uit te voeren (zie paragraaf "4.3 Herkenning van de openings- en sluitstanden van de deur").
Led L3	Beschrijving
Uit	Bij normaal functioneren geeft dit aan dat de functie "Automatisch sluiten" niet actief is.
Aan	Bij normaal functioneren geeft dit aan dat de functie "Automatisch sluiten" actief is.
Knippert	<ul style="list-style-type: none"> • Programmering van de functies gaande • Indien dit samen met L2 brandt, wil dit zeggen dat het noodzakelijk is de procedure voor het herkennen van de openings- en sluitstanden van de deur uit te voeren (zie paragraaf "4.3 Herkenning van de openings- en sluitstanden van de deur").

7.8) Accessoires

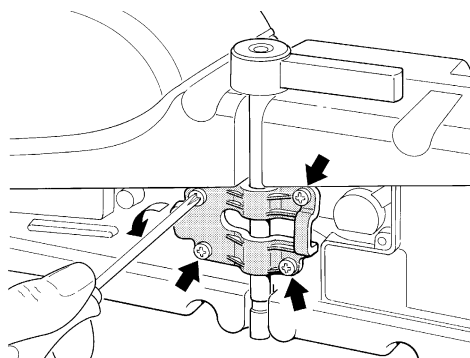
Voor TEN zijn de volgende accessoires verkrijgbaar. Raadpleeg de catalogus producten van Nice S.p.A. voor de complete en bijgewerkte lijst met accessoires.

- TNA1** Besturingseenheid voor TN2030 en TNKCE
- OTA2** Steunbeugel voor motor met een lengte van 1250 mm
- OTA3** Steunbeugel voor motor met een lengte van 2000 mm
- TNA4** Stel aandrijfassen met een lengte van 1500 mm
- TNA5** Stel rechte standaard telescooparmen
- TNA6** Stel gebogen standaard telescooparmen
- TNA8** Stel aandrijfassen met een met een lengte van 200 mm
- OTA11** Set voor ontgrendeling van buitenaf met metalen koordje
- OTA12** Set voor ontgrendeling van buitenaf met sluithaak voorzien van sleutel
- TNA38** Retourinrichting voor 1 stel aandrijfassen
- TS** Waarschuwingsbord

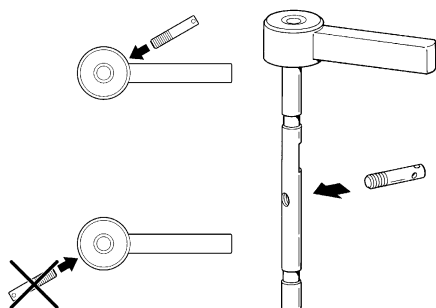
7.8.1) Voorbereidende montage voor OTA11



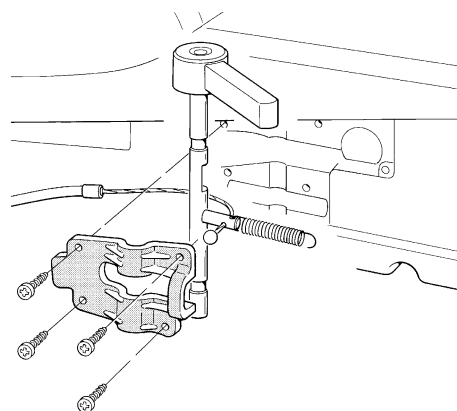
42 Draai de schroeven los en verwijder de dekplaten aan de zijkant



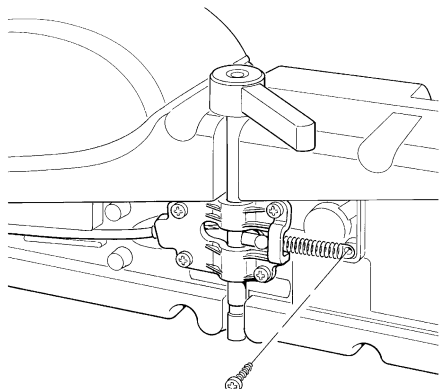
43 Draai de schroeven los en verwijder het bandje



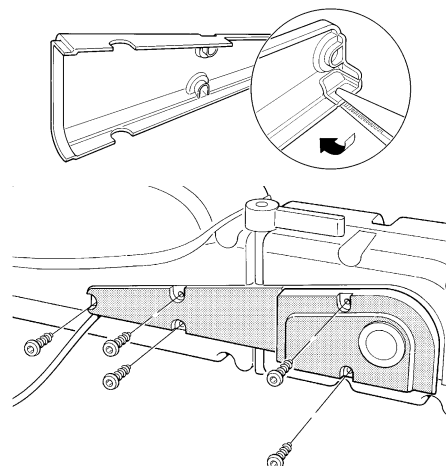
44 Draai de meegeleverde pin vast en let daarbij op de plaats ten opzichte van de handgreep



45 Breng het kabeltje en de veer aan, zoals dat is aangegeven



46 Bevestig de veer met de meegeleverde schroef 4.2x13, schroef het bandje weer vast en breng tenslotte de hoos aan.



47 Snijd de voorkerving op het dekseltje door en sluit alles weer waarbij u erom moet denken de dichting niet te pletten.

8) Technische gegevens

Teneinde haar producten steeds meer te vervolmaken behoudt NICE S.p.a. zich het recht voor op elk gewenst moment en zonder voorbericht wijzigingen in haar producten aan te brengen, waarbij functionaliteit en gebruiksbestemming echter gehandhaafd blijven. Alle technische gegevens hebben betrekking op een omgevingstemperatuur van 20°C (±5°C).

Technische gegevens: TEN					
Model type	TN2020	TN2030	TNKCE	TN2030+TN2020	
Typologie	/	Elektromechanische reductiemotor voor het automatische manoeuvreren van buiten de gevel en binnen de gevel draaiende kanteeldeuren voor particulier gebruik compleet met elektronische besturingseenheid			
Maximumkoppel bij de start	320 Nm	320 Nm	280 Nm	420 Nm	
Nominale koppel	220 Nm	220 Nm	200 Nm	280 Nm	
Snelheid loos	/	1,7rpm; De besturingseenheid biedt de mogelijkheid 2 snelheden te programmeren, te weten: 1rpm of 1,7rpm			
Snelheid bij het nominale koppel	/	1.2rpm			
Maximale frequentie werkingscycli (de besturingseenheid beperkt het aantal cycli tot het maximum zoals voorzien in de tabellen 3 en 4) *	25 cycli/uur	20 cycli/uur	15 cycli/uur	10 cycli/uur	
Maximumduur continue werking (de besturingseenheid beperkt de duur van continue werking tot het maximum zoals voorzien in de tabellen 3 en 4) **	14 minuten	11 minuten	10 minuten	8 minuten	
Gebruikslimieten	Over het algemeen is TEN in staat uitgebalanceerde deuren met een oppervlakte tot 8m ² bij 1 motor en tot 14m ² bij 2 motoren te automatiseren, volgens de limieten zoals voorzien in de tabel 2 te automatiseren.				
Levensduur	Geschat op een aantal cycli tussen de 10.000 en 50.000, volgens de voorwaarden van tabel 5				
Stroomvoorziening TEN	24 Vcc (-30% +50%) 230Vac (-10% +15%) 50/60Hz.				
Stroomvoorziening TEN/V1	120Vac (-10% +15%) 50/60Hz.				
Maximaal opgenomen vermogen met 1 motor	130 W (5.5A)	220 W (1A)	200 W (0.9A)	330 W (1.4A)	
Maximaal opgenomen vermogen met 2 motoren					
Isolatieklasse	III	I	I	I	
Stroomtoevoer via batterijen	no				
Gebruikerslicht	12V/10W fitting BA15S				
Uitgang knipperlicht	/	Voor 1 knipperlicht LUCYB;MLB o MLBT (lamp 12V, 21W)			
Uitgang fototest/elektrisch slot	/	24Vac /2W			
Ingang STOP	/	Voor normaal gesloten contacten, normaal open contacten en/of voor constante weerstand 8,2Kohm, met automatische herkenning van de "normale" status (een verandering ten opzichte van de opgeslagen status veroorzaakt de instructie "STOP")			
Ingang PP	/	Voor normaal open contacten (sluiting van het contact veroorzaakt de instructie P.P.)			
Ingang RADIOANTENNE	/	52 ohm voor kabel van het type RG58 of dergelijke			
Radio-ontvanger	/	Ingebouwd			
Programmeerbare functies	/	3 functies van het type ON-OFF en 3 afstelbare functies (zie de tabellen 15 en 17)			
Functies met zelflering	/	Zelflering van het soort inrichting "STOP" (contact NO, NC of weerstand 8,2KΩ) Herkenning van de openings- en sluitstanden van de deuren en berekening van de punten van vertraging en gedeeltelijke opening			
Werkings temperatuur	-20°C ÷ 50°C				
Gebruik in bijzonder zure, zoute of potentieel explosieve omgeving	Nee				
Beschermingsklasse	IP 44				
Afmetingen en gewicht	512 x 150 h 158				
Gewicht	7.2 Kg	9.5 Kg	15.5 Kg		
		TN2020	TN2030	TNKCE	TN2030+TN2020
* Bij 50°C is de maximale werkingsfrequentie (cycli/uur)		"6"	"4"	"4"	"3"
** Bij 50°C is de maximumduur continue werking (minuten)		"6"	"5"	"5"	"4"

Technische gegevens	ingebouwde radio-ontvanger
Typologie	Ingebouwde ontvanger met 4 kanalen voor radiobesturing
Frequentie	433.92MHz
Codering	Digitale 12-bits vaste code, type FLO Digitale 52-bits rollingcode, type FLOR Digitale 64-bits rollingcode, type SMILO
Compatibiliteit zenders (1)	A) FLO, VERY VE B) FLOR, VERY VR; alleen enkele groep: ERGO, PLANO, PLANOTIME, NICEWAY (de gehele lijn) C) SMILO
Aantal zenders dat opgeslagen kan worden	Maximaal 160 bij geheugenopslag in Modus I
Impedantie ingang	52Ω
Gevoeligheid	beter dan 0,5μV
Bereik van de zenders	Tot 150 m in het vrije veld; tot 35 m binnenshuis. Deze afstand kan aanzienlijk variëren wanneer er obstakels of eventuele elektromagnetische storingen zijn; ook is de plaats van de ontvangerantenne van invloed
Uitgangen	Voor instructies volgens de tabellen 7 en 8
Werkings temperatuur	-20°C ÷ 55°C

N.B.1: de eerste zender welke ingevoerd wordt bepaalt ook het soort zenders dat daarna kan worden ingevoerd

Technische gegevens	zender: FLO2	zender: FLO2R-S	zender: SM2
Typologie	2-kanaals zender voor radiobesturing		
Frequentie	433.92MHz		
Codering	Digitale 12-bits vaste code, type FLO	Digitale 52-bits rollingcode, type FLO	Digitale 64-bits rollingcode, type SMILO
Toetsen	2		
Stroomtoevoer	12Vdc met batterij type 23A		
Absorptie	25mA		
Levensduur batterij	1 jaar, geschat op een basis van 20 instructies/dag met een duur van 1s bij 20°C (bij lage temperaturen vermindert de batterijwerking)		
Uitgestraald vermogen	100μW		
Afmetingen en gewicht	72 x 40 h 18mm / 30g	72 x 40 h 18mm / 30g	Doorsnede 48 h14mm / 19g
Beschermingsklasse	IP 40 (gebruik binnenshuis of in een beschermde ruimte)		
Werkings temperatuur	-40°C ÷ 85°C		

Aanwijzingen en aanbevelingen bestemd voor de gebruiker van de reductiemotor TEN

Deze aanwijzingen kunnen een aanvulling zijn op de "Aanwijzingen en aanbevelingen voor het gebruik van de automatisering" die de installateur aan de eigenaar van de automatisering zal overhandigen en die hiermee aangevuld dienen te worden.

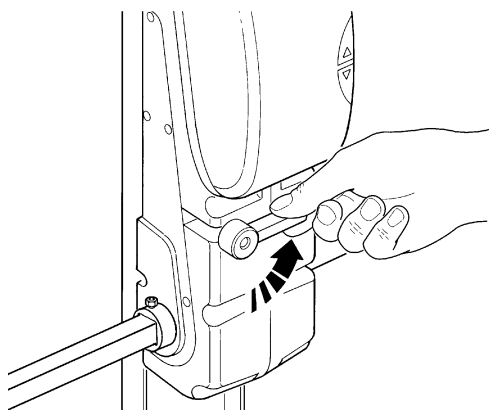
Proficiat met de keuze van een product Nice voor uw automatisering! Nice S.p.a. produceert componenten voor het automatiseren van poorten, deuren, rolpoorten, rolluiken en zonwering: reductiemotors, besturingseenheden, afstandsbedieningen, waarschuwingslichten, fotocellen en accessoires. Nice gebruikt uitsluitend kwaliteitsmateriaal en -bewerkingen, en geroepen als zij zich voelt, zoekt ze naar vernieuwende oplossingen die haar apparaten - verzorgd in de technische esthetische en ergonomische aspecten - zo gebruiksvriendelijk mogelijk maakt: in het uitgebreide programma van Nice zal uw installateur ongetwijfeld dat product uitgekozen hebben dat het meest aan uw eisen beantwoordt. Nice is echter niet de fabrikant van uw automatiseringsinstallatie, die daarentegen het resultaat is van analyse, evaluatie, keuze van materialen, en het aanleggen daarvan door uw vertrouwensinstallateur. Elke automatisering is uniek en alleen uw installateur bezit de ervaring en het vakmanschap dat nodig is om een installatie volgens uw verlangens uit te voeren, veilig en betrouwbaar in de tijd, en vooral volgens de regelen der kunst, dat wil zeggen conform de geldende voorschriften. Een automatiseringsinstallatie is een groot gemak, een waardevol veiligheidssysteem en kan met een beetje aandacht tot in lengte van dagen duren. Ook al beantwoordt de automatisering in uw bezit aan het in normen en wetten voorgeschreven veiligheidsniveau, dit sluit niet uit dat er een "restrisco" bestaat, dat wil zeggen de mogelijkheid dat er gevaarlijke situaties kunnen ontstaan, die gewoonlijk te wijten zijn aan onverantwoordelijk of zelfs verkeerd gebruik; hierom willen wij u enige adviezen geven hoe u met de automatisering dient om te gaan teneinde elk eventueel probleem te voorkomen:

- **Voordat u de automatisering voor de eerste maal gaat gebruiken**, is het raadzaam u door de installateur te laten uitleggen waar de restrisco's ontstaan, en enkele minuten van uw tijd te besteden aan het lezen van deze handleiding **met aanwijzingen en aanbevelingen voor de gebruiker die de installateur u overhandigd heeft**. Bewaar deze handleiding voor eventuele toekomstige twijfels en geef haar aan een eventuele nieuwe eigenaar van de automatisering.
- **Uw automatisering is een machine die getrouwelijk uw instructies opvolgt**; onverantwoordelijk en oneigenlijk gebruik kan maken dat het een gevaarlijke machine wordt: laat de automatisering niet werken als er zich mensen, dieren of zaken binnen haar bereik bevinden.
- **Kinderen**: een automatiseringsinstallatie biedt een hoge graad van veiligheid, doordat ze met haar beveiligingssystemen de manoeuvre bij aanwezigheid van mensen of zaken onderbreekt en altijd een voorspelbare en veilige activering garandeert. Het is in ieder geval verstandig kinderen te verbieden in de buurt van de installatie te spelen en de afstandsbedieningen buiten hun bereik te houden om te voorkomen dat de installatie per ongeluk in werking komt: **het is geen speelgoed!**

- **Storingen**: Zodra u constateert dat de automatiseringsinstallatie niet werkt zoals ze dat zou moeten doen, dient u de stroomtoevoer naar de installatie te onderbreken en haar handmatig te ontgrendelen. Probeer niet zelf te repareren, maar roep de hulp van uw vertrouwensinstallateur in: intussen kan de installatie werken als een niet geautomatiseerde toegang, wanneer u de reductiemotor op de hieronder beschreven manier ontgrendeld hebt.
- **Onderhoud**: Zoals elke machine heeft uw installatie periodiek onderhoud nodig om haar zo lang mogelijk en geheel veilig te laten werken. Stel met uw installateur een onderhoudsplan met periodieke frequentie op; Nice raadt bij normaal gebruik bij een woning een onderhoudsbezoek om het half jaar aan, maar dit tijdsbestek kan variëren in functie van een meer of minder intensief gebruik. Alle controle-, onderhouds- of reparatiewerkzaamheden mogen uitsluitend door gekwalificeerd personeel worden uitgevoerd.
- Ook al bent u van mening dit te kunnen doen, breng geen wijzigingen aan de installatie en de programmerings- en afstellingsparameters van uw automatiseringsinstallatie aan: uw installateur is aansprakelijk.
- De opleveringstest, de periodieke onderhoudswerkzaamheden en de eventuele reparatiewerkzaamheden dienen gedocumenteerd te worden door wie die uitvoert en de documenten dienen door de eigenaar van de installatie bewaard te worden.
De enige werkzaamheden die de gebruiker regelmatig kan en moet uitvoeren zijn het reinigen van de glasjes van de fotocellen en het verwijderen van bladeren en stenen die het automatisme in diens werking kunnen belemmeren. Om te voorkomen dat iemand de deur in beweging kan brengen dient u eraan te denken voordat u **dit gaat doen het automatisme** (zoals verderop beschreven) te ontgrendelen en voor het schoonmaken alleen een enigszins vochtige in water gedrenkte doek te gebruiken.
- **Afvalverwerking**: Als de automatisering niet meer gebruikt kan worden, dient u zich ervan te vergewissen dat de sloop daarvan door gekwalificeerd personeel wordt uitgevoerd en dat het materiaal volgens de plaatselijk geldende voorschriften wordt hergebruikt of naar de afvalverwerking wordt gezonden.
- **In geval van defecten of stroomuitval**: In afwachting van het bezoek van uw installateur, (of het terugkeren van de elektrische stroom als de installatie niet van bufferbatterijen voorzien is), mag de installatie gebruikt worden als elke andere niet-geautomatiseerde toegang. Hiertoe dient u de automatisering handmatig te ontgrendelen: aan deze handeling, die de enige is die de gebruiker van de automatisering mag uitvoeren, heeft Nice bijzonder veel aandacht besteed om u altijd een maximum aan gebruiksvriendelijkheid te garanderen, zonder dat u gereedschap moet gebruiken of fysieke kracht moet aanwenden.

Ontgrendeling en handmatige manoeuvre: voordat u dit gaat doen dient u erop te letten dat ontgrendeling alleen kan plaatsvinden wanneer de vleugel stil staat.

Voor ontgrendeling draait u de handgreep tegen de wijzers van de klok in en verplaatst u handmatig de vleugel (afbeelding 48)

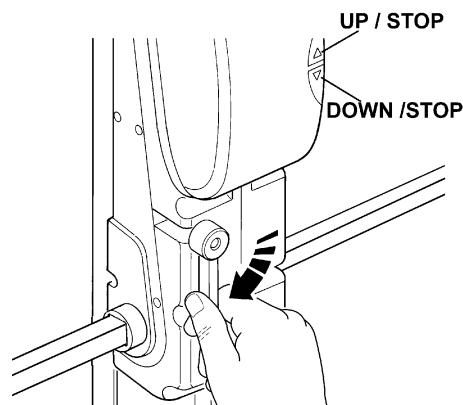


48

Bediening wanneer de veiligheidsinrichtingen buiten gebruik zijn: indien de veiligheidsinrichtingen van de deur niet correct mochten functioneren, kunt u de deur toch bedienen.

- Activeer de bediening van de deur (met de afstandsbediening, sleutelschakelaar, etc.); als alles in orde is zal de deur normaal open of dicht gaan, anders zal het knipperlicht enkele malen knipperen en zal de manoeuvre niet van start gaan (het aantal malen dat het knipperlicht knippert heeft te maken met de reden waarom de manoeuvre niet van start kan gaan).
- In dit geval moet u de bedieningsinrichting binnen 3 seconden nogmaals **activeren en geactiveerd houden**.
- Na ongeveer 2s komt de deur in beweging en wel in de modus "iemand aanwezig", d.w.z. zolang de bedieningsinrichting geactiveerd blijft, beweegt de deur; zodra de bedieningsinrichting losgelaten wordt, stopt de deur.

Om de handgreep weer terug te stellen brengt u hem in verticale stand en draait u hem met de wijzers van de klok mee, waarna u de vleugel handmatig verplaatst tot hij vasthaakt (afbeelding 49)



49

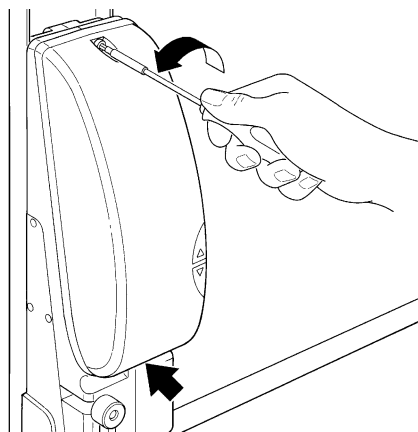
Wanneer de beveiligingen buiten gebruik zijn, moet het automatische zo snel mogelijk gerepareerd worden.

Vervanging van de batterij van de afstandsbediening: als uw afstandsbediening na enige tijd minder lijkt te werken, of helemaal niet te werken, zou dit eenvoudigweg kunnen komen omdat de batterij leeg is (afhankelijk van het type daarvan kan dat na verschillende maanden of na twee/drie jaar zijn). U kunt dit zien doordat het waarschuwingslampje dat de doorzending bevestigt, zwak brandt, of helemaal niet brandt, of slechts eventjes brandt. Voordat u zich tot de installateur wendt kunt u proberen de batterij van een andere zender die wél werkt, in te zetten: als dit de oorzaak van de storing is, behoeft u alleen maar een nieuwe batterij van hetzelfde type in te zetten.

Let op: De batterijen bevatten vervuilende stoffen: gooi ze niet met het gewone huisvuil weg, maar gebruik de methoden die in de plaatselijke voorschriften voorzien zijn.

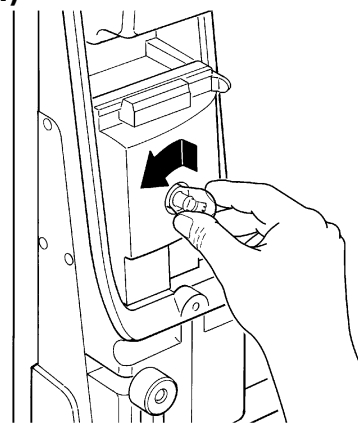
Vervangen van de lamp: voordat u dit gaat doen dient u eerst de stroomtoevoer naar de TEN te onderbreken.

1. Open de dekplaat door de schroeven los te draaien zoals dat is aangegeven (afbeelding 50)



50

2. Draai het lampje los en vervang het met een nieuw 12-V lampje van 21W met fitting BA15 in (afbeelding 51)



51

Bent u tevreden? Indien u in uw huis nog een nieuwe automatiseringsinstallatie zou willen, kunt u zich, wanneer u zich tot dezelfde installateur en Nice wendt, van de adviezen van een specialist en de meest geavanceerde producten op de markt verzekeren. Het resultaat: een automatisering die het best functioneert en een maximale compatibiliteit met de andere automatiseringen. Wij bedanken u voor het lezen van deze aanbevelingen, en wij hopen dat u veel plezier van uw nieuwe installatie zult hebben: wend u voor elke vraag, nu of in de toekomst, vol vertrouwen tot uw installateur.

Dichiarazione CE di conformità / EC Declaration of Conformity

Dichiarazione CE di conformità secondo Direttiva 98/37/CE, Allegato II, parte B (dichiarazione CE di conformità del fabbricante)
EC Declaration of Conformity according to Directive 98/37/EC, Annex II, part B

Numero / Number

251/TN

Revisione / Revision: 1

Il sottoscritto Lauro Buoro in qualità di Amministratore Delegato, dichiara sotto la propria responsabilità che il prodotto:
The undersigned Lauro Buoro, managing director, declares under his sole responsibility that the following product:

Nome produttore / *Manufacturer's name*

NICE s.p.a.

Indirizzo / *Address*

Via Pezza Alta 13, 31046 Z.I. Rustignè, Oderzo (TV) Italia

Tipo / *Type*

Motoriduttore elettromeccanico "TEN" con centrale incorporata
"TEN" electromechanical gearmotor with incorporated control unit

Modello / *Models*

TNKCE, TN2030, TN2020

Accessori / *Accessories*

LUCYB, MOSE, FLO2R-S

Risulta conforme a quanto previsto dalla direttiva comunitaria: / *Satisfies the essential requirements of the following Directives:*

- 98/37/CE (89/392/CEE modificata) DIRETTIVA 98/37/CE DEL PARLAMENTO EUROPEO E DEL CONSIGLIO del 22 giugno 1998 concernente il ravvicinamento delle legislazioni degli Stati membri relative alle macchine.
98/37/CE (ex 89/392/EEC) DIRECTIVE 98/37/EC OF THE EUROPEAN PARLIAMENT AND OF THE COUNCIL of June 22, 1998, for the harmonisation of the legislations of member States regarding machines.

Come previsto dalla direttiva 98/37/CE si avverte che non è consentita la messa in servizio del prodotto sopra indicato finché la macchina, in cui il prodotto è incorporato, non sia stata identificata e dichiarata conforme alla direttiva 98/37/CE.

As specified in the 98/37/EC directive, the use of the product specified above is not admitted until the machine in which it is incorporated has been identified and declared as conforming to the 98/37/EC directive.

Inoltre il prodotto risulta conforme a quanto previsto dalle seguenti direttive comunitarie, così come modificate dalla Direttiva 93/68/CEE del consiglio del 22 Luglio 1993:

Furthermore, the product complies with the specifications of the following EC directives, as amended by the directive 93/68/EEC of the European Council of 22 July 1993:

- 73/23/CEE DIRETTIVA 73/23/CEE DEL CONSIGLIO del 19 febbraio 1973 concernente il ravvicinamento delle legislazioni degli Stati membri relative al materiale elettrico destinato ad essere adoperato entro taluni limiti di tensione.
Secondo la seguente norma armonizzata: EN 60335-1:1994; EN 50371:2002 (solo per TNKCE e TN2030), EN 60950-1:2001 (per le parti applicabili e solo per TNKCE e TN2030)
73/23/EEC DIRECTIVE 73/23/EEC OF THE COUNCIL of February 19, 1973 for the harmonisation of the legislations of member States regarding electrical equipment designed to be used within certain voltage limits.
According to the following harmonised standard: EN 60335-1:1994; EN 50371:2002 (only TNKCE and TN2030,) EN 60950-1:2001 (applicable parts and only TNKCE - TN2030)
- 89/336/CEE DIRETTIVA 89/336/CEE DEL CONSIGLIO del 3 maggio 1989, per il ravvicinamento delle legislazioni degli Stati membri relative alla compatibilità elettromagnetica.
Secondo le seguenti norme armonizzate: EN 61000-6-2:2001; EN 61000-6-3:2001+A1:2004
89/336/EEC DIRECTIVE 89/336/EEC OF THE COUNCIL of May 3, 1989, for the harmonisation of the legislations of member States regarding electromagnetic compatibility.
In compliance with the following harmonised standards: EN 61000-6-2:2001; EN 61000-6-3:2001+A1:2004

Inoltre risulta conforme ai requisiti essenziali richiesti dall'articolo 3 dalla seguente direttiva comunitaria, per l'uso al quale i prodotti sono destinati:
It also conforms to the essential requirements stated in article 3 of the following EC directive, for the intended use of products:

- 1999/5/CE; DIRETTIVA 1999/5/CE DEL PARLAMENTO EUROPEO E DEL CONSIGLIO del 9 marzo 1999 riguardante le apparecchiature radio e le apparecchiature terminali di telecomunicazione e il reciproco riconoscimento della loro conformità
Secondo le seguenti norme: EN 300220-3 V1.1.1:2000 (solo per TNKCE e TN2030), EN 301 489-1:2004 (solo per TNKCE e TN2030); EN 301 489-3:2002(solo per TNKCE e TN2030)
1999/5/EC; DIRECTIVE 1999/5/EC OF THE EUROPEAN PARLIAMENT AND COUNCIL of 9 March 1999 regarding radio equipment and telecommunications terminal equipment and the mutual recognition of their conformity
According to the following harmonised standard: EN 300220-3 V1.1.1:2000 (only TNKCE and TN2030), EN 301 489-1:2004 (only TNKCE and TN2030), EN 301 489-3:2002 (only TNKCE and TN2030)

Inoltre risulta conforme, limitatamente per le parti applicabili, alle seguenti norme: EN 60335-1:2002+A1:2004+A11:2004, EN 60335-2-95:2004, EN 13241-1:2003, EN 12453:2002, EN 12445:2002, EN 12978:2003

It also complies, within the constraints of applicable parts, with the following standards: EN 60335-1:2002+A1:2004+A11:2004, EN 60335-2-95:2004, EN 13241-1:2003, EN 12453:2002, EN 12445:2002, EN 12978:2003

Oderzo, 18 Gennaio 2007

Oderzo, 18 January 2007


Amministratore Delegato
Managing Director
Lauro Buoro



Nice

Headquarter

Nice SpA

Oderzo TV Italia
Tel. +39.0422.85.38.38
Fax +39.0422.85.35.85
info@niceforyou.com

Nice in Italy

Nice Padova

Sarmeola di Rubano PD Italia
Tel. +39.049.89.78.93.2
Fax +39.049.89.73.85.2
infopd@niceforyou.com

Nice Roma

Roma Italia
Tel. +39.06.72.67.17.61
Fax +39.06.72.67.55.20
inforoma@niceforyou.com

Nice worldwide

Nice France

Buchelay
Tel. +33.(0)1.30.33.95.95
Fax +33.(0)1.30.33.95.96
info@fr.niceforyou.com

Nice Rhône-Alpes

Decines Charpieu France
Tel. +33.(0)4.78.26.56.53
Fax +33.(0)4.78.26.57.53
info@alps.niceforyou.com

Nice France Sud

Aubagne France
Tel. +33.(0)4.42.62.42.52
Fax +33.(0)4.42.62.42.50
infomarseille@fr.niceforyou.com

Nice Belgium

Leuven (Heverlee)
Tel. +32.(0)16.38.69.00
Fax +32.(0)16.38.69.01
info@be.niceforyou.com

Nice España Madrid

Tel. +34.9.16.16.33.00
Fax +34.9.16.16.30.10
info@es.niceforyou.com

Nice España Barcelona

Tel. +34.9.35.88.34.32
Fax +34.9.35.88.42.49
info@es.niceforyou.com

Nice Polska

Pruszków
Tel. +48.22.728.33.22
Fax +48.22.728.25.10
info@pl.niceforyou.com

Nice UK

Chesterfield
Tel. +44.87.07.55.30.10
Fax +44.87.07.55.30.11
info@uk.niceforyou.com

Nice Romania

Cluj Napoca
Tel/Fax +40.264.45.31.27
info@ro.niceforyou.com

Nice Deutschland

Gelnhausen-Hailer
Tel. +49.60.51.91.52-0
Fax +49.60.51.91.52-119
info@de.niceforyou.com

Nice China

Shanghai
Tel. +86.21.575.701.46
+86.21.575.701.45
Fax +86.21.575.701.44
info@cn.niceforyou.com

Nice USA Inc.

Jacksonville, Fl.
Tel. +001.904.786.7133
Fax +001.904.786.7640
info@us.niceforyou.com