

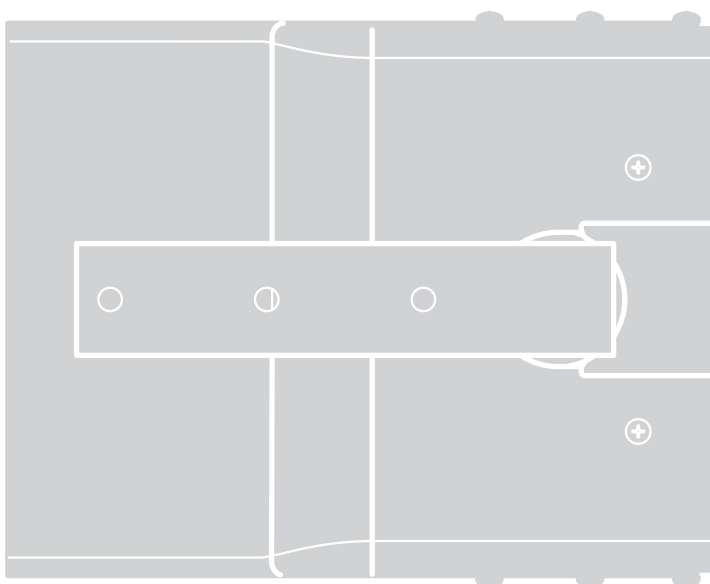
# XMETRO

XME2024

XME2124



Swing gate opener



**EN - Instructions and warnings for installation and use**

**IT - Istruzioni ed avvertenze per l'installazione e l'uso**

**FR - Instructions et avertissements pour l'installation et l'utilisation**

**ES - Instrucciones y advertencias para la instalación y el uso**

**DE - Installierungs-und Gebrauchsanleitungen und Hinweise**

**PL - Instrukcje i ostrzeżenia do instalacji i użytkowania**

**NL - Aanwijzingen en aanbevelingen voor installatie en gebruik**

**Nice**



# Summary

1 - GENERAL SAFETY WARNINGS AND PRECAUTIONS	1
2 - DESCRIPTION OF THE PRODUCT AND DESTINATION OF USE	1
3 - INSTALLATION	1
3.1 - Preliminary checks on installation	1
3.2 - Suitability of the gate to automate and the surrounding environment	2
3.3 - Limits of use for the product	2
3.4 - Set-up for installation	2
3.5 - Installation	2
3.6 - Manual release and block of the gear motor	2
4 - ELECTRIC CONNECTIONS	2
5 - INSPECTION AND COMMISSIONING	2
5.1 - Inspection	3
5.2 - Commissioning	3
6 - PRODUCT MAINTENANCE	3
DISPOSAL OF THE PRODUCT	3
PRODUCT TECHNICAL FEATURES	3
Product duration	4
CE DECLARATION OF CONFORMITY	4
INSTRUCTIONS AND WARNINGS FOR THE USER (cut-out attachment)	II
IMAGES	VIII - XIII

## Recommendations regarding safety

- **ATTENTION!** – This manual contains important instructions and recommendations regarding the safety of persons. Incorrect installation can cause serious injury. Read the manual completely before starting work. If in doubt, suspend the installation and request clarifications from the Nice After-sales Assistance.
- **ATTENTION!** – Important instructions: keep this manual for any future maintenance interventions and product disposal.
- **ATTENTION!** – In compliance with the most recent European Legislation, the realisation of an automatic door or gate must respect the Standards envisioned by the 2006/42/CE Directive (ex 98/37/CE) (Machinery Directive) and in particular, the EN 12445; EN 12453; EN 12635 and EN 13241-1 Standards, which allow to declare conformity of the automation. **Considering this**, all product installation, connection, inspection and maintenance operations must only be performed by a qualified and skilled technician!

## Recommendations for installation

- Before starting installation, check whether this product is suitable to automate your gate or door (see chapter 3 and the “Product technical features”). If it is not suitable, DO NOT proceed with installation.
- **All installation and maintenance operations must take place with the automation disconnected from the electric power input.** If the power input disconnection device is not visible from the place where the automation is positioned, before starting work, affix a sign onto the disconnection device that states “ATTENTION! MAINTENANCE IN PROGRESS”.
- Handle the automation with care during installation, preventing crushing, blows, falls or contact with liquids of any nature. Do not place the product near to heat sources or expose it to naked flames. All of these actions can damage it and be cause of malfunctioning or dangerous situations. If this occurs, suspend installation immediately and contact the Nice After-sales Assistance.
- Do not modify any product parts. Unauthorised operations can only cause malfunctioning. The manufacturer declines liability for damage deriving from arbitrary modifications to the product.
- If the gate or door to be automated has a pedestrian door the plant must be set up with a control system that prevents functioning of the motor when the pedestrian door is open.
- The product packaging material must be disposed of in compliance with local legislation.

## 2 DESCRIPTION OF THE PRODUCT AND DESTINATION OF USE

This product is destined to be used to automate gates or doors with hinged panels, exclusively in the residential environment.

**ATTENTION!** – Any use different to that described and in environmental conditions different to those stated in this manual must be considered improper and prohibited!

The product is an electro-mechanical gear motor, with a 24 Vdc motor. The gear motor is powered by the external control unit, to which it must be connected.

If the electric energy is interrupted (*black-out*), the gate panels can be moved by releasing the gear motor using the relevant wrench; to perform the manual manoeuvre, see chapter 3.6.

The product is available in two versions:

- XME2024 without encoder, suitable for MC424 control units.
- XME2124 with encoder, suitable for MC824H control units.

**Do not use gear motors with incompatible control units.**

## 3 INSTALLATION

### 3.1 - Preliminary checks on installation

Before performing installation, check the integrity of the product components, the adequacy of the model chosen and the suitability of the environment destined for installation.

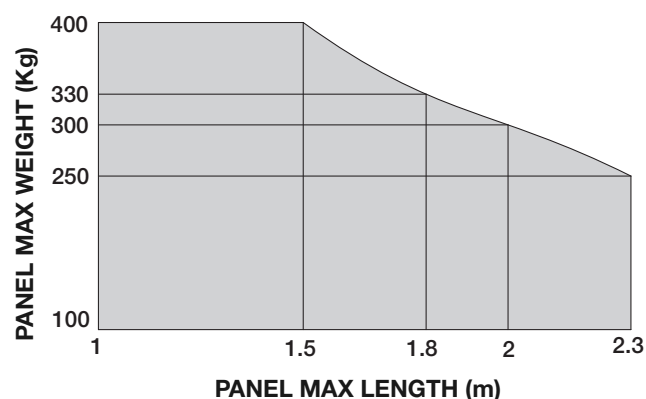
**IMPORTANT** – The gear motor cannot automate a manual gate that does not have an efficient and safe mechanical structure. Moreover, it cannot solve defects caused by incorrect installation or bad maintenance of the gate itself.

### 3.2 - Suitability of the gate to automate and the surrounding environment

- Check that the gate mechanical structure is suitable to be automated and complies with the Standards in force on the territory (if necessary, refer to the data given on the gate label).
- Moving the gate panel manually in *Opening* and in *Closure*, check that the movement takes place with the same and constant friction in all points of the run (there must not be moments of greater effort).
- Check that the gate panel stays in equilibrium, i.e. that it does not move if taken manually into any position and left.
- Check that the space around the gear motor allows to manually release the gate panels easily and safely.
- Envision end run retainers on the ground both for opening and closure of the gate.
- Check that the gear motor fixing area is compatible with the clearance of the latter (fig. 1).

### 3.3 - Limits of use for the product

Before installing the product, check that the gate panel has dimensions and weight that lie within the limits given in **graph 1**; also evaluate the climatic conditions (e.g. strong wind) present in the place of installation. They can greatly reduce the values given in the graph.



### 3.4 - Set-up for installation

Fig. 2 shows an example of automated plant realised with Nice components. These components are positioned according to the typical and usual layout. With reference to **fig. 2**, establish the approximate position where each component envisioned in the plant will be installed and the most appropriate connection layout.

#### Components useful for realising a complete plant (fig. 2):

- A - Electro-mechanical gear motors
- B - Control unit
- C - Pair of photocells
- D - Columns for pairs of photocells (C)
- E - Flashing signal with antenna incorporated
- F - Digital keyboard
- G - Pair of mechanical stops in opening and closure
- H - Key selector switch

### 3.5 - Installation

01. Carry out large foundation excavations, for positioning the foundation case (fig. 3): envision a drain pipe for the water in order to prevent stagnation;
02. Place the foundation case in the excavated area, with the hole aligned with the axis of the upper hinge (fig. 4);
03. Envision a conduit for the passage of the power input cable and one for draining the water;
04. Sink the foundation case in the concrete, making sure that it is perfectly level (fig. 5);
05. At this point, make 3 threaded holes M10 on the lower part of the panel with minimum depth of 15 mm (fig. 6). *Note – As an alternative to the screws, it is possible to fix the panel hitching lever with strong welding;*
06. Fix the panel hitching lever using 3 screws (fig. 6);
07. **IMPORTANT!** – Lubricate the foundation case bush (fig. 7);
08. Insert the hitching lever already fixed to the panel into the foundation case bush (fig. 8);
09. If the gate has its own mechanical stops (fig. 2 - G) pass directly to point 10. Otherwise, if the gate does not have its own mechanical stops or if at end run all of the motor thrust is not to be applied to the panel, it is possible to use the end runs inside the gear motor and proceed as follows:
  - a) Insert the regulation dowels (for the opening and closing end run) in the holes prepared on the foundation case:
    - Panel opening to 90°: see fig. 9 for the left and right panel.
    - Panel opening to 180°: see fig. 10.
  - b) Regulation of the end run (opening and closure): activate the end

runs until the desired stop point in opening and closure is reached. Finally, add the nuts and if the end run positions are correct, tighten the nuts well (fig. 11);

10. At this point, insert the motor inside the foundation case, pushing it to the end of the case aligning the fixing holes present on the gear motor with those of the case itself (fig. 12);
11. Insert the supplied screw fasteners into the holes (fig. 13) and tighten them slightly until the gear motor is slightly raised with respect to the bottom of the case;
12. Now move the panel slowly to allow engagement with the motor and then tighten the screw fasteners fully home (fig. 14);
13. Pass the power input cable through a previously prepared raceway (fig. 15): to make the electric connection to the control unit, see chapter 4 and refer to the control unit manual;
14. Position three lids "A, B, C" respecting the following circuit:
  - a) Place the upper lid "A" on the foundation case and run it to stop (fig. 16 - 1), Insert lid "B" into the slot at the same time (fig. 16 - 2)
  - b) Fix lid "A" using the 3 supplied screws (fig. 16 - 3)
  - c) Fix the lower lid "C" using the screws supplied (fig. 16 - 4 and 5).

### 3.6 - Manual release and block of the gear motor

To release and block the gear motor, use the supplied triangular spanner:

#### • Release:

01. Insert the wrench into one of the 2 lateral holes present on the upper lid and turn it 180°, indifferently in one of the two directions (fig. 17);
02. Move the panel manually and take it to the desired position.

#### • Block:

01. Insert the wrench into one of the 2 lateral holes and turn it 180° indifferently in one of the two directions (fig. 17);
02. The panel will block at the first manoeuvre commanded by the control unit.

## 4 ELECTRIC CONNECTIONS

#### Recommendations:

- The gear motor is supplied with an electric power input cable measuring 2 m. Therefore, if a greater distance must be covered to perform the electric connections, a diversion box must be used (not supplied). **IMPORTANT!** – It is prohibited to join the electric cable inside the foundation case.
- Make the electric connections with the mains power input disconnected.

To connect the power input cable to the control unit, see the manual regarding the latter and the following indications:

<b>Blu wire</b>	= 24 V motor power input
<b>Brown wire</b>	= 24 V motor power input
<b>Black wire</b>	= Encoder (XME2124 version only)
<b>Grey wire</b>	= Encoder (XME2124 version only)
<b>Yellow/Green wire</b>	= Earth

## 5 INSPECTION AND COMMISSIONING

**ATTENTION!** – The operations described in this chapter must only be performed by qualified and skilled staff, respecting the instructions in the manual, the laws and the Safety Standards in force on the territory.

This is the most important phase in the realisation of the automation, in order to guarantee maximum safety of the system. The inspection procedure described can also be used to periodically check the devices that make up the automation.

The inspection phases and commissioning of the automation must be performed by qualified and expert staff that must establish the tests necessary to check the solutions used regarding the risks present and to check respect with that envisioned by the Laws, Standards and Regulations: particularly, all requisites of the EN 12445 Standard, which establishes the test methods for checking the gate automations.

**ATTENTION!** – Before carrying out any check, disconnect any electrical power input source.

## 5.1 - Inspection

Each individual component of the automation, e.g. sensitive edges, photocells, emergency stop etc requires a specific inspection phase. For these devices the procedures given in the respective instruction manuals must be performed.

For the X-Metro inspection, proceed as follows:

- 1 Check that everything envisioned in chapter 1 - General safety warnings and precautions, is rigorously respected;
- 2 Close the gate;
- 3 Remove any electric power input source to the control unit;
- 4 Release the gear motor using the relative wrench, see paragraph 3.6;
- 5 Open the panel manually until the maximum opening position is reached and check that there is no friction during the movement;
- 6 Check that the panel, left in any position of its run, does not move;
- 7 Check that the safety systems and the mechanical stops are in good working order;
- 8 Check that the screw connections are well-fastened;
- 9 If necessary, clean the inside of the foundation case and check that the water drain functions correctly;
- 10 Block the gear motor using the relative wrench, see paragraph 3.6;
- 11 Apply the electric power input to the control unit;
- 12 Measure the force of impact according to that envisioned by the EN 12445 Standard. If the control of the "driving force" is used by the control unit as an auxiliary to the system for the reduction of the force of impact, try and adjust the functions that offer better parameters;
- 13 Permanently fix a label, which describes how to manually release the gear motor, in a zone adjacent to the automation.

## 5.2 - Commissioning

Commissioning can only be performed after all of the inspection phases of the gear motor and other devices present have been performed with positive results. For commissioning refer to the control unit instruction manual.

**IMPORTANT – Partial commissioning or in "temporary" situations is prohibited.**

# 6

## PRODUCT MAINTENANCE

In general the automation requires periodical maintenance so that it can function as long as possible in complete safety. The maintenance of the automation must be programmed with periodic frequency. Maintenance programmed at maximum every 6 months is necessary.

To perform maintenance checks, repeat the procedure described in chapter 5.1 - Inspection.

**Important! – Before carrying out any check, disconnect any electrical power input source.**

## DISPOSAL OF THE PRODUCT

**This product is an integral part of the automation and therefore must be demolished with it.**

As for installation, the plant must also be demolished by qualified staff at the end of its life span.

This product is made up of various types of materials: some can be re-cycled, others must be disposed of. Obtain information regarding recycling or disposal systems envisioned by the Standards in force on your territory for this category of product.

**Attention!** – some parts of the product can contain pollutant or dangerous substances which, if dispersed into the environment, could have damaging effects on the same and human health.

As indicated by the symbol at the side, it is prohibited to throw this product into domestic waste. "Separate collection" must be performed for disposal, according to the methods envisioned by the Regulations in force on your territory or take the product back to your dealer on the purchase of a new equivalent product.



**Attention!** – local regulations in force may envision heavy sanctions if this product is disposed of abusively.

## PRODUCT TECHNICAL FEATURES

**RECOMMENDATIONS:** • All technical features stated make reference at a room temperature of 20°C (± 5°C). • Nice S.p.a. reserves the right to modify the product at any time it deems necessary, however maintaining the same functionality and destination of use.

■ Type	Electro-mechanical gear motors for gates and doors with hinged panels
■ Power input	24 V ~
■ Peak absorption	5 A
■ Maximum absorption	2 A
■ Peak power	120 W
■ Maximum power	50 W
■ Protection rating	IP 67
■ Run	from 0° to 90° (±10°) or from 0° to 180° (±10°) [intermediate openings between 90° and 180° are not possible]
■ Idle speed	1.25 rpm
■ Speed at nominal torque	1 rpm
■ Maximum torque	250 Nm
■ Nominal torque	120 Nm
■ Functioning temperature	from -20 °C to +50 °C
■ Cycles/hour at the nominal torque	60
■ Duration	Estimated between about 80,000 and 200,000 manoeuvre cycles, according to the conditions given in Table 1
■ Dimensions	230 mm x 206 mm x h 88 mm
■ Weight	15 Kg (gear motor with foundation space)

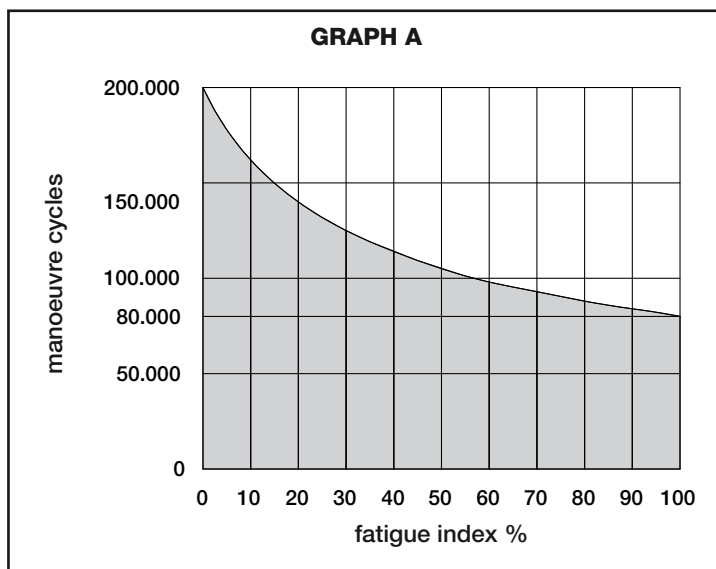
## Product duration

The duration and average economic life of the product. The value of duration is strongly affected by the fatigue index of the manoeuvres performed by the automation: i.e. the sum of all factors that contribute to wear of the product (see Table 1).

To establish the probable duration of your automation, proceed as follows:

01. Calculate the fatigue index by adding the percentage values of the items present in **Table 1**;
02. In **Graph A** of the value just found, trace a vertical line that crosses the curve; from this point trace a horizontal line until the "manoeuvre cycles" line is crossed. The value determined is the estimated duration of your product.

The estimation of duration is made on the basis of the design calculations and the test results performed on prototypes. In fact, as it is an estimate, it does not represent any guarantee regarding the effective duration of the product.



Length of the panel	≥ 1.5 m	1.5 - 1.8 m	1.8 - 2 m	2 - 2.3 m	
Weight of the panel	<b>Fatigue index</b>				
	< 100 Kg	0 %	10 %	20 %	30 %
	100 - 250 Kg	10 %	20 %	30 %	40 %
	250 - 300 Kg	20 %	30 %	40 %	50 %
	300 - 330 Kg	30 %	40 %	50 %	-
330 - 400 Kg	40 %	50 %	-	-	
<b>Environmental temperature exceeding 40°C or below 0°C or humidity exceeding 80%</b>				15 %	
<b>Blind panel</b>				15 %	
<b>Installation in windy area</b>				15 %	

**Example of the duration calculation of an X-Metro gear motor (refer to Table 1 and Graph A):**

- panel length: 1.7 m and panel weight: 200 Kg = fatigue index: 20%
  - Installation in windy areas = fatigue index: 15%
  - does not have other elements of fatigue
- Total fatigue index = 35%
- Estimated duration = 120.000 manoeuvre cycles

## EC DECLARATION OF CONFORMITY

**Note** - The content of this declaration corresponds with that declared in the latest revision available, before printing this manual, of the official document deposited in the Nice Spa. head offices. This text has been re-adapted for editorial reasons.

**Number:** 320/XME

**Revision:** 0

The undersigned Luigi Paro in the quality of Managing Director, declares under his own liability that the product:

**Manufacturer's name:** NICE s.p.a.  
**Address:** Via Pezza Alta 13, Z.I. Rustignè, 31046 Oderzo (TV) Italia  
**Type:** Underground 24Vdc electro-mechanical gear motor  
**Models:** XME2024, XME2124  
**Accessories:** No accessory

Is in compliance with that envisioned by the following European Community Directives:

- 98/37/CE (89/392/EEC modified) 98/37/CE DIRECTIVE OF THE EUROPEAN PARLIAMENT AND COUNCIL dated 22 June 1998 concerning the harmonisation of legislations of the Member States relative to machinery

As envisioned by the 98/37/CE Directive, it is warned that the above-indicated product cannot be started-up until the machine, in which the product is incorporated, has not been identified and declared in compliance with the 98/37/CE Directive.

Moreover, the product results in compliance with that envisioned by the following European Community Directives, as modified by the 93/68/EEC Council Directive dated 22 July 1993:

- 2006/95/EEC (ex 73/23/CE Directive) 2006/95/CE DIRECTIVE OF THE EUROPEAN PARLIAMENT AND COUNCIL dated 12 December 2006 concerning the harmonisation of the legislations of the Member States relative to electric material destined to be used within certain voltage limits According to the following harmonised Standards: EN 60335-1:1994+A11:1995+A12:1996+A13:1998+A14:1998+A15:2000+A2:2000+A16:2001
- 2004/108/EEC (ex 89/336/EEC Directive) 2004/108/CE DIRECTIVE OF THE EUROPEAN PARLIAMENT AND COUNCIL dated 15 December 2004 concerning the harmonisation of the legislations of the Member States relative to electromagnetic compatibility and which repeals the 89/336/EEC Directive. According to the following harmonised Standards: EN 61000-6-2:2005; EN 61000-6-3:2007

Moreover, it is in compliance, limitedly for the applicable arts, with the following Standards:

EN 60335-1:2002+A1:2004+A11:2004+A12:2006+ A2:2006, EN 60335-2-103:2003, EN 13241-1:2003; EN 12453:2002; EN 12445:2002; EN 12978:2003

Oderzo, 15 April 2009

Luigi Paro (Managing Director)

# Sommario

1 - AVVERTENZE E PRECAUZIONI GENERALI PER LA SICUREZZA	1
2 - DESCRIZIONE DEL PRODOTTO E DESTINAZIONE D'USO	1
3 - INSTALLAZIONE	1
3.1 - Verifiche preliminari all'installazione	1
3.2 - Idoneità del cancello da automatizzare e dell'ambiente circostante	2
3.3 - Limiti d'impiego del prodotto	2
3.4 - Lavori di predisposizione all'installazione	2
3.5 - Installazione	2
3.6 - Sblocco e blocco manuale del motoriduttore	2
4 - COLLEGAMENTI ELETTRICI	2
5 - COLLAUDO E MESSA IN SERVIZIO	2
5.1 - Collaudo	3
5.2 - Messa in servizio	3
6 - MANUTENZIONE DEL PRODOTTO	3
SMALTIMENTO DEL PRODOTTO	3
CARATTERISTICHE TECNICHE DEL PRODOTTO	3
Durabilità del prodotto	4
DICHIARAZIONE CE DI CONFORMITÀ	4
ISTRUZIONI ED AVVERTENZE DESTINATE ALL'UTILIZZATORE (allegato ritagliabile)	II
IMMAGINI	VIII - XIII

## 1 AVVERTENZE E PRECAUZIONI GENERALI PER LA SICUREZZA

### Avvertenze per la sicurezza

- **ATTENZIONE!** – Il presente manuale contiene importanti istruzioni e avvertenze per la sicurezza delle persone. Un'installazione errata può causare gravi ferite. Prima di iniziare il lavoro è necessario leggere attentamente tutte le parti del manuale. In caso di dubbi, sospendere l'installazione e richiedere chiarimenti al Servizio Assistenza Nice.
- **ATTENZIONE!** – Istruzioni importanti: conservare questo manuale per eventuali interventi futuri di manutenzione e di smaltimento del prodotto.
- **ATTENZIONE!** – Secondo la più recente legislazione europea, la realizzazione di una porta o di un cancello automatico deve rispettare le norme previste dalla Direttiva 2006/42/CE (ex 98/37/CE) (Direttiva Macchine) e in particolare, le norme EN 12445; EN 12453; EN 12635 e EN 13241-1, che consentono di dichiarare la conformità dell'automazione. **In considerazione di ciò, tutte le operazioni di installazione, di collegamento, di collaudo e di manutenzione del prodotto devono essere effettuate esclusivamente da un tecnico qualificato e competente!**

### Avvertenze per l'installazione

- Prima di iniziare l'installazione verificare se il presente prodotto è adatto ad automatizzare il vostro cancello o portone (vedere capitolo 3 e le "Caratteristiche tecniche del prodotto"). Se non è adatto, NON procedere all'installazione.
- **Tutte le operazioni di installazione e di manutenzione devono avvenire con l'automazione scollegata dall'alimentazione elettrica.** Se il dispositivo di sconnessione dell'alimentazione non è visibile dal luogo dove è posizionato l'automatismo, prima di iniziare il lavoro è necessario attaccare sul dispositivo di sconnessione un cartello con la scritta "ATTENZIONE! MANUTENZIONE IN CORSO".
- Durante l'installazione maneggiare con cura l'automatismo evitando schiacciamenti, urti, cadute o contatto con liquidi di qualsiasi natura. Non mettere il prodotto vicino a fonti di calore, né esporlo a fiamme libere. Tutte queste azioni possono danneggiarlo ed essere causa di malfunzionamenti o situazioni di pericolo. Se questo accade, sospendere immediatamente l'installazione e rivolgersi al Servizio Assistenza Nice.
- Non eseguire modifiche su nessuna parte del prodotto. Operazioni non permesse possono causare solo malfunzionamenti. Il costruttore declina ogni responsabilità per danni derivanti da modifiche arbitrarie al prodotto.
- Se il cancello o il portone da automatizzare è dotato di una porta pedonale occorre predisporre l'impianto con un sistema di controllo che inibisca il funzionamento del motore quando la porta pedonale è aperta.
- Il materiale dell'imballo del prodotto deve essere smaltito nel pieno rispetto della normativa locale.

## 2 DESCRIZIONE DEL PRODOTTO E DESTINAZIONE D'USO

Il presente prodotto è destinato ad essere utilizzato per automatizzare cancelli o portoni ad ante battenti, in ambito esclusivamente residenziale.

**ATTENZIONE!** – **Qualsiasi altro uso diverso da quello descritto e in condizioni ambientali diverse da quelle riportate in questo manuale è da considerarsi improprio e vietato!**

Il prodotto è un motoriduttore elettromeccanico, provvisto di un motore in corrente continua a 24 V. Il motoriduttore viene alimentato dalla centrale di comando esterna a cui deve essere collegato.

In caso d'interruzione dell'energia elettrica (*black-out*), è possibile muovere le ante del cancello sbloccando il motoriduttore con l'apposita chiave; per eseguire la manovra manuale vedere capitolo 3.6.

Il prodotto è disponibile in 2 versioni:

- XME2024 senza encoder, adatto per centrali modello MC424.
- XME2124 con encoder, adatto per centrali modello MC824H

**Non utilizzare i motoriduttori con centrali non compatibili.**

## 3 INSTALLAZIONE

### 3.1 - Verifiche preliminari all'installazione

Prima di procedere all'installazione, è necessario verificare l'integrità dei componenti del prodotto, l'adeguatezza del modello scelto e l'idoneità dell'ambiente destinato all'installazione.

**IMPORTANTE** – Il motoriduttore non può automatizzare un cancello manuale che non abbia una struttura meccanica efficiente e sicura. Inoltre, non può risolvere i difetti causati da una sbagliata installazione o da una cattiva manutenzione del cancello stesso.

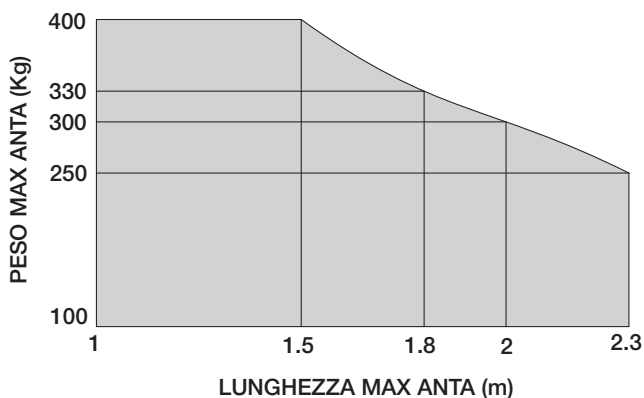


### 3.2 - Idoneità del cancello da automatizzare e dell'ambiente circostante

- Verificare che la struttura meccanica del cancello sia adatta ad essere automatizzata e conforme alle norme vigenti sul territorio (*eventualmente fare riferimento ai dati riportati sull'etichetta del cancello*).
- Muovendo manualmente l'anta del cancello in *Apertura* e in *Chiusura*, verificare che il movimento avvenga con attrito uguale e costante in ogni punto della corsa (*non devono esserci momenti di maggiore sforzo*).
- Verificare che l'anta del cancello resti in equilibrio, cioè che non si muova se portata manualmente in una qualsiasi posizione e lasciata ferma.
- Verificare che lo spazio intorno al motoriduttore consenta di sbloccare manualmente le ante del cancello, in modo facile e sicuro.
- Prevedere dei fermi di finecorsa a terra sia per l'apertura sia per la chiusura del cancello.
- Verificare che la zona di fissaggio del motoriduttore sia compatibile con l'ingombro di quest'ultimo (fig. 1).

### 3.3 - Limiti d'impiego del prodotto

Prima di eseguire l'installazione del prodotto, verificare che l'anta del cancello abbia dimensioni e peso rientranti nei limiti riportati nel **grafico 1**; valutare anche le condizioni climatiche (es. vento forte) presenti nel luogo d'installazione, possono ridurre notevolmente i valori riportati nel grafico.



### 3.4 - Lavori di predisposizione all'installazione

La **fig. 2** mostra un esempio di impianto di automatizzazione realizzato con componenti Nice. Questi componenti sono posizionati secondo uno schema tipico ed usuale.

Facendo riferimento alla **fig. 2**, stabilire la posizione approssimativa in cui verrà installato ciascun componente previsto nell'impianto e lo schema di collegamento più appropriato.

#### Componenti utili per realizzare un impianto completo (fig. 2):

- A - Motoriduttori elettromeccanici
- B - Centrale di comando
- C - Coppia di fotocellule
- D - Colonne per coppia di fotocellule (C)
- E - Segnalatore lampeggiante con antenna incorporata
- F - Selettore a chiave o tastiera digitale
- G - Coppia di arresti meccanici in apertura e in chiusura
- H - Selettore a chiave

### 3.5 - Installazione

01. Eseguire uno scavo di fondazione di dimensioni generose, per collocare la cassa di fondazione (**fig. 3**); prevedere una conduttura di scarico per il drenaggio dell'acqua per evitarne il ristagno;
02. Collocare la cassa di fondazione all'interno dello scavo, con il foro allineato all'asse della cerniera superiore (**fig. 4**);
03. Prevedere un condotto per il passaggio del cavo di alimentazione e uno per il drenaggio dell'acqua;
04. Annegare nel calcestruzzo la cassa di fondazione, avendo cura di metterla perfettamente in bolla (**fig. 5**);
05. A questo punto, sulla parte inferiore dell'anta, effettuare 3 fori filettati M10 con profondità minima di 15 mm (**fig. 6**). *Nota - In alternativa alle viti, è possibile fissare la leva di aggancio per l'anta con una saldatura robusta*;
06. Fissare la leva di aggancio per l'anta utilizzando 3 viti (**fig. 6**);
07. **IMPORTANTE!** - Lubrificare la bronzina della cassa di fondazione (**fig. 7**);
08. Inserire nella bronzina della cassa di fondazione, la leva di aggancio già fissata all'anta (**fig. 8**);
09. Se il cancello dispone di propri arresti meccanici (**fig. 2 - G**) passare direttamente al punto 10. Altrimenti, se il cancello è sprovvisto di propri arresti meccanici oppure non si desidera che a finecorsa, tutta la spinta del motore sia applicata all'anta, è possibile utilizzare i finecorsa interni al motoriduttore e procedere come segue:
  - a) Inserire i grani di regolazione (sia per il finecorsa in apertura sia in chiusura) nei fori predisposti presenti sul supporto della cassa di fondazione:
    - **Apertura anta a 90°**: vedere **fig. 9** per l'anta sinistra e per l'anta destra.
    - **Apertura anta a 180°**: vedere **fig. 10**.
  - b) **Regolazione dei finecorsa (apertura e chiusura)**: awitare i finecorsa fino al raggiungimento del punto di battuta desiderato sia in apertura sia in chiusura; infine, aggiungere i dadi e se le posizioni dei finecorsa sono corrette, serrare con forza i dadi (**fig. 11**);

10. A questo punto, inserire il motore all'interno della cassa di fondazione spingendolo fino alla fine della cassa e in modo tale da far combaciare i fori di fissaggio presenti sul motoriduttore con quelli della cassa stessa (**fig. 12**);
11. Inserire nei fori le viti di fissaggio in dotazione (**fig. 13**) e avitarle leggermente fino a quando il motoriduttore si trova leggermente alzato rispetto al fondo della cassa;
12. Quindi, muovere lentamente l'anta per consentire l'innesto con il motore e poi stringere a fondo le viti di fissaggio (**fig. 14**);
13. Far passare il cavo di alimentazione attraverso la canalina precedentemente predisposta (**fig. 15**): per effettuare il collegamento elettrico alla centrale vedere capitolo 4 e fare riferimento al manuale della centrale stessa;
14. Posizionare i tre coperchi "A, B, C" rispettando la sequenza di seguito:
  - a) Appoggiare il coperchio superiore "A" alla cassa di fondazione e farlo scorrere fino alla battuta (**fig. 16 - 1**), contemporaneamente inserire nella fessura il coperchio "B" (**fig. 16 - 2**);
  - b) Fissare il coperchio "A" con le 3 viti in dotazione (**fig. 16 - 3**);
  - c) Fissare il coperchio inferiore "C" utilizzando le viti in dotazione (**fig. 16 - 4 e 5**).

### 3.6 - Sblocco e blocco manuale del motoriduttore

Per sbloccare e bloccare il motoriduttore, utilizzare la chiave triangolare in dotazione:

- **Sblocco:**
  01. Inserire la chiave in uno dei 2 fori laterali presenti sul coperchio superiore e ruotarla di 180°, indifferentemente in uno dei due sensi (**fig. 17**);
  02. Muovere manualmente l'anta e portarla nella posizione desiderata.
- **Blocco:**
  01. Inserire la chiave in uno dei 2 fori predisposti e ruotarla di 180°, indifferentemente in uno dei due sensi (**fig. 17**);
  02. L'anta si bloccherà alla prima manovra comandata dalla centrale.

## 4 COLLEGAMENTI ELETTRICI

#### Avvertenze:

- Il motoriduttore è fornito con un cavo di alimentazione elettrica lungo 2 m. Quindi, se si necessita di coprire una distanza maggiore per eseguire i collegamenti elettrici, è necessario utilizzare una scatola di derivazione (non fornita). **IMPORTANTE!** - È vietato eseguire aggiunte di cavo elettrico all'interno della cassa di fondazione.
- Eseguire i collegamenti elettrici con l'alimentazione di rete scollegata.

Per collegare il cavo di alimentazione alla centrale di comando vedere il manuale di quest'ultima e le seguenti indicazioni:

filo Blu	= Alimentazione motore 24 V
filo Marrone	= Alimentazione motore 24 V
filo Nero	= Encoder (solo versione XME2124)
filo Grigio	= Encoder (solo versione XME2124)
filo Giallo/Verde	= Terra

## 5 COLLAUDO E MESSA IN SERVIZIO

**ATTENZIONE!** - Le operazioni descritte in questo capitolo devono essere eseguite esclusivamente da personale qualificato ed esperto, rispettando le istruzioni del manuale, le leggi e le normative di sicurezza vigenti sul territorio.

Questa è la fase più importante nella realizzazione dell'automazione, al fine di garantire la massima sicurezza dell'impianto. La procedura di collaudo descritta può essere usata anche per verificare periodicamente i dispositivi che compongono l'automazione.

Le fasi del collaudo e della messa in servizio dell'automazione devono essere eseguite da personale qualificato ed esperto che dovrà farsi carico di stabilire le prove necessarie a verificare le soluzioni adottate nei confronti dei rischi presenti, e di verificare il rispetto di quanto previsto da leggi, normative e regolamenti: in particolare, di tutti i requisiti della norma EN 12445 che stabilisce i metodi di prova per la verifica degli automatismi per cancelli.

**ATTENZIONE!** - Prima di eseguire qualsiasi verifica è necessario scollegare qualsiasi sorgente di alimentazione elettrica.



## 5.1 - Collaudo

Ogni singolo componente dell'automazione, ad esempio bordi sensibili, fotocellule, arresto di emergenza, ecc. richiede una specifica fase di collaudo; per questi dispositivi si devono eseguire le procedure riportate nei rispettivi manuali istruzioni.

Per il collaudo di X-Metro, procedere nel modo seguente:

- 1 Verificare che sia stato rispettato rigorosamente, in materia di sicurezza, quanto previsto nel capitolo 1 - Avvertenze e precauzioni generali per la sicurezza;
- 2 Portare il cancello in posizione di chiusura;
- 3 Togliere qualsiasi sorgente di alimentazione elettrica alla centrale di comando;
- 4 Sbloccare il motoriduttore con l'apposita chiave, vedere paragrafo 3.6;
- 5 Aprire manualmente l'anta fino a raggiungere la posizione di massima apertura e verificare che durante il suo movimento non ci siano punti d'attrito;
- 6 Verificare che l'anta, lasciata ferma in una qualsiasi posizione della sua corsa, non si muova;
- 7 Verificare che i sistemi di sicurezza e gli arresti meccanici siano in buono stato;
- 8 Verificare che i collegamenti a vite siano avvitati ben stretti;
- 9 Se necessario pulire l'interno della cassa di fondazione e verificare che lo scarico dell'acqua funzioni correttamente;
- 10 Bloccare il motoriduttore con l'apposita chiave, vedere paragrafo 3.6;
- 11 Dare alimentazione elettrica alla centrale di comando;
- 12 Eseguire la misura della forza d'impatto secondo quanto previsto dalla norma EN 12445. Se il controllo della "forza motore" viene usato dalla Centrale come ausilio al sistema per la riduzione della forza di impatto, provare a regolare le funzioni che offrono parametri migliori;
- 13 Fissare in modo permanente, in una zona adiacente all'automazione, un'etichetta che descrive come sbloccare manualmente il motoriduttore.

## 5.2 - Messa in servizio

La messa in servizio può avvenire solo dopo aver eseguito con esito positivo tutte le fasi di collaudo del motoriduttore e degli altri dispositivi presenti. Per eseguire la messa in servizio fare riferimento al manuale istruzioni della Centrale di comando.

**IMPORTANTE** – È vietata la messa in servizio parziale o in situazioni "provvisorie".

## 6 MANUTENZIONE DEL PRODOTTO

in generale l'automazione ha bisogno di una manutenzione periodica affinché possa funzionare più a lungo possibile ed in completa sicurezza. Occorre pianificare la manutenzione dell'automazione con frequenza periodica. È necessaria una manutenzione programmata al massimo ogni 6 mesi.

Per eseguire le verifiche di manutenzione ripetere la procedura descritta nel capitolo 5.1 - Collaudo.

**Importante!** – Prima di eseguire qualsiasi verifica è necessario scollegare qualsiasi sorgente di alimentazione elettrica.

## SMALTIMENTO DEL PRODOTTO

**Questo prodotto è parte integrante dell'automazione, e dunque, deve essere smaltito insieme con essa.**

Come per le operazioni d'installazione, anche al termine della vita di questo prodotto, le operazioni di smantellamento devono essere eseguite da personale qualificato.

Questo prodotto è costituito da vari tipi di materiali: alcuni possono essere riciclati, altri devono essere smaltiti. Informatevi sui sistemi di riciclaggio o smaltimento previsti dai regolamenti vigenti sul vostro territorio, per questa categoria di prodotto.

**Attenzione!** – alcune parti del prodotto possono contenere sostanze inquinanti o pericolose che, se disperse nell'ambiente, potrebbero provocare effetti dannosi sull'ambiente stesso e sulla salute umana.

Come indicato dal simbolo a lato, è vietato gettare questo prodotto nei rifiuti domestici. Eseguire quindi la "raccolta separata" per lo smaltimento, secondo i metodi previsti dai regolamenti vigenti sul vostro territorio, oppure riconsegnare il prodotto al venditore nel momento dell'acquisto di un nuovo prodotto equivalente.



**Attenzione!** – i regolamenti vigenti a livello locale possono prevedere pesanti sanzioni in caso di smaltimento abusivo di questo prodotto.

## CARATTERISTICHE TECNICHE DEL PRODOTTO

**AVVERTENZE:** • Tutte le caratteristiche tecniche riportate, sono riferite ad una temperatura ambientale di 20°C (± 5°C). • Nice S.p.a. si riserva il diritto di apportare modifiche al prodotto in qualsiasi momento lo riterrà necessario, mantenendone comunque la stessa funzionalità e destinazione d'uso.

■ Tipologia	Motoriduttore elettromeccanico per cancelli o portoni ad ante battenti
■ Alimentazione	24 V ~
■ Assorbimento di picco	5 A
■ Assorbimento massimo	2 A
■ Potenza di picco	120 W
■ Potenza massima	50 W
■ Grado di protezione	IP 67
■ Corsa	da 0° a 90° (±10°) oppure da 0° a 180° (±10°) [non sono possibili aperture intermedie fra 90° e 180°]
■ Velocità a vuoto	1.25 rpm
■ Velocità alla coppia nominale	1 rpm
■ Coppia massima	250 Nm
■ Coppia nominale	120 Nm
■ Temperatura di funzionamento	da -20 °C a +50 °C
■ Cicli/ora alla coppia nominale	60
■ Durabilità	Stimata tra circa 80.000 e 200.000 cicli di manovre, secondo le condizioni riportate nelle Tabella 1
■ Dimensioni	230 mm x 206 mm x h 88 mm
■ Peso	15 Kg (motoriduttore con cassa di fondazione)

## Durabilità del prodotto

La durabilità è la vita economica media del prodotto. Il valore della durabilità è fortemente influenzato dall'indice di gravosità delle manovre eseguite dall'automatismo: cioè la somma di tutti i fattori che contribuiscono all'usura del prodotto (vedere Tabella 1).

Per stabilire la durabilità probabile del vostro automatismo procedere nel modo seguente:

**01.** Calcolare l'indice di gravosità sommando tra loro i valori in percentuale delle voci presenti nella **Tabella 1**;

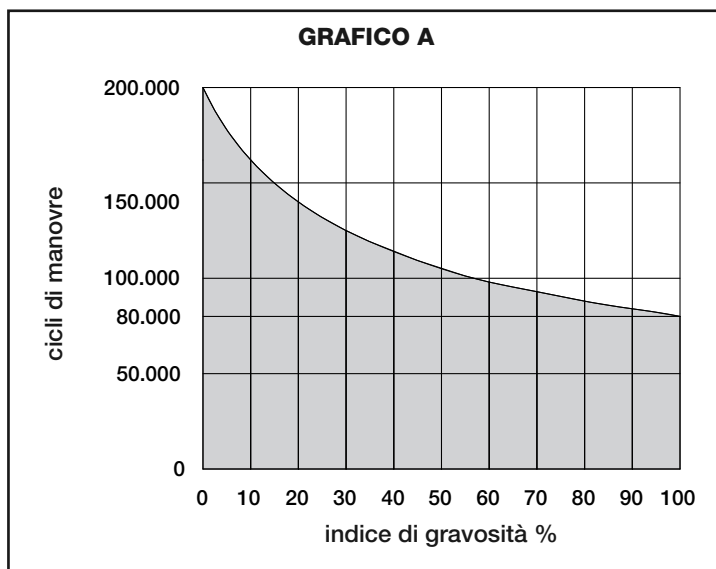
**02.** Nel **Grafico A** dal valore appena trovato, tracciare una linea verticale fino ad incrociare la curva; da questo punto tracciare una linea orizzontale fino ad incrociare la linea dei "cicli di manovre". Il valore determinato è la durabilità stimata del vostro prodotto.

La stima di durabilità viene effettuata sulla base dei calcoli progettuali e dei risultati di prove effettuate su prototipi. Infatti, essendo una stima, non rappresenta alcuna garanzia sull'effettiva durata del prodotto.

**TABELLA 1**

Lunghezza dell'anta	≥ 1.5 m	1.5 - 1.8 m	1.8 - 2 m	2 - 2.3 m
	<b>Indice di gravosità</b>			
<b>Peso dell'anta</b>				
< 100 Kg	0 %	10 %	20 %	30 %
100 - 250 Kg	10 %	20 %	30 %	40 %
250 - 300 Kg	20 %	30 %	40 %	50 %
300 - 330 Kg	30 %	40 %	50 %	-
330 - 400 Kg	40 %	50 %	-	-
<b>Temperatura ambientale superiore a 40°C o inferiore a 0°C o umidità superiore all'80%</b>				15 %
<b>Anta cieca</b>				15 %
<b>Installazione in zona ventosa</b>				15 %

**GRAFICO A**



**Esempio del calcolo di durabilità di un motoriduttore X-Metro (fare riferimento alla Tabella 1 e al Grafico A):**

- lunghezza dell'anta: 1,7 m e peso dell'anta: 200 Kg = indice di gravosità: 20%

- Installazione in zone ventose = indice di gravosità: 15%

- non presenti altri elementi di affaticamento

Indice di gravosità totale = 35%

Durabilità stimata = 120.000 cicli di manovre

## DICHIARAZIONE CE DI CONFORMITÀ

**Nota** - Il contenuto di questa dichiarazione corrisponde a quanto dichiarato nell'ultima revisione disponibile, prima della stampa di questo manuale, del documento ufficiale depositato presso la sede di Nice Spa. Il presente testo è stato riadattato per motivi editoriali.

Numero: 320/XME

Revisione: 0

Il sottoscritto Luigi Paro in qualità di Amministratore Delegato, dichiara sotto la propria responsabilità che il prodotto:

**Nome produttore:** NICE s.p.a.  
**Indirizzo:** Via Pezza Alta 13, Z.I. Rustignè, 31046 Oderzo (TV) Italia  
**Tipo:** Motoriduttore elettromeccanico 24Vd.c. interrato  
**Modelli:** XME2024, XME2124  
**Accessori:** Nessun accessorio

Risulta conforme a quanto previsto dalle seguenti direttive comunitarie:

- 98/37/CE (89/392/CEE modificata) DIRETTIVA 98/37/CE DEL PARLAMENTO EUROPEO E DEL CONSIGLIO del 22 giugno 1998 concernente il ravvicinamento delle legislazioni degli Stati membri relative alle macchine

Come previsto dalla direttiva 98/37/CE si avverte che non è consentita la messa in servizio del prodotto sopra indicato finché la macchina, in cui il prodotto è incorporato, non sia stata identificata e dichiarata conforme alla direttiva 98/37/CE.

Inoltre il prodotto risulta conforme a quanto previsto dalle seguenti direttive comunitarie, così come modificate dalla Direttiva 93/68/CEE del consiglio del 22 Luglio 1993:

- 2006/95/CEE(ex direttiva 73/23/CE) DIRETTIVA 2006/95/CE DEL PARLAMENTO EUROPEO E DEL CONSIGLIO del 12 dicembre 2006 concernente il ravvicinamento delle legislazioni degli Stati membri relative al materiale elettrico destinato ad essere adoperato entro taluni limiti di tensione Secondo le seguenti norme armonizzate: EN 60335-1:1994+A11:1995+A1:1996+A12:1996+A13:1998+A14:1998+A15:2000+A2:2000+A16:2001
- 2004/108/CEE(ex direttiva 89/336/CEE) DIRETTIVA 2004/108/CE DEL PARLAMENTO EUROPEO E DEL CONSIGLIO del 15 dicembre 2004 concernente il ravvicinamento delle legislazioni degli Stati membri relative alla compatibilità elettromagnetica e che abroga la direttiva 89/336/CEE Secondo le seguenti norme armonizzate: EN 61000-6-2:2005; EN 61000-6-3:2007

Inoltre risulta conforme; limitatamente per le parti applicabili, alle seguenti norme:

EN 60335-1:2002+A1:2004+A11:2004+A12:2006+ A2:2006, EN 60335-2-103:2003, EN 13241-1:2003; EN 12453:2002; EN 12445:2002; EN 12978:2003

Oderzo, 15 aprile 2009

Luigi Paro (Amministratore Delegato)

# Sommaire

1 - MISES EN GARDE ET PRÉCAUTIONS GÉNÉRALES DE SÉCURITÉ	1
2 - DESCRIPTION DU PRODUIT ET DESTINATION	1
3 - INSTALLATION	1
3.1 - Vérifications préalables à l'installation	1
3.2 - Adéquation du portail à automatiser et du milieu environnant	2
3.3 - Limites d'utilisation du produit	2
3.4 - Travaux de pré-installation	2
3.5 - Installation	2
3.6 - Déblocage et blocage du motoréducteur	2
4 - RACCORDEMENTS ÉLECTRIQUES	2
5 - TEST ET MISE EN SERVICE	2
5.1 - Test	3
5.2 - Mise en service	3
6 - MAINTENANCE DU PRODUIT	3
ÉLIMINATION DU PRODUIT	3
CARACTÉRISTIQUES TECHNIQUES DU PRODUIT	3
Durabilité du produit	4
DÉCLARATION CE DE CONFORMITÉ	4
INSTRUCTIONS ET MISES EN GARDE DESTINÉES À L'UTILISATEUR (annexe détachable)	II
IMAGES	VIII - XIII

## 1 MISES EN GARDE ET PRÉCAUTIONS GÉNÉRALES DE SÉCURITÉ

### Mises en garde de sécurité

- **ATTENTION !** – Ce manuel contient d'importantes instructions et mises en garde pour la sécurité des personnes. Une installation incorrecte peut provoquer de graves blessures. Avant de commencer le travail, il faut lire attentivement tout le manuel. En cas de doutes, suspendre l'installation et demander des éclaircissements au Service d'Assistance Nice.
- **ATTENTION !** – Instructions importantes : conserver ce manuel pour toute future intervention de maintenance et d'élimination du produit.
- **ATTENTION !** – Conformément à la législation européenne la plus récente, la réalisation d'une porte ou d'un portail automatique doit respecter les normes prévues par la Directive 2006/42/CE (ex 98/37/CE) (Directive Machines) et en particulier, les normes EN 12445 ; EN 12453 ; EN 12635 et EN 13241-1, qui permettent de déclarer la conformité de l'automatisation. Par conséquent, toutes les opérations d'installation, de raccordement, de test et de maintenance du produit doivent être effectuées exclusivement par un technicien qualifié et compétent !

### Mises en garde au sujet de l'installation

- Avant de commencer l'installation, vérifier si ce produit est adéquat pour automatiser votre portail ou votre porte (voir chapitre 3 et les "Caractéristiques techniques du produit"). S'il n'est pas adéquat, NE PAS procéder à l'installation.
- **Toutes les opérations d'installation et de maintenance doivent s'effectuer quand l'automatisation est débranchée de l'alimentation électrique.** Si le dispositif de coupure de l'alimentation n'est pas visible du lieu où est situé l'automatisme, avant de commencer le travail, il faut poser sur le dispositif de déconnexion un panneau portant le texte "ATTENTION ! MAINTENANCE EN COURS".
- Au cours de l'installation, manipuler soigneusement l'automatisme et éviter tout écrasement, choc, chute ou contact avec des liquides de n'importe quelle sorte. Ne pas mettre le produit à proximité de sources de chaleur ni l'exposer à des flammes vives. Toutes ces actions peuvent l'endommager et causer des dysfonctionnements ou des situations de danger. Si c'était le cas, suspendre immédiatement l'installation et s'adresser au Service d'Assistance Nice.
- Ne modifier aucune partie du produit. Des opérations non autorisées ne peuvent causer que des dysfonctionnements. Le fabricant décline toute responsabilité quant aux dommages provoqués par des modifications arbitraires du produit.
- Si le portail ou la porte à automatiser est équipé d'une porte piétonnière, il faut doter l'installation d'un système de contrôle qui empêche le fonctionnement du moteur quand la porte piétonnière est ouverte.
- Le matériel de l'emballage du produit doit être éliminé en respectant pleinement les normes locales.

## 2 DESCRIPTION DU PRODUIT ET DESTINATION

Le présent produit est destiné à être utilisé pour automatiser des portails ou des portes battantes à vantaux, dans le domaine résidentiel exclusivement.

**ATTENTION !** – Toute utilisation autre que celle décrite et dans des conditions ambiantes différentes de celles indiquées dans ce manuel doit être considérée impropre et interdite !

Le produit est un motoréducteur électromécanique, doté d'un moteur en courant continu 24 V. Le motoréducteur est alimenté par la centrale de commande externe à laquelle il doit être raccordé.

En cas de coupure de l'énergie électrique (*black-out*), il est possible de déplacer le vantail du portail en débloquent le motoréducteur à l'aide de la clé prévue ; pour effectuer la manœuvre manuelle, voir chapitre 3.6.

Il produit est disponible en 2 versions :

- XME2024 sans encodeur, adapté aux centrales modèle MC424.
- XME2124 avec encodeur, adapté aux centrales modèle MC824H

**Ne pas utiliser les motoréducteurs avec des centrales qui ne seraient pas compatibles.**

## 3 INSTALLATION

### 3.1 - Vérifications préalables à l'installation

Avant de procéder à l'installation, il faut vérifier le bon état des composants du produit, la conformité du modèle choisi et l'adéquation du local destiné à l'installation.

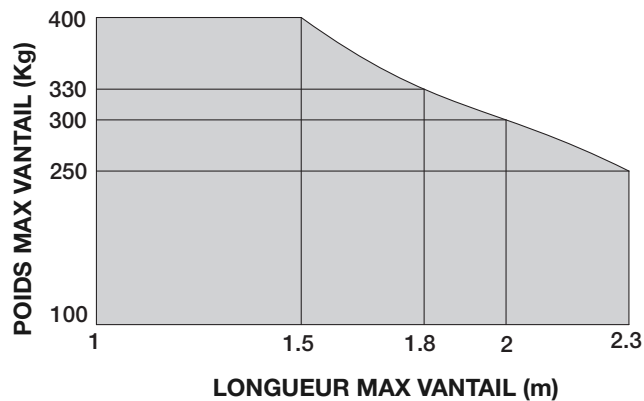
**IMPORTANT** – Le motoréducteur ne peut pas automatiser un portail manuel qui ne serait pas doté d'une structure mécanique efficace et sûre. Il ne peut pas non plus résoudre les défauts causés par une installation erronée ou par une mauvaise maintenance du portail.

### 3.2 - Adéquation du portail à automatiser et du milieu environnant

- Vérifier que la structure mécanique du portail soit adéquate pour être automatisée et conforme aux normes en vigueur sur le territoire (*consulter éventuellement les données reprises sur l'étiquette du portail*).
- En déplaçant manuellement le vantail du portail en *Ouverture* et en *Fermeture*, vérifier que le mouvement ait lieu avec un frottement égal et constant en chaque point de la course (*il ne doit pas y avoir de moments de plus grand effort*).
- Vérifier que le vantail du portail reste en équilibre, c'est-à-dire qu'il ne bouge pas s'il est situé manuellement dans une position quelconque et laissé immobile.
- Vérifier que l'espace autour du motoréducteur permette de débloquent manuellement les vantaux du portail, de façon aisée et sûre.
- Prévoir des arrêtoirs de fin de course au sol tant pour l'ouverture que pour la fermeture du portail.
- Vérifier que la zone de fixation du motoréducteur soit compatible avec les dimensions de ce dernier (**fig. 1**).

### 3.3 - Limites d'utilisation du produit

Avant d'installer le produit, vérifier que le vantail du portail présente des dimensions et un poids compris dans les limites reprises au **graphique 1** ; évaluer aussi les conditions climatiques (ex. vent fort) existantes dans le lieu d'installation, elles peuvent réduire considérablement les valeurs reprises sur le graphique.



### 3.4 - Travaux de pré-installation

La **fig. 2** montre un exemple d'installation d'automatisation exécutée avec des composants Nice. Ces composants sont placés selon un schéma typique et habituel. En se basant sur la **fig. 2**, définir la position approximative où sera installé chaque composant prévu sur l'installation ainsi que le schéma de raccordement le plus approprié.

#### Composants utiles pour réaliser une installation complète (**fig. 2**):

- A - Motoréducteurs électromécaniques
- B - Centrale de commande
- C - Paire de photocellules
- D - Colonnes pour paire de photocellules (C)
- E - Signal d'avertissement clignotant avec antenne incorporée
- F - Clavier numérique
- G - Paire d'arrêtoirs mécaniques en ouverture et en fermeture
- H - Sélecteur à clé

### 3.5 - Installation

01. Exécuter une excavation de fondation de grandes dimensions, pour installer la caisse de fondation (**fig. 3**) : prévoir un conduit d'écoulement pour le drainage de l'eau pour éviter sa stagnation ;
02. Placer la caisse de fondation dans l'excavation, avec son orifice aligné sur l'axe de la charnière supérieure (**fig. 4**) ;
03. Prévoir un conduit pour le passage du câble d'alimentation et un autre pour le drainage de l'eau ;
04. Noyer la caisse de fondation dans le béton, en veillant à la mettre parfaitement à niveau (**fig. 5**) ;
05. Ensuite, sur la partie inférieure du vantail, effectuer 3 orifices filetés M10 d'une profondeur minimale de 15 mm (**fig. 6**). *Remarque – Comme alternative aux vis, il est possible de fixer le levier d'accrochage pour le vantail avec une soudure résistante* ;
06. Fixer le levier d'accrochage pour le vantail en utilisant 3 vis (**fig. 6**) ;
07. **IMPORTANT ! – Lubrifier le glisseur de la caisse de fondation (**fig. 7**) ;**
08. Insérer dans le glisseur de la caisse de fondation, le levier d'accrochage déjà fixé au vantail (**fig. 8**) ;
09. Si le portail est doté de ses propres arrêtoirs mécaniques (**fig. 2 - G**) passer directement au point 10. Dans le cas contraire, si le portail est dépourvu de ses propres arrêtoirs mécaniques ou si nous ne souhaitons pas qu'en fin de course, toute la poussée du moteur soit appliquée au vantail, nous pouvons utiliser les fins de course internes au motoréducteur et procéder de la façon suivante :
  - a) Insérer les goujons de réglage (tant pour le fin de course en ouverture

qu'en fermeture) dans les orifices prévus, situés sur le support de la caisse de fondation :

- **Ouverture vantail à 90°**: voir **fig. 9** pour le vantail gauche et pour le vantail droit.
  - **Ouverture vantail à 180°**: voir **fig. 10**.
  - b) **Réglage des fins de course (ouverture et fermeture)** : visser les fins de course jusqu'à atteindre le point de butée souhaité tant en ouverture qu'en fermeture ; finalement, ajouter les écrous et si les positions du fin de course sont correctes, serrer fortement les écrous (**fig. 11**) ;
10. Introduire, alors, le moteur à l'intérieur de la caisse de fondation en le poussant jusqu'au fond de la caisse et de façon à faire coïncider les orifices de fixation présents sur le motoréducteur avec ceux de la caisse (**fig. 12**) ;
  11. Insérer les vis de fixation fournies dans les orifices (**fig. 13**) et les visser légèrement jusqu'à ce que le moteur se trouve légèrement relevé par rapport au fond de la caisse ;
  12. Ensuite, déplacer lentement le vantail pour permettre son accouplement avec le moteur et ensuite serrer les vis de fixation à fond (**fig. 14**) ;
  13. Faire passer le câble d'alimentation à travers le caniveau précédemment installé (**fig. 15**) : pour effectuer la connexion électrique à la centrale, voir le chapitre 4 et consulter le manuel de la centrale ;
  14. Positionner les trois couvercles "A, B, C" en respectant l'ordre ci-dessous :
    - a) Appuyer le couvercle supérieur "A" à la caisse de fondation et le faire coulisser jusqu'en butée (**fig. 16 - 1**), simultanément insérer dans la fente le couvercle "B" (**fig. 16 - 2**)
    - b) Fixer le couvercle "A" avec les 3 vis fournies (**fig. 16 - 3**)
    - c) Fixer le couvercle inférieur "C" en utilisant la vis fournie (**fig. 16 - 4 et 5**).

### 3.6 - Déblocage et blocage manuel du motoréducteur

Pour débloquent et bloquer le motoréducteur, utiliser la clé triangulaire fournie :

#### • Déblocage :

01. Insérer la clé dans un des 2 orifices latéraux présents sur le couvercle supérieur et la tourner de 180°, dans un des deux sens indifféremment (**fig. 17**) ;
02. Déplacer manuellement le vantail et le situer dans la position souhaitée.

#### • Blocage :

01. Insérer la clé dans un des 2 orifices prévus et la tourner de 180°, dans un des deux sens indifféremment (**fig. 17**) ;
02. Le vantail se bloquera à la première manœuvre commandée depuis la centrale.

## 4 RACCORDEMENTS ÉLECTRIQUES

#### Mises en garde :

- Le motoréducteur est doté d'un câble d'alimentation électrique d'une longueur de 2 m. Par conséquent, s'il fallait couvrir une distance supérieure pour effectuer les connexions électriques, il faudra utiliser une boîte de dérivation (non fournie). **IMPORTANT ! – Il est interdit d'effectuer des ajouts de câble électrique à l'intérieur de la caisse de fondation.**
- **Effectuer les raccordements électriques après avoir débranché l'alimentation de secteur.**

Pour connecter le câble d'alimentation à la centrale de commande, consulter le manuel de la centrale et les indications suivantes :

fil Bleu	=Alimentation moteur 24 V
fil Marron	=Alimentation moteur 24 V
fil Noir	=Encodeur (seulement version XME2124)
fil Gris	=Encodeur (seulement version XME2124)
fil Jaune/Vert	=Terre

## 5 TEST ET MISE EN SERVICE

**ATTENTION ! – Les opérations décrites dans ce chapitre doivent être effectuées exclusivement par du personnel qualifié et expert, en respectant les instructions du manuel, les lois et les normes de sécurité en vigueur sur le territoire.**

Ceci constitue la phase la plus importante de la réalisation de l'automatisation afin de garantir le maximum de sécurité de l'installation. La procédure de test décrite peut aussi être utilisée pour vérifier périodiquement les dispositifs qui composent l'automatisme.

Les phases de test et de mise en service de l'automatisme doivent être effectuées par du personnel qualifié et expert qui devra se charger de définir les essais nécessaires pour vérifier les solutions adoptées vis-à-vis des risques présents et de vérifier le respect de toutes les dispositions prévues par les lois, les normes et les règlements : en particulier, de toutes les exigences de la norme EN 12445 qui établit les méthodes de test pour la vérification des automatismes pour portails.

**ATTENTION ! – Avant d'effectuer n'importe quelle vérification, il faut débrancher toutes les sources d'alimentation électrique.**

## 5.1 - Test

Chaque composant individuel de l'automatisme, par exemple les bords sensibles, les photocellules, l'arrêt d'urgence, etc., requiert une phase de test spécifique ; pour ces dispositifs, il faut suivre les procédures reprises dans les manuels d'instructions respectifs.

Pour exécuter le test du X-Metro, procéder de la façon suivante :

- 1 Vérifier d'avoir respecté scrupuleusement, en matière de sécurité, ce qui est prévu au chapitre 1 - Mises en garde et précautions générales de sécurité ;
- 2 Situer le portail dans la position de fermeture ;
- 3 Débrancher toutes les sources d'alimentation électrique à la centrale de commande ;
- 4 Débloquer le motoréducteur à l'aide de la clé appropriée, voir paragraphe 3.6 ;
- 5 Ouvrir manuellement le vantail jusqu'à atteindre la position d'ouverture maximale et vérifier que pendant son mouvement, il n'y ait pas de points de frottement ;
- 6 Vérifier que le vantail, laissé immobile dans une position quelconque de sa course, ne bouge pas ;
- 7 Vérifier que les systèmes de sécurité et les arrêteurs mécaniques soient en bon état ;
- 8 Vérifier que les connexions à vis soient serrées fermement ;
- 9 Le cas échéant, nettoyer l'intérieur de la caisse de fondation et vérifier que l'écoulement de l'eau fonctionne correctement ;
- 10 Bloquer le motoréducteur à l'aide de la clé appropriée, voir paragraphe 3.6 ;
- 11 Brancher l'alimentation électrique à la centrale de commande ;
- 12 Effectuer la mesure de la force d'impact selon les dispositions prévues par la norme EN 12445. Si le contrôle de la "force moteur" est utilisé par la Centrale comme auxiliaire au système pour la réduction de la force d'impact, essayer de régler les fonctions qui offrent de meilleurs paramètres ;
- 13 Fixer de façon permanente, dans une zone adjacente à l'automatisme, une étiquette qui décrit comment débloquer manuellement le motoréducteur.

## 5.2 - Mise en service

La mise en service ne peut avoir lieu qu'après avoir effectué positivement toutes les phases de test du motoréducteur et des autres dispositifs présents. Pour effectuer la mise en service, consulter le manuel d'instructions de la Centrale de commande.

**IMPORTANT** – La mise en service partielle ou en situations "provisoires" est interdite.

# 6 MAINTENANCE DU PRODUIT

en général, l'automatisme a besoin d'une maintenance périodique pour pouvoir fonctionner le plus longtemps possible et en totale sécurité. Il faut planifier la maintenance de l'automatisme à une fréquence périodique. Il faut programmer une maintenance au maximum tous les 6 mois.

Pour effectuer les vérifications de maintenance, répéter la procédure décrite au chapitre 5.1 - Test.

**Important !** – Avant d'effectuer n'importe quelle vérification, il faut débrancher toutes les sources d'alimentation électrique.

## ÉLIMINATION DU PRODUIT

**Ce produit fait partie intégrante de l'automatisation et il doit donc être éliminé en même temps que celle-ci.**

Comme pour les opérations d'installation, à la fin de la vie de ce produit, les opérations de démantèlement doivent aussi être effectuées par du personnel qualifié.

Ce produit se compose de différents types de matériaux : certains peuvent être recyclés, d'autres doivent être éliminés. Informez-vous sur les systèmes de recyclage ou d'élimination prévus par les règlements en vigueur sur votre territoire pour cette catégorie de produit.

**Attention !** – certaines parties du produit peuvent contenir des substances polluantes ou dangereuses qui, si elles sont jetées dans l'environnement, pourraient avoir des effets nocifs sur l'environnement et sur la santé des personnes.

Comme indiqué par le symbole ci-contre, il est interdit de jeter ce produit avec les déchets domestiques. Effectuer donc le "ramassage séparé" pour l'élimination, selon les méthodes prévues par les règlements en vigueur sur votre territoire ou remettre le produit au vendeur au moment de l'achat d'un nouveau produit équivalent.



**Attention !** – les règlements en vigueur au niveau local peuvent prévoir de lourdes sanctions en cas d'élimination abusive de ce produit.

## CARACTÉRISTIQUES TECHNIQUES DU PRODUIT

**MISES EN GARDE :** • Toutes les caractéristiques techniques reprises se réfèrent à une température ambiante de 20°C (± 5°C). • Nice S.p.a. se réserve le droit d'apporter des modifications au produit à chaque fois qu'elle le jugera nécessaire, tout en conservant cependant ses fonctions et sa destination d'usage.

■ Type	Motoréducteur électromécanique pour portails ou portes battantes à vantaux
■ Alimentation	24 V ~
■ Absorption de pic	5 A
■ Absorption maximale	2 A
■ Puissance de pic	120 W
■ Puissance maximale	50 W
■ Degré de protection	IP 67
■ Course	de 0° à 90° (±10°) ou de 0° à 180° (±10°) [des ouvertures intermédiaires entre 90° et 180° ne sont pas possibles]
■ Vitesse à vide	1.25 rpm
■ Vitesse au couple nominal	1 rpm
■ Couple maximum	250 Nm
■ Couple nominal	120 Nm
■ Température de fonctionnement	de -20 °C à +50 °C
■ Cycles/heure au couple nominal	60
■ Durabilité	Estimée entre 80.000 et 200.000 cycles de manœuvres environ, selon les conditions reprises au Tableau 1
■ Dimensions	230 mm x 206 mm x h 88 mm
■ Poids	15 Kg (motoréducteur avec caisse de fondation)

## Durabilité du produit

La durabilité représente la vie économique moyenne du produit. La valeur de la durabilité est fortement influencée par l'indice de la pénibilité des manœuvres effectuées par l'automatisme : c'est-à-dire la somme de tous les facteurs qui contribuent à l'usure du produit (voir Tableau 1).

Pour établir la durabilité probable de votre automatisme, procéder de la façon suivante :

**01.** Calculer l'indice de pénibilité en additionnant entre elles les valeurs en pourcentage des entrées présentes sur le **Tableau 1** ;

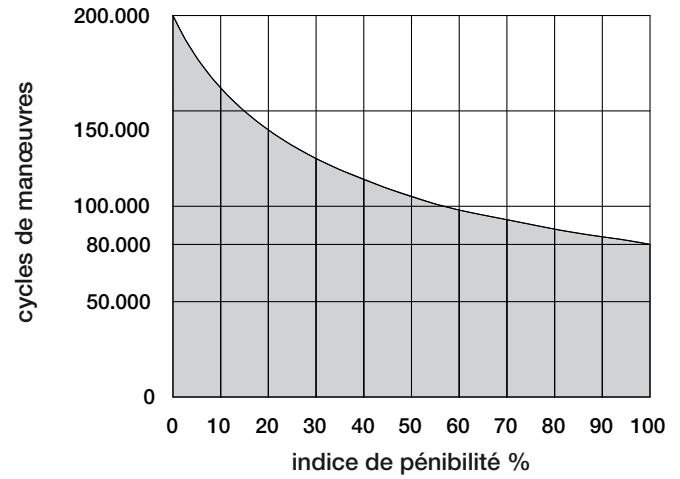
**02.** Sur le **Graphique A** à partir de la valeur que l'on vient de trouver, tracer une ligne verticale jusqu'à croiser la courbe ; ensuite tracer une ligne horizontale jusqu'à croiser la ligne des "cycles de manœuvres". La valeur déterminée représente la durabilité estimée de votre produit.

L'estimation de durabilité s'effectue sur la base des calculs conceptuels et des résultats de tests effectués sur prototypes. Étant donné qu'il s'agit en effet d'une estimation, elle ne constitue aucune garantie sur la durée effective du produit.

**TABLEAU 1**

Longueur du vantail	≥ 1.5 m	1.5 - 1.8 m	1.8 - 2 m	2 - 2.3 m
	<b>Indice de pénibilité</b>			
<b>Poids du vantail</b>				
< 100 Kg	0 %	10 %	20 %	30 %
100 - 250 Kg	10 %	20 %	30 %	40 %
250 - 300 Kg	20 %	30 %	40 %	50 %
300 - 330 Kg	30 %	40 %	50 %	-
330 - 400 Kg	40 %	50 %	-	-
<b>Température ambiante supérieure à 40°C ou inférieure à 0°C ou humidité supérieure à 80%</b>				15 %
<b>Vantail plein</b>				15 %
<b>Installation dans une zone venteuse</b>				15 %

**GRAPHIQUE A**



**Exemple du calcul de durabilité d'un motoréducteur X-Metro (se référer au Tableau 1 et au Graphique A):**

- longueur du vantail : 1,7 m et poids du vantail : 200 Kg = indice de pénibilité : 20%

- Installation dans des zones venteuses = indice de pénibilité : 15%

- non présents d'autres éléments de fatigue

Indice de pénibilité totale = 35%

Durabilité estimée = 120.000 cycles de manœuvre

## DÉCLARATION CE DE CONFORMITÉ

**Remarque** - Le contenu de cette déclaration correspond à ce qui est déclaré dans la dernière révision disponible, avant l'impression de ce manuel, du document officiel déposé auprès du siège de Nice Spa. Ce texte a été réadapté pour des raisons d'édition.

Numéro : 320/XME

Révision : 0

Le soussigné Luigi Paro en tant qu'Administrateur Délégué déclare sous sa propre responsabilité que le produit :

**Nom fabricant :** NICE s.p.a.  
**Adresse :** Via Pezza Alta 13, Z.I. Rustigné, 31046 Oderzo (TV) Italia  
**Type :** Motoréducteur électromécanique 24Vd.c. enterré  
**Modèles :** XME2024, XME2124  
**Accessoires :** Aucun accessoire

Est conforme aux dispositions prévues par les directives communautaires suivantes :

- 98/37/CE (89/392/CEE modifiée) DIRECTIVE 98/37/CE DU PARLEMENT EUROPÉEN ET DU CONSEIL du 22 juin 1998 concernant le rapprochement des législations des États membres relatives aux machines.

Comme prévu par la directive 98/37/CE, nous faisons observer que la mise en service du produit indiqué ci-dessus n'est pas permise tant que la machine où le produit est incorporé n'aura pas été identifiée et déclarée conforme à la directive 98/37/CE.

De plus, le produit est conforme aux conditions requises par les directives communautaires suivantes, telles qu'elles ont été modifiées par la Directive 93/68/CEE du conseil du 22 juillet 1993 :

- 2006/95/CEE(ex directive 73/23/CEE) DIRECTIVE 2006/95/CE DU PARLEMENT EUROPÉEN DU CONSEIL du 12 décembre 2006 concernant le rapprochement des législations des États membres relatives au matériel électrique destiné à être utilisé entre certaines limites de tension  
Selon les normes harmonisées suivantes : EN 60335-1:1994+A11:1995+A1:1996+A12:1996+A13:1998+A14:1998+A15:2000+A2:2000+A16:2001
- 2004/108/CEE (ex directive 89/336/CEE) DIRECTIVE 2004/108/CE DU PARLEMENT EUROPÉEN DU CONSEIL du 15 décembre 2004 concernant le rapprochement des législations des États membres sur la compatibilité électromagnétique et qui abroge la directive 89/336/CEE  
Selon les normes harmonisées suivantes : EN 61000-6-2:2005; EN 61000-6-3:2007

Il est aussi conforme, uniquement pour les parties applicables, aux normes suivantes :

EN 60335-1:2002+A1:2004+A11:2004+A12:2006+ A2:2006, EN 60335-2-103:2003, EN 13241-1:2003; EN 12453:2002; EN 12445:2002; EN 12978:2003

Oderzo, 15 avril 2009

Luigi Paro (Administrateur Délégué)



# Índice

1 - ADVERTENCIAS Y PRECAUCIONES GENERALES PARA LA SEGURIDAD	1
2 - DESCRIPCIÓN DEL PRODUCTO Y DESTINACIÓN DE USO	1
3 - INSTALACIÓN	1
3.1 - Controles previos a la instalación	1
3.2 - Idoneidad de la cancela que se va a automatizar y del ambiente circundante	2
3.3 - Límites de uso del producto	2
3.4 - Trabajos de preparación para la instalación	2
3.5 - Instalación	2
3.6 - Desbloqueo y bloqueo manual del motorreductor	2
4 - CONEXIONES ELÉCTRICAS	2
5 - INSPECCIÓN Y PRUEBAS Y PUESTA EN SERVICIO	2
5.1 - Inspección y pruebas	3
5.2 - Puesta en servicio	3
6 - MANTENIMIENTO DEL PRODUCTO	3
ELIMINACIÓN DEL PRODUCTO	3
CARACTERÍSTICAS TÉCNICAS DEL PRODUCTO	3
Durabilidad del producto	4
DECLARACIÓN CE DE CONFORMIDAD	4
INSTRUCCIONES Y ADVERTENCIAS DESTINADAS AL USUARIO (anexo recortable)	II
IMÁGENES	.VIII - XIII

## 1 ADVERTENCIAS Y PRECAUCIONES GENERALES PARA LA SEGURIDAD

### Advertencias para la seguridad

- **¡ATENCIÓN!** – Este manual recoge instrucciones y advertencias importantes para la seguridad de las personas. Una instalación incorrecta puede provocar lesiones graves. Antes de iniciar el trabajo es necesario leer con atención todas las secciones del manual. En caso de duda, interrumpa la instalación y pida aclaraciones al Servicio de asistencia Nice.
- **¡ATENCIÓN!** – Instrucciones importantes: conserve este manual para posibles intervenciones de mantenimiento y de eliminación del producto en el futuro.
- **¡ATENCIÓN!** – Según la más reciente legislación europea, la realización de una puerta o de una cancela automático debe respetar las normas previstas por la Directiva 2006/42/CE (ex 98/37/CE) (Directiva Máquinas) y especialmente, las normas EN 12445, EN 12453, EN 12635 y EN 13241-1, que permiten declarar la conformidad del automatismo. **Considerando lo antes mencionado, todas las operaciones de instalación, de conexión, de inspección y pruebas y de mantenimiento del producto las debe realizar exclusivamente un técnico calificado y competente.**

### Advertencias para la instalación

- Antes de iniciar la instalación compruebe si este producto es apto para automatizar su cancela o portal (véase el capítulo 3 y las "Características técnicas del producto"). Si no es apto, NO lo instale.
- **Todas las operaciones de instalación y de mantenimiento se deben realizar con el automatismo desconectado de la corriente eléctrica.** Si el dispositivo de desconexión de la corriente no se ve desde el lugar donde está el automatismo, antes de iniciar el trabajo es necesario posicionar en el dispositivo de desconexión un cartel con el letrero "¡ATENCIÓN! MANTENIMIENTO EN CURSO".
- Durante la instalación, manipule el automatismo con cuidado evitando aplastamientos, golpes, caídas o contacto con líquidos de cualquier naturaleza. No ponga el producto cerca de fuentes de calor ni lo exponga a llamas abiertas. El hacerlo podría estropearlo y causar problemas de funcionamiento o situaciones de peligro. Si esto ocurre, interrumpa de inmediato la instalación y pida ayuda al Servicio de asistencia Nice.
- No modifique ninguna de las partes del producto. Cualquier operación no admitida puede provocar problemas de funcionamiento. El fabricante declina toda responsabilidad por daños causados por modificaciones arbitrarias al producto.
- Si la cancela o el portal que se van a automatizar cuentan con una puerta peatonal, se le debe incorporar a la instalación un sistema de control, que inactive el funcionamiento del motor cuando la puerta peatonal esté abierta.
- El material del embalaje del producto debe eliminarse respetando plenamente las normativas locales.

## 2 DESCRIPCIÓN DEL PRODUCTO Y DESTINACIÓN DE USO

Este producto está destinado a ser usado para automatizar cancelas o portales de hojas batientes, en ámbito exclusivamente residencial.

**¡ATENCIÓN!** – ¡Cualquier uso diferente del uso descrito y en condiciones ambientales diferentes de las indicadas en este manual debe considerarse impropio y prohibido!

El producto es un motorreductor electromecánico, con un motor de corriente continua de 24 V. El motorreductor se alimenta desde la central de mando externa a la que se debe conectar.

En caso de interrupción de la energía eléctrica (*black-out*), es posible mover las hojas de la cancela desbloqueando el motorreductor con la llave apropiada; para la maniobra manual véase la sección 3.6.

El producto está disponible en 2 versiones:

- XME2024 sin encoder, adecuado para centrales modelo MC424.
- XME2124 con encoder, adecuado para centrales modelo MC824H

No utilice los motorreductores con centrales no compatibles.

## 3 INSTALACIÓN

### 3.1 - Controles previos a la instalación

Antes de efectuar la instalación, es necesario comprobar que los componentes del producto estén en perfectas condiciones, que el modelo elegido sea adecuado y que el ambiente destinado a la instalación sea idóneo.

**IMPORTANTE** – El motorreductor no puede automatizar una cancela manual que no tenga una estructura mecánica eficiente y segura. Además, no puede solucionar los defectos causados por una instalación errónea o un mantenimiento incorrecto de la misma.

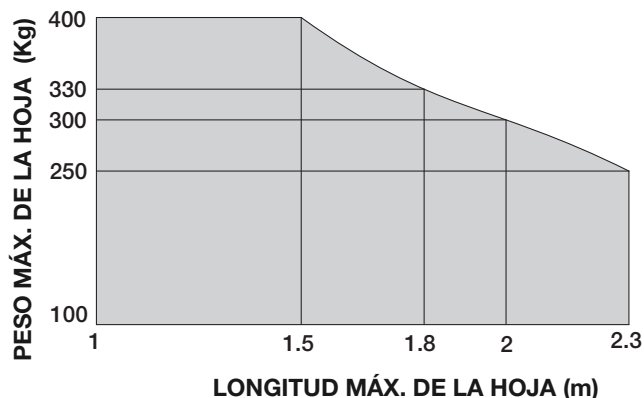


### 3.2 - Idoneidad de la cancela que se va a automatizar y del ambiente circundante

- Controle que la estructura mecánica de la cancela se pueda automatizar y esté en conformidad con las normas vigentes en el territorio (*eventualmente consulte los datos reproducidos en la etiqueta de la cancela*).
- Moviéndola manualmente la hoja de la cancela en *Apertura* y en *Cierre*, controle que el movimiento tenga lugar con una fricción igual y constante en todos los puntos del movimiento (*no deben haber momentos de mayor esfuerzo*).
- Controle que la hoja de la cancela se mantenga en equilibrio, es decir, que no se mueva si se desplaza manualmente a cualquier posición y se deja detenida.
- Controle que el espacio alrededor del motorreductor permita desbloquear manualmente las hojas de la cancela, de manera fácil y segura.
- Posicione topes de fin de carrera en el suelo, tanto para la apertura como para el cierre de la cancela.
- Controle que la zona de fijación del motorreductor sea compatible con las dimensiones globales del mismo (**fig. 1**).

### 3.3 - Límites de uso del producto

Antes de instalar el producto, controle que las dimensiones y el peso de la hoja de la cancela estén dentro de los límites que se muestran en el **gráfico 1**; evalúe también las condiciones climáticas (ej. viento fuerte) presentes en el lugar de la instalación, ya que pueden reducir considerablemente los valores mostrados en el gráfico.



### 3.4 - Trabajos de preparación para la instalación

La **fig. 2** muestra un ejemplo de instalación de automatización realizado con componentes Nice. Estos componentes se posicionan según un esquema típico y usual. Consultando la **fig. 2**, establezca la posición aproximativa en la que se instalará cada componente previsto en la instalación, y el esquema de conexión más apropiado.

#### Componentes útiles para realizar una instalación completa (**fig. 2**):

- A - Motorreductores electromecánicos
- B - Central de mando
- C - Par de fotocélulas
- D - Columnas para par de fotocélulas (C)
- E - Indicador intermitente con antena incorporada
- F - Teclado digital
- G - Par de retenes mecánicos en apertura y en cierre
- H - Selector de llave

### 3.5 - Instalación

01. Realice una excavación de cimientos de dimensiones amplias, para colocar la caja de cimentación (**fig. 3**): prevea un conducto de descarga para el drenaje del agua, para evitar su estancamiento;
02. Coloque la caja de cimentación dentro de la excavación, con el agujero alineado al eje de la bisagra superior (**fig. 4**);
03. Prevea un conducto para pasar el cable de alimentación y uno para el drenaje del agua;
04. Introduzca la caja de cimentación en el hormigón, asegurándose de que esté bien nivelada (**fig. 5**);
05. Llegado a este punto, realice 3 agujeros roscados M10, con profundidad mínima de 15 mm, en la parte inferior de la hoja (**fig. 6**). *Nota - Como alternativa a los tornillos, es posible fijar una palanca de enganche para la puerta con una soldadura resistente*;
06. Fije la palanca de enganche para la hoja utilizando 3 tornillos (**fig. 6**);
07. **¡IMPORTANTE!** - Lubrifique la deslizadera de la caja de cimentación (**fig. 7**);
08. Introduzca en la deslizadera de la caja de cimentación, la palanca de enganche ya fijada a la hoja (**fig. 8**);
09. Si la cancela tiene sus retenes mecánicos (**fig. 2 - G**) pase directamente al punto 10. De lo contrario, si la cancela no tiene los retenes mecánicos, o no se quiere que al final de la carrera todo el impulso del motor se aplique en la hoja, es posible utilizar los finales de carrera que se encuentran dentro del motorreductor y actuar como sigue:
  - a) Introduzca los granos de regulación (tanto para el final de carrera en

apertura como en cierre), en los agujeros que se encuentran en el soporte de la caja de cimentación:

- **Apertura de la hoja de 90°:** véase **fig. 9** para la hoja izquierda y para la hoja derecha.

- **Apertura de la hoja de 180°:** véase **fig. 10**.

**b) Regulación de los finales de carrera (apertura y cierre):** atornille los finales de carrera hasta que se alcance el punto de tope deseado, tanto en apertura como en cierre, al final, añada las tuercas, y si las posiciones del final de carrera son correctas, apriételas con fuerza (**fig. 11**);

10. En este momento introduzca el motor dentro de la caja de cimentación, empujándolo hasta el final de la caja, para hacer corresponder los agujeros de fijación presentes en el motorreductor con los de la caja (**fig. 12**);
11. Introduzca en los agujeros los tornillos de fijación proporcionados (**fig. 13**) y enrósquelos ligeramente hasta que el motorreductor se encuentre un poco más elevado respecto al fondo de la caja;
12. Entonces, mueva lentamente la hoja para permitir la conexión con el motor y luego apriete completamente los tornillos de fijación (**fig. 14**);
13. Haga pasar el cable de alimentación a través de la canaleta preparada con anterioridad (**fig. 15**): para la conexión eléctrica a la central vea el capítulo 4 y consulte el manual de la misma;
14. Posicione las tres tapas "A, B, C" respetando la siguiente secuencia:
  - a) Apoye la tapa superior "A" a la caja de cimentación y desplácela hasta el tope (**fig. 16 - 1**), simultáneamente introduzca en la fisura la tapa "B" (**fig. 16 - 2**);
  - b) Fije la tapa "A" con los 3 tornillos proporcionados (**fig. 16 - 3**);
  - c) Fije la tapa inferior "C" utilizando el tornillo proporcionado (**fig. 16 - 4 y 5**).

### 3.6 - Desbloqueo y bloqueo manual del motorreductor

Para desbloquear y bloquear el motorreductor, utilice la llave triangular proporcionada:

#### • Desbloqueo:

01. Introduzca la llave un uno de los 2 agujeros laterales presentes en la tapa superior, y gírela 180°, indiferentemente en un sentido o en el otro (**fig. 17**);
02. Mueva manualmente la hoja y colóquela en la posición deseada.

#### • Bloqueo:

01. Introduzca la llave un uno de los 2 agujeros preparados y gírela 180°, indiferentemente en un sentido o en el otro (**fig. 17**);
02. La hoja se bloqueará con la primera maniobra que dirija la central.

## 4 CONEXIONES ELÉCTRICAS

#### Advertencias:

- El motorreductor se entrega con un cable de alimentación eléctrica de 2 m de largo. Por tanto, si se necesita cubrir una distancia mayor para las conexiones eléctricas, es necesario utilizar una caja de derivación (no suministrada). **¡IMPORTANTE!** - Se prohíbe alargar el cable eléctrico dentro de la caja de cimentación.
- Realice las conexiones eléctricas con la alimentación de red desconectada.

Para conectar el cable de alimentación a la central de mando, véase el manual de la misma y las siguientes indicaciones:

cable **Azul** = Alimentación del motor de 24 V

cable **Marrón** = Alimentación del motor de 24 V

cable **Negro** = Encoder (solo versión XME2124)

cable **Grís** = Encoder (solo versión XME2124)

cable **Amarillo/Verde** = Tierra

## 5 INSPECCIÓN Y PRUEBAS Y PUESTA EN SERVICIO

**¡ATENCIÓN!** - Las operaciones descritas en este capítulo las debe realizar solo personal calificado y experto, respetando las instrucciones del manual, las leyes y las normativas de seguridad vigentes en el territorio.

Esta es la fase más importante en la realización del automatismo, para garantizar la máxima seguridad de la instalación. El procedimiento de inspección y pruebas descrito se puede usar también para controlar periódicamente los dispositivos que componen el automatismo.

Las fases de inspección y pruebas y de la puesta en servicio del automatismo las debe realizar personal calificado y experto, que se deberá encargar de establecer las pruebas necesarias para comprobar las soluciones adoptadas en cuanto a los riesgos presentes, y de controlar que se respete lo previsto por las leyes, las normativas y los reglamentos: especialmente, de todos los requisitos de la norma EN 12445, que establece los métodos de prueba para controlar los automatismos para cancelas.

**¡ATENCIÓN!** - - Antes de llevar a cabo cualquier control, es necesario desconectar todas las fuentes de alimentación eléctrica.

## 5.1 - Inspección y pruebas

Todos los componentes del automatismo, como los bordes sensibles, las fotocélulas, la parada de emergencia, etc. requieren una fase específica de inspección y pruebas; para estos dispositivos se deben realizar los procedimientos que se muestran en los respectivos manuales de instrucciones.

Para la inspección y pruebas de X-Metro, actúe de la siguiente manera:

- 1 Controle que se haya respetado rigurosamente, en materia de seguridad, lo previsto en el capítulo 1 - Advertencias y precauciones generales para la seguridad;
- 2 Lleve la cancela a la posición de cierre;
- 3 Quite cualquier fuente de alimentación eléctrica a la central de mando;
- 4 Desbloquee el motorreductor con la llave apropiada, véase la sección 3.6;
- 5 Abra manualmente la hoja hasta alcanzar la posición de máxima apertura y controle que durante su movimiento no hayan puntos de fricción;
- 6 Controle que la hoja detenida en cualquier posición de su movimiento, no se mueva;
- 7 Controle que los sistemas de seguridad de los retenes mecánicos estén en buen estado;
- 8 Controle que las conexiones de tornillo estén bien apretadas;
- 9 De ser necesario, limpie el interior de la caja de cimentación y controle que la descarga del agua funcione correctamente;
- 10 Bloquee el motorreductor con la llave apropiada, véase la sección 3.6;
- 11 Conecte la alimentación eléctrica a la central de mando;
- 12 Mida la fuerza de impacto según lo previsto por la norma EN 12445. Si el control de la "fuerza del motor" lo usa la Central como ayuda al sistema para la reducción de la fuerza de impacto, trate de regular las funciones que ofrecen parámetros mejores;
- 13 Fije permanentemente, en una zona adyacente al automatismo, una etiqueta que describe como desbloquear manualmente el motorreductor.

## 5.2 - Puesta en servicio

La puesta en servicio puede tener lugar solo después de haber llevado a cabo con éxito todas las fases de inspección y pruebas del motorreductor y de los otros dispositivos presentes. Para la puesta en servicio consulte el manual de instrucciones de la Central de mando.

**IMPORTANTE** – Se prohíbe la puesta en servicio parcial o en situaciones "provisionales".

# 6

## MANTENIMIENTO DEL PRODUCTO

en general el automatismo necesita mantenimiento periódico, para que pueda funcionar el mayor tiempo posible y con total seguridad. Se debe planificar el mantenimiento del automatismo con frecuencia periódica. Es necesario un mantenimiento programado al máximo cada 6 meses.

Para realizar los controles de mantenimiento, repita el procedimiento descrito en el capítulo 5.1 - Inspección y pruebas.

**¡Importante!** – Antes de llevar a cabo cualquier control, es necesario desconectar todas las fuentes de alimentación eléctrica.

## ELIMINACIÓN DEL PRODUCTO

**Este producto forma parte integrante del automatismo y por tanto debe ser eliminado junto al mismo.**

Como para las operaciones de instalación, también al final de la vida útil de este producto, las operaciones de desmontaje deben ser llevadas a cabo por personal calificado.

Este producto está constituido por tipos diferentes de material: algunos pueden reciclarse, otros deben eliminarse. Infórmese sobre los sistemas de reciclaje o eliminación establecidos en los reglamentos vigentes en su territorio en cuanto a esta categoría de producto.

**¡Atención!** – algunas partes del producto pueden contener sustancias contaminantes o peligrosas que, si se eliminan en el medio ambiente, pueden provocar efectos nocivos para la salud humana y para el medio ambiente en sí.

Como lo indica el símbolo al lado, está prohibido eliminar este producto en los residuos domésticos. Realice por tanto la "recogida separada" para la eliminación, según los métodos dispuestos en los reglamentos vigentes en su territorio, o entregue el producto al vendedor al comprar un producto nuevo equivalente.



**¡Atención!** – los reglamentos locales vigentes pueden prever graves sanciones en caso de eliminación incorrecta de este producto.

## CARACTERÍSTICAS TÉCNICAS DEL PRODUCTO

**ADVERTENCIAS:** • Todas las características técnicas indicadas se refieren a una temperatura ambiental de 20 °C (± 5 °C). • Nice S.p.a. se reserva el derecho a modificar el producto cuando lo considere necesario, conservando sin embargo la misma funcionalidad y destino de uso.

■ Tipo	Motorreductor electromecánico para cancelas o portales de hojas batientes
■ Alimentación	24 V ~
■ Consumo de pico	5 A
■ Consumo máximo	2 A
■ Potencia de pico	120 W
■ Potencia máxima	50 W
■ Grado de protección	IP 67
■ Movimiento	desde 0 hasta 90 (±10°) o bien desde 0° hasta 180° (±10°) [no son posibles aperturas intermedias entre 90° y 180°]
■ Velocidad en vacío	1.25 rpm
■ Velocidad en par nominal	1 rpm
■ Par máximo	250 Nm
■ Par nominal	120 Nm
■ Temperatura de funcionamiento	de -20 °C a +50 °C
■ Ciclos/hora en par nominal	60
■ Durabilidad	Estimada entre 80.000 y 200.000 ciclos de maniobras aproximadamente, según las condiciones que se muestran en la Tabla 1
■ Dimensiones	230 mm x 206 mm x h 88 mm
■ Peso	15 Kg (motorreductor con caja de cimentación)

## Durabilidad del producto

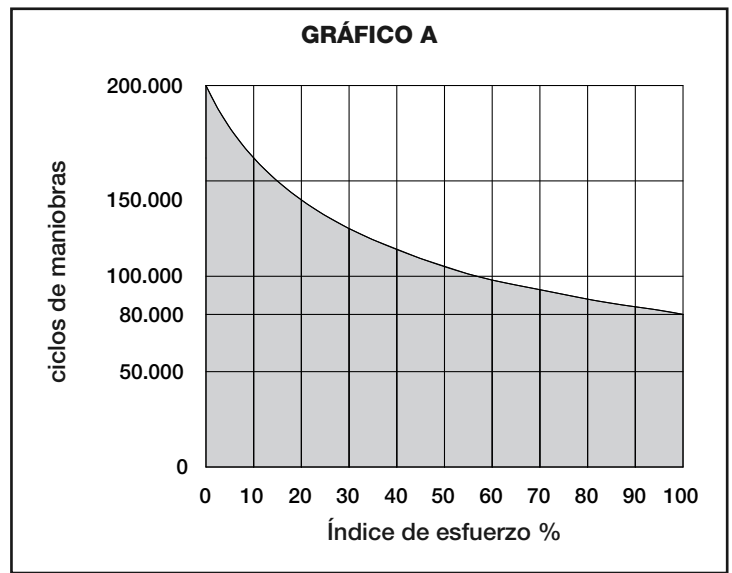
La durabilidad es la vida económica media del producto. El valor de la durabilidad está influenciado fuertemente por el índice de esfuerzo de las maniobras realizadas por el automatismo: es decir, la suma de todos los factores que contribuyen al desgaste del producto (véase Tabla 1).

Para establecer la durabilidad probable de su automatismo actúe de la siguiente manera:

**01.** Calcule el índice de esfuerzo sumando entre ellos los valores en porcentaje de las voces presentes en la **Tabla 1**;

**02.** En el **Gráfico A** desde el valor obtenido, trace una línea vertical hasta cruzarse con la curva, desde este punto trace una línea horizontal hasta cruzarse con la línea de los "ciclos de maniobras". El valor determinado es la **durabilidad estimada** de su producto.

La estimación de durabilidad se realiza sobre la base de los cálculos de proyecto y de los resultados de pruebas realizadas con prototipos. De hecho, siendo una estimación, no representa ninguna garantía en la efectiva duración del producto.



**Ejemplo del cálculo de durabilidad de un motorreductor X-Metro (consulte la Tabla 1 y el Gráfico A):**

- longitud de la hoja: 1,7 m y peso de la hoja: 200 kg = índice esfuerzo: 20%

- Instalación en zonas ventosas = índice de esfuerzo: 15%

- sin otros elementos de esfuerzo

Índice de esfuerzo total = 35%

Durabilidad estimada = 120.000 ciclos de maniobras

Longitud de la hoja	≥ 1.5 m	1.5 - 1.8 m	1.8 - 2 m	2 - 2.3 m
	<b>Índice de esfuerzo</b>			
<b>Peso de la hoja</b>				
< 100 Kg	0 %	10 %	20 %	30 %
100 - 250 Kg	10 %	20 %	30 %	40 %
250 - 300 Kg	20 %	30 %	40 %	50 %
300 - 330 Kg	30 %	40 %	50 %	-
330 - 400 Kg	40 %	50 %	-	-
<b>Temperatura ambiental superior a 40 °C o inferior a 0 °C o humedad superior al 80%</b>				15 %
<b>Hoja ciega</b>				15 %
<b>Instalación en zona ventosa</b>				15 %

## DECLARACIÓN CE DE CONFORMIDAD

**Nota** - El contenido de esta declaración corresponde a lo declarado en la última revisión disponible, antes de la impresión de este manual, del documento oficial depositado en la sede de Nice Spa. El presente texto ha sido redactado para efectos editoriales.

Número: 320/XME

Revisión: 0

El abajo firmante, Luigi Paro, en calidad de Administrador adjunto, declara bajo su responsabilidad que el producto:

**Nombre del productor:** NICE s.p.a.  
**Dirección:** Via Pezza Alta 13, Z.I. Rustignè, 31046 Oderzo (TV) Italia  
**Tipo:** Motorreductor electromecánico 24 V d.c. enterrado  
**Modelos:** XME2024, XME2124  
**Accesorios:** Ningún accesorio

Cumple con lo establecido en las siguientes directivas europeas:

- 98/37/CE (89/392/CEE modificada) DIRECTIVA 98/37/CE DEL PARLAMENTO EUROPEO Y DEL CONSEJO del 22 de junio de 1998 sobre la aproximación de las legislaciones de los Estados miembros relativas a las máquinas

Como lo prevé la directiva 98/37/CE, se prohíbe la puesta en servicio del producto antes mencionado hasta que la máquina en la que se incorporará no se identifique y declare conforme con la directiva 98/37/CE.

Además el producto cumple con lo previsto por las siguientes directivas europeas, que han sido modificadas por la Directiva 93/68/CEE del consejo del 22 de julio de 1993:

- 2006/95/CEE (ex directiva 73/23/CE) DIRECTIVA 2006/95/CE DEL PARLAMENTO EUROPEO Y DEL CONSEJO del 12 de diciembre de 2006 sobre la aproximación de las legislaciones de los Estados miembros relativas al material eléctrico destinado a trabajarse dentro de algunos límites de tensión Conforme a las siguientes normas autorizada: EN 60335-1:1994+A11:1995+A12:1996+A13:1998+A14:1998+A15:2000+A2:2000+A16:2001
- 2004/108/CEE (ex directiva 89/336/CEE) DIRECTIVA 2004/108/CE DEL PARLAMENTO EUROPEO Y DEL CONSEJO del 15 de diciembre de 2004 sobre la aproximación de las legislaciones de los Estados miembros relativas a la compatibilidad electromagnética y que anula la directiva 89/336/CEE Conforme a las siguientes normas autorizadas: EN 61000-6-2:2005; EN 61000-6-3:2007

Además cumple con lo previsto, solo para las partes aplicables, por las siguientes normas:

EN 60335-1:2002+A1:2004+A11:2004+A12:2006+ A2:2006, EN 60335-2-103:2003, EN 13241-1:2003; EN 12453:2002; EN 12445:2002; EN 12978:2003

Oderzo, 15 de abril de 2009

Luigi Paro (Administrador adjunto)

# Inhalt

1 - ALLGEMEINE SICHERHEITSHINWEISE UND VORSICHTSMASSNAHMEN	1
2 - BESCHREIBUNG DES PRODUKTS UND BESTIMMUNGSGEMÄSSER GEBRAUCH	1
3 - INSTALLATION	1
3.1 - Der Installation vorausgehende Kontrollen	1
3.2 - Eignung des zu automatisierenden Tors und der Umgebung	2
3.3 - Einsatzgrenzen des Produkts	2
3.4 - Arbeiten zur Vorbereitung der Installation	2
3.5 - Installation	2
3.6 - Manuelle Ent- und Verriegelung des Toröffners	2
4 - ELEKTRISCHE VERBINDUNGEN	2
5 - PRÜFUNG UND INBETRIEBNAHME	2
5.1 - Prüfung	3
5.2 - Inbetriebnahme	3
6 - WARTUNG DES PRODUKTS	3
ENTSORGUNG DES PRODUKTS	3
TECHNISCHE DATEN DES PRODUKTS	3
Lebensdauer des Produkts	4
CE-KONFORMITÄTSERKLÄRUNG	4
ANWEISUNGEN UND WARNHINWEISE FÜR DEN BENUTZER (Beiblatt zum Abtrennen)	II
ABBILDUNGEN	VIII - XIII

## 1 ALLGEMEINE SICHERHEITSHINWEISE UND VORSICHTSMASSNAHMEN

### Sicherheitshinweise

- **ACHTUNG!** – Die vorliegende Anleitung enthält wichtige Anweisungen und Warnhinweise zur Sicherheit von Personen. Eine falsche Installation kann zu schweren Verletzungen führen. Vor Beginn der Arbeit müssen alle Teile der Anleitung aufmerksam gelesen werden. Im Zweifelsfall ist die Installation abzubrechen und der Nice-Kundendienst um Klarstellung zu bitten.
- **ACHTUNG!** – Wichtige Anweisungen: Diese Anleitung ist für eventuelle spätere Wartung und Entsorgung des Produkts aufzubewahren.
- **ACHTUNG!** – Laut den neuesten europäischen Bestimmungen muss die Errichtung eines Tür- bzw. Torantriebs gemäß den Vorschriften der Richtlinie 2006/42/EG (ehem. 98/37/EG) (Maschinenrichtlinie) erfolgen, im Einzelnen gemäß der Normen EN 12445, EN 12453, EN 12635 und EN 13241-1, mit denen die Konformität der Antriebsanlage erklärt werden kann. In Anbetracht dessen, müssen sämtliche Installations-, Anschluss-, Prüf- und Wartungsarbeiten des Produktes ausschließlich durch einen qualifizierten Fachtechniker ausgeführt werden!

### Installationshinweise

- Vor Beginn der Installation ist zu prüfen, ob das vorliegende Produkt für den Antrieb Ihres Tors geeignet ist (siehe Kapitel 3 sowie "Technische Daten des Produkts"). Ist es nicht geeignet, darf es NICHT installiert werden.
- Sämtliche Installations- und Wartungsarbeiten müssen mit von der Stromversorgung getrenntem Torantrieb erfolgen. Wenn die Vorrichtung zur Abtrennung von der Stromversorgung von der Stelle, an der sich der Torantrieb befindet, nicht einsehbar ist, ist vor Beginn der Arbeit an der Trennvorrichtung ein Schild mit der Aufschrift "ACHTUNG! WARTUNGSARBEITEN" anzubringen.
- Während der Installation ist ein sorgfältiger Umgang mit dem Antrieb erforderlich, Quetschungen, Stöße, Herunterfallen oder Kontakt mit Flüssigkeiten aller Art sind zu vermeiden. Das Produkt darf nicht in der Nähe von Wärmequellen oder offenen Flammen aufgestellt werden. All diese Tatbestände können zu Beschädigungen und Funktionsstörungen des Produktes oder Gefahrensituationen führen. In einem solchen Fall ist die Installation sofort abzubrechen und der Nice-Kundendienst zu rufen.
- An keinem Teil des Produkts dürfen Änderungen vorgenommen werden. Unzulässige Operationen können zu Funktionsstörungen führen. Der Hersteller lehnt jede Haftung für Schäden infolge willkürlicher Modifikationen am Produkt ab.
- Wenn das mit dem Antrieb auszurüstende Tor mit einer Schlupftür versehen ist, muss die Anlage mit einem Kontrollsystem ausgerüstet werden, das den Betrieb des Motors verhindert, wenn die Schlupftür geöffnet ist.
- Das Verpackungsmaterial des Produkts ist entsprechend der örtlichen Bestimmungen zu entsorgen.

## 2 BESCHREIBUNG DES PRODUKTS UND BESTIMMUNGSGEMÄSSER GEBRAUCH

Das vorliegende Produkt ist für den Einsatz als Antrieb von Toren mit Torflügeln und ausschließlich im Wohnbereich bestimmt.

**ACHTUNG!** – Jeglicher Gebrauch, der von den vorliegenden Beschreibungen abweicht oder unter anderen als den in dieser Anleitung angegebenen Umweltbedingungen stattfindet, hat als unsachgemäß und verboten zu gelten!

Das Produkt ist ein elektromechanischer Toröffner mit einem 24-V-Gleichstrommotor. Der Toröffner wird über die externe Steuerung, mit der er verbunden werden muss, mit Strom versorgt.

Bei Unterbrechungen der Stromversorgung (*Stromausfall*), können die Torflügel bewegt werden, wenn der Torantrieb mit dem entsprechenden Schlüssel entriegelt wird; zur manuellen Bewegung des Tors siehe Kapitel 3.6.

Das Produkt ist in 2 Versionen erhältlich:

- XME2024 ohne Encoder, geeignet für Steuerungen MC424.
- XME2124 mit Encoder, geeignet für Steuerungen MC824H

Torantriebe nicht mit inkompatiblen Steuerungen einsetzen.

## 3 INSTALLATION

### 3.1 - Der Installation vorausgehende Kontrollen

Vor Beginn der Installation ist zu überprüfen, ob alle Bauteile des Produkts unbeschädigt sind, ob das gewählte Modell und der für die Installation bestimmte Ort geeignet sind.

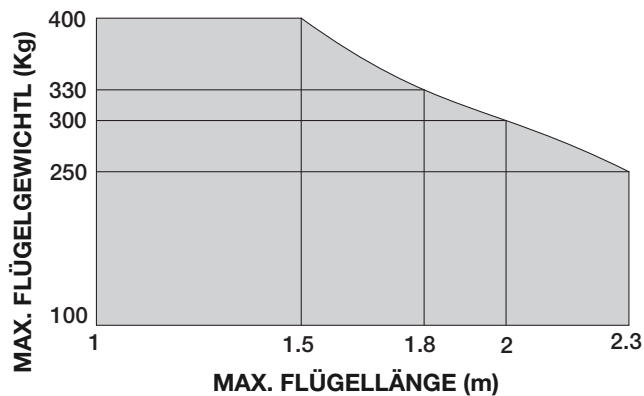
**WICHTIG** – Mit dem Torantrieb kann kein manuelles Tor angetrieben werden, das keinen ausreichenden mechanischen, sicheren Unterbau besitzt. Außerdem kann er Mängel infolge einer falschen Installation oder mangelhaften Wartung des Tores selbst nicht beseitigen.

### 3.2 - Eignung des zu automatisierenden Tors und der Umgebung

- Überprüfen, ob der mechanische Unterbau des Tors für einen Antrieb geeignet ist und den vor Ort geltenden Bestimmungen genügt (ggf. die auf dem Typenschild des Tores angegebenen Daten kontrollieren).
- Torflügel manuell öffnen und schließen und prüfen, ob die Bewegung mit an allen Stellen des Weges gleicher und konstanter Reibung erfolgt (es darf keine Stellen mit höherem Kraftaufwand geben).
- Überprüfen, ob der Torflügel im Gleichgewicht bleibt, d. h. dass er sich nicht bewegt, wenn er manuell in eine beliebige Position gebracht und losgelassen wird.
- Überprüfen, ob um den Torantrieb herum genug Platz ist, damit die Torflügel einfach und sicher manuell entriegelt werden können.
- Für das Öffnen und Schließen des Tores sind am Boden feste Endanschläge vorzusehen.
- Überprüfen, ob im Befestigungsbereich des Torantriebs für diesen ausreichend Platz ist (Abb. 1).

### 3.3 - Einsatzgrenzen des Produkts

Vor der Installation des Produkts ist zu prüfen, ob Abmessungen und Gewicht des Torflügels innerhalb der in Diagramm 1; angegebenen Grenzen liegen; zu berücksichtigen sind auch die klimatischen Bedingungen (z. B. starker Wind), die am Installationsort vorherrschen und die im Diagramm angegebenen Werte deutlich verringern können.



### 3.4 - Arbeiten zur Vorbereitung der Installation

Abb. 2 zeigt ein Beispiel für eine mit Nice-Bauteilen realisierte Antriebsanlage. Diese Bauteile sind gemäß einem typischen und gebräuchlichen Schema angeordnet. Entsprechend Abb. 2, die ungefähre Position festlegen, an der die einzelnen in der Anlage vorgesehenen Teile installiert werden sollen, sowie den am besten geeigneten Anschlussplan.

#### Bauteile zur Realisierung einer vollständigen Anlage (Abb. 2):

- A - Elektromechanische Torantriebe (Getriebemotoren)
- B - Steuerung
- C - Photozellen-Paar
- D - Säulen für Photozellen-Paar (C)
- E - Blinkleuchte mit eingebauter Antenne
- F - Digitale Tastatur
- G - Paar mechanischer Anschläge beim Öffnen und Schließen
- H - Schlüsselschalter

### 3.5 - Installation

01. Eine Fundamentgrube mit großzügigen Abmessungen für den Einsatz des Fundamentkastens anlegen (Abb. 3): Zur Ableitung des Wassers ist eine Abflussleitung anzulegen, um den Rückstau zu vermeiden;
02. Fundamentkasten in die Grube einsetzen, dabei muss das Loch auf die Achse des oberen Scharniers ausgerichtet werden (Abb. 4);
03. Eine Leitung zur Durchführung des Stromversorgungskabels und eine zur Ableitung des Wassers vorsehen;
04. Fundamentkasten in Beton eingießen, dieser muss sich dabei perfekt in Waage befinden (Abb. 5);
05. Nun am unteren Teil des Flügels 3 M10-Gewindebohrungen mit mindestens 15 mm Tiefe ausführen (Abb. 6). *Anmerkung – Alternativ zu den Schrauben kann der Anschlusshebel für den Flügel durch eine kräftige Schweißnaht befestigt werden;*
06. Anschlusshebel für den Flügel mit 3 Schrauben befestigen (Abb. 6);
07. **WICHTIG!** – Lagerbuchse des Fundamentkastens schmieren (Abb. 7);
08. In die Lagerbuchse des Fundamentkastens den bereits am Flügel befestigten Anschlusshebel einsetzen (Abb. 8);
09. Wenn das Tor eigene mechanische Stopper besitzt (Abb. 2 - G) direkt mit Punkt 10. fortfahren. Andernfalls, wenn das Tor keine eigenen mechanischen Stopper besitzt oder am Wegende nicht die gesamte Kraft des Motors auf den Flügel wirken soll, können die inneren Anschläge des Toröffners benutzt und wie folgt vorgegangen werden:
  - a) Stiftschrauben zur Einstellung (sowohl für den Anschlag beim Öffnen als auch beim Schließen) in die vorgesehenen Öffnungen im Rahmen des Fun-

damentkastens einsetzen:

- Flügelöffnung 90°: siehe Abb. 9 für den linken und den rechten Flügel.
- Flügelöffnung 180°: siehe Abb. 10.

b) **Einstellung der Anschläge (Öffnen und Schließen):** Anschläge bis zum Erreichen des gewünschten Anschlagpunktes beim Öffnen und Schließen einschrauben; am Ende die Muttern aufsetzen und, wenn die Positionen des Anschlags richtig sind, kräftig festziehen (Abb. 11);

10. Nun den Motor in den Fundamentkasten einsetzen. Diesen dabei bis zum Anschlag in den Kasten schieben, so dass die Befestigungslöcher am Toröffner mit denen des Kastens zusammen passen (Abb. 12);
11. Mitgelieferte Befestigungsschrauben in die Löcher einsetzen (Abb. 13) und leicht festziehen, bis sich der Toröffner leicht über den Boden des Kastens hebt;
12. Dann den Flügel langsam bewegen, damit das Einrasten in den Motor erfolgen kann, dann die Befestigungsschrauben fest bis zum Anschlag anziehen (Abb. 14);
13. Stromversorgungskabel durch den vorher angelegten Kabelkanal führen (Abb. 15): Zum elektrischen Anschluss an die Steuerung siehe Kapitel 4 und Anleitung der Steuerung selbst;
14. Die drei Deckelteile "A, B, C" in der folgenden Reihenfolge aufsetzen:
  - a) Oberes Deckelteil "A" auf den Fundamentkasten auflegen und bis zum Anschlag schieben (Abb. 16 - 1), gleichzeitig in den Schlitz das Deckelteil "B" einsetzen (Abb. 16 - 2)
  - b) Deckelteil "A" mit den 3 mitgelieferten Schrauben befestigen (Abb. 16 - 3)
  - c) Unteres Deckelteil "C" mit der mitgelieferten Schraube befestigen (Abb. 16 - 4 e 5).

### 3.6 - Manuelle Ent- und Verriegelung des Toröffners

Zum Ent- und Verriegeln des Toröffners ist der mitgelieferte dreieckige Schlüssel zu verwenden:

#### • Entriegelung:

01. Schlüssel in eine der beiden seitlichen Öffnungen im oberen Deckel einstecken und um 180° drehen, egal ob links- oder rechtsherum (Abb. 17);
02. Flügel manuell bewegen und in die gewünschte Stellung bringen.

#### • Verriegelung:

01. Schlüssel in eine der beiden Öffnungen einstecken und um 180° drehen, egal ob links- oder rechtsherum (Abb. 17);
02. Der Flügel wird bei der ersten von der Steuerung ausgelösten Bewegung verriegelt.

## 4 ELEKTRISCHE VERBINDUNGEN

#### Warnhinweise:

- Der Toröffner wird mit einem 2 m langen Stromversorgungskabel geliefert. Daher muss, wenn ein größerer Abstand für die elektrischen Verbindungen überbrückt werden muss, eine Abzweigdose (nicht mitgeliefert) verwendet werden. **WICHTIG!** – Es ist verboten, im Innern des Fundamentkastens zusätzliches Elektrokabel anzuschließen.
- Elektrische Verbindungen bei abgetrennter Stromversorgung vornehmen.

Zum Anschluss des Stromversorgungskabels an die Steuerung siehe deren Anleitung und folgende Anweisungen:

**Blauer Draht** = Motor-Stromversorgung 24 V

**Brauner Draht** = Motor-Stromversorgung 24 V

**Schwarzer Draht** = Encoder (nur Version XME2124)

**Grauer Draht** = Encoder (nur Version XME2124)

**Gelb-grüner Draht** = Erde

## 5 PRÜFUNG UND INBETRIEBNAHME

**ACHTUNG!** – Die in diesem Kapitel beschriebenen Arbeiten dürfen ausschließlich durch erfahrenes Fachpersonal ausgeführt werden, dabei sind die Hinweise der Anleitung und die vor Ort geltenden Gesetze und Sicherheitsvorschriften zu beachten.

Dies ist die wichtigste Phase bei der Realisierung des Antriebs, um die maximale Sicherheit der Anlage zu gewährleisten. Das beschriebene Prüfverfahren kann auch zur regelmäßigen Überprüfung der Vorrichtungen verwendet werden, aus denen sich der Antrieb zusammensetzt.

Die einzelnen Phasen der Prüfung und der Inbetriebnahme des Antriebs sind durch erfahrenes Fachpersonal auszuführen, das festzulegen hat, welche Prüfungen erforderlich sind, um die gegen die bestehenden Gefahren ergriffenen Maßnahmen zu kontrollieren, und das zu kontrollieren hat, ob die Bestimmungen von Gesetzen, Rechtsvorschriften und Regelungen eingehalten werden: im Einzelnen alle Anforderungen der Norm EN 12445, die die Prüfmethoden für Torantriebe festlegt.

**ACHTUNG!** – Vor der Durchführung von Prüfungen sind stets alle Stromversorgungsquellen abzutrennen.



## 5.1 - Prüfung

Jedes einzelne Bauteil des Torantriebs, zum Beispiel Kontakteleisten, Photozellen, Not-Aus usw. ist einer separaten Prüfung zu unterziehen; für diese Vorrichtungen sind die in den jeweiligen Bedienungsanleitungen angegebenen Verfahren durchzuführen.

Die Prüfung von X-Metro ist wie folgt durchzuführen:

- 1 Sicherstellen, dass hinsichtlich der Sicherheit die in Kapitel 1 - Allgemeine Sicherheitshinweise und Vorsichtsmaßnahmen - genannten Bestimmungen strikt eingehalten wurden;
- 2 Tor in geschlossene Stellung bringen;
- 3 Alle Stromversorgungsquellen an der Steuerung abtrennen;
- 4 Toröffner mit dem Entriegelungsschlüssel entriegeln, siehe Abschnitt 3.6;
- 5 Torflügel manuell bis zum Erreichen der Maximalöffnung öffnen und prüfen, ob während dessen Bewegung Reibungsstellen vorhanden sind;
- 6 Sicherstellen, dass der in einer beliebigen Position seines Weges stehen gelassene Flügel sich nicht bewegt;
- 7 Kontrollieren, ob die Sicherheitseinrichtungen und mechanischen Stopper in gutem Zustand sind;
- 8 Kontrollieren, ob die Schraubverbindungen gut festgezogen sind;
- 9 Wenn erforderlich, das Innere des Fundamentkastens reinigen und prüfen, ob die Ableitung des Wassers korrekt funktioniert;
- 10 Toröffner mit dem Entriegelungsschlüssel verriegeln, siehe Abschnitt 3.6;
- 11 Stromversorgung der Steuerung einschalten;
- 12 Schließkraftmessung gemäß EN 12445 durchführen. Wird die Kontrolle der "Motorkraft" von der Steuerung als Hilfe im System zur Reduzierung der Schließkraft verwendet, versuchen, die Funktionen einzustellen, die bessere Parameter bieten;
- 13 Im Bereich neben dem Torantrieb dauerhaft ein Schild anbringen, das beschreibt, wie der Toröffner manuell entriegelt werden kann.

## 5.2 - Inbetriebnahme

Die Inbetriebnahme darf erst erfolgen, nachdem alle Prüfphasen des Toröffners und der anderen vorhandenen Vorrichtungen mit positivem Ergebnis durchgeführt wurden. Bei der Inbetriebnahme ist die Bedienungsanleitung der Steuerung zu beachten.

**WICHTIG** – Eine teilweise Inbetriebnahme oder eine Inbetriebnahme unter "provisorischen" Bedingungen ist verboten.

# 6

## WARTUNG DES PRODUKTS

Im Allgemeinen ist für den Torantrieb eine regelmäßige Wartung erforderlich, damit er möglichst lange und völlig sicher funktionieren kann. Die Wartung des Torantriebs ist zu planen und in regelmäßigen Zeitabständen vorzunehmen. Eine planmäßige Wartung ist mindestens alle 6 Monate durchzuführen.

Um die Wartungsprüfungen durchzuführen, ist das in Kapitel 5.1 - Prüfung - beschriebene Verfahren zu wiederholen.

**Wichtig!** – Vor der Durchführung von Prüfungen sind stets alle Stromversorgungsquellen abzutrennen.

## ENTSORGUNG DES PRODUKTS

**Dieses Produkt ist fester Bestandteil der Automatik und ist daher zusammen mit dieser zu entsorgen.**

Wie die Installationsarbeiten ist, am Ende der Lebensdauer dieses Produkts, auch die Demontage durch Fachpersonal auszuführen.

Dieses Produkt besteht aus verschiedenen Materialarten: Einige können recycelt werden, andere sind zu entsorgen. Informieren Sie sich über die Recycling- bzw. Entsorgungssysteme, die für diese Produktkategorie von den in Ihrem Land geltenden Bestimmungen vorgesehen sind.

**Achtung!** – Einige Teile des Produkts können umweltbelastende oder schädliche Stoffe enthalten, die nicht in die Umwelt gelangen dürfen, da sie schädliche Auswirkungen auf die Umwelt selbst und auf die menschliche Gesundheit haben können.

Wie durch das nebenstehende Symbol angegeben, ist es verboten, dieses Produkt über den Hausmüll zu entsorgen. Es ist daher gemäß den Verfahren, die von den in Ihrem Land geltenden Bestimmungen vorgesehen sind, getrennt zu entsorgen bzw. beim Kauf eines neuen, gleichwertigen Produkts beim Händler abzugeben.



**Achtung!** – Die örtlich geltenden Bestimmungen können für die missbräuchliche Entsorgung dieses Produktes schwere Strafen vorsehen.

## TECHNISCHE DATEN DES PRODUKTS

**HINWEISE:** • Alle angegebenen technischen Daten beziehen sich auf eine Umgebungstemperatur von 20°C (± 5°C). • Nice S.p.a. behält sich das Recht vor, jederzeit am Produkt Änderungen vorzunehmen, wenn dies für erforderlich gehalten wird, dabei aber dessen Funktionen und bestimmungsgemäßer Gebrauch gleich bleiben.

■ <b>Geräteart</b>	Elektromagnetischer Getriebemotor-Antrieb für Tore mit Torflügeln
■ <b>Stromversorgung</b>	24 V ~
■ <b>Spitzenstromaufnahme</b>	5 A
■ <b>Höchststromaufnahme</b>	2 A
■ <b>Spitzenleistung</b>	120 W
■ <b>Höchstleistung</b>	50 W
■ <b>Schutzklasse</b>	IP 67
■ <b>Weg</b>	0° bis 90° (±10°) bzw. 0° bis 180° (±10°) [nicht möglich sind Öffnungswege zwischen 90° und 180°]
■ <b>Leerlaufdrehzahl</b>	1.25 U/min
■ <b>Drehzahl bei Nenndrehmoment</b>	1 U/min
■ <b>Maximales Drehmoment</b>	250 Nm
■ <b>Nenndrehmoment</b>	120 Nm
■ <b>Betriebstemperatur</b>	-20 °C bis +50 °C
■ <b>Zyklen pro Std. bei Nenndrehmoment</b>	60
■ <b>Lebensdauer</b>	Geschätzt etwa 80.000 bis 200.000 Bewegungszyklen, gemäß den in Tabelle 1 angegebenen Bedingungen
■ <b>Abmessungen</b>	230 mm x 206 mm x h 88 mm
■ <b>Gewicht</b>	15 Kg (Toröffner mit Fundamentkasten)

## Standzeit des Produkts

Die Standzeit ist die mittlere wirtschaftliche Lebenszeit des Produkts. Die Standzeit wird stark beeinflusst vom Belastungsindex der vom Antrieb ausgeführten Bewegungen: D. h. die Summe aller Faktoren, die zum Verschleiß des Produkts beitragen (siehe Tabelle 1).

Um die wahrscheinliche Standzeit Ihres Antriebs zu bestimmen, gehen Sie folgendermaßen vor:

**01.** Berechnen Sie den Belastungsindex, indem Sie die Prozentwerte der Einträge in **Tabelle 1**;

**02.** Ziehen Sie in **Diagramm A** vom soeben ermittelten Wert eine senkrechte Linie bis zum Schneiden der Kurve; von diesem Punkt ziehen Sie eine waagerechte Linie bis zum Schneiden der Linie der "Bewegungszyklen". Der so bestimmte Wert ist die geschätzte Standzeit Ihres Produkts.

Die Schätzung der Standzeit erfolgt aufgrund der Planungsberechnungen und der Ergebnisse von an Prototypen ausgeführten Versuchen. Da es sich um eine Schätzung handelt, ist sie keine Garantie für die tatsächliche Lebensdauer des Produkts.

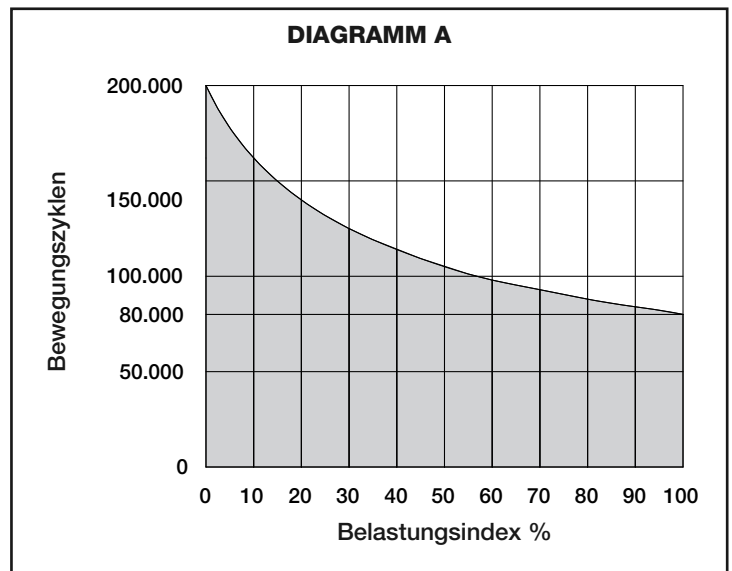


TABELLE 1				
Länge des Flügels	≥ 1.5 m	1.5 - 1.8 m	1.8 - 2 m	2 - 2.3 m
	<b>Belastungsindex</b>			
<b>Gewicht des Flügels</b>				
< 100 Kg	0 %	10 %	20 %	30 %
100 - 250 Kg	10 %	20 %	30 %	40 %
250 - 300 Kg	20 %	30 %	40 %	50 %
300 - 330 Kg	30 %	40 %	50 %	-
330 - 400 Kg	40 %	50 %	-	-
<b>Umgebungstemperatur über 40 °C oder unter 0 °C oder Feuchtigkeit über 80%</b>				15 %
<b>Flügel mit Füllung</b>				15 %
<b>Installation in windreichem Gebiet</b>				15 %

**Beispiel für die Standzeitberechnung eines Toröffners X-Metro (siehe Tabelle 1 und Diagramm A):**

- Länge des Flügels: 1,7 m, Gewicht des Flügels: 200 kg = Belastungsindex: 20%

- Installation in windreichen Gebieten = Belastungsindex: 15%

- keine weiteren Ermüdungsfaktoren

Gesamtbelastungsindex = 35%

Geschätzte Standzeit = 120.000 Bewegungszyklen

## CE-KONFORMITÄTSERKLÄRUNG

**Anmerkung** - Der Inhalt dieser Erklärung entspricht den in der letzten vor Drucklegung dieser Anleitung verfügbaren Revision erklärten Angaben des offiziellen, in der Geschäftsstelle von Nice Spa hinterlegten Dokuments. Der vorliegende Text wurde aus verlegerischen Gründen angepasst.

**Nummer:** 320/XME

**Revision:** 0

Der Unterzeichner Luigi Paro erklärt in seiner Eigenschaft als Vorstandsvorsitzender unter eigener Verantwortung, dass das Produkt:

**Name des Herstellers:** NICE s.p.a.  
**Anschrift:** Via Pezza Alta 13, Z.I. Rustignè, 31046 Oderzo (TV) Italia  
**Typ:** Elektromechanischer Unterflur-Toröffner 24 V=  
**Modelle:** XME2024, XME2124  
**Zubehör:** Kein Zubehör

sich als konform mit den Anforderungen der folgenden EU-Richtlinien erwiesen hat:

- 98/37/EG (Änderung der 89/392/EWG) RICHTLINIE 98/37/EG DES EUROPÄISCHEN PARLAMENTS UND DES RATES vom 22. Juni 1998 zur Angleichung der Rechtsvorschriften der Mitgliedstaaten hinsichtlich Maschinen

Gemäß Richtlinie 98/37/EG wird darauf hingewiesen, dass die Inbetriebnahme des oben genannten Produkts unzulässig ist, solange die Maschine, in die das Produkt eingebaut wird, nicht festgestellt und ihre Konformität mit der Richtlinie 98/37/EG erklärt wurde.

Weiterhin erfüllt das Produkt die Anforderungen der folgenden EU-Richtlinien in der durch die Richtlinie 93/68/EG des Rates vom 22. Juli 1993 geänderten Fassung:

- 2006/95/EG (ehem. 73/23/EG) RICHTLINIE 2006/95/EG DES EUROPÄISCHEN PARLAMENTS UND DES RATES vom 12. Dezember 2006 zur Angleichung der Rechtsvorschriften der Mitgliedstaaten betreffend elektrische Betriebsmittel zur Verwendung innerhalb bestimmter Spannungsgrenzen  
 Gemäß der folgenden harmonisierten Normen: EN 60335-1:1994+A11:1995+A1:1996+A12:1996+A13:1998+A14:1998+A15:2000+A2:2000+A16:2001
- 2004/108/EG (ehem. 89/336/EG) RICHTLINIE 2004/108/EG DES EUROPÄISCHEN PARLAMENTS UND DES RATES vom 15. Dezember 2004 zur Angleichung der Rechtsvorschriften der Mitgliedstaaten hinsichtlich der elektromagnetischen Verträglichkeit, die die Richtlinie 89/336/EG aufhebt  
 Gemäß der folgenden harmonisierten Normen: EN 61000-6-2:2005; EN 61000-6-3:2007

Weiterhin erfüllt es, begrenzt auf die anwendbaren Teile, die Anforderungen der folgenden Normen:

EN 60335-1:2002+A1:2004+A11:2004+A12:2006+ A2:2006, EN 60335-2-103:2003, EN 13241-1:2003; EN 12453:2002; EN 12445:2002; EN 12978:2003

Oderzo, 15 April 2009

Luigi Paro (Vorstandsvorsitzender)



# Spis treści

1 - OGÓLNE UWAGI I ŚRODKI OSTROŻNOŚCI DOTYCZĄCE BEZPIECZEŃSTWA	1
2 - OPIS PRODUKTU I JEGO PRZEZNACZENIE	1
3 - MONTAŻ	1
3.1 - Kontrole wstępne przed montażem	1
3.2 - Zgodność bramki do zautomatyzowania i pobliskiego otoczenia	2
3.3 - Ograniczenia związane z użyciem produktu	2
3.4 - Prace przygotowawcze do montażu	2
3.5 - Montaż	2
3.6 - Ręczne odblokowanie i zablokowanie siłownika	2
4 - POŁĄCZENIA ELEKTRYCZNE	2
5 - TEST KONTROLNY I URUCHOMIENIE	2
5.1 - Test kontrolny	3
5.2 - Uruchomienie	3
6 - KONSERWACJA PRODUKTU	3
LIKwidACJA PRODUKTU	3
CECHY TECHNICZNE PRODUKTU	3
Trwałość produktu	4
DEKLARACJA ZGODNOŚCI CE	4
INSTRUKCJE I OSTRZEŻENIA PRZEZNACZONE DLA UŻYTKOWNIKA (załącznik do wycięcia)	II
RYSUNKI	.VIII - XIII

## 1 OGÓLNE UWAGI I ŚRODKI OSTROŻNOŚCI DOTYCZĄCE BEZPIECZEŃSTWA

### Uwagi dotyczące bezpieczeństwa

- **UWAGA!** – Niniejsza instrukcja zawiera ważne informacje i uwagi dotyczące bezpieczeństwa osób. Błędny montaż może być przyczyną poważnych ran. Przed rozpoczęciem pracy należy uważnie przeczytać wszystkie części instrukcji. W razie wątpliwości, przerwać montaż i zwrócić się po wyjaśnienia do Serwisu Obsługi Klienta Nice.
- **UWAGA!** – Ważne zalecenia: zachować niniejszą instrukcję w celu ewentualnych przyszłych interwencji konserwacyjnych i likwidacji produktu.
- **UWAGA!** – Zgodnie z najnowszym ustawodawstwem europejskim, wykonanie automatycznych drzwi lub bramki **musi zostać przeprowadzone według wytycznych z Dyrektywy 2006/42/WE (ex 98/37/WE) (Dyrektywa Maszynowa, a szczególnie wg norm EN 12445; EN 12453; EN 12635 i EN 13241-1, które umożliwiają zadeklarowanie zgodności automatu. Uwzględniając powyższe, wszystkie czynności związane z montażem, podłączeniem, testem kontrolnym i konserwacją produktu musi wykonać wykwalifikowany i kompetentny technik!**

### Uwagi dotyczące montażu

- Przed rozpoczęciem montażu sprawdzić, czy niniejszy produkt jest odpowiedni do przeprowadzenia automatyzacji Państwa bramki lub bramy (patrz rozdział 3 i "Cechy techniczne produktu"). Jeśli nie jest odpowiedni, NIE kontynuować montażu.
- **Wszystkie czynności montażowe i konserwacyjne należy wykonać, gdy automat jest odłączony od zasilania elektrycznego.** Jeśli urządzenie odłączające zasilanie nie jest widoczne z miejsca, w którym znajduje się automat, przed rozpoczęciem pracy, na urządzeniu odłączającym należy umieścić wywieszkę z napisem "UWAGA! KONSERWACJA W TOKU".
- Podczas montażu z automatem należy obchodzić się ostrożnie unikając zgniecen, uderzeń, upadków lub kontaktu z płynami jakiegokolwiek rodzaju. Nie umieszczać produktu w pobliżu źródeł ciepła, ani wystawiać go na działanie otwartych płomieni. Takie czynności mogą uszkodzić go i stać się przyczyną nieprawidłowości lub niebezpiecznych sytuacji. Jeśli zaistnieją, natychmiast przerwać montaż i zwrócić się do Serwisu Obsługi Klienta firmy Nice.
- Nie wprowadzać zmian na żadnej z części produktu. Niedozwolone czynności mogą tylko prowadzić do nieprawidłowości. Producent uchyla się od odpowiedzialności za szkody spowodowane samowolnymi zmianami na produkcie.
- Jeśli bramka lub brama do zautomatyzowania wyposażona jest w drzwi dla pieszych, należy przygotować instalację z systemem kontrolnym, który zablokuje funkcjonowanie silnika, gdy drzwi dla pieszych są otwarte.
- Materiał z opakowania produktu należy zlikwidować w pełni przestrzegając miejscowych przepisów.

## 2 OPIS PRODUKTU I JEGO PRZEZNACZENIE

Niniejszy produkt przeznaczony jest do zautomatyzowania bramek lub bram z wahadłowymi skrzydłami, w środowisku wyłącznie mieszkaniowym.

**UWAGA!** – Jakiegokolwiek użycie inne od opisanego i w warunkach środowiska innych od podanych w niniejszej instrukcji uznać należy za niewłaściwe i zakazane!

Produkt jest elektromechanicznym siłownikiem, wyposażonym w silnik na prąd stały o wartości 24 V. Siłownik zasilany jest z centrali zewnętrznej, do której należy go podłączyć.

W razie przerwy w dopływie energii elektrycznej (black-out), można poruszać skrzydłami bramki odblokowując siłownik za pomocą specjalnego klucza; w celu wykonania ruchu ręcznego patrz rozdział 3.6.

Produkt dostępny jest w 2 wersjach:

- XME2024 bez koderów, odpowiedni do centrali model MC424.
- XME2124 z koderem, odpowiedni do centrali model MC824H.

Nie korzystać z siłowników z niekompatybilnymi centralami.

## 3 MONTAŻ

### 3.1 - Kontrole wstępne przed montażem

Przed przejściem do montażu, należy sprawdzić integralność komponentów produktu, odpowiedność wybranego modelu i odpowiedniość otoczenia przeznaczonego do montażu.

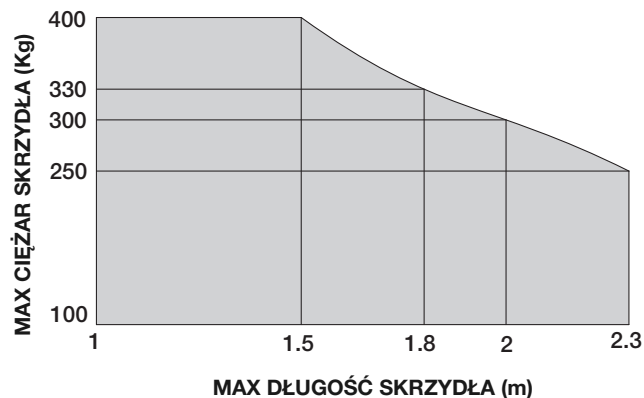
**WAŻNE** – Siłownik nie może zautomatyzować bramki ręcznej bez skutecznej i solidnej struktury mechanicznej. Ponadto, nie może naprawić uszkodzeń spowodowanych błędnym montażem lub nieprawidłową konserwacją samej bramki.

### 3.2 - Zgodność bramki do zautomatyzowania i pobliskiego otoczenia

- Sprawdzić, czy struktura mechaniczna bramki nadaje się do zautomatyzowania i jest zgodna z obowiązującymi na danym obszarze normami (ewentualnie odnieść się do danych na etykiecie bramki).
- Poruszając ręcznie skrzydłem bramki podczas Otwarcia i Zamknięcia, sprawdzić, czy ruch wykonywany jest z jednolitym tarciem w każdym punkcie biegu (nie powinno dojść do większych naprężeń).
- Sprawdzić, czy skrzydło bramki pozostaje w równowadze, tzn., czy nie przemieszcza się, jeśli zostanie ręcznie doprowadzona do jakiegokolwiek pozycji i pozostawiona nieruchomo.
- Sprawdzić, czy przestrzeń wokół siłownika umożliwia ręczne odblokowanie skrzydeł bramki, w sposób łatwy i pewny.
- Przygotować ograniczniki biegu na podłożu zarówno do otwarcia jak i do zamknięcia bramki.
- Sprawdzić, czy strefa mocowania siłownika jest zgodna z jego gabarytami (rys. 1).

### 3.3 - Ograniczenia związane z użyciem produktu

Przed zamontowaniem produktu należy sprawdzić, czy wymiary i ciężar skrzydła bramki znajdują się w zakresie granic wskazanych na wykresie 1; należy oszacować również warunki klimatyczne (np. silny wiatr) w miejscu montażu, które mogą znacznie ograniczyć wartości wskazane na wykresie.



### 3.4 - Prace przygotowawcze do montażu

Rys. 2 wskazuje przykład instalacji automatu wykonanej z użyciem komponentów Nice. Niniejsze komponenty rozmieszczone są zgodnie z typowym i zwyczajnym schematem.

Odnosząc się do rys. 2, należy ustalić przybliżoną pozycję, w której zostanie zamontowany każdy komponent przewidziany w instalacji i jak najbardziej odpowiedni schemat połączenia.

#### Komponenty przydatne do wykonania kompletnej instalacji (rys. 2):

- A - Siłowniki elektromechaniczne
- B - Centrala
- C - Para fotokomórek
- D - Kolumny do pary fotokomórek (C)
- E - Sygnalizator migający z wbudowaną anteną
- F - Klawiatura cyfrowa
- G - Para ograniczników mechanicznych podczas otwierania i zamykania
- H - Przełącznik na klucz

### 3.5 - Montaż

01. Przygotować wykop fundamentowy o znacznych wymiarach, aby włożyć skrzynkę fundamentową (rys. 3): przygotować kanał odpływowy do drenażu wody, aby uniknąć zastoju;
02. Umieścić skrzynkę fundamentową w wykopie, wyrównaną otworem z osią zawiasu górnego (rys. 4);
03. Przygotować jeden kanał do przeprowadzenia przewodu zasilania i jeden do drenażu wody;
04. Zanurzyć skrzynkę fundamentową w betonie, dbając o jej idealne wypozycjonowanie (rys. 5);
05. Na tym etapie, w dolnej części skrzydła wykonać 3 gwintowane otwory M10 o minimalnej głębokości 15 mm (rys. 6). *Adnotacja – Zamiast śrub można przymocować dźwignię zaczepową dla skrzydła solidnym spawem*;
06. Przymocować dźwignię zaczepową dla skrzydła korzystając z 3 śrub (rys. 6);
07. **WAŻNE!** – Nasmarować panewkę skrzynki fundamentowej (rys. 7);
08. Włożyć do panewki skrzynki fundamentowej, dźwignię zaczepową przymocowaną już do skrzydła (rys. 8);
09. Jeśli bramka wyposażona jest we własne ograniczniki mechaniczne (rys. 2 - G) przejść bezpośrednio do punktu 10. W przeciwnym razie, jeśli bramka nie posiada własnych ograniczników mechanicznych lub klient nie życzy sobie, aby na koniec biegu cały nacisk silnika oddziaływał na skrzydło, można skorzystać z ograniczników wewnętrznych siłownika i postąpić, jak wskazano poniżej:
  - a) Włożyć kołki regulacyjne (zarówno dla ograniczników podczas otwierania

jak i zamykania) do przygotowanych otworów znajdujących się w podporze skrzynki fundamentowej:

- **Otwarcie skrzydła o 90°:** patrz rys. 9 przypadku skrzydła lewego i skrzydła prawego.

- **Otwarcie skrzydła o 180°:** patrz rys. 10.

b) **Regulacja ograniczników (otwarcie i zamknięcie):** przykręcić ograniczniki, aż do pożądanego punktu blokady zarówno podczas otwarcia jak i podczas zamknięcia; następnie nałożyć nakrętki i jeśli pozycje ograniczników są właściwe, dokręcić nakrętki z całej siły (rys. 11);

10. Teraz włożyć silnik do skrzynki fundamentowej dopychając go do końca, aby otwory do przymocowania znajdujące się na siłowniku zgadzały się z otworami samej skrzynki (rys. 12);
11. Do otworów włożyć śruby mocujące z wyposażenia (rys. 13) i lekko je dokręcić, dopóki siłownik nie uniesie się lekko ponad spód skrzynki;
12. Następnie poruszyć lekko skrzydłem, aby umożliwić jego sprzęgnięcie się z silnikiem i docisnąć do końca śruby mocujące (rys. 14);
13. Przeprowadzić przewód zasilania przez uprzednio przygotowany kanał (rys. 15): aby wykonać połączenie elektryczne z centralą - patrz rozdział 4 i odnieść się do instrukcji samej centrali;
14. Umieścić na odpowiedniej pozycji trzy przykrywki "A, B, C" przestrzegając poniższej kolejności:
  - a) Oprzeć przykrywkę górną "A" na skrzynce fundamentowej i przesunąć ją do końca (rys. 16 - 1), jednocześnie włożyć w otwór przykrywkę "B" (rys. 16 - 2)
  - b) Przymocować przykrywkę "A" za pomocą 3 śrub z wyposażenia (rys. 16 - 3)
  - c) Przymocować przykrywkę dolną "C" korzystając ze śruby z wyposażenia (rys. 16 - 4 e 5).

### 3.6 - Ręczne odblokowanie i zablokowanie siłownika

Aby odblokować i zablokować siłownik, skorzystać z trójkątnego klucza z wyposażenia:

#### • Odblokowanie:

01. Włożyć klucz do jednego z 2 otworów bocznych na przykrywce górnej i przekręcić go o 180°, w jedną albo w drugą stronę (rys. 17);
02. Poruszyć ręcznie skrzydłem i doprowadzić je do pożądanej pozycji..

#### • Zablokowanie:

01. Włożyć klucz do jednego z 2 przygotowanych otworów i przekręcić go o 180°, w jedną albo w drugą stronę (rys. 17);
02. Skrzydło zablokuje się przy pierwszym ruchu zleconym z centrali.

## 4 POŁĄCZENIA ELEKTRYCZNE

#### Uwaga:

- Siłownik dostarczony jest z przewodem zasilania elektrycznego o długości 2 m. dlatego też, jeśli wymagany jest dłuższy przewód do wykonania połączeń elektrycznych, należy skorzystać z puszek rozgałęźnej (nie wchodzącej w skład wyposażenia). **WAŻNE!** – **Zakazane jest wydłużanie przedłużeń przewodu elektrycznego w skrzynce fundamentowej.**
- **Podłączenia elektryczne należy wykonać, gdy zasilanie sieciowe jest odłączone.**

Aby podłączyć przewód zasilania do centrali - patrz instrukcja centrali i następujące wskazania:

przewód <b>Niebieski</b> =	Zasilanie silnika 24 V
przewód <b>Brązowy</b> =	Zasilanie silnika 24 V
przewód <b>Czarny</b> =	Koder (tylko wersja XME2124)
przewód <b>Szary</b> =	Koder (tylko wersja XME2124)
przewód <b>Żółto-Zielony</b> =	Uziemienie

## 5 TEST KONTROLNY I URUCHOMIENIE

**UWAGA!** – Czynności opisane w niniejszym rozdziale może przeprowadzić wyłącznie wykwalifikowany i doświadczony personel, przestrzegając wytycznych z instrukcji, przepisów i norm bezpieczeństwa obowiązujących na danym obszarze.

Jest to najważniejszy etap przeprowadzania automatyzacji, aby zagwarantować maksymalne bezpieczeństwo instalacji. Z opisanej procedury testu kontrolnego można również skorzystać podczas okresowych kontroli urządzeń tworzących automat.

Etapy testu kontrolnego i uruchomienia automatu musi przeprowadzić wykwalifikowany i doświadczony personel, który wykona konieczne próby, aby sprawdzić rozwiązania przyjęte względem obecnego ryzyka oraz zastosowanie się do treści przepisów, norm i rozporządzeń: a szczególnie - wszystkie wytyczne normy EN 12445 ustalającej metody próbne kontroli automatów do bram.

**UWAGA!** – Przed przeprowadzeniem jakiegokolwiek kontroli, należy odłączyć wszystkie źródła zasilania elektrycznego.

## 5.1 - Test kontrolny

Każdy pojedynczy komponent automatu, na przykład czułe krawędzie, fotokodniki, zatrzymanie awaryjne, itd. wymaga specjalnego testu kontrolnego; dla tych urządzeń należy przeprowadzić procedury znajdujące się w odpowiednich instrukcjach obsługi.

Aby wykonać test kontrolny X-Metro, wykonać, co podano:

- 1 Sprawdzić, czy surowo przestrzegano zaleceń w kwestii bezpieczeństwa z rozdziału 1 - Ogólne uwagi i środki ostrożności dotyczące bezpieczeństwa;;
- 2 Doprowadzić bramkę do pozycji zamknięcia;
- 3 Odłączyć jakiegokolwiek źródło zasilania elektrycznego od centrali;
- 4 Odblokować siłownik za pomocą odpowiedniego klucza, patrz paragraf 3.6;
- 5 Otworzyć ręcznie skrzydło aż do osiągnięcia maksymalnej pozycji otwarcia i sprawdzić, czy podczas ruchu brak jest punktów tarcia;
- 6 Sprawdzić, czy pozostawione nieruchomo skrzydło na jakiegokolwiek pozycji swojego biegu, nie rusza się;;
- 7 Sprawdzić, czy systemy bezpieczeństwa i ograniczniki mechaniczne są w dobrym stanie;
- 8 Sprawdzić, czy połączenia śrubowe są dobrze dokręcone;
- 9 W razie konieczności wyczyścić wnętrze skrzynki fundamentowej i sprawdzić, czy drenaż wody funkcjonuje poprawnie;
- 10 Zablokować siłownik za pomocą odpowiedniego klucza, patrz paragraf 3.6;
- 11 Doprowadzić zasilanie elektryczne do centrali;
- 12 Dokonać pomiaru siły uderzenia zgodnie z normą EN 12445. Jeśli kontrola "siły napędowej" użyta jest przez Centralę jako pomoc dla systemu, aby ograniczyć siłę uderzenia, należy spróbować wyregulować funkcje oferujące lepsze parametry;
- 13 W pobliżu automatu, przymocować na stałe etykietę opisującą sposób ręcznego odblokowania siłownika.

## 5.2 - Uruchomienie

Siłownik można uruchomić dopiero po pomyślnym przeprowadzeniu i zakończeniu wszystkich faz testu kontrolnego zarówno siłownika jak i innych obecnych urządzeń. Aby przygotować sprzęt do pracy, odnieść się do instrukcji obsługi Centrali.

**WAŻNE** – Zakazane jest uruchamianie częściowe lub w sytuacjach "pro wizorycznych".

## 6 KONSERWACJA PRODUKTU

Zazwyczaj automat wymaga konserwacji okresowej, aby funkcjonować jak najdłużej i w stanie pełnego bezpieczeństwa. Należy zaplanować okresową konserwację automatu. Planowa konserwacja wymagana jest maksymalnie co 6 miesięcy.

Aby dokonać kontroli konserwacyjnych, należy powtórzyć procedurę opisaną w rozdziale 5.1 - Test kontrolny.

**Ważne!** – Przed przeprowadzeniem jakiegokolwiek kontroli, należy odłączyć wszystkie źródła zasilania elektrycznego.

## LIKWIDACJA PRODUKTU

Niniejszy produkt stanowi integralną część automatu, z tego względu musi zostać poddany likwidacji wraz z nim.

Tak, jak w przypadku czynności montażowych, również na zakończenie okresu funkcjonowania niniejszego produktu, czynności rozbiórki musi wykonać wykwalifikowany personel.

Niniejszy produkt został wykonany z różnych rodzajów materiału: niektóre z nich można poddać recyklingowi, inne - utylizacji. Należy zasięgnąć informacji dotyczących recyklingu lub utylizacji wskazanych w rozporządzeniach obowiązujących w Państwie kraju, dotyczących tej kategorii produktu..

**Uwaga!** – niektóre części produktu mogą zawierać substancje zanieczyszczające lub niebezpieczne, które po rozproszeniu w środowisku mogłyby negatywnie wpłynąć zarówno na środowisko jak i ludzkie zdrowie..

Jak wskazane przez symbol z boku, zakazane jest wyrzucanie niniejszego produktu do odpadów domowych. Należy więc dokonać "selektywnej zbiórki odpadów" w celu utylizacji, w sposób przewidziany przez rozporządzenia w Państwie kraju, lub zwrócić produkt do sprzedawcy w momencie zakupu nowego równoznacznego produktu.



**Uwaga!** – rozporządzenia obowiązujące na poziomie lokalnym mogą uwzględniać poważne kary w razie nielegalnej likwidacji niniejszego produktu.

## CECHY TECHNICZNE PRODUKTU

**UWAGI:** • Wszystkie podane cechy techniczne, odnoszą się do temperatury otoczenia 20°C (± 5°C). • Nice S.p.a. zastrzega sobie prawo wprowadzenia zmian w produkcie w jakimkolwiek momencie, gdy uzna to za konieczne, zachowując jednocześnie jego funkcjonalność i przeznaczenie..

■ Typologia	Siłownik elektromechaniczny do bramek lub bram skrzydłowych
■ Zasilanie	24 V ---
■ Pobór szczytowy	5 A
■ Pobór maksymalny	2 A
■ Moc szczytowa	120 W
■ Moc maksymalna	50 W
■ Stopień ochrony	IP 67
■ Bieg	od 0° do 90° (±10°) lub od 0° do 180° (±10°) [nie jest możliwe otwarcie pośrednie między 90° i 180°]
■ Prędkość na biegu jałowym	1.25 rpm
■ Prędkość z momentem znamionowym	1 rpm
■ Moment maksymalny	250 Nm
■ Moment znamionowy	120 Nm
■ Temperatura funkcjonowania	od -20 °C do +50 °C
■ Cykle/godzinę z momentem znam.	60
■ Trwałość	Szacowana na ok. 80.000 i 200.000 cykli ruchów, wg warunków podanych w Tabeli 1
■ Wymiary	230 mm x 206 mm x h 88 mm
■ Ciężar	15 Kg (siłownik ze skrzynką fundamentową)

## Trwałość produktu

Trwałość jest ekonomicznym "życiem" produktu. Wartość trwałości podlega silnemu wpływowi wskaźnikowi intensywności ruchów wykonanych przez automat: tzn. jest sumą wszystkich czynników wpływających na zużycie się produktu (patrz Tabela 1).

Aby ustalić prawdopodobny okres trwałości Waszego automatu, postąpić następująco:

01. Obliczyć wskaźnik intensywności, sumując wartości w procentach haseł z Tabeli 1;

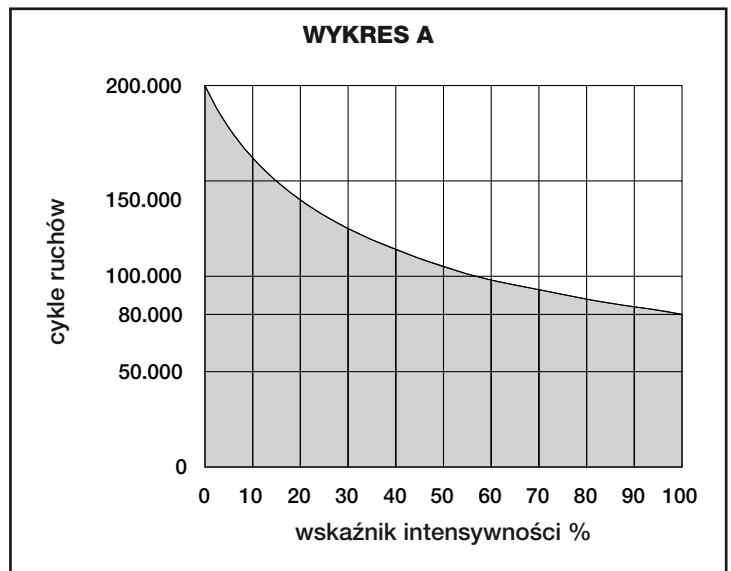
02. Na **Wykresie A** od dopiero co znalezionej wartości, nakreślić pionową linię aż do skrzyżowania jej z zakretem; z tego miejsca nakreślić linię poziomą aż do skrzyżowania jej z linią "cykli ruchów". Określona wartość jest szacowaną trwałością Waszego produktu.

Szacowanie trwałości odbywa się na podstawie obliczeń projektowych i wyników prób wykonanych na prototypach. Dlatego też, ze względu na to, że jest to tylko oszacowanie, nie stanowi żadnej gwarancji faktycznej trwałości produktu.

**TABELA 1**

Długość skrzydła	≥ 1.5 m	1.5 - 1.8 m	1.8 - 2 m	2 - 2.3 m
	<b>Wskaźnik intensywności</b>			
<b>Ciężar skrzydła</b>				
< 100 Kg	0 %	10 %	20 %	30 %
100 - 250 Kg	10 %	20 %	30 %	40 %
250 - 300 Kg	20 %	30 %	40 %	50 %
300 - 330 Kg	30 %	40 %	50 %	-
330 - 400 Kg	40 %	50 %	-	-
<b>Temperatura otoczenia wyższa niż 40°C lub niższa niż 0°C lub wilgotność wyższa niż 80%</b>				15 %
<b>Ślepe skrzydło</b>				15 %
<b>Montaż w strefie wietrznej</b>				15 %

**WYKRES A**



**Przykład obliczenia trwałości siłownika X-Metro (odnieść się do Tabeli 1 i Wykresu A):**

- długość skrzydła: 1,7 m i ciężar skrzydła: 200 Kg = wskaźnik intensywności: 20%

- Montaż w strefach wietrznych = wskaźnik intensywności: 15%

- nieobecne inne elementy wysiłkowe

Szacowana trwałość = 35%

Durabilità stimata = 120.000 cykli ruchów

## DEKLARACJA ZGODNOŚCI CE

**Adnotacja** - Zawartość niniejszej deklaracji jest zgodna z treścią ostatniej dostępnej wersji, przed wydrukowaniem niniejszej instrukcji, oficjalnego dokumentu złożonego w siedzibie firmy Nice Spa. Niniejszy tekst został przystosowany z przyczyn wydawniczych

Numer: 320/XME

Wersja: 0

Niżej podpisany Luigi Paro w funkcji Prezesa Zarządu, deklaruje na własną odpowiedzialność, że produkt:

**Nazwa producenta:** NICE s.p.a.

**Adres:** Via Pezza Alta 13, Z.I. Rustignè, 31046 Oderzo (TV) Italia

**Typ:** Siłownik elektromechaniczny 24Vd.c. zakopany w ziemi

**Modele:** XME2024, XME2124

**Akcesoria:** Brak akcesoriów

Jest zgodny z treścią następujących dyrektyw unijnych:

- 98/37/WE (89/392/EWG zmieniona) DYREKTYWA 98/37/WE PARLAMENTU EUROPEJSKIEGO I RADY z dnia 22 czerwca 1998 dotycząca zbliżenia ustawodawstwa Państw Członkowskich dotyczącego maszyn

Jak wskazano w dyrektywie 98/37/WE ostrzega się, że niedozwolone jest uruchamianie wyżej wymienionego produktu dopóki maszyna, w którą wbudowany jest produkt, nie jest oznaczona i zadeklarowana jako zgodna z dyrektywą 98/37/WE.

Ponadto, produkt jest zgodny z wytycznymi następujących dyrektyw unijnych, tak, jak zostało zmienione przez Dyrektywę 93/68/EWG rady z dnia 22 Lipca 1993:

- 2006/95/EWG(ex dyrektywa 73/23/WE) DYREKTYWA 2006/95/WE PARLAMENTU EUROPEJSKIEGO I RADY z dnia 12 grudnia 2006 dotycząca zbliżenia ustawodawstwa Państw członkowskich dotyczącego materiału elektrycznego przeznaczonego do użycia w zakresie wskazanych granic napięcia. Według następujących zharmonizowanych norm: EN 60335-1:1994+A11:1995+A11:1996+A12:1996+A13:1998+A14:1998+A15:2000+A2:2000+A16:2001
- 2004/108/EWG(ex dyrektywa 89/336/EWG) DYREKTYWA 2004/108/WE PARLAMENTU EUROPEJSKIEGO I RADY z dnia 15 grudnia 2004 dotycząca zbliżenia ustawodawstwa Państw członkowskich dotyczącego kompatybilności elektromagnetycznej i która odwołuje 89/336/EWG. Według następujących zharmonizowanych norm: EN 61000-6-2:2005; EN 61000-6-3:2007

Ponadto jest zgodny w sposób ograniczony do odpowiednich, możliwych do zastosowania części, z następującymi normami:

EN 60335-1:2002+A1:2004+A11:2004+A12:2006+ A2:2006, EN 60335-2-103:2003, EN 13241-1:2003; EN 12453:2002; EN 12445:2002; EN 12978:2003

Oderzo, 15 kwietnia 2009

Luigi Paro (Prezes Zarządu)

# Inhoudsopgave

1 - ALGEMENE WAARSCHUWINGEN EN VOORZORGSMATREGELEN VOOR DE VEILIGHEID	1
2 - BESCHRIJVING VAN HET PRODUCT EN GEBRUIKSBESTEMMING	1
3 - INSTALLATIE	1
3.1 - Controles die aan de installatie voorafgaan	1
3.2 - Geschiktheid van het te automatiseren hek en de omringende ruimte	2
3.3 - Gebruikslimieten van het product	2
3.4 - Werken ter voorbereiding van de installatie	2
3.5 - Installatie	2
3.6 - Manuele deblokkering en blokkering van de reductiemotor	2
4 - ELEKTRISCHE AANSLUITINGEN	2
5 - TESTEN EN INDIENSTELLING	2
5.1 - Testen	3
5.2 - Indienstelling	3
6 - ONDERHOUD VAN HET PRODUCT	3
VUILVERWERKING VAN HET PRODUCT	3
TECHNISCHE KENMERKEN VAN HET PRODUCT	3
Duur van het product	4
EG-VERKLARING VAN OVEREENSTEMMING	4
INSTRUCTIES EN WAARSCHUWINGEN VOOR DE GEBRUIKER (bijlage kan uitgeknipt worden)	II
AFBEELDINGEN	.VIII - XIII

## 1 ALGEMENE WAARSCHUWINGEN EN VOORZORGSMATREGELEN VOOR DE VEILIGHEID

### Waarschuwingen voor de veiligheid

- **LET OP!** – Deze handleiding bevat belangrijke instructies en waarschuwingen voor de persoonlijke veiligheid. Een verkeerde installatie kan ernstig letsel veroorzaken. Alvorens het werk te beginnen, is het noodzakelijk de handleiding volledig te lezen. In geval van twijfel dient u de installatie te onderbreken en opheldering te vragen aan de Nice Assistentiedienst.
- **LET OP!** – Belangrijke instructies: bewaar deze handleiding voor eventuele toekomstige ingrepen m.b.t. onderhoud en vuilverwerking van het product.
- **LET OP!** – Volgens de recentste Europese wetgeving moeten, voor de realisatie van een deur of een automatisch hek, de normen in acht genomen worden die voorgeschreven worden door Richtlijn 2006/42/EG (ex 98/37/EG) (Machinerichtlijn), met name de normen EN 12445, EN 12453, EN 12635 en EN 13241-1 die het mogelijk maken de conformiteit van de automatisering te verklaren. In dit kader, moeten alle handelingen die verband houden met de installatie, de aansluiting, het testen en het onderhoud van het product uitsluitend uitgevoerd worden door een gekwalificeerd en competent technicus!

### Waarschuwingen voor de installatie

- Alvorens met de installatie te beginnen, moet gecontroleerd worden of dit product geschikt is voor het automatiseren van uw hek of poort (zie hoofdstuk 3 en de "Technische kenmerken van het product"). Indien het niet geschikt is NIET tot installatie overgaan.
- Alle werken die verband houden met de installatie en het onderhoud moeten plaatsvinden terwijl de automatisering van de elektrische voeding is afgesloten. Indien de voorziening die de afsluiting van de voeding tot stand brengt niet zichtbaar is vanuit de plaats waarin de automatisering opgesteld is, is het noodzakelijk, voordat het werk begonnen wordt, om een bord op deze voorziening aan te brengen met de tekst "LET OP! ONDERHOUD IN UITVOERING".
- Hanteer het automatisme tijdens de installatie met zorg en vermijd verpletteren, stoten, vallen van het automatisme of contact met vloeistoffen van ongeacht welke aard. Plaats het product niet in de nabijheid van warmtebronnen en stel het niet bloot aan open vuur. Al deze handelingen kunnen beschadiging, een slechte werking of gevaarlijke situaties veroorzaken. Indien dat gebeurt, dient u de installatie onmiddellijk te onderbreken en opheldering te vragen aan de Nice Assistentiedienst.
- Breng op geen enkel deel van het product wijzigingen aan. Niet toegestane handelingen kunnen niets anders dan een slechte werking veroorzaken. De fabrikant stelt zich op generlei wijze aansprakelijk voor schade als gevolg van willekeurige wijzigingen van het product.
- Indien het te automatiseren hek of de poort uitgerust is met een voetgangersdeur moet de installatie gereed gemaakt worden met een controlesysteem dat de werking van de motor belemmert wanneer de voetgangersdeur geopend is.
- Het verpakkingsmateriaal van het product moet weggegooid worden met volledige inachtneming van de plaatselijke wetgeving.

## 2 BESCHRIJVING VAN HET PRODUCT EN GEBRUIKSBESTEMMING

Dit product is bestemd om gebruikt te worden voor het automatiseren van hekken of poorten met scharnierende hekvleugels en uitsluitend in een woonomgeving.

**LET OP!** – Iedere vorm van gebruik, anders dan beschreven, dat plaatsvindt onder andere omgevingsvoorwaarden dan die, die in deze handleiding staan, moet als oneigenlijk en verboden worden beschouwd!

Het product is een elektromechanische reductiemotor voorzien van een motor met gelijkstroom 24 V. De reductiemotor wordt gevoed door de externe besturingskast waarop het aangesloten wordt.

In geval van een onderbreking van de elektrische energie (*black-out*), is het mogelijk om de vleugels van het hek te bewegen door de reductiemotor te deblokkeren met de daarvoor bestemde sleutel. Zie voor het uitvoeren van deze manuele manoeuvre hoofdstuk 3.6.

Het product is beschikbaar in 2 versies:

- XME2024 zonder encoder, geschikt voor besturingskasten model MC424.
- XME2124 met encoder, geschikt voor besturingskasten model MC824H

Gebruik de reductiemotoren niet met niet compatibele besturingskasten.

## 3 INSTALLATIE

### 3.1 - Controles die aan de installatie voorafgaan

Alvorens tot de installatie over te gaan, is het noodzakelijk om de intacte staat van de componenten van het product te controleren, evenals de geschiktheid van het gekozen model en van de ruimte waarin de installatie plaatsvindt.

**BELANGRIJK** – de reductiemotor kan geen manueel hek automatiseren dat geen efficiënte en veilige mechanische structuur bezit. Bovendien kan het geen defecten verhelpen die veroorzaakt werden door een verkeerde installatie of door slecht onderhoud van het hek.

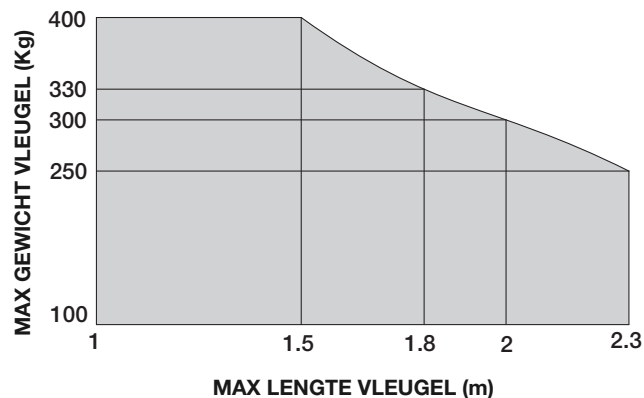


### 3.2 - Geschiktheid van het te automatiseren hek en de omringende ruimte

- Controleer of de mechanische structuur van het hek geschikt is om geautomatiseerd te worden in overeenstemming met de plaatselijk geldende normen (*raadpleeg eventueel de gegevens op het etiket van het hek*).
- *Open en sluit* de hekvleugel met de hand en controleer of de beweging plaatsvindt zonder wrijving, gelijkmatig en constant op ieder punt van het bewegingstraject (*er mogen geen momenten van grotere inspanning zijn*).
- Controleer of de vleugel van het hek in evenwicht blijft, dus niet beweegt wanneer het met de hand op ongeacht welke positie gezet en daar gelaten wordt.
- Controleer of de ruimte rondom de reductiemotor het mogelijk maakt om de vleugels van het hek gemakkelijk en veilig met de hand te deblokken.
- Zorg voor eindaanslagen op de grond voor zowel de opening als de sluiting van het hek.
- Controleer of de bevestigingszone van de reductiemotor compatibel is met het ruimtebeslag van de reductiemotor (afb. 1).

### 3.3 - Gebruikslimieten van het product

Alvorens het product te installeren, moet gecontroleerd worden of de vleugel van het hek de afmetingen en het gewicht heeft die zich binnen de limieten van **grafiek 1** bevinden. Beoordeel ook de klimaatsomstandigheden (bijvoorbeeld sterke wind) in de plaats van installatie. Deze kunnen de waarden in de grafiek aanzienlijk verlagen.



### 3.4 - Werken ter voorbereiding van de installatie

Afb. 2 toont een voorbeeld van een automatiseringsinstallatie die tot stand gebracht is met Nice componenten. Deze componenten zijn opgesteld volgens een typisch en gebruikelijk schema.

Raadpleeg **afb. 2**, en bepaal bij benadering de positie waarin iedere component van de installatie geïnstalleerd moet worden en het meeste geschikte aansluitschema.

#### Nuttige componenten voor het realiseren van een volledige installatie (afb. 2):

- A - Elektromechanische reductiemotoren
- B - Besturingskast
- C - Paar fotocellen
- D - Kolommen voor paar fotocellen (C)
- E - Knipperlicht met ingebouwde antenne
- F - Digitaal toetsenbord
- G - Paar mechanische aanslagen voor opening en sluiting
- H - Keuzeschakelaar met sleutel

### 3.5 - Installatie

01. Graaf een funderingsruimte met ruime afmetingen waarin de funderingskist geplaatst wordt (**afb. 3**): zorg voor een leiding voor de afvoer van het water om te voorkomen dat dit aanwezig blijft;
02. Plaats de funderingskist in de funderingsruimte en plaats het gat op één lijn met de as van het bovenste scharnier (**afb. 4**);
03. Zorg voor een leiding voor de passage van de voedingskabel en voor een leiding voor de waterafvoer;
04. Verzink de funderingskist in beton en zorg ervoor dat de kist perfect waterpas staat (**afb. 5**);
05. Boor nu op de onderkant van de vleugel 3 gaten met schroefdraad M10 en met een minimumdiepte van 15 mm (**afb. 6**). *Nota – Als alternatief voor de schroeven kan de koppelhendel van de vleugel met een stevige las vastgezet worden*;
06. Bevestig de koppelhendel voor de vleugel met gebruik van 3 schroeven (**afb. 6**);
07. **BELANGRIJK!** – **Smeer de bus van de funderingskist (afb. 7)**;
08. Plaats de koppelhendel die reeds op de vleugel bevestigd is in de bus van de funderingskist (**afb. 8**);
09. Indien het hek over eigen mechanische aanslagen beschikt (**afb. 2 - G**) kan men rechtstreeks met punt 10 verder gaan. Is dat niet het geval en heeft het hek geen eigen mechanische aanslagen, of indien men niet wilt dat de duwkracht van de motor aan het einde van het bewegingstraject volledig op de vleugel uitgeoefend wordt, is het mogelijk de eindaanslagen binnenin de reductiemotor te gebruiken en dient men als volgt te handelen:
  - a) Steek de regelpenen (voor zowel de eindaanslag van de opening als voor die van de sluiting) in de gaten op de houder van de funderingskist:

- **Opening vleugel op 90°**: zie **afb. 9** voor de linkervleugel en voor de rechtervleugel.

- **Opening vleugel op 180°**: zie **afb. 10**.

**b) Instelling van de eindaanslagen (opening en sluiting)**: schroef de eindaanslagen vast tot het gewenste punt van aanslag bereikt wordt voor zowel de opening als de sluiting. Voeg tenslotte de moeren toe. Zijn de posities van de eindaanslagen correct, span de moeren dan met kracht (**afb. 11**);

10. Plaats nu de motor binnenin de funderingskist en duw de motor naar binnen tot het einde van de kist waarbij de bevestigingsgaten op de reductiemotor samenvallen met die van de kist (**afb. 12**);
11. Steek de bijgeleverde bevestigingsschroeven (**afb. 13**) in de gaten en draai ze licht vast zodat de reductiemotor in een enigszins opgetilde positie ten opzichte van de bodem van de kist komt te staan;
12. Beweeg de hekvleugel langzaam om de koppeling van de motor mogelijk te maken en span de bevestigingsschroeven dan volledig (**afb. 14**);
13. Voer de voedingskabel door de kabelgeleider die eerder gelegd was (**afb. 15**): zie voor de totstandkoming van de elektrische aansluiting hoofdstuk 4 en raadpleeg de handleiding van de besturingskast zelf;
14. Plaats de drie deksels "A, B en C" met inachtneming van de hierna aangegeven volgorde:
  - a) Plaats het bovenste deksel "A" op de funderingskist en laat hem tot de aanslag schuiven (**afb. 16 - 1**). Steek op hetzelfde moment deksel "B" in de gleuf (**afb. 16 - 2**)
  - b) Zet deksel "A" vast met de bijgeleverde 3 schroeven (**afb. 16 - 3**)
  - c) Zet het onderste deksel "C" vast met de bijgeleverde schroef (**afb. 16 - 4 en 5**).

### 3.6 - Manuele deblokking en blokkering van de reductiemotor

Gebruik de bijgeleverde driehoekige sleutel voor de deblokking en de blokkering van de reductiemotor:

#### • Deblokking:

01. Steek de sleutel in één van de 2 zijgaten op het bovenste deksel en draai de sleutel 180° in ongeacht welke van de twee richtingen (**afb. 17**);
02. Beweeg de hekvleugel met de hand en zet hem in de gewenste stand.

#### • Blokkering:

01. Steek de sleutel in één van de 2 aanwezige gaten en draai de sleutel 180° in ongeacht welke van de twee richtingen (**afb. 17**);
02. De hekvleugel zal geblokkeerd worden bij de eerste manoeuvre die door de besturingskast bediend wordt.

## 4 ELEKTRISCHE AANSLUITINGEN

#### Waarschuwingen:

- De reductiemotor is voorzien van een elektrische voedingskabel met een lengte van 2 m. Indien de kabel voor de elektrische aansluitingen over een grotere afstand gelegd moet worden dient men een aftakkast te gebruiken (niet bijgeleverd). **BELANGRIJK!** – **Het is verboden om binnenin de funderingskist een verlenging van de voedingskabel tot stand te brengen.**
- **Voer de elektrische aansluitingen uit terwijl de netvoeding afgesloten is.**

Zie voor de aansluiting van de voedingskabel op de besturingskast de handleiding van de besturingskast en volg onderstaande aanwijzingen:

**Blaauwe draad** = Voeding motor 24 V

**Bruine draad** = Voeding motor 24 V

**Zwarte draad** = Encoder (alleen versie XME2124)

**Grijze draad** = Encoder (alleen versie XME2124)

**Geel/groene draad** = Aarde

## 5 TESTEN EN INDIENSTSTELLING

**LET OP!** – De handelingen die in dit hoofdstuk beschreven worden, dienen uitsluitend uitgevoerd te worden door gekwalificeerd en ervaren personeel met inachtneming van de instructies van de handleiding en de wetten en veiligheidsnormen die van kracht zijn in het grondgebied.

Dit is de belangrijkste fase bij de totstandkoming van de automatisering waar het erom gaat de maximale veiligheid van de installatie te garanderen. De beschreven testprocedure kan ook gebruikt worden om regelmatig na te kijken of de voorzieningen waaruit de automatisering bestaat correct werken.

De testfasen en de indienstelling van de automatisering moeten uitgevoerd worden door gekwalificeerd en ervaren personeel dat de testen vaststelt die nodig zijn om de oplossingen te controleren die aangewend zijn met betrekking tot de aanwezige risico's en dat controleert of de voorschriften van wetten, normen en reglementen in acht genomen zijn: met name alle vereisten van de norm EN 12445 die de testmethoden voor de controle van de automatiseringen van hekken vaststelt.

**LET OP!** – **Alvorens ongeacht welke controle uit te voeren is het noodzakelijk om iedere elektrische voedingsbron af te sluiten.**

## 5.1 - Testen

Alle afzonderlijke componenten van de automatisering, zoals bijvoorbeeld, gevoelige randen, fotocellen, noodstoppen enz., moeten aan een specifieke testfase worden onderworpen. Voor deze voorzieningen moeten de procedures gevolgd worden die in de respectievelijke handleidingen staan.

Handel als volgt voor het testen van X-Metro:

- 1 Controleer of, op het gebied van de veiligheid, de voorschriften van hoofdstuk 1 – Algemene waarschuwingen en voorzorgsmaatregelen voor de veiligheid - strikt in acht genomen zijn;
- 2 Zet het hek in de gesloten stand;
- 3 Sluit iedere elektrische voedingsbron naar de besturingskast af;
- 4 Deblokkeer de reductiemotor met de betreffende sleutel, zie paragraaf 3.6;
- 5 Open de hekvleugel met de hand tot deze de maximaal geopende stand bereikt en controleer of tijdens de beweging geen punten van wrijving aanwezig zijn;
- 6 Controleer of de hekvleugel, die in ongeacht welke positie van zijn bewegingstraject gelaten is, niet beweegt;
- 7 Controleer of de veiligheidssystemen en de mechanische aanslagen in goede staat verkeren;
- 8 Controleer of de schroefverbindingen goed vastgedraaid zijn;
- 9 Reinig zonodig de binnenkant van de funderingskist en controleer of de waterafvoer correct werkt;
- 10 Blokkeer de reductiemotor met de betreffende sleutel, zie paragraaf 3.6;
- 11 Schakel de elektrische voeding naar de besturingskast in;
- 12 Meet de botskracht volgens hetgeen voorgeschreven wordt door de norm EN 12445. Indien de controle van de "motorkracht" door de besturingskast gebruikt wordt als hulp bij het systeem voor de afname van de botskracht, probeer dan de functies te regelen die de beste parameters bieden;
- 13 Breng op permanente wijze een sticker aan in een zone nabij de automatisering waarop beschreven wordt hoe de reductiemotor met de hand gedeblokkeerd kan worden.

## 5.2 - Indienstelling

De indienstelling kan alleen plaatsvinden nadat alle testfasen van de reductiemotor en van de andere aanwezige voorzieningen met goed resultaat doorlopen zijn. Raadpleeg voor de uitvoering van de indienstelling de handleiding met instructies van de besturingskast.

**BELANGRIJK – De gedeeltelijke indienstelling of de indienstelling in "provisoirische" situaties is verboden.**

# 6

## ONDERHOUD VAN HET PRODUCT

De automatisering heeft doorgaans periodiek onderhoud nodig zodat hij zo lang mogelijk en volledig veilig kan werken. Het onderhoud van de automatisering moet met een periodieke frequentie gepland worden. Het is noodzakelijk dat het geprogrammeerde onderhoud met een maximaal interval van 6 maanden uitgevoerd wordt.

Herhaal de procedure die beschreven wordt in hoofdstuk 5.1 – Testen, voor het uitvoeren van de onderhoudscontroles.

**Belangrijk! – Alvorens ongeacht welke controle uit te voeren is het noodzakelijk om iedere elektrische voedingsbron af te sluiten.**

## VUILVERWERKING VAN HET PRODUCT

**Dit product maakt integraal deel uit van de automatisering en moet dus samen met de automatisering als vuil verwerkt worden.**

Net als voor de installatiewerkzaamheden, moet ook de ontmanteling aan het einde van de levensduur van het product uitgevoerd worden door gekwalificeerd personeel.

Dit product bestaat uit verschillende soorten materiaal: enkele materialen kunnen gerecycled worden, andere moeten worden weggegooid. Win inlichtingen in over recycling en vuilverwerking zoals deze voorgeschreven worden door de reglementen die op uw grondgebied van kracht zijn voor deze productcategorie.

**Let op!** – enkele delen van het product kunnen vervuilde of gevaarlijke substanties bevatten die, eenmaal in het milieu geloosd, schadelijke effecten voor het milieu en de menselijke gezondheid kunnen hebben.

Zoals door het symbool hierna aangeduid wordt, is het verboden dit product met huishoudelijk afval weg te gooien. Zorg dus voor een "gescheiden inzameling" volgens de methoden die voorgeschreven worden door de plaatselijke reglementen of overhandig het product aan de verkoper wanneer u een nieuw, gelijkaardig product aanschaft.



**Let op!** – de plaatselijke reglementen die van kracht zijn, kunnen zware boetes voorzien wanneer dit product op abusievelijk wijze weggegooid wordt.

## TECHNISCHE KENMERKEN VAN HET PRODUCT

**WAARSCHUWINGEN:** • Voor alle technische kenmerken die vermeld worden, wordt uitgegaan van een omgevingstemperatuur van 20°C (± 5°C). • Nice S.p.a. behoudt zich het recht voor om op ieder gewenst moment dat zij noodzakelijk acht wijzigingen op het product aan te brengen waarbij de werking en de gebruiksbepemming hoe dan ook gehandhaafd blijven.

■ Typologie	Elektromechanische reductiemotor voor hekken of poorten met scharnierende hekvleugels
■ Voeding	24 V ===
■ Piekabsorptie	5 A
■ Maximumabsorptie	2 A
■ Piekvermogen	120 W
■ Maximumvermogen	50 W
■ Beschermklasse	IP 67
■ Bewegingstraject	van 0° tot 90° (±10°) of van 0° tot 180° (±10°) [openingen tussen 90° en 180° zijn niet mogelijk]
■ Snelheid bij nullast	1.25 rpm
■ Snelheid bij het nominale koppel	1 rpm
■ Maximumkoppel	250 Nm
■ Nominaal koppel	120 Nm
■ Werktemperatuur	van -20 °C tot +50 °C
■ Cycli/uur bij nominaal koppel	60
■ Duur	Schatting tussen circa 80.000 en 200.000 manoeuvre cycli, onder de voorwaarden die in Tabel 1 staan
■ Afmetingen	230 mm x 206 mm x h 88 mm
■ Gewicht	15 Kg (reductiemotor met funderingskist)



## Levensduur van het product

De duurzaamheid en de gemiddelde economische levensduur van het product. De waarde van de levensduur wordt sterk beïnvloed door de zwaarteindex van de door het automatische uitgevoerde manoeuvres: dit is de som van alle factoren die bijdragen aan de slijtage van het product (zie Tabel 1).

Handel als volgt om de waarschijnlijke levensduur van uw automatische vast te stellen:

**01.** Bereken de zwaarteindex door de waarden in percenten van de items van **Tabel 1** bij elkaar op te tellen;

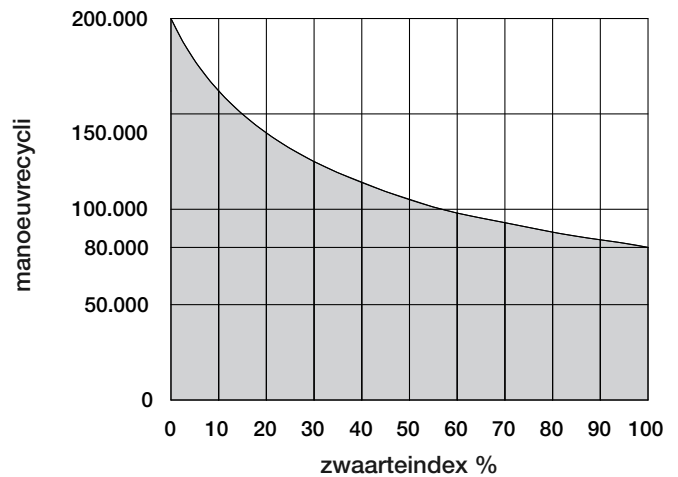
**02.** Traceer in **Grafiek A** vanuit de net gevonden waarde een verticale lijn tot de curve gekruist wordt. Traceer vanuit dit punt een horizontale lijn tot de lijn van de "manoeuvrecycli" gekruist wordt. De vastgestelde waarde is de geschatte levensduur van uw product.

De schatting van de levensduur wordt uitgevoerd op grond van ontwerpberekeningen en resultaten van testen die op prototypes uitgevoerd zijn. Het betreft inderdaad een schatting en vormt geen enkele garantie voor de daadwerkelijke levensduur van het product.

**TABEL 1**

Lengte van de vleugel	≥ 1.5 m	1.5 - 1.8 m	1.8 - 2 m	2 - 2.3 m
	<b>Zwaarteindex</b>			
<b>Gewicht vande vleugel</b>				
< 100 Kg	0 %	10 %	20 %	30 %
100 - 250 Kg	10 %	20 %	30 %	40 %
250 - 300 Kg	20 %	30 %	40 %	50 %
300 - 330 Kg	30 %	40 %	50 %	-
330 - 400 Kg	40 %	50 %	-	-
<b>Omgevingstemperatuur hoger dan 40°C of lager dan 0°C of vochtigheid hoger dan 80%</b>				15 %
<b>Blinde hekvleugel</b>				15 %
<b>Installatie in windrijke zone</b>				15 %

**GRAFIEK A**



**Voorbeeld van de berekening van de levensduur van een X-metro reductiemotor (raadpleeg tabel 1 en grafiek A):**

- lengte van de vleugel: 1,7 m en gewicht van de vleugel: 200 kg = zwaarteindex: 20%

- Installatie in windrijke gebieden = zwaarteindex: 15%

- geen andere elementen voor moeheid aanwezig

Totale zwaarteindex = 35%

Geschatte levensduur = 120.000 manoeuvrecycli

## EG-VERKLARING VAN OVEREENSTEMMING

**Nota** - De inhoud van deze verklaring stemt overeen met hetgeen verklaard werd in de laatst beschikbare herziening, voordat deze handleiding gedrukt werd, van het officiële document dat bij de vestiging van Nice Spa gedeponeerd is. Deze tekst is wegens redenen die met de uitgave verband houden opnieuw aangepast.

**Nummer:** 320/XME

**Herziening:** 0

Ondergetekende, Luigi Paro, in de hoedanigheid van Afgevaardigd Bestuurder, verklaart op eigen verantwoording dat het product:

**Naam fabrikant:** NICE s.p.a.  
**Adres:** Via Pezza Alta 13, Z.I. Rustignè, 31046 Oderzo (TV) Italia  
**Type:** Elektromechanische reductiemotor 24 V dc, ondergronds  
**Modellen:** XME2024, XME2124  
**Accessoires:** Geen accessoire

conform blijkt te zijn aan hetgeen voorgeschreven wordt door de volgende communautaire richtlijnen:

- 98/37/EG (gewijzigde 89/392/EEG) RICHTLIJN 98/37/EG VAN HET EUROPESE PARLEMENT EN VAN DE RAAD van 22 juni 1998 inzake de nadering van de wetgevingen van de Lidstaten waar het machines betreft

Zoals voorgeschreven wordt door richtlijn 98/37/EG wordt ervoor gewaarschuwd dat het niet toegestaan is het hiervoor vermelde product in dienst te stellen zolang de machine waarin het product wordt opgenomen niet geïdentificeerd is en conform met richtlijn 98/37/EG verklaard is.

Bovendien blijkt het product conform te zijn met hetgeen voorgeschreven wordt door de volgende communautaire richtlijnen, zoals deze gewijzigd zijn door Richtlijn 93/68/EEG van de raad, van 22 juli 1993:

- 2006/95/EEG (voorheen richtlijn 73/23/EG) RICHTLIJN 2006/95/EG VAN HET EUROPESE PARLEMENT EN VAN DE RAAD van 12 december 2006 inzake de nadering van de wetgevingen van de Lidstaten waar het elektrisch materiaal betreft dat bestemd is om binnen bepaalde spanningslimieten gebruikt te worden Volgens de volgende geharmoniseerde normen: EN 60335-1:1994+A11:1995+A12:1996+A13:1998+A14:1998+A15:2000+A2:2000+A16:2001
- 2004/108/EEG (voorheen richtlijn 89/336/EEG) RICHTLIJN 2004/108/EG VAN HET EUROPESE PARLEMENT EN VAN DE RAAD van 15 december 2004 inzake de nadering van de wetgevingen van de Lidstaten waar het de elektromagnetische compatibiliteit betreft en die richtlijn 89/336/EEG opheft Volgens de volgende geharmoniseerde normen: EN 61000-6-2:2005; EN 61000-6-3:2007

Bovendien blijkt de machine conform te zijn, beperkt tot de toepasselijke delen, met de volgende normen:

EN 60335-1:2002+A1:2004+A11:2004+A12:2006+ A2:2006, EN 60335-2-103:2003, EN 13241-1:2003; EN 12453:2002; EN 12445:2002; EN 12978:2003

Oderzo, 15 april 2009

Luigi Paro (Afgevaardigd Bestuurder)

Before using the automation for the first time, have the installer explain the origins of the residual risks and dedicate time to reading this instruction and warning manual given to you by the installer. Keep the manual for future reference and give it to any new owners of the automation.

**ATTENTION! – Your automation is a machine that follows your command faithfully; irresponsible and improper use can make it become dangerous:**

- Do not command movement of the automation if there are persons, animals or objects within its radius of action.
- It is prohibited to touch parts of the automation while the gate or the door is in movement!
- The photocells are not a safety device but just an auxiliary device regarding safety. They are constructed with very high reliability technology but can, in extreme situations, undergo malfunctioning or even break and, in certain cases, the breakdown may not be immediately evident. For this reason, when using the automation, it is necessary to pay attention to the following warnings:
  - Transit is only allowed when the gate or door is completely open with the panels at a standstill
  - IT IS PROHIBITED to transit while the gate or door is closing!
  - Periodically check the correct functioning of the photocells and have the envisioned maintenance checks performed at least every 6 months.

• **Children:** an automation plant guarantees a high level of safety; in fact, with its detection systems it controls and guarantees movement in the presence of persons or objects. It is however prudent to prohibit children from playing in proximity of the automation and not to leave the remote controls within their reach in order to prevent involuntary activation: **it is not a toy!**

• The product is not destined to be used by persons (including children) with reduced physical, sensorial or mental capacities or with no or little experience and knowledge, unless they have been able to benefit by surveillance or training regarding use of the product by means of a person responsible for their safety.

• **Anomalies:** if any anomalous behaviour is noticed, remove the electric power input to the plant and manually release the gear motor (see respective instruction manual) to make the gate function manually. Do not perform any self-taught repairs but request the intervention of your local installer.

• **Maintenance:** regular maintenance is required to keep the level of safety constant and guarantee the maximum duration of the entire automation (every 6 months). **Any control, maintenance or repairs operation must only be performed by qualified staff.**

• **Do not modify the plant and programming parameters and control unit regulation: your installer is responsible.**

• The inspection, periodic maintenance and any repairs must be documented by whoever is carrying out the job; the documents must be kept by the owner of the plant. The only interventions that the user can perform periodically are cleaning the lenses of the photocells (use a slightly damp soft cloth) and the removal of any leaves or stones that could block the automation. **Important** – Release the gear motor manually before proceeding in order to prevent the gate being activated accidentally (see respective instruction book).

• **Disposal:** at the end of the automation's life span, make sure that it is disposed of by qualified staff and that the materials are re-cycled or disposed of in compliance with the Standards valid at a local level.

• **Breakage or power cut:** while waiting for the intervention of your installer or the return of the power input, if the plant does not have buffer batteries, the automation can be used all the same: the gear motor must be released manually (see the dedicated paragraph successively) and move the gate panel manually as desired.

## RELEASE AND BLOCK THE GEAR MOTOR MANUALLY

The gear motor has a mechanical system that allows to open and close the gate manually.

These manual operations must be performed if there is a power cut or functioning anomalies. In the last case, the use of the release mechanism can also be useful to check if the fault depends on the mechanism itself.

To release and block the gear motor, use the supplied triangular spanner:

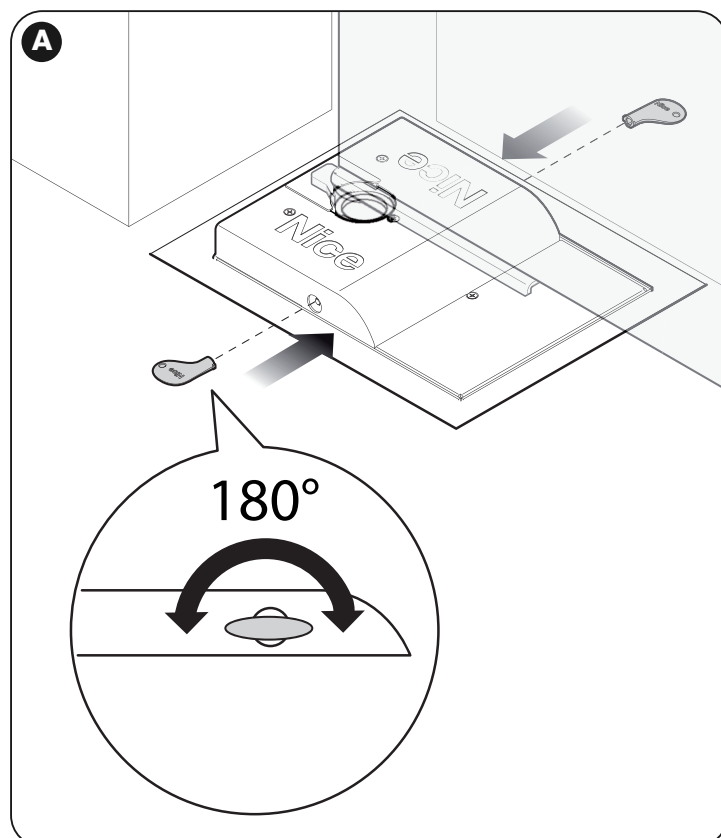
### • Release:

- 01.** Insert the wrench into one of the 2 lateral holes present on the upper lid and turn it 180°, indifferently in one of the two directions (**fig. A**);
- 02.** Move the panel manually and take it to the desired position.

**Note** – Due to the elastic effect of the panel, after release with the panel closed, it might not be possible to block the panel in the same position.

### • Block:

- 01.** Insert the wrench into one of the 2 lateral holes and turn it 180° indifferently in one of the two directions (**fig. A**);
- 02.** The panel will block at the first manoeuvre commanded by the control unit.



## ISTRUZIONI ED AVVERTENZE DESTINATE ALL'UTILIZZATORE

Prima di usare per la prima volta l'automazione, fatevi spiegare dall'installatore l'origine dei rischi residui e dedicate qualche minuto alla lettura di questo manuale d'istruzioni ed avvertenze per l'utilizzatore, consegnatovi dall'installatore. Conservate il manuale per ogni dubbio futuro e consegnatelo ad un eventuale nuovo proprietario dell'automazione.

**ATTENZIONE! – La vostra automazione è un macchinario che esegue fedelmente i vostri comandi; un uso incosciente ed improprio può farlo diventare pericoloso:**

- Non comandate il movimento dell'automazione se nel suo raggio di azione si trovano persone, animali o cose.
- È assolutamente vietato toccare parti dell'automazione mentre il cancello o il portone è in movimento!
- Le fotocellule non sono un dispositivo di sicurezza ma soltanto un dispositivo ausiliario alla sicurezza. Sono costruite con tecnologia ad altissima affidabilità ma possono, in situazioni estreme, subire malfunzionamenti o addirittura guastarsi e, in certi casi, il guasto potrebbe non essere subito evidente. Per questi motivi, durante l'utilizzo dell'automazione è necessario fare attenzione alle seguenti avvertenze:
  - Il transito è consentito solo se il cancello o portone è completamente aperto e con le ante ferme
  - È ASSOLUTAMENTE VIETATO transitare mentre il cancello o il portone si sta chiudendo!
  - Verificare periodicamente il corretto funzionamento delle fotocellule e far eseguire i controlli di manutenzione previsti, almeno ogni 6 mesi.

• **Bambini:** un impianto di automazione garantisce un alto grado di sicurezza; infatti, con i suoi sistemi di rilevazione controlla e garantisce il suo movimento in presenza di persone o cose. È comunque prudente vietare ai bambini di giocare in prossimità dell'automazione e non lasciare i telecomandi alla loro portata per evitare attivazioni involontarie: **non è un gioco!**

• Il prodotto non è destinato ad essere utilizzato da persone (bambini compresi) le cui capacità fisiche, sensoriali o mentali siano ridotte, oppure con mancanza di esperienza o di conoscenza, a meno che esse abbiano potuto beneficiare, attraverso l'intermediazione di una persona responsabile della loro sicurezza, di una sorveglianza o di istruzioni riguardanti l'uso del prodotto.

• **Anomalie:** se viene notato un qualunque comportamento anomalo dell'automazione, togliere l'alimentazione elettrica all'impianto ed eseguire lo sblocco manuale del motoriduttore (vedere rispettivo manuale istruzioni) per far funzionare manualmente il cancello. Non effettuare alcuna riparazione da autodidatta ma richiedere l'intervento del vostro installatore di fiducia.

• **Manutenzione:** per mantenere costante il livello di sicurezza e per garantire la massima durata dell'intera automazione è necessaria una manutenzione regolare (ogni 6 mesi). **Qualunque intervento di controllo, manutenzione o riparazione deve essere eseguito solo da personale qualificato.**

• **Non modificare l'impianto e i parametri di programmazione e di regolazione della centrale di comando: la responsabilità è del vostro installatore.**

• Il collaudo, le manutenzioni periodiche e le eventuali riparazioni devono essere documentate da chi esegue il lavoro; i documenti devono essere conservati dal proprietario dell'impianto. Gli unici interventi che l'utilizzatore può eseguire periodicamente, sono la pulizia dei vetri delle fotocellule (utilizzare un panno morbido e leggermente umido) e la rimozione di eventuali foglie o sassi che potrebbero ostacolare l'automatismo. **Importante** – Prima di procedere, per impedire che qualcuno possa azionare inavvertitamente il cancello, sbloccare manualmente il motoriduttore (vedere rispettivo manuale istruzioni).

• **Smaltimento:** al termine della vita dell'automazione, assicuratevi che lo smantellamento sia eseguito da personale qualificato e che i materiali vengano riciclati o smaltiti secondo le norme valide a livello locale.

• **Rottura o assenza di alimentazione:** in attesa dell'intervento del vostro installatore o del ritorno dell'energia elettrica, se l'impianto non è dotato di batterie tampone, l'automazione può essere ugualmente utilizzata: occorre eseguire lo sblocco manuale del motoriduttore (vedere di seguito il paragrafo dedicato) e muovere l'anta del cancello manualmente come si desidera.

### SBLOCCARE E BLOCCARE IL MOTORIDUTTORE MANUALMENTE

Il motoriduttore è dotato di un sistema meccanico che consente di aprire e chiudere il cancello manualmente.

Queste operazioni manuali devono essere eseguite nei casi di mancanza di corrente elettrica o di anomalie di funzionamento. In quest'ultimo caso, l'uso del meccanismo di sblocco può essere utile anche per verificare se il guasto dipende dal meccanismo stesso.

Per sbloccare e bloccare il motoriduttore, utilizzare la chiave triangolare in dotazione:

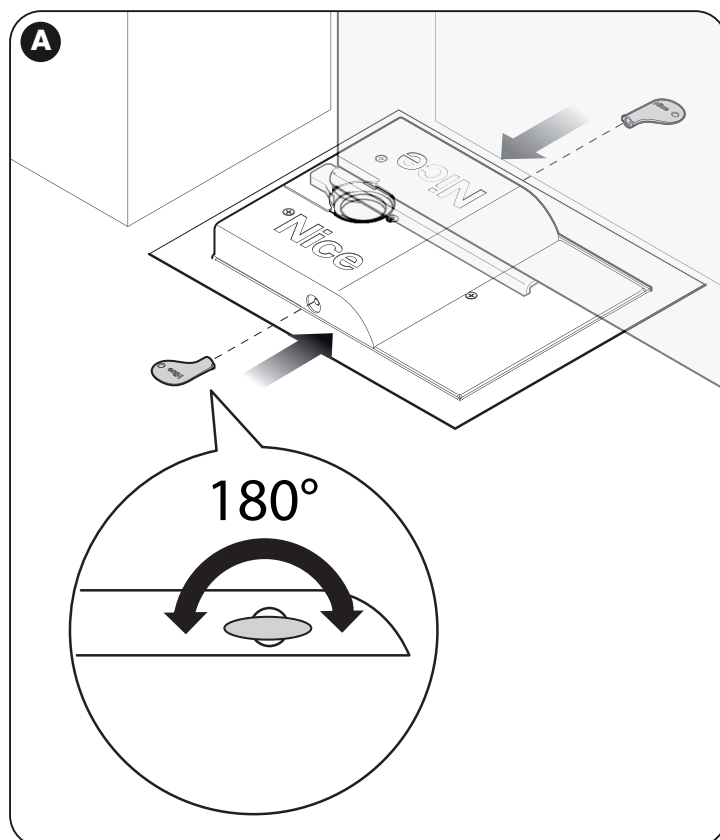
#### • Sblocco:

01. Inserire la chiave in uno dei 2 fori laterali presenti sul coperchio superiore e ruotarla di 180°, indifferentemente in uno dei due sensi (fig. A);
02. Muovere manualmente l'anta e portarla nella posizione desiderata.

**Nota** – Per effetto dell'elasticità dell'anta, dopo lo sblocco ad anta chiusa, potrebbe non essere possibile eseguire il blocco dell'anta nella stessa posizione.

#### • Blocco:

01. Inserire la chiave in uno dei 2 fori predisposti e ruotarla di 180°, indifferentemente in uno dei due sensi (fig. A);
02. L'anta si bloccherà alla prima manovra comandata dalla centrale.



# INSTRUCTIONS ET MISES EN GARDE DESTINÉES À L'UTILISATEUR

Avant d'utiliser pour la première fois l'automatisme, faites-vous expliquer par l'installateur l'origine des risques résiduels et réservez quelques minutes à la lecture de ce manuel d'instructions et de mises en garde pour l'utilisateur, qui vous a été remis par l'installateur. Conservez le manuel pour tout doute qui pourrait surgir dans le futur et remettez-le à tout nouveau propriétaire de l'automatisation.

**ATTENTION ! – Votre automatisme est une machine qui exécute fidèlement vos commandes ; une utilisation inconsciente et impropre peut la rendre dangereuses :**

- Ne commandez pas le mouvement de l'automatisme si des personnes, animaux ou choses se trouvent dans son rayon d'action.
- Il est strictement interdit de toucher toute partie de l'automatisme pendant que le portail ou la porte est en mouvement !
- Les photocellules ne sont pas un dispositif de sécurité mais seulement un dispositif auxiliaire de sécurité. Elles sont fabriquées avec une technologie hautement fiable mais peuvent, dans des situations extrêmes, subir des dysfonctionnements ou même tomber en panne et, dans certains cas, la panne pourrait ne pas être immédiatement évidente. Pour ces raisons, pendant l'utilisation de l'automatisme, il faut faire attention aux mises en garde suivantes :
  - Le passage n'est permis que si le portail ou la porte est complètement ouverte et avec les vantaux immobiles
  - IL EST STRICTEMENT INTERDIT de passer pendant que le portail ou la porte se renferme !
  - Vérifier périodiquement le fonctionnement correct des photocellules et faire exécuter les contrôles de maintenance prévus, au moins tous les 6 mois.

• **Enfants** : une installation d'automatisation garantit un haut niveau de sécurité ; en effet, grâce à ses systèmes de détection, elle contrôle et garantit son mouvement en présence de personnes ou de choses. Il est cependant prudent d'interdire aux enfants de jouer à proximité de l'automatisation et de ne pas laisser les commandes à distance à leur portée pour éviter toute activation involontaire : **ce n'est pas un jouet !**

• Le produit n'est pas destiné à être utilisé par des personnes (enfants y compris) dont les capacités physiques, sensorielles ou mentales seraient réduites ou ne disposant pas de l'expérience ou des connaissances nécessaires, à moins que ces personnes n'aient pu bénéficier, par l'intermédiaire d'une personne responsable de leur sécurité, d'une surveillance ou d'instructions sur l'utilisation du produit.

• **Anomalies** : en cas d'un comportement anormal quelconque de l'automatisation, débrancher l'alimentation électrique de l'installation et effectuer le déblocage manuel du motoréducteur (voir manuel d'instructions correspondant) pour faire fonctionner manuellement le portail. N'effectuer aucune réparation de bricolage mais demander l'intervention de votre installateur de confiance.

• **Maintenance** : une maintenance régulière (tous les 6 mois) est nécessaire afin de maintenir le niveau de sécurité constant et de garantir la durée maximale de toute l'automatisation. **Toute intervention de contrôle, maintenance ou réparation ne doit être effectuée que par du personnel qualifié.**

• **Ne pas modifier l'installation et les paramètres de programmation et de réglage de la centrale de commande : la responsabilité est de votre installateur.**

• Le test, les opérations de maintenance périodique et les réparations éventuelles doivent être documentés par celui qui effectue le travail ; les documents doivent être conservés par le propriétaire de l'installation. Les seules interventions que l'utilisateur peut effectuer périodiquement sont le nettoyage des vitres de photocellules (utiliser un chiffon souple et légèrement humide) et l'enlèvement des feuilles et des cailloux éventuels qui pourraient gêner l'automatisme. **Important** – Avant de procéder, pour empêcher que quelqu'un puisse actionner le portail par inadvertance, débloquent manuellement le motoréducteur (voir le manuel d'instructions correspondant).

• **Élimination** : à la fin de la vie de l'automatisation, assurez-vous que l'élimination soit effectuée par du personnel qualifié et que les matériaux soient recyclés ou éliminés selon les normes valables au niveau local.

• **Rupture ou absence d'alimentation** : dans l'attente de l'intervention de votre installateur ou du retour de l'énergie électrique, si l'installation n'est pas dotée de batteries tampon, l'automatisation peut cependant être utilisée : il faut effectuer le déblocage manuel du motoréducteur (voir ci-dessous le paragraphe à ce sujet) et déplacer le vantail du portail manuellement comme souhaité.

## DÉBLOQUER ET BLOQUER MANUELEMENT LE MOTORÉDUCTEUR

Le motoréducteur est doté d'un système mécanique qui permet d'ouvrir et de fermer le portail manuellement.

Ces opérations manuelles doivent être effectuées en cas de manque de courant électrique ou d'anomalies de fonctionnement. Dans ce dernier cas, l'utilisation du mécanisme de déblocage peut être utile aussi pour vérifier si la panne dépend du mécanisme lui-même.

Pour débloquent et bloquer le motoréducteur, utiliser la clé triangulaire fournie :

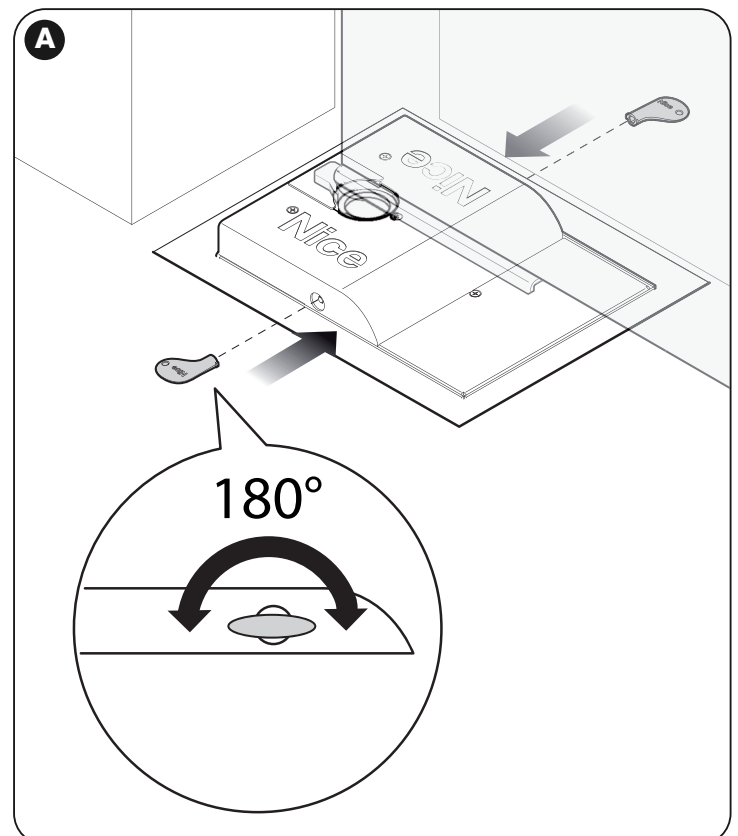
• **Déblocage** :

01. Insérer la clé dans un des 2 orifices latéraux présents sur le couvercle supérieur et la tourner de 180°, dans un des deux sens indifféremment (fig. A) ;
02. Déplacer manuellement le vantail et le situer dans la position souhaitée.

**Remarque** – Suite à l'effet de l'élasticité du vantail, après le déblocage à vantail fermé, il pourrait ne pas être possible d'effectuer le blocage du vantail dans la même position.

• **Blocage** :

01. Insérer la clé dans un des 2 orifices prévus et la tourner de 180°, dans un des deux sens indifféremment (fig. A) ;
02. Le vantail se bloquera à la première manœuvre commandée depuis la centrale.





# INSTRUCCIONES Y ADVERTENCIAS DESTINADAS AL USUARIO

Antes de usar por primera vez el automatismo, el instalador le debe explicar el origen de los riesgos residuales, y debe dedicar algunos minutos a la lectura de este manual de instrucciones y advertencias para el usuario, que le ha entregado el instalador. Conserve el manual para cualquier duda futura y, en caso de transferencia, entréguelo al nuevo propietario del automatismo.

**¡ATENCIÓN! – Su automatismo es una máquina que lleva a cabo fielmente los mandos que se le dan, por tanto, un uso inconsciente e inadecuado lo puede volver peligroso:**

– No ordene el movimiento del automatismo si en su rayo de acción se encuentran personas, animales o cosas.

– ¡Se prohíbe absolutamente tocar las partes del automatismo mientras la cancela o el portal están en movimiento!

– Las fotocélulas no son un dispositivo de seguridad, sino solo un dispositivo auxiliar para la misma. Están fabricadas con tecnología de altísima fiabilidad, pero en situación extremas, podrían sufrir problemas de funcionamiento o incluso averiarse, y en algunos casos la avería podría no encontrarse al instante. Por esta razón durante el uso del automatismo es necesario prestar atención a las siguientes advertencias:

- Se permite el tránsito solo si la cancela o portal están completamente abiertos o con las hojas detenidas

- ¡SE PROHÍBE ABSOLUTAMENTE transitar mientras la cancela o el portón se están cerrando!

- Controle periódicamente el funcionamiento correcto de las fotocélulas y haga realizar los controles de mantenimiento previstos, al menos cada 6 meses.

• **Niños:** una instalación de automatismo garantiza un alto grado de seguridad, de hecho, con sus sistemas de detección controla y garantiza su movimiento en presencia de personas o cosas. Sin embargo, no se debe permitir que los niños jueguen cerca del automatismo, y no se deben dejar los mandos a distancia al alcance de estos, para evitar activaciones involuntarias: **¡no es un juego!**

• El producto no ha sido ideado para ser usado por personas (incluyendo niños) con capacidades físicas, sensoriales o mentales reducidas, o bien sin la experiencia o el conocimiento necesarios, a menos que se encuentren bajo la supervisión o hayan recibido instrucciones para el uso del producto por parte de una persona responsable por su seguridad.

• **Anomalías:** si se nota cualquier comportamiento anómalo del automatismo, quite la alimentación eléctrica de la instalación y bloquee manualmente el motorreductor (véase el respectivo manual de instrucciones), para hacer funcionar manualmente la cancela. No lleve a cabo reparaciones sin ayuda, solicite la intervención de su instalador de confianza.

• **Mantenimiento:** para mantener constante el nivel de seguridad y para garantizar la máxima duración del sistema completo de automatización es necesario efectuar un mantenimiento regular (cada 6 meses). **Cualquier intervención de control, mantenimiento o reparación la debe realizar solo personal calificado.**

• **No modifique la instalación y los parámetros de programación y de regulación de la central de mando: la responsabilidad es de su instalador.**

• La inspección y pruebas, los mantenimientos periódicos y las posibles reparaciones las debe documentar quien los realiza; los documentos los debe conservar el propietario de la instalación. Las únicas intervenciones que el usuario puede realizar periódicamente, son la limpieza de los cristales de las fotocélulas (utilice un paño suave y humedecido) y la eliminación de posibles hojas o piedras que podrían obstaculizar el automatismo. **Importante** – Antes de continuar, para impedir que alguien pueda accionar inesperadamente la cancela, desbloquee manualmente el motorreductor (véase respectivo manual de instrucciones).

• **Eliminación:** al final de la vida útil del automatismo, asegúrese de que la demolición la realice personal calificado y que los materiales se reciclen o eliminen según las normas válidas a nivel local.

• **Rotura o ausencia de alimentación eléctrica:** mientras se espera la intervención de su instalador o el regreso de la corriente eléctrica, si la instalación no tiene baterías tampón, el automatismo se puede utilizar igualmente: se debe desbloquear manualmente el motorreductor (véase a continuación la sección correspondiente) y mover la hoja de la cancela manualmente como se desea.

## DESBLOQUEAR Y BLOQUEAR EL MOTORREDUCTOR MANUALMENTE

El motorreductor tiene un sistema mecánico que permite abrir y cerrar la cancela manualmente.

Estas operaciones manuales se deben realizar en los casos de falta de corriente eléctrica o de anomalías de funcionamiento. En este último caso el uso del mecanismo de desbloqueo puede ser útil también para controlar si la avería depende del mismo.

Para desbloquear y bloquear el motorreductor, utilice la llave triangular proporcionada:

### • Desbloqueo:

**01.** Introduzca la llave un uno de los 2 agujeros laterales presentes en la tapa superior, y gírela 180°, indistintamente en un sentido o en el otro (**fig. A**);

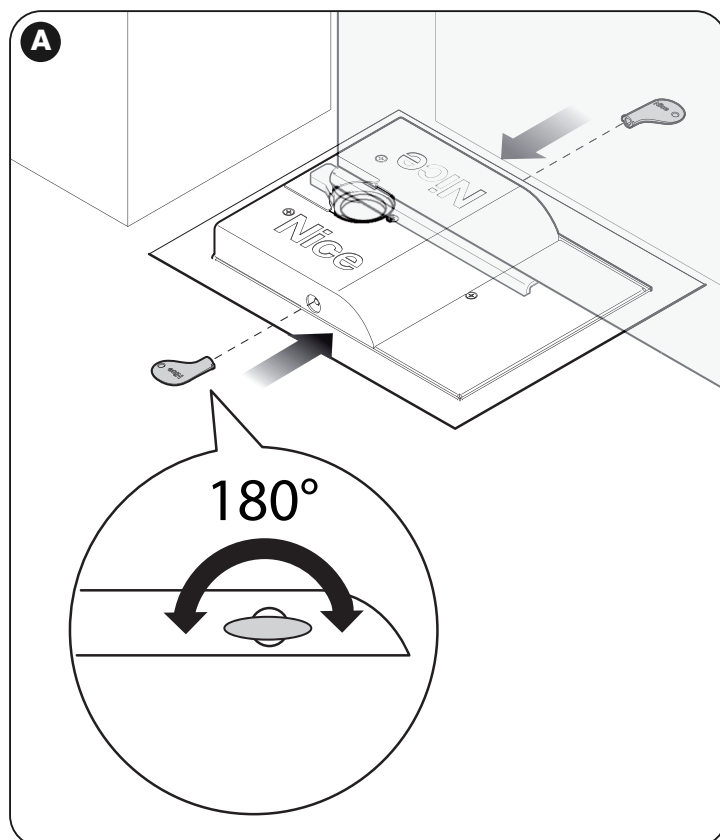
**02.** Mueva manualmente la hoja y colóquela en la posición deseada.

**Nota** – Por efecto de la elasticidad de la hoja, después del desbloqueo con la hoja cerrada, podría no ser posible bloquearla en la misma posición.

### • Bloqueo:

**01.** Introduzca la llave un uno de los 2 agujeros preparados y gírela 180°, indistintamente en un sentido o en el otro (**fig. A**);

**02.** La hoja se bloqueará con la primera maniobra que dirija la central.



# ANWEISUNGEN UND WARNHINWEISE FÜR DEN BENUTZER

Lassen Sie sich, bevor Sie den Torantrieb zum ersten Mal benutzen, vom Installateur die Ursache der Restrisiken erklären und nehmen Sie sich einige Minuten Zeit zum Lesen dieser Anweisungen und Warnhinweise für den Benutzer, die Ihnen vom Installateur ausgehändigt wurde. Bewahren Sie die Anleitung zum späteren Nachschlagen auf und geben Sie sie ggf. an einen neuen Besitzer des Antriebs weiter.

**ACHTUNG! – Ihr Torantrieb ist eine Maschine, die getreu Ihre Befehle ausführt; durch unbewussten und unsachgemäßen Gebrauch kann sie gefährlich werden:**

- Betätigen Sie den Antrieb niemals, wenn sich im Aktionsradius Personen, Tiere oder Sachen befinden.
- Während das Tor in Bewegung ist, ist das Berühren von Teilen des Torantriebs strengstens verboten!
- Die Photozellen sind keine Sicherheitsvorrichtung, sondern lediglich eine der Sicherheit dienende Vorrichtung. Sie sind mit höchst zuverlässiger Technik hergestellt, können aber in Extremsituationen gestört arbeiten oder sogar versagen und in bestimmten Fällen könnte der Defekt nicht sofort erkennbar sein. Aus diesen Gründen sind bei der Benutzung des Torantriebs die folgenden Hinweise zu beachten:
  - Das Passieren des Tors ist nur zulässig, wenn dies vollständig geöffnet ist und die Flügel still stehen
  - Während sich das Tor schließt, ist das Passieren **STRENGSTENS VERBOTEN!**
  - Kontrollieren Sie die Funktion der Photozellen regelmäßig und lassen Sie die vorgesehenen Wartungskontrollen mindestens alle 6 Monate durchführen.

• **Kinder:** Eine Torantriebsanlage gewährleistet einen hohen Sicherheitsgrad, denn durch ihre Erkennungssysteme kontrolliert und garantiert sie ihre Bewegung in Gegenwart von Personen oder Dingen. Dennoch sollten Sie Kindern vorsichtshalber verbieten, in der Nähe des Torantriebs zu spielen, und die Handsender nicht in ihrer Reichweite liegen lassen, um unbeabsichtigte Betätigung zu vermeiden: **Dies ist kein Spielzeug!**

• Das Produkt ist nicht bestimmt für den Gebrauch durch Personen (einschließlich Kindern) mit beschränkten körperlichen, sensorischen oder geistigen Fähigkeiten oder Mangel an Erfahrung oder Fachkenntnis, es sei denn, dass diese unter der Vermittlung einer für ihre Sicherheit verantwortlichen Person dabei beaufsichtigt werden oder eine Unterweisung im Gebrauch des Produkts erfahren haben.

• **Störungen:** Wenn Sie ein ungewöhnliches Verhalten des Torantriebs bemerken, trennen Sie die Anlage von der Stromversorgung und führen Sie die manuelle Entriegelung des Toröffners durch (siehe entsprechende Bedienungsanleitung), um das Tor manuell zu bedienen. Führen Sie als Autodidakt keine Reparaturen aus, sondern fordern Sie die Hilfe des Installateurs Ihres Vertrauens an.

• **Wartung:** Um das Sicherheitsniveau konstant zu halten und die maximale Lebensdauer des gesamten Torantriebs zu garantieren, muss regelmäßig eine Wartung erfolgen (alle 6 Monate). **Alle Kontroll-, Wartungs- und Reparaturarbeiten dürfen ausschließlich durch Fachpersonal durchgeführt werden.**

• **Nehmen Sie keine Änderungen an der Anlage und der Programmierung und Einstellung der Steuerung vor: Hierfür ist Ihr Installateur verantwortlich.**

• Die Prüfung, die regelmäßigen Wartungs- und eventuellen Reparaturarbeiten müssen durch den die Arbeit ausführenden dokumentiert werden; die Unterlagen sind vom Eigentümer der Anlage aufzubewahren. Die einzigen Arbeiten, die der Benutzer regelmäßig selbst ausführen darf, sind die Reinigung der Scheiben der Photozellen (mit einem weichen und leicht feuchten Tuch) und das Entfernen von Laub oder Steinen, die den Antrieb behindern könnten. **Wichtig** – Um zu verhindern, dass das Tor versehentlich betätigt werden kann, ist der Toröffner vor Arbeitsbeginn manuell zu entriegeln (siehe zugehörige Bedienungsanleitung).

• **Entsorgung:** Vergewissern Sie sich, dass der Torantrieb am Ende seiner Lebensdauer durch Fachpersonal demontiert und entsorgt wird und dass die Materialien gemäß den örtlich geltenden Bestimmungen dem Recycling bzw. der Entsorgung zugeführt werden.

• **Defekt oder Stromausfall:** Während Sie auf Ihren Installateur oder die Rückkehr der Stromversorgung warten und wenn die Anlage nicht mit Pufferbatterien ausgerüstet ist, der Antrieb trotzdem benutzt werden: Dazu ist die manuelle Entriegelung des Toröffners durchzuführen (siehe entsprechenden Abschnitt weiter unten) und der Torflügel manuell wie gewünscht zu bewegen.

## MANUELLES ENT- UND VERRIEGELN DES TORÖFFNERS

Der Toröffner ist mit einem mechanischen System ausgerüstet, das ein manuelles Öffnen und Schließen des Tores erlaubt.

Dieses manuelle Verfahren ist bei Ausfall der Stromversorgung und bei Funktionsstörungen anzuwenden. Im letzteren Fall kann der Entriegelungsmechanismus auch dazu dienen, zu prüfen, ob der Defekt vom Mechanismus selbst abhängig ist.

Zum Ent- und Verriegeln des Toröffners ist der mitgelieferte dreieckige Schlüssel zu verwenden:

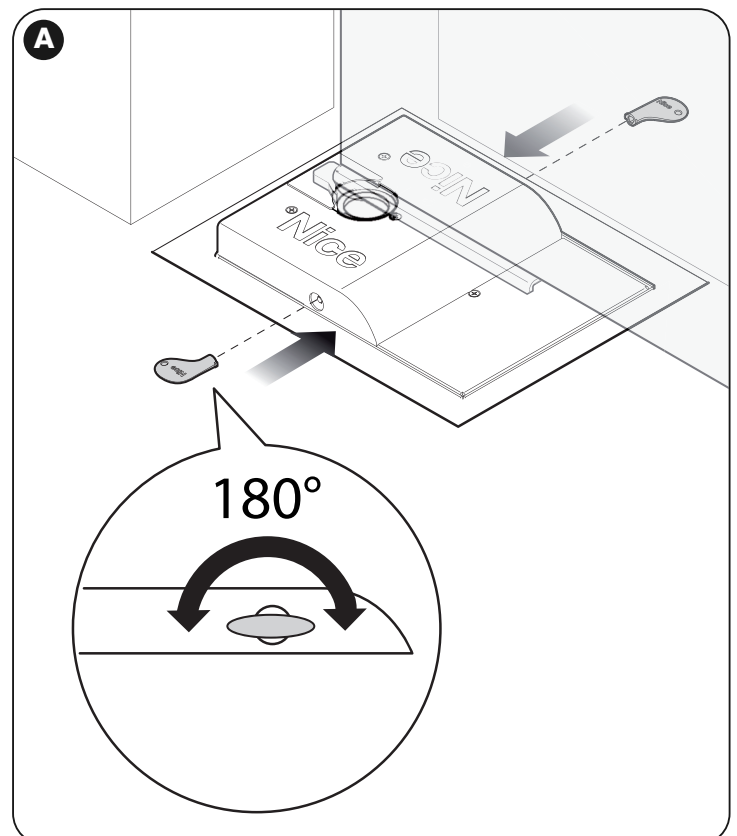
### • Entriegelung:

- 01.** Schlüssel in eine der beiden seitlichen Öffnungen im oberen Deckel einstecken und um 180° drehen, egal ob links- oder rechtsherum (**Abb. A**);
- 02.** Flügel manuell bewegen und in die gewünschte Stellung bringen.

**Anmerkung** – Aufgrund der Elastizität des Flügels könnte es nach dem Entriegeln bei geschlossenem Flügel eventuell nicht möglich sein, den Flügel in derselben Position zu verriegeln.

### • Verriegelung:

- 01.** Schlüssel in eine der beiden Öffnungen einstecken und um 180° drehen, egal ob links- oder rechtsherum (**Abb. A**);
- 02.** Der Flügel wird bei der ersten von der Steuerung ausgelösten Bewegung verriegelt.



# INSTRUKCJE I OSTRZEŻENIA PRZEZNACZONE DLA UŻYTKOWNIKA

Przed użyciem automatu po raz pierwszy, należy zwrócić się do instalatora, aby wyjaśnił źródła ryzyka szcążkowego i poświęcić kilka minut na przeczytanie zarówno niniejszej instrukcji obsługi jak i ostrzeżeń (uwag) dla użytkownika, wręczonych przez instalatora. Niniejszą instrukcję należy przechować w razie jakichkolwiek wątpliwości i przekazać ją ewentualnemu nowemu właścicielowi automatu.

**UWAGA! – Wasz automat jest mechanizmem, który wiernie wykonuje Wasze polecenia; bezmyślne i niewłaściwe użycie może stać się niebezpieczne:**

- Nie zlecać automatu ruchu, jeśli w promieniu jego działania znajdują się osoby, zwierzęta lub rzeczy.
- Surowo zakazane jest dotykanie części automatu, podczas gdy bramka lub brama są w ruchu!
- Fotokomórki nie są urządzeniem bezpieczeństwa, lecz jedynie urządzeniem pomocniczym ze względów bezpieczeństwa. Zostały wykonane z zastosowaniem najlepszej technologii, lecz w krańcowych sytuacjach, mogą ulec nieprawidłowościom, czy nawet uszkodzić się i w niektórych przypadkach, uszkodzenie to mogłoby nie być od razu widoczne. Z tego względu, podczas używania automatu, należy zwracać uwagę na następujące ostrzeżenia:
  - Przejście/przejazd są możliwe wyłącznie, gdy bramka lub brama są całkowicie otwarte, a skrzydła nieruchome
  - SUROWO ZABRANIA SIĘ przechodzić/przejeżdżać, gdy brama lub bramka zamyka się!
  - Okresowo należy sprawdzać właściwe funkcjonowanie fotokomórek i zlecić wykonanie zaplanowanych kontroli konserwacyjnych przynajmniej co 6 miesięcy..

• **Dzieci:** instalacja automatu gwarantuje wysoki stopień bezpieczeństwa; dzięki systemom pomiarowym, kontroluje i gwarantuje za ruch w obecności osób lub rzeczy. Wskazane jest jednak, aby zakazać dzieciom zabaw w pobliżu automatu i nie pozostawiać pilotów w ich zasięgu, aby uniknąć przypadkowego uruchomienia: **to nie jest zabawka!**

• Produkt nie jest przeznaczony do użycia przez osoby (włączając dzieci), których możliwości fizyczne, umysłowe czy psychiczne są ograniczone lub osoby nie posiadające doświadczenia czy wiedzy, z wyjątkiem sytuacji, w których dane osoby mogą skorzystać z obecności innej osoby odpowiedzialnej za ich bezpieczeństwo, z nadzoru lub wskazań dotyczących użycia produktu.

• **Nieprawidłowości:** jeśli zauważy się jakiegokolwiek nieprawidłowe zachowanie automatu, należy odłączyć zasilanie elektryczne od instalacji i ręcznie odblokować siłownik (patrz odpowiednia instrukcja obsługi), aby ręcznie doprowadzić do pracy bramki. Nie wykonywać samodzielnie żadnych napraw, lecz zwrócić się o interwencję do Waszego zaufanego instalatora.

• **Konserwacja:** aby zachować poziom bezpieczeństwa i zagwarantować maksymalny okres funkcjonowania całego automatu, konserwację należy przeprowadzać regularnie (co 6 miesięcy). **Jakiegokolwiek interwencji dotyczącej kontroli, konserwacji czy naprawy może dokonać wyłącznie wykwalifikowany personel.**

• **Nie wprowadzać zmian do instalacji i parametrów programowania i regulacji centrali: jest to zadanie dla Waszego instalatora.**

• Osoba przeprowadzająca test kontrolny, konserwację okresową i dokonującą ewentualnych napraw, musi to udokumentować; takie dokumenty musi przechować właściciel instalacji. Jedyne czynności, które może wykonać użytkownik od czasu do czasu, to czyszczenie szybki fotokomórek (korzystając z miękkiej, lekko wilgotnej szmatki) i usunięcie ewentualnych liści czy kamyczków, mogących zablokować automat. **Ważne** – Przed kontynuacją, należy ręcznie odblokować siłownik, aby nie dopuścić, żeby ktoś nieoczekiwanie uruchomił bramkę (patrz odpowiednia instrukcja obsługi).

• **Utylizacja:** na zakończenie okresu funkcjonowania automatu, należy upewnić się, że utylizacji dokona wykwalifikowany personel, a materiały zostaną podane recyklingowi lub utylizacji zgodnie z miejscowymi przepisami.

• **Uszkodzenie lub brak zasilania:** czekając na interwencję Waszego instalatora lub na powrót dopływu energii elektrycznej, jeśli instalacja nie jest wyposażona w baterie buforowe, z automatu można korzystać w dalszym ciągu: należy ręcznie odblokować siłownik (patrz poniżej specjalny paragraf) i ręcznie poruszyć skrzydłem bramki tak, jak się tego wymaga.

## ODBLOKOWAĆ I ZABLOKOWAĆ SIŁOWNIK RĘCZNIE

Siłownik wyposażony jest w mechaniczny system, umożliwiający otwarcie i zamknięcie bramki ręcznie.

Czynności te należy wykonać ręcznie w razie przerwy w dopływie prądu elektrycznego lub nieprawidłowości. W tym ostatnim przypadku, użycie mechanizmu odblokowującego może być przydatne również do sprawdzenia, czy uszkodzenie zależne jest od samego mechanizmu.

Aby odblokować i zablokować siłownik, skorzystać z trójkątnego klucza z wyposażenia:

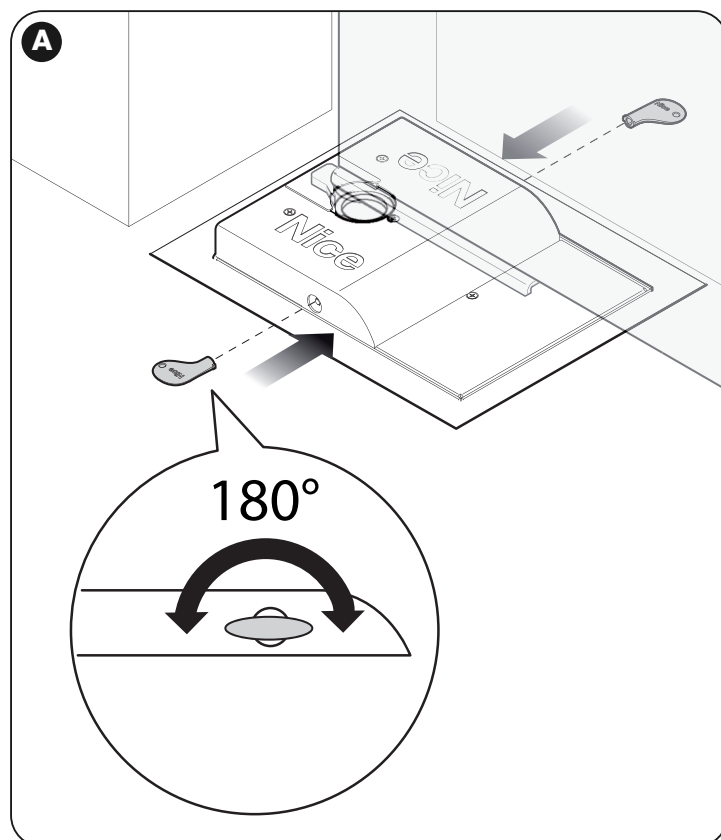
### • Odblokowanie:

01. Włożyć klucz do jednego z 2 otworów bocznych na przykrywce górnej i przekręcić go o 180°, w jedną albo w drugą stronę (**rys. A**);
02. Poruszyć ręcznie skrzydłem i doprowadzić je do pożądanej pozycji.

**Adnotacja** – Wskutek elastyczności skrzydła, po odblokowaniu przy zamkniętym skrzydle, może okazać się niemożliwe zablokowanie skrzydła na tej samej pozycji.

### • Zablokowanie:

01. Włożyć klucz do jednego z 2 przygotowanych otworów i przekręcić go o 180°, w jedną albo w drugą stronę (**rys. A**);
02. Skrzydło zablokuje się przy pierwszym ruchu zleconym z centrali.





# INSTRUCTIES EN WAARSCHUWINGEN VOOR DE GEBRUIKER

Voordat u het automatisme voor het eerst gebruikt, moet de installateur u uitleggen wat de oorzaak van de blijvende risico's is en dient u enkele minuten aan het lezen van deze handleiding en de waarschuwingen voor de gebruiker te besteden die u door de installateur overhandigd wordt. Bewaar de handleiding voor iedere toekomstige twijfel en overhandig de handleiding aan een eventuele nieuwe eigenaar van de automatisering.

**LET OP! - Uw automatisering is een machine die uw opdrachten trouw uitvoert. Onnadenkend en oneigenlijk gebruik kunnen het automatisme gevaarlijk maken:**

- Laat het automatisme geen bewegingen uitvoeren indien mensen, dieren of voorwerpen zich in diens actieradius bevinden.
- Het is absoluut verboden om de delen van de automatisering aan te raken terwijl het hek of de poort in beweging is!
- De fotocellen zijn geen veiligheidsvoorziening maar alleen een hulpvoorziening voor de veiligheid. Deze zijn geconstrueerd met een zeer betrouwbaar technologie maar kunnen in extreme situaties storingen ondergaan of zelfs kapot gaan en in zekere gevallen zou het defect niet onmiddellijk duidelijk zijn. Om deze redenen is het tijdens het gebruik van de automatisering nodig om op de volgende waarschuwingen te letten:
  - Doorgang is alleen toegestaan wanneer het hek of de poort volledig geopend is en de hekvleugels stilstaan
  - De doorgang is **ABSOLUUT VERBODEN** terwijl het hek of de poort aan het sluiten is!
  - Controleer regelmatig de correcte werking van de fotocellen en laat minstens om de 6 maanden de voorziene onderhoudscontroles uitvoeren.

• **Kinderen:** een automatiseringsinstallatie garandeert een hoge veiligheidsgraad. Met zijn detectiesystemen controleert en garandeert het inderdaad de eigen beweging wanneer mensen of objecten aanwezig zijn. Het is hoe dan ook voorzichtig om kinderen te verbieden in de nabijheid van het automatisme te spelen en laat de afstandsbedieningen niet binnen hun handbereik om een onvrijwillige activering te vermijden: **het is geen speelgoed!**

• Het product is niet bestemd om gebruikt te worden door mensen (met inbegrip van kinderen) wiens lichamelijke, zintuiglijke of geestelijke capaciteiten gereduceerd zijn, of door wie geen ervaring of kennis bezit, tenzij zij via de tussenkomst van iemand die voor hun veiligheid verantwoordelijk is, onder toezicht staan of instructies over het gebruik van het product van deze persoon ontvangen.

• **Afwijkingen:** indien afwijkend gedrag van het automatisme van welke aard ook geconstateerd wordt, neem dan de elektrische voeding naar de installatie weg en verricht de manuele deblokkering van de reductiemotor (zie de respectievelijke handleiding met instructies) om het hek manueel te laten werken. Verricht zelf geen enkele reparatie maar vraag om de tussenkomst van uw vertrouwensinstallateur.

• **Onderhoud:** Om het veiligheidsniveau constant te houden en om de maximale levensduur van de volledige automatisering te garanderen, is het noodzakelijk om regelmatig onderhoud uit te voeren (om de 6 maanden). **Iedere ingreep die verband houdt met de controle, het onderhoud of de reparatie dient alleen te worden uitgevoerd door gekwalificeerd personeel.**

• **De installatie en de parameters voor programmering en instelling van de besturingskast niet wijzigen:** dit is de verantwoording van uw installateur.

• Het testen, het periodieke onderhoud en de eventuele reparaties moeten gedocumenteerd worden door degene die het werk uitvoert. Deze documenten moeten bewaard worden door de eigenaar van de installatie. De enige ingrepen die de gebruiker zelf regelmatig kan uitvoeren, bestaat uit de reiniging van de ruitjes van de fotocellen (gebruik een zachte en enigszins vochtige doek) en uit de verwijdering van bladeren of stenen die de werking van het automatisme zouden kunnen belemmeren. **Belangrijk** – Alvorens te beginnen en om te voorkomen dat iemand het hek onverhoeds kan activeren, moet de reductiemotor met de hand gedeblokkeerd worden (zie de respectievelijke handleiding met instructies).

• **Vuilverwerking:** aan het einde van de levensduur van de automatisering dient u te controleren of de ontmanteling uitgevoerd wordt door gekwalificeerd personeel en of het materiaal gerecycled wordt dan wel wordt weggegooid volgens de plaatselijk geldende normen.

• **Stuk gaan of afwezigheid voeding:** in afwachting van de tussenkomst van uw installateur of van de terugkeer van de elektrische energie, en indien de installatie geen bufferbatterij heeft, kan de automatisering toch gebruikt worden: de reductiemotor moet manueel gedeblokkeerd worden (zie de volgende paragraaf die daarover gaat) en de vleugel kan naar wens met de hand bewogen worden.

## MANUEEL DEBLOKKEREN EN BLOKKEREN VAN DE REDUCTIEMOTOR

De reductiemotor is uitgerust met een mechanisch systeem waarmee het hek manueel geopend en gesloten kan worden.

Deze manuele handelingen moeten uitgevoerd worden wanneer de elektrische stroom ontbreekt of er storingen in de werking zijn. In dit laatste geval kan het mechanisme van de deblokkering ook nuttig zijn om te controleren of het defect van het mechanisme zelf afhankelijk is.

Gebruik de bijgeleverde driehoekige sleutel voor de deblokkering en de blokkering van de reductiemotor:

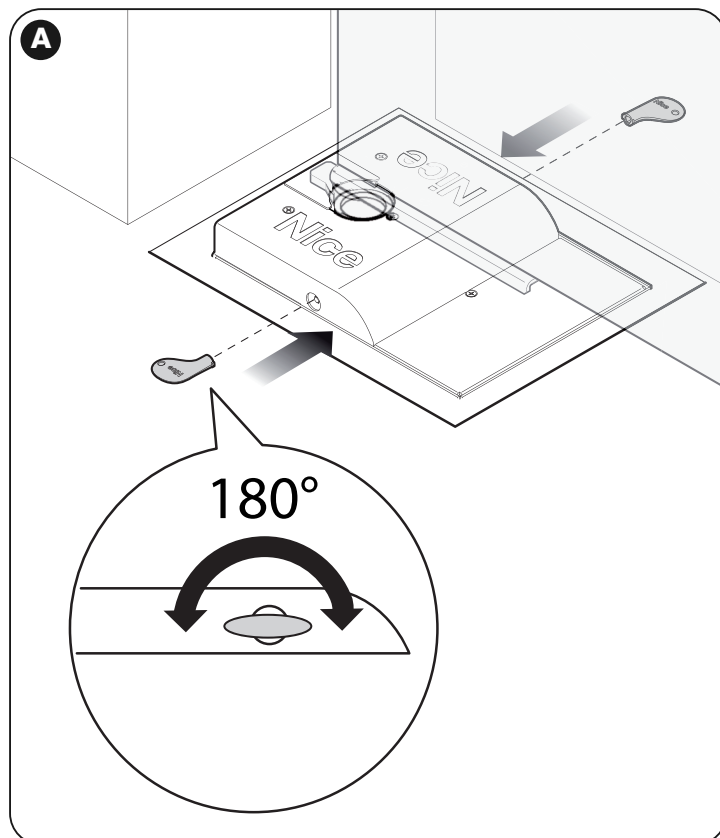
### • Deblokkering:

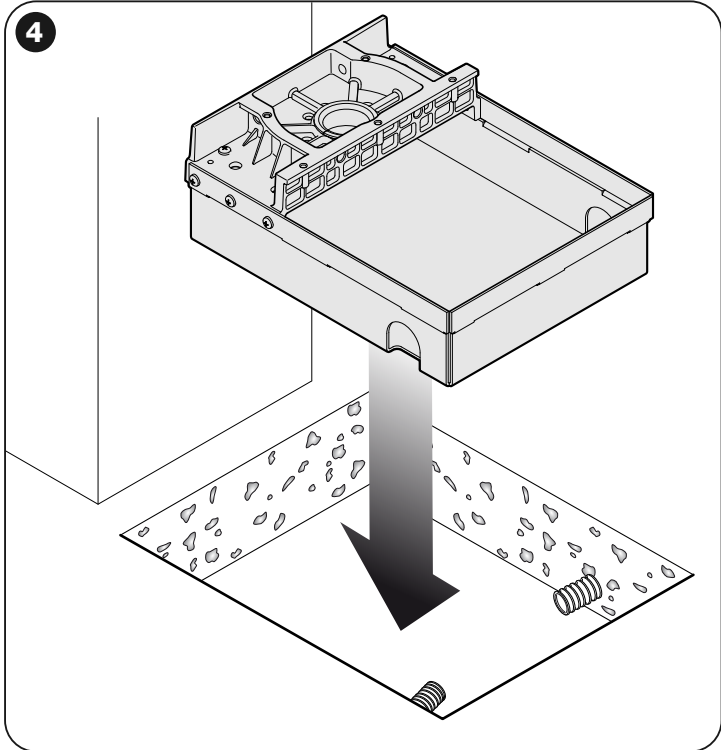
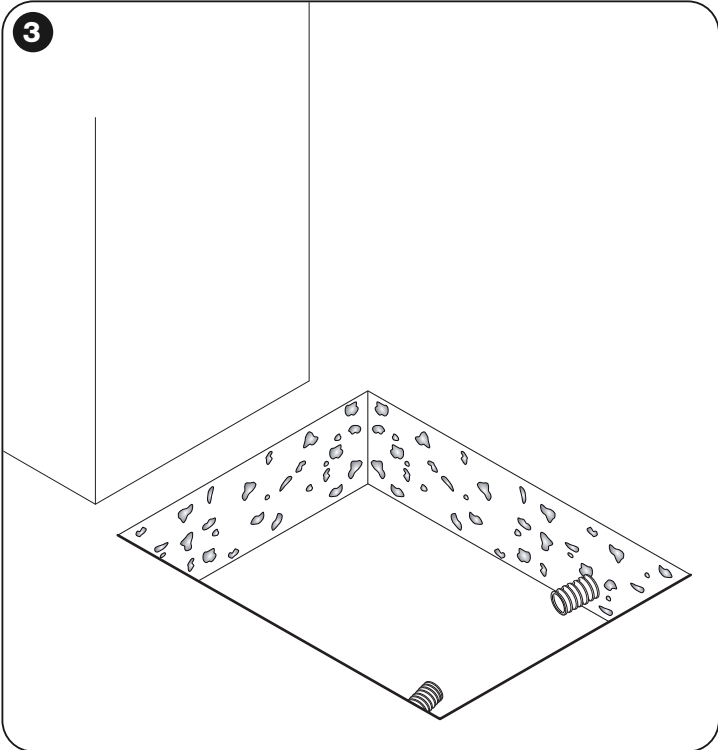
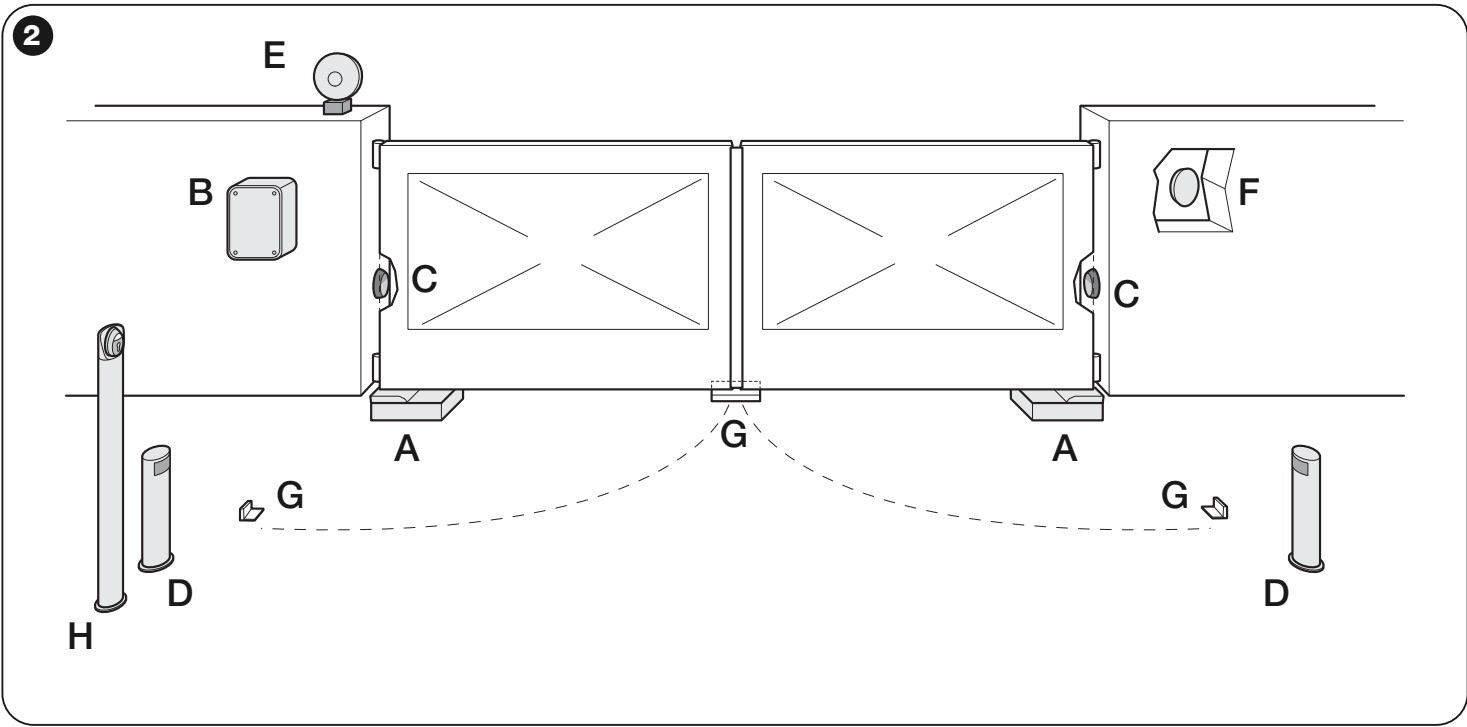
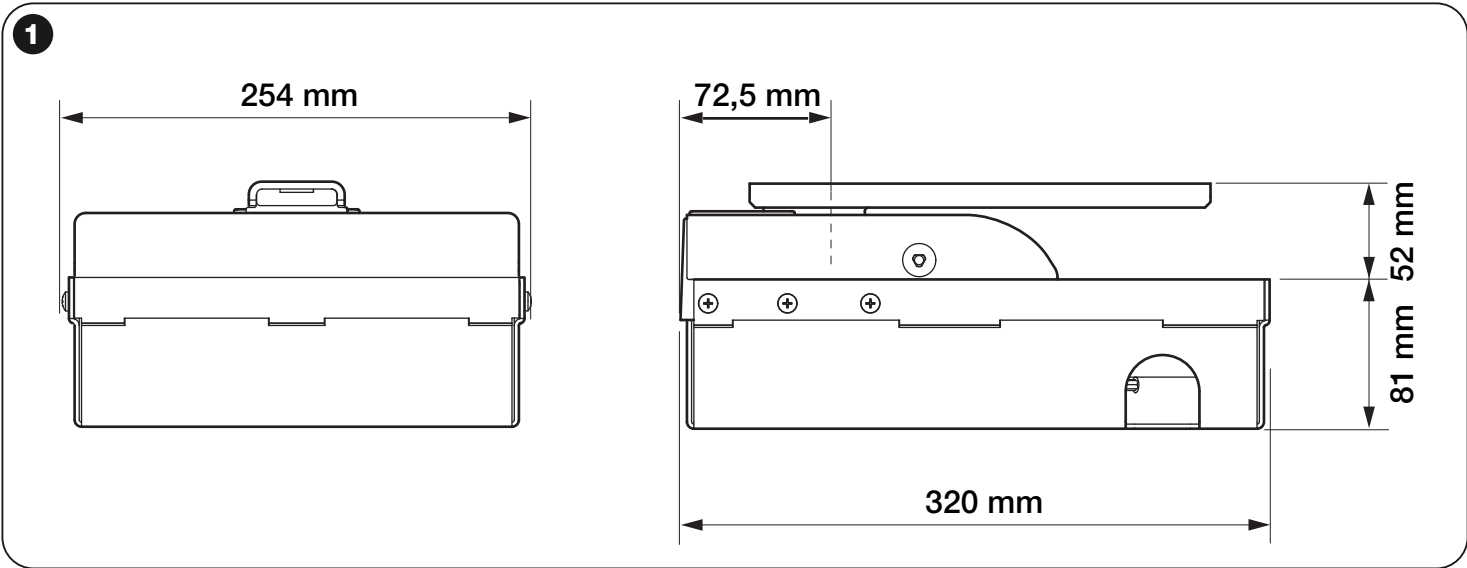
01. Steek de sleutel in één van de 2 zijgaten op het bovenste deksel en draai de sleutel 180° in ongeacht welke van de twee richtingen (**afb. A**);
02. Beweeg de hekvleugel met de hand en zet hem in de gewenste stand.

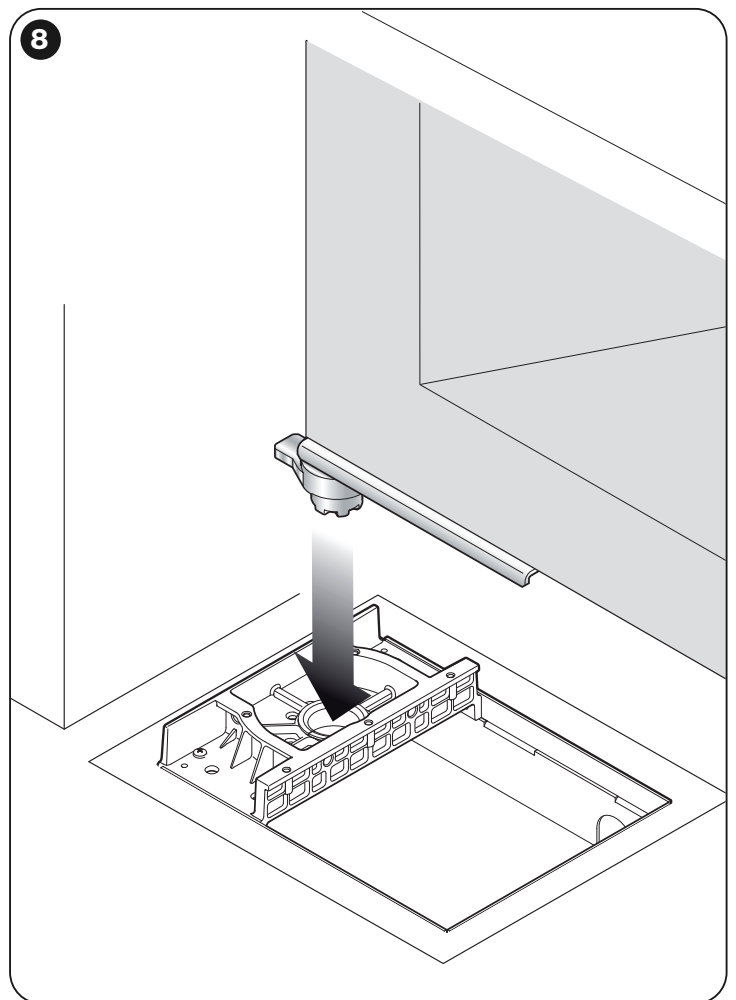
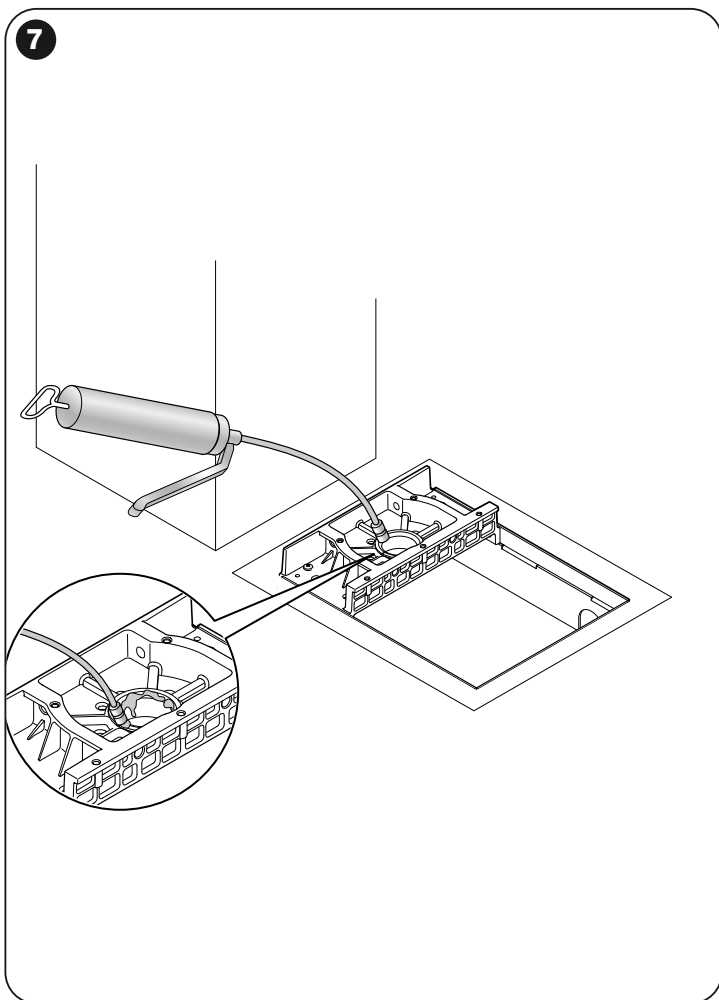
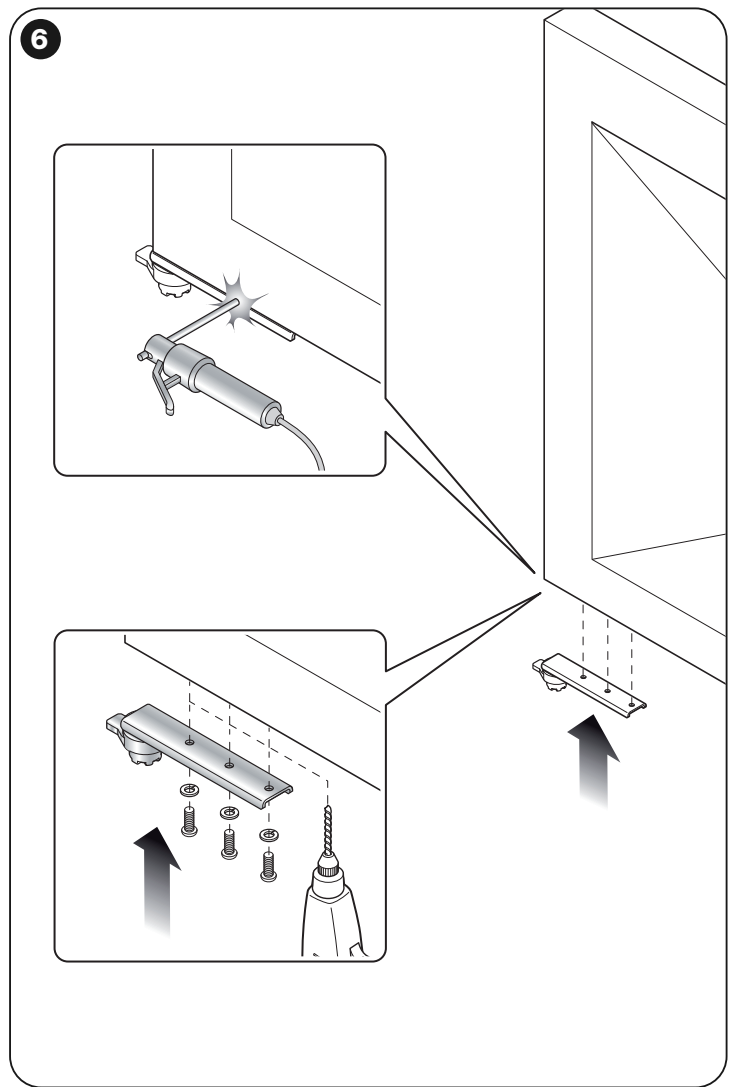
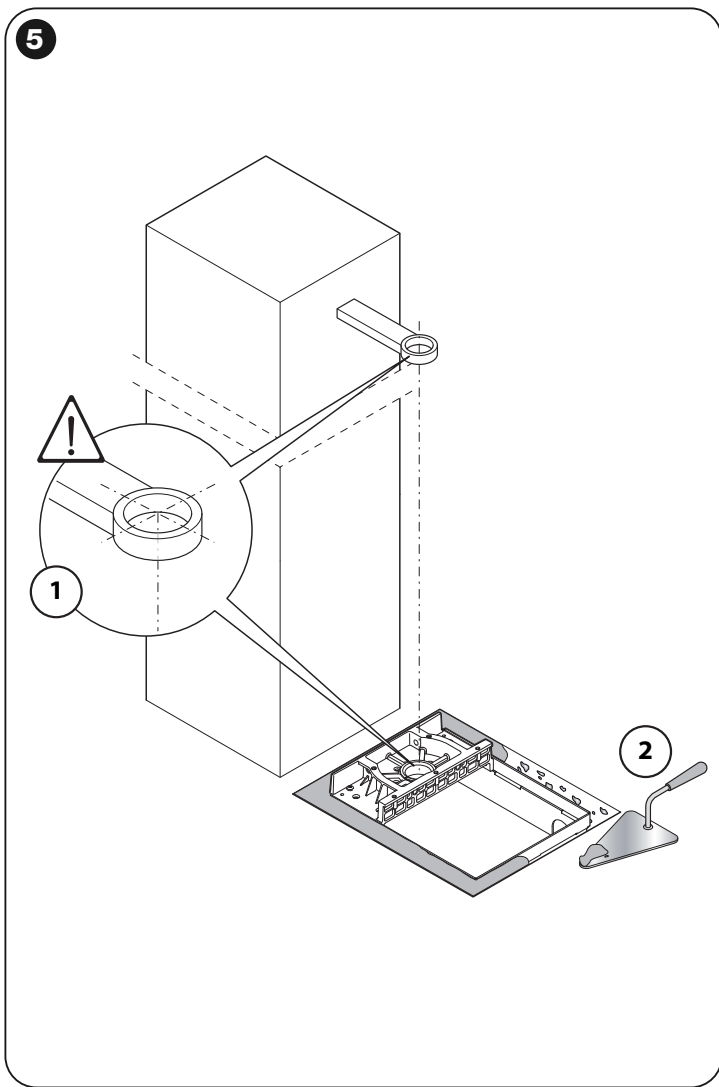
**Nota** – Door de elasticiteit van de hekvleugel zou het na de deblokkering met gesloten hekvleugel kunnen zijn dat het niet meer mogelijk is de hekvleugel in dezelfde positie te blokkeren.

### • Blokkering:

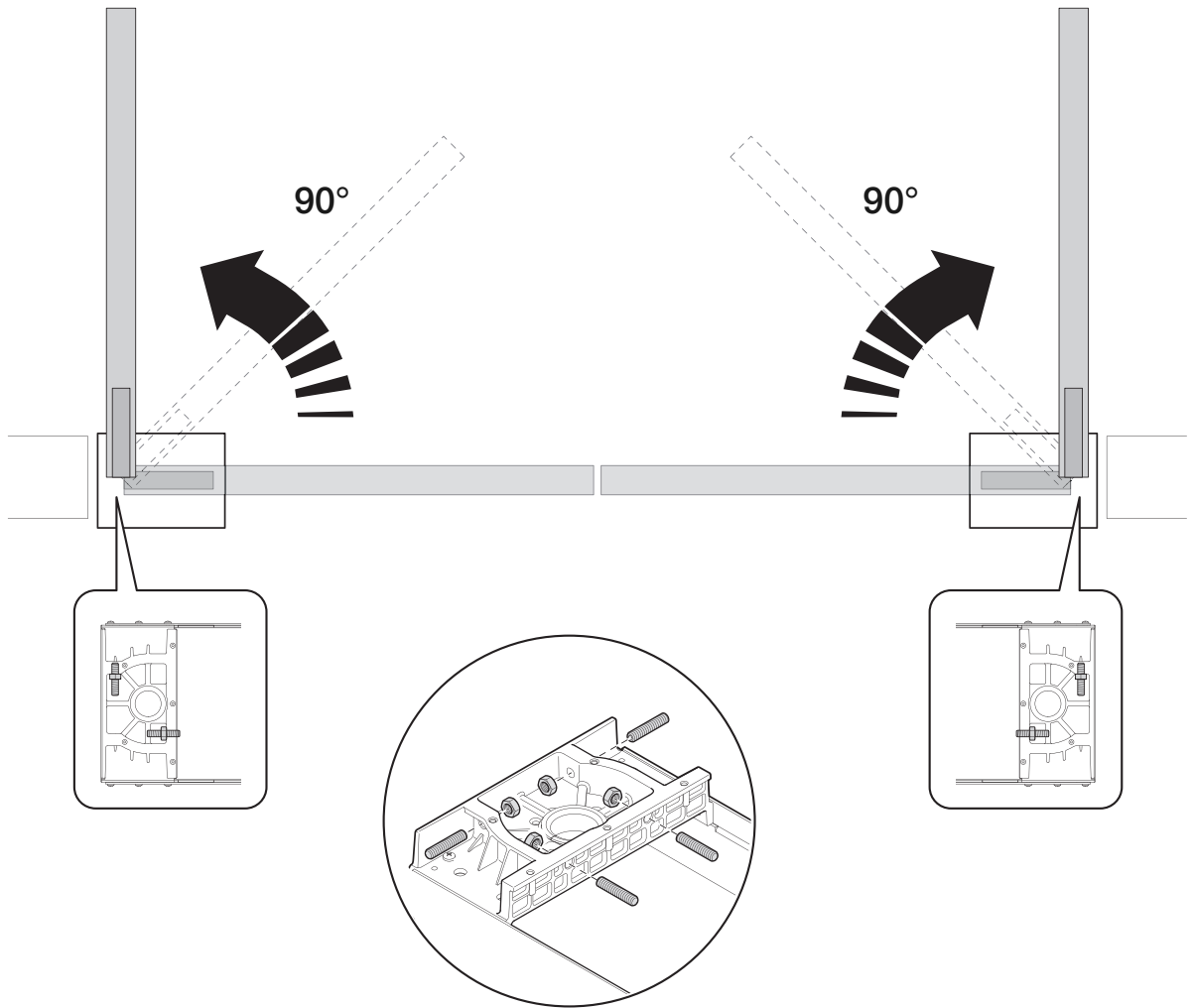
01. Steek de sleutel in één van de 2 aanwezige gaten en draai de sleutel 180° in ongeacht welke van de twee richtingen (**afb. A**);
02. De hekvleugel zal geblokkeerd worden bij de eerste manoeuvre die door de besturingskast bediend wordt.



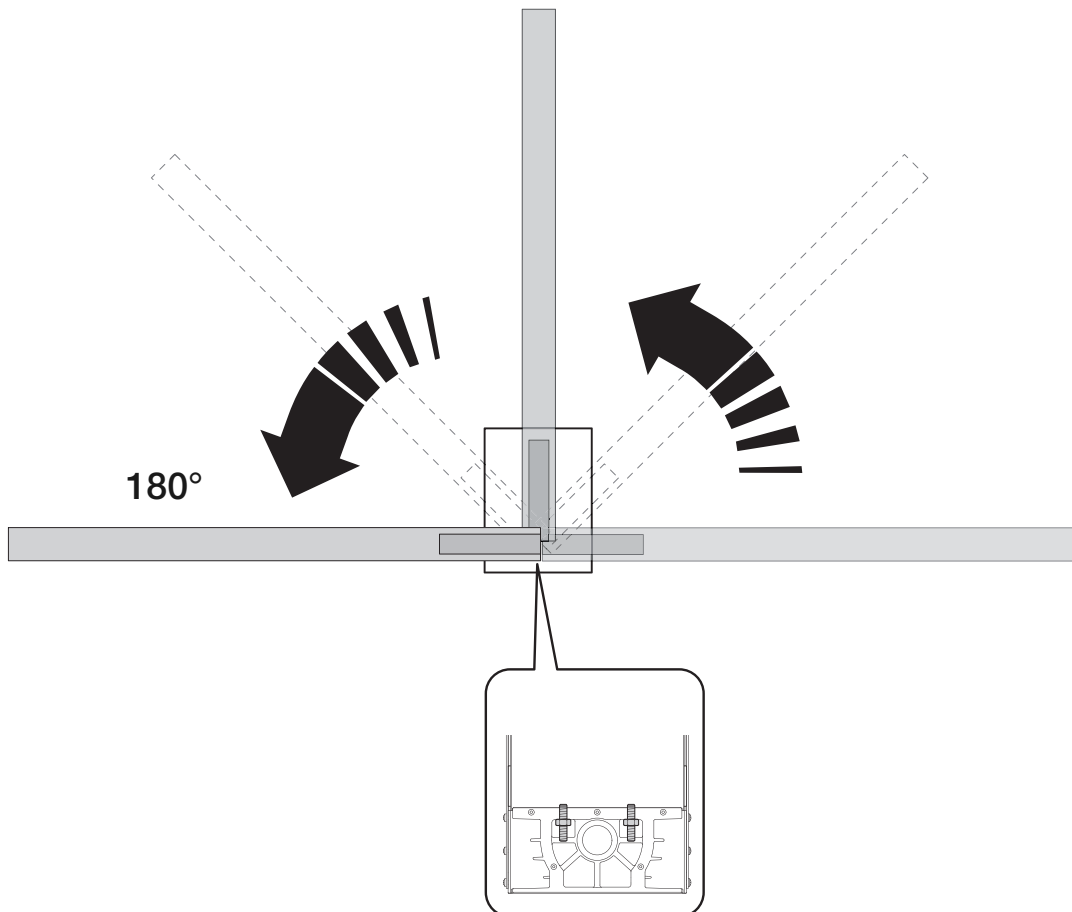




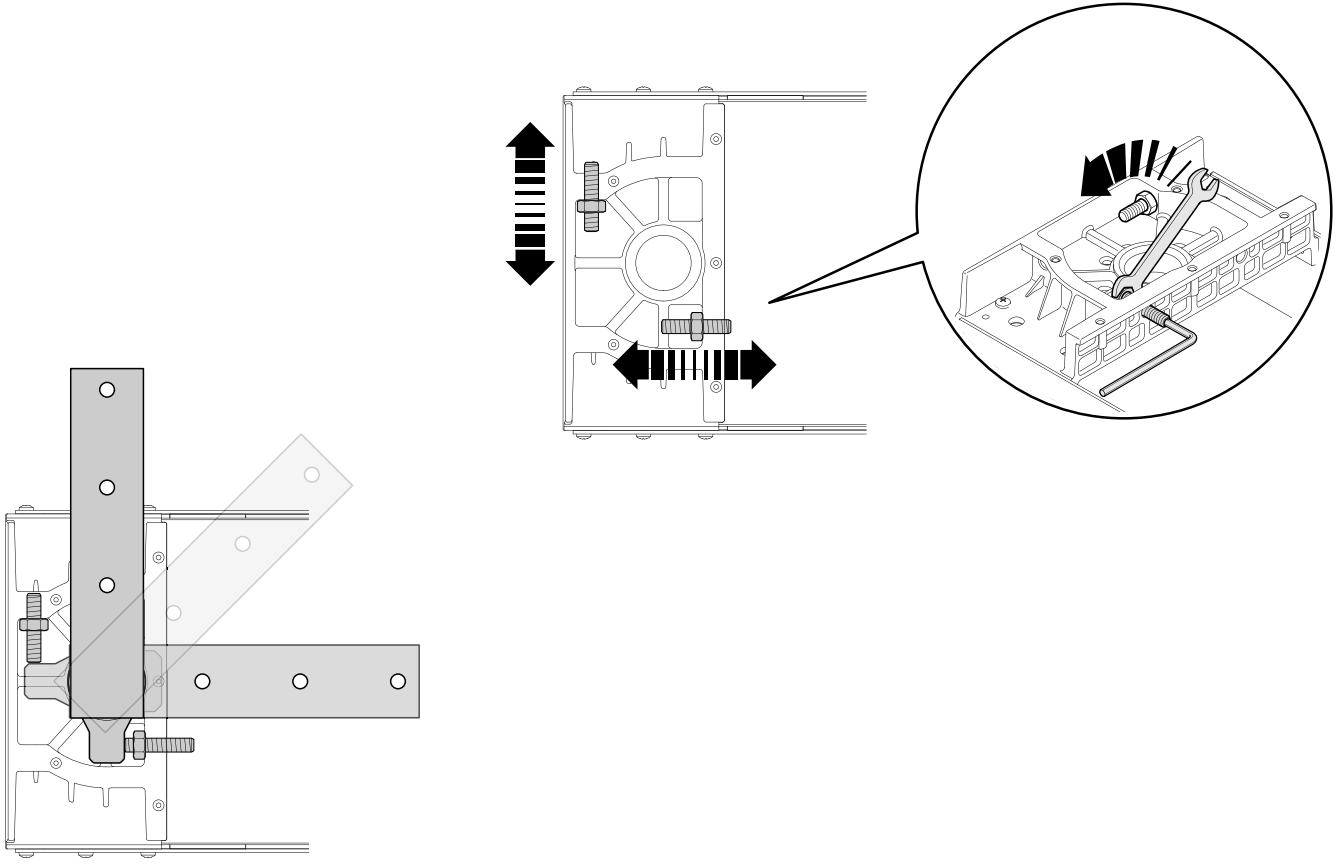
9



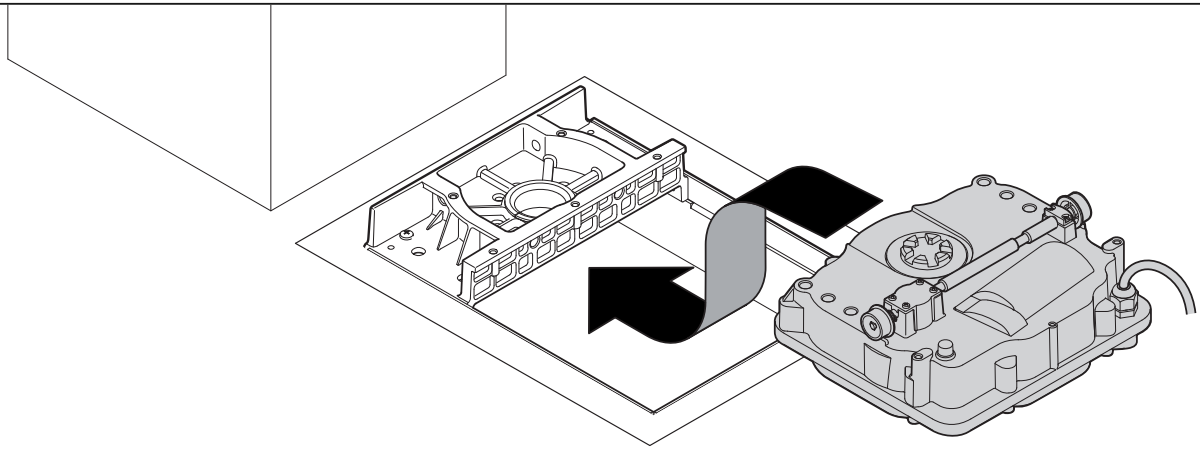
10



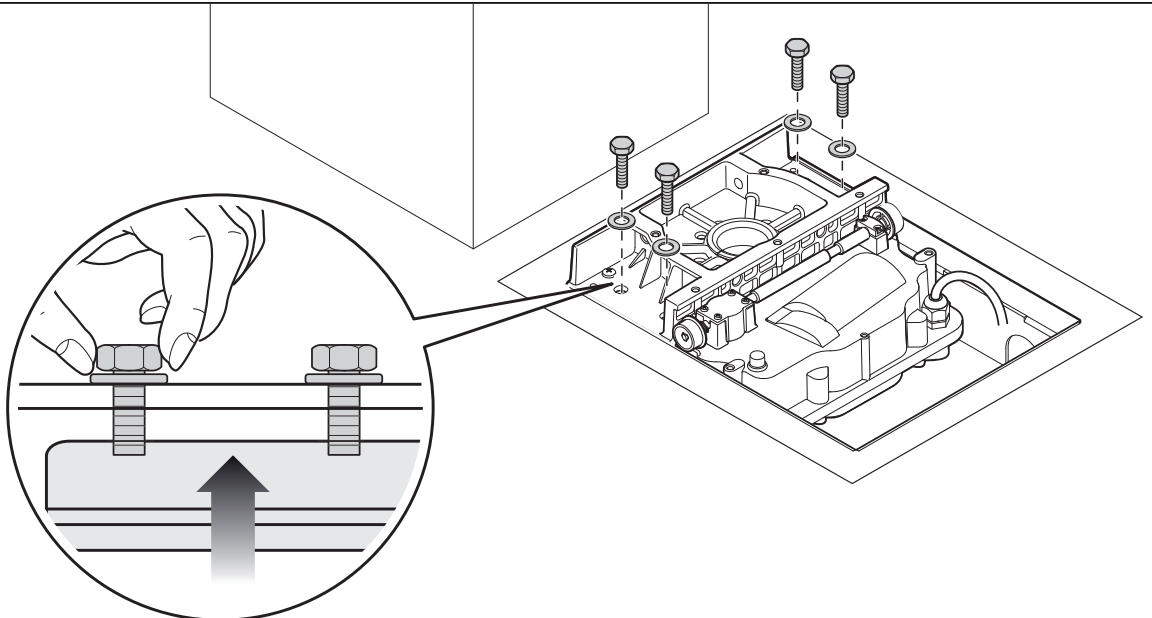
11



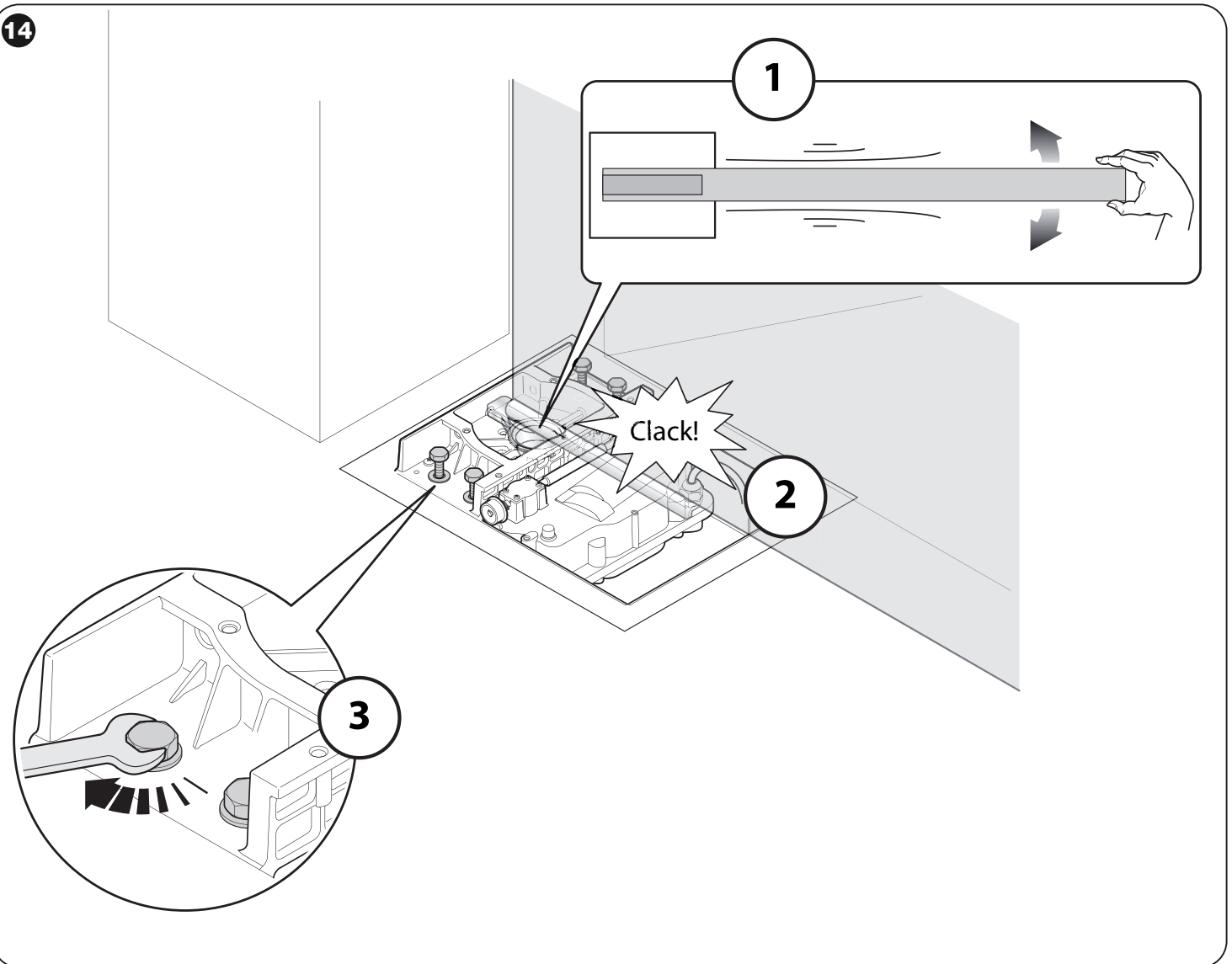
12



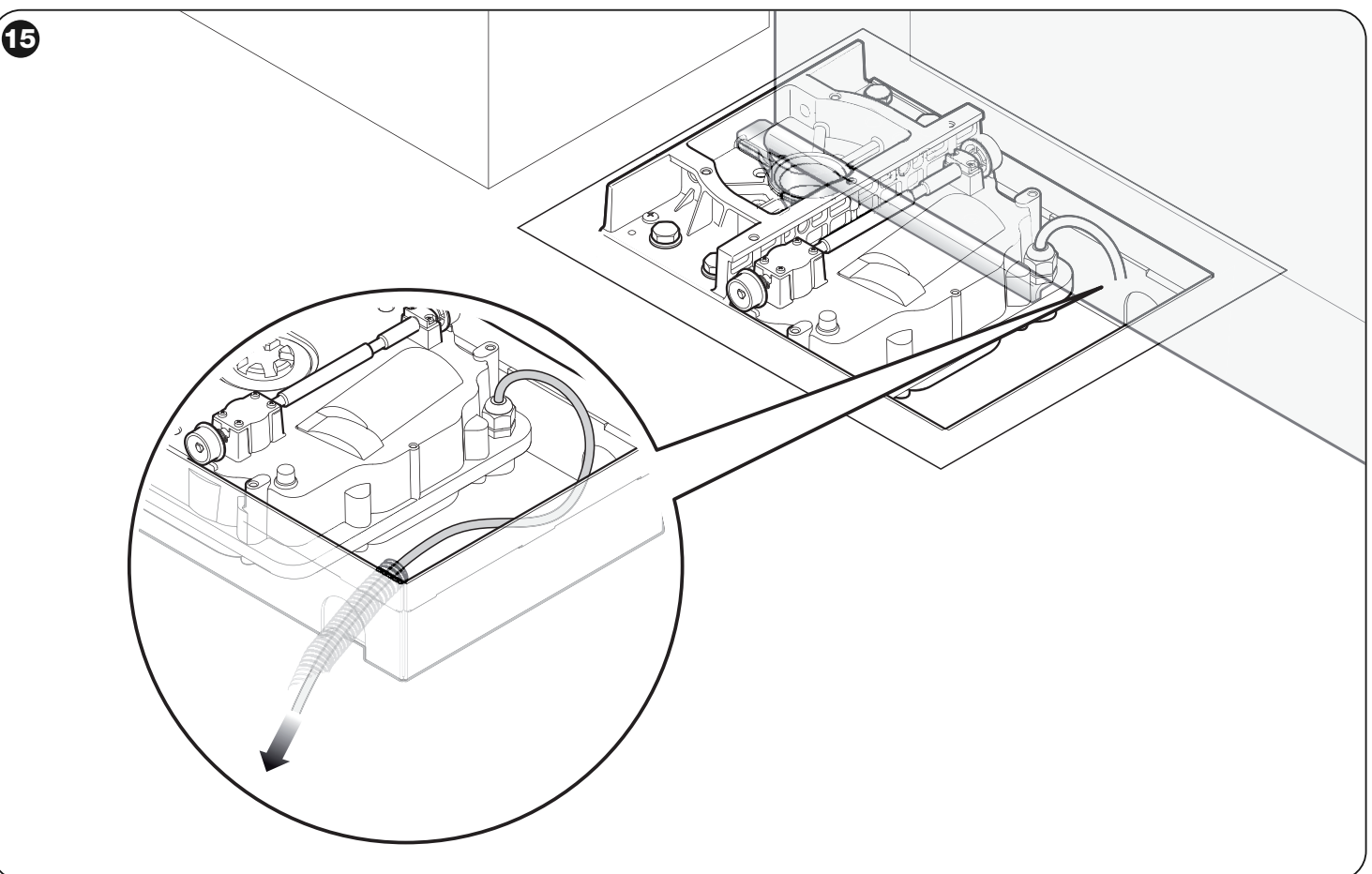
13



14

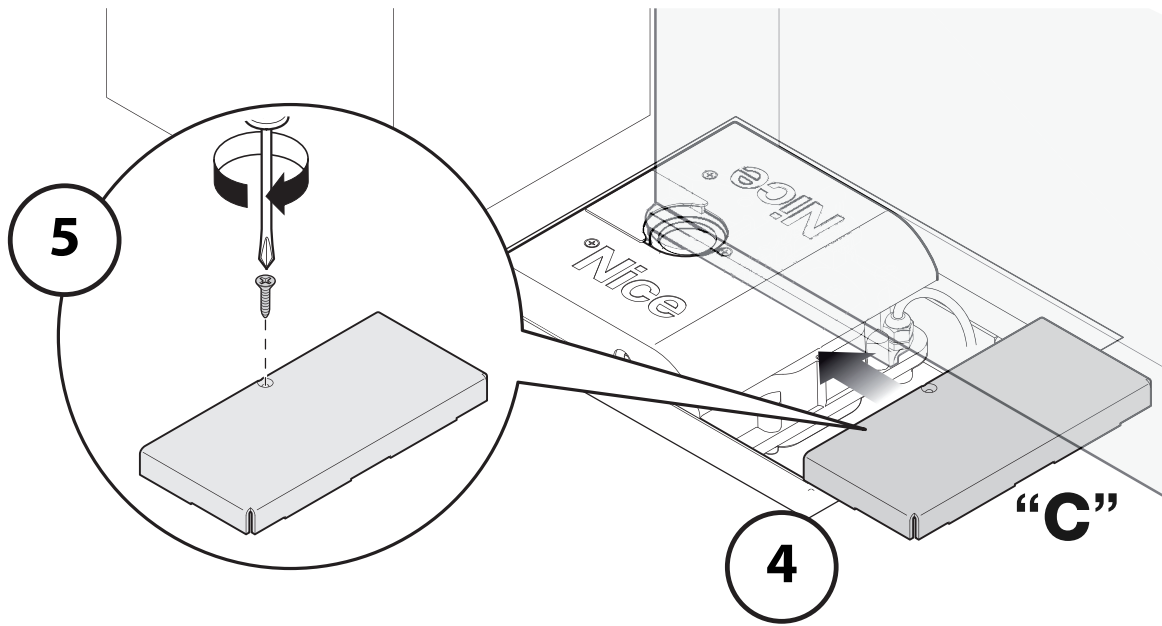
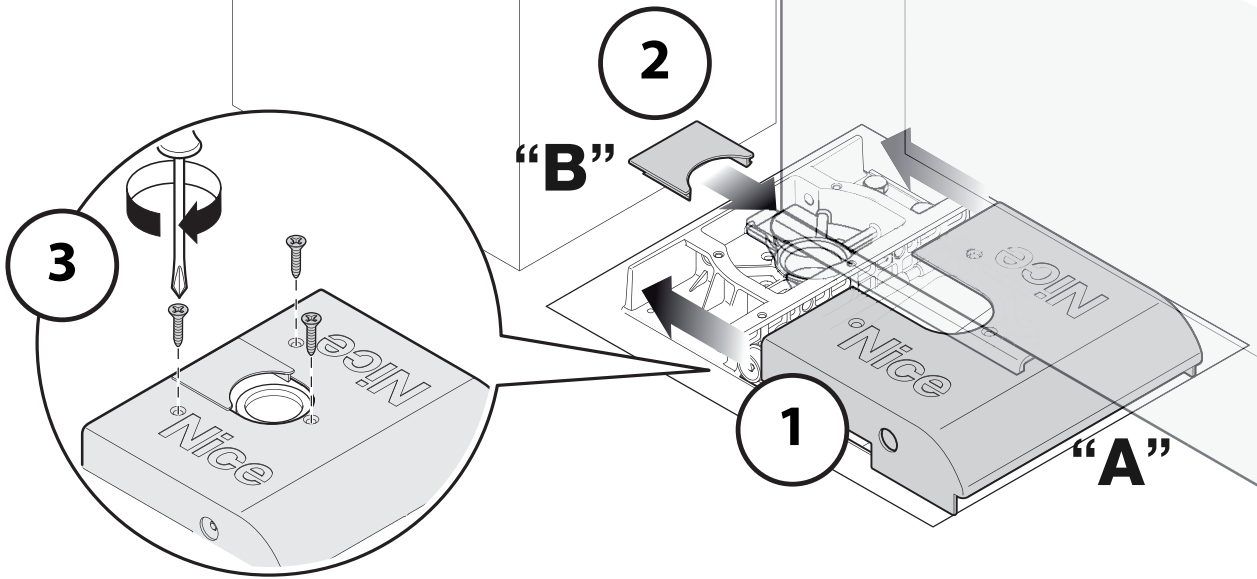


15

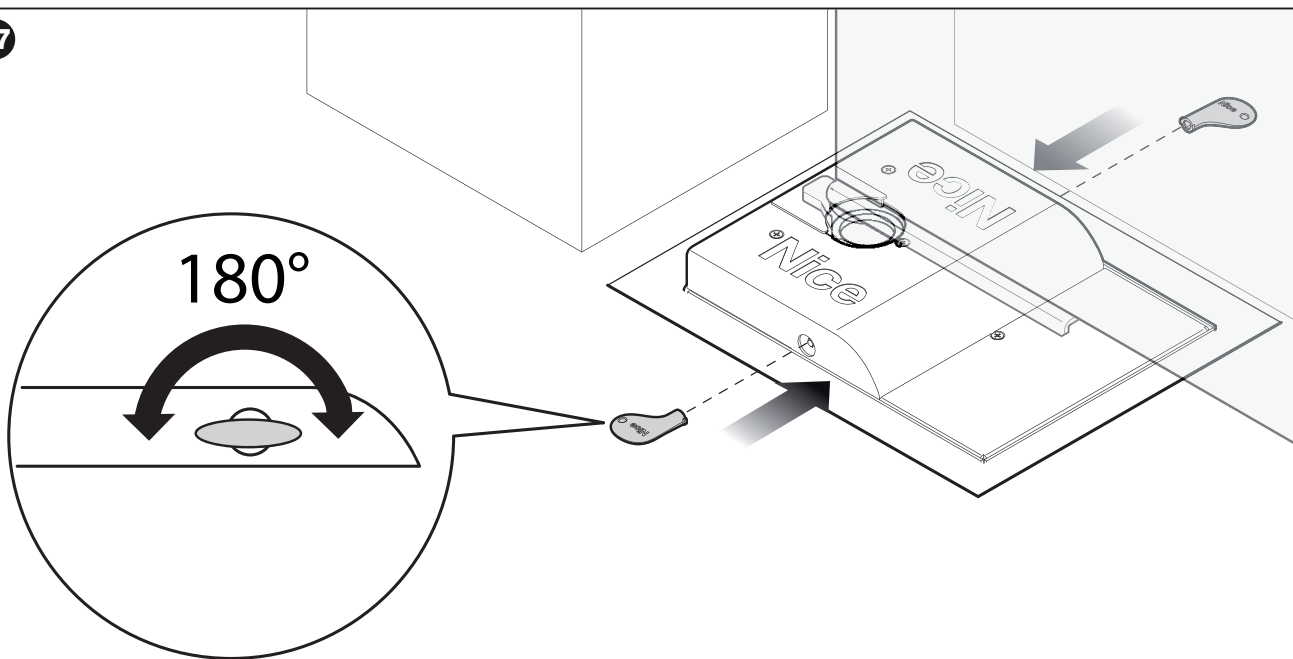




16



17





Nice

#### Headquarters

##### Nice SpA

Oderzo TV Italia  
Ph. +39.0422.85.38.38  
Fax +39.0422.85.35.85  
info@niceforyou.com

#### Nice in Italy

##### Nice Padova

Padova Italia  
Ph. +39.049.87.01.05.1  
Fax +39.049.87.07.63.8  
infopd@niceforyou.com

##### Nice Roma

Roma Italia  
Ph. +39.06.72.67.17.61  
Fax +39.06.72.67.55.20  
inforoma@niceforyou.com

#### Nice Worldwide

##### Nice France

Buchelay France  
Ph. +33.(0)1.30.33.95.95  
Fax +33.(0)1.30.33.95.96  
info@fr.niceforyou.com

##### Nice France Sud

Aubagne France  
Ph. +33.(0)4.42.62.42.52  
Fax. +33.(0)4.42.62.42.50  
infomarseille@fr.niceforyou.com

##### Nice France Rhône Alpes

Decines Charpieu France  
Ph. +33.(0)4.78.26.56.53  
Fax +33.(0)4.78.26.57.53  
info lyon@fr.niceforyou.com

##### Nice Belgium

Leuven (Heverlee) Belgium  
Ph. +32.(0)16.38.69.00  
Fax +32.(0)16.38.69.01  
info@be.niceforyou.com

##### Nice Deutschland

Gelnhausen Deutschland  
Ph. +49.(0)6051.91.520  
Fax +49.(0)6051.91.52.119  
info@de.niceforyou.com

##### Nice España Madrid

Mostoles Madrid España  
Ph. +34.(0)9.16.16.33.00  
Fax +34.(0)9.16.16.30.10  
info@es.niceforyou.com

##### Nice España Barcelona

Sant Quirze del Valles  
Barcelona España  
Ph. +34.(0)9.37.84.77.75  
Fax +34.(0)9.37.84.77.72  
info@es.niceforyou.com

##### Nice Australia

Wetherill Park Australia  
Ph. +61.(0)2.96.04.25.70  
Fax +61.(0)2.96.04.25.73  
info@au.niceforyou.com

##### Nice China

Shanghai P. R. China  
Ph. +86.21.575.701.46  
Fax +86.21.575.701.44  
info@niceforyou.com.cn

##### Nice USA

San Antonio Texas USA  
info@us.niceforyou.com

##### Nice Russia

Odintsovo Moscow Region Russia  
Ph. +7.495.739.97.02  
Fax +7.495.739.97.02  
info@ru.niceforyou.com

##### Nice South Africa

Johannesburg South Africa  
info@co.za.niceforyou.com

##### Nice Polska

Pruszków Polska  
Ph. +48.(022).759.40.00  
Fax +48.(022).759.40.22  
info@pl.niceforyou.com

##### Nice Portugal

Mem Martins Portugal  
Ph. +351.21.922.82.10  
Fax +351.21.922.82.19  
info@pt.niceforyou.com

##### Nice Romania

Cluj Napoca Romania  
Ph./Fax +40.(0)264.453.127  
info@ro.niceforyou.com

##### Nice Turkey

Kadikoy Istanbul Turkey  
Ph. +90.216.456.34.97  
Fax +90.216.455.78.29  
info@tr.niceforyou.com

##### Nice UK

Sutton in Ashfield  
United Kingdom  
Ph. +44.16.23.55.80.86  
Fax +44.16.23.55.05.49  
info@uk.niceforyou.com