

CE



sliding gates



Robus350

Instructions and warnings for the fitter

Istruzioni ed avvertenze per l'installatore

Instructions et recommandations pour l'installateur

Anweisungen und Hinweise für den Installateur

Instrucciones y advertencias para el instalador

Instrukcje i uwagi dla instalatora

Aanwijzingen en aanbevelingen voor de installateur

COMPANY
WITH QUALITY SYSTEM
CERTIFIED BY DNV
=ISO 9001/2000=



Robus350

Table of contents:	page				
1	Warnings	3	7	Additional information	12
2	Product description and applications	3	7.1	Programming keys	12
2.1	Operating limits	3	7.2	Programming	12
2.2	Typical system	4	7.2.1	Level one functions (ON-OFF functions)	12
2.3	List of cables	4	7.2.2	Level one programming (ON-OFF functions).	13
3	Installation	4	7.2.3	Level two functions (adjustable parameters)	13
3.1	Preliminary checks	5	7.2.4	Level two programming (adjustable parameters)	14
3.2	Installation of the gearmotor	5	7.2.5	Level one programming example (ON-OFF functions).	14
3.3	Installation of the Various Devices	6	7.2.6	Level two programming example (adjustable parameters)	15
3.4	Electrical connections	6	7.3	Adding or Removing Devices	15
3.5	Description of the electrical connections	7	7.3.1	BlueBUS	15
4	Final checks and start up	7	7.3.2	STOP Input	15
4.1	Choosing the direction	7	7.3.3	Photocells	16
4.2	Power Supply Connection	8	7.3.4	Recognition of other devices	16
4.3	Recognition of the devices	8	7.4	Special Functions	16
4.4	Recognizing the length of the leaf	8	7.4.1	“Always open” Function	16
4.5	Checking gate movements	8	7.4.2	“Move anyway” function	16
4.6	Preset functions	8	7.5	Connection to other devices	17
4.7	Memorization of Radio Transmitters	9	7.6	Troubleshooting	17
4.7.1	Memorization Mode I	9	7.7	Diagnostics and Signals	17
4.7.2	Memorization Mode II	9	7.7.1	Flashing light signalling	18
4.7.3	“Remote” memorization	10	7.7.2	Signals on the control unit	18
4.7.4	Deleting the Radio Transmitters	10	7.8	Accessories	19
4.7.5	Declaration of conformity of the radio receiver	10			
5	Testing and commissioning	10	8	Technical characteristics	20
5.1	Testing	11			
5.2	Commissioning	11			
6	Maintenance and Disposal	11			
6.1	Maintenance	11			
6.2	Disposal	11			
				Instructions and Warnings for users of ROBUS gearmotor	21

1) Warnings

This manual contains important information regarding safety. Before you start installing the components, it is important that you read all the information contained herein. Store this manual safely for future use.

Due to the dangers which may arise during both the installation and use of the ROBUS350, installation must be carried out in full respect of the laws, provisions and rules currently in force in order to ensure maximum safety. This chapter provides details of general warnings. Other, more specific warnings are detailed in Chapters “3.1 Preliminary Checks” and “5 Testing and Commissioning”.

⚠ according to the most recent European legislation, the production of automatic doors or gates is governed by the provisions listed in Directive 98/37/CE (Machine Directive) and, more specifically, to provisions: EN 12445, EN 12453 and EN 12635, which enable manufacturers to declare the presumed conformity of the product.

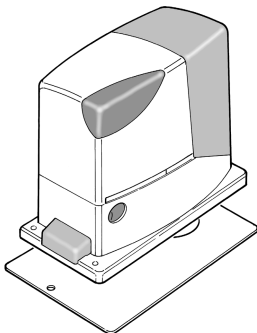
Please access “www.niceforyou.com” for further information, and guidelines for risk analysis and how to draw up the Technical Documentation.

- This manual has been especially written for use by qualified fitters. Except for the enclosed specification “Instructions and Warnings for Users of the ROBUS gearmotor” which is to be removed by the installer, none of the information provided in this manual can be considered as being of interest to end users!
- Any use or operation of ROBUS350 which is not explicitly provided for in these instructions is not permitted. Improper use may cause damage and personal injury.

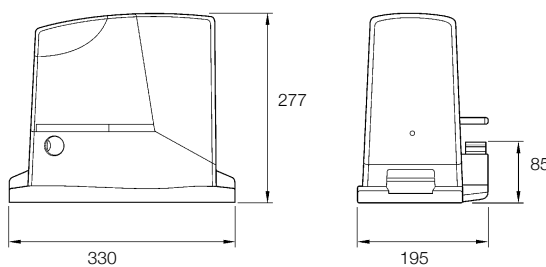
- Risk analysis must be carried out before starting installation, to include the list of essential safety requisites provided for in Enclosure I of the Machine Directive, indicating the relative solutions employed. N.B. Risk analysis is one of the documents included in the “Technical Documentation” for this automation.
- Check whether additional devices are needed to complete the automation with ROBUS350 based on the specific application requirements and dangers present. The following risks must be considered: impact, crushing, shearing, dragging, etc. as well as other general dangers.
- Do not modify any components unless such action is specified in this manual. Operations of this type are likely to lead to malfunctions. NICE disclaims any liability for damage resulting from modified products.
- During installation and use, ensure that solid objects or liquids do not penetrate inside the control unit or other open devices. If necessary, please contact the NICE customer service department; the use of ROBUS350 in these conditions can be dangerous.
- The automation system must not be used until it has been commissioned as described in chapter 5: “Testing and commissioning”.
- The packing materials of ROBUS350 must be disposed of in compliance with local regulations.
- If a fault occurs that cannot be solved using the information provided in this manual, refer to the NICE customer service department.
- In the event that any automatic switches are tripped or fuses blown, you must identify the fault and eliminate it before resetting the switches or replacing fuses.
- Disconnect all the power supply circuits before accessing the terminals inside the ROBUS350 cover. If the disconnection device is not identifiable, post the following sign on it: “WARNING: MAINTENANCE WORK IN PROGRESS”.

2) Product description and applications

ROBUS350 is an electromechanical gearmotor used to automate sliding gates for residential use. It has an electronic control unit and receiver for radio control devices. The electrical connections to external devices have been simplified through the use of “BlueBUS”, a technique by which several devices can be connected up using just 2 wires.



ROBUS350 operates with electric power. In the event of a power failure, the gearmotor can be released using a special key in order to move the gate manually. Alternatively, there is the PS124 buffer battery (optional accessory) which makes it possible to use the gate also during the event of a power failure.



2.1) Operating limits

Chapter 8 “Technical Characteristics” provides the data needed to determine whether ROBUS350 components are suitable for the intended application.

In general, ROBUS350 is suitable for the automation of gates with leaves up to 15m wide and weighing max 350kg, as shown in Tables 1 and 2.

The length of the leaf makes it possible to determine both the maximum number of cycles per hour and consecutive cycles, while the weight makes it possible to determine the reduction percentage of the cycles and the maximum speed allowed. For example, if the leaf is 5m long it will be possible to have 10 cycles/hour and 6 consecutive cycles. However, if the leaf weighs 240kg, they must be reduced to 80%, resulting in 8 cycles/hour and approximately 5 consecutive cycles, while the maximum speed allowed is V5: very fast.

The control unit has a limiting device which prevents the risk of overheating based on the load of the motor and duration of the cycles. This device triggers when the maximum limit is exceeded.

Table 1: limits in relation to the length of the leaf.

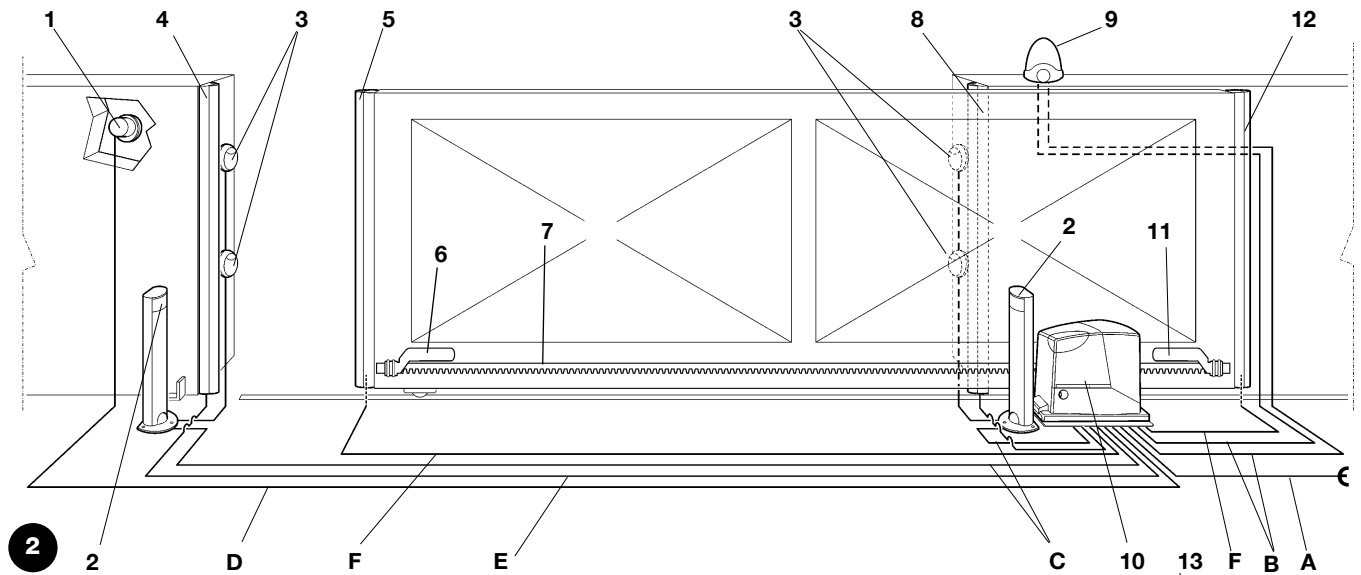
Length of leaf m	max. cycles/hour	max. no. of consecutive cycles
Max. 3	30	20
3÷5	18	12
5÷6	15	10
6÷7	12	8

Table 2: limits in relation to the weight of the leaf

Leaf weight Kg.	Percentage cycles	Maximum speed allowed
Max. 200	100%	V6 = extremely fast
200÷250	90%	V5 = very fast.
250÷300	80%	V4 = fast
300÷350	70%	V3 = medium

2.2) Typical system

Figure 2 shows a typical system for automating a sliding gate using ROBUS350.



- | | |
|--------------------------------|---|
| 1 Key-operated selector switch | 8 Secondary fixed edge (optional) |
| 2 Photocells on post | 9 flashing light with incorporated aerial |
| 3 Photocells | 10 ROBUS350 |
| 4 Main fixed edge (optional) | 11 "Closed" stop bracket |
| 5 Main movable edge | 12 Secondary movable edge (option) |
| 6 "Open" stop bracket | 13 Radio-transmitter |
| 7 Rack | |



2.3) List of cables

Figure 1 shows the cables needed for the connection of the devices in a typical installation; Table 2 shows the cable characteristics.

⚠: the cables used must be suitable for the type of installation. For example, an H03VV-F type cable is recommended for indoor applications, while an H07RN-F is suitable for outdoor applications.

Table 3: list of cables

Connection	Cable type	Maximum length allowed
A: Power line	N°1 3x1.5mm ² cable	30m (note 1)
B: Flashing light with aerial	N°1 2x0.5mm ² cable	20m
	N°1 RG58 type shielded cable	20m (recommended less than 5m)
C: Photocells	N°1 2x0.5mm ² cable	30m (note 2)
D: Key-operated selector switch	N°2 2x0.5mm ² cables (note 3)	50m
E: Fixed edges	N°1 2x0.5mm ² cable (note 4)	30m
F: Movable edges	N°1 2x0.5mm ² cable (note 4)	30m (note 5)

Note 1: power supply cables longer than 30 m may be used provided they have a larger gauge, e.g. 3x2.5mm², and a safety grounding system is provided near the automation unit.

Note 2: A 2x1mm² cable is needed if the "BLUEBUS" cable is longer than 30 m (max. 50 m).

Note 3: A single 4x0.5mm² cable can be used instead of two 2x0.5mm² cables.

Note 4: Please refer to Chapter "7.3.2 STOP Input" in situations where there is more than one edge, for information about the type of connection recommended by the manufacturers.

Note 5: special devices which enable connection even when the leaf is moving must be used to connect movable edges to sliding leaves.

3) Installation

⚠ The installation of ROBUS350 must be carried out by qualified personnel in compliance with current legislation, standards and regulations, and the directions provided in this manual.

3.1) Preliminary checks

Before proceeding with the installation of ROBUS350 you must:

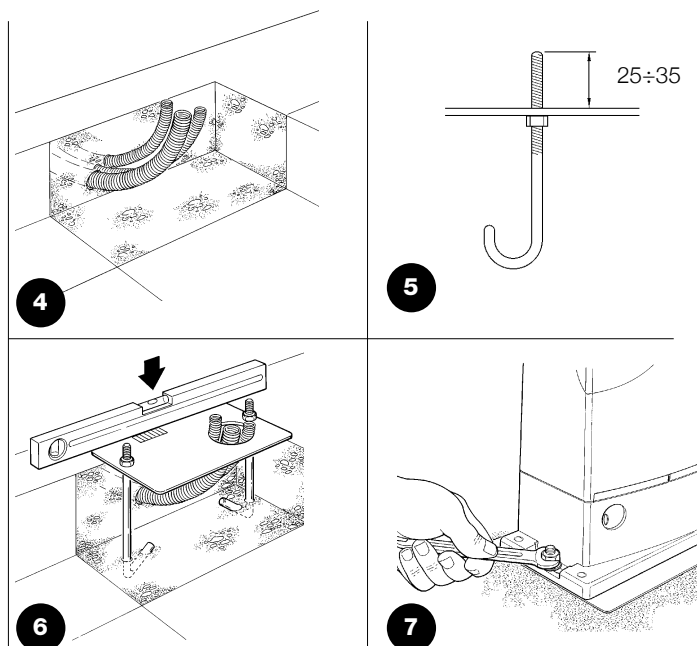
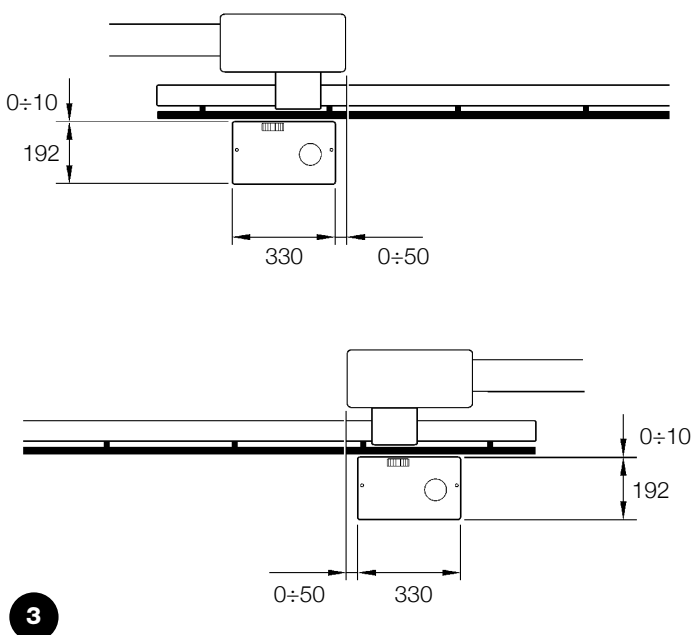
- Check that all the materials are in excellent condition, suitable for use and that they conform to the standards currently in force.
- Make sure that the structure of the gate is suitable for automation.
- Make sure that the weight and dimensions of the leaf fall within the specified operating limits provided in chapter "2.1 Operating limits".
- Check that the static friction (that is, the force required to start the movement of the leaf) is less than half the "maximum torque", and that the dynamic friction (that is, the force required to keep the leaf in movement) is less than half the "nominal torque". Compare the resulting values with those specified in Chapter "8 Technical Characteristics". The manufacturers recommend a 50% margin on the force, as unfavourable climatic conditions may cause an increase in the friction.
- Make sure that there are no points of greater friction in the opening or closing travel of the gate leaves.
- Make sure there is no danger of the gate derailing.
- Make sure that the mechanical stops are sturdy enough, and that there is no risk of deformation even when the leaf hits the mechanical stop violently.
- Make sure that the gate is well balanced. It must not move by itself when it is placed in any position.
- Make sure there is no risk of flooding in the area the gearmotor is fixed to. Mount the gearmotor raised from the ground if necessary.
- Make sure that the installation area enables the release of the gearmotor and that it is safe and easy to release it
- Make sure that the mounting positions of the various devices are protected from impacts and that the mounting surfaces are sufficiently sturdy.
- Never immerse components in water or other liquids.
- Keep ROBUS350 away from sources of heat and open flames and acid, saline or potentially explosive atmospheres. Situations such as these could damage ROBUS350 and cause either malfunctions or dangerous situations.
- If there is an access door in the leaf, or a within the range of movement of the gate, make sure that it does not obstruct normal travel. Mount a suitable interblock system if necessary.
- Only connect the control unit to a power supply line equipped with a safety grounding system.
- The power supply line must be protected by suitable magneto-thermal and differential switches.
- A disconnection device must be inserted in the power supply line from the electrical mains (the distance between the contacts must be at least 3.5mm with an overvoltage category of III) or equivalent system, for example an outlet and relative plug. If the disconnection device for the power supply is not mounted near the automation, it must have a locking system to prevent unintentional, unauthorised connection.

3.2) Installation of the gearmotor

The gearmotor must be fastened directly to an already existing mounting surface using suitable means, for example expansion screw anchors. Otherwise, in order to fasten the gearmotor the installer must:

1. Dig a foundation hole with suitable dimensions referring to Figure 3.
2. Prepare one or more conduits for the electrical cables as shown in Figure 4.
3. Assemble the two clamps on the foundation plate setting one nut underneath and one on top of the plate. The nut underneath the plate must be screwed to the end of the thread so that the threaded part protrudes above the plate by approximately 25÷35mm.

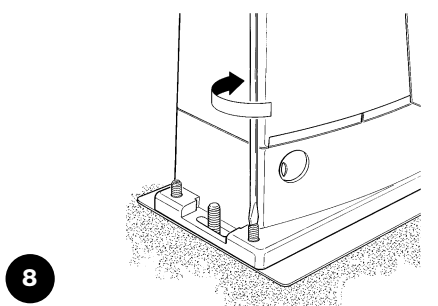
4. Pour the concrete and, before it starts to harden, set the foundation plate to the values shown in Figure 3. Check that it is parallel to the leaf and perfectly level. Wait for the concrete to harden completely.
5. Remove the 2 upper nuts of the plate and then place the gearmotor onto them. Check that it is perfectly parallel to the leaf, then screw the two nuts and washers supplied, as shown in Figure 7.



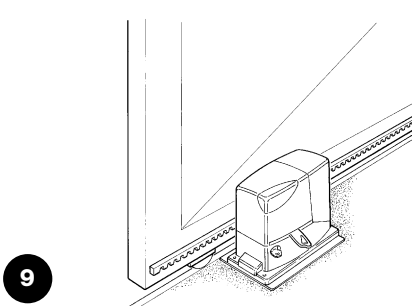
If the rack is already present, once the gearmotor has been fastened use the adjustment dowels as shown in Figure 8 to set the pinion of ROBUS350 to the right height, leaving 1÷2mm of play from the rack. Otherwise, the installer must carry out the following procedure in order to fasten the rack:

6. Release the gearmotor as shown in the “Release and manual movement” paragraph in the Chapter “Instructions and Warnings for users of the ROBUS gearmotor”

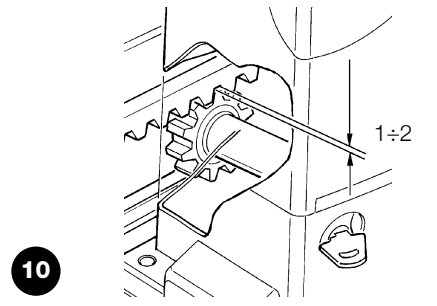
7. Open the leaf up completely and place the first piece of the rack on the pinion. Check that the beginning of the rack corresponds to the beginning of the leaf, as shown in Figure 9. Leave a 1÷2mm play between the rack and the pinion, then fasten the rack to the leaf using suitable means.



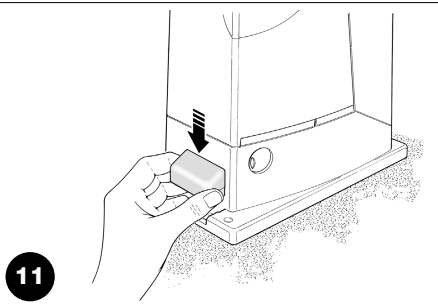
8



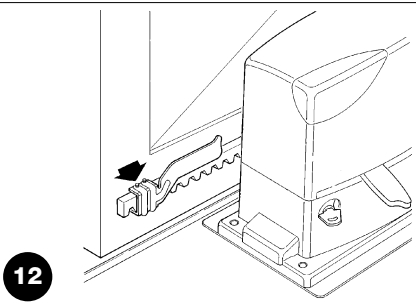
9



10



11



12

⚠ In order to prevent the weight of the leaf from affecting the gearmotor, it is important that there is a play of 1÷2mm between the rack and the pinion as shown in Figure 10.

- 8.** Slide the leaf, using the pinion as a reference point for the fastening the other elements of the rack.
- 9.** Cut away any excess of the rack.
- 10.** Open and close the gate several times and make sure that the rack is aligned with the pinion with a maximum tolerance of 5mm. Moreover, check that the play of 1÷2mm has been respected along the entire length between the pinion and the rack.

11. Thoroughly tighten the two fixing nuts of the gearmotor, making sure it is well fastened to the ground. Cover the fixing nuts with the relative caps as shown in figure 11.

12. Fix the two “Opening” and “Closing” limit switch brackets with the relative dowels to the outer sides of the rack as shown in Figure 12. Consider that the leaf will slide for about another 2÷3cm after the limit switch cuts in. The brackets should be positioned at a sufficient distance from the mechanical stops.

13. Lock the gearmotor as shown in the “Release and manual movement” paragraph in the Chapter “Instructions and Warnings for Users of the ROBUS gearmotor”

3.3) Installation of the Various Devices

If other devices are needed, install them following the directions provided in the corresponding instructions. Check this in paragraph “3.5 Description of electrical connections” and the devices which can be connected to the ROBUS350 in Figure 2.

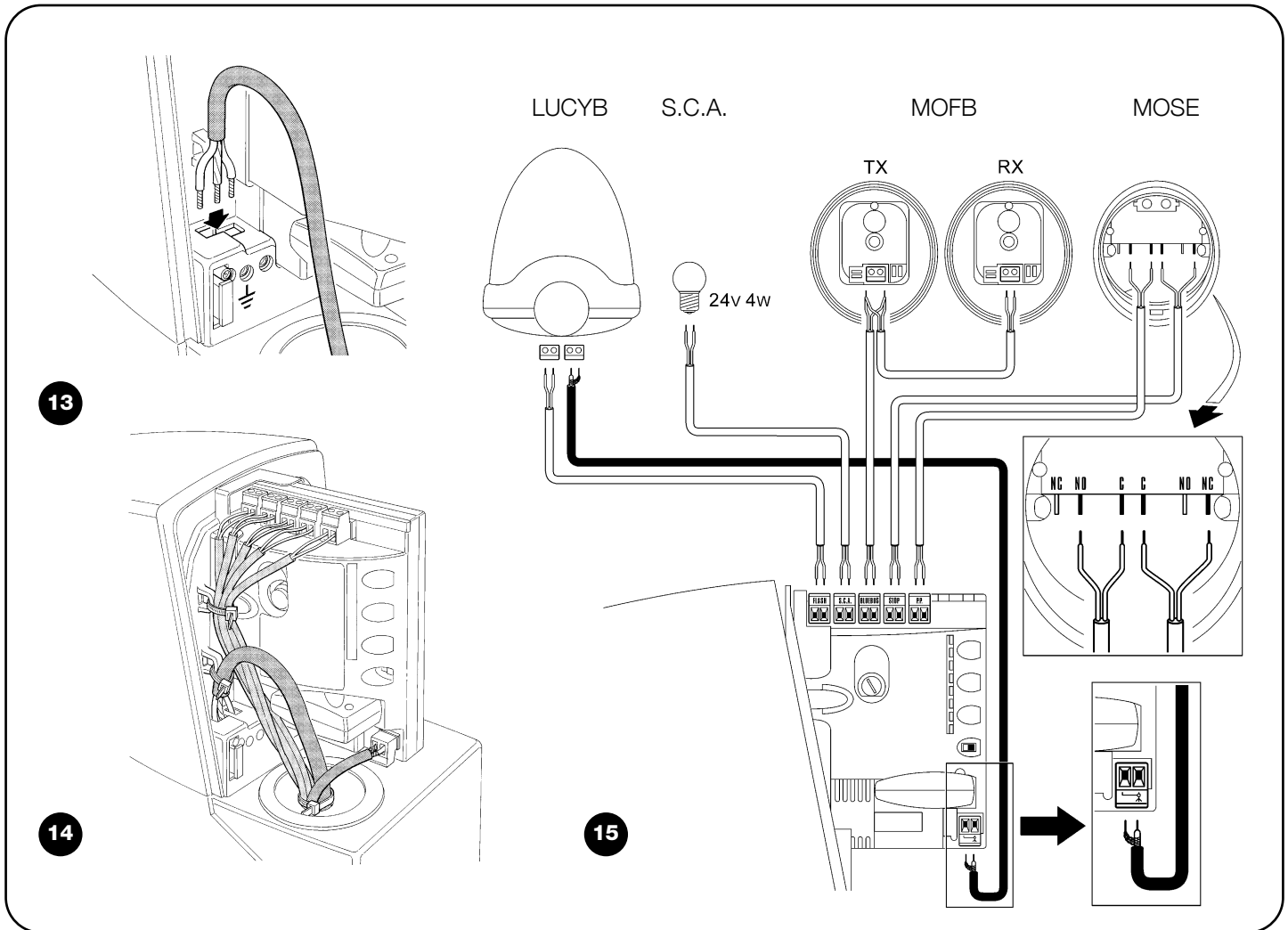
3.4) Electrical connections

⚠ only carry out electrical connections once the electricity supply to the system has been switched off. Disconnect any buffer batteries present.

- 1.** Remove the protection cover in order to access the electronic control unit of the ROBUS350. The side screw must be removed, and the cover lifted upwards.
- 2.** Remove the rubber membrane which closes the hole for passage of the cables and insert all the connection cables towards the various devices, leaving a length of 20÷30cm longer than necessary. See Table 3 for information regarding the type of cables and Figure 2 for the connections.
- 3.** Use a clamp to collect together and join the cables which enter the gearmotor. Place the clamp just underneath the hole the cables enter through. Make a hole in the rubber membrane which

is slightly smaller than the diameter of the cables which have been collected together, and insert the membrane along the cables until you reach the clamp. Then put the membrane back in the slot of the hole the cables pass through. Lay a second clamp for collecting the cables which are set just above the membrane.

- 4.** Connect the power cable to the appropriate terminal as shown in Figure 13, then block the cable at the first cable block ring using the clamp.
- 5.** Connect up the other cables according to the diagram in Figure 15. The terminals can be removed in order to make this work easier.
- 6.** Once the connections have been completed, block the cables collected in the second cable block ring using clamps. The excess of the antenna cable must be blocked to the other cables using another clamp as shown in Figure 14.



3.5) Description of the electrical connections

Here follows a brief description of the electrical connections. Please refer to the “7.3. Adding or Removing Devices” paragraph for further information.

FLASH: flashing light output “LUCYB” type or similar outputs with a single 12V lamp, max. 21W.

S.C.A.: “Open Gate Light” output. An indication lamp can be connected (24V max. 4W).

BLUEBUS: compatible devices can be connected up to this terminal. They are connected in parallel using two conductors only, through which both the electricity supply and the communication signals travel. Please refer to paragraph “7.3.1BlueBUS” for further information about BlueBUS.

STOP: input for the devices which block or eventually stop the manoeuvre in progress. Contacts like “Normally Closed”, “Normally Open” or constant resistance devices can be connected up using special procedures on the input. Please refer to Paragraph “7.3.2 STOP Input” for further information about STOP.

P.P.: input for devices which control movement. It is possible to connect “Normally Open” devices up to this input.

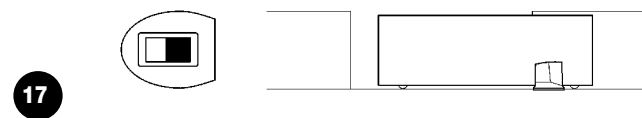
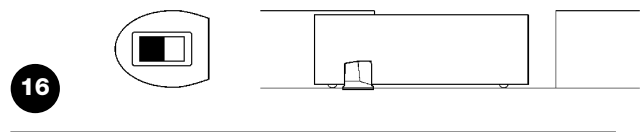
ANTENNA: connection input for the radio receiver aerial (the aerial is incorporated in LUCY B).

4) Final checks and start up

The manufacturers recommend you position the leaf at approximately half travel before starting the checking and start up phase of the automation. This will ensure the leaf is free to move both during opening and closure.

4.1) Choosing the direction

The direction of the opening manoeuvre must be chosen depending on the position of the gearmotor with respect to the leaf. If the leaf must move left for opening, the selector must be moved towards left as shown in Figure 16; alternatively, if the leaf has to move right during opening, the selector must be moved towards the right as shown in Figure 17.



4.2) Power Supply Connection

⚠ The connection of ROBUS350 to the mains must be made by qualified and experienced personnel in possession of the necessary requisites and in full respect of the laws, provisions and standards currently in force.

As soon as ROBUS350 is energized, you should check the following:

1. Make sure that the "BLUEBUS" LED flashes regularly, with about one flash per second
2. Make sure that the LED's on the photocells flash (both on TX and RX); the type of flashing is not important as it depends on other factors.
3. Make sure that the flashing light connected to the FLASH output

and the lamp LED connected to the "Open Gate Indicator" output are off.

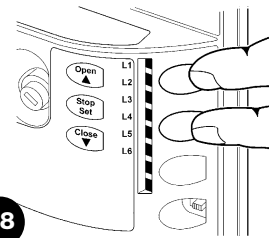
If the above conditions are not satisfied, you should immediately switch off the power supply to the control unit and check the electrical connections more carefully. Please refer to Chapter "7.6 Troubleshooting" for further information about finding and analysing failures.

4.3) Recognition of the devices

After connecting up the power supply, the control unit must be made to recognise the devices connected up to the BLUEBUS and STOP

inputs. Before this phase, LEDs L1 and L2 will flash to indicate that recognition of the devices must be carried out.

1. Press keys **[▲]** and **[Set]** and keep them pressed down
2. Release the keys then LEDs L1 and L2 start flashing rapidly (after approx. 3 sec.)
3. Wait for a few seconds for the control unit to finish recognising the devices
4. STOP LED must remain on when the recognitions stage has been completed, while LEDs L1 and L2 will switch off (LEDs L3 and L4 will eventually start flashing).



The connected devices recognition stage can be repeated at any time, even after installation, e.g. if another device is added. Please refer to

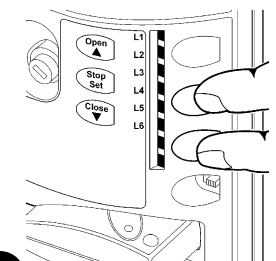
Paragraph "7.3.4 Recognition of other devices" for information about how to carry out another recognition process.

4.4) Recognizing the length of the leaf

After recognizing the devices, LEDs L3 and L4 will start flashing. This means that the control unit must be made to recognize the length of the leaf. During this stage, the length of the leaf is measured from the

closing limit switch to the opening limit switch. This measurement is required to calculate the deceleration points and the partial opening point.

1. Press keys **[▼]** and **[Set]** and keep them pressed down.
2. Release the keys when the manoeuvre starts (after approx. 3 s)
3. Check the manoeuvre in progress is an opening manoeuvre. Otherwise, press the [Stop] key and carefully check Paragraph "4.1 Choosing the Direction", then repeat the process from Point 1.
4. Wait for the control unit to open the gate until it reaches the opening limit switch. The closing manoeuvre will start immediately afterwards.
5. Wait for the control unit to close the gate.



If the above conditions are not satisfied, you should immediately switch off the power supply to the control unit and check the electrical

connections more carefully. Please refer to Paragraph "7.6 Troubleshooting" for further information.

4.5) Checking gate movements

On completion of the recognition of the length of the leaf, it is advisable to carry out a number of manoeuvres in order to check the gate travels properly.

1. Press the **[Open]** key to open the gate. Check that gate opening occurs regularly, without any variations in speed. The leaf must only slowdown and stop when it is between 70 and 50 cm from the opening mechanical stop. Then, at 2÷3cm from the mechanical opening stop the limit switch will trigger.
2. Press the **[Close]** key to close the gate. Check that the gate closes regularly without any variations in speed. The leaf must only slowdown and stop when it is between 70 and 50 cm from the closing mechanical stop. Then, at 2÷3cm from the mechanical closing stop the limit switch will trigger.

3. During the manoeuvre, check that the flashing light flashes at a speed of 0.5 seconds on and 0.5 seconds off. If present, also check the flashes of the light connected to the S.C.A. terminal: slow flashes during opening, quick flashes during closing.

4. Open and close the gate several times to make sure that there are neither points of excessive friction nor defects in the assembly or adjustments.

5. Check that the fastening of the ROBUS350 gearmotor, the rack and the limit switch brackets are solid, stable and suitably resistant, even if the gate accelerates or decelerates sharply.

4.6) Preset functions

The ROBUS350 control unit has a number of programmable functions. These functions are set to a configuration which should satisfy most automations. However, the functions can be altered at any time by

means of a special programming procedure. Please refer to paragraph "7.2 Programming" for further information about this.

4.7) Memorization of Radio Transmitters

The "SM" radio receiver connector for SMXI or SMXIS type radio receivers has been provided in order to enable the user to control ROBUS350 from a distance (see Figure 20). Each radio transmitter is recognised by the said receiver by means of a "code" which is different from that of any other transmitter. It is thus necessary to carry out the "memorisation" procedure by means of which the user prepares the receiver to recognise each single transmitter. Transmitters can be memorised in 2 modes:

Mode I: in this mode the function of the transmitter keys is fixed and each key corresponds to the command in the control unit shown in Table 4. A single stage is carried out for each transmitter, during which all the transmitter keys are memorised. It does not matter which key is pressed during this stage and only one place in the memory is used. A transmitter can normally only control a single automation in Mode I

Mode II: in this mode, each transmitter key can be associated with one of the 4 possible control unit commands shown in Table 5. Only one key is memorised for each stage, namely the one which was pressed during memorisation. One place in the memory is occupied for each key memorised.

In Mode II, different keys on the same transmitter can be used in order to give the same automation more than one command or to control more than one automation. For example, in Table 6, only automation "A" is controlled, and the T3 and T4 keys are associated with the same command. Alternatively, three automations are controlled in the example shown in Table 7, namely "A" (keys T1 and T2), "B" (key T3) and "C" (key T4).

⚠ Since the memorization procedures are timed (10s), you must read the instructions in the following paragraphs before you proceed with their execution

Table 4: Mode I memorisation

T1 key	"Step-by-step" command
T2 key	"Pedestrian gate" command
T3 key	"Open" command
T4 key	"Close" command

Note: single-channel transmitters only have a T1 key, two channel transmitters only have T1 and T2 keys.

Table 5: commands available in Mode II

N°1	"Step-by-step" command
N°2	"Pedestrian gate" command
N°3	"Open" command
N°4	"Close" command

Table 6: 1st example of memorization in Mode II

T1 key	"Open" command	Automation A
T2 key	"Close" command	Automation A
T3 key	"Pedestrian Gate" command	Automation A
T4 key	"Pedestrian Gate" command	Automation A

Table 7: 2nd example of memorization in Mode II

T1 key	"Open" command	Automation A
T2 key	"Close" command	Automation A
T3 key	"Step-by-step" command	Automation B
T4 key	"Step-by-step" command	Automation C

4.7.1) Memorization Mode I

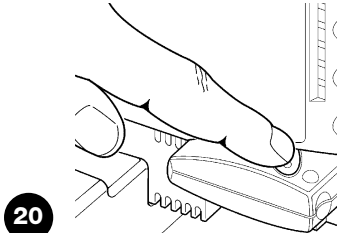


Table 8: to memorize a transmitter in mode I

	Example
1. Press the key on the receiver and hold it down (approx. 3 s)	3s
2. Release the key when the LED on the receiver lights up	3s
3. Within 10s, press any key on the radio transmitter to be memorized and hold it down for at least 2s	2s
4. If the memorization procedure is successful, the LED on the receiver will flash 3 times.	x3

If there are other transmitters to be memorized, repeat step 3 within the next 10 s, otherwise the memorization stage will terminate automatically.

4.7.2) Memorization Mode II

Table 9: to memorize the key of a transmitter in mode II

	Example
1. Press the key on the receiver as many times as the number corresponding to the desired command, according to table 5	1...4
2. Make sure that the LED on the receiver makes as many flashes as the number corresponding to the selected command	1...4
3. Within 10 s, press any key on the radio transmitter to be memorized and hold it down for at least 2 s	2s
4. The LED on the receiver will flash 3 times if the memorization procedure has been successful	x3




If there are other transmitters to be memorized for the same type of command, repeat step 3 within the next 10 s, otherwise the memorization stage will terminate automatically.

4.7.3) "Remote" memorization

A new radio transmitter can be memorized without directly operating the keys on the receiver. You need to have a pre-memorized operational radio transmitter. The "new" radio transmitter will inherit the characteristics of the old one, i.e. if the old radio transmitter was memorized in Mode 1, the new one will also be memorized in Mode 1. In this case, during the memorization stage you can press any key on the two transmitters. If, on the other hand, the old transmitter was memorized in Mode II, the new one will also be memorized in Mode II: you must press the key on the old transmitter which corresponds to the desired command, and the key on the new transmitter to which you wish to associate that command





⚠ Remote memorisation can occur in all those receivers which are within range of the capacity of the transmitter. Therefore, only the one which is actually involved in the operation must be powered.

Holding the two transmitters, position yourself within the operating range of the automation and perform the following operations:

Table 10: for the "Remote" memorization of a transmitter	Example
1. Press the key on the new radio transmitter and hold it down for at least 5 s, then release it.	
2. Press key on the previously memorized transmitter slowly 3 times.	
3. Press the key on the new radio transmitter once slowly.	

At this point the new radio transmitter will be recognized by the receiver and will assume the characteristics of the previously memorized one. If there are other transmitters to be memorized, repeat all the steps above for each new transmitter.

4.7.4) Deleting the Radio Transmitters

Table 11: to delete all the radio transmitters	Example
1. Press the key on the receiver and hold it down	
2. Wait until the LED lights up, then wait until it goes off, then wait until it has flashed 3 times	
3. Release the key precisely upon the third flash.	
4. If the procedure is successful, after a few moments the LED will flash 5 times.	

4.7.5) Declaration of conformity of the radio receiver

Declaration of conformity

N°: 151/SMXI Rev03
 Nice S.p.a., Via Pezza Alta 13, 31046 Rustignè di Oderzo (TV) Italy
 NICE S.p.a. declares that radio receiver models SMXI, SMXIS and the relative FLO2R-S and SM2 transmitters conform to the essential requirements specified in Directive R&TTE 1999/5/CE, for the use the devices have been manufactured for.
 Manufactured in Class 1, Sub-class 20.

Date 19th March 2004

Managing Director
 LAURO BUORO



5) Testing and commissioning

This is the most important stage in the automation system installation procedure in order to ensure the maximum safety levels. Testing can also be adopted as a method of periodically checking that all the various devices in the system are functioning correctly.

⚠ Testing of the entire system must be performed by qualified and experienced personnel who must establish which tests to conduct on the basis of the risks involved, and verify the compliance of the system with applicable regulations, legislation and standards, in particular with all the provisions of EN standard 12445 which establishes the test methods for automation systems for gates

5.1) Testing

Each component of the system, e.g. safety edges, photocells, emergency stop, etc. requires a specific testing phase. We therefore recommend observing the procedures shown in the relative instruction manuals. To test ROBUS350 proceed as follows:

1. Ensure that the instructions outlined in this manual and in particular in chapter 1 "WARNINGS" have been observed in full;
2. Release the gearmotor as shown in "Release and manual movement" paragraph in chapter "Instructions and Warnings for users of the ROBUS350 gearmotor"
3. Make sure you can move the door manually both during opening and closing with a force of max. 390N (40 kg approx.).
4. Lock the gearmotor.
5. Using the control or stop devices (key-operated selector switch, control buttons or radio transmitter) test the opening, closing and stopping of the gate and make sure that the leaves move in the intended direction.
6. Check the proper operation of all the safety devices, one by one (photocells, sensitive edges, emergency stop, etc.) and check that the gate performs as it should. In particular, each time a device is activated the "BlueBUS" LED on the control unit flashes 2 times quickly, confirming that the control unit recognizes the event.
7. If the dangerous situations caused by the movement of the leaf have been safeguarded by limiting the force of impact, the user must measure the impact force according to EN Standard 12445. If the adjustment of the "speed" and control of the "motor force" are used to assist the system for the reduction of the impact force, try to find the adjustment that gives the best results.

5.2) Commissioning

Commissioning can take place only after all the testing phases of the ROBUS350 and the other devices have been terminated successfully. It is not permissible to execute partial commissioning or to enable use of the system in makeshift conditions.

1. Prepare and store for at least 10 years the technical documentation for the automation, which must include at least: assembly drawing of the automation, wiring diagram, analysis of hazards and solutions adopted, manufacturer's declaration of conformity of all the devices installed (for ROBUS350 use the annexed CE declaration of conformity); copy of the instruction manual and maintenance schedule of the automation.
2. Post a label on the gate providing at least the following data: type of automation, name and address of manufacturer (person responsible for the "commissioning"), serial number, year of manufacture and "CE" marking.
3. Post a permanent label or sign near the gate detailing the operations for the release and manual manoeuvre.
4. Prepare the declaration of conformity of the automation system and deliver it to the owner.
5. Prepare the "Installation instructions and warnings" of the automation system and deliver it to the owner.
6. Prepare the maintenance schedule of the automation system and deliver it to the owner; it must provide all directions regarding the maintenance of the single automation devices.
7. Before commissioning the automation system inform the owner in writing regarding dangers and hazards that are still existing (e.g. in the "Installation instructions and warnings").

6) Maintenance and Disposal

This charter provides information about how to draw up a maintenance schedule, and the disposal of ROBUS350

6.1) Maintenance

The automation must be subjected to maintenance work on a regular basis, in order to guarantee it lasts.

⚠ The maintenance operations must be performed in strict compliance with the safety directions provided in this manual and according to the applicable legislation and standards.

If other devices are present, follow the directions provided in the corresponding maintenance schedule.

1. ROBUS350 requires scheduled maintenance work every 6 months or 10,000 manoeuvres (max.) after previous maintenance:
2. Disconnect the power supply (and buffer batteries, if featured)
3. Check for any deterioration of the components which form the automation, paying particular attention to erosion or oxidation of the structural parts. Replace any parts which are below the required standard.
4. Check the wear and tear on the moving parts: pinion, rack and the leaf components; if necessary replace them.
5. Connect the electric power sources up again, and carry out the testing and checks provided for in Paragraph "5.1 Testing".

6.2) Disposal

ROBUS is constructed of various types of materials, some of which can be recycled: steel, aluminium, plastic, electric cables; while others must be disposed of (batteries and electronic boards).

⚠ some electronic components and the batteries may contain polluting substances; do not pollute the environment. Enquire about the recycling or disposal systems available in compliance regulations locally in force.

1. Disconnect the power supply of the automation system (and the buffer battery, if featured).
2. Disassemble all the devices and accessories, following in reverse order the procedures described in chapter 3 "Installation".
3. Wherever possible, separate any parts which can or must be recycled or disposed of in different ways, e.g. metal parts must be disposed of separately from plastic ones, as must the electronic cards, batteries etc.
4. Sort the various materials and consign them to local licensed firms for recovery and disposal.

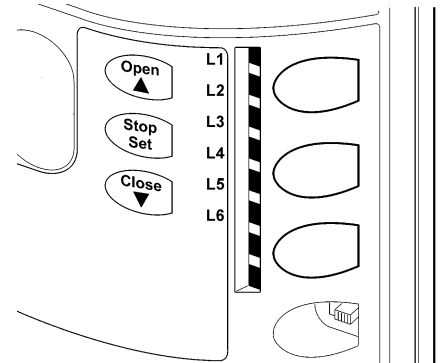
7) Additional information

Programming, personalisation and how to look for and deal with faults on the ROBUS350 will be dealt with in this chapter.

7.1) Programming keys

The ROBUS350 control unit feature three keys that can be used to command the control unit both during tests and programming.

Open ▲	The "OPEN" key enables the user to control the opening of the gate or move the programming point upwards.
Stop Set	The "STOP" key enables the user to stop the manoeuvre. If pressed down for more than 5 seconds it enables the user to enter programming.
Close ▼	The "CLOSE" key enables the user to control the closing of the gate or move the programming point downwards.



21

7.2) Programming

A number of programmable functions are available on the ROBUS350 control unit. The functions are adjusted using 3 keys set on the control unit: [▲] [Set] [▼] and are used by means of 6 LEDs: **L1...L6**

The programmable functions available on ROBUS350 are set out on 2 levels:

Level one: the functions can be adjusted in modes ON-OFF (active or inactive). In this case, each of the LEDs **L1...L6** indicates a function. If the LED is on, the function is active, if off the function is inactive. See Table 12

Level two: the parameters can be adjusted on a scale of values (from 1 to 6). In this case, each of the LEDs **L1...L6** indicates the value set (there are 6 possible settings). Please refer to Table 14.

7.2.1) Level one functions (ON-OFF functions).




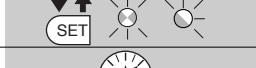

Table 12: list of programmable functions: Level one

Led	Function	Description
L1	Automatic Closing	This function causes the gate to close automatically after the programmed time has lapsed. The factory set Pause Time is 30 seconds, but can be changed to 5, 15, 30, 45, 60 or 80 seconds. If the function is inactive, functioning will be "semi-automatic".
L2	Close After Photo	This function enables the gate to be kept open for the necessary transit time only. In fact the "Photo" always causes an automatic closure with a pause time of 5s (regardless of the programmed value). The action changes depending on whether the "Automatic closing" function is active or not. When "Automatic Closing" is inactive: The gate always arrives to the totally open position (even if the Photo disengages first). Automatic closing with a pause of 5s occurs when the Photo is disengaged. When "Automatic Closing" is active: The opening manoeuvre stops immediately after the photocells have disengaged. After 5 seconds, the gate will begin to close automatically. The "Close after photo" function is always disabled in manoeuvres interrupted by a Stop command. If the "Close after photo" function is inactive the pause time is that which has been programmed or there is no automatic closing if the function is inactive. .
L3	Always Close	The "Always Close" function will trigger, and the gate will close if an open gate is detected when the power supply returns. A light will flash for 5 seconds before the manoeuvre starts for reasons of safety. If the function is inactive when the power supply returns, the gate will remain still.
L4	Stand-By	This function enables the user to lower consumption to a very minimum. It is particularly useful in cases when the buffer battery is being used. If this function is active, the control unit will switch the BLUEBUS output (and consequently the devices) and all the LEDs off one minute after the end of the manoeuvre. The only LED which will remain on is the BLUEBUS LED which will simply flash more slowly. When a command arrives, the control unit will reset to complete functioning. If this function is inactive, there will be no reduction in the consumption.
L5	Peak	If this function is activated, the gradual acceleration at the beginning of each manoeuvre will be disconnected. It enables the peak thrust and is useful whenever static friction is high, e.g. if snow or ice are blocking the leaf. If the thrust is inactive, the manoeuvre will start with a gradual acceleration.
L6	Pre-flashing	With the pre-flashing function, a 3 second pause is added between the flashing light switching on and the beginning of the manoeuvre in order to warn the user, in advance, of a potentially dangerous situation. If pre-flashing is inactive, the flashing light will switch on when the manoeuvre starts.

During the normal functioning of the ROBUS350, LEDs **L1...L6** will either be on or off depending on the state of the function they represent. For example, **L1** will be on if the "Automatic Closing" function is active.

7.2.2 Level one programming (ON-OFF functions).

Level 1 functions are all factory set to "OFF". However, they can be changed at any time as shown in Table 13. Follow the procedure carefully, as there is a maximum time of 10 seconds between pressing one key and another. If a longer period of time lapses, the procedure will finish automatically and memorize the modifications made up to that stage.

Table 13: changing ON-OFF functions		Example
1.	Press the key [Set] and hold it down (approx. 3 s)	
2.	Release the [Set] key when L1 LED starts flashing	
3.	Press keys [▲] or [▼] to move the flashing LED onto the LED representing the function which is to be changed.	
4.	Press the [Set] key to change the state of the function (short flashing = OFF; long flashing = ON)	
5.	Wait 10 seconds before leaving the programme to allow the maximum time to lapse.	

Note: Points 3 and 4 can be repeated during the same programming phases in order to set other functions to ON or OFF.

7.2.3 Level two functions (adjustable parameters)

Table 14: programmable function list: level two				
Input LED	Parameter	LED (level)	value	Description
L1	Pause Time	L1	5 seconds	Adjusts the pause time, namely the time which lapses before automatic closure. This will only have an effect if automatic closing is active.
		L2	15 seconds	
		L3	30 seconds	
		L4	45 seconds	
		L5	60 seconds	
		L6	80 seconds	
L2	Step-by-step Function	L1	Open – stop – close - stop	Manages the sequence of controls associated to the Step-by-Step input or to the 1st radio command (see tables 4 and 5).
		L2	Open – stop – close - close	
		L3	Open – close – open - close	
		L4	Condominium operation	
		L5	Close	
		L6	Man present	
L3	Motor speed	L1	Very slow	Adjusts the speed of the motor during normal travel.
		L2	Slow	
		L3	Medium	
		L4	Fast	
		L5	Very fast	
		L6	Extremely Fast	
L4	Open Gate Indicator Output	L1	Open Gate Indicator Function	Adjusts the function associated with the S.C.A. output.
		L2	On if the leaf is close	
		L3	On if the leaf is open	
		L4	Active with 2nd radio command	
		L5	Active with 3rd radio command	
		L6	Active with 4th radio command	
L5	Motor force	L1	"Very light" gate	Adjusts the system which controls the motor force in order to adapt it to the weight of the gate.
		L2	"Light" gate	
		L3	"Average" gate	
		L4	"Average-heavy" gate	
		L5	"Heavy" gate	
		L6	"Very heavy" gate	
L6	Open Partially	L1	0,5 m	Adjusts the measurement of the partial opening. Partial opening can only be controlled using the 2nd radio control (see Tables 4 and 5)
		L2	1 m	
		L3	1,5 m	
		L4	2 m	
		L5	2,5 m	
		L6	3 m	

Note: "■" represents the factory setting.

All the parameters can be adjusted as required without any contraindication; only the adjustment of the “motor force” could require special care:

- Do not use high force values to compensate for points of abnormal friction on the leaf. Excessive force can compromise the operation of the safety system or damage the leaf.
- If the “motor force” control is used to assist the impact force reduction system, measure the force again after each adjustment in compliance with EN standard 12445.

- Wear and weather conditions may affect the movement of the gate, therefore periodic re-adjustments may be necessary.

7.2.4) Level two programming (adjustable parameters)

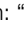





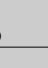




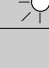









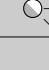


The adjustable parameters are factory set as shown in the table, with: “”. However, they can be changed at any time, as shown in Table 15. Follow the procedure carefully as there is a maximum time of 10 seconds between pressing one key and another. If more time lapses, the procedure will finish automatically and memorize the modifications made up to that stage.

Table 15: changing the adjustable parameters	Example
1. Press the key [Set] and hold it down (approx. 3 s)	 3s
2. Release the [Set] key when L1 LED starts flashing	 L1 
3. Press keys [▲] or [▼] to move the flashing LED to the “input LED” which represents the parameter which is to be modified.	  
4. Press the key [Set] and hold it down during step 5 and 6	
5. Wait approx. 3 seconds, after which the LED representing the current level of the parameter which is to be modified will light up.	
6. Press keys [▲] or [▼] to move the LED which represents the parameter value.	  
7. Release the key [Set]	
8. Wait 10 seconds before leaving the programme to allow the maximum time to lapse.	 10s

Note: Points 3 to 7 can be repeated during the same programming phases in order to set other functions to ON or OFF.

7.2.5) Level one programming example (ON-OFF functions).




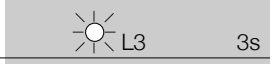








The sequence to follow in order to change the factory settings of the functions for activating “Automatic Closing” (L1) and “Always Close” (L3) have been included as examples.

Table 16: Level one programming example	Example
1. Press the key [Set] and hold it down (approx. 3 s)	 3s
2. Release the [Set] key when L1 LED starts flashing	 L1 
3. Press the [Set] key once to change the state of the function associated with L1 (Automatic Closing). LED L1 will now flash with long flashes.	  L1
4. Press the [▼] key twice to move the flashing LED to LED L3.	   L3
5. Press the [Set] key once to change the state of the function associated with L3 (Always Close). LED L3 will now flash with long flashes.	
6. Wait 10 seconds before leaving the programme to allow the maximum time to lapse.	 10s

Once these operations have been completed, LEDs L1 and L3 must remain on to indicate that the “Automatic Closing” and “Always Close” functions are active.

7.2.6) Level two programming example (adjustable parameters)

The sequence to follow in order to change the factory settings of the parameters increasing the “Pause Time” to 60 seconds (input on L1 and level on L5), and lowering the “Motor Force” for light gates (input on L5 and level on L2) have been included as examples.

Table 17: Level two programming example	Example
1. Press the key [Set] and hold it down (approx. 3 s)	
2. Release the [Set] key when L1 LED starts flashing	
3. Press the key [Set] and hold it down during step 4 and 5	
4. Wait approx. 3 seconds until LED L3, which represents the current level of the “Pause time”, switches on.	
5. Press the [▼] key twice to move the LED which is lit on to L5, which represents the new “Pause Time” value.	
6. Release the key [Set]	
7. Press the [▼] key 4 times to move the flashing LED to LED L5.	
8. Press the key [Set] and hold it down during step 9 and 10	
9. Wait approx. 3 seconds until LED L5, which represents the current level of the “Motor Force”, switches on.	
10. Press the [▲] key 3 times to move the LED which is on to L2, which represents the new “Motor Force” value.	
11. Release the key [Set]	
12. Wait 10 seconds before leaving the programme to allow the maximum time to lapse.	

7.3) Adding or Removing Devices

Devices can be added to or removed from the ROBUS350 automation system at any time. In particular, various devices types can be

connected to “BLUEBUS” and “STOP” input as explained in paragraphs “7.3.1 BlueBUS” and “7.3.2 STOP Input”.

7.3.1) BlueBUS

BlueBUS technology allows you to connect compatible devices using only two wires which carry both the power supply and the communication signals. All the devices are connected in parallel on the 2 wires of the BlueBUS itself. It is not necessary to observe any polarity; each device is individually recognized because a univocal address is assigned to it during the installation. Photocells, safety devices, control keys, signalling lights etc. can be connected to BlueBUS The ROBUS350 control unit recognizes all the connected devices individually through a suitable recognition process,

and can detect all the possible abnormalities with absolute precision For this reason, each time a device connected to BlueBUS is added or removed the control unit must go through the recognition process; see paragraph 7.2.4 “Recognition of Other Devices”.

7.3.2) STOP Input

STOP is the input that causes the immediate interruption of the manoeuvre (with a short reverse run). Devices with output featuring normally open “NO” contacts and devices with normally closed “NC” contacts, as well as devices with 8.2KΩ constant resistance output, like sensitive edges, can be connected to this input.

During the recognition stage the control unit, like BlueBUS, recognizes the type of device connected to the STOP input (see paragraph 7.2.4 “Recognition of Other Devices”); subsequently it commands a STOP whenever a change occurs in the recognized status. Multiple devices, even of different type, can be connected to the STOP input if suitable arrangements are made.

- Any number of NO devices can be connected to each other in parallel.
- Any number of NC devices can be connected to each other in series.
- Two devices with 8.2kΩ constant resistance output can be connected in parallel; if needed, multiple devices must be connected “in cascade” with a single 8.2kΩ termination resistance.

- It is possible to combine Normally Open and Normally Closed by making 2 contacts in parallel with the warning to place an 8.2kΩ resistance in series with the Normally Closed contact (this also makes it possible to combine 3 devices: Normally Open, Normally Closed and 8.2kΩ).

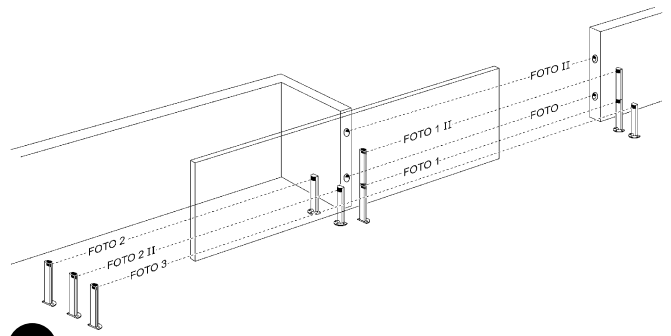
⚠ if the STOP input is used to connect devices with safety functions, only the devices with 8.2kΩ constant resistance output guarantee the fail-safe category 3 according to EN standard 954-1.

7.3.3) Photocells

By means of addressing using special jumpers, the “BlueBUS” system enables the user to make the control unit recognise the photocells and assign them with a correct detection function.

The addressing operation must be done both on TX and RX (setting the jumpers in the same way) making sure there are no other couples of photocells with the same address. In an automation for sliding gates, with ROBUS350 it is possible to install the photocells as shown in Figure 22.

After the installation or removal of photocells, the recognition phase in the control unit as described in Paragraph “7.3.4 Recognition of other devices” must be carried out.



22

Table 18: Photocell addressing

Photocell	Jumpers	Photocell	Jumpers
FOTO External photocell h=50cm; activated when gate closes		FOTO 2 External photocell activated when gate opens	
FOTO II External photocell h=100cm; activated when gate closes		FOTO 2 II Internal photocell activated when gate opens	
FOTO 1 Internal photocell h=50; activated when gate closes		FOTO 3 Single photocell for the entire automation system	
FOTO 1 II Internal photocell h=100; activated when gate closes		<p>⚠ In the case of the installation of FOTO 3 and FOTO II together the position of the photocell elements (TX-RX) must comply with the provisions contained in the photocell instruction manual</p>	

7.3.4) Recognition of other devices

Normally the recognition of the devices connected to the BlueBUS and the STOP input takes place during the installation stage. However, if new devices are added or old ones removed, the recognition process can be gone through again by proceeding as follows:

Table 19: Recognition of Other Devices

1. Press keys [▲] and [Set] and hold them down	Example
2. Release the keys when L1 and L2 LED's start flashing very quickly (after approx. 3 s)	
3. Wait a few seconds for the control unit to finish recognizing the devices	
4. When the recognition stage is completed L1 and L2 LED's will go off, the STOP LED must remain on, while L2...L6 LED's will light up according to the status of the relative ON-OFF functions	

⚠ After you have added or removed any devices, the automation system must be tested again according to the directions contained in paragraph 5.1 “Testing”.

7.4) Special Functions

7.4.1) “Always open” Function

The “Always open” function is a control unit feature which enables the user to control an opening manoeuvre when the “Step-by-Step” command lasts longer than 2 seconds. This is useful for connecting a timer contact to the “Step-by-Step” terminal in order to keep the gate open for a certain length of time, for example.

This feature is valid with any kind of “Step-by-Step” input programming, except for “Close”. Please refer to the “Step-by-Step Function” parameter in Table 14.

7.4.2) “Move anyway” function

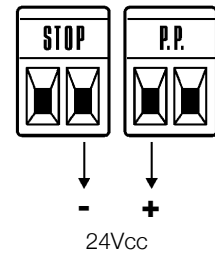
In the event that one of the safety devices is not functioning properly or is out of use, it is still possible to command and move the gate in “Man present” mode. Please refer to the Paragraph “Control with

safety devices out of order” in the enclosure “Instructions and Warnings for users of the ROBUS gearmotor” for further information.

7.5) Connection to other devices

If the user needs to feed external devices such as a proximity reader for transponder cards or the illumination light of the key-operated selector switch, it is possible to tap power as shown in Figure 23.

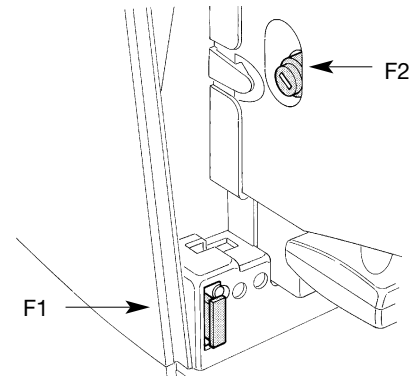
The power supply voltage is 24Vdc -30% - +50% with a maximum available current of 100mA.



23

7.6) Troubleshooting

The table 20 contains instructions to help you solve malfunctions or errors that may occur during the installation stage or in case of failure.



24

Table 20: Troubleshooting

Symptoms	Recommended checks
The radio transmitter does not control the gate and the LED on the transmitter does not light up	Check to see if the transmitter batteries are exhausted, if necessary replace them.
The radio transmitter does not control the gate but the LED on the transmitter lights up	Check the transmitter has been memorised correctly in the radio receiver.
The user is unable to command manoeuvres and the "BLUEBUS" LED fails to flash.	Check that ROBUS350 is being fed 230V voltage from the power supply. Check to see if any fuses have blown. If necessary, identify the reason for the failure and then replace the fuses with others having the same current rating and characteristics.
No manoeuvre starts and the flashing light is off	Make sure that the command is actually received. If the command reaches the STEP-BY-STEP input, the corresponding "STEP-BY-STEP" LED must light up; if you are using the radio transmitter, the "BlueBus" LED must make two quick flashes.
No manoeuvre starts and the flashing light flashes a few times	Count the flashes and check the corresponding value in table 21
The manoeuvre starts but it is immediately followed by a reverse run	The selected force could be too low for this type of gate. Check to see whether there are any obstacles; if necessary increase the force
The manoeuvre is carried out but the flashing light does not work	Make sure that there is voltage on the flashing light's FLASH terminal during the manoeuvre (being intermittent, the voltage value is not important: approximately 10-30Vac); if there is voltage, the problem is due to the lamp; in this case replace the lamp with one having the same characteristics; if there is no voltage, there may have been an overload on the FLASH output. Check that the cable has not short-circuited.
The manoeuvre is carried out but the Open Gate Indicator does not work	Check the type of function programmed for the S.C.A. output (Table 14). When the light should be on, check there is voltage on the S.C.A. terminal (approximately 24Vdc). If there is voltage, then the problem will have been caused by the light, which will have to be replaced with one with the same characteristics. If there is no voltage, there may have been an overload on the S.C.A. output. Check that the cable has not short-circuited.

7.7) Diagnostics and Signals

A few devices issue special signals that allow you to recognize the operating status or possible malfunctions.

7.7.1) Flashing light signalling

During the manoeuvre the flashing light FLASH flashes once every second. When something is wrong the flashes are more frequent; the light flashes twice with a second's pause between flashes.

Table 21: FLASH flashing light signalling		
Quick flashes	Cause	ACTION
1 flash 1 second's pause 1 flash	BlueBUS error	At the starting of the manoeuvre, the devices connected to BLUEBUS do not correspond to those recognized during the recognition phase. One or more devices may be faulty; check and, if necessary, replace them; in case of modifications repeat the recognition process (7.3.4 Recognition of Other Devices).
2 flashes 1 second's pause 2 flashes	Triggering of a photocell	At the starting of the manoeuvre, one or more photocells do not enable it; check to see if there are any obstacles. This is normal when there is an obstacle impeding the movement.
3 flashes 1 second's pause 3 flashes	Activation of the "motor force" limiting device	During the movement, the gate experienced excessive friction; identify the cause
4 flashes 1 second's pause 4 flashes	Activation of the STOP input	During the movement the STOP input was activated; identify the cause
5 flashes 1 second's pause 5 flashes	Error in the internal parameters of the electronic control unit.	Wait at least 30 seconds, then try giving a command. If nothing happens there may be a serious fault and the electronic card will have to be replaced.
6 flashes 1 second's pause 6 flashes	The maximum manoeuvre limit/hour has been exceeded.	Wait for a few minutes until the manoeuvre limiting device drops to under the maximum limit.
7 flashes 1 second's pause 7 flashes	There is an error in the internal electric circuits.	Disconnect all the power circuits for a few seconds and then try to give the command again. If nothing happens there may be a serious fault and the electronic card will have to be replaced.

7.7.2) Signals on the control unit

On the ROBUS350 control unit there is a set of LED's each of which can give special indications both during normal operation and in case of malfunctions.

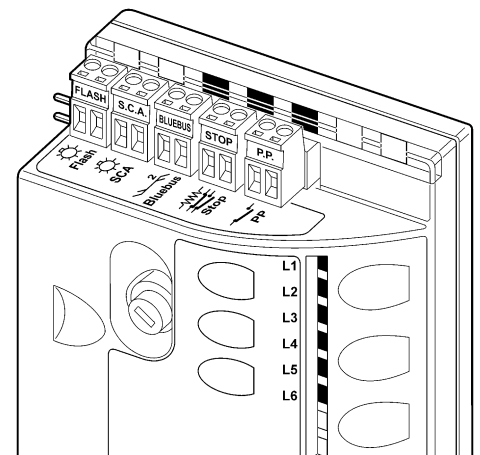


Table 22: LED's on the control unit's terminals		
BLUEBUS LED	Cause	ACTION
Off	Malfunction	Make sure there is power supply; check to see if the fuses are blown; if necessary, identify the reason for the failure and then replace the fuses with others having the same characteristics.
On	Serious malfunction	There is a serious malfunction; try switching off the control unit for a few seconds; if the condition persists it means there is a malfunction and the electronic board has to be replaced
One flash every second	Everything OK	Normal operation of control unit
2 Quick flashes	The status of the inputs has changed	This is normal when there is a change in one of the inputs: P.P., STOP, triggering of photocells or the radio transmitter is used
Series of flashes separated by a second's pause	Miscellaneous	It corresponds to the flashing light's signal. See Table 21
STOP LED	Cause	ACTION
Off	Activation of the STOP input	Check the devices connected to the STOP input
On	Everything OK	STOP Input active
STEP-BY-STEP LED	Cause	ACTION
Off	Everything OK	STEP-BY-STEP input not active
On	Activation of the STEP-BY-STEP input	This is normal if the device connected to the STEP-BY-STEP input is actually active

Table 23: LED's on the control unit's keys

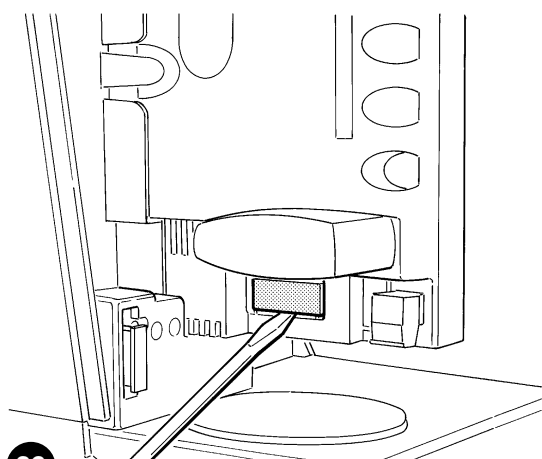
Led 1	Description
Off	During normal operation the device indicates "Automatic Closure" is inactive.
On	During normal operation the device indicates "Automatic Closure" is active.
Flashing	<ul style="list-style-type: none"> Function programming in progress If it flashes together with L2, it means that it the user must carry out the device recognition phase (refer to Paragraph "4.3 Recognition of the devices").
Led L2	Description
Off	During normal operation the device indicates "Close after photo" is inactive.
On	During normal operation the device indicates "Close after photo" is active.
Flashing	<ul style="list-style-type: none"> Function programming in progress If it flashes together with L2, it means that it the user must carry out the device recognition phase (refer to Paragraph "4.3 Recognition of the devices").
Led L3	Description
Off	During normal operation the device indicates "Always Close" is inactive.
On	During normal operation the device indicates "Always Close" is active.
Flashing	<ul style="list-style-type: none"> Function programming in progress If it flashes together with L4, it means that it the user must carry out the leaf length recognition phase (refer to Paragraph "4.4 Recognition length of the leaf").
Led L4	Description
Off	During normal operation the device indicates "Stand-By" is inactive.
On	During normal operation the device indicates "Stand-by" is active.
Flashing	<ul style="list-style-type: none"> Function programming in progress If it flashes together with L3, it means that it the user must carry out the length of the leaf recognition phase (refer to Paragraph "4.4 Recognition of the length of the leaf").
Led L5	Description
Off	During normal operation the device indicates "Thrust" is inactive.
On	During normal operation the device indicates "Thrust" is active.
Flashing	Function programming in progress.
Led L6	Description
Off	During normal operation the device indicates "pre-flashing" is inactive.
On	During normal operation the device indicates "pre-flashing" is active.
Flashing	Function programming in progress.

7.8) Accessories

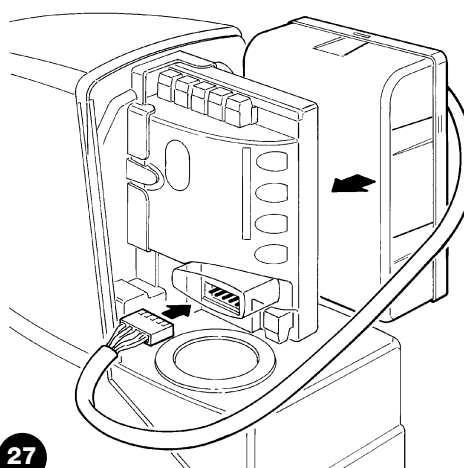
The following optional accessories are available for ROBUS350:

- PS124 24 V Buffer battery – 1.2Ah with integrated charger battery

For information on the complete range of accessories, refer to the Nice s.p.a. product catalogue.



26



27

8) Technical characteristics

Nice S.p.a., in order to improve its products, reserves the right to modify their technical characteristics at any time without prior notice. In any case, the manufacturer guarantees their functionality and fitness for the intended purposes.

All the technical characteristics refer to a room temperature of 20°C (±5°C).

Technical characteristics: ROBUS350	
Type	Electromechanical gearmotor for the automatic movement of sliding gates for residential use, complete with electronic control unit.
Pinion	Z: 15; Module: 4; Pitch: 12,6mm; Pitch diameter: 60mm
Peak thrust	10Nm; corresponds to the ability to start a leaf with a static friction of max. 333N moving.
Nominal torque	6Nm; corresponds to the ability to keep a leaf with a dynamic friction max. 200N moving.
Nominal torque speed	0,18m/s
Idling speed (the control unit allows 6 speeds to be programmed, approx. equal to: 100, 85, 70, 55, 45, 30%) 70, 55, 45, 30%)	0,34m/s
Maximum frequency of operating cycles	50 cycles per day (the control unit allows up to the maximum described in tables 1 and 2)
Maximum continuous operating time	10 minutes (the control unit limits the continuous operation up to the maximum described in tables 1 and 2)
Operating limits	In general, ROBUS350 is suitable for the automation of gates featuring leaves up to 15 m wide and weighing up to 350 kg, as shown in Tables 1 and 2.
ROBUS350 Power supply	230Vac (+10% +15%) 50/60Hz.
ROBUS350/V1 Power supply	120Vac (+10% +15%) 50/60Hz.
Max. absorbed power	250VA
Insulation class	1 (a safety grounding system is required)
Emergency power supply	With PS124 optional accessory
Flashing Light Output	For 1 LUCYE flashing light (12V, 21 W lamp)
BLUEBUS Output	One output with a maximum load of 15 BlueBus units
STOP Input	For normally open contacts, for 8.2kΩ constant resistance, or normally closed contacts; with self-recognition (any variation from the memorized status causes the "STOP" command)
Step-by-step Input	For normally open contacts (the closing of the contact causes the "STEP-BY-STEP" command)
Radio AERIAL Input	52Ω for RG58 or similar type of cable
Programmable functions	6 ON-OFF functions and 6 adjustable functions (see tables 12 and 14)
Recognition functions	Recognition of the devices connected up to the BlueBUS output. Recognition of the type of "STOP" device (Normally Open or Normally Closed contact or 8.2kΩ resistance). Recognition of the length of the gate and calculation of the slowdown and partial opening points.
Operating temperature	-20°C ÷ 50°C
Use in acid, saline or potentially explosive atmosphere	No
Protection class	IP 44
Dimensions and weight	330 x 195 h 277; 8Kg

Technical characteristics	Radio receiver: SMXI	Radio receiver: SMXIS
Type	4 channel receiver for radio control devices.	
Frequency	433.92MHz	
Coding	Digital Rolling code with 53 Bit code, FLOR type	Digital Rolling code with 64 Bit code, SMILO type
Transmitter compatibility	FLOR, VERY VR; only single group: ERGO, PLANO, PLANOTIME, SMILO	SMILO
Transmitters memorized	Up to 256 if memorized in mode 1	
Input impedance	52Ω	
Sensitivity	better than 0.5μV	
Range of the transmitters	From 100 to 150 m. The range can vary if there are obstacles or electromagnetic disturbances, and is affected by the position of the receiving aerial	
Outputs	4 (on SM connector)	
Operating temperature	-10°C ÷ 55°C	

Technical characteristics	transmitter: FLO2R-S	transmitter: SM2
Type	2 channel transmitter for radio command	
Frequency	433.92MHz	
Coding	Digital Rolling code with 53 Bit code, FLOR type	Digital Rolling code with 64 Bit code, SMILO type
Buttons	2	
Power supply	12Vdc with 23A battery	
Absorption	25mA	
Battery life	1 year, estimated on the basis of 10 commands/day, each lasting 1s at 20°C (at low temperatures the efficiency of the batteries decreases)	
Irradiated power	100μW	
Dimensions and weight	72 x 40 h 18mm / 30g	Diameter 48 h14mm / 19g
Protection class	IP40 (suitable for use indoors or in protected environments)	
Operating temperature	-40°C ÷ 85°C	

Congratulations for having chosen a Nice product for your automation system! Nice S.p.A. produces components for the automation of gates, doors, rolling gates, roller shutters and awnings: gearmotors, control units, radio controls, flashing lights, photocells and miscellaneous accessories. Nice uses only the finest materials and first-class workmanship. It focuses on the development of innovative solutions designed to simplify the use of its equipment, dedicating meticulous care to the study of its technical, aesthetic and ergonomic characteristics: From the wide range of Nice products, your installation technician will certainly have selected the one best suited to your specific requirements. However, Nice is not the producer of your automation system, which is rather the result of a combination of operations carried out by your installation technician, namely analysis, evaluation, selection of materials and system implementation. Each automation system is unique. Your installation technician is the only person who possesses the experience and professionalism needed to set up a system capable of satisfying your requirements, a system that is safe, reliable, long lasting and built in accordance with the regulations in force. An automation system is not only very convenient; it also improves the level of security in your home. Moreover, it will last for years with very little maintenance. Even though the automation system you possess meets the safety requirements of the legislation in force, this does not exclude the existence of a "residual risk", i.e. the possibility that dangers may arise, usually as a result of improper or unreasonable use. We have prepared the following list of do's and don'ts to help you avoid any mishaps:

- **Before using your automation system** for the first time, ask the installer to explain the origin of any residual risks; take a few minutes and **read the users instructions manual given you by the installer**. Retain the manual for future use and deliver it to any subsequent owner of the automation system.

- **Your automation system is a machine that will faithfully execute your commands;** unreasonable or improper use may generate dangers: do not operate the system if there are people, animals or objects within its range of operation.

- **Children:** automation systems are designed to guarantee high levels of safety and security. They are equipped with detection devices that prevent movement if people or objects are in the way, guaranteeing safe and reliable activation. However, children should not be allowed to play in the vicinity of automated systems; to prevent any accidental activations, keep all remote controls away from children: **they are not toys!**

- **Malfunctions:** If you notice that your automation is not functioning properly, disconnect the power supply

to the system and operate the manual release device. Do not attempt to make any repairs; call the installation technician and, in the meantime, operate the system like a non-automatic gate after releasing the gearmotor as described below.

- **Maintenance:** Like any machine, your automation needs regular periodic maintenance to ensure its long life and total safety. Arrange a periodic maintenance schedule with your installation technician. Nice recommends that maintenance checks be carried out every six months for normal domestic use, but this interval may vary depending on the intensity of use. Only qualified personnel are authorized to carry out checks, maintenance operations and repairs.

- Do not modify the system or its programming and adjustment parameters in any way, even if you feel capable of doing it: your installation technician is responsible for the system.

- **The final test,** the periodic maintenance operations and any repairs must be documented by the person who has performed them; these documents must remain under the custody of the owner of the system.

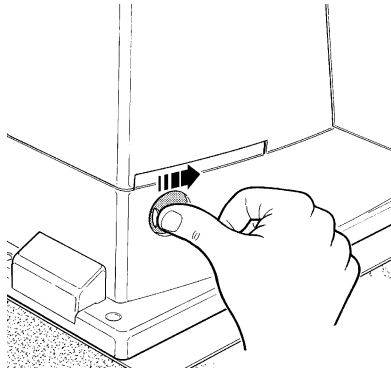
The only recommended maintenance operations that the user can perform periodically concern the cleaning of the photocell glasses and the removal of leaves and debris that may impede the automation. To prevent anyone from activating the gate release the automation system (as described below). Use a slightly damp cloth to clean.

- **Disposal:** At the end of its useful life, the automation must be dismantled by qualified personnel, and the materials must be recycled or disposed of in compliance with the legislation locally in force.

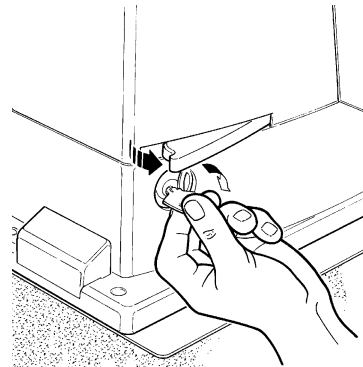
- **In the event of malfunctions or power failures.** While you are waiting for the technician to come (or for the power to be restored if your system is not equipped with buffer batteries), you can operate the system like any non-automatic gate. In order to do this you need to manually release the gearmotor (this operation is the only one that the user of the automation is authorized to perform): This operation has been carefully designed by Nice to make it extremely easy, without any need for tools or physical exertion.

Manual movement and release: before carrying out this operation please note that release can only occur when the leaf is stopped.

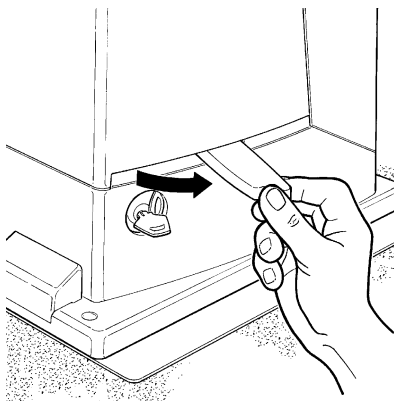
1 Slide the lock cover disc



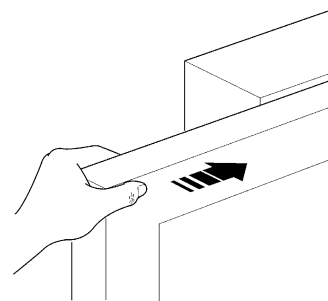
2 Insert and turn the key clockwise



3 Pull the release handle



4 Move the leaf manually



To lock: carry out the same procedures backwards.

Control with safety devices out of order: If the safety devices are malfunctioning, it is still possible to control the gate.

- Operate the gate control device (remote control or key-operated selector switch etc.). If the safety devices enable the operation, the gate will open and close normally, otherwise the flashing light flashes a few times but the manoeuvre does not start (the number of flashes depends on the reason why the manoeuvre is not enabled).
- In this case, **actuate** the control again within 3 seconds and **keep it actuated**.
- After approximately 2s the gate will start moving in the "man present" mode, i.e. so long as the control is maintained the gate will keep moving; as soon as the control is released the gate will stop.

⚠ If the safety devices are out of order the automation must be repaired as soon as possible.

Replacing the Remote Control Battery: if your radio control, after a period of time, seems not to work as well, or not to work at all, it may simply be that the battery is exhausted (depending on the type of use, it may last from several months up to one year and more). In this case you will see that the light confirming the transmission is weak, or does not come on, or comes on only briefly. Before calling the installation technician try exchanging the battery with one from another operating transmitter: if the problem is caused by a low battery, just replace it with another of the same type.

The batteries contain polluting substances: do not dispose of them together with other waste but use the methods established by local regulations.

Are you satisfied? If you wish to install another automation system in your home, call your old installation technician and use Nice products. You will get the services of a specialist and the most advanced products available on the market, superior performances and maximum system compatibility.

Thank you for reading these instructions. We feel confident that you will be well satisfied with your new system: for any present or future requirements, please contact your reliable installation technician.

Robus350

Indice:	pag.				
1	Avvertenze	25	7	Approfondimenti	34
2	Descrizione prodotto e destinazione d'uso	25	7.1	Tasti di programmazione	34
2.1	Limiti d'impiego	25	7.2	Programmazioni	34
2.2	Impianto tipico	26	7.2.1	Funzioni primo livello (funzioni ON-OFF)	34
2.3	Elenco cavi	26	7.2.2	Programmazione primo livello (funzioni ON-OFF)	35
3	Installazione	26	7.2.3	Funzioni secondo livello (parametri regolabili)	35
3.1	Verifiche preliminari	27	7.2.4	Programmazione secondo livello (parametri regolabili)	36
3.2	Fissaggio del motoriduttore	27	7.2.5	Esempio di programmazione primo livello (funzioni ON-OFF)	36
3.3	Installazione dei vari dispositivi	28	7.2.6	Esempio di programmazione secondo livello (parametri regolabili)	37
3.4	Collegamenti elettrici	28	7.3	Aggiunta o rimozione dispositivi	37
3.5	Descrizione dei collegamenti elettrici	29	7.3.1	BlueBUS	37
4	Verifiche finali ed avviamento	29	7.3.2	Ingresso STOP	37
4.1	Selezione della direzione	29	7.3.3	Fotocellule	38
4.2	Allacciamento dell'alimentazione	30	7.3.4	Apprendimento altri dispositivi	38
4.3	Apprendimento dei dispositivi	30	7.4	Funzioni particolari	38
4.4	Apprendimento lunghezza dell'anta	30	7.4.1	Funzione "Apri sempre"	38
4.5	Verifica del movimento del cancello	30	7.4.2	Funzione "Muovi comunque"	38
4.6	Funzioni preimpostate	30	7.5	Collegamento altri dispositivi	39
4.7	Memorizzazione dei trasmettitori radio	31	7.6	Risoluzione dei problemi	39
4.7.1	Memorizzazione modo I	31	7.7	Diagnostica e segnalazioni	39
4.7.2	Memorizzazione modo II	31	7.7.1	Segnalazioni con il lampeggiante	40
4.7.3	Memorizzazione "a distanza"	32	7.7.2	Segnalazioni sulla centrale	40
4.7.4	Cancellazione dei trasmettitori radio	32	7.8	Accessori	41
4.7.5	Dichiarazione di conformità ricevitore radio	32	8	Caratteristiche tecniche	42
5	Collaudo e messa in servizio	32		Istruzioni ed avvertenze destinate all'utilizzatore del motoriduttore ROBUS	43
5.1	Collaudo	33			
5.2	Messa in servizio	33			
6	Manutenzione e smaltimento	33			
6.1	Manutenzione	33			
6.2	Smaltimento	33			

1) Avvertenze

Questo manuale di istruzioni contiene importanti informazioni riguardanti la sicurezza per l'installazione, è necessario leggere tutte le istruzioni prima di procedere all'installazione. Conservare con cura questo manuale anche per utilizzi futuri.

Considerando i pericoli che si possono verificare durante l'installazione e l'uso di ROBUS350, per la massima sicurezza è necessario che l'installazione avvenga nel pieno rispetto di leggi, norme e regolamenti. In questo capitolo verranno riportate avvertenze di tipo generico; altre importanti avvertenze sono presenti nei capitoli "3.1 Verifiche preliminari"; "5 Collaudo e messa in servizio".

⚠ Secondo la più recente legislazione europea, la realizzazione di una porta o cancello automatico ricade in quanto previsto dalla Direttiva 98/37/CE (Direttiva Macchine) e nel particolare, alle norme: EN 12445; EN 12453 ed EN 12635, che consentono di dichiarare la presunzione di conformità.

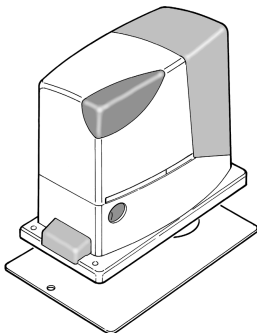
Ulteriori informazioni, linee guida all'analisi dei rischi ed alla realizzazione del Fascicolo Tecnico, sono disponibili su: "www.niceforyou.com".

- Il presente manuale è destinato solamente al personale tecnico qualificato per l'installazione. Salvo lo specifico allegato da staccare a cura dell'installatore "Istruzioni ed avvertenze destinate all'utilizzatore del motoriduttore ROBUS" nessuna altra informazione contenuta nel presente fascicolo può essere considerata d'interesse per l'utilizzatore finale!
- L'uso di ROBUS350 diverso da quanto previsto in queste istruzioni è vietato; usi impropri possono essere causa pericoli o danni a persone e cose.

- Prima di iniziare l'installazione è necessario eseguire l'analisi dei rischi che comprende l'elenco dei requisiti essenziali di sicurezza previsti nell'allegato I della Direttiva Macchine, indicando le relative soluzioni adottate. Si ricorda che l'analisi dei rischi è uno dei documenti che costituiscono il "fascicolo tecnico" dell'automazione.
- Verificare la necessità di ulteriori dispositivi per completare l'automazione con ROBUS350 in base alla specifica situazione d'impiego ed ai pericoli presenti; devono essere considerati ad esempio i rischi di impatto, schiacciamento, cesoiamento, convogliamento, ecc., ed altri pericoli in genere.
- Non eseguire modifiche su nessuna parte se non previste nelle presenti istruzioni; operazioni di questo tipo possono solo causare malfunzionamenti; NICE declina ogni responsabilità per danni derivati da prodotti modificati.
- Durante l'installazione e l'uso evitare che parti solide o liquidi possano penetrare all'interno della centrale e di altri dispositivi aperti; eventualmente rivolgersi al servizio di assistenza NICE; l'uso di ROBUS350 in queste situazioni può causare situazioni di pericolo
- L'automatismo non può essere utilizzato prima di aver effettuato la messa in servizio come specificato nel capitolo: "5 Collaudo e messa in servizio".
- Il materiale dell'imballaggio di ROBUS350 deve essere smaltito nel pieno rispetto della normativa locale.
- Nel caso di guasto non risolvibile facendo uso delle informazioni riportate nel presente manuale, interpellare il servizio di assistenza NICE.
- Qualora si verificano interventi di interruttori automatici o di fusibili, prima di ripristinarli è necessario individuare ed eliminare il guasto.
- Prima di accedere ai morsetti interni al coperchio di ROBUS350 scollegare tutti i circuiti di alimentazione; se il dispositivo di sconnessione non è a vista apporvi un cartello: "ATTENZIONE MANUTENZIONE IN CORSO".

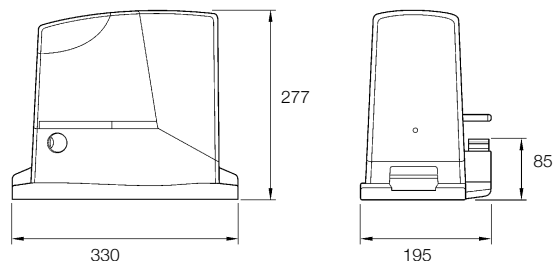
2) Descrizione prodotto e destinazione d'uso

ROBUS350 è un motoriduttore elettromeccanico per il movimento automatico di cancelli scorrevoli per uso residenziale, dispone di una centrale elettronica di controllo e di ricevitore per radiocomando. I collegamenti elettrici verso i dispositivi esterni sono semplificati grazie all'uso di "BlueBUS", una tecnica che permette di collegare più dispositivi con soli 2 fili.



1

ROBUS350 funziona mediante energia elettrica, in caso di mancanza di alimentazione dalla rete elettrica, è possibile effettuare lo sblocco mediante apposita chiave e muovere manualmente il cancello; oppure è possibile usare l'accessorio opzionale: batteria tampone PS124 che permette alcune manovre anche in assenza di alimentazione da rete.



2.1) Limiti d'impiego

I dati relativi alle prestazioni di ROBUS350 sono riportati nel capitolo "8 Caratteristiche tecniche" e sono gli unici valori che consentono la corretta valutazione dell'idoneità all'uso.

Generalmente ROBUS350 è in grado di automatizzare cancelli con peso fino a 350Kg oppure lunghezza fino a 7m secondo quanto riportato nelle tabelle N°1 e N°2.

La lunghezza dell'anta permette di determinare il numero massimo di cicli per ora e di cicli consecutivi mentre il peso permette di determinare la percentuale di riduzione dei cicli e la velocità massima consentita; ad esempio se l'anta è lunga 5m sarebbero possibili 18 cicli/ora e 12 cicli consecutivi ma se l'anta pesa 270Kg occorre ridurli a 80%, il risultato è quindi 14 cicli/ora e circa 9 cicli consecutivi mentre la velocità massima consentita è V4: veloce.

Per evitare surriscaldamenti la centrale prevede un limitatore che si

basa sullo sforzo del motore e la durata dei cicli, intervenendo quando viene superato il limite massimo.

Tabella N°1: limiti in relazione alla lunghezza dell'anta

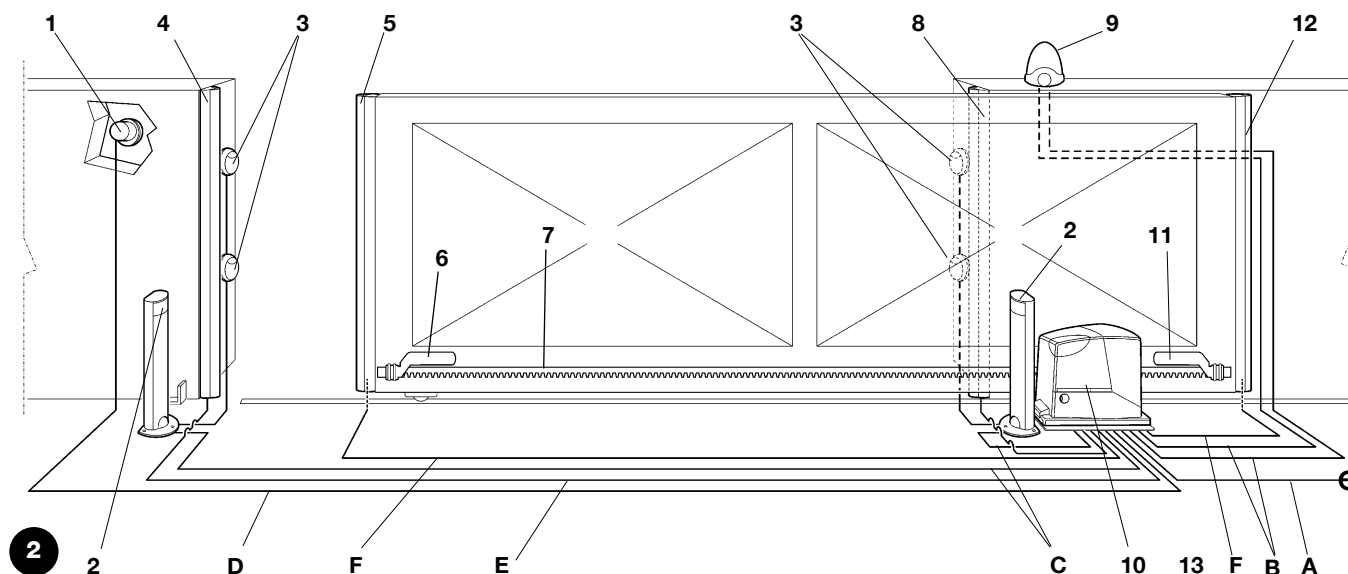
Lunghezza anta metri	cicli/ora massimi	cicli consecutivi massimi
Fino a 3	30	20
3÷5	18	12
5÷6	15	10
6÷7	12	8

Tabella N°2: limiti in relazione al peso dell'anta

Peso anta Kg.	Percentuale cicli	Velocità massima consentita
Fino a 200	100%	V6 = Velocissimo
200÷250	90%	V5 = Molto veloce
250÷300	80%	V4 = Veloce
300÷350	70%	V3 = Medio

2.2) Impianto tipico

In figura 2 è riportato l'impianto tipico dell'automazione di un cancello di tipo scorrevole utilizzando ROBUS350



- | | |
|------------------------------------|--|
| 1 Selettore a chiave | 8 Bordo secondario fisso (opzionale) |
| 2 Fotocellule su colonnina | 9 Lampeggiante con antenna incorporata |
| 3 Fotocellule | 10 ROBUS350 |
| 4 Bordo primario fisso (opzionale) | 11 Staffa di finecorsa "Chiuso" |
| 5 Bordo primario mobile | 12 Bordo secondario mobile (opzionale) |
| 6 Staffa di finecorsa "Aperto" | 13 Radio trasmettitore |
| 7 Cremagliera | |

2.3) Elenco cavi

Nell'impianto tipico di figura 2 sono indicati anche i cavi necessari per i collegamenti dei vari dispositivi; in tabella N°3 sono indicate le caratteristiche dei cavi.

⚠ I cavi utilizzati devono essere adatti al tipo di installazione; ad esempio si consiglia un cavo tipo H03VV-F per posa in ambienti interni oppure H07RN-F se posato all'esterno.

Tabella N°3: elenco cavi

Collegamento	Tipo cavo	Lunghezza massima consentita
A: Linea elettrica di alimentazione	N°1 cavo 3x1,5mm ²	30m (nota 1)
B: Lampeggiante con antenna	N°1 cavo 2x0,5mm ²	20m
	N°1 cavo schermato tipo RG58	20m (consigliato minore di 5m)
C: Fotocellule	N°1 cavo 2x0,5mm ²	30m (nota 2)
D: Selettore a chiave	N°2 cavi 2x0,5mm ² (nota 3)	50m
E: Bordi fissi	N°1 cavo 2x0,5mm ² (nota 4)	30m
F: Bordi mobili	N°1 cavo 2x0,5mm ² (nota 4)	30m (nota 5)

Nota 1: se il cavo di alimentazione è più lungo di 30m occorre un cavo con sezione maggiore, ad esempio 3x2,5mm² ed è necessaria una messa a terra di sicurezza in prossimità dell'automazione.

Nota 2: se il cavo "BLUEBUS" è più lungo di 30m, fino ad un massimo di 50m, occorre un cavo 2x1mm².

Nota 3: i due cavi 2x0,5mm² possono essere sostituiti da un solo cavo 4x0,5mm².

Nota 4: se è presente più di un bordo vedere il capitolo "7.3.2 Ingresso STOP" per il tipo di collegamento consigliato

Nota 5: per il collegamento dei bordi mobili su ante scorrevoli occorre utilizzare opportuni dispositivi che permettono la connessione anche con l'anta in movimento.

3) Installazione

⚠ l'installazione di ROBUS350 deve essere effettuata da personale qualificato, nel rispetto di leggi, norme e regolamenti e di quanto riportato nelle presenti istruzioni.

3.1) Verifiche preliminari

Prima di procedere con l'installazione di ROBUS350 è necessario eseguire questi controlli:

- Verificare che tutto il materiale da utilizzare sia in ottimo stato, adatto all'uso e conforme alle norme.
- Verificare che la struttura del cancello sia adatta ad essere automatizzata.
- Verificare che peso e dimensioni dell'anta rientrino nei limiti di impiego riportati nel capitolo "2.1 Limiti d'impiego"
- Verificare, confrontando con i valori riportati nel capitolo "8 Caratteristiche tecniche", che l'attrito statico (cioè la forza necessaria per mettere in movimento l'anta) sia inferiore a metà della "Coppia massima" e che l'attrito dinamico (cioè la forza necessaria per mantenere in movimento l'anta) sia inferiore a metà della "Coppia nominale"; viene consigliato un margine del 50% sulle forze perché le condizioni climatiche avverse possono far aumentare gli attriti.
- Verificare che in tutta la corsa del cancello, sia in chiusura che in apertura, non ci siano punti con maggiore attrito.
- Verificare che non vi sia pericolo di deragliamento dell'anta e che non ci siano rischi di uscita dalle guide
- Verificare la robustezza degli arresti meccanici di oltrecorsa controllando che non vi siano deformazioni anche se l'anta dovesse sbattere con forza sull'arresto.
- Verificare che l'anta sia in equilibrio cioè non deve muoversi se lasciata ferma in una qualsiasi posizione.
- Verificare che la zona di fissaggio del motoriduttore non sia soggetta ad allagamenti; eventualmente prevedere il montaggio del motoriduttore adeguatamente sollevato da terra.

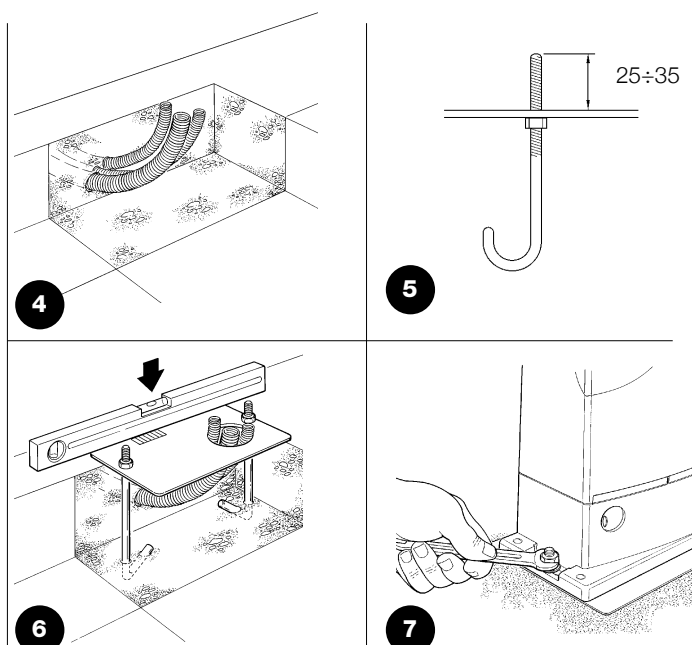
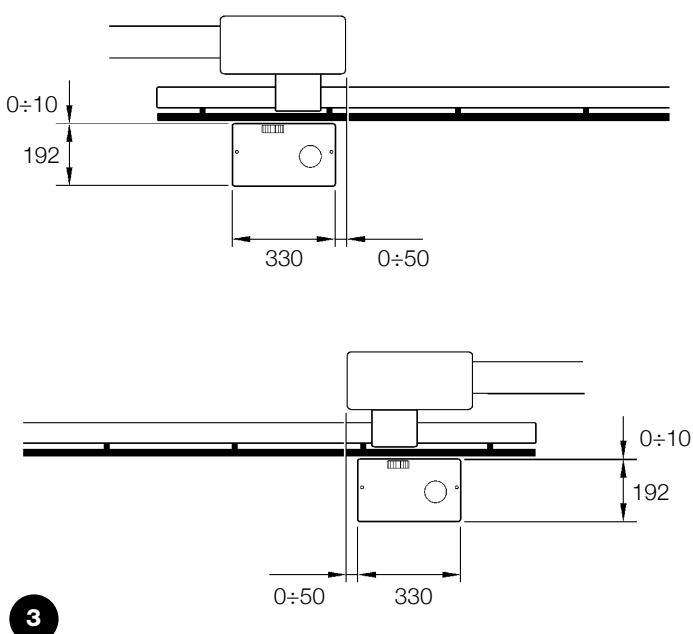
- Verificare che la zona di fissaggio del motoriduttore permetta lo sblocco ed una manovra manuale facile e sicura.
- Verificare che i punti di fissaggio dei vari dispositivi siano in zone protette da urti e le superfici siano sufficientemente solide.
- Evitare che le parti dell'automatismo possano venir immerse in acqua o in altre sostanze liquide.
- Non porre ROBUS350 vicino a fiamme o fonti di calore; in atmosfere potenzialmente esplosive, particolarmente acide o saline; questo può danneggiare ROBUS350 ed essere causa di malfunzionamenti o situazioni di pericolo.
- Nel caso sia presente un porta di passaggio interna all'anta oppure una porta sull'area di movimento dell'anta, occorre assicurarsi che non intralci la normale corsa ed eventualmente provvedere con un opportuno sistema di interblocco
- Collegare la centrale ad una linea di alimentazione elettrica dotata di messa a terra di sicurezza.
- La linea di alimentazione elettrica deve essere protetta da un adeguato dispositivo magnetotermico e differenziale.
- Sulla linea di alimentazione dalla rete elettrica è necessario inserire un dispositivo di sconnessione dell'alimentazione (con categoria di sovratensione III cioè distanza fa i contatti di almeno 3,5mm) oppure altro sistema equivalente ad esempio una presa e relativa spina. Se il dispositivo di sconnessione dell'alimentazione non è in prossimità dell'automazione deve disporre di un sistema di blocco contro la connessione non intenzionale o non autorizzata.

3.2) Fissaggio del motoriduttore

Se la superficie di appoggio è già esistente il fissaggio del motoriduttore dovrà avvenire direttamente sulla superficie utilizzando adeguati mezzi ad esempio attraverso tasselli ad espansione. Altrimenti, per fissare il motoriduttore:

1. Eseguire uno scavo di fondazione di adeguate dimensioni usando come riferimento al quote indicate in Figura 3.
2. Predisporre uno o più tubi per il passaggio dei cavi elettrici come in Figura 4.
3. Assemblare le due zanche sulla piastra di fondazione ponendo un dado sotto ed uno sopra la piastra; il dado sotto la piastra va avvitato come in figura 5 in modo che la parte filettata sporga circa 25÷35 mm sopra la piastra.

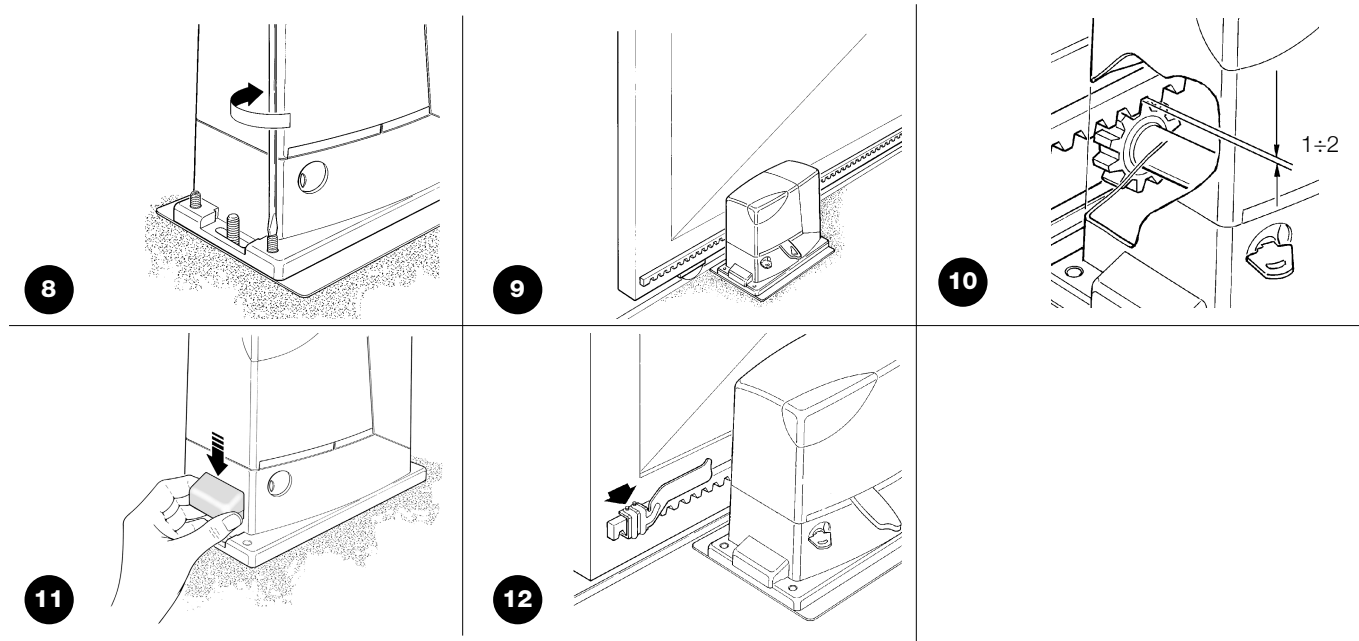
4. Effettuare la colata di calcestruzzo e, prima che inizi la presa, porre la piastra di fondazione alle quote indicate in figura 3; verificare che sia parallela all'anta e perfettamente in bolla. Attendere la completa presa del calcestruzzo.
5. Togliere i 2 dadi superiori alla piastra quindi appoggiarvi il motoriduttore; verificare che sia perfettamente parallelo all'anta poi avvitare leggermente i 2 dadi e rondelle in dotazione come in figura 7.



Se la cremagliera è già presente, una volta fissato il motoriduttore, agire su grani di regolazione come in figura 8 per porre il pignone di ROBUS350 alla giusta altezza lasciando $1\div 2$ mm di gioco dalla cremagliera. Altrimenti per fissare la cremagliera occorre:

6. Sbloccare il motoriduttore come indicato nel paragrafo "Sblocco e movimento manuale" sul capitolo "Istruzioni ed avvertenze destinate all'utilizzatore del motoriduttore ROBUS"

7. Aprire completamente l'anta, appoggiare sul pignone il primo tratto di cremagliera e verificare che l'inizio della cremagliera corrisponda all'inizio dell'anta come in figura 9. Verificare che tra pignone e cremagliera vi sia un gioco di $1\div 2$ mm, quindi fissare con mezzi adeguati la cremagliera sull'anta.



⚠ Per evitare che il peso dell'anta possa gravare sul motoriduttore è importante che tra cremagliera e pignone ci sia un gioco di $1\div 2$ mm come in figura 10.

- 8.** Far scorrere l'anta ed utilizzare sempre il pignone come riferimento per fissare gli altri elementi della cremagliera.
- 9.** Tagliare l'ultimo tratto di cremagliera per la parte eccedente.
- 10.** Provare a muovere l'anta varie volte in apertura e chiusura e verificare che la cremagliera scorra allineata sul pignone con un disallineamento massimo di 5 mm. E che per tutta la lunghezza sia stato rispettato il gioco $1\div 2$ mm tra pignone e cremagliera.

11. Serrare energicamente i dadi di fissaggio del motoriduttore assicurandosi così che sia ben saldo a terra; coprire i dadi di fissaggio con gli appositi tappi come in figura 11.

12. Fissare con i relativi grani le staffe di finecorsa di "Apertura" e di "Chiusura" ai lati estremi della cremagliera come in figura 12. Occorre considerare che quando intervengono i finecorsa, l'anta si muoverà per altri 2-3 cm; è consigliabile quindi porre le staffe di finecorsa con opportuno margine sugli arresti meccanici.

13. Bloccare il motoriduttore come indicato nel paragrafo "Sblocco e movimento manuale" sul capitolo "Istruzioni ed avvertenze destinate all'utilizzatore del motoriduttore ROBUS"

3.3) Installazione dei vari dispositivi

Effettuare l'installazione degli altri dispositivi previsti seguendo le rispettive istruzioni. Verificare nel paragrafo "3.5 Descrizione dei collegamenti elettrici" ed in figura 2 i dispositivi che possono essere collegati a ROBUS350.

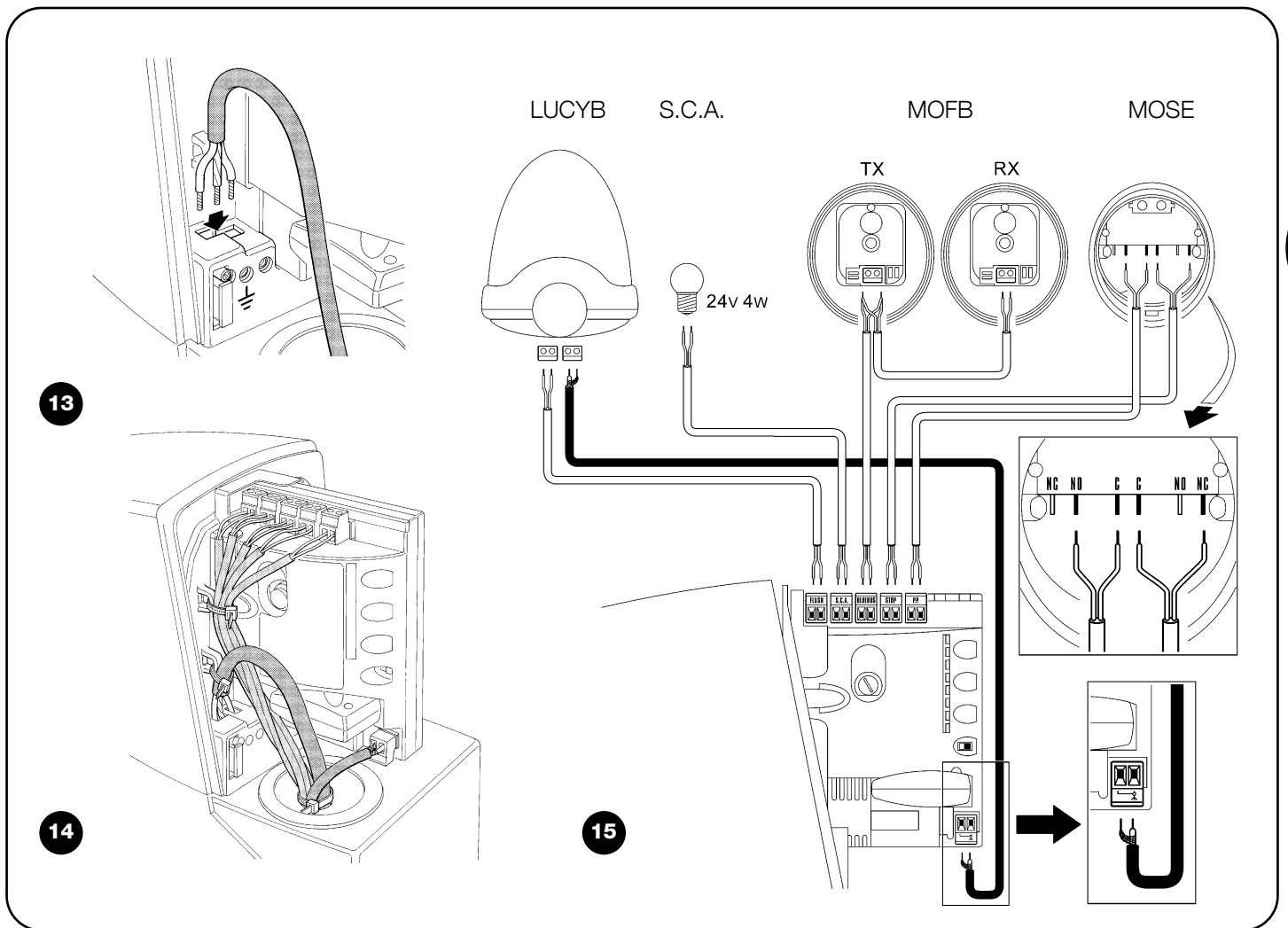
3.4) Collegamenti elettrici

⚠ Tutti i collegamenti elettrici devono essere eseguiti in assenza di tensione all'impianto e con l'eventuale batteria tampone scollegata.

- 1.** Per rimuovere il coperchio di protezione ed accedere alla centrale elettronica di controllo di ROBUS350 occorre togliere la vite a lato e sfilare il coperchio tirandolo verso l'alto.
- 2.** Rimuovere la membrana di gomma che chiude il foro per il passaggio dei cavi ed infilare tutti i cavi di collegamento verso i vari dispositivi, lasciandoli $20\div 30$ cm più lunghi del necessario. Vedere tabella N°3 per il tipo di cavi e figura 2 per i collegamenti.
- 3.** Attraverso una fascetta raccogliere ed unire tutti i cavi che entrano nel motoriduttore, porre la fascetta poco sotto il foro d'entrata cavi. Sulla membrana di gomma ritagliare un foro un po' più

stretto del diametro dei cavi raccolti ed infilare la membrana lungo i cavi fino alla fascetta; quindi reinserire la membrana nella sede del foro per il passaggio dei cavi. Porre una seconda fascetta per raccogliere i cavi appena sopra la membrana.

- 4.** Collegare il cavo di alimentazione sull'apposito morsetto come indicato in figura 13 quindi con una fascetta bloccare il cavo al primo anello fermacavi.
- 5.** Eseguire i collegamenti degli altri cavi secondo lo schema di figura 15. Per maggiore comodità i morsetti sono estraibili.
- 6.** Terminati i collegamenti bloccare con delle fascette i cavi raccolti al secondo anello fermacavi, la parte eccedente del cavo d'antenna va bloccata agli altri cavi con un'altra fascetta come indicato in figura 14.



3.5) Descrizione dei collegamenti elettrici

In questo paragrafo c'è una breve descrizione dei collegamenti elettrici; ulteriori informazioni nel paragrafo "7.3 Aggiunta o rimozione dispositivi".

FLASH: uscita per lampeggiante tipo "LUCYB" o simili con la sola lampada 12V massimo 21 W.

S.C.A.: uscita "Spia Cancellato Aperto"; è possibile collegare una lampada di segnalazione 24V massimo 4W.

BLUEBUS: su questo morsetto si possono collegare i dispositivi compatibili; tutti vengono collegati in parallelo con soli due conduttori sui quali transita sia l'alimentazione elettrica che i segnali di comunicazione. Altre informazioni su BlueBUS sono presenti nel paragrafo "7.3.1 BlueBUS".

STOP: ingresso per dispositivi che bloccano o eventualmente arrestano la manovra in corso; con opportuni accorgimenti sull'ingresso è possibile collegare contatti tipo "Normalmente Chiuso", tipo "Normalmente Aperto" oppure dispositivi a resistenza costante. Altre informazioni su STOP sono presenti nel paragrafo "7.3.2 Ingresso STOP".

P.P.: ingresso per dispositivi che comandano il movimento; è possibile collegare contatti di tipo "Normalmente Aperto".

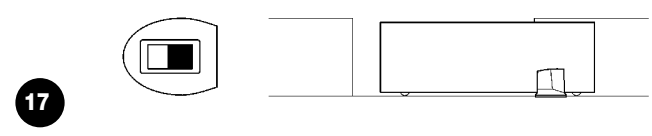
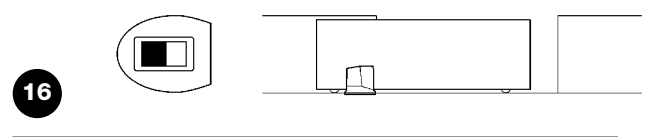
ANTENNA: ingresso di collegamento dell'antenna per ricevitore radio (l'antenna è incorporata su LUCY B).

4) Verifiche finali ed avviamento

Prima di iniziare la fase di verifica ed avviamento dell'automazione è consigliabile porre l'anta a metà corsa circa in modo che sia libera di muovere sia in apertura che in chiusura.

4.1) Selezione della direzione

A seconda della posizione del motoriduttore rispetto all'anta è necessario scegliere la direzione della manovra di apertura; se per l'apertura l'anta deve muovere verso sinistra occorre spostare il selettore verso sinistra come in figura 16, se per l'apertura l'anta deve muovere a destra occorre spostare il selettore a destra come in figura 17.



4.2) Allacciamento dell'alimentazione

⚠️ **L'allacciamento dell'alimentazione a ROBUS350 deve essere eseguito da personale esperto, qualificato, in possesso dei requisiti richiesti e nel pieno rispetto di leggi, norme e regolamenti.**

Non appena viene fornita tensione a ROBUS350 è consigliabile fare alcune semplici verifiche:

1. Verificare che il led BLUEBUS lampeggi regolarmente alla frequenza di un lampeggio al secondo.
2. Verificare che lampeggino anche i led sulle fotocellule (sia su TX che su RX); non è significativo il tipo di lampeggio, dipende da altri fattori.

3. Verificare che il lampeggiante collegato all'uscita FLASH e la lampada spia collegata sull'uscita S.C.A. siano spenti

Se tutto questo non avviene occorre spegnere immediatamente l'alimentazione alla centrale e controllare con maggiore attenzione i collegamenti elettrici.

Altre informazioni utili per la ricerca e la diagnosi dei guasti sono presenti nel capitolo "7.6 Risoluzione dei problemi"

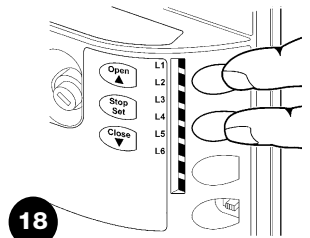
4.3) Apprendimento dei dispositivi

Dopo l'allacciamento dell'alimentazione occorre far riconoscere alla centrale i dispositivi collegati sugli ingressi BLUEBUS e STOP.

Prima di questa fase i led L1 ed L2 lampeggiano per indicare che occorre eseguire l'apprendimento dei dispositivi.

1. Premere e tenere premuti i tasti **[▲]** e **[Set]**
2. Rilasciare i tasti quando i led L1 e L2 iniziano a lampeggiare molto velocemente (dopo circa 3s)
3. Attendere alcuni secondi che la centrale finisca l'apprendimento dei dispositivi
4. Al termine dell'apprendimento il led STOP deve rimanere acceso, i led L1 e L2 si spegneranno (eventualmente inizieranno a lampeggiare i led L3 e L4)

La fase di apprendimento dispositivi collegati può essere rifatta in qualsiasi momento anche dopo l'installazione per esempio se venisse aggiunto un dispositivo; per effettuare il nuovo apprendimento vedere paragrafo "7.3.4 Apprendimento altri dispositivi"



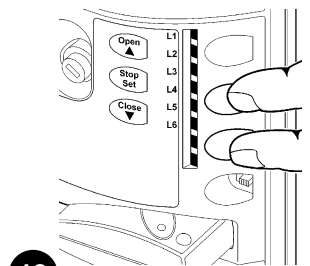
4.4) Apprendimento lunghezza dell'anta

Dopo l'apprendimento dei dispositivi inizieranno a lampeggiare i led L3 e L4; ciò significa che è necessario far riconoscere alla centrale la lunghezza dell'anta (distanza dal finecorsa di chiusura al finecorsa di

apertura); questa misura è necessaria per il calcolo dei punti di rallentamento ed il punto di apertura parziale.

1. Premere e tenere premuti i tasti **[▼]** e **[Set]**
2. Rilasciare i tasti quando inizia la manovra (dopo circa 3s)
3. Verificare che la manovra in corso sia una apertura altrimenti premere il tasto **[Stop]** e controllare con maggiore attenzione il paragrafo "4.1 Selezione della direzione"; poi ripetere dal punto 1.
4. Attendere che la centrale completi la manovra di apertura fino al raggiungimento del finecorsa di apertura; subito dopo inizia la manovra di chiusura.
5. Attendere che la centrale completi la manovra di chiusura

Se tutto questo non avviene occorre spegnere immediatamente l'alimentazione alla centrale e controllare con maggiore attenzione i collegamenti elettrici. Altre informazioni utili sono presenti nel capitolo "7.6 Risoluzione dei problemi"



4.5) Verifica del movimento del cancello

Dopo l'apprendimento della lunghezza dell'anta è consigliabile effettuare alcune manovre per verificare il corretto movimento del cancello.

1. Premere il tasto **[Open]** per comandare una manovra di "Aprire"; verificare che l'apertura del cancello avvenga regolarmente senza variazioni di velocità; solo quando l'anta è tra 70 e 50cm dal finecorsa di apertura dovrà rallentare e fermarsi, per intervento del finecorsa, a 2÷3cm dall'arresto meccanico di apertura.
2. Premere il tasto **[Close]** per comandare una manovra di "Chiudere"; verificare che la chiusura del cancello avvenga regolarmente senza variazioni di velocità; solo quando l'anta è tra 70 e 50cm dal finecorsa di chiusura dovrà rallentare e fermarsi, per intervento del finecorsa, a 2÷3cm dall'arresto meccanico di chiusura.

3. Durante le manovre verificare che il lampeggiante effettui i lampeggi con periodi di 0,5s acceso e 0,5s spento. Se presente, controllare anche i lampeggi della spia collegata al morsetto SCA: lampeggio lento in apertura, veloce in chiusura.

4. Effettuare varie manovre di apertura e chiusura con lo scopo di evidenziare eventuali difetti di montaggio e regolazione o altre anomalie come ad esempio punti con maggior attrito.

5. Verificare che il fissaggio del motoriduttore ROBUS350, della cremagliera e delle staffe di finecorsa siano solidi, stabili ed adeguatamente resistenti anche durante le brusche accelerazioni o decelerazioni del movimento del cancello

4.6) Funzioni preimpostate

La centrale di controllo di ROBUS350 dispone di alcune funzioni programmabili, di fabbrica queste funzioni vengono regolate in una configurazione che dovrebbe soddisfare la maggior parte delle automazioni; comunque le funzioni possono essere cambiate in qualsiasi

momento attraverso una opportuna procedura di programmazione, a questo scopo vedere paragrafo "7.2 Programmazioni".

4.7) Memorizzazione dei trasmettitori radio

Per il comando a distanza di ROBUS350, sulla centrale di controllo è previsto l'innesto SM per ricevitori radio tipo SMXI o SMXIS (vedere fig.20);ogni radio trasmettitore viene riconosciuto da questo ricevitore mediante un "codice" diverso da ogni altro trasmettitore. E' necessaria quindi una fase di "memorizzazione" attraverso la quale si predispongono il ricevitore a riconoscere ogni singolo trasmettitore, la memorizzazione dei trasmettitori può avvenire in 2 modalità

Modo I: in questa modalità la funzione dei tasti del trasmettitore è fissa e ad ogni tasto corrisponde nella centrale al comando riportato in tabella N°4; si esegue una unica fase per ogni trasmettitore del quale vengono memorizzati tutti i tasti, durante questa fase non ha importanza quale tasto viene premuto e viene occupato un solo posto in memoria.

In modo I, normalmente un trasmettitore può comandare una sola automazione

Modo II: in questa modalità ogni singolo tasto del trasmettitore può essere associato ad uno dei 4 possibili comandi della centrale riportati in tabella N°5; per ogni fase viene memorizzato solo un tasto e cioè quello premuto durante la fase di memorizzazione. Nella memoria viene occupato un posto per ogni tasto memorizzato.

In modo II i diversi tasti dello stesso trasmettitore possono essere usati per dare più comandi alla stessa automazione oppure per comandare più automazioni. Ad esempio, in tabella N°6, viene comandata solo l'automazione "A" ed i tasti T3 e T4 sono associati allo stesso comando; oppure nell'esempio in tabella 7 dove vengono comandate 3 automazioni "A" (tasti T1 e T2), "B" (tasto T3) e "C" (tasto T4).

⚠ Poiché le procedure di memorizzazione hanno un tempo limite di 10s è necessario leggere prima le istruzioni riportate nei prossimi paragrafi e poi procedere con l'esecuzione delle stesse.

Tabella N°4: memorizzazione Modo I

Tasto T1	Comando "PP"
Tasto T2	Comando "Apertura pedonale"
Tasto T3	Comando "Apri"
Tasto T4	Comando "Chiudi"

Nota: i trasmettitori monocanale dispongono solo del tasto T1, i trasmettitori bicanale dispongono solo dei tasti T1 e T2.

Tabella N°5: comandi disponibili in Modo II

N°1	Comando "PP"
N°2	Comando "Apertura pedonale"
N°3	Comando "Apri"
N°4	Comando "Chiudi"

Tabella N°6: 1° esempio di memorizzazione in Modo II

Tasto T1	Comando "Apri"	Automazione A
Tasto T2	Comando "Chiudi"	Automazione A
Tasto T3	Comando "Apertura pedonale"	Automazione A
Tasto T4	Comando "Apertura pedonale"	Automazione A

Tabella N°7: 2° esempio di memorizzazione in Modo II

Tasto T1	Comando "Apri"	Automazione A
Tasto T2	Comando "Chiudi"	Automazione A
Tasto T3	Comando "PP"	Automazione B
Tasto T4	Comando "PP"	Automazione C

4.7.1) Memorizzazione modo I

20

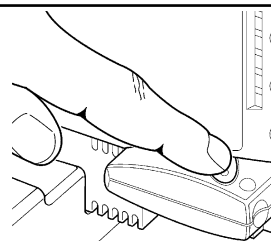

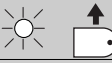




Tabella N°8: per memorizzare un trasmettitore in modo I





	Esempio
1. Premere e tener premuto il tastino sul ricevitore (per circa 3s)	 3s
2. Rilasciare il tastino quando si accende il led sul ricevitore	
3. Entro 10s premere per almeno 2s un tasto qualsiasi del trasmettitore da memorizzare	 2s
4. Se la memorizzazione è andata a buon fine il led sul ricevitore farà 3 lampeggi.	 x3

Se ci sono altri trasmettitori da memorizzare, ripetere il punto 3 entro altri 10s.

La fase di memorizzazione termina se per 10 secondi non vengono ricevuti nuovi codici.

4.7.2) Memorizzazione modo II

Tabella N°9: per memorizzare il tasto di un trasmettitore in modo II

	Esempio
1. Premere il tastino del ricevitore un numero di volte pari al comando desiderato secondo la tabella N°5	 1...4
2. Verificare che il led del ricevitore emetta un numero di lampeggi uguali al comando desiderato	 1...4
3. Entro 10s premere per almeno 2s il tasto desiderato del trasmettitore da memorizzare	 2s
4. Se la memorizzazione è andata a buon fine il led sul ricevitore farà 3 lampeggi.	 x3

Se ci sono altri trasmettitori da memorizzare per lo stesso comando, ripetere il punto 3 entro altri 10s.

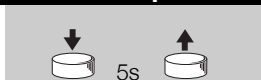
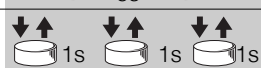

La fase di memorizzazione termina se per 10 secondi non vengono ricevuti nuovi codici.

4.7.3) Memorizzazione “a distanza”

E' possibile memorizzare un nuovo trasmettitore senza dover agire direttamente sul tastino del ricevitore; per fare ciò è necessario disporre di un telecomando già memorizzato e funzionante. Il nuovo trasmettitore “eredita” le caratteristiche di quello già memorizzato; quindi se il primo trasmettitore è memorizzato in modo I anche il nuovo sarà memorizzato in modo I e si potranno premere uno qualunque dei tasti dei trasmettitori. Se invece il trasmettitore già funzionante è memorizzato in modo II anche il nuovo sarà memorizzato in modo II e diventa importante premere, nel primo trasmettitore il tasto relativo al comando desiderato, e nel secondo trasmettitore il tasto da associare a quel comando.


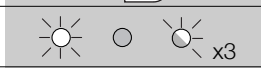


⚠ La memorizzazione a distanza può avvenire in tutti i ricevitori che si trovano nel raggio della portata del trasmettitore; è quindi necessario tenere alimentato solo quello interessato all'operazione.

Con i due trasmettitori porsi nel raggio di azione dell'automazione ed eseguire i seguenti passi:

Tabella N°10: per memorizzare un trasmettitore “a distanza”	Esempio
1. Premere per almeno 5s il tasto sul nuovo trasmettitore radio, poi rilasciare.	
2. Premere lentamente per 3 volte il tasto sul trasmettitore radio già memorizzato.	
3. Premere lentamente per 1 volta il tasto sul nuovo trasmettitore radio.	

Ora il nuovo trasmettitore radio verrà riconosciuto dal ricevitore e prenderà le caratteristiche che aveva quello già memorizzato. Se ci sono altri trasmettitori da memorizzare, ripetere tutti i passi per ogni nuovo trasmettitore

4.7.4) Cancellazione dei trasmettitori radio

Tabella N°11: per cancellare tutti i trasmettitori	Esempio
1. Premere e tenere premuto il tastino sul ricevitore	
2. Aspettare che il led si accenda, poi aspettare che si spenga, quindi aspettare che emetta 3 lampeggi	
3. Rilasciare il tasto esattamente durante il 3° lampeggio	
4. Se la procedura è andata a buon fine, dopo qualche istante, il led emetterà 5 lampeggi.	

4.7.5) Dichiarazione di conformità ricevitore radio

Dichiarazione di conformità

N°: 151/SMXI Rev03

Nice S.p.a., Via Pezza Alta 13, 31046 Rustignè di Oderzo (TV) Italia

NICE S.p.a. dichiara che i ricevitori radio modelli SMXI, SMXIS ed i relativi trasmettitori FLO2R-S e SM2 sono conformi ai requisiti essenziali richiesti dalla Direttiva R&TTE 1999/5/CE, per l'uso cui gli apparecchi sono destinati.

Fabbricato in Classe 1, Sub-classe 20

Data: 19 Marzo 2004

Amministratore Delegato
Lauro Buoro

5) Collaudo e messa in servizio

Questa è la fase più importante nella realizzazione dell'automazione al fine di garantire la massima sicurezza. Il collaudo può essere usato anche come verifica periodica dei dispositivi che compongono l'automatismo.

⚠ Il collaudo dell'intero impianto deve essere eseguito da personale esperto e qualificato che deve farsi carico delle prove richieste, in funzione del rischio presente e di verificare il rispetto di quanto previsto da leggi, normative e regolamenti, ed in particolare tutti i requisiti della norma EN12445 che stabilisce i metodi di prova per la verifica degli automatismi per cancelli

5.1) Collaudo

Ogni singolo componente dell'automatismo, ad esempio bordi sensibili, fotocellule, arresto di emergenza, ecc. richiede una specifica fase di collaudo; per questi dispositivi si dovranno eseguire le procedure riportate nei rispettivi manuali istruzioni.

Per il collaudo di ROBUS350 eseguire la seguente sequenza di operazioni:

1. Verificare che sia stato rispettato rigorosamente tutto quanto previsto nel presente manuale ed in particolare nel capitolo "Avvertenze";
2. Sbloccare il motoriduttore come indicato nel paragrafo "Sblocco e movimento manuale" sul capitolo "Istruzioni ed avvertenze destinate all'utilizzatore del motoriduttore ROBUS350"
3. Verificare che sia possibile muovere manualmente l'anta in apertura e in chiusura con una forza non superiore a 390N (circa 40kg)
4. Bloccare il motoriduttore.
5. Utilizzando i dispositivi di comando o arresto previsti (selettore a chiave, pulsanti di comando o trasmettitori radio), effettuare delle

prove di apertura, chiusura ed arresto del cancello e verificare che il comportamento corrisponda a quanto previsto.

6. Verificare uno ad uno il corretto funzionamento di tutti i dispositivi di sicurezza presenti nell'impianto (fotocellule, bordi sensibili, arresto di emergenza, ecc.); e verificare che il comportamento del cancello corrisponda a quanto previsto. Ogni volta che un dispositivo interviene, sulla centrale il led "BlueBUS" deve eseguire 2 lampeggi più veloci a conferma che la centrale riconosce l'evento.
7. Se le situazioni pericolose provocate dal movimento dell'anta sono state salvaguardate mediante la limitazione della forza d'impatto si deve eseguire la misura della forza secondo quanto previsto dalla norma EN 12445. Se la regolazione della "Velocità" ed il controllo della "Forza Motore" vengono usati come ausilio al sistema per la riduzione della forza d'impatto, provare e trovare le regolazioni che offrono i migliori risultati.

5.2) Messa in servizio

La messa in servizio può avvenire solo dopo aver eseguito con esito positivo tutte le fasi di collaudo di ROBUS350 e degli altri dispositivi presenti.

E' vietata la messa in servizio parziale o in situazioni "provvisorie".

1. Realizzare e conservare per almeno 10 anni il fascicolo tecnico dell'automazione che dovrà comprendere almeno: disegno complessivo dell'automazione, schema dei collegamenti elettrici, analisi dei rischi e relative soluzioni adottate, dichiarazione di conformità del fabbricante di tutti i dispositivi utilizzati (per ROBUS350 utilizzare la Dichiarazione CE di conformità allegata); copia del manuale di istruzioni per l'uso e del piano di manutenzione dell'automazione.
2. Apporre sul cancello una targhetta contenente almeno i seguenti dati: tipo di automazione, nome e indirizzo del costruttore (responsabile della "messa in servizio"), numero di matricola, anno di costruzione e marchio "CE".

3. Fissare in maniera permanente in prossimità del cancello un'etichetta o una targa con indicate le operazioni per lo sblocco e la manovra manuale
4. Realizzare e consegnare al proprietario la dichiarazione di conformità dell'automazione.
5. Realizzare e consegnare al proprietario il manuale di "Istruzioni ed avvertenze per l'uso dell'automazione".
6. Realizzare e consegnare al proprietario il piano di manutenzione dell'automazione (che deve raccogliere tutte le prescrizioni sulla manutenzione dei singoli dispositivi).
7. Prima di mettere in servizio l'automatismo informare adeguatamente ed in forma scritta il proprietario (ad esempio sul manuale di istruzioni ed avvertenze per l'uso dell'automazione) sui pericoli ed i rischi ancora presenti.

6) Manutenzione e smaltimento

In questo capitolo sono riportate le informazioni per la realizzazione del piano di manutenzione e lo smaltimento di ROBUS350.

6.1) Manutenzione

Per mantenere costante il livello di sicurezza e per garantire la massima durata dell'intera automazione è necessaria una manutenzione regolare.

⚠ La manutenzione deve essere effettuata nel pieno rispetto delle prescrizioni sulla sicurezza del presente manuale e secondo quanto previsto dalle leggi e normative vigenti.

Per gli altri dispositivi diversi da ROBUS350 seguire quanto previsto nei rispettivi piani manutenzione.

1. Per ROBUS350 è necessaria una manutenzione programmata al massimo entro 6 mesi o 10.000 manovre dalla precedente manutenzione.

2. Scollegare qualsiasi sorgente di alimentazione elettrica, comprese le eventuali batterie tampone
3. Verificare lo stato di deterioramento di tutti i materiali che compongono l'automazione con particolare attenzione a fenomeni di erosione o di ossidazione delle parti strutturali; sostituire le parti che non forniscono sufficienti garanzie.
4. Verificare lo stato di usura delle parti in movimento: pignone, cremagliera e tutte le parti dell'anta, sostituire le parti usurate.
5. Ricollegare le sorgenti di alimentazione elettrica ed eseguire tutte le prove e le verifiche previste nel paragrafo "5.1 Collaudo".

6.2) Smaltimento

ROBUS è costituito da diverse tipologie di materiali, alcuni di questi possono essere riciclati; acciaio, alluminio, plastica, cavi elettrici; altri dovranno essere smaltiti: batterie e schede elettroniche.

⚠ Alcuni componenti elettronici e le batterie potrebbero contenere sostanze inquinanti, non disperderli nell'ambiente. Informatevi sui sistemi di riciclaggio o smaltimento attenendovi alle norme in vigore a livello locale.

1. Scollegare l'alimentazione elettrica dall'automatismo e l'eventuale batteria tampone.
2. Smontare tutti i dispositivi ed accessori, seguendo il procedimento inverso a quello descritto nel capitolo "3 Installazione"
3. Separare per quanto possibile le parti che possono o devono essere riciclate o smaltite in modo diverso, ad esempio le parti metalliche da quelle plastiche, le schede elettroniche, le batterie ecc.
4. Smistare ed affidare i vari materiali così separati ai centri abilitati al recupero ed allo smaltimento previsti a livello locale.

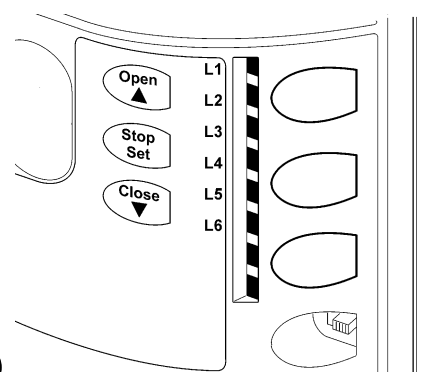
7) Approfondimenti

In questo capitolo verranno trattate le possibilità di programmazione, personalizzazione, diagnostica e ricerca guasti su ROBUS350

7.1) Tasti di programmazione

Sulla centrale di controllo di ROBUS350 sono presenti 3 tasti che possono essere usati sia per il comando della centrale durante le prove sia per le programmazioni:

Open ▲	Il tasto "OPEN" permette di comandare l'apertura del cancello oppure di spostare verso l'alto il punto di programmazione
Stop Set	Il tasto "STOP" permette di fermare la manovra se premuto per più di 5 secondi permette di entrare in programmazione.
Close ▼	Il tasto "CLOSE" permette di comandare la chiusura del cancello oppure di spostare verso il basso il punto di programmazione



7.2) Programmazioni

Sulla centrale di controllo di ROBUS350 sono disponibili alcune funzioni programmabili; la regolazione delle funzioni avviene attraverso 3 tasti presenti sulla centrale: [▲] [Set] [▼] e vengono visualizzate attraverso 6 led: **L1...L6**

Le funzioni programmabili disponibili su ROBUS350 sono disposte su 2 livelli:

Primo livello: funzioni regolabili in modo ON-OFF (attivo oppure non attivo); in questo caso ogni led **L1...L6** indica una funzione, se acceso la funzione è attiva, se spento la funzione non è attiva; vedere tabella N°12.

Secondo livello: parametri regolabili su una scala di valori (valori da 1 a 6); in questo caso ogni led **L1...L6** indica il valore regolato tra i 6 possibili; vedere tabella N°14.

7.2.1) Funzioni primo livello (funzioni ON-OFF)

Tabella N°12: elenco funzioni programmabili: primo livello


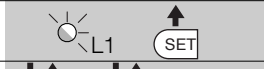



Led	Funzione	Descrizione
L1	Chiusura Automatica	Questa funzione permette una chiusura automatica del cancello dopo il tempo pausa programmato, di fabbrica il Tempo Pausa è posto a 30 secondi ma può essere modificato a 5, 15, 30, 45, 60 e 80 secondi. Se la funzione non è attivata, il funzionamento è "semiautomatico".
L2	Richiudi Dopo Foto	Questa funzione permette di tenere il cancello aperto solo per il tempo necessario al transito, infatti l'intervento di "Foto" provoca sempre una richiusura automatica con un tempo pausa di 5s (indipendentemente dal valore programmato). Il comportamento cambia a seconda che sia attiva o meno la funzione di "Chiusura Automatica". Con "Chiusura Automatica" non attiva: Il cancello raggiunge sempre la posizione di totale apertura (anche se il disimpegno di Foto avviene prima). Al disimpegno di Foto si provoca la richiusura automatica con una pausa di 5s. Con "Chiusura Automatica" attiva: la manovra di apertura si arresta subito dopo il disimpegno delle fotocellule e si provoca la richiusura automatica con una pausa di 5s. La funzione di "Richiudi Dopo Foto" viene sempre disabilitata nelle manovre interrotte con un comando di Stop. Se la funzione "Richiudi Dopo Foto" non è attiva il tempo di pausa sarà quello programmato o non ci sarà richiusura automatica se la funzione non è attiva.
L3	Chiude Sempre	La funzione "Chiude Sempre" interviene, provocando una chiusura, quando al ritorno dell'alimentazione viene rilevato il cancello aperto. Per questioni di sicurezza la manovra viene preceduta da 5s di prelampeggio. Se la funzione non è attiva al ritorno dell'alimentazione il cancello rimarrà fermo.
L4	Stand-By	Questa funzione permette di ridurre al massimo i consumi, è utile in particolare nel funzionamento con batteria tampone. Se questa funzione è attiva, dopo 1 minuto dal termine della manovra, la centrale spegne l'uscita BLUEBUS (e quindi i dispositivi) e tutti i led ad esclusione del led BLUEBUS che lampeggerà più lentamente. Quando arriverà un comando la centrale ripristina il pieno funzionamento. Se la funzione non è attiva non ci sarà riduzione dei consumi.
L5	Spunto	Attivando questa funzione, viene disinserita l'accelerazione graduale ad ogni inizio manovra; permette di avere la massima forza di spunto ed è utile dove ci sono elevati attriti statici, ad esempio in caso di neve o ghiaccio che bloccano l'anta. Se lo spunto non è attivo la manovra inizia con una accelerazione graduale.
L6	Prelampeggio	Con la funzione di prelampeggio viene aggiunta una pausa di 3s tra l'accensione del lampeggiante e l'inizio della manovra per avvertire in anticipo della situazione di pericolo. Se il prelampeggio non è attivo l'accensione del lampeggiante coincide con l'inizio manovra.

Durante il funzionamento normale di ROBUS350 i led **L1...L6** sono accesi o spenti in base allo stato della funzione che rappresentano, ad esempio **L1** è acceso se è attiva la "Chiusura automatica".

7.2.2 Programmazione primo livello (funzioni ON-OFF)

Di fabbrica le funzioni del primo livello sono poste tutte "OFF" ma si possono cambiare in qualsiasi momento come indicato in tabella N°13. Fare attenzione nell'eseguire la procedura perché c'è un tempo massimo di 10s tra la pressione di un tasto e l'altro, altrimenti la procedura finisce automaticamente memorizzando le modifiche fatte fino a quel momento.

Tabella N°13: per cambiare le funzioni ON-OFF

	Esempio
1. Premere e tener premuto il tasto [Set] per circa 3s	
2. Rilasciare il tasto [Set] quando il led L1 inizia a lampeggiare	
3. Premere i tasti [▲] o [▼] per spostare il led lampeggiante sul led che rappresenta la funzione da modificare	
4. Premere il tasto [Set] per cambiare lo stato della funzione (lampeggio breve = OFF; lampeggio lungo = ON)	
5. Attendere 10s per uscire dalla programmazione per fine tempo massimo.	

Nota: i punti 3 e 4 possono essere ripetuti durante la stessa fase di programmazione per porre ON o OFF altre funzioni

7.2.3 Funzioni secondo livello (parametri regolabili)

Tabella N°14: elenco funzioni programmabili: secondo livello

Led di entrata	Parametro	Led (livello)	Valore	Descrizione
L1	Tempo Pausa	L1	5 secondi	Regola il tempo di pausa cioè il tempo prima della richiusura automatica. Ha effetto solo se la chiusura automatica è attiva
		L2	15 secondi	
		L3	30 secondi	
		L4	45 secondi	
		L5	60 secondi	
		L6	80 secondi	
L2	Funzione P.P.	L1	Apri - stop - chiudi - stop	Regola la sequenza di comandi associati all'ingresso P.P. oppure al 1° comando radio (vedere tabelle 4 e 5)
		L2	Apri - stop - chiudi - apri	
		L3	Apri - chiudi - apri - chiudi	
		L4	Condominiale	
		L5	Chiudi	
		L6	Uomo presente	
L3	Velocità Motore	L1	Molto lenta	Regola la velocità del motore durante la corsa normale
		L2	Lenta	
		L3	Media	
		L4	Veloce	
		L5	Molto veloce	
		L6	Velocissima	
L4	Uscita S.C.A.	L1	Funzione S.C.A.	Regola la funzione associata all'uscita S.C.A.
		L2	Accesa se anta chiusa	
		L3	Accesa se anta aperta	
		L4	Attiva con 2° comando radio	
		L5	Attiva con 3° comando radio	
		L6	Attiva con 4° comando radio	
L5	Forza motore	L1	Cancello "molto leggero"	Regola il sistema di controllo della forza del motore per adeguarlo al peso del cancello
		L2	Cancello "leggero"	
		L3	Cancello "medio"	
		L4	Cancello "medio-pesante"	
		L5	Cancello "pesante"	
		L6	Cancello "molto pesante"	
L6	Apri Parziale	L1	0,5 m	Regola la misura dell'apertura parziale. L'apertura parziale si può comandare solo col 2° comando radio (vedere tabelle 4 e 5)
		L2	1 m	
		L3	1,5 m	
		L4	2 m	
		L5	2,5 m	
		L6	3 m	

Nota: "■" rappresenta la regolazione di fabbrica

Tutti i parametri possono essere regolati a piacere senza nessuna controindicazione; solo la regolazione della "Forza motore" potrebbe richiedere una attenzione particolare:

- E' sconsigliato utilizzare valori alti di forza per compensare il fatto che l'anta abbia dei punti di attrito anomali; una forza eccessiva può pregiudicare il funzionamento del sistema di sicurezza o danneggiare l'anta.

- Se il controllo della "forza motore" viene usato come ausilio al sistema per la riduzione della forza di impatto, dopo ogni regolazione ripetere la misura della forza, come previsto dalla norma EN 12445.
- L'usura e le condizioni atmosferiche influiscono sul movimento del cancello, periodicamente e necessario ricontrollare la regolazione della forza.

7.2.4) Programmazione secondo livello (parametri regolabili)


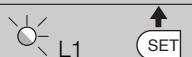




Di fabbrica i parametri regolabili sono posti come evidenziato in tabella n°14 con: " " ma si possono cambiare in qualsiasi momento come indicato in tabella N°15. Fare attenzione nell'eseguire la procedura perché c'è un tempo massimo di 10s tra la pressione di un tasto e l'altro, altrimenti la procedura finisce automaticamente memorizzando le modifiche fatte fino a quel momento.

Tabella N°15: per cambiare i parametri regolabili	Esempio
1. Premere e tener premuto il tasto [Set] per circa 3s	 3s
2. Rilasciare il tasto [Set] quando il led L1 inizia a lampeggiare	
3. Premere i tasti [▲] o [▼] per spostare il led lampeggiante sul "led di entrata" che rappresenta il parametro da modificare	
4. Premere e mantenere premuto il tasto [Set] , il tasto [Set] va mantenuto premuto durante tutti i passi 5 e 6	
5. Attendere circa 3s dopodiché si accenderà il led che rappresenta il livello attuale del parametro da modificare	
6. Premere i tasti [▲] o [▼] per spostare il led che rappresenta il valore del parametro.	
7. Rilasciare il tasto [Set]	
8. Attendere 10s per uscire dalla programmazione per fine tempo massimo.	 10s

Nota: i punti da 3 a 7 possono essere ripetuti durante le stessa fase di programmazione per regolare più parametri

7.2.5) Esempio di programmazione primo livello (funzioni ON-OFF)













Come esempio viene riportata la sequenza di operazioni per cambiare l'impostazione di fabbrica delle funzioni per attivare le funzioni di "Chiusura Automatica" (L1) e "Chiude Sempre" (L3).

Tabella N°16: esempio di programmazione primo livello	Esempio
1. Premere e tener premuto il tasto [Set] per circa 3s	 3s
2. Rilasciare il tasto [Set] quando il led L1 inizia a lampeggiare	
3. Premere una volta il tasto [Set] per cambiare lo stato della funzione associata ad L1 (Chiusura Automatica) ora il led L1 lampeggia con lampeggio lungo	
4. Premere 2 volte il tasto [▼] per spostare il led lampeggiante sul led L3	
5. Premere una volta il tasto [Set] per cambiare lo stato della funzione associata ad L3 (Chiude Sempre) ora il led L3 lampeggia con lampeggio lungo	
6. Attendere 10s per uscire dalla programmazione per fine tempo massimo	 10s

Al termine di queste operazioni i led L1 ed L3 devono rimanere accesi ad indicare che sono attive le funzioni di "Chiusura Automatica" e "Chiude Sempre".

7.2.6) Esempio di programmazione secondo livello (parametri regolabili)

Come esempio viene riportata la sequenza di operazioni per cambiare l'impostazione di fabbrica dei parametri ed aumentare il "Tempo Pausa" a 60s (entrata su L1 e livello su L5) e ridurre la "Forza Motore" per cancelli leggeri (entrata su L5 e livello su L2).

Tabella N°17: esempio di programmazione secondo livello	Esempio
1. Premere e tener premuto il tasto [Set] per circa 3s	
2. Rilasciare il tasto [Set] quando il led L1 inizia a lampeggiare	
3. Premere e mantenere premuto il tasto [Set] ; il tasto [Set] va mantenuto premuto durante tutti i passi 4 e 5	
4. Attendere circa 3s fino a che si accenderà il led L3 che rappresenta il livello attuale del "Tempo Pausa"	
5. Premere 2 volte il tasto [▼] per spostare il led acceso su L5 che rappresenta il nuovo valore del "Tempo Pausa"	
6. Rilasciare il tasto [Set]	
7. Premere 4 volte il tasto [▼] per spostare il led lampeggiante sul led L5	
8. Premere e mantenere premuto il tasto [Set] ; il tasto [Set] va mantenuto premuto durante tutti i passi 9 e 10	
9. Attendere circa 3s fino a che si accenderà il led L5 che rappresenta il livello attuale della "Forza Motore"	
10. Premere 3 volte il tasto [▲] per spostare il led acceso su L2 che rappresenta il nuovo valore della "Forza Motore"	
11. Rilasciare il tasto [Set]	
12. Attendere 10s per uscire dalla programmazione per fine tempo massimo	

7.3) Aggiunta o rimozione dispositivi

Ad una automazione con ROBUS350 è possibile aggiungere o rimuovere dispositivi in qualsiasi momento. In particolare a "BLUEBUS" ed all'ingresso "STOP" possono essere collegati vari tipi di

dispositivi come indicato nei paragrafi "7.3.1 BlueBUS" e "7.3.2 Ingresso STOP".

7.3.1) BlueBUS

BlueBUS è una tecnica che permette di effettuare i collegamenti dei dispositivi compatibili con soli due conduttori sui quali transita sia l'alimentazione elettrica che i segnali di comunicazione. Tutti i dispositivi vengono collegati in parallelo sugli stessi 2 conduttori di BlueBUS e senza necessità di rispettare alcuna polarità; ogni dispositivo viene riconosciuto singolarmente poiché durante l'installazione gli viene assegnato un indirizzo univoco. A BlueBUS si possono collegare ad esempio: fotocellule, dispositivi di sicurezza, pulsanti di comando, spie di segnalazione ecc.

La centrale di controllo di ROBUS350 riconosce uno ad uno tutti i dispositivi collegati attraverso un'opportuna fase di apprendimento ed è in grado di rilevare con estrema sicurezza tutte le possibili anomalie. Per questo motivo ogni volta che viene aggiunto o tolto un dispositivo collegato a BlueBUS occorrerà eseguire nella centrale la fase di apprendimento come descritto nel paragrafo "7.2.4 Apprendimento altri dispositivi".

7.3.2) Ingresso STOP

STOP è l'ingresso che provoca l'arresto immediato della manovra seguito da una breve inversione. A questo ingresso possono essere collegati dispositivi con uscita a contatto normalmente aperto "NA", normalmente chiuso "NC" oppure dispositivi con uscita a resistenza costante 8,2kΩ, ad esempio bordi sensibili.

Come per BlueBUS, la centrale riconosce il tipo di dispositivo collegato all'ingresso STOP durante la fase di apprendimento (vedere paragrafo "7.2.4 Apprendimento altri dispositivi"); successivamente viene provocato uno STOP quando si verifica una qualsiasi variazione rispetto allo stato appreso.

Con opportuni accorgimenti è possibile collegare all'ingresso STOP più di un dispositivo, anche di tipo diverso:

- Più dispositivi NA si possono collegare in parallelo tra di loro senza alcun limite di quantità.
- Più dispositivi NC si possono collegare in serie tra di loro senza alcun limite di quantità.

- Due dispositivi con uscita a resistenza costante 8,2kΩ si possono collegare in parallelo; se vi sono più di 2 dispositivi allora tutti devono essere collegati "in cascata" con una sola resistenza di terminazione da 8,2kΩ
- E' possibile la combinazione di NA ed NC ponendo i 2 contatti in parallelo con l'avvertenza di porre in serie al contatto NC una resistenza da 8,2kΩ (ciò rende possibile anche la combinazione di 3 dispositivi: NA, NC e 8,2kΩ).

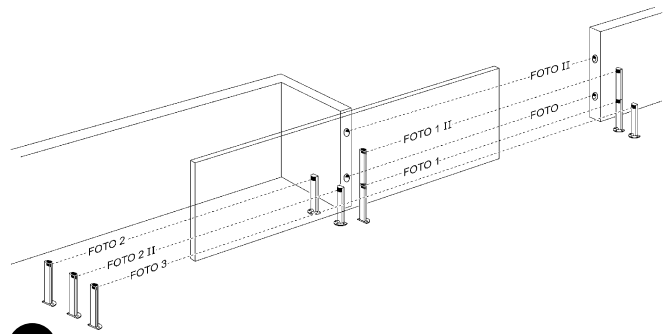
⚠ Se l'ingresso STOP è usato per collegare dispositivi con funzioni di sicurezza solo i dispositivi con uscita a resistenza costante 8,2kΩ garantiscono la categoria 3 di sicurezza ai guasti secondo la norma EN 954-1.

7.3.3) Fotocellule

Il sistema "BlueBUS" consente, tramite l'indirizzamento con gli appositi ponticelli, il riconoscimento delle fotocellule da parte della centrale e di assegnare la corretta funzione di rilevazione.

L'operazione di indirizzamento va fatta sia sul TX che sul RX (ponendo i ponticelli nello stesso modo) verificando che non vi siano altre coppie di fotocellule con lo stesso indirizzo.

In un automatismo per cancelli scorrevoli con ROBUS350 è possibile installare le fotocellule secondo quanto rappresentato in figura 22. Dopo l'installazione o la rimozione di fotocellule occorrerà eseguire nella centrale la fase di apprendimento come descritto nel paragrafo "7.3.4 Apprendimento altri dispositivi".



22

Tabella N°18: indirizzi delle fotocellule

Fotocellula	Ponticelli	Fotocellula	Ponticelli
FOTO Fotocellula esterna h = 50 con intervento in chiusura		FOTO 2 Fotocellula esterna con intervento in apertura	
FOTO II Fotocellula esterna h = 100 con intervento in chiusura		FOTO 2 II Fotocellula interna con intervento in apertura	
FOTO 1 Fotocellula interna h = 50 con intervento in chiusura		FOTO 3 Fotocellula unica che copre tutto l'automatismo	
FOTO 1 II Fotocellula interna h = 100 con intervento in chiusura		<p>⚠ L'installazione di FOTO 3 assieme a FOTO II richiede che la posizione degli elementi che compongono la fotocellula (TX-RX) rispetti l'avvertenza riportata nel manuale di istruzioni delle fotocellule.</p>	

7.3.4) Apprendimento altri dispositivi

Normalmente l'operazione di apprendimento dei dispositivi collegati a BlueBUS ed all'ingresso STOP viene eseguita durante la fase di installazione; tuttavia se vengono aggiunti o rimossi dispositivi è possibile rifare l'apprendimento nel seguente modo:

Tabella N°19: per l'apprendimento di altri dispositivi

	Esempio
1. Premere e tenere premuti i tasti [▲] e [Set]	
2. Rilasciare i tasti quando i led L1 e L2 iniziano a lampeggiare molto velocemente (dopo circa 3s)	
3. Attendere alcuni secondi che la centrale finisca l'apprendimento dei dispositivi	
4. Al termine dell'apprendimento i led L1 e L2 smetteranno di lampeggiare, il led STOP deve rimanere acceso, mentre i led L1...L6 si accenderanno in base allo stato delle funzioni ON-OFF che rappresentano.	

⚠ Dopo aver aggiunto o rimosso dei dispositivi è necessario eseguire nuovamente il collaudo dell'automazione secondo quanto indicato nel paragrafo "5.1 Collaudo".

7.4) Funzioni particolari

7.4.1) Funzione "Apri sempre"

La funzione "Apri sempre" è una proprietà della centrale di controllo che permette di comandare sempre una manovra di apertura quando il comando di "Passo-Passo" ha una durata superiore a 2 secondi; ciò è utile ad esempio per collegare al morsetto P.P. il contatto di un orologio programmatore per mantenere aperto il cancello per una certa fascia oraria.

Questa proprietà è valida qualunque sia la programmazione dell'ingresso di P.P. ad esclusione della programmazione come "Chiude", vedere parametro "Funzione P.P." in tabella 14.

7.4.2) Funzione "Muovi comunque"

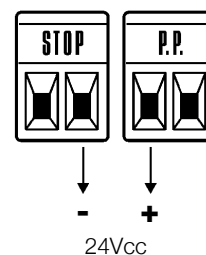
Nel caso in cui qualche dispositivo di sicurezza non dovesse funzionare correttamente o fosse fuori uso, è possibile comunque comandare e muovere il cancello in modalità "Uomo presente".

Per i dettagli vedere il paragrafo "Comando con sicurezze fuori uso" presente nell'allegato "Istruzioni ed avvertenze destinate all'utilizzatore del motoriduttore ROBUS".

7.5) Collegamento altri dispositivi

Se vi fosse l'esigenza di alimentare dispositivi esterni ad esempio un lettore di prossimità per tessere a transponder oppure la luce d'illuminazione del selettore a chiave è possibile prelevare l'alimentazione come indicato in figura 23.

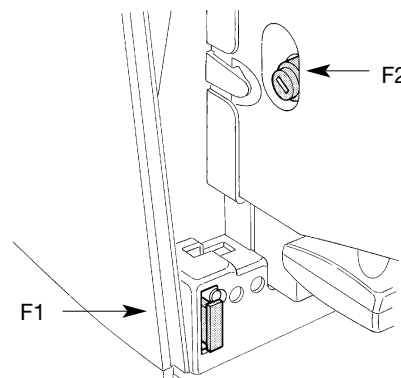
La tensione di alimentazione è 24Vcc -30% ÷ +50% con corrente massima disponibile di 100mA.



23

7.6) Risoluzione dei problemi

Nella tabella N°20 è possibile trovare utili indicazioni per affrontare gli eventuali casi di malfunzionamento in cui è possibile incorrere durante l'installazione o in caso di guasto.



24

Tabella N°20: ricerca guasti

Sintomi	Verifiche consigliate
Il trasmettitore radio non comanda il cancello ed il led sul trasmettitore non si accende.	Verificare se le pile del trasmettitore non siano scariche, eventualmente sostituirle.
Il trasmettitore radio non comanda il cancello ma il led sul trasmettitore si accende.	Verificare se il trasmettitore è correttamente memorizzato nel ricevitore radio.
Non si comanda nessuna manovra ed il led "BLUEBUS" non lampeggia.	Verificare che ROBUS350 sia alimentato con la tensione di rete 230V. Verificare che i fusibili non siano interrotti; in questo caso, verificare la causa del guasto e poi sostituirli con altri dello stesso valore di corrente e caratteristiche.
Non si comanda nessuna manovra ed il lampeggiante è spento.	Verificare che il comando venga effettivamente ricevuto. Se il comando giunge sull'ingresso PP il relativo led "PP" deve accendersi; se invece viene utilizzato il trasmettitore radio, il led "Blubus" deve fare due lampeggi veloci.
Non si comanda nessuna manovra ed il lampeggiante fa alcuni lampeggi.	Contare il numero di lampeggi e verificare secondo quanto riportato in tabella N°21.
La manovra ha inizio ma subito dopo avviene l'inversione	La forza selezionata potrebbe essere troppo bassa per il tipo di cancello. Verificare se ci sono degli ostacoli ed eventualmente selezionare una forza superiore.
La manovra viene eseguita regolarmente ma il lampeggiante non funziona.	Verificare che durante la manovra vi sia tensione sul morsetto FLASH del lampeggiante (essendo intermittente il valore di tensione non è significativo: circa 10-30Vcc); se c'è tensione, il problema è dovuto alla lampada che dovrà essere sostituita con una di uguali caratteristiche; se non c'è tensione, potrebbe essersi verificato un sovraccarico sull'uscita FLASH, verificare che non vi sia corto circuito sul cavo.
La manovra viene eseguita regolarmente ma la spia SCA non funziona.	Verificare il tipo di funzione programmata per l'uscita SCA (Tabella N°14) Quando la spia dovrebbe essere accesa, verificare vi sia tensione sul morsetto SCA (circa 24Vcc); se c'è tensione, il problema è dovuto alla spia che dovrà essere sostituita con una di uguali caratteristiche; se non c'è tensione, potrebbe essersi verificato un sovraccarico sull'uscita SCA. verificare che non vi sia corto circuito sul cavo.

7.7) Diagnostica e segnalazioni

Alcuni dispositivi offrono direttamente delle segnalazioni particolari attraverso le quali è possibile riconoscere lo stato di funzionamento o dell'eventuale malfunzionamento.

7.7.1) Segnalazioni con il lampeggiante

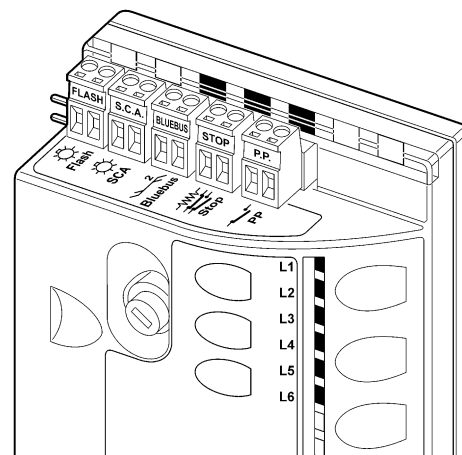
Il segnalatore lampeggiante FLASH durante la manovra esegue un lampeggio ogni secondo; quando accadono delle anomalie, vengono emessi dei lampeggi più brevi; i lampeggi si ripetono due volte, separati da una pausa di un secondo.

Tabella N°21: segnalazioni sul lampeggiante FLASH

Lampeggi veloci	Causa	AZIONE
1 lampeggio pausa di 1 secondo 1 lampeggio	Errore sul BlueBUS	All'inizio della manovra, la verifica dei dispositivi collegati a BLUEBUS non corrisponde a quelli memorizzati durante la fase di apprendimento. E' possibile vi siano dispositivi guasti, verificare e sostituire; se sono state fatte delle modifiche occorre rifare l'apprendimento
2 lampeggi pausa di 1 secondo 2 lampeggi	Intervento di una fotocellula	All'inizio della manovra una o più fotocellule non danno il consenso al movimento, verificare se ci sono ostacoli. Durante il movimento è normale se effettivamente è presente un ostacolo.
3 lampeggi pausa di 1 secondo 3 lampeggi	Intervento del limitatore della "Forza Motore"	Durante il movimento il cancello ha incontrato un maggiore attrito; verificare la causa
4 lampeggi pausa di 1 secondo 4 lampeggi	Intervento dell'ingresso di STOP	All'inizio della manovra o durante il movimento c'è stato un intervento dell'ingresso di STOP; verificare la causa
5 lampeggi pausa di 1 secondo 5 lampeggi	Errore nei parametri interni della centrale elettronica	Attendere almeno 30 secondi e riprovare a dare un comando; se lo stato rimane potrebbe esserci un guasto grave ed occorre sostituire la scheda elettronica
6 lampeggi pausa di 1 secondo 6 lampeggi	Superato il limite massimo di manovre per ora.	Attendere alcuni minuti che il limitatore di manovre ritorni sotto il limite massimo
7 lampeggi pausa di 1 secondo 7 lampeggi	Errore nei circuiti elettrici interni	Scollegare tutti i circuiti di alimentazione per qualche secondo poi riprovare a dare un comando; se lo stato rimane potrebbe esserci un guasto grave ed occorre sostituire la scheda elettronica

7.7.2) Segnalazioni sulla centrale

Nella centrale di ROB350 ci sono una serie di LED ognuno dei quali può dare delle segnalazioni particolari, sia nel funzionamento normale che in caso di anomalia.



25

Tabella N°22: led sui morsetti della centrale

Led BLUEBUS	Causa	AZIONE
Spento	Anomalia	Verificare se c'è alimentazione; verificare che i fusibili non siano intervenuti; nel caso, verificare la causa del guasto e poi sostituirli con altri dello stesso valore
Acceso	Anomalia grave	C'è una anomalia grave; provare a spegnere per qualche secondo la centrale; se lo stato permane c'è un guasto e occorre sostituire la scheda elettronica
Un lampeggio al secondo	Tutto OK	Funzionamento normale della centrale
2 lampeggi veloci	E' avvenuta una variazione dello stato degli ingressi	E' normale quando avviene un cambiamento di uno degli ingressi: P.P., STOP, intervento delle fotocellule o viene utilizzato il trasmettitore radio
Serie di lampeggi separati da una pausa di un secondo	Varie	E' la stessa segnalazione che c'è sul lampeggiante Vedere Tabella N°21
Led STOP	Causa	AZIONE
Spento	Intervento dell'ingresso di STOP	Verificare i dispositivi collegati all'ingresso di STOP
Acceso	Tutto OK	Ingresso STOP attivo
Led P.P.	Causa	AZIONE
Spento	Tutto OK	Ingresso PP non attivo
Acceso	Intervento dell'ingresso di PP	E' normale se è effettivamente attivo il dispositivo collegato all'ingresso PP

Tabella N°23: led sui tasti della centrale

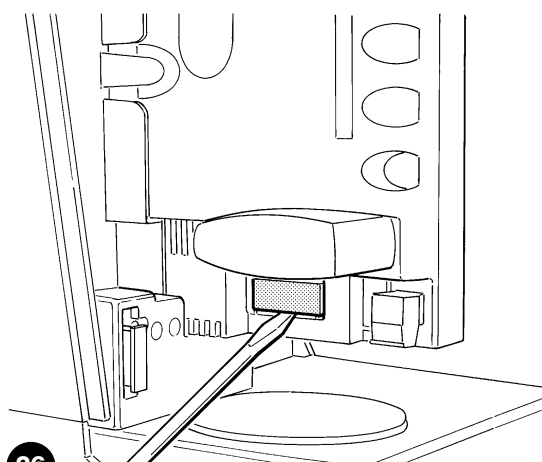
Led 1	Descrizione
Spento	Durante il funzionamento normale indica "Chiusura automatica" non attiva
Acceso	Durante il funzionamento normale indica "Chiusura automatica" attiva
Lampeggia	<ul style="list-style-type: none"> • Programmazione delle funzioni in corso • lampeggia assieme ad L2 indica che è necessario eseguire la fase di apprendimento dei dispositivi (vedere paragrafo "4.3 Apprendimento dei dispositivi").
Led L2	Descrizione
Spento	Durante il funzionamento normale indica "Richiudi Dopo Foto" non attivo.
Acceso	Durante il funzionamento normale indica "Richiudi Dopo Foto" attivo.
Lampeggia	<ul style="list-style-type: none"> • Programmazione delle funzioni in corso • Se lampeggia assieme ad L1 indica che è necessario eseguire la fase di apprendimento dei dispositivi (vedere paragrafo "4.3 Apprendimento dei dispositivi").
Led L3	Descrizione
Spento	Durante il funzionamento normale indica "Chiude Sempre" non attivo.
Acceso	Durante il funzionamento normale indica "Chiude Sempre" attivo.
Lampeggia	<ul style="list-style-type: none"> • Programmazione delle funzioni in corso • Se lampeggia assieme ad L4 indica che è necessario eseguire la fase di apprendimento della lunghezza dell'anta (vedere paragrafo "4.4 Apprendimento lunghezza dell' anta").
Led L4	Descrizione
Spento	Durante il funzionamento normale indica "Stand-By" non attivo.
Acceso	Durante il funzionamento normale indica "Stand-By" attivo.
Lampeggia	<ul style="list-style-type: none"> • Programmazione delle funzioni in corso • Se lampeggia assieme ad L3 indica che è necessario eseguire la fase di apprendimento della lunghezza dell' anta (vedere paragrafo "4.4 Apprendimento lunghezza dell' anta").
Led L5	Descrizione
Spento	Durante il funzionamento normale indica "Spunto" non attivo.
Acceso	Durante il funzionamento normale indica "Spunto" attivo.
Lampeggia	Programmazione delle funzioni in corso
Led L6	Descrizione
Spento	Durante il funzionamento normale indica "Prelampeggio" non attivo.
Acceso	Durante il funzionamento normale indica "Prelampeggio" attivo.
Lampeggia	Programmazione delle funzioni in corso

7.8) Accessori

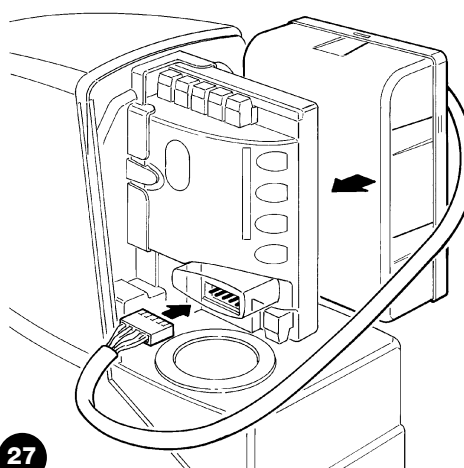
Per ROBUS350 sono previsti i seguenti accessori opzionali:

- PS124 Batteria tampone 24V - 1,2Ah con caricabatteria integrato.

Consultare il catalogo prodotti di Nice S.p.a. per l'elenco completo ed aggiornato degli accessori.



26



27

8) Caratteristiche tecniche

Con lo scopo di migliorare i propri prodotti, Nice S.p.a si riserva il diritto modifiche le caratteristiche tecniche in qualsiasi momento e senza preavviso pur mantenendo funzionalità e destinazione d'uso.

Tutte le caratteristiche tecniche riportate si riferiscono alla temperatura ambientale di 20°C (±5°C).

Caratteristiche tecniche: ROBUS350	
Tipologia	Motoriduttore elettromeccanico per il movimento automatico di cancelli scorrevoli per uso residenziale completo di centrale elettronica di controllo
Pignone	Z: 15; Modulo: 4; Passo: 12,6mm; Diametro primitivo: 60mm
Coppia massima allo spunto	10Nm; corrispondente alla capacità di mettere in movimento un'anta con attrito statico fino a 333N
Coppia nominale	6Nm; corrispondente alla capacità mantenere in movimento un'anta con attrito dinamico fino a 200N
Velocità alla coppia nominale	0,18m/s
Velocità a vuoto (la centrale consente di programmare 6 velocità pari a circa: 100, 85, 70, 55, 45, 30%)	0,34m/s
Frequenza massima cicli di funzionamento	50 cicli /giorno (la centrale limita i cicli al massimo previsto nelle tabelle N°1 e N°2)
Tempo massimo funzionamento continuo	10 minuti (la centrale limita il funzionamento continuo al massimo previsto nelle tabelle N°1 e N°2)
Limiti d'impiego	Generalmente ROBUS350 è in grado di automatizzare cancelli con peso fino a 350Kg oppure lunghezza fino a 7m e secondo i limiti previsti nelle tabelle N°1 e N°2.
Alimentazione ROBUS350	230Vac (+10% +15%) 50/60Hz.
Alimentazione ROBUS350/V1	120Vac (+10% +15%) 50/60Hz.
Potenza massima assorbita	250VA
Classe di isolamento	1 (è necessaria la messa a terra di sicurezza)
Alimentazione di emergenza	Con accessorio opzionale PS124
Uscita lampeggiante	Per 1 lampeggiante LUCYB (lampada 12V, 21W)
Uscita BLUEBUS	Una uscita con carico massimo di 15 unità BlueBus
Ingresso STOP	Per contatti normalmente chiusi, normalmente aperti oppure a resistenza costante 8,2K Ω ; in autoapprendimento (una variazione rispetto allo stato memorizzato provoca il comando "STOP")
Ingresso PP	Per contatti normalmente aperti (la chiusura del contatto provoca il comando P.P.)
Ingresso ANTENNA Radio	52 Ω per cavo tipo RG58 o simili
Funzioni programmabili	6 funzioni di tipo ON-OFF e 6 funzioni regolabili (vedere tabelle N° 12 e N° 14)
Funzioni in autoapprendimento	Autoapprendimento dei dispositivi collegati all'uscita BlueBUS Autoapprendimento del tipo di dispositivo di "STOP" (contatto NA, NC o resistenza 8,2k Ω) Autoapprendimento della lunghezza del cancello e calcolo dei punti di rallentamento ed apertura parziale
Temperatura di funzionamento	-20°C ÷ 50°C
Utilizzo in atmosfera particolarmente acida o salina o potenzialmente esplosiva	No
Grado di protezione	IP 44
Dimensioni e peso	330 x 195 h 277; 8Kg

Caratteristiche tecniche	ricevitore radio: SMXI	ricevitore radio: SMXIS
Tipologia	Ricevitore a 4 canali per radiocomando	
Frequenza	433.92MHz	
Codifica	Digitale Rolling code a 52 Bit, tipo FLOR	Digitale Rolling code a 64 Bit, tipo SMILO
Compatibilità trasmettitori	FLOR, VERY VR; solo gruppo singolo: ERGO, PLANO, PLANOTIME	SMILO
Trasmettitori memorizzabili	Fino a 256 se memorizzati in Modo I	
Impedenza di ingresso	52 Ω	
Sensibilità	migliore di 0.5 μ V	
Portata dei trasmettitori	Da 100 a 150m, questa distanza può variare in presenza di ostacoli e disturbi elettromagnetici eventualmente presenti ed è influenzata dalla posizione dell'antenna ricevente	
Uscite	4 (su connettore SM)	
Temperatura di funzionamento	-10°C ÷ 55°C	

Caratteristiche tecniche	trasmettitore: FLO2R-S	trasmettitore: SM2
Tipologia	Trasmettitore 2 canali per radiocomando	
Frequenza	433.92MHz	
Codifica	Digitale Rolling code a 52 Bit, tipo FLOR	Digitale Rolling code a 64 Bit, tipo SMILO
Tasti	2	
Alimentazione	12Vdc con batteria tipo 23A	
Assorbimento	25mA	
Durata della batteria	1 anno, stimata su una base di 20 comandi/giorno della durata di 1s a 20°C (alle basse temperature l'efficienza della batteria diminuisce)	
Potenza irradiata	100 μ W	
Dimensioni e peso	72 x 40 h 18mm / 30g	Diametro 48 h14mm / 19g
Grado di protezione	IP 40 (utilizzo in casa o ambienti protetti)	
Temperatura di funzionamento	-40°C ÷ 85°C	

Complimenti per aver scelto per la vostra automazione un prodotto Nice! Nice S.p.a. produce componenti per l'automazione di cancelli, porte, serrande, tapparelle e tende da sole: motoriduttori, centrali di comando, radiocomandi, lampeggianti, fotocellule e accessori. Nice utilizza solo materiali e lavorazioni di qualità, e per vocazione ricerca soluzioni innovative che semplifichino al massimo l'utilizzo delle sue apparecchiature, curate nelle soluzioni tecniche, estetiche, ergonomiche: nella grande gamma Nice il vostro installatore avrà senz'altro scelto il prodotto più adatto alle vostre esigenze. Nice non è però il produttore della vostra automazione, che è invece il risultato di un'opera di analisi, valutazione, scelta dei materiali, e realizzazione dell'impianto eseguita dal vostro installatore di fiducia. Ogni automazione è unica e solo il vostro installatore possiede l'esperienza e la professionalità necessarie ad eseguire un impianto secondo le vostre esigenze, sicuro ed affidabile nel tempo, e soprattutto a regola d'arte, rispondente cioè alle normative in vigore. Un impianto di automazione è una bella comodità, oltre che un valido sistema di sicurezza e, con poche, semplici attenzioni, è destinato a durare negli anni. Anche se l'automazione in vostro possesso soddisfa il livello di sicurezza richiesto dalle normative, questo non esclude l'esistenza di un "rischio residuo", cioè la possibilità che si possano generare situazioni di pericolo, solitamente dovute ad un utilizzo incosciente o addirittura errato, per questo motivo desideriamo darvi alcuni consigli sui comportamenti da seguire per evitare ogni inconveniente:

• **Prima di usare per la prima volta l'automazione**, fatevi spiegare dall'installatore l'origine dei rischi residui, e dedicate qualche minuto alla lettura del manuale di **istruzioni ed avvertenze per l'utilizzatore** consegnatovi dall'installatore. Conservate il manuale per ogni dubbio futuro e consegnatelo ad un eventuale nuovo proprietario dell'automazione.

• **La vostra automazione è un macchinario che esegue fedelmente i vostri comandi**; un uso incosciente ed improprio può farlo diventare pericoloso: non comandate il movimento dell'automazione se nel suo raggio di azione si trovano persone, animali o cose.

• **Bambini**: un impianto di automazione garantisce un alto grado di sicurezza, impedendo con i suoi sistemi di rilevazione il movimento in presenza di persone o cose, e garantendo un'attivazione sempre prevedibile e sicura. È comunque prudente vietare ai bambini di giocare in prossimità dell'automazione e per evitare attivazioni involontarie non lasciare i telecomandi alla loro portata: **non è un gioco!**

• **Anomalie**: Non appena notate qualunque comportamento anomalo da parte dell'automazione, togliete alimentazione elettrica all'impianto ed eseguite lo sblocco manuale. Non tentate da soli alcuna ripara-

zione, ma richiedete l'intervento del vostro installatore di fiducia: nel frattempo l'impianto può funzionare come un'apertura non automatizzata, una volta sbloccato il motoriduttore come descritto più avanti.

• **Manutenzione**: Come ogni macchinario la vostra automazione ha bisogno di una manutenzione periodica affinché possa funzionare più a lungo possibile ed in completa sicurezza. Concordate con il vostro installatore un piano di manutenzione con frequenza periodica; Nice consiglia un intervento ogni 6 mesi per un normale utilizzo domestico, ma questo periodo può variare in funzione dell'intensità d'uso. Qualunque intervento di controllo, manutenzione o riparazione deve essere eseguito solo da personale qualificato.

• Anche se ritenete di saperlo fare, non modificate l'impianto ed i parametri di programmazione e di regolazione dell'automazione: la responsabilità è del vostro installatore.

• Il collaudo, le manutenzioni periodiche e le eventuali riparazioni devono essere documentate da chi le esegue e i documenti conservati dal proprietario dell'impianto.

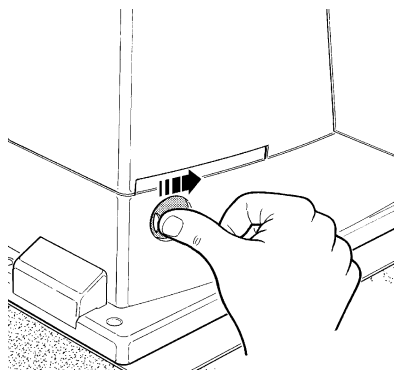
Gli unici interventi che vi sono possibili e vi consigliamo di effettuare periodicamente sono la pulizia dei vetri delle fotocellule e la rimozione di eventuali foglie o sassi che potrebbero ostacolare l'automatismo. Per impedire che qualcuno possa azionare il cancello, prima di procedere, ricordatevi di **sbloccare l'automatismo** (come descritto più avanti) e di utilizzare per la pulizia solamente un panno leggermente inumidito con acqua.

• **Smaltimento**: Al termine della vita dell'automazione, assicuratevi che lo smantellamento sia eseguito da personale qualificato e che i materiali vengano riciclati o smaltiti secondo le norme valide a livello locale.

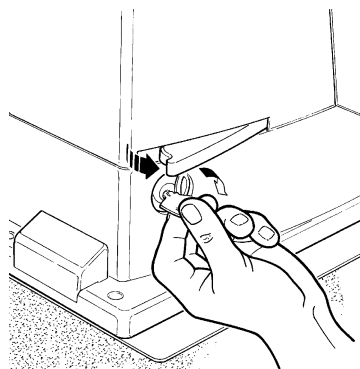
• **In caso di rotture o assenza di alimentazione**: Attendendo l'intervento del vostro installatore, o il ritorno dell'energia elettrica se l'impianto non è dotato di batterie tampone, l'automazione può essere azionata come una qualunque apertura non automatizzata. Per fare ciò è necessario eseguire lo sblocco manuale (unico intervento consentito all'utente sull'automazione): tale operazione è stata particolarmente studiata da Nice per assicurarvi sempre la massima facilità di utilizzo, senza uso di attrezzi particolari o necessità di sforzo fisico.

Sblocco e movimento manuale: prima di eseguire questa operazione porre **attenzione** che lo sblocco può avvenire solo quando l'anta è ferma.

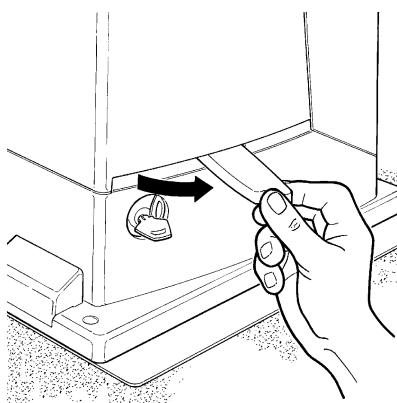
1 Far scorrere il dischetto copri serratura.



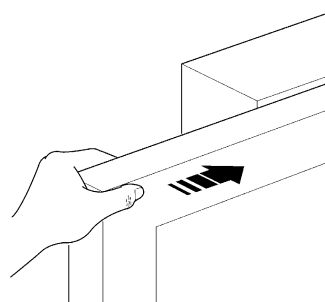
2 Inserire e ruotare la chiave in senso orario



3 Tirare la maniglia di sblocco



4 Muovere manualmente l'anta



Per bloccare: eseguire, al contrario le stesse operazioni

Comando con sicurezze fuori uso: nel caso i dispositivi di sicurezza presenti nel cancello non dovessero funzionare correttamente è possibile comunque comandare il cancello.

- Azionare il comando del cancello (col telecomando, col selettore a chiave, ecc.); se tutto è a posto il cancello si aprirà o chiuderà normalmente, altrimenti il lampeggiante farà alcuni lampeggi e la manovra non partirà (il numero di lampeggi dipende dal motivo per cui la manovra non può partire).
- In questo caso, entro tre secondi si deve **azionare** nuovamente e **tenere azionato** il comando.
- Dopo circa 2s inizierà il movimento del cancello in modalità a "uomo presente", cioè finché si mantiene il comando, il cancello continuerà a muoversi; appena il comando viene rilasciato, il cancello si ferma.

⚠ Con le sicurezze fuori uso è necessario far riparare quanto prima l'automatismo.

Sostituzione pila del telecomando: se il vostro radiocomando dopo qualche tempo vi sembra funzionare peggio, oppure non funzionare affatto, potrebbe semplicemente dipendere dall'esaurimento della pila (a seconda dell'uso, possono trascorrere da diversi mesi fino ad oltre un anno). Ve ne potete accorgere dal fatto che la spia di conferma della trasmissione non si accende, è fioca, oppure si accende solo per un breve istante. Prima di rivolgervi all'installatore provate a scambiare la pila con quella di un altro trasmettitore eventualmente funzionante: se questa fosse la causa dell'anomalia, sarà sufficiente sostituire la pila con altra dello stesso tipo.

Le pile contengono sostanze inquinanti: non gettarle nei rifiuti comuni ma utilizzare i metodi previsti dai regolamenti locali.

Siete soddisfatti? Nel caso voleste aggiungere nella vostra casa un nuovo impianto di automazione, rivolgendovi allo stesso installatore e a Nice vi garantirete, oltre che la consulenza di uno specialista e i prodotti più evoluti del mercato, il migliore funzionamento e la massima compatibilità delle automazioni.

Vi ringraziamo per aver letto queste raccomandazioni, e vi auguriamo la massima soddisfazione dal vostro nuovo impianto: per ogni esigenza presente o futura rivolgetevi con fiducia al vostro installatore.

Robus350

Table des matières:		page
1	Avertissements	47
2	Description du produit et type d'utilisation	47
2.1	Limites d'utilisation	47
2.2	Installation typique	48
2.3	Liste des câbles	48
3	Installation	48
3.1	Contrôles préliminaires	49
3.2	Fixation de l'opérateur	49
3.3	Installation des divers dispositifs	50
3.4	Connexions électriques	50
3.5	Description des connexions électriques	51
4	Contrôles finaux et mise en service	51
4.1	Sélection de la direction	51
4.2	Branchement au secteur	52
4.3	Reconnaissance des dispositifs	52
4.4	Vérification du mouvement du portail	52
4.5	Vérification du mouvement du portail	52
4.6	Fonctions préprogrammées	52
4.7	Mémorisation des émetteurs radio	53
4.7.1	Mémorisation en Mode I	53
4.7.2	Mémorisation en Mode II	53
4.7.3	Mémorisation "à distance"	45
4.7.4	Effacement des émetteurs radio	54
4.7.5	Déclaration de conformité récepteur radio	54
5	Essai et mise en service	55
5.1	Essai	55
5.2	Mise en service	55
6	Maintenance et mise au rebut	55
6.1	Maintenance	55
6.2	Mise au rebut	55
7	Approfondissements	56
7.1	Touches de programmation	56
7.2	Programmation	56
7.2.1	Fonctions premier niveau (fonctions ON-OFF)	56
7.2.2	Programmation du premier niveau (fonctions ON-OFF)	57
7.2.3	Fonctions deuxième niveau (paramètres réglables)	57
7.2.4	Programmation deuxième niveau (paramètres réglables)	58
7.2.5	Exemple de programmation premier niveau (fonctions ON-OFF)	58
7.2.6	Exemple de programmation deuxième niveau (paramètres réglables)	59
7.3	Ajout ou enlèvement de dispositifs	59
7.3.1	BlueBUS	59
7.3.2	Entrée STOP	59
7.3.3	Photocellules	60
7.3.4	Reconnaissance d'autres dispositifs	60
7.4	Fonctions particulières	60
7.4.1	Fonction "Ouvre toujours"	60
7.4.2	Fonction "Manœuvre dans tous les cas"	60
7.5	Connexion d'autres dispositifs	61
7.6	Résolution des problèmes	61
7.7	Diagnostic signalisations	61
7.7.1	Signalisations avec le clignotant	62
7.7.2	Signalisations sur la logique de commande	62
7.8	Accessoires	63
8	Caractéristiques techniques	64
	Instructions et recommandations destinées à l'utilisateur de l'opérateur ROBUS	65

1) Avertissements

Ce manuel d'instructions contient des informations importantes concernant la sécurité pour l'installation, il faut lire toutes les instructions avant de procéder à l'installation. Conserver avec soin ce manuel également pour des consultations futures.

Compte tenu des dangers qui peuvent se vérifier durant l'installation et l'utilisation de ROBUS350, pour le maximum de sécurité il faut que l'installation soit faite dans le plein respect des lois, normes et règlements. Dans ce chapitre, nous donnons des recommandations d'ordre général; d'autres recommandations importantes se trouvent dans les chapitres "3.1 Contrôles préliminaires"; "Essai et mise en service".

⚠ d'après la législation européenne la plus récente, la réalisation d'une porte ou d'un portail automatique possède les caractéristiques prévues par la Directive 98/37/CE (Directive Machines) et en particulier par les normes EN 12445, EN 12453 et EN 12635 qui permettent de déclarer la présomption de conformité.

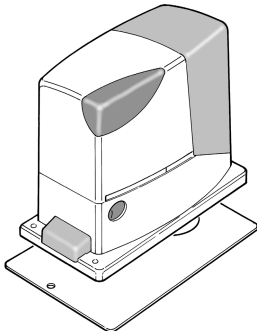
D'autres informations et les conseils pour l'analyse des risques et la réalisation du dossier technique sont disponibles sur le site: "www.niceforyou.com".

- Le présent manuel est destiné uniquement au personnel technique qualifié pour l'installation. À part l'encart spécifique "Instructions et recommandations destinées à l'utilisateur de l'opérateur ROBUS" qui sera détaché par l'installateur, aucune autre information contenue dans la présente notice ne peut être considérée comme intéressante pour l'utilisateur final!
- Une utilisation de ROBUS350 différente de ce qui est prévu dans cette notice est interdite; des utilisations impropres peuvent être source de dangers ou de dommages aux personnes et aux choses.

- Avant de commencer l'installation, il faut effectuer l'analyse des risques comprenant la liste des conditions de sécurité requises par l'annexe I de la Directive Machines, en indiquant les solutions adoptées. Nous rappelons que l'analyse des risques est l'un des documents qui constituent le "dossier technique" de l'automatisation.
- Vérifier la nécessité d'autres dispositifs pour compléter l'automatisation avec ROBUS350 suivant les conditions spécifiques de l'application et les risques présents; il faut considérer par exemple les risques d'impact, écrasement, cisaillement, coincement, etc., et d'autres dangers en général.
- Ne pas effectuer de modifications sur aucune des parties si elles ne sont pas prévues dans le présent manuel. Des opérations de ce type entraîneront obligatoirement des problèmes de fonctionnement. NICE décline toute responsabilité pour les dommages dérivant de produits modifiés.
- Pendant l'installation et l'utilisation, éviter que des parties solides ou liquides puissent pénétrer à l'intérieur de la logique de commande ou d'autres composants ouverts; s'adresser éventuellement au service d'assistance NICE; l'utilisation de ROBUS350 dans de telles circonstances peut créer des situations de danger.
- L'automatisme ne peut pas être utilisé avant d'avoir effectué la mise en service comme l'explique le chapitre: "5 Essai et mise en service".
- L'emballage de ROBUS350 doit être mis au rebut dans le plein respect de la réglementation locale.
- Dans le cas de panne qui ne peut pas être résolue avec les informations données dans ce manuel, contacter le service après-vente NICE.
- Si l'intervention de disjoncteurs ou de fusibles se vérifie, avant de les réarmer, il faut identifier et éliminer la panne.
- Avant d'accéder aux bornes situées sous le carter de ROBUS350, déconnecter tous les circuits d'alimentation; si le dispositif de déconnexion n'est pas visible, accrocher un panneau: "ATTENTION MAINTENANCE EN COURS".

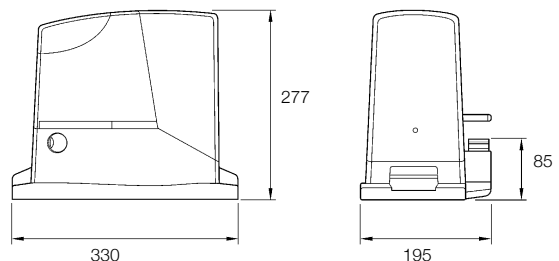
2) Description du produit et type d'utilisation

ROBUS350 est un opérateur électromécanique pour la manœuvre automatique de portails coulissants pour usage résidentiel, il dispose d'une logique électronique de commande et d'un récepteur pour radiocommande. Les connexions électriques vers les dispositifs extérieurs sont simplifiées grâce à la technique "BlueBUS" qui permet de connecter plusieurs dispositifs avec seulement 2 fils.



1

ROBUS350 fonctionne à l'énergie électrique, en cas de coupure du courant, il est possible de débrayer l'opérateur avec une clé spéciale et de manœuvrer le portail à la main. En alternative, on peut utiliser l'accessoire en option: batterie tampon PS124 qui permet quelques manœuvres même en l'absence du courant de secteur.



2.1) Limites d'utilisation

Les données relatives aux performances de ROBUS350 figurent dans le chapitre "8 Caractéristiques techniques" et sont les seules valeurs qui permettent d'évaluer correctement si l'opérateur est adapté à l'application.

Généralement ROBUS350 est en mesure d'automatiser des portails pesant jusqu'à 350 kg ou mesurant jusqu'à 15 m suivant les indications des tableaux n°1 et n°2.

La longueur du portail permet de calculer le nombre maximum de cycles à l'heure et de cycles consécutifs tandis que le poids permet de calculer le pourcentage de réduction des cycles et la vitesse maximum admissible; par exemple, si le portail mesure 5 m de long, on peut avoir 10 cycles/heure et 6 cycles consécutifs mais si le portail pèse 240 kg, il faut les réduire à 80%, soit 8 cycles/heure et environ 5 cycles consécutifs tandis que la vitesse maximum admissible est V5: très rapide. Pour éviter les surchauffes, la logique de com-

mande prévoit un limiteur qui se base sur l'effort du moteur et la durée des cycles en intervenant quand la limite maximum est dépassée.

Tableau N°1: limites suivant la longueur du portail

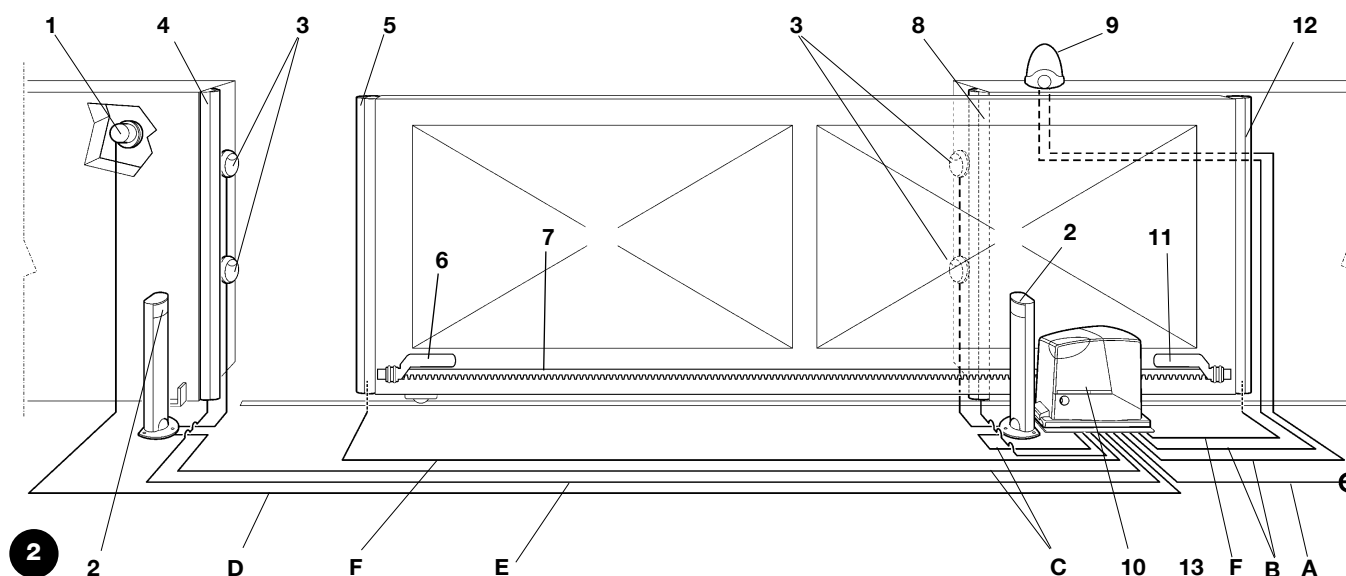
Longueur du portail en mètres	cycles/heure maximums	cycles consécutifs maximums
Jusqu'à 4	30	20
3÷5	18	12
5÷6	15	10
6÷7	12	8

Tableau N°2: limites suivant le poids du portail

Poids portail en kg	Pourcentage cycles	Vitesse maximum admissible
Jusqu'à 200	100%	V6 = Super rapide
200÷250	90%	V5 = Très rapide
250÷300	80%	V4 = Rapide
300÷350	70%	V3 = Moyen

2.2) Installation typique

La figure 1 présente l'installation typique pour l'automatisation d'un portail de type coulissant utilisant ROBUS350.



- | | |
|-----------------------------------|--------------------------------------|
| 1 Sélecteur à clé | 8 Bord secondaire fixe (option) |
| 2 Photocellules sur colonne | 9 Clignotant avec antenne incorporée |
| 3 Photocellule | 10 ROBUS350 |
| 4 Bord primaire fixe (option) | 11 Patte de fin de course "Fermé" |
| 5 Bord primaire mobile | 12 Bord secondaire mobile (option) |
| 6 Patte de fin de course "Ouvert" | 13 Émetteur radio |
| 7 Crémaillère | |

2.3) Liste des câbles

Dans l'installation typique de la figure 1 sont indiqués aussi les câbles nécessaires pour les connexions des différents dispositifs; le tableau n°3 indique les caractéristiques des câbles.

⚠ les câbles utilisés doivent être adaptés au type d'installation; par exemple, on conseille un câble type H03VV-F pour la pose à l'intérieur ou H07RN-F pour la pose à l'extérieur.

Tableau N°3: liste des câbles

Connexion	Type de câble	Longueur maximum admise
A: Ligne électrique d'alimentation	N°1 câble 3x1,5 mm ²	30m (note 1)
B: Clignotant avec antenne	N°1 câble 2x0,5 mm ²	20m
	N°1 câble blindé type RG58	20m (longueur conseillée: moins de 5 m)
C: Photocellules	N°1 câble 2x0,5 mm ²	30 m (note 2)
D: Sélecteur à clé	N°2 câbles 2x0,5 mm ² (note 3)	50m
E: Barres palpeuses fixes	N°1 câble 2x0,5 mm ² (note 4)	30m
F: Barres palpeuses mobiles	N°1 câble 2 x 0,5 mm ² (note 4)	30m (note 5)

Note 1: si le câble d'alimentation dépasse 30 m, il faut prévoir un câble avec une section plus grande, par exemple 3 x 2,5mm² et une mise à la terre est nécessaire à proximité de l'automatisme.

Note 2: si le câble "BlueBUS" dépasse 30 m, jusqu'à n maximum de 50m, il faut prévoir un câble 2 x 1mm².

Note 3: les deux câbles 2 x 0,5mm² peuvent être remplacés par un seul câble 4 x 0,5mm².

Note 4: S'il y a plus d'un barre palpeuse, voir le chapitre "7.3.2 Entrée STOP" pour le type de connexion conseillée.

Note 5: pour la connexion des barres palpeuses mobiles sur les parties coulissantes, il faut utiliser des dispositifs ad hoc qui permettent la connexion même quand le portail est en mouvement.

3) Installation

⚠ L'installation de ROBUS350 doit être effectuée par du personnel qualifié, dans le respect des lois, des normes et des règlements ainsi que de toutes les instructions de ce manuel.

3.1) Contrôles préliminaires

Avant de continuer l'installation de ROBUS350 il faut effectuer les contrôles suivants:

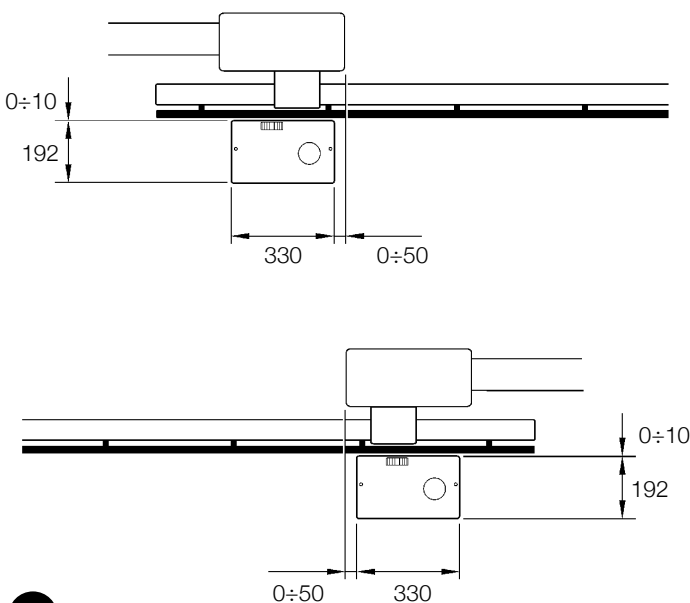
- Vérifier que tout le matériel à utiliser est en excellent état, adapté à l'usage et conforme aux normes.
- Vérifier que la structure du portail est adaptée pour être équipée d'un automatisme.
- Vérifier que le poids et les dimensions du portail rentrent dans les limites d'utilisation indiquées au chapitre "2.1 Limites d'utilisation".
- Vérifier, en comparant avec les valeurs figurant dans le chapitre "8 Caractéristiques techniques", que la friction statique (c'est-à-dire la force nécessaire pour mettre le portail en mouvement) est inférieure à la moitié du "Couple maximum" et que la friction dynamique (c'est-à-dire la force nécessaire pour maintenir le portail en mouvement) est inférieure à la moitié du "Couple nominal"; on conseille une marge de 50% sur les forces car les conditions climatiques adverses peuvent faire augmenter les frictions.
- Vérifier que dans la course du portail, aussi bien en fermeture qu'en ouverture, il n'y a pas de points présentant une plus grande friction.
- Vérifier que le portail ne risque pas de dérailler et de sortir des rails de guidage.
- Vérifier la robustesse des butées mécaniques de limitation de la course en contrôlant qu'il n'y a pas de déformations même en cas de heurt violent du portail sur la butée.
- Vérifier que le portail est bien équilibré, c'est-à-dire qu'il ne doit pas bouger s'il est laissé arrêté dans une position quelconque.
- Vérifier que la zone de fixation de l'opérateur n'est pas sujette à inondation; éventuellement, monter l'opérateur suffisamment soulevé par rapport au sol.

- Vérifier que la zone de fixation de l'opérateur permet la manœuvre de débrayage de manière facile et sûre.
- Vérifier que les points de fixation des différents dispositifs se trouvent dans des endroits à l'abri des chocs et que les surfaces sont suffisamment solides.
- Éviter que les parties de l'automatisme puissent être immergées dans l'eau ou dans d'autres substances liquides.
- Ne pas placer ROBUS350 à proximité de flammes ou de sources de chaleur, dans des atmosphères potentiellement explosives, particulièrement acides ou salines; cela pourrait endommager ROBUS350 et causer des problèmes de fonctionnement, provoquer un incendie ou des situations de danger.
- Si le portail coulissant est muni d'un portillon pour le passage de piétons incorporé ou dans la zone de manœuvre du portail, il faut s'assurer que ce portillon ne gêne pas la course normale et prévoir éventuellement un système d'interverrouillage.
- Connecter la logique de commande à une ligne d'alimentation électrique avec mise à la terre.
- La ligne d'alimentation électrique doit être protégée par un disjoncteur magnétothermique associé à un déclencheur différentiel.
- Sur la ligne d'alimentation du secteur électrique, il faut monter un dispositif de déconnexion de l'alimentation (avec catégorie de surtension III, c'est-à-dire avec une distance entre les contacts d'au moins 3,5 mm) ou bien un autre système équivalent par exemple prise + fiche. Si le dispositif de déconnexion de l'alimentation ne se trouve pas à proximité de l'automatisme, il faut disposer d'un système de blocage contre la connexion accidentelle ou non autorisée.

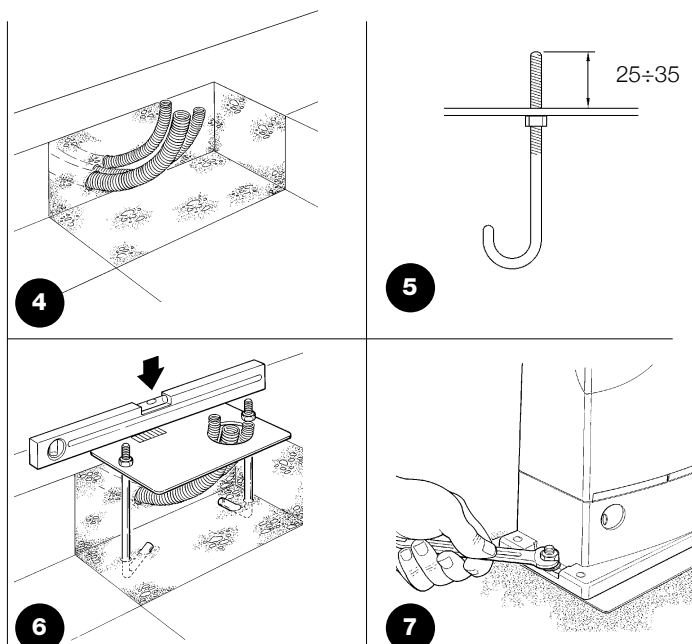
3.2) Fixation de l'opérateur

Si la surface d'appui existe déjà, la fixation de l'opérateur doit être effectuée directement sur la surface en utilisant des moyens adéquats par exemple avec des chevilles à expansion. Autrement, pour fixer l'opérateur:

1. Creuser un trou de fondation de dimensions adéquates en suivant les mesures indiquées dans la Figure 3 3.
2. Prévoir un ou plusieurs conduits pour le passage des câbles comme dans la Figure 4.
3. Assembler les deux agrafes sur la plaque de fondation en plaçant un écrou en dessous et un au-dessus de la plaque; l'écrou sous la plaque doit être vissé à fond de manière que la partie filetée de l'agrafe dépasse d'environ 25÷35 mm sur le dessus de la plaque.



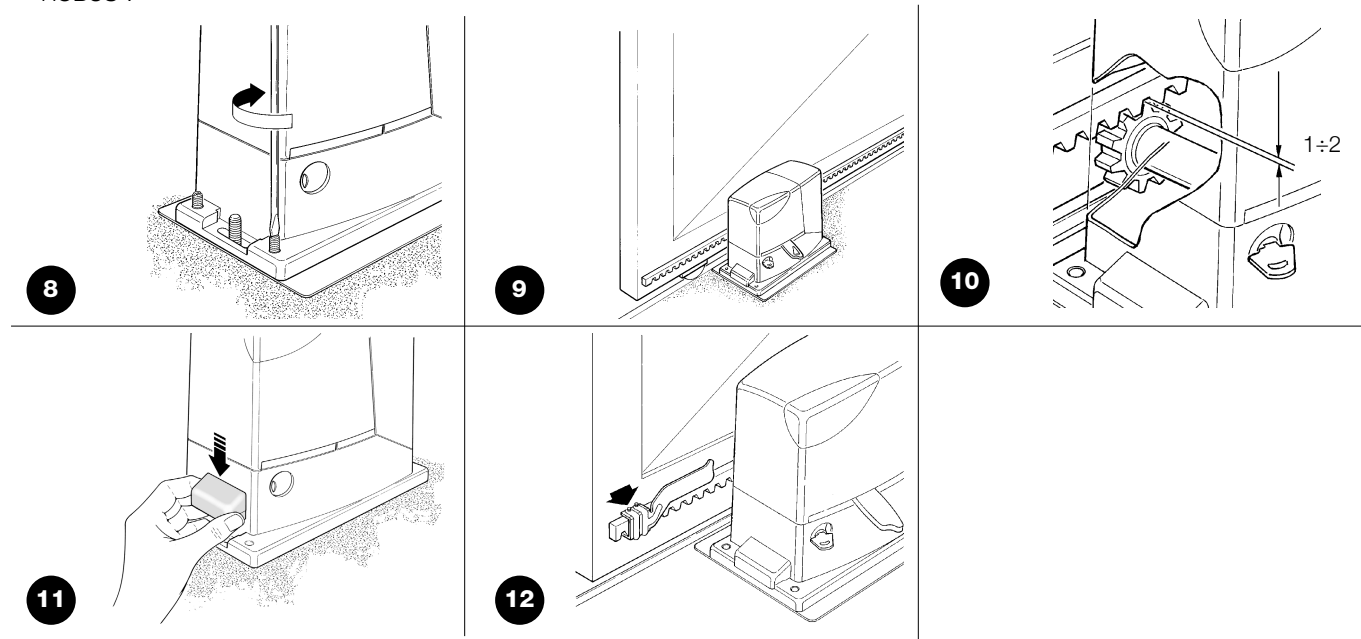
4. Effectuer la coulée en ciment et avant qu'il commence à prendre, mettre la plaque de fondation en respectant les distances indiquées dans la figure 3; vérifier qu'elle est parallèle au portail et parfaitement de niveau. Attendre la prise complète du ciment.
5. Enlever les 2 écrous sur le dessus de la plaque puis y poser l'opérateur; vérifier qu'il est parfaitement parallèle au portail puis visser légèrement les 2 écrous et les rondelles fournies comme dans la figure 7.



Si la crémaillère est déjà présente, après avoir fixé l'opérateur, agir sur les goujons de réglage comme dans la figure 8 pour mettre le pignon de ROBUS350 à la hauteur qui convient en laissant $1 \div 2$ mm de jeu de la crémaillère. Autrement, pour fixer la crémaillère, il faut:

6. Débrayer l'opérateur suivant les indications du paragraphe "Débrayage et manœuvre manuelle" dans le chapitre "Instructions et recommandations destinées à l'utilisateur de l'opérateur ROBUS".

7. Ouvrir complètement le portail, poser sur le pignon le premier segment de crémaillère et vérifier que le début de la crémaillère correspond au début du portail comme sur la figure 9. Vérifier la présence d'un jeu d' $1 \div 2$ mm entre le pignon et la crémaillère, puis fixer la crémaillère sur le portail avec des moyens adéquats.



⚠ pour éviter que le portail pèse trop sur l'opérateur, il est important qu'il y ait un jeu d' $1 \div 2$ entre la crémaillère et le pignon, comme dans la figure 10.

- 8.** Faire coulisser le portail et utiliser toujours le pignon comme référence pour fixer les autres éléments de la crémaillère.
- 9.** Couper l'éventuelle partie de crémaillère qui dépasse sur le dernier segment.
- 10.** Effectuer différentes manœuvres d'ouverture et de fermeture du portail à la main et vérifier que la crémaillère coulisse alignée au pignon avec un désalignement maximum de 5 mm, et qu'il y a un jeu d' $1 \div 2$ mm entre le pignon et la crémaillère sur toute la longueur.

- 11.** Serrer énergiquement les écrous de fixation de l'opérateur en s'assurant qu'il est bien fixé au sol; couvrir les écrous de fixation avec les bouchons comme dans la figure 11.
- 12.** Fixer avec leurs goujons respectifs les pattes de fin de course d'"Ouverture" et de "Fermeture" aux extrémités de la crémaillère comme sur la figure 12. Considérer que quand les fins de course interviennent, le portail coulissera sur encore 2-3 cm environ. Il est donc conseillé de régler le positionnement des pattes avec une bonne marge sur les butées mécaniques.
- 13.** Bloquer l'opérateur comme l'indique le paragraphe "Débrayage et mouvement manuel" dans le chapitre "Instructions et recommandations destinées à l'utilisateur de l'opérateur ROBUS"

3.3) Installation des divers dispositifs

Installer les autres dispositifs prévus en suivant les instructions respectives. Vérifier dans le paragraphe "3.5 Description des connexions électriques" et dans la figure 1 les dispositifs qui peuvent être connectés à ROBUS350.

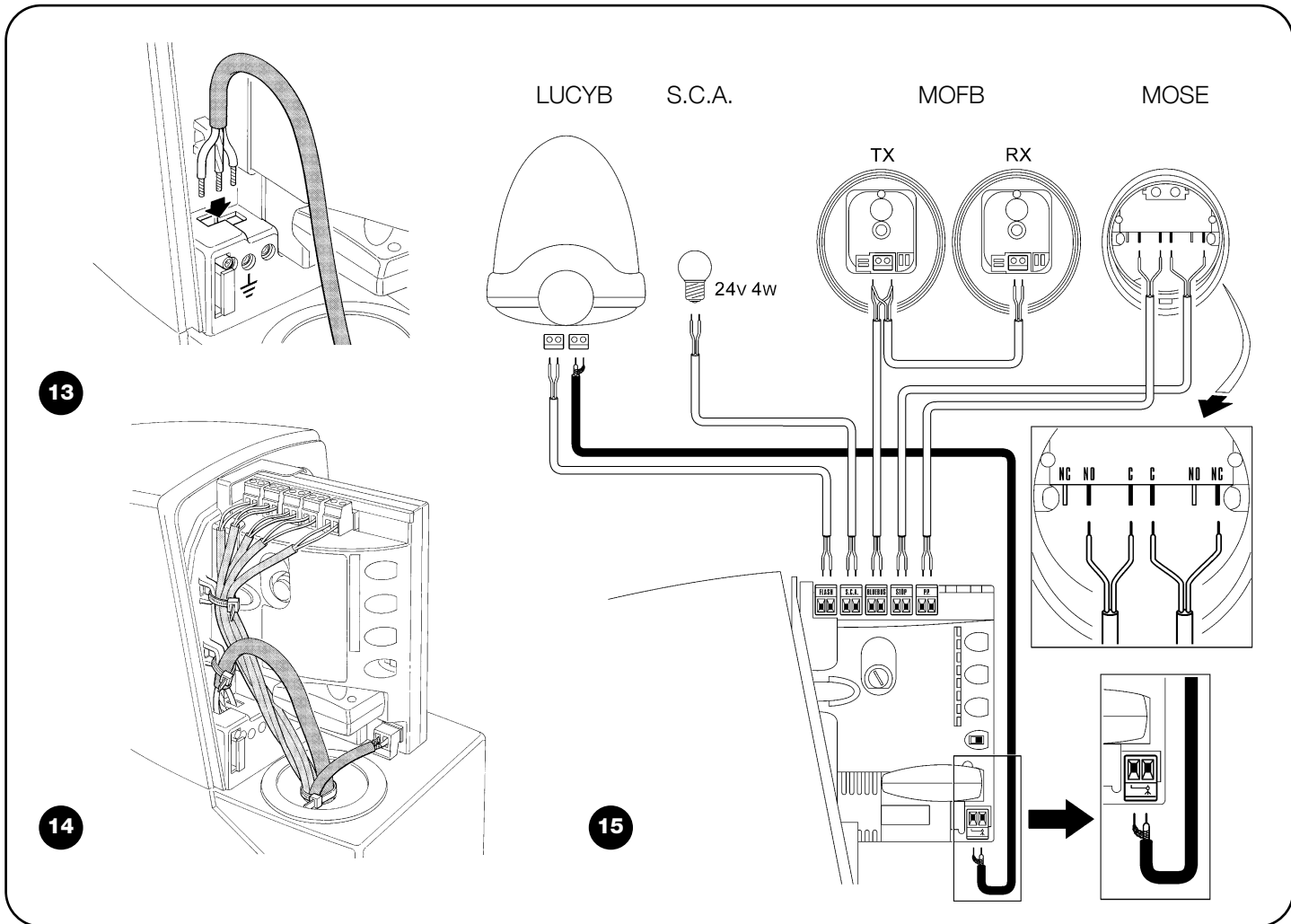
3.4) Connexions électriques

⚠ toutes les connexions électriques doivent être effectuées en l'absence de tension dans l'installation et avec l'éventuelle batterie tampon déconnectée.

- 1.** Pour éliminer le couvercle de protection et accéder à la logique électronique de commande de ROBUS350 il faut enlever la vis sur le côté et retirer le couvercle en le tirant vers le haut.
- 2.** Enlever la membrane en caoutchouc qui bouche le trou pour le passage des câbles et enfiler tous les câbles de connexion vers les différents dispositifs en les laissant dépasser de 20÷30 cm. Voir le tableau N°3 pour le type de câble et la figure 1 pour les connexions.
- 3.** Réunir avec un collier de serrage tous les câbles qui entrent dans l'opérateur, placer le collier juste en dessous du trou d'entrée des câbles. Sur la membrane de caoutchouc, découper un trou un peu plus étroit que le diamètre des câbles regroupés et enfiler la

membrane le long des câbles jusqu'au collier; remettre ensuite la membrane le trou pour le passage des câbles. Mettre un deuxième collier de serrage pour regrouper les câbles juste au-dessus de la membrane.

- 4.** Connecter le câble d'alimentation sur la borne prévue à cet effet comme l'indique la figure 14 puis avec un collier de serrage, bloquer le câble au premier anneau serre-câbles.
- 5.** Effectuer les connexions des autres câbles suivant le schéma de la figure 15. Pour plus de commodité, les bornes peuvent être extraites.
- 6.** Après avoir terminé les connexions, bloquer avec des colliers de serrage les câbles regroupés au deuxième anneau serre-câbles, la partie du câble d'antenne en excès doit être bloquée avec les autres câbles à l'aide d'un autre collier comme l'indique la figure 14.



F

3.5) Description des connexions électriques

Ce paragraphe contient une brève description des connexions électriques; d'autres informations se trouvent dans le paragraphe "7.3 Ajout ou enlèvement de dispositifs".

FLASH: sortie pour clignotant type "LUCYB" ou similaires avec l'ampoule 12 V maximum 21 W.

S.C.A.: sortie "Voyant portail ouvert"; il est possible de connecter une ampoule de signalisation 24 V maximum 4 W.

BLUEBUS: sur ces bornes, on peut connecter les dispositifs compatibles; ils sont tous connectés en parallèle avec seulement deux conducteurs sur lesquels transitent aussi bien l'alimentation électrique que les signaux de communication. D'autres informations sur BlueBUS se trouvent dans le paragraphe "7.3.1 BlueBUS".

STOP: entrée pour dispositifs qui bloquent ou éventuellement arrêtent la manœuvre en cours; en adoptant certaines solutions sur l'entrée, il est possible de connecter des contacts type "Normalement Fermé", "Normalement Ouvert" ou des dispositifs à résistance constante. D'autres informations sur STOP se trouvent dans le paragraphe "7.3.2 Entrée STOP".

P.P.: entrée pour dispositifs qui commandent le mouvement; on peut y connecter des contacts de type "Normalement Ouvert".

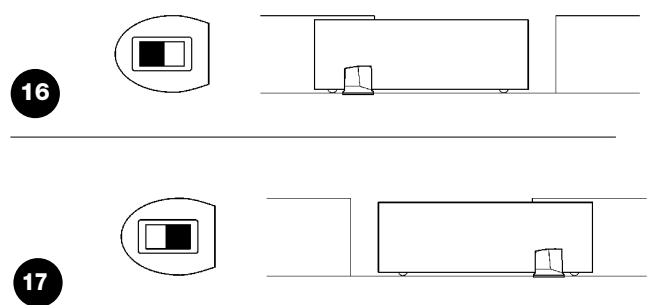
ANTENNA: entrée pour la connexion de l'antenne pour récepteur radio (l'antenne est incorporée sur LUCY B).

4) Contrôles finaux et mise en service

Avant de commencer la phase de contrôle et de mise en service de l'automatisme, il est conseillé de mettre le portail à mi-course environ de manière qu'il puisse se déplacer aussi bien en ouverture qu'en fermeture.

4.1) Sélection de la direction

La direction de la manœuvre d'ouverture doit être choisie en fonction de la position de l'opérateur par rapport au portail; si le portail doit coulisser vers la gauche pour l'ouverture, il faut mettre le sélecteur vers la gauche comme dans la figure 16, si le portail doit coulisser vers la droite pour l'ouverture, il faut mettre le sélecteur vers la droite comme dans la figure 17.



4.2) Branchement au secteur

⚠ le branchement de ROBUS350 au secteur doit être effectué par du personnel expert et qualifié en possession des caractéristiques requises et dans le plein respect des lois, normes et réglementations.

Dès que l'opérateur ROBUS350 est alimenté, il est conseillé de faire quelques vérifications élémentaires:

1. Vérifier que la led BLUEBUS clignote régulièrement à la fréquence d'un clignotement à la seconde.
2. Vérifier que les led sur les photocellules clignent elles aussi (aussi bien sur TX que sur RX); la fréquence de clignotement n'est pas significative, elle est liée à d'autres facteurs.

3. Vérifier que le clignotant connecté à la sortie FLASH et que le voyant connecté sur la sortie S.C.A. sont éteints.

Si ce n'est pas le cas, il faut couper immédiatement l'alimentation de la logique de commande et contrôler plus attentivement les connexions électriques.

D'autres informations utiles pour la recherche et le diagnostic des pannes se trouvent dans le chapitre "7.6 Résolution des problèmes".

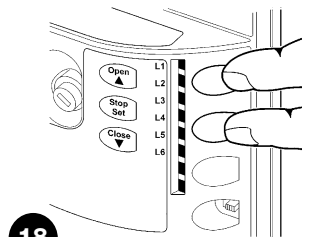
4.3) Reconnaissance des dispositifs

Après le branchement au secteur il faut faire reconnaître par la logique de commande les dispositifs connectés aux entrées BLUEBUS et

STOP. Avant cette phase, les led L1 et L2 clignent pour indiquer qu'il faut effectuer la reconnaissance des dispositifs.

1. Presser et maintenir enfoncées les touches **[▲]** et **[Set]**
2. Relâcher les touches quand les led L1 et L2 commencent à clignoter très rapidement (au bout d'environ 3 s)
3. Attendre quelques secondes que la logique termine la reconnaissance des dispositifs
4. À la fin de la reconnaissance, la led STOP doit rester allumée, les led L1 et L2 s'éteindront (les led L3 et L4 commenceront éventuellement à clignoter)

La phase de reconnaissance des dispositifs connectés peut être refaite à tout moment même après l'installation, par exemple si l'on ajoute un dispositif; pour effectuer la nouvelle reconnaissance, voir paragraphe "7.3.4 Reconnaissance d'autres dispositifs"



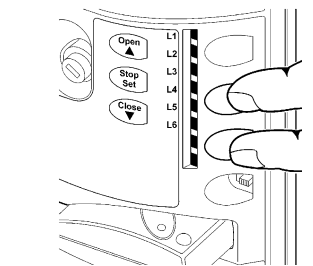
4.4) Reconnaissance de la longueur du portail

Après la reconnaissance des dispositifs, les led L3 et L4 commenceront à clignoter; cela signifie qu'il faut faire reconnaître la longueur du portail (distance entre le fin de course de fermeture et le fin de

course d'ouverture); cette mesure est nécessaire pour le calcul des points de ralentissement et le point d'ouverture partielle.

1. Presser et maintenir enfoncées les touches **[▼]** et **[Set]**
2. Relâcher les touches quand la manœuvre commence (au bout d'environ 3 s)
3. Vérifier que la manœuvre en cours est une ouverture, autrement presser la touche **[Stop]** et relire attentivement le paragraphe "4.1 Sélection de la direction"; puis répéter à partir du point 1.
4. Attendre que la logique complète la manœuvre d'ouverture jusqu'à ce que le fin de course d'ouverture soit atteint; la manœuvre de fermeture commence juste après;
5. Attendre que la logique complète la manœuvre de fermeture.

Si tout cela ne se vérifie pas, il faut couper immédiatement l'alimentation de la logique de commande et contrôler plus attentivement les connexions électriques. D'autres informations utiles se trouvent dans le chapitre "7.6 Résolution des problèmes".



4.5) Vérification du mouvement du portail

Après la reconnaissance de la longueur du portail, il est conseillé d'effectuer quelques manœuvres pour vérifier que le mouvement du portail est correct.

1. Presser la touche **[Open]** pour commander une manœuvre d'ouverture; vérifier que l'ouverture du portail s'effectue régulièrement sans variation de vitesse; le portail ne doit ralentir que lorsqu'il se trouve 70÷50 cm avant le fin de course et il doit s'arrêter, suite à l'intervention du fin de course, à 2÷3cm de la butée mécanique d'ouverture.
2. Presser la touche **[Close]** pour commander une manœuvre de fermeture; vérifier que la fermeture du portail s'effectue régulièrement sans variation de vitesse; le portail ne doit ralentir que lorsqu'il se trouve 70÷50 cm avant le fin de course et il doit s'arrêter, suite à l'intervention du fin de course, à 2÷3cm de la butée mécanique de fermeture.

3. Durant la manœuvre, vérifier que le clignotant clignote à une fréquence régulière de 0,5 s. S'il est présent, contrôler également le clignotement du voyant connecté à la borne SCA: clignotement lent en ouverture, rapide en fermeture.

4. Effectuer différentes manœuvres d'ouverture et de fermeture pour mettre en évidence les éventuels défauts de montage et de réglage ou d'autres anomalies comme par exemple les points de plus grande friction.

5. Vérifier que les fixations de l'opérateur ROBUS350, de la crémaillère et des pattes de fin de course sont solides, stables et suffisamment résistantes même en cas de brusques accélérations ou décélérations du mouvement du portail

4.6) Fonctions préprogrammées

La logique de commande de ROBUS350 dispose de certaines fonctions programmable; en usine ces fonctions sont réglées suivant une configuration qui devrait satisfaire la plupart des automatisations; quoiqu'il en

soit, les fonctions peuvent être modifiées à tout moment à l'aide d'une procédure de programmation particulière, voir pour cela le paragraphe "7.2 Programmations".

4.7) Mémorisation des émetteurs radio

Pour la commande à distance de ROBUS350, la logique de commande est munie d'un connecteur SM pour récepteurs radio type SMXI ou SMXIS (voir fig. 20); chaque émetteur radio est reconnu par ce récepteur à travers un "code" distinct de tous les autres. Il faut donc effectuer une phase de "mémorisation" à travers laquelle le récepteur est préparé à reconnaître chaque émetteur. La mémorisation des émetteurs peut se faire de deux manières:

Mode I: dans ce mode la fonction des touches de l'émetteur est fixe et chaque touche correspond dans la logique à la commande indiquée dans le tableau N°4; on effectue une unique phase pour chaque émetteur dont sont mémorisées toutes les touches, durant cette phase, la touche pressée n'a pas d'importance et une seule place est occupée dans la mémoire. En mode I, normalement un émetteur ne peut commander qu'un seul automatisme

Mode II: dans ce mode, chaque touche de l'émetteur peut être associée à l'une des 4 commandes possibles dans la logique et indiquées dans le tableau N°5 ci-après; pour chaque phase, une seule touche est mémorisée c'est-à-dire celle qui est pressée durant la phase de mémorisation. Dans la mémoire, une seule place est occupée pour chaque touche mémorisée. En mode II, les différentes touches du même émetteur peuvent être utilisées pour donner des commandes différentes au même automatisme ou pour commander des automatismes différents. Par exemple, dans le tableau N°6, seul l'automatisme "A" est commandé et les touches T3 et T4 sont associées à la même commande; ou bien dans l'exemple du tableau 7 les 3 touches commandent 3 automatismes différents: "A" (touches T1 et T2), "B" (touche T3) et "C" (touche T4).

⚠ Vu que les procédures de mémorisation ont un temps limite de 10 s, il faut lire d'abord les instructions données dans les paragraphes qui suivent puis les exécuter.

Tableau N°4: mémorisation Mode I

Touche T1	Commande "PP"
Touche T2	Commande "Ouverture partielle"
Touche T3	Commande "Ouverture"
Touche T4	Commande "Fermeture"

Note: les émetteurs monocanal disposent uniquement de la touche T1, les émetteurs bicanaux disposent uniquement des touches T1 et T2.

Tableau N°5: commandes disponibles en Mode II

N°1	Commande "PP"
N°2	Commande "Ouverture partielle"
N°3	Commande "Ouverture"
N°4	Commande "Fermeture"

Tableau N°6: 1° exemple de mémorisation en Mode II

Touche T1	Commande "Ouverture"	Automatisme A
Touche T2	Commande "Fermeture"	Automatisme A
Touche T3	Commande "Ouverture partielle"	Automatisme A
Touche T4	Commande "Ouverture partielle"	Automatisme A

Tableau N°7: 2° exemple de mémorisation en Mode II

Touche T1	Commande "Ouverture"	Automatisme A
Touche T2	Commande "Fermeture"	Automatisme A
Touche T3	Commande "PP"	Automatisme B
Touche T4	Commande "PP"	Automatisme C

4.7.1) Mémorisation en Mode I

20

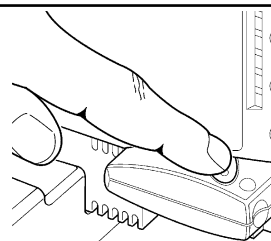


Tableau N°8: pour mémoriser un émetteur en mode I

	Exemple
1. Presser et maintenir enfoncée la petite touche sur le récepteur (pendant environ 3 s)	3s
2. Relâcher la petite touche quand la led s'allume sur le récepteur	3s
3. Dans les 10 s qui suivent presser pendant au moins 2 s une touche quelconque de l'émetteur à mémoriser	2s
4. Si la mémorisation a été effectuée correctement la led sur le récepteur émettra 3 clignotements.	x3

S'il y a d'autres émetteurs à mémoriser, répéter le point 3 dans les 10 s successives. La phase de mémorisation se termine automatiquement si aucun nouveau code n'est mémorisé dans les 10 secondes qui suivent.

4.7.2) Mémorisation en Mode II

Tableau N°9: pour mémoriser la touche d'un émetteur en mode II

	Exemple
1. Presser la petite touche du récepteur un nombre de fois équivalant à la commande désirée suivant le tableau N°5	1...4
2. Vérifier que la led du récepteur émet un nombre de clignotements équivalant à la commande désirée	1...4
3. Dans les 10 s qui suivent, presser pendant au moins 2 s la touche désirée de l'émetteur à mémoriser	2s
4. Si la mémorisation a été effectuée correctement la led sur le récepteur émettra 3 clignotements.	x3

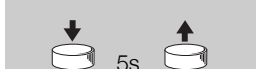


S'il y a d'autres émetteurs à mémoriser, répéter le point 3 dans les 10 s successives. La phase de mémorisation se termine automatiquement si aucun nouveau code n'est mémorisé dans les 10 secondes qui suivent.

4.7.3) Mémorisation "à distance"

Il est possible de mémoriser un nouvel émetteur sans agir directement sur la petite touche du récepteur. Il faut disposer d'un émetteur déjà mémorisé et fonctionnant. Le nouvel émetteur "héritera" des caractéristiques de celui qui est déjà mémorisé; cela signifie que si le premier émetteur est mémorisé en mode 1, le nouveau sera mémorisé lui aussi en mode 1 et on pourra presser n'importe quelle touche des deux émetteurs. Si par contre le premier émetteur est mémorisé en mode 2, le nouveau devra être mémorisé lui aussi en mode II et il faudra presser sur le premier la touche relative à la commande désirée, et sur le nouveau la touche à laquelle on désire associer la commande en question.

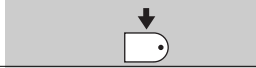


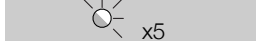
⚠ La mémorisation à distance peut s'effectuer dans tous les récepteurs qui se trouvent dans le rayon de portée de l'émetteur; il faut donc alimenter uniquement celui qui est concerné par l'opération.

Avec les deux émetteurs, se placer dans le rayon d'action de l'automatisme et exécuter les opérations suivantes:

Tableau N°10: pour mémoriser un émetteur "à distance"	Exemple
1. Presser pendant au moins 5 s la touche sur le nouvel émetteur radio, puis relâcher.	
2. Presser lentement 3 fois la touche sur l'émetteur radio déjà mémorisé.	
3. Presser lentement 1 fois la touche sur le nouvel émetteur radio.	

Maintenant, le nouvel émetteur radio sera reconnu par le récepteur et prendra les caractéristiques qu'avait celui qui était déjà mémorisé. S'il y a d'autres émetteurs à mémoriser, répéter toutes les opérations pour chaque nouvel émetteur.

4.7.4) Effacement des émetteurs radio

Tableau N°11: pour effacer tous les émetteurs	Exemple
1. Presser et maintenir enfoncée la petite touche sur le récepteur	
2. Attendre que la led s'allume, attendre qu'elle s'éteigne, puis attendre qu'elle émette 3 clignotements	
3. Relâcher la touche exactement durant le 3e clignotement	
4. Si la procédure a été effectuée correctement, au bout de quelques instants, la led émettra 5 clignotements.	

4.7.5) Déclaration de conformité récepteur radio

Déclaration de conformité

N°: 151/SMXI Rev03
 Nice S.p.a., Via Pezza Alta 13, 31046 Rustignè di Oderzo (TV) Italie
 NICE S.p.a. déclare que les récepteurs radio modèles SMXI, SMXIS et les émetteurs FLO2R-S et SM2 correspondants sont conformes aux conditions essentielles requises par la Directive R&TTE 1999/5/CE, pour l'usage auquel ces appareils sont destinés.
 Fabriqué en Classe 1, Sous-classe 20

Date: 19 Mars 2004

(Administrateur Délégué)
 LAURO BUORO

5) Essai et mise en service

Il s'agit des phases les plus importantes dans la réalisation de l'automatisation afin de garantir la sécurité maximum. L'essai peut être utilisé également comme vérification périodique des dispositifs qui composent l'automatisme.

⚠ L'essai de toute l'installation doit être effectué par du personnel qualifié et expérimenté qui devra se charger d'établir les essais prévus en fonction des risques présents et de vérifier le respect de ce qui est prévu par les lois, les normes et réglementations et en particulier, toutes les conditions de la norme EN 12445 qui détermine les méthodes d'essai pour la vérification des automatismes pour portails.

5.1) Essai

Chaque élément de l'automatisme comme par exemple les bords sensibles, les photocellules, l'arrêt d'urgence, etc. demande une phase spécifique d'essai; pour ces dispositifs, il faudra effectuer les procédures figurant dans les manuels d'instructions respectifs.

Pour l'essai de ROBUS350 effectuer les opérations suivantes:

1. Vérifier que tout ce qui est prévu dans le présent manuel est rigoureusement respecté et en particulier dans le chapitre "1 Avertissements";
2. Débrayer l'opérateur suivant les indications du paragraphe "Débrayage et manœuvre manuelle" dans le chapitre "Instructions et recommandations destinées à l'utilisateur de l'opérateur ROBUS350";
3. Vérifier qu'il est possible de manœuvrer manuellement le portail en ouverture et en fermeture avec une force ne dépassant pas 390N (environ 40kg);
4. Bloquer l'opérateur.
5. En utilisant les dispositifs de commande ou d'arrêt prévus (sélecteur

à clé, boutons de commande ou émetteurs radio), effectuer des essais d'ouverture, de fermeture et d'arrêt du portail et vérifier que le comportement du portail correspond à ce qui est prévu.

6. Vérifier un par un le fonctionnement correct de tous les dispositifs de sécurité présents dans l'installation (photocellules, barres palpeuses, arrêt d'urgence, etc.); et vérifier que le comportement du portail correspond à ce qui est prévu. À chaque fois qu'un dispositif intervient, la led "BlueBUS" sur la logique de commande doit effectuer 2 clignotements plus rapides qui confirment qu'elle reconnaît l'événement.
7. Si l'on n'a pas remédié aux situations de risque liées au mouvement du portail à travers la limitation de la force d'impact, il faut effectuer la mesure de la force d'impact suivant les prescriptions de la norme EN 12445. Si le réglage de la "Vitesse" et le contrôle de la "Force moteur" sont utilisés pour aider le système à réduire la force d'impact, essayer et trouver les réglages qui donnent les meilleurs résultats.

5.2) Mise en service

La mise en service ne peut être faite que si toutes les phases d'essai ont été exécutées avec résultat positif. La mise en service partielle ou dans des situations "provisoires" n'est pas autorisée.

1. Réaliser et conserver au moins 10 ans le fascicule technique de l'automatisation qui devra comprendre au moins: dessin d'ensemble de l'automatisation, schéma des connexions électriques, analyse des risques et solutions adoptées, déclaration de conformité du fabricant de tous les dispositifs utilisés (pour ROBUS350, utiliser la Déclaration CE de conformité ci-jointe), exemplaire du mode d'emploi et du plan de maintenance de l'automatisme.
2. Appliquer sur le portail une plaquette contenant au moins les données suivantes: type d'automatisme, nom et adresse du constructeur (responsable de la "mise en service"), numéro de matricule, année de construction et marque "CE".

3. Fixer de manière permanente à proximité du portail une étiquette ou une plaque indiquant les opérations à effectuer pour le débrayage et la manœuvre manuelle.
4. Remplir et remettre au propriétaire la déclaration de conformité de l'automatisme.
5. Réaliser et remettre au propriétaire de l'automatisme le manuel "Instructions et avertissements pour l'utilisation de l'automatisme".
6. Réaliser et remettre au propriétaire le plan de maintenance de l'automatisme (qui doit regrouper toutes les prescriptions pour la maintenance de chaque dispositif).
7. Avant de mettre en service l'automatisme, informer le propriétaire, de manière adéquate et par écrit (par exemple dans le manuel d'instructions et d'avertissements pour l'utilisation de l'automatisme), sur les risques encore présents.

6) Maintenance et mise au rebut

Ce chapitre contient les informations pour la réalisation du plan de maintenance et la mise au rebut de ROBUS350

6.1) Maintenance

Pour maintenir un niveau de sécurité constant et pour garantir la durée maximum de tout l'automatisme, il faut effectuer une maintenance régulière.

⚠ La maintenance doit être effectuée dans le plein respect des consignes de sécurité du présent manuel et suivant les prescriptions des lois et normes en vigueur.

Si d'autres dispositifs sont présents, suivre ce qui est prévu dans le plan de maintenance respectif.

1. Pour ROBUS350 il faut effectuer une maintenance programmée au maximum dans les 6 mois ou quand 10 000 manœuvres ont

été effectuées depuis la dernière intervention de maintenance:

2. Couper toutes les sources d'alimentation électrique de l'automatisme, y compris les éventuelles batteries tampon.
3. Vérifier l'état de détérioration de tous les matériaux qui composent l'automatisme avec une attention particulière pour les phénomènes d'érosion ou d'oxydation des parties structurales; remplacer les parties qui ne donnent pas de garanties suffisantes.
4. Vérifier l'état d'usure des parties en mouvement: pignon, crémaillère et toutes les parties mobiles du portail, remplacer les parties usées.
5. Reconnecter les sources d'alimentation électrique et effectuer tous les essais et les contrôles prévus dans le paragraphe "5.1 Essai".

6.2) Mise au rebut

ROBUS est constitué de différents types de matériaux dont certains peuvent être recyclés (acier, aluminium, plastique, câbles électriques), d'autres devront être mis au rebut (batteries et cartes électroniques).

⚠ Certains composants électroniques et les batteries pourraient contenir des substances polluantes, ne pas les abandonner dans la nature. Informez-vous sur les systèmes de recyclage ou de mise au rebut en respectant les normes locales en vigueur.

1. Déconnecter l'alimentation électrique de l'automatisme et l'éventuelle batterie tampon.
2. Démonter tous les dispositifs et accessoires, suivant la procédure inverse à celle qui est décrite dans le chapitre 3 "Installation".
3. Séparer le plus possible les parties qui peuvent ou doivent être recyclées ou éliminées de manière différente, par exemple séparer les parties métalliques des parties en plastique, les cartes électroniques, les batteries, etc.
4. Trier et confier les différents matériaux ainsi séparés et recyclables à des sociétés spécialisées dans la récupération et le recyclage suivant les réglementations locales.

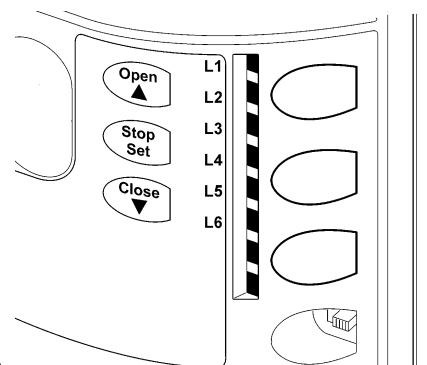
7) Approfondissements

Ce chapitre explique les possibilités de programmation et de personnalisation, ainsi que le diagnostic et la recherche des pannes sur ROBUS350.

7.1) Touches de programmation

Sur la logique de commande de ROBUS350 se trouvent 3 touches qui peuvent être utilisées aussi bien pour la commande de la logique durant les essais que pour les programmations:

Open ▲	La touche "OPEN" permet de commander l'ouverture du portail ou de déplacer vers le haut le point de programmation
Stop Set	La touche "STOP" permet d'arrêter la manœuvre et si elle est pressée plus de 5 secondes, elle permet d'entrer en programmation.
Close ▼	La touche "CLOSE" permet de commander la fermeture du portail ou de déplacer vers le bas le point de programmation.



21

7.2) Programmation

La logique de commande de ROBUS350 possède quelques fonctions programmables; le réglage des fonctions s'effectue à travers 3 touches présentes sur la logique: [▲] [Set] [▼] et sont visualisées à l'aide de 6 led: **L1...L6**.

Les fonctions programmables disponibles sur ROBUS350 sont réparties en deux niveaux:

Premier niveau: fonctions réglables en mode ON-OFF (actif ou non actif); dans ce cas, chaque led **L1...L6** indique une fonction, si elle est allumée la fonction est active, si elle est éteinte la fonction n'est pas active; voir tableau N°12.

Deuxième niveau: paramètres réglables sur une échelle de valeurs (valeurs d'1 à 6); dans ce cas, chaque led **L1...L6** indique la valeur réglée parmi les 6 possibles; voir tableau N°14.

7.2.1) Fonctions premier niveau (fonctions ON-OFF)




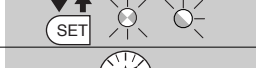

Tableau N°12: liste des fonctions programmables: premier niveau

Led	Fonction	Description
L1	Fermeture automatique	Cette fonction permet une fermeture automatique du portail après le temps de pause programmé; le Temps de pause est réglé en usine à 30 secondes mais peut être modifié à 5, 15, 30, 45, 60 et 80 secondes. Si la fonction n'est pas active, le fonctionnement est "semi-automatique".
L2	Refermeture immédiate après passage devant photocellule	Cette fonction permet de garder le portail ouvert uniquement le temps nécessaire au transit, en effet l'intervention de "Photo" provoque toujours une refermeture automatique avec un temps de pause de 5 s (indépendamment de la valeur programmée); le comportement varie suivant si la "Fermeture Automatique" est active ou pas. Si la " Fermeture automatique " n'est pas active: le portail atteint toujours la position d'ouverture totale (même si la libération de la photocellule a lieu avant). La libération de la photocellule provoque une manœuvre de fermeture automatique au bout de 5 s. Avec la " fermeture automatique " active: la manœuvre d'ouverture s'arrête juste après que les photocellules aient été libérées et 5 s plus tard la manœuvre de fermeture automatique commence. La fonction "Refermeture immédiate après passage devant photocellule" est toujours désactivée dans les manœuvres interrompues avec une commande de Stop. Si la fonction "Refermeture immédiate après passage devant photocellule" n'est pas active, le temps de pause sera celui qui est programmé ou bien il n'y aura pas de refermeture automatique si la fonction n'est pas active.
L3	Ferme toujours	La fonction "Ferme toujours" intervient, provoquant une fermeture, quand au retour de l'alimentation la logique détecte le portail ouvert. Pour des questions de sécurité la manœuvre est précédée par 5 s de préclignotement. Si la fonction n'est pas active au retour de l'alimentation, le portail restera arrêté.
L4	Stand-By	Cette fonction permet de réduire au maximum la consommation d'énergie, elle est utile en particulier dans le fonctionnement avec batterie tampon. Si cette fonction est active, 1 minute après la fin de la manœuvre, la logique éteint BLUEBUS (et donc les dispositifs) et toutes les led sauf la led BLUEBUS qui clignotera plus lentement. Quand une commande arrive, la logique rétablit le plein fonctionnement. Si la fonction n'est pas active, il n'y aura pas de réduction des consommations.
L5	Démarrage	Avec l'activation de cette fonction, l'accélération progressive au début de chaque manœuvre est désactivée; cela permet d'avoir la force de démarrage maximum et c'est utile en cas de frictions statiques élevées, par exemple en cas de neige ou de givre qui bloquent le portail. Si la fonction n'est pas active, la manœuvre commence avec une accélération progressive.
L6	Préclignotement	Avec la fonction de préclignotement, une pause de 3 s est ajoutée entre l'allumage du clignotant et le début de la manœuvre pour avertir l'utilisateur de la situation de danger. Si la fonction n'est pas active, l'allumage du clignotant coïncide avec le début de la manœuvre.

Durant le fonctionnement normal de ROBUS350 les led **L1...L6** sont allumées ou éteintes suivant l'état de la fonction à laquelle elles correspondent, par exemple **L1** est allumée si la "Fermeture automatique" est active.

7.2.2) Programmation du premier niveau (fonctions ON-OFF)

En usine, les fonctions du premier niveau sont toutes mises sur "OFF" mais on peut les modifier à tout moment comme l'indique le tableau N°13. Faire attention dans l'exécution de la procédure car il y a un temps maximum de 10 s entre la pression d'une touche et l'autre, autrement la procédure se termine automatiquement en mémorisant les modifications faites jusqu'à ce moment-là.

Tableau N°13: pour changer les fonctions ON-OFF		Exemple
1.	Presser et maintenir enfoncée la touche [Set] pendant environ 3 s	
2.	Relâcher la touche [Set] quand la led L1 commence à clignoter	
3.	Presser les touches [▲] ou [▼] pour déplacer la led clignotante sur la led qui correspond à la fonction à modifier	
4.	Presser la touche [Set] pour changer l'état de la fonction (clignotement bref = OFF; clignotement long = ON)	
5.	Attendre 10 s pour sortir de la programmation pour temps maximum écoulé.	

Note: les points 3 et 4 peuvent être répétées au cours de la même phase de programmation pour mettre d'autres fonctions en mode ON ou OFF

7.2.3) Fonctions deuxième niveau (paramètres réglables)

Tableau N°14: liste des fonctions programmables: deuxième niveau				
Led d'entrée	Paramètre	Led (niveau)	valeur	Description
L1	Temps de pause	L1	5 secondes	Règle le temps de pause, c'est-à-dire le temps avant la refermeture automatique. La fonction n'a d'effet que si la fermeture automatique est active
		L2	15 secondes	
		L3	30 secondes	
		L4	45 secondes	
		L5	60 secondes	
		L6	80 secondes	
L2	Fonction P.P.	L1	Ouverture - stop - fermeture- stop	Règle la séquence de commandes associées à l'entrée P.P. ou bien à la première commande radio (voir tableaux 4 et 5).
		L2	Ouverture - stop - fermeture- ouverture	
		L3	Ouverture - fermeture- ouverture - fermeture	
		L4	Fonctionnement collectif	
		L5	Fermeture	
		L6	Commande "homme mort"	
L3	Vitesse moteur	L1	Très lente	Règle la vitesse du moteur durant la course normale.
		L2	Lente	
		L3	Moyenne	
		L4	Rapide	
		L5	Très rapide	
		L6	Super rapide	
L4	Sortie S.C.A.	L1	Fonction S.C.A. (voyant portail ouvert)	Règle la fonction associée à la sortie S.C.A.
		L2	Allumée si le portail est fermé	
		L3	Allumée si le portail est ouvert	
		L4	Active avec 2e commande radio	
		L5	Active avec 3e commande radio	
		L6	Active avec 4e commande radio	
L5	Force moteur	L1	Portail "très léger"	Règle le système de contrôle de la force du moteur pour l'adapter au poids du portail
		L2	Portail "léger"	
		L3	Portail "moyen"	
		L4	Portail "moyen-lourd"	
		L5	Portail "lourd"	
		L6	Portail "très lourd"	
L6	Ouverture partielle	L1	0,5 m	Règle la mesure de l'ouverture partielle. L'ouverture partielle peut se commander uniquement avec la 2e commande radio (voir tableaux 4 et 5)
		L2	1 m	
		L3	1,5 m	
		L4	2 m	
		L5	2,5 m	
		L6	3 m	

Nota: "■" représente le réglage fait en usine

Tous les paramètres peuvent être réglés suivant les préférences sans aucune contre-indication; seul le réglage "force moteur" pourrait demander une attention particulière:


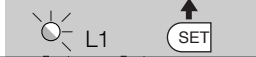


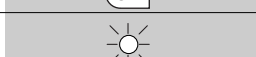



- Il est déconseillé d'utiliser des valeurs de force élevées pour compenser le fait que le portail a des points de friction anormaux. Une force excessive peut compromettre le fonctionnement du système de sécurité ou endommager le portail.

- Si le contrôle de la "force moteur" est utilisé comme soutien du système pour la réduction de la force d'impact, après chaque réglage, répéter la mesure de la force, comme le prévoit la norme EN 12445.

- L'usure et les conditions atmosphériques peuvent influencer le mouvement du portail, périodiquement il faut reconstrôler le réglage de la force.

7.2.4) Programmation deuxième niveau (paramètres réglables)


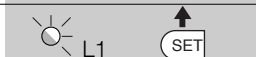




En usine, les paramètres réglables sont réglés comme l'illustre le tableau avec: " " mais ils peuvent être modifiés à tout moment comme l'indique le tableau N°15. Faire attention dans l'exécution de la procédure car il y a un temps maximum de 10 s entre la pression d'une touche et l'autre, autrement la procédure se termine automatiquement en mémorisant les modifications faites jusqu'à ce moment-là.

Tableau N°15: pour modifier les paramètres réglables		Exemple
1.	Presser et maintenir enfoncée la touche [Set] pendant environ 3 s	 3s
2.	Relâcher la touche [Set] quand la led L1 commence à clignoter	 L1
3.	Presser les touches [▲] ou [▼] pour déplacer la led clignotante sur la "led d'entrée" qui correspond au paramètre à modifier	
4.	Presser et maintenir enfoncée la touche [Set] , la pression doit être maintenue sur la touche [Set] pendant toute la durée des phases 5 et 6	
5.	Attendre environ 3 s puis la led qui correspond au niveau actuel du paramètre à modifier s'allumera.	
6.	Presser les touches [▲] ou [▼] pour déplacer la led qui correspond à la valeur du paramètre.	
7.	Relâcher la touche [Set]	
8.	Attendre 10 s pour sortir de la programmation pour temps maximum écoulé.	 10s

Note: les points de 3 à 7 peuvent être répétés au cours de la même phase de programmation pour régler plusieurs paramètres

7.2.5) Exemple de programmation premier niveau (fonctions ON-OFF)


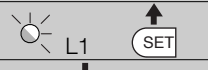

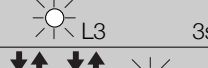


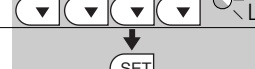
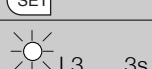



Comme exemple nous indiquons les diverses opérations à effectuer pour modifier le réglage des fonctions fait en usine pour activer les fonctions de "Fermeture Automatique" (L1) et "Ferme toujours" (L3).

Tableau N°16: exemple de programmation premier niveau		Exemple
1.	Presser et maintenir enfoncée la touche [Set] pendant environ 3 s	 3s
2.	Relâcher la touche [Set] quand la led L1 commence à clignoter	 L1
3.	Presser une fois la touche [Set] pour changer l'état de la fonction associée à L1 (Fermeture Automatique), maintenant la led L1 clignote avec clignotement long	 L1
4.	Presser 2 fois la touche [▼] pour déplacer la led clignotante sur la led L3	
5.	Presser une fois la touche [Set] pour changer l'état de la fonction associée à L3 (Ferme toujours), maintenant la led L3 clignote avec clignotement long	 L3
6.	Attendre 10 s pour sortir de la programmation pour temps maximum écoulé	 10s

À la fin de ces opérations les led L1 et L3 doivent rester allumées pour indiquer que les fonctions de "Fermeture Automatique" et "Ferme toujours" sont actives

7.2.6) Exemple de programmation deuxième niveau (paramètres réglables)

Comme exemple nous indiquons les diverses opérations à effectuer pour modifier le réglage des paramètres effectué en usine en augmentant le "Temps de pause" à 60 s (entrée sur L1 et niveau sur L5) et en réduisant la "Force moteur" pour portails légers (entrée sur L5 et niveau sur L2).

Tableau N°17: exemple de programmation deuxième niveau	Exemple
1. Presser et maintenir enfoncée la touche [Set] pendant environ 3 s	
2. Relâcher la touche [Set] quand la led L1 commence à clignoter	
3. Presser et maintenir enfoncée la touche [Set] ; la pression sur la touche [Set] doit être maintenue pendant toute la durée des phases 4 et 5	
4. Attendre environ 3 s jusqu'à l'allumage de la led L3 qui correspond au niveau actuel du "Temps de pause"	
5. Presser 2 fois la touche [▼] pour déplacer la led allumée sur L5 qui représente la nouvelle valeur du "Temps de pause"	
6. Relâcher la touche [Set]	
7. Presser 4 fois la touche [▼] pour déplacer la led clignotante sur la led L5	
8. Presser et maintenir enfoncée la touche [Set] ; la pression sur la touche [Set] doit être maintenue pendant toute la durée des phases 9 et 10	
9. Attendre environ 3 s jusqu'à l'allumage de la led L5 qui correspond au niveau actuel de la "Force moteur"	
10. Presser 3 fois la touche [▲] pour déplacer la led allumée sur L2 qui correspond à la nouvelle valeur de la "Force moteur"	
11. Relâcher la touche [Set]	
12. Attendre 10 s pour sortir de la programmation pour temps maximum écoulé	

7.3) Ajout ou enlèvement de dispositifs

À un automatisme avec ROBUS350 on peut ajouter ou enlever des dispositifs à n'importe quel moment. En particulier, à "BLUEBUS" et à l'entrée "STOP" on peut connecter différents types de dispositifs

comme l'indiquent les paragraphes "7.3.1 BlueBUS" et "7.3.2 Entrée STOP".

7.3.1) BlueBUS

BlueBUS est une technique qui permet d'effectuer les connexions des dispositifs compatibles avec seulement deux conducteurs sur lesquels transitent aussi bien l'alimentation électrique que les signaux de communication. Tous les dispositifs sont connectés en parallèle sur les 2 mêmes conducteurs de BlueBUS sans devoir respecter une polarité quelconque; chaque dispositif est reconnu individuellement car au cours de l'installation le système lui attribue une adresse univoque. À BlueBUS, on peut connecter par exemple: des photocellules, des dispositifs de sécurité, des boutons de comman

de, des voyants de signalisation, etc. La logique de commande de ROBUS350 reconnaît un par un tous les dispositifs connectés à travers une procédure de reconnaissance ad hoc et est en mesure de détecter de manière extrêmement sûre toutes les éventuelles anomalies. Pour cette raison, à chaque fois qu'on ajoute ou qu'on enlève un dispositif connecté à BlueBUS il faudra effectuer dans la logique la procédure de reconnaissance décrite dans le paragraphe "7.2.4 Reconnaissance d'autres dispositifs".

7.3.2) Entrée STOP

STOP est l'entrée qui provoque l'arrêt immédiat de la manœuvre suivi d'une brève inversion. On peut connecter à cette entrée des dispositifs avec sortie à contact normalement ouvert "NO", normalement fermé "NF" ou des dispositifs avec sortie à résistance constante 8,2kΩ, par exemple des barres palpeuses.

Comme pour BlueBUS, la logique reconnaît le type de dispositif connecté à l'entrée STOP durant la phase de reconnaissance (voir paragraphe "7.2.4 Reconnaissance d'autres dispositifs"); ensuite on a un STOP quand une variation quelconque se vérifie par rapport à l'état reconnu.

En adoptant certaines solutions on peut connecter à l'entrée STOP plus d'un dispositif, même de type différent:

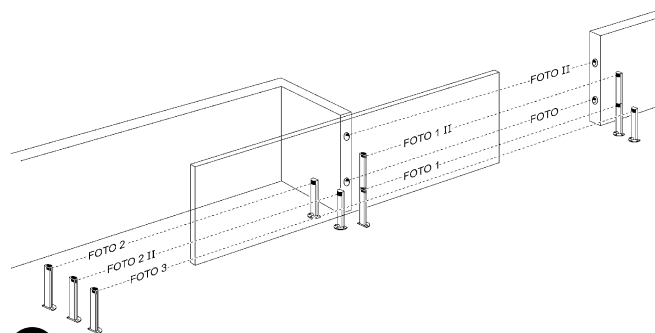
- Plusieurs dispositifs NO peuvent être connectés en parallèle entre eux sans aucune limite de quantité.
- Plusieurs dispositifs NF peuvent être connectés en parallèle entre eux sans aucune limite de quantité.

- Deux dispositifs avec sortie à résistance constante 8,2kΩ peuvent être connectés en parallèle; s'il y a plus de 2 dispositifs, tous doivent être connectés en "cascade" avec une seule résistance terminale de 8,2kΩ.
- Il est possible de combiner NO et NF en mettant les deux contacts en parallèle, en prenant la précaution de mettre en série au contact NF une résistance de 8,2kΩ (cela donne aussi la possibilité de combiner 3 dispositifs: NO, NF et 8,2kΩ).

⚠ Si l'entrée STOP est utilisée pour connecter des dispositifs ayant des fonctions de sécurité, seuls les dispositifs avec sortie à résistance constante 8,2kΩ garantissent la catégorie 3 de sécurité aux pannes selon la norme EN 954-1.

7.3.3) Photocellules

Le système "BlueBUS" permet, à travers l'adressage avec les cavaliers prévus à cet effet, la reconnaissance des photocellules de la part de la logique et d'attribuer la fonction de détection correcte. L'opération d'adressage doit être faite aussi bien sur TX que sur RX (en plaçant les cavaliers de la même manière) en vérifiant qu'il n'y a pas d'autres paires de photocellules ayant la même adresse. Dans un automatisme pour portails coulissants équipé de l'opérateur ROBUS350 il est possible d'installer les photocellules suivant les indications de la figure 22. Après l'installation ou l'enlèvement de photocellules, il faudra effectuer dans la logique la phase de reconnaissance comme le décrit le paragraphe "7.3.4 Reconnaissance d'autres dispositifs".



22

Tableau N°18: adresses des photocellules

Photocellule	Cavaliers	Photocellule	Cavaliers
PHOTO Photocellule extérieure h = 50 avec intervention en fermeture		PHOTO 2 Photocellule extérieure avec intervention en ouverture	
PHOTO II Photocellule extérieure h = 100 avec intervention en fermeture		PHOTO 2 II Photocellule intérieure avec intervention en ouverture	
PHOTO 1 Photocellule intérieure h = 50 avec intervention en fermeture		PHOTO 3 Photocellule unique qui couvre tout l'automatisme	
PHOTO 1 II Photocellule intérieure h = 100 avec intervention en fermeture		<p>⚠ l'installation de PHOTO 3 avec PHOTO II demande que la position des éléments qui composent la photocellule (TX-RX) respecte la recommandation donnée dans le manuel d'instructions des photocellules.</p>	

7.3.4) Reconnaissance d'autres dispositifs

Normalement la procédure de reconnaissance des dispositifs connectés à BlueBUS et à l'entrée STOP est effectuée durant la phase d'installation; toutefois si des dispositifs sont ajoutés ou enlevés, il est possible de refaire la reconnaissance en procédant de la manière suivante:

Tableau N°19: pour la reconnaissance d'autres dispositifs

	Exemple
1. Presser et maintenir enfoncées les touches [▲] et [Set]	
2. Relâcher les touches quand les led L1 et L2 commencent à clignoter très rapidement (au bout d'environ 3 s)	
3. Attendre quelques secondes que la logique termine la reconnaissance des dispositifs	
4. À la fin de la reconnaissance, les led L1 et L2 arrêteront de clignoter, la led STOP doit rester allumée, tandis que les led L1...L6 s'allumeront suivant l'état des fonctions ON-OFF auxquelles elles correspondent.	

⚠ **Après avoir ajouté ou enlevé des dispositifs, il faut effectuer de nouveau l'essai de l'automatisme suivant les indications du paragraphe "5.1 Essai".**

7.4) Fonctions particulières

7.4.1) Fonction "Ouvre toujours"

La fonction "Ouvre toujours" est une propriété de la logique de commande qui permet de commander toujours une manœuvre d'ouverture quand la commande de "Pas à Pas" a une durée supérieure à 2 secondes; c'est utile par exemple pour connecter à la borne P.P. le contact d'une horloge de programmation pour maintenir le portail

ouvert pendant une certaine plage horaire. Cette propriété est valable quelle que soit la programmation de l'entrée P.P. à l'exclusion de la programmation comme "Fermeture", voir paramètre "Fonction P.P." dans le tableau N°14.

7.4.2) Fonction "Manœuvre dans tous les cas"

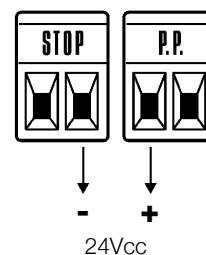
Si un dispositif de sécurité quelconque devait mal fonctionner ou tomber en panne, il est possible dans tous les cas de commander et de manœuvrer le portail en mode "Commande homme mort". Pour tout détail, voir le paragraphe "Commande avec sécurités hors

d'usage" présent dans les "Instructions et recommandations destinées à l'utilisateur de l'opérateur ROBUS"ci-jointes.

7.5) Connexion d'autres dispositifs

S'il est nécessaire d'alimenter des dispositifs extérieurs, par exemple un lecteur de proximité pour cartes transpondeur ou bien l'éclairage du sélecteur à clé, il est possible de prélever l'alimentation comme l'indique la figure 23.

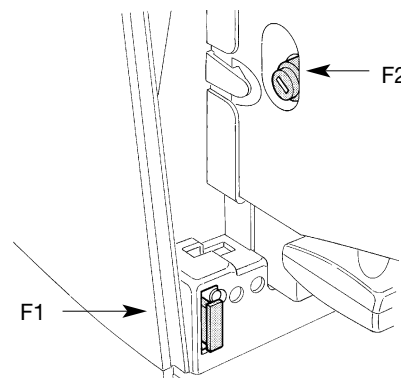
La tension d'alimentation est de 24 Vcc $-30\% \div +50\%$ avec courant maximum disponible de 100 mA.



23

7.6) Résolution des problèmes

Dans le tableau N°20 on peut trouver des indications utiles pour affronter les éventuels problèmes de fonctionnement pouvant se vérifier durant l'installation ou en cas de panne.



24

Tableau N°20: recherche des pannes

Symptômes	Vérifications conseillées
L'émetteur radio ne commande pas le portail et la led sur l'émetteur ne s'allume pas	Vérifier si les piles de l'émetteur sont usagées et les remplacer éventuellement.
L'émetteur radio commande pas le portail mais la led sur l'émetteur s'allume	Vérifier si l'émetteur est correctement mémorisé dans le récepteur radio
Aucune manœuvre n'est commandée et la led "BLUEBUS" ne clignote pas	Vérifier que ROBUS350 est alimenté à la tension de secteur à 230V. Vérifier si les fusibles sont grillés; si c'est le cas, identifier la cause de l'avarie et remplacer les fusibles par d'autres ayant les mêmes valeurs de courant et caractéristiques.
Aucune manœuvre n'est commandée et le clignotant est éteint.	Vérifier que la commande est effectivement reçue. Si la commande arrive à l'entrée PP la led "PP" correspondante doit s'allumer; si par contre on utilise l'émetteur radio, la led "Bluebus" doit faire deux clignotements rapides.
Aucune manœuvre n'est commandée et le clignotant fait quelques clignotements	Compter le nombre de clignotements et vérifier suivant les indications du tableau N°21
La manœuvre commence mais juste après on a une inversion.	La force sélectionnée pourrait être trop basse pour le type de portail. Vérifier s'il y a des obstacles et sélectionner éventuellement une force supérieure.
La manœuvre est effectuée régulièrement mais le clignotant ne fonctionne pas	Vérifier que durant la manœuvre la tension arrive à la borne FLASH du clignotant (comme il est intermittent, la valeur de tension n'est pas significative: environ 10-30 Vcc); si la tension arrive, le problème est dû à l'ampoule qui devra être remplacée par une autre de caractéristiques identiques; s'il n'y a pas de tension, il pourrait y avoir un problème de surcharge sur la sortie FLASH, vérifier qu'il n'y a pas de court-circuit sur le câble.
La manœuvre est effectuée régulièrement mais le voyant SCA (portail ouvert) ne fonctionne pas.	Vérifier le type de fonction programmée pour la sortie SCA (Tableau N°14). Quand le voyant devrait être allumé, vérifier que la tension arrive à la borne SCA (environ 24 Vcc); si la tension arrive, le problème est dû au voyant qui devra être remplacé par un autre de caractéristiques identiques; s'il n'y a pas de tension, il pourrait y avoir un problème de surcharge sur la sortie SCA, vérifier qu'il n'y a pas de court-circuit sur le câble.

7.7) Diagnostic signalisations

Certains dispositifs offrent directement des signalisations particulières à travers lesquelles il est possible de reconnaître l'état de fonctionnement ou l'éventuel problème.

7.7.1) Signalisations avec le clignotant

Durant la manœuvre, l'indicateur clignotant FLASH émet un clignotement toutes les secondes; quand des anomalies se vérifient, les clignotements sont plus brefs; les clignotements se répètent deux fois, à intervalles d'une seconde.

Tableau N°21: signalisations sur le clignotant FLASH

Clignotements rapides	Cause	ACTION
1 clignotement pause d'1 seconde 1 clignotement	Erreur sur le BlueBUS	Au début de la manœuvre, la vérification des dispositifs connectés à BLUEBUS ne correspond pas à ceux qui sont mémorisés durant la phase de reconnaissance. Il peut y avoir des dispositifs en panne, vérifier et remplacer; si des modifications ont été faites, il faut refaire la reconnaissance (7.3.4 Reconnaissance d'autres dispositifs).
2 clignotements pause d'1 seconde 2 clignotements	Intervention d'une photodétection	Au début de la manœuvre une ou plusieurs photodétections nient l'autorisation à la manœuvre, vérifier si elles sont occultées par un obstacle. Durant le mouvement il est normal qu'un obstacle soit présent.
3 clignotements pause d'1 seconde 3 clignotements	Intervention du limiteur de la "Force moteur"	Durant le mouvement, le portail a rencontré une friction plus forte; en vérifier la cause.
4 clignotements pause d'1 seconde 4 clignotements	Intervention de l'entrée de STOP	Au début de la manœuvre ou durant le mouvement, il y a eu une intervention de l'entrée de STOP; en vérifier la cause
5 clignotements pause d'1 seconde 5 clignotements	Erreur dans les paramètres internes de la logique électronique.	Attendre au moins 30 secondes et réessayer de donner une commande; si l'état persiste, il pourrait y avoir une panne grave et il faut remplacer la carte électronique
6 clignotements pause d'1 seconde 6 clignotements	La limite maximum du nombre de manœuvres à l'heure a été dépassée.	Attendre quelques minutes que le limiteur de manœuvres retourne sous la limite maximum
7 clignotements pause d'1 seconde 7 clignotements	Erreur dans les circuits électriques internes	Déconnecter tous les circuits d'alimentation pendant quelques secondes puis tenter de redonner une commande; si l'état persiste, il pourrait y avoir une panne grave et il faut remplacer la carte électronique

7.7.2) Signalisations sur la logique de commande

Dans la logique de ROBUS350 il y a une série de led qui peuvent donner chacune des signalisations particulières aussi dans le fonctionnement normal qu'en cas d'anomalie.

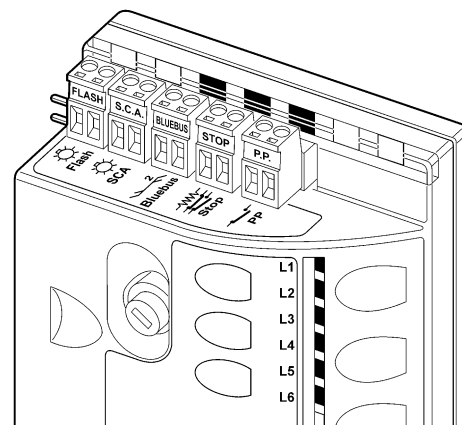


Tableau N°22: led sur les bornes de la logique

Led BLUEBUS	Cause	ACTION
Éteinte	Anomalie	Vérifier si l'alimentation arrive; vérifier si les fusibles sont intervenus; si c'est le cas, vérifier la cause de la panne et remplacer les fusibles par d'autres ayant les mêmes caractéristiques
Allumée	Anomalie grave	Il y a une anomalie grave; essayer d'éteindre la logique pendant quelques secondes; si l'état persiste, il y a une panne et il faut remplacer la carte électronique.
Un clignotement à la seconde	Tout est OK	Fonctionnement normal de la logique
2 clignotements rapides	Il y a eu une variation de l'état des entrées.	C'est normal quand il y a un changement de l'une des entrées: P.P., STOP, intervention des photodétections ou quand on utilise l'émetteur radio
Série de clignotements séparés par une pause d'une seconde	Diverses	C'est la même signalisation que celle du clignotant Voir le Tableau N°21
Led STOP	Cause	ACTION
Éteinte	Intervention de l'entrée de STOP	Vérifier les dispositifs connectés à l'entrée de STOP
Allumée	Tout est OK	Entrée STOP active
Led P.P.	Cause	ACTION
Éteinte	Tout est OK	Entrée PP non active
Allumée	Intervention de l'entrée de PP	C'est normal si le dispositif connecté à l'entrée PP est effectivement actif

Tableau N°23: led sur les touches de la logique

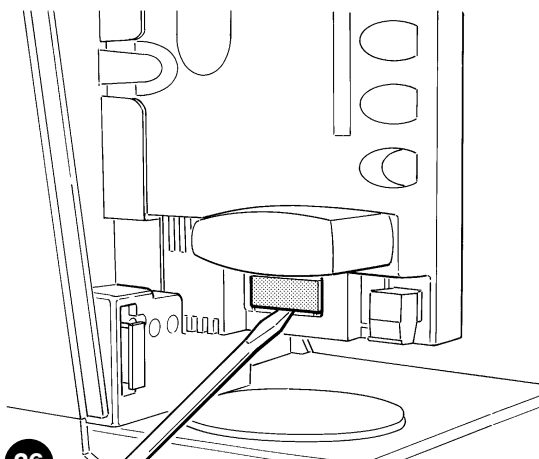
Led 1	Description
Éteinte	Durant le fonctionnement normal elle indique fonction "Fermeture automatique" non active
Allumée	Durant le fonctionnement normal elle indique fonction "Fermeture automatique" active
Clignote	<ul style="list-style-type: none"> • Programmation des fonctions en cours • Si elle clignote en même temps que L2 cela signifie qu'il faut effectuer la reconnaissance des dispositifs (voir paragraphe "4.3 Reconnaissance des dispositifs").
Led L2	Description
Éteinte	Durant le fonctionnement normal elle indique fonction "Refermeture immédiate près passage devant cellule" non active
Allumée	Durant le fonctionnement normal elle indique fonction "Refermeture immédiate après passage devant cellule" active
Clignote	<ul style="list-style-type: none"> • Programmation des fonctions en cours • Si elle clignote en même temps que L1 cela signifie qu'il faut effectuer la reconnaissance des dispositifs (voir paragraphe "4.3 Reconnaissance des dispositifs").
Led L3	Description
Éteinte	Durant le fonctionnement normal elle indique fonction "Ferme toujours" non active
Allumée	Durant le fonctionnement normal elle indique fonction "Ferme toujours" active
Clignote	<ul style="list-style-type: none"> • Programmation des fonctions en cours • Si elle clignote en même temps que L4 cela signifie qu'il faut effectuer la reconnaissance de la longueur du portail (voir paragraphe "4.4 Reconnaissance de la longueur du portail").
Led L4	Description
Éteinte	Durant le fonctionnement normal elle indique fonction "Stand-By" non active.
Allumée	Durant le fonctionnement normal elle indique fonction "Stand-By" active.
Clignote	<ul style="list-style-type: none"> • Programmation des fonctions en cours • Si elle clignote en même temps que L3 cela signifie qu'il faut effectuer la reconnaissance de la longueur du portail (voir paragraphe "4.4 Reconnaissance de la longueur du portail").
Led L5	Description
Éteinte	Durant le fonctionnement normal elle indique fonction "Démarrage" non active.
Allumée	Durant le fonctionnement normal elle indique fonction "Démarrage" active.
Clignote	Programmation des fonctions en cours
Led L6	Description
Éteinte	Durant le fonctionnement normal elle indique fonction "Préclignotement" non active.
Allumée	Durant le fonctionnement normal elle indique fonction "Préclignotement" active.
Clignote	Programmation des fonctions en cours

7.8) Accessoires

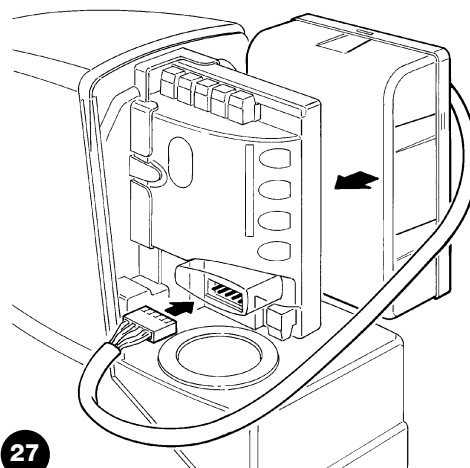
ROBUS350 peut être équipé des accessoires en option suivants:

- PS124 Batterie tampon 24 V - 1,2 Ah avec chargeur de batterie incorporé

Consulter le catalogue des produits Nice S.p.a. pour la liste complète et à jour des accessoires.



26



27

8) Caractéristiques techniques

Dans le but d'améliorer ses produits, Nice S.p.a. se réserve le droit de modifier les caractéristiques techniques à tout moment et sans préavis, en garantissant dans tous les cas le bon fonctionnement et le type d'utilisation prévus.

N.B.: toutes les caractéristiques techniques se réfèrent à la température de 20°C (±5°C)

Caractéristiques techniques: ROBUS350	
Typologie	Opérateur électromécanique pour le mouvement automatique de portails coulissants pour usage résidentiel avec logique électronique de commande incorporée
Pignon	Z: 15; Module: 4; Pas: 12,6 mm; Diamètre primitif: 60 mm
Couple maximum au démarrage	10 Nm; correspondant à la capacité de mettre en mouvement un portail avec friction statique jusqu'à 333 N
Couple nominal	6 Nm; correspond à la capacité de maintenir en mouvement un portail avec friction dynamique jusqu'à 200 N
Vitesse au couple nominal	0,18m/s
Vitesse à vide (la logique permet de programmer 6 vitesses égales à environ: 100, 85, 70, 55, 45, 30%)	0,34m/s
Fréquence maximum des cycles de fonctionnement	50 cycles/jour (la logique limite les cycles au maximum prévu dans les tableaux N°1 et N°2)
Temps maximum de fonctionnement continu	10 minutes (la logique limite le fonctionnement continu au maximum prévu dans les tableaux N°1 et N°2)
Limites d'utilisation	Généralement ROBUS350 est en mesure d'automatiser des portails d'un poids allant jusqu'à 350 kg ou d'une longueur allant jusqu'à 15 m et suivant les limites prévues dans les tableaux N°1 et N°2.
Alimentation ROBUS350	230Vac (+10% +15%) 50/60Hz.
Alimentation ROBUS350/V1	120Vac (+10% +15%) 50/60Hz.
Puissance maximum absorbée	250VA
Classe d'isolement	1 (la mise à la terre est nécessaire)
Alimentation de secours	Avec accessoire en option PS124
Sortie clignotant	1 clignotant LUCYB (Ampoule 12 V, 21W)
Sortie BLUEBUS	Une sortie avec charge maximum de 15 unités BlueBus
Entrée STOP	Pour contacts normalement fermés, normalement ouverts ou à résistance constante 8,2k Ω ; en auto-apprentissage (une variation par rapport à l'état mémorisé provoque la commande "STOP")
Entrée PP	Pour contacts normalement ouverts (la fermeture du contact provoque la commande P.P.)
Entrée ANTENNE Radio	52 Ω pour câble type RG58 ou similaires
Fonctions programmables	6 fonctions de type ON-OFF et 6 fonctions réglables (voir tableaux N° 12 et N° 14)
Fonctions en auto-apprentissage	Auto-apprentissage des dispositifs connectés à la sortie BlueBUS Auto-apprentissage du type de dispositif de "STOP"(contact NO, NF ou résistance 8,2k Ω) Auto-apprentissage de la longueur du portail et calcul des points de ralentissement et ouverture partielle
Température de fonctionnement	-20°C ÷ 50°C
Utilisation en atmosphère particulièrement acide ou saline ou potentiellement explosive	Non
Indice de protection	IP 44
Dimensions et poids	330 x 195 h 277; 8kg

Caractéristiques techniques	récepteur radio: SMXI	récepteur radio: SMXIS
Typologie	Récepteur à 4 canaux par radiocommande	
Fréquence	433.92MHz	
Codage	Numérique Rolling code à 52 Bit, type FLOR	Numérique Rolling code à 64 Bit, type SMILO
Compatibilité émetteurs	FLOR, VERY VR; seulement pour groupe homogène: ERGO, PLANO, PLANOTIME	SMILO
Émetteurs mémorisables	Jusqu'à 256 s'ils sont mémorisés en Mode I	
Impédance d'entrée	52 Ω	
Sensibilité	supérieure à 0,5 μ V	
Portée des émetteurs	De 100 à 150 m, cette distance peut varier en présence d'obstacles et de parasites électromagnétiques et elle est influencée par la position de l'antenne réceptrice	
Sorties	4 (sur connecteur SM)	
Température de fonctionnement	-10°C ÷ 55°C	

Caractéristiques techniques	émetteur: FLO2R-S	émetteur: SM2
Typologie	Émetteur à 2 canaux par radiocommande	
Fréquence	433.92MHz	
Codage	Numérique Rolling code à 52 Bit, type FLOR	Numérique Rolling code à 64 Bit, type SMILO
Touches	2	
Alimentation	12 Vcc avec pile type 23A	
Absorption	25mA	
Durée de la pile	1 an, estimée sur une base de 10 commandes/jour d'une durée d'1 s à 20°C (aux basses température l'efficacité de la pile diminue)	
Puissance irradiée	100 μ W	
Dimensions et poids	72 x 40 h 18mm / 30g	Diamètre 48 h 14 mm / 18 g
Indice de protection	IP 40 (utilisation à l'intérieur ou dans des milieux protégés)	
Température de fonctionnement	-40°C ÷ 85°C	

Félicitations pour avoir choisi un produit Nice pour votre automatisation ! Nice S.p.A. produit des composants pour l'automatisme de portails, portes, rideaux métalliques, volets roulants et stores: opérateurs, logiques de commande, radiocommandes, clignotants, photocellules et accessoires. Nice n'utilise que des matériaux et des usinages de qualité et par vocation, elle recherche des solutions innovantes qui simplifient au maximum l'utilisation de ses appareils, très soignés sur le plan de la technique, de l'esthétique et de l'ergonomie: dans la vaste gamme Nice, votre installateur aura choisi sans aucun doute le produit le plus adapté à vos exigences. Nice n'est toutefois pas le producteur de votre automatisme qui est en effet le résultat d'un travail d'analyse, évaluation, choix des matériaux et réalisation de l'installation, exécuté par votre installateur de confiance. Chaque automatisme est unique et seul votre installateur possède l'expérience et la compétence professionnelle nécessaires pour réaliser une installation répondant à vos exigences, sûre et fiable dans le temps et surtout, exécutée dans les règles de l'art et conforme par conséquent aux normes en vigueur. Une installation d'automatisation est une belle commodité ainsi qu'un système de sécurité valable; avec quelques attentions très simples, elle est destinée à durer dans le temps. Même si l'automatisme en votre possession satisfait le niveau de sécurité requis par les normes, cela n'exclut pas la persistance d'un "risque résiduel", c'est-à-dire la possibilité de situations de danger dues généralement à une utilisation inconsciente, voire erronée. C'est la raison pour laquelle nous désirons vous donner quelques conseils sur les comportements à adopter pour éviter tout inconvénient:

• **Avant d'utiliser** pour la première fois l'automatisme, faites-vous expliquer par l'installateur l'origine des risques résiduels et consacrez quelques minutes à la lecture du **manuel d'instructions et d'avertissements pour l'utilisateur** qui vous est remis par l'installateur. Conservez le manuel pour pouvoir le consulter pour n'importe quel doute futur et remettez-le à tout nouveau propriétaire de l'automatisme

• **Votre automatisme est un équipement qui exécute fidèlement vos commandes;** une utilisation inconsciente et incorrecte peut le rendre dangereux: ne commandez pas le mouvement de l'automatisme si des personnes, des animaux ou des objets se trouvent dans son rayon d'action.

• **Enfants:** une installation d'automatisation garantit un degré de sécurité élevé en empêchant avec ses systèmes de détection le mouvement en présence de personnes ou d'objets et en garantissant une activation toujours prévisible et sûre. Il est prudent toutefois d'éviter de laisser jouer les enfants à proximité de l'automatisme et pour éviter les activations involontaires, de ne pas laisser à leur portée les émetteurs qui commandent la manœuvre: **ce n'est pas un jeu!**

• **Anomalies:** si vous notez une anomalie quelconque dans le fonctionnement de l'automatisme, coupez l'alimentation électrique de l'installation et procédez au débrayage manuel. Ne tentez jamais de le réparer vous-même mais demandez l'intervention de votre installateur de confiance: dans l'intervalle, l'installation peut fonctionner comme un système non automatisé, après avoir débrayé l'opérateur suivant les indications données plus loin.

• **Maintenance:** comme toutes les machines, votre automatisme a besoin d'une maintenance périodique pour pouvoir fonctionner le plus longtemps possible et en toute sécurité. Établissez avec votre installateur un plan de maintenance périodique programmée; Nice conseille une intervention tous les 6 mois pour une utilisation domestique normale mais cette période peut varier en fonction de l'intensité d'utilisation. Toute intervention de contrôle, maintenance ou réparation doit être exécutée exclusivement par du personnel qualifié.

• Même si vous estimez en être capable, ne modifiez pas l'installation et les paramètres de programmation et de réglage de l'automatisme: la responsabilité en incombe à votre installateur.

• L'essai de fonctionnement final, les maintenances périodiques et les éventuelles réparations doivent être documentés par la personne qui s'en charge et les documents doivent être conservés par le propriétaire de l'installation.

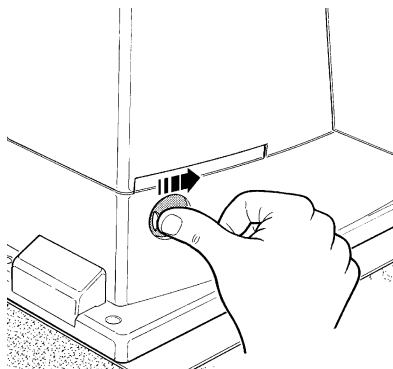
Les seules interventions que l'utilisateur peut et doit effectuer périodiquement sont le nettoyage des verres des photocellules et l'élimination des feuilles et des cailloux qui pourraient bloquer l'automatisme. Pour empêcher que quelqu'un puisse actionner le portail, avant de continuer, n'oubliez pas de débrayer l'automatisme (comme nous l'avons décrit) et d'utiliser pour le nettoyage uniquement un chiffon légèrement imbibé d'eau.

• **Mise au rebut.** À la fin de la vie de l'automatisme, assurez-vous que le démantèlement est effectué par du personnel qualifié et que les matériaux sont recyclés ou mis au rebut en respectant les normes locales en vigueur.

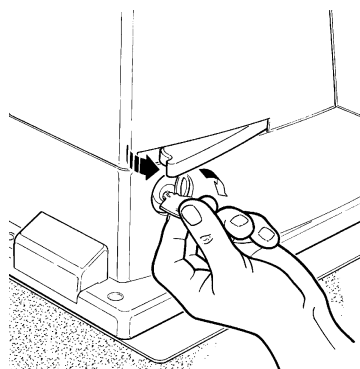
• **En cas de ruptures ou absence d'alimentation électrique.** En attendant l'intervention de votre installateur (ou le retour du courant si l'installation est dépourvue de batterie tampon), l'installation peut être actionnée comme n'importe quel autre système non automatisé. Pour cela, il faut effectuer le débrayage manuel: cette opération, qui est la seule pouvant être effectuée par l'utilisateur de l'automatisme), a fait l'objet d'une étude particulière de la part de Nice pour vous assurer toujours une utilisation extrêmement simple et aisée, sans aucun outil ou effort physique.

Débrayage et mouvement manuel: avant d'effectuer cette opération, faire attention au fait que le débrayage ne peut être fait que lorsque le portail est à l'arrêt.

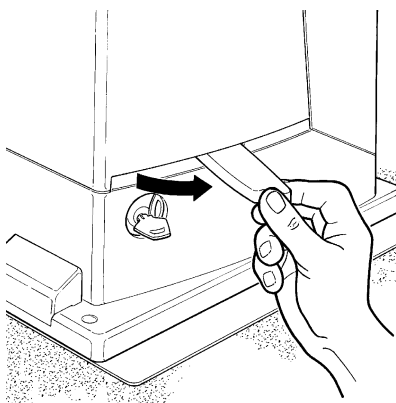
1 Faire coulisser le petit disque qui couvre la serrure



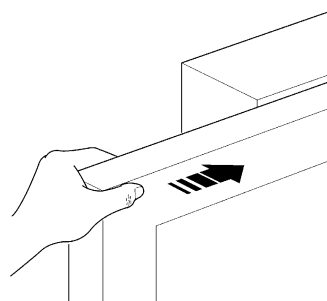
2 Introduire la clé et la tourner dans le sens des aiguilles d'une montre



3 Tirer la poignée de débrayage



4 Déplacer le portail à la main



Pour bloquer: effectuer les mêmes opérations dans le sens contraire

Commande avec sécurités hors service: Si les dispositifs de sécurité ne fonctionnent pas correctement ou sont hors service, on peut quand même commander le portail

- Actionner la commande du portail (avec la télécommande ou le sélecteur à clé). Si les sécurités donnent leur accord le portail s'ouvrira normalement, autrement: le clignotant émet quelques clignotements mais la manœuvre ne démarre pas (le nombre de clignotements dépend du motif pour lequel la manœuvre ne démarre pas).
- Maintenant, dans les 3 secondes, il faut **actionner** de nouveau la **commande** et la maintenir active
- Au bout d'environ 2 s le mouvement du portail commencera en mode "homme mort", c'est-à-dire que tant que la commande est maintenue, le portail continue sa manœuvre; dès que la commande est relâchée, le portail s'arrête.

⚠ Avec les sécurités hors service, il faut faire réparer au plus tôt l'automatisme.

Remplacement de la pile de l'émetteur: si votre installation est munie d'une radiocommande qui au

bout d'une certaine période présente des problèmes de fonctionnement ou ne fonctionne plus du tout, cela pourrait dépendre tout simplement du fait que la pile est usagée (suivant l'intensité d'utilisation, il peut s'écouler plusieurs mois jusqu'à plus d'un an). Vous pouvez vérifier cet état de chose si le voyant de confirmation de la transmission est faible, s'il ne s'allume plus du tout ou s'il ne s'allume qu'un bref instant. Avant de vous adresser à l'installateur, essayez de remplacer la pile en utilisant celle d'un autre émetteur qui fonctionne encore: si cette intervention remédie au problème, il vous suffit de remplacer la pile usagée par une neuve du même type.

Les piles contiennent des substances polluantes: ne pas les jeter à la poubelle mais suivre les règles de tri sélectif prévues par les réglementations locales.

Êtes-vous satisfait ? Si vous désirez équiper votre maison d'un nouvel automatisme, adressez-vous au même installateur et à Nice. Vous serez sûr de bénéficier ainsi, en plus du conseil d'un spécialiste et des produits les plus évolués du marché, également du meilleur fonctionnement et de la compatibilité parfaite des différents automatismes installés.

Nous vous remercions d'avoir lu ces recommandations et nous espérons que votre nouvelle installation vous donnera entière satisfaction: pour tout besoin présent ou futur, adressez-vous en toute confiance à votre installateur.

Robus350

Inhaltsverzeichnis

S.

1	Hinweise	69	7	Weitere Auskünfte	78
2	Produktbeschreibung und Einsatz	69	7.1	Programmierungstasten	78
2.1	Einsatzgrenzen	69	7.2	Programmierungen	78
2.2	Typische Anlage	70	7.2.1	Funktionen des ersten Niveaus (ON-OFF-Funktionen)	78
2.3	Kabelliste	70	7.2.2	Erstes Niveau – Programmierungen (ON-OFF-Funktionen)	79
3	Installation	70	7.2.3	Funktionen des zweiten Niveaus (einstellbare Parameter)	79
3.1	Überprüfungen Vorbereitungen	71	7.2.4	Programmierung zweiten Niveaus (einstellbare Parameter)	80
3.2	Befestigung des Toröffners	71	7.2.5	Erstes Niveau - Programmierungsbeispiel (ON-OFF-Funktionen)	80
3.3	Installation der verschiedenen Vorrichtungen	72	7.2.6	Zweites Niveau - Programmierungsbeispiel (einstellbare Parameter)	81
3.4	Elektrische Anschlüsse	72	7.3	Hinzufügen oder Entfernen von Vorrichtungen	81
3.5	Beschreibung der elektrischen Anschlüsse	73	7.3.1	BlueBUS	81
4	Endprüfungen und Anlassen	73	7.3.2	Eingang STOP	81
4.1	Auswahl der Richtung	73	7.3.3	Photozellen	82
4.2	Anschluss der Versorgung	74	7.3.4	Erlernung sonstiger Vorrichtungen	82
4.3	Erlernung der Vorrichtungen	74	7.4	Sonderfunktionen	82
4.4	Erlernung der Torlänge	74	7.4.1	Funktion "Öffnet Immer"	82
4.5	Überprüfung der Torbewegung	74	7.4.2	Funktion "Todmann"	82
4.6	Bereits programmierte Funktionen	74	7.5	Verbindung sonstiger Vorrichtungen	83
4.7	Speicherung der Funksender	75	7.6	Probleme und deren Lösungen	83
4.7.1	Speicherung, Modus I	75	7.7	Diagnose und Anzeigen	83
4.7.2	Speicherung, Modus II	75	7.7.1	Anzeigen durch die Blinkleuchte	84
4.7.3	Fernspeicherung	76	7.7.2	Anzeigen durch die Steuerun	84
4.7.4	Löschen der Funksender	76	7.8	Zubehör	85
4.7.5	Konformitätserklärung des Funkempfängers	76	8	Technische Merkmale	86
5	Endprüfung und Inbetriebsetzung	76		Anweisungen und Hinweise für den Benutzer des Toröffners ROBUS	87
5.1	Endprüfung	77			
5.2	Inbetriebsetzung	77			
6	Wartung und Entsorgung	77			
6.1	Wartung	77			
6.2	Entsorgung	77			

1) Hinweise

Die vorliegenden Anweisungen enthalten wichtige Sicherheitsinformationen für die Installation; vor der Installation alle Anweisungen lesen und dieses Handbuch auch für die Zukunft sorgfältig aufbewahren.

Unter Berücksichtigung der Gefahren, die bei Installation und Bedienung von ROBUS350 auftreten können, muss die Installation für größte Sicherheit unter voller Einhaltung von Gesetzen, Vorschriften und Verordnungen erfolgen. In diesem Kapitel sind Hinweise allgemeiner Art gegeben; weitere wichtige Hinweise befinden sich in den Kapiteln "3.1 Vorprüfungen"; "5 Endprüfung und Inbetriebsetzung".

⚠ Nach der neuesten europäischen Gesetzgebung, gehört die Realisierung einer automatischen Tür oder eines automatischen Tors zu den Verordnungen der Richtlinie 98/37/CE (Maschinenrichtlinie) und insbesondere zu den Vorschriften: EN 12445; EN 12453 und EN 12635, die es erlauben, die vermutliche Konformität zu erklären.

Weitere Auskünfte und Hinweise zur Analyse der Risiken und der Realisierung der Technischen Unterlagen stehen in www.niceforyou.com zur Verfügung.

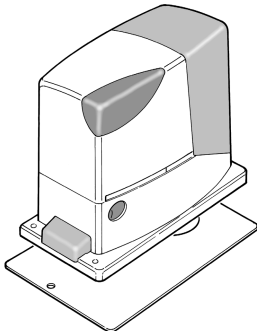
- Die vorliegende Anleitung ist nur für technisches Personal bestimmt, das für die Installation qualifiziert ist. Mit Ausnahme der Anlage „Anweisungen und Hinweise für den Benutzer des Toröffners ROBUS“, die der Installateur abtrennen muss, ist keine im vorliegenden Heft enthaltene Information als interessant für den Endbenutzer zu betrachten!
- Ein Gebrauch von ROBUS350, der anders als in diesen Anweisungen vorgesehen ist, ist verboten; Ein unsachgemäßer Gebrauch kann Gefahren und Personen- oder Sachschäden verursachen.
- Vor der Installation ist die Risikoanalyse auszuführen, welche die Liste der

wesentlichen Sicherheitsanforderungen, vorgesehen in Anlage I der Maschinenrichtlinie einschließen und die jeweiligen, angewendeten Lösungen angeben muss. Es wird daran erinnert, dass die Risikoanalyse einer der Unterlagen ist, die Bestandteil der „Technischen Dokumentation“ der Automatisierung sind.

- Je nach Einsatzbedingungen und vorhandenen Gefahren prüfen, ob weitere Vorrichtungen und Materialien erforderlich sind, um die Automatisierung mit ROBUS350 zu vervollständigen; berücksichtigt werden müssen zum Beispiel Aufprallgefahr, Quetsch- und Mitnehmgefahr usw. und sonstige Gefahren allgemein.
- Keine Änderungen an keinem Teil ausführen, falls nicht im vorliegenden Handbuch vorgesehen. Vorgänge dieser Art können nur Betriebsstörungen verursachen. NICE lehnt jegliche Haftung für Schäden aufgrund geänderter Produkte ab.
- Während Installation und Gebrauch vermeiden, dass Festteile oder Flüssigkeiten in die Steuerung und sonstige geöffnete Vorrichtungen eindringen können; wenden Sie sich ggf. an den NICE Kundendienst; der Gebrauch von ROBUS350 in solchen Situationen kann Gefahren verursachen.
- Der Automatismus darf erst verwendet werden, nachdem die Inbetriebsetzung ausgeführt wurde, wie in Punkt „5 Endprüfung und Inbetriebsetzung“ vorgesehen.
- Das Verpackungsmaterial von ROBUS350 muss unter voller Einhaltung der örtlichen Vorschriften entsorgt werden.
- Wenden ein Defekt mit den im vorliegenden Handbuch gegebenen Infos nicht beseitigt werden kann, wenden Sie sich bitte an den NICE Kundendienst.
- Wenn Automatikschalter oder Sicherungen ausgelöst werden, muss vor ihrer Rückstellung der Defekt festgestellt und beseitigt werden.
- Vor dem Zugriff auf die Klemmen im Deckel von ROBUS350, alle Kreisläufe der Versorgung abtrennen; falls die Abtrennvorrichtung nicht sichtbar ist, ein Schild mit der Aufschrift: "ACHTUNG – WARTUNG IM GANG" anbringen.

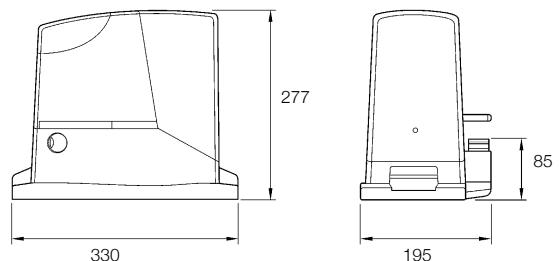
2) Produktbeschreibung und Einsatz

ROBUS350 ist ein elektromechanischer Toröffner für die automatische Bewegung von Schiebetoren an Wohngebäuden; er verfügt über eine elektronische Steuerung und einen Empfänger für Funksteuerungen. Die elektrischen Verbindungen zu den externen Vorrichtungen sind dank der Anwendung der "BlueBUS" Technik vereinfacht, mit der mehrere Vorrichtungen mit nur 2 Leitern angeschlossen werden können.



1

ROBUS350 funktioniert mit elektrischer Energie; bei Stromausfall kann die Entriegelung mit einem speziellen Schlüssel ausgeführt werden, so dass das Tor von Hand bewegt werden kann, oder man kann das Sonderzubehör Pufferbatterie PS124 verwenden, mit dem einige Bewegungen auch bei Netzstromausfall durchgeführt werden können.



2.1) Einsatzgrenzen

Die Leistungsdaten von ROBUS350 sind in Kapitel "8 Technische Merkmale" angegeben; sie ermöglichen als einzige Werte eine korrekte Bewertung der Eignung von ROBUS350.

Gewöhnlich ist ROBUS350 imstande, Tore mit einem Gewicht bis zu 350 Kg oder einer Länge bis 15 m zu automatisieren, je nach den Angaben in den Tabellen Nr. 1 und Nr. 2.

Aufgrund der Länge des Torflügels kann die Höchstzahl an Betriebszyklen pro Stunde und an aufeinanderfolgenden Zyklen bestimmt werden, wogegen man mit dem Gewicht den Reduzierungsprozentsatz der Zyklen und die zulässige Höchstgeschwindigkeit bestimmen kann; wenn der Torflügel z.B. 5 m lang ist, wären 10 Zyklen/Stunde und 6 aufeinanderfolgende Zyklen möglich, wenn der Torflügel jedoch 240 kg wiegt, müssen diese auf 80% reduziert werden, also 8 Zyklen/Stunde und ca. 5 aufeinanderfolgende Zyklen, wogegen die maximal zulässige Geschwindigkeit V5 ist, also sehr schnell. Um Überhitzungen zu vermeiden, sieht die Steuerung einen Begrenzer vor, der sich auf der

Anstrengung des Motors und der Dauer der Zyklen beruht und bei Überschreitung der Höchstgrenze anspricht.

Tabelle Nr. 1: Grenzen in Abhängigkeit von der Torflügelänge

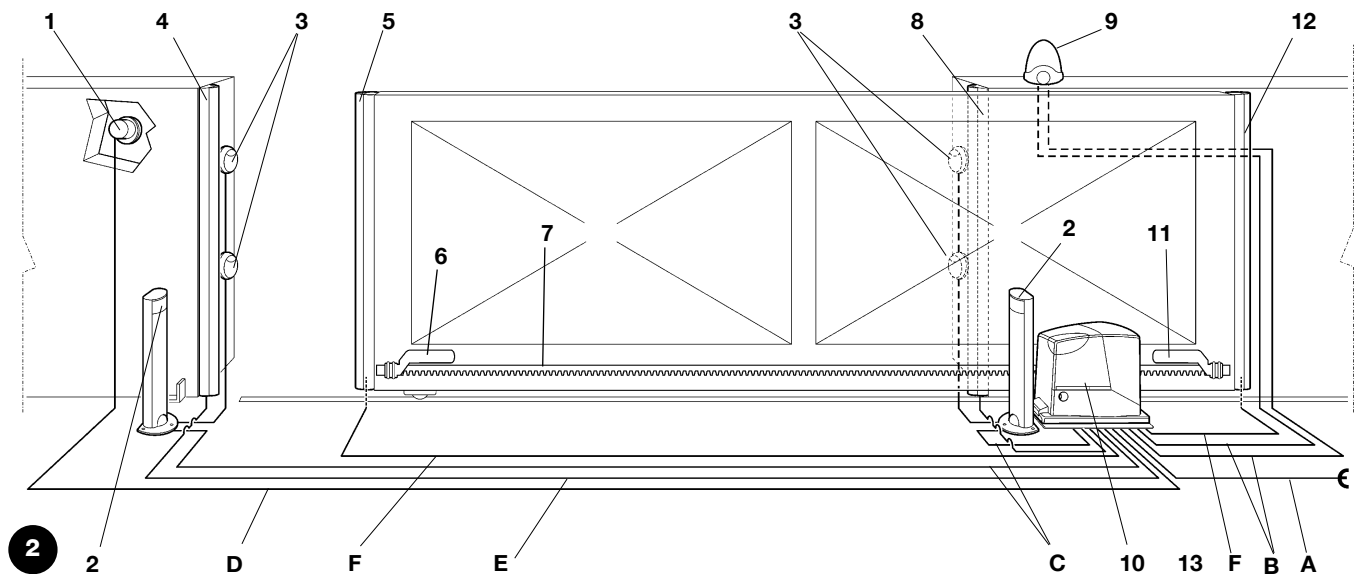
Torflügelänge in Metern	max. Zyklen/Stunde	max. aufeinanderfolgende Zyklen
bis zu 3	30	20
3÷5	18	12
5÷6	15	10
6÷7	12	8

Tabelle Nr. 2: Grenzen in Abhängigkeit vom Torflügelgewicht

Torflügelgewicht kg.	Prozentsatz an Zyklen	Zulässige Höchstgeschwindigkeit
Bis zu 200	100%	V6 = Sehr sehr schnell
200÷250	90%	V5 = Sehr schnell
250÷300	80%	V4 = Schnell
300÷350	70%	V3 = Mittel

2.2) Typische Anlage

In Abbildung 2 ist die typische Anlage einer Schiebetorautomatisierung mit ROBUS350 gezeigt.



- | | |
|--|---|
| 1 Schlüsseltaster | 8 Feste Nebenschaltleiste (Optional) |
| 2 Photozellen auf Standsäule | 9 Blinkleuchte mit eingebauter Antenne |
| 3 Photozellen | 10 ROBUS350 |
| 4 Feste Hauptschaltleiste (Optional) | 11 Bügel des Endschalters "Geschlossen" |
| 5 Bewegliche Hauptschaltleiste | 12 Bewegliche Nebenschaltleiste |
| 6 Bügel des Endschalters "Geöffnet" | 13 Funksender |
| 7 Blinkleuchte mit eingebauter Antenne | |

2.3) Kabelliste

In der typischen Anlage in Abbildung 2 sind auch die Kabel angegeben, die zur Verbindung der verschiedenen Vorrichtungen erforderlich sind; in Tabelle Nr. 3 sind die Merkmale der Kabel verzeichnet.

⚠ Die benutzten Kabel müssen für die jeweilige Installation geeignet sein; zum Beispiel wird ein Kabel des Typs H03VV-F zum Verlegen in Innenräumen empfohlen, oder des Typs H07RN-F für Außenanwendungen.

Tabelle Nr. 3: Kabelliste

Verbindung	Kabeltyp	Zulässige Höchstlänge
A: Elektrische Versorgungsleitung	Nr. 1 Kabel 3x1,5mm ²	30m (Anmerkung 1)
B: Blinkleuchte mit Antenne	Nr. 1 Kabel 2x0,5mm ²	20m
	Nr. 1 Abschirmkabel des Typs RG58	20m (kürzer als 5m wird empfohlen)
C: Photozellen	Nr. 1 Kabel 2x0,5mm ²	30m (Anmerkung 2)
D: Schlüsseltaster	Nr. 2 Kabel 2x0,5mm ² (Anmerkung 3)	50m
E: Feste Schaltleisten	Nr. 1 Kabel 2x0,5mm ² (Anmerkung 4)	30m
F: Bewegliche Schaltleisten	Nr. 1 Kabel 2x0,5mm ² (Anmerkung 4)	30m (Anmerkung 5)

Anmerkung 1: wenn das Versorgungskabel länger als 30 m ist, muss ein Kabel mit größerem Querschnitt benutzt werden, z.B. 3x2,5mm² und eine Sicherterdung in der Nähe der Automatisierung ist erforderlich.

Anmerkung 2: wenn das "BLUEBUS" Kabel länger als 30 m und bis zu max. 50m ist, muss ein Kabel 2x1mm² benutzt werden.

Anmerkung 3: die beiden Kabel 2x0,5mm² können mit nur einem Kabel 4x0,5mm² ersetzt werden.

Anmerkung 4: wenn mehr als eine Schaltleiste vorhanden ist, siehe das Kapitel "7.3.2 Eingang HALT" für die empfohlene Verbindung

Anmerkung 5: zur Verbindung der beweglichen Schaltleisten an Schiebetoren sind geeignete Vorrichtungen zu verwenden, welche die Verbindung auch bei sich bewegendem Torflügel ermöglichen.

3) Installation

⚠ Die Installation von ROBUS350 muss von qualifiziertem Personal unter genauester Beachtung der Gesetze, Vorschriften und Verordnungen und der Angaben in den vorliegenden Anweisungen ausgeführt werden.

3.1) Überprüfungen Vorbereitungen

Vor der Installation von ROBUS350 müssen folgende Kontrollen ausgeführt werden:

- Prüfen, dass das gesamte benutzte Material in bestem Zustand, für den Einsatz geeignet und mit den Vorschriften konform ist.
- Prüfen, dass die Struktur des Tors so ist, dass es automatisiert werden kann.
- Prüfen, dass sich Gewicht und Abmessungen des Torflügels innerhalb der Einsatzgrenzen in Kapitel "2.1 Einsatzgrenzen" befinden.
- Durch Vergleich mit den Werten in Kapitel "8 Technische Merkmale" prüfen, dass die statische Reibung (bzw. die zur Bewegung des Torflügels notwendige Kraft) kleiner als die Hälfte des "maximalen Drehmoments" ist, und dass die dynamische Reibung (bzw. die Kraft, die notwendig ist, um den Torflügel in Bewegung zu halten) kleiner als die Hälfte des "Nenn Drehmoments" ist; eine Spanne der Kräfte von 50% wird empfohlen, da schlechte Witterung die Reibungswerte erhöhen kann.
- Prüfen, dass entlang dem gesamten Lauf des Tors sowohl in Schließung als auch in Öffnung keine größeren Reibungen anliegen.
- Prüfen, dass der Torflügel nicht ausgleiten und nicht aus den Führungen treten kann.
- Die Robustheit der mechanischen Überlaufanschläge kontrollieren und prüfen, dass keine Verformungen erfolgen, auch wenn der Torflügel heftig auf diese aufprallen sollte.
- Prüfen, dass der Torflügel im Gleichgewicht ist: er darf sich nicht bewegen, wenn er in beliebiger Stellung stehen bleibt.
- Prüfen, dass sich der Bereich, in dem der Toröffner befestigt wird, nicht überschwemmen kann; den Toröffner ggf. über dem Boden installieren.

- Prüfen, dass die Entriegelung und eine leichte und sichere Bewegung von Hand des Torflügels im Befestigungsbereich des Toröffners möglich sind.
- Prüfen, ob sich die Befestigungsstellen der verschiedenen Vorrichtungen in stoßgeschützten Bereichen befinden und ob die Oberflächen ausreichend solide sind.
- Elemente des Automatismus sollten nicht in Wasser oder andere Flüssigkeit getaucht werden.
- ROBUS350 nicht in der Nähe von Wärmequellen oder Flammen oder in EX-gefährdeter, salz- oder säurehaltiger Umgebung halten; dies kann Schäden und Betriebsstörungen an ROBUS350 sowie Gefahren verursachen.
- Sollte der Torflügel eine Eingangstür haben oder sich eine Tür im Bewegungsbereich des Torflügels befindet, ist sicher zu stellen, dass diese den normalen Lauf des Tors nicht behindert; ggf. für ein geeignetes Verblockungssystem sorgen.
- Die Steuerung an eine elektrische Versorgungsleitung mit Sicherheitserdung anschließen.
- Die elektrische Versorgungsleitung muss durch eine geeignete magnetothermische Differentialvorrichtung geschützt sein.
- In die Versorgungsleitung vom Stromnetz muss eine Abtrennvorrichtung der Versorgung eingeschaltet werden (mit Überspannungsklasse III bzw. mindestens 3,5 mm Abstand zwischen den Kontakten), oder ein anderes gleichwertiges System, zum Beispiel eine Steckdose mit jeweiligem Stecker. Falls sich die Abtrennvorrichtung nicht in der Nähe der Automatisierung befindet, muss ein Sperrsystem gegen nicht beabsichtigten und nicht genehmigten Anschluss vorgesehen werden. *contro la connessione non intenzionale o non autorizzata.*

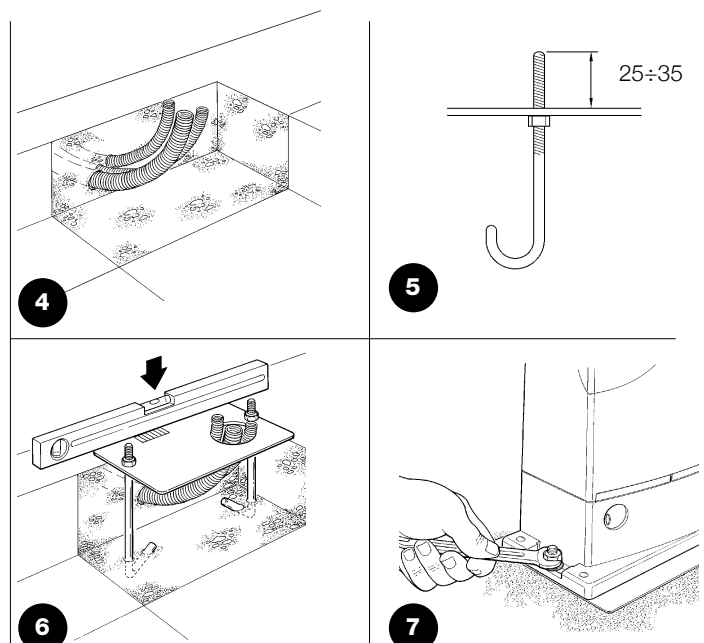
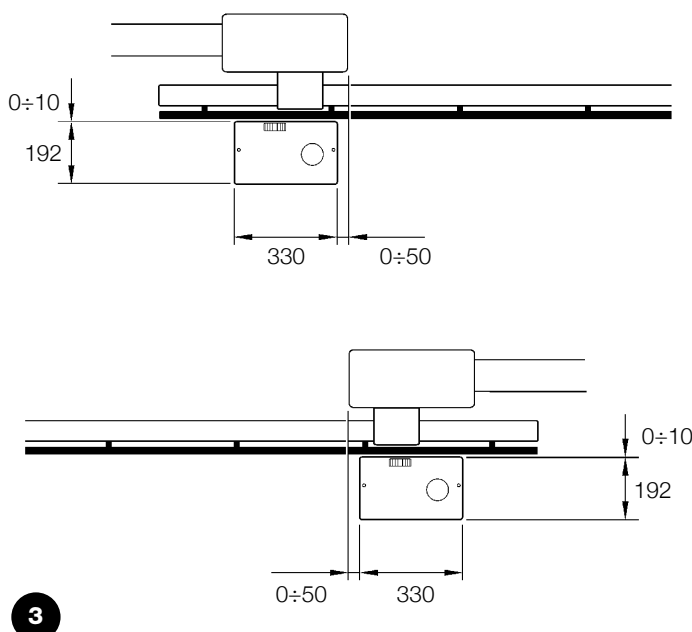
3.2) Befestigung des Toröffners

Falls die Befestigungsfläche bereits vorhanden ist, muss der Toröffner mit geeigneten Mitteln wie z.B. Spreizdübel direkt auf der Oberfläche befestigt werden. Andernfalls, zur Befestigung des Toröffners:

1. Für das Fundament eine entsprechend große Grube ausgraben, mit Bezugnahme auf die Maße in Abbildung 3.
2. Ein oder mehrere Rohre zum Durchführen der Stromkabel vorbereiten, gemäß Abbildung 4.
3. Die beiden Spreizbeine an die Fundamentplatte montieren; hierbei eine Mutter unter und eine über der Platte anbringen; die Mutter unter der Platte muss bis Gewindeende angeschraubt werden, so dass das Gewindeteil ca. 25÷35mm über der Platte her-

ausragt.

4. Den Beton eingießen und die Fundamentplatte bevor der Beton hart wird, nach den Maßen in Abbildung 3 darin anbringen und prüfen, dass sie parallel zum Torflügel und einwandfrei nivelliert ist. Warten, bis der Beton ganz hart ist.
5. Die beiden Muttern über der Platte abschrauben, dann den Toröffner darauf legen und prüfen, dass er zum Torflügel ganz parallel ist, dann die beiden Muttern und die Unterlegscheiben etwas anschrauben, wie in Abbildung 7 gezeigt.

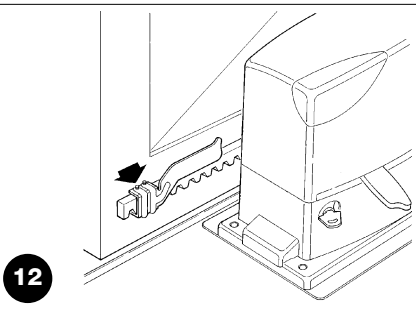
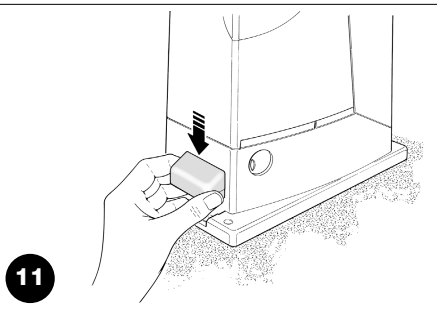
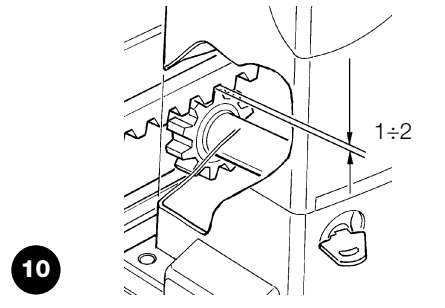
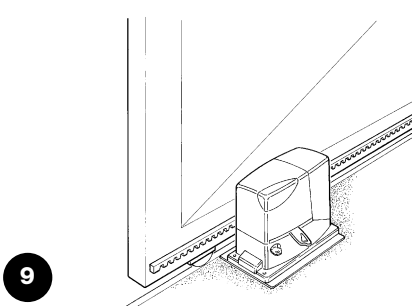
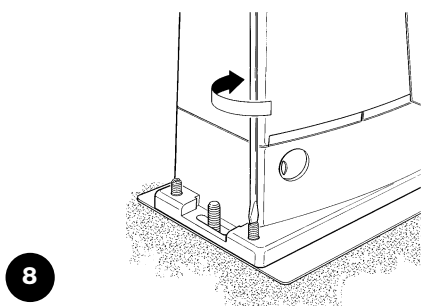


Falls die Zahnstange bereits vorhanden ist, nach der Befestigung des Toröffners die Verstellstifte betätigen, wie in Abbildung 8 gezeigt, um das Ritzel von ROBUS350 auf die richtige Höhe zu bringen und 1÷2 mm Spiel von der Zahnstange zu lassen.

Andernfalls, für die Befestigung der Zahnstange wie folgt vorgehen:

6. Den Toröffner entriegeln, wie in "Entriegelung und Bewegung von Hand" im Kapitel "Anweisungen und Hinweise für den Benutzer des Toröffners ROBUS" angegeben.

7. Den Torflügel ganz öffnen, das erste Teil der Zahnstange auf das Ritzel legen und prüfen, dass der Anfang der Zahnstange mit dem Anfang des Torflügels übereinstimmt, gemäß Abbildung 9. Prüfen, dass ein Spiel von 1÷2 mm zwischen Ritzel und Zahnstange vorhanden ist, dann die Zahnstange mit geeigneten Mitteln am Torflügel befestigen.



⚠ Um zu vermeiden, dass das Gewicht des Torflügels auf dem Toröffner liegt, muss zwischen Zahnstange und Ritzel ein Spiel von 1÷2 mm vorhanden sein, wie in Abbildung 10.

8. Den Torflügel gleiten lassen und zur Befestigung der anderen Zahnstangenteile immer Bezug auf das Ritzel nehmen.

9. Das überschüssige Teil am Ende der Zahnstange wegschneiden.

10. Versuchen, den Torflügel mehrmals in Öffnung zu bewegen, dabei prüfen, dass die Zahnstange mit einer maximalen Nichtfluchtung von 5 mm gut ausgerichtet auf dem Ritzel gleitet und dass in der gesamten Länge das Spiel von 1÷2 mm zwischen Ritzel und Zahnstange vorhanden ist.

11. Die Befestigungsmuttern des Toröffners energisch anziehen, so dass dieser gut am Boden befestigt ist; die Befestigungsmuttern mit den dazu vorgesehenen Kappen bedecken, gemäß Abbildung 11.

12. Die Endschalterbügel "Öffnung" und "Schließung" mit den jeweiligen Stiftschrauben an den Außenseiten der Zahnstange befestigen, wie in Abbildung 12. Berücksichtigen, dass der Torflügel bei Auslösung der Endschalter noch ca.2-3cm weitergleiten wird, daher die Endschalterbügel etwas von den mechanischen Endanschlägen entfernt anbringen.

13. Den Toröffner wie in Punkt "Entriegelung und Bewegung von Hand" im Kapitel "Anweisungen und Hinweise für den Benutzer des Toröffners ROBUS" angegeben blockieren.

3.3) Installation der verschiedenen Vorrichtungen

Die Installation der anderen vorgesehenen Vorrichtungen nach den jeweiligen Anweisungen ausführen. In Punkt "3.5 Beschreibung der elektrischen Anschlüsse" und in Abbildung 2 die Vorrichtungen überprüfen, die an ROBUS350 angeschlossen werden können.

3.4) Elektrische Anschlüsse

⚠ Alle elektrischen Anschlüsse müssen ohne Spannung zur Anlage und mit abgetrennter, eventueller Pufferbatterie ausgeführt werden.

1. Um den Schutzdeckel zu entfernen und Zugang zur elektronischen Steuerung von ROBUS350 zu erhalten, muss die Schraube seitlich entfernt und der Deckel nach oben herausgezogen werden.

2. Die Gummimembrane entfernen, mit der das Loch für den Kabeldurchgang geschlossen ist, und alle Verbindungskabel zu den verschiedenen Vorrichtungen einführen, dabei die Kabel 20÷30 cm länger als notwendig lassen. Siehe die Tabelle Nr. 3 für den Kabeltyp und die Abbildung 1 für die Anschlüsse.

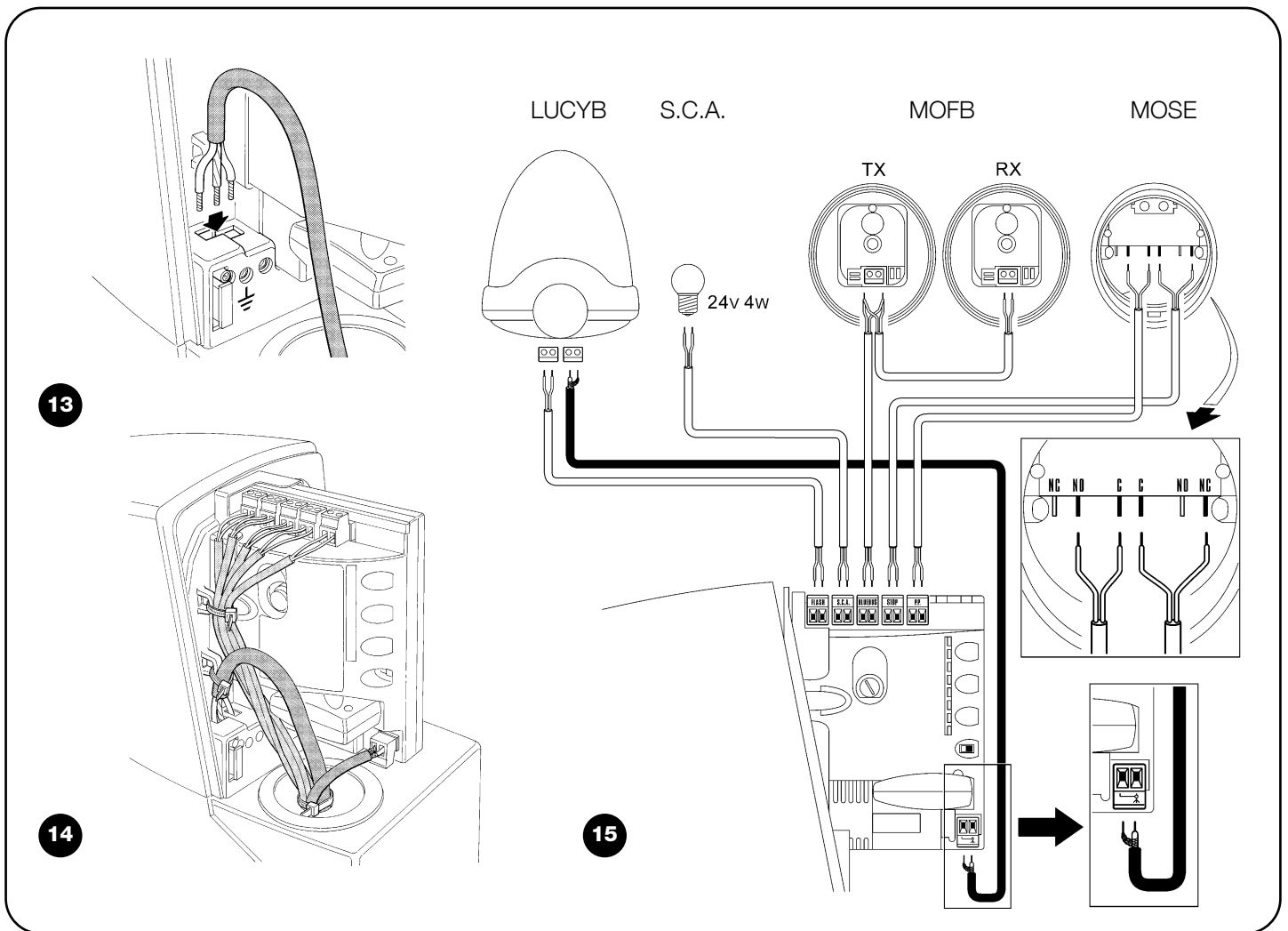
3. Alle Kabel, die in den Toröffner eintreten, mit einer Schelle vereinigen. Die Schelle gleich unter dem Loch für den Kabeldurchgang anbringen. An der Gummimembrane ein Loch schneiden, dessen

Durchmesser etwas kleiner als der Durchmesser der vereinten Kabel ist, dann die Membrane entlang den Kabeln bis zur Schelle einstecken und die Membrane wieder in ihren Sitz am Loch des Kabeldurchgangs einspannen. Die Kabel gleich über der Membrane mit einer zweiten Schelle vereinigen.

4. Das Versorgungskabel an der jeweiligen Klemme anschließen, wie in Abbildung 13 gezeigt, dann das Kabel am ersten Kabelhalterung mit einer Schelle blockieren.

5. Die Anschlüsse der anderen Kabel nach dem Plan in Abbildung 15 ausführen. Der Einfachheit wegen können die Klemmen abgezogen werden.

6. Die vereinten Kabel nach Beendigung der Anschlüsse mit Schellen am zweiten Kabelhalterung blockieren; das überschüssige Teil des Antennenkabels muss mit einer weiteren Schelle an den anderen Kabeln blockiert werden, gemäß Abbildung 14.



D

3.5) Beschreibung der elektrischen Anschlüsse

Dieser Paragraph enthält eine kurze Beschreibung der elektrischen Anschlüsse; für weitere Auskünfte wird auf Punkt o "7.3 Hinzufügen oder Entfernen von Vorrichtungen" verwiesen.

FLASH: Ausgang für Blinkleuchte des Typs "LUCYB" oder ähnliche nur mit 12 V Lampe, max. 21W.

S.C.A.: Ausgang für "Kontrolllampe Tor Geöffnet"; es kann eine 24 V Kontrolllampe max. 4 W angeschlossen werden

BLUEBUS: an dieser Klemme können kompatible Vorrichtungen angeschlossen werden; alle Vorrichtungen werden mit nur zwei Leitern für die Stromversorgung und die Kommunikationssignale parallel geschaltet. Weitere Auskünfte über BlueBUS sind in Punkt "7.3.1 BlueBUS" enthalten.

STOP: Eingang für Vorrichtungen, welche die laufende Bewegung blockieren oder ggf. anhalten; mit entsprechenden Maßnahmen am Eingang können „gewöhnlich geschlossene“ und „gewöhnlich geöffnete“ Kontakte oder Vorrichtungen mit gleichbleibendem Widerstand angeschlossen werden. Weitere Auskünfte über STOP sind in Punkt "7.3.2 Eingang STOP" enthalten.

P.P.(Schrittbetrieb): Eingang für Vorrichtungen, welche die Bewegung steuern; es können „gewöhnlich geöffnete“ Kontakte angeschlossen werden.

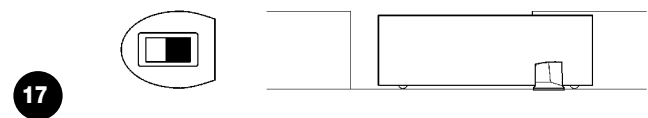
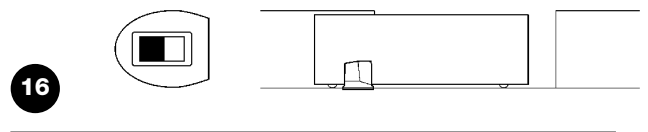
ANTENNA: Eingang für den Anschluss der Antenne für den Funkempfänger (die Antenne ist in LUCY B eingebaut).

4) Endprüfungen und Anlassen

Vor Beginn der Überprüfung und des Anlassens der Automatisierung sollte das Tor auf Laufhälfte verschoben werden, so dass es sich in Öffnung und Schließung frei bewegen kann.

4.1) Auswahl der Richtung

Je nachdem, wie der Toröffner am Torflügel angebracht ist, muss die Richtung der Öffnungsbewegung gewählt werden. Falls sich der Torflügel zum Öffnen nach links bewegen muss, den Wählschalter nach links verschieben, wie in Abbildung 16, falls er sich zum Öffnen nach rechts bewegen muss, den Wählschalter nach rechts verschieben, wie in Abbildung 17.



4.2) Anschluss der Versorgung

⚠ der Anschluss der Versorgung zum ROBUS350 muss von erfahreinem Fachpersonal mit den erforderlichen Kenntnissen und unter voller Einhaltung von Gesetzen, Vorschriften und Verordnungen ausgeführt werden.

Sobald ROBUS350 mit Spannung versorgt ist, sollten einige einfache Überprüfungen ausgeführt werden:

1. Prüfen, ob die LED BLUEBUS regelmäßig einmal pro Sekunde blinkt.
2. Prüfen, ob auch die LEDs an den Photozellen blinken (an TX und an RX); wie die LEDs blinken, ist unwichtig und auf andere Ursachen zurückzuführen.

3. Prüfen, ob die am Ausgang FLASH angeschlossene Blinkleuchte und die am Ausgang S.C.A. angeschlossene Kontrolllampe ausgeschaltet sind.

Falls nicht alles obige erfolgt, die Versorgung zur Steuerung unverzüglich abschalten und die elektrischen Anschlüsse genauer überprüfen. Weitere nützliche Hinweise für die Suche und Diagnose der Defekte finden Sie auch in Kapitel "7.6. Probleme und deren Lösungen"

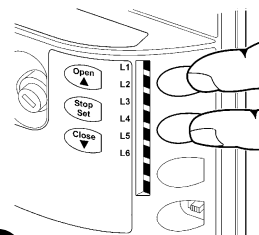
4.3) Erlernung der Vorrichtungen

Nach dem Anschluss der Versorgung muss die Steuerung die Vorrichtungen erlernen, die an den Eingängen BLUEBUS und STOP angeschlossen sind. Vor dieser Phase blinken die LEDs L1 und L2

und geben somit an, dass die Erlernung der Vorrichtungen ausgeführt werden muss.

1. Auf die Tasten **[▲]** und **[Set]** drücken und gedrückt halten
2. Die Tasten loslassen, wenn die LEDs L1 und L2 sehr schnell zu blinken beginnen (nach ca. 3s)
3. Ein paar Sekunden warten, bis die Steuerung die Erlernung der Vorrichtungen beendet
4. 8. Am Ende der Erlernung muss die LED STOP eingeschaltet bleiben, wogegen die LEDs L1 und L2 erlöschen werden (eventuell werden die LEDs L3 und L4 zu blinken beginnen).

Die Erlernung der angeschlossenen Vorrichtungen kann jederzeit auch nach der Installation wiederholt werden, wenn zum Beispiel eine Vorrichtung hinzugefügt wird. Um eine neue Erlernung auszuführen, siehe Punkt "7.3.4 Erlernung sonstiger Vorrichtungen"



18

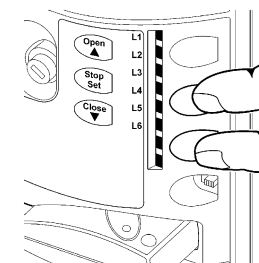
4.4) Erlernung der Torlänge

Nach der Erlernung der Vorrichtungen werden die LEDs L3 und L4 zu blinken beginnen. Das bedeutet, dass die Steuerung die Länge des Torflügels erkennen muss (Abstand zwischen Endschalter in

Schließung und Endschalter in Öffnung). Dieses Maß ist für die Berechnung der Stellen notwendig, an denen die Verlangsamung und die Teilöffnung erfolgen soll.

1. Auf die Tasten **[▼]** und **[Set]** drücken und gedrückt halten
2. Die Tasten loslassen, wenn die Bewegung beginnt (nach ca. 3 s)
3. Prüfen, dass die laufende Bewegung eine Öffnungsbewegung ist, andernfalls auf Taste **[Stop]** drücken und Punkt "4.1 Auswahl der Richtung" genauer kontrollieren; dann ab Punkt 1 wiederholen.
4. Warten, bis die Steuerung die Öffnungsbewegung bis zum Endschalter in Öffnung durchgeführt hat; gleich danach beginnt die Schließbewegung.
5. Warten, bis die Steuerung die Schließbewegung durchgeführt hat.

Falls nicht alles obige erfolgt, die Versorgung zur Steuerung unverzüglich abschalten und die elektrischen Anschlüsse genauer überprüfen. Weitere nützliche Hinweise finden Sie auch in Kapitel "7.6 Probleme und deren Lösungen".



19

4.5) Überprüfung der Torbewegung

Nach der Erlernung der Torflügelänge sollten einige Bewegungen ausgeführt werden, um zu prüfen, ob die Torbewegung korrekt ist.

1. Auf Taste **[Open]** drücken, um den Befehl für die Bewegung "Öffnet" zu erteilen; prüfen, ob die Toröffnung regelmäßig und ohne Geschwindigkeitsschwankungen erfolgt; erst wenn sich der Torflügel zwischen 70 und 50 cm vom Endschalter in Öffnung befindet, muss es verlangsamen und aufgrund der Auslösung des Endschalters 2÷3 cm vom mechanischen Endschlag in Öffnung entfernt anhalten.
2. Auf Taste **[Close]** drücken, um den Befehl für die Bewegung "Schließt" zu erteilen; prüfen, ob die Torschließung regelmäßig und ohne Geschwindigkeitsschwankungen erfolgt; erst wenn sich der Torflügel zwischen 70 und 50 cm vom Endschalter in Schließung befindet, muss es verlangsamen und aufgrund der Auslösung des

Endschalters 2÷3 cm vom mechanischen Endschlag in Schließung entfernt anhalten.

3. Während der Bewegungen prüfen, dass die Blinkleuchte das Blinken intermittierend alle 0,5 s ausführt (0,5 s ein und 0,5 s aus). Falls vorhanden, auch das Blinken der an Klemme SCA angeschlossenen Kontrolllampe kontrollieren: langsames Blinken in Öffnung und schnell in Schließung.
4. Verschiedene Öffnungs- und Schließbewegungen ausführen, um eventuelle Montage- und Einstellfehler oder andere Störungen wie zum Beispiel Stellen mit stärkerer Reibung aufzufinden.
5. Prüfen, dass die Befestigung des Toröffners ROBUS350, der Zahnstange und der Endschalterbügel auch nach plötzlichen Beschleunigungen oder Verlangsamungen der Torbewegung solide, stabil und genügend widerstandsfähig ist.

4.6) Bereits programmierte Funktionen

Die Steuerung von ROBUS350 verfügt über einige programmierbare Funktionen. Werkseitig sind diese Funktionen so konfiguriert, dass sie den Bedarf der meisten Automatisierungen zufrieden stellen

müssten; sie können aber über ein entsprechendes Programmierverfahren jederzeit geändert werden – siehe hierzu Punkt "7.2 Programmierungen".

4.7) Speicherung der Funksender

Für die Fernsteuerung von ROBUS350 ist an der Steuerung der Steckverbinder SM für Funkempfänger des Typs SMXI oder SMXIS vorgesehen (siehe Abb. 20); jeder Funksender wird vom diesem Empfänger durch einen „Code“ erkannt, der anders als der Code jedes anderen Senders ist. Daher ist eine „Speicherungsphase“ notwendig, in der man den Empfänger darauf vorbereitet, jeden einzelnen Sender zu erkennen. Die Speicherung der Sender kann auf zwei verschiedene Arten erfolgen:

Modus I: Bei dieser Speicherart ist die Funktion der Sendertasten fest und jeder Taste entspricht in der Steuerung der in Tabelle Nr. 4 angegebene Befehl. Für jeden Sender führt man nur eine Speicherphase aus, bei der alle Tasten gespeichert werden. In dieser Phase ist es unwichtig, welche Taste man drückt, und es wird nur ein Speicherplatz belegt. Im Modus I kann ein Sender gewöhnlich nur eine Automatisierung steuern. Tabelle Nr. 4: Speicherung im Modus I.

Modus II: in diesem Modus kann jeder einzelnen Sendertaste einer der vier möglichen Befehle der Steuerung, angegeben in Tabelle Nr. 5 zugeteilt werden; in jeder Phase wird nur eine Taste gespeichert, genauer gesagt jene, die während der Speicherphase gedrückt wird. Im Speicher wird für jede gespeicherte Taste ein Platz belegt.

Im Modus II können die verschiedenen Tasten desselben Senders benutzt werden, um derselben Automatisierung mehrere Befehle zu erteilen oder um mehrere Automatisierungen zu steuern. Zum Beispiel wird in Tabelle Nr. 6 nur die Automatisierung „A“ gesteuert und die Tasten T3 und T4 sind demselben Befehl zugeteilt, oder im Beispiel in Tabelle 7 werden drei Automatisierungen gesteuert: „A“ (Tasten T1 und T2), „B“ (Taste T3) und „C“ (Taste T4).

⚠ Da die Speicherverfahren eine Zeitgrenze von 10 s haben, die Anweisungen in den nächsten Punkten vor den Speicherungen lesen und die letzteren erst danach ausführen.

Tabelle Nr. 4: Speicherung im Modus I

Taste T1	Befehl „Schrittbetrieb“
Taste T2	Befehl „Gehflügelöffnung“
Taste T3	Befehl „Öffnet“
Taste T4	Befehl „Schließt“

Anmerkung: die einkanaligen Sender verfügen nur über die Taste T1, die zweikanaligen Sender verfügen nur über die Tasten T1 und T2.

Tabelle Nr. 5: im Modus II zur Verfügung stehende Befehle

N°1	Befehl „Schrittbetrieb“
N°2	Befehl „Gehflügelöffnung“
N°3	Befehl „Öffnet“
N°4	Befehl „Schließt“

Tabelle Nr. 6: 1. Speicherbeispiel im Modus II

Taste T1	Befehl „Öffnet“	Automatisierung A
Taste T2	Befehl „Schließt“	Automatisierung A
Taste T3	Befehl „Gehflügelöffnung“	Automatisierung A
Taste T4	Befehl „Gehflügelöffnung“	Automatisierung A

Tabelle Nr. 7: 2. Speicherbeispiel im Modus II

Taste T1	Befehl „Öffnet“	Automatisierung A
Taste T2	Befehl „Schließt“	Automatisierung A
Taste T3	Befehl „Schrittbetrieb“	Automatisierung B
Taste T4	Befehl „Schrittbetrieb“	Automatisierung C

4.7.1) Speicherung, Modus I

20

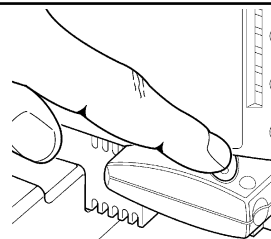


Tabelle Nr. 8: zum Speichern eines Senders im Modus I

	Beispiel
1. Auf die kleine Taste am Empfänger drücken und gedrückt halten (ca. 3 s lang)	3s
2. Die Taste loslassen, wenn die LED am Empfänger aufleuchtet	
3. Innerhalb von 10 s mindestens 2 s auf eine beliebige Taste des zu speichernden Funksenders drücken	2s
4. Die LED am Empfänger wird 3 Mal blinken, falls die Speicherung erfolgreich war	x3

Zur Speicherung weiterer Sender, Schritt 3 innerhalb weiterer 10 s wiederholen. Die Speicherphase wird automatisch beendet, falls innerhalb von 10 s keine neuen Codes erhalten werden.

4.7.2) Speicherung, Modus II

Tabelle Nr. 9: zum Speichern der Taste eines Senders im Modus II

	Beispiel
1. Auf die kleine Taste am Empfänger sooft drücken, wie der gewünschte Steuerbefehl ist – siehe Tabelle Nr. 5	1...4
2. Prüfen, ob die LED am Empfänger sooft blinkt, wie der gewählte Steuerbefehl ist.	1...4
3. Innerhalb von 10s mindestens 2s auf die gewünschte Taste des zu speichernden Funksenders drücken	2s
4. Die LED am Empfänger wird 3 Mal blinken, falls die Speicherung erfolgreich war.	x3

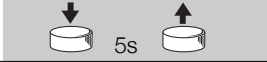


Zur Speicherung weiterer Sender für den gleichen Steuerbefehl, Schritt 3 innerhalb weiterer 10s wiederholen. Die Speicherphase wird automatisch beendet, falls innerhalb von 10s keine neuen Codes erhalten werden.

4.7.3) Fernspeicherung

Ein neuer Sender kann auch ohne direkte Betätigung der kleinen Taste am Empfänger gespeichert werden. Man muss dazu über einen bereits gespeicherten und funktionierenden Sender verfügen. Der zu speichernde neue Sender wird die Merkmale des bereits gespeicherten erben; wenn daher der erste Sender in "Modus I" gespeichert wird, wird auch der neue Sender in "Modus I" gespeichert; in diesem Fall kann auf eine beliebige Taste der Sender gedrückt werden. Ist der bereits funktionierende Sender dagegen in "Modus II" gespeichert, so wird auch der neue in Modus II gespeichert und es wird daher sehr wichtig, am ersten Sender die Taste des gewünschten Steuerbefehls und am zweiten Sender die Taste zu drücken, der man jenen Steuerbefehl zuteilen will.


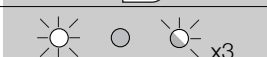


⚠ Die Fernspeicherung kann in allen Empfängern innerhalb der Reichweite des Senders erfolgen; daher nur den betreffenden Empfänger gespeist halten.

Mit beiden Sendern im Aktionsbereich der Automatisierung folgende Schritte ausführen:

Tabelle Nr. 10: Fernspeicherung eines Senders	Beispiel
1. Mindestens 5 s auf die Taste des neuen Funksenders drücken, dann loslassen.	
2. 3-Mal langsam auf die Taste des bereits gespeicherten Funksenders drücken.	
3. 1-Mal langsam auf die Taste des neuen Funksenders drücken.	

Nun wird der neue Funksender vom Empfänger erkannt und die Merkmale des bereits gespeicherten annehmen. Zur Speicherung weiterer Sender, alle Schritte für jeden neuen Sender wiederholen.

4.7.4) Löschen der Funksender

Tabelle Nr. 11: Löschen aller Sender	Beispiel
1. Auf die kleine Taste am Empfänger drücken und gedrückt halten	
2. Warten, bis die LED aufleuchtet, dann warten bis sie erlischt und danach warten, dass sie 3-Mal blinkt	
3. Die Taste genau während des 3. Blinkens loslassen	
4. Falls das Löschen erfolgreich war, wird die LED kurz danach 5-Mal blinken.	

4.7.5) Konformitätserklärung des Funkempfängers

Konformitätserklärung

Nr: 151/SMXI Rev03
 Nice S.p.a., Via Pezza Alta 13, 31046 Rustignè di Oderzo (TV) Italien
 NICE S.p.a. erklärt, dass die Funkempfänger Modelle SMXI, SMXIS und die jeweiligen Sender FLO2R-S und SM2 mit den wichtigsten Anforderungen der Richtlinie R&TTE 1999/5/CE konform sind, was den Einsatzzweck dieser Geräte betrifft. Hergestellt in Klasse 1, Unterklasse 20

Datum: 19. März 2004

Geschäftsführer
 Lauro Buoro

5) Endprüfung und Inbetriebsetzung

Um höchste Sicherheit zu gewährleisten, ist diese Phase die wichtigste bei der Durchführung der Automatisierung. Die Endprüfung kann auch als periodische Überprüfung der Vorrichtungen dienen, aus denen der Automatismus besteht.

Anforderungen der Norm EN 12445 zu überprüfen hat, in der die Testmethoden zur Überprüfung der Automatismen für Tore angegeben sind.

⚠ die Endprüfung der ganzen Anlage muss von erfahrem Fachpersonal ausgeführt werden, das zu bestimmen hat, welche Tests je nach vorhandenen Risiken auszuführen sind, und das die Übereinstimmung mit Gesetzen, Vorschriften und Verordnungen und insbesondere allen

5.1) Abnahme

Für jedes einzelne Element des Automatismus wie zum Beispiel Schaltleisten, Photozellen, Notstops usw. ist eine spezielle Abnahmephase erforderlich; für diese Vorrichtungen sind die Verfahren in den jeweiligen Anleitungen auszuführen. Für die Abnahme von ROBUS350 ist folgende Arbeitssequenz durchzuführen:

1. Prüfen, ob alles in der vorliegenden Anweisung und insbesondere das in Kapitel 1 "Hinweise" angegebene genauestens eingehalten ist.
2. Den Toröffner entriegeln, wie in "Entriegelung und Bewegung von Hand" im Kapitel "Anweisungen und Hinweise für den Benutzer des Toröffners ROBUS350" angegeben.
3. Prüfen, ob es möglich ist, den Torflügel in Öffnung und Schließung mit einer Kraft nicht über 390N (ca. 40kg) von Hand zu bewegen
4. Den Toröffner blockieren.
5. Die vorgesehenen Steuervorrichtungen (Schlüsseltaster, Steuer-

sten oder Funksender) verwenden, die Schließung und Öffnung des Tors testen und prüfen, ob das Verhalten wie vorgesehen ist.

6. Den korrekten Betrieb aller Sicherheitsvorrichtungen der Anlage einzeln überprüfen (Photozellen, Schaltleisten, Notstops usw.) und prüfen, ob das Verhalten wie vorgesehen ist. Bei jeder Auslösung einer Vorrichtung wird die BlueBUS-LED an der Steuerung zweimal schneller blinken und so bestätigen, dass die Steuerung das Ereignis erkannt hat.
7. Falls die durch die Torbewegung verursachten Gefahren mittels Begrenzung der Aufprallkraft abgesichert worden sind, muss die Kraft nach den Verordnungen der Vorschrift EN 12445 gemessen werden. Falls die "Geschwindigkeitsregelung" und die Kontrolle der "Motorkraft" als Hilfsmittel für das System zur Aufprallkraftreduzierung benutzt werden, die Einstellungen testen und definieren, mit welcher Einstellung die besten Ergebnisse erzielt werden.

5.2) Inbetriebsetzung

Die Inbetriebsetzung darf erst erfolgen, nachdem alle Endprüfungen von ROBUS350 sowie der anderen Vorrichtungen erfolgreich beendet sind. Eine teilweise oder vorübergehende Inbetriebsetzung ist unzulässig.

1. Die technischen Unterlagen der Automatisierung zusammenstellen und diese mindestens 10 Jahre lang aufbewahren. Sie müssen mindestens umfassen: Gesamtzeichnung der Automatisierung, Schaltplan mit den elektrischen Anschlüssen, Risikoanalyse und jeweilige angewendete Lösungen, Konformitätserklärung des Herstellers für alle benutzten Vorrichtungen (für ROBUS350 die anliegende "CE-Konformitätserklärung" verwenden, Kopie der Bedienungsanweisungen und des Wartungsplans der Automatisierung.
2. Am Tor ein Schild mit mindestens folgenden Daten anbringen: Automatisierungstyp, Name und Adresse des Herstellers (Verantwortlicher der "Inbetriebsetzung"), Seriennummer, Baujahr und CE-Markierung.

3. In Tornähe auf bleibende Art ein Etikett oder ein Schild befestigen, dass die Angaben zur Durchführung der Entriegelung und der Bewegung von Hand enthält.
4. Die Konformitätserklärung der Automatisierung anfertigen und dem Inhaber aushändigen.
5. Das Handbuch „Anweisungen und Hinweise für die Bedienung der Automatisierung“ anfertigen und dem Inhaber der Automatisierung übergeben.
6. Den Wartungsplan anfertigen und dem Inhaber der Automatisierung aushändigen. Er enthält die Wartungsvorschriften der einzelnen Vorrichtungen.
7. Vor der Inbetriebsetzung des Automatismus, den Inhaber auf geeignete Weise und schriftlich (z.B. in den "Anweisungen und Hinweise für die Bedienung der Automatisierung") über die restlichen Gefahren und Risiken informieren.

6) Wartung und Entsorgung

Dieses Kapitel enthält die Informationen zur Anfertigung des Wartungsplans und für die Entsorgung von ROBUS350

6.1) Wartung

Um das Sicherheitsniveau konstant zu halten und die längste Lebensdauer der ganzen Automatisierung zu gewährleisten, ist eine regelmäßige Wartung erforderlich.

⚠ Die Wartung muss unter genauester Einhaltung der im vorliegenden Handbuch verzeichneten Sicherheitsbestimmungen und der Verordnungen der gültigen Gesetze und Vorschriften ausgeführt werden.

Sollten Vorrichtungen vorhanden sein, die anders als ROBUS350 sind, das in ihrem Wartungsplan vorgesehene ausführen.

1. Für ROBUS350 ist max. innerhalb von 6 Monaten oder 10.000 Bewegungen nach der vorherigen Wartung eine programmierte Wartung erforderlich:

2. Alle elektrischen Versorgungsquellen, inklusive eventuelle Pufferbatterien abtrennen.
3. Die Verschlechterung aller Materialien der Automatisierung überprüfen, mit besonderer Achtung auf Erosions- oder Roststellen an strukturellen Teilen; Teile, die nicht genügend Garantie gaben, müssen ersetzt werden.
4. Den Verschleiß der Bewegungselemente überprüfen, wie Ritzel, Zahnstange und alle Torflügelteile; abgenutzte Teile müssen ersetzt werden.
5. Die elektrischen Versorgungsquellen wieder anschließen und alle in Punkt "5.1 Endprüfung" vorgesehenen Tests und Überprüfungen ausführen.

6.2) Entsorgung

ROBUS besteht aus verschiedenen Stoffen, von denen einige recycled werden können (Stahl, Aluminium, Plastik, Elektrokabel), andere müssen dagegen entsorgt werden (Batterien und elektronische Karten).

⚠ Einige elektronische Teile und die Batterien könnten umweltschädliche Stoffe enthalten; nicht in die Umwelt geben. Informieren Sie sich, wie recycled oder entsorgt werden kann und halten Sie sich an die örtlich gültigen Vorschriften.

1. Die Stromversorgung vom Automatismus und die eventuelle Pufferbatterien abtrennen.
2. Alle Vorrichtungen und Zubehörteile demontieren. Hierzu das in Kapitel „3 Installation“ beschriebene Verfahren umgekehrt ausführen.
3. Soweit möglich, Teile trennen, die verschiedenartig recycled oder entsorgt werden können, zum Beispiel Metall von Plastik, elektronische Karten, Batterien, usw.
4. Sortieren und die so getrennten verschiedenen Materialien autorisierten, örtlichen Recycling- und Entsorgungszentren übergeben.

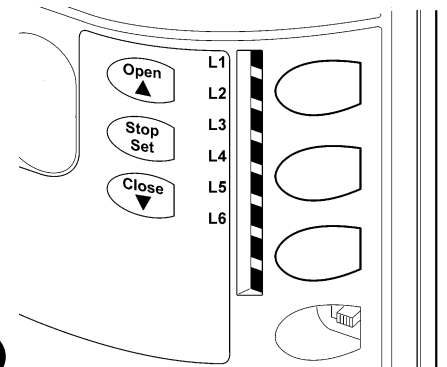
7) Weitere Auskünfte

In den nachfolgenden Kapiteln werden die Möglichkeiten für die Programmierung, eine persönliche Gestaltung, die Diagnose und die Fehlersuche an ROBUS350 behandelt.

7.1) Programmierungstasten

An der Steuerung von ROBUS350 sind 3 Tasten vorhanden, die sowohl zur Schaltung der Steuerung bei den Tests als auch zu Programmierungen benutzt werden können:

Open ▲	Mit Taste "OPEN" kann der Öffnungsbefehl erteilt oder der Programmierungspunkt nach oben verschoben werden.
Stop Set	Mit Taste "STOP" kann die Bewegung angehalten werden; falls länger als 5 Sekunden gedrückt, dient sie für den Zugriff auf die Programmierung.
Close ▼	Mit Taste "CLOSE" kann der Schließbefehl erteilt oder der Programmierungspunkt nach unten verschoben werden.



7.2) Programmierungen

Die Steuerung von ROBUS350 verfügt über einige programmierbare Funktionen; die Einstellung dieser Funktionen erfolgt mit 3 Tasten an der Steuerung: [▲] [Set] [▼] die Funktionen werden über 6 LEDs angezeigt: **L1...L6**

Die an ROBUS350 zur Verfügung stehenden programmierbaren Funktionen befinden sich auf 2 Niveaus:

Erstes Niveau: ON-OFF-Funktionen (aktiv oder nicht aktiv); in diesem Fall zeigt jede LED eine Funktion an; wenn die LED leuchtet, ist die Funktion aktiviert, wenn die LED nicht leuchtet, ist die Funktion deaktiviert – siehe Tabelle Nr. 12.

Zweites Niveau: auf einer Werteskala von 1 bis 6 einstellbare Parameter; in diesem Fall zeigt jede LED **L1...L6** den unter den 6 möglichen eingestellten Wert an - siehe Tabelle Nr. 14.

7.2.1) Funktionen des ersten Niveaus (ON-OFF-Funktionen)


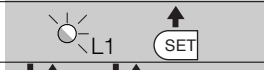



Tabelle Nr. 12: Liste der programmierbaren Funktionen: erstes Niveau

LED	Funktion	Beschreibung
L1	Automatische Schließung	Diese Funktion ermöglicht die automatische Torschließung nach der programmierten Pausezeit; werkseitig ist die Pausezeit auf 30 Sekunden eingestellt, kann aber auf 5, 15, 30, 45, 60 und 80 Sekunden geändert werden. Falls die Funktion nicht aktiviert ist, ist die Funktionsweise "halbautomatisch".
L2	Zulauf nach Durchfahrt der Photozelle	Diese Funktion ermöglicht es, das Tor nur in der zur Durchfahrt nötigen Zeit geöffnet zu halten. In der Tat verursacht die Auslösung von "Foto" immer ein automatisches erneutes Schließen mit einer Pausezeit von 5 Sekunden (unabhängig vom programmierten Wert). Das Verhalten ändert sich je nachdem, ob die Funktion "Automatische Schließung" aktiviert ist oder nicht. Mit deaktivierter "Automatischer Schließung": Das Tor erreicht immer die Position ganz geöffnet (auch wenn die Photozelle vorher frei wird). Beim Freiwerden der Photozelle wird der automatische Zulauf mit einer Pause von 5 Sekunden verursacht. Mit aktivierter "Automatischer Schließung": die Öffnungsbewegung stoppt gleich nach dem Freiwerden der Photozellen und es wird der automatische Zulauf mit einer Pause von 5 Sekunden verursacht. Die Funktion "PP, STOP, OPEN, CLOSE" wird im Falle von Bewegungen, die mit einem Stopbefehl unterbrochen wurden, immer deaktiviert. Wenn die Funktion "Zulauf nach Durchfahrt der Photozelle" nicht aktiviert ist, wird die Pausezeit wie programmiert sein, oder es erfolgt kein automatischer Zulauf, wenn die Funktion nicht aktiviert war.
L3	Schließt Immer	Die Funktion "Schließt Immer" verursacht eine Schließung, wenn nach einem Stromausfall das Tor geöffnet ist. Aus Sicherheitsgründen geht der Bewegung ein 5 s langes Vorwarnen voraus. Falls die Funktion bei der Rückkehr der Stromversorgung nicht aktiviert ist, wird das Tor stehen bleiben.
L4	Stand-By	Mit dieser Funktion kann der Verbrauch auf das Geringste reduziert werden. Sie ist besonders mit Versorgung über Pufferbatterie nützlich. Wenn diese Funktion aktiviert ist, schaltet die Steuerung 1 Minute nach Bewegungsende den Ausgang BLUEBUS (und daher die Vorrichtungen) sowie alle LEDs ab, mit Ausnahme der LED BLUEBUS, die langsamer blinken wird. Bei Erhalt eines Steuerbefehls wird die Steuerung ihren Vollbetrieb wieder aufnehmen. Mit nicht aktivierter Funktion erfolgt keine Reduzierung des Verbrauchs
L5	Anlauf	Durch die Aktivierung dieser Funktion wird die allmähliche Beschleunigung beim Beginn jeder Bewegung abgeschaltet, so dass man die maximale Anlaufkraft hat. Die Funktion ist im Falle starker statischer Reibungen nützlich, zum Beispiel bei Schnee oder Eis, die den Torflügel blockieren. Wenn die Funktion Anlauf nicht aktiviert ist, beginnt die Bewegung mit einer allmählichen Beschleunigung.
L6	Vorwarnen	Mit der Vorwarnfunktion wird zwischen Einschalten der Blinkleuchte und Bewegungsbeginn eine 3 s lange Pause hinzugefügt, um die Gefahr vorab zu melden. Wenn die Funktion Vorwarnen nicht aktiviert ist, erfolgt das Einschalten der Blinkleuchte gleichzeitig mit dem Bewegungsbeginn.

Während des Normalbetriebs von ROBUS350 sind die LEDs **L1...L6** je nach dem Status der Funktion, die sie darstellen, ein- oder ausgeschaltet, zum Beispiel ist **L1** eingeschaltet, wenn die Funktion "Automatische Schließung" aktiviert ist.

7.2.2 Erstes Niveau - Programmierungen (ON-OFF-Funktionen)

Werkseitig sind alle Funktionen des ersten Niveaus auf "OFF", was man aber jederzeit ändern kann, wie in Tabelle Nr. 13 angegeben. Bei der Durchführung des Verfahrens vorsichtig sein, da die Zeitgrenze 10 s zwischen dem Druck auf eine Taste und die andere beträgt. Andernfalls wird das Verfahren automatisch beendet, mit Speicherung der bisher ausgeführten Änderungen.

Tabelle Nr. 13: Änderung der ON-OFF-Funktionen		Beispiel
1.	Auf Taste [Set] drücken und ca. 3 Sekunden gedrückt halten	
2.	Taste [Set] loslassen, wenn LED L1 zu blinken beginnt	
3.	Auf die Tasten [▲] oder [▼] drücken, um das Blinken auf die LED zu verschieben, welche die zu ändernde Funktion darstellt	
4.	Auf Taste [Set] drücken, um den Status der Funktion zu ändern (kurzes Blinken = OFF; langes Blinken = ON)	
5.	10 s warten, um die Programmierung aufgrund des Ablaufs der Zeitgrenze zu beenden.	

Anmerkung: die Punkte 3 und 4 können während derselben Programmierungsphase wiederholt werden, um andere Funktionen auf ON oder OFF zu stellen

7.2.3 Funktionen des zweiten Niveaus (einstellbare Parameter)

Tabelle Nr. 14: Liste der programmierbaren Funktionen: zweites Niveau				
Eingangs-LED	Parameter	LED (Niveau)	Wert	Beschreibung
L1	Pausezeit	L1	5 Sekunden	Stellt die Pausezeit bzw. die Zeit vor dem automatischen Zulauf. Wirkt nur, falls die automatische Schließung aktiviert ist.
		L2	15 Sekunden	
		L3	30 Sekunden	
		L4	45 Sekunden	
		L5	60 Sekunden	
		L6	80 Sekunden	
L2	Funktion Schrittbetrieb	L1	Öffnet - Stop - Schließt - Stop	Stellt die Sequenz der Steuerbefehle ein, die dem Eingang Schrittbetrieb oder dem 1. Funkbefehl zugeteilt sind (siehe die Tabellen 4 und 5).
		L2	Öffnet - Stop - Schließt - Stop	
		L3	Öffnet - Schließt - Öffnet - Schließt	
		L4	Wohnblockbetrieb	
		L5	Schließt	
		L6	Todmannfunktion	
L3	Motorgeschwindigkeit	L1	Sehr langsam	Stellt die Motorgeschwindigkeit beim normalen Lauf ein.
		L2	Langsam	
		L3	Mittel	
		L4	Schnell	
		L5	Sehr schnell	
		L6	Sehr sehr schnell	
L4	Ausgang S.C.A.	L1	Funktion S.C.A. (Kontrolllampe Tor Geöffnet)	Stellt die Funktion ein, die dem Ausgang S.C.A. zugeordnet ist.
		L2	Leuchtet, wenn Tor geschlossen	
		L3	Leuchtet, wenn Tor geöffnet	
		L4	Aktiv mit 2. Funkbefehl	
		L5	Aktiv mit 3. Funkbefehl	
		L6	Aktiv mit 4. Funkbefehl	
L5	Motorkraft	L1	Tor "sehr leicht"	Stellt das Kontrollsystem der Motorkraft ein und passt diese dem Torgewicht an
		L2	Tor "leicht"	
		L3	Tor "mittel"	
		L4	Tor "mittel-schwer"	
		L5	Tor "schwer"	
		L6	Tor "sehr schwer"	
L6	Teilöffnung	L1	0,5 m	Stellt das Maß der Teilöffnung ein. Der Befehl für Teilöffnung kann nur mit dem 2. Funkbefehl erteilt werden (siehe die Tabellen 4 und 5)
		L2	1 m	
		L3	1,5 m	
		L4	2 m	
		L5	2,5 m	
		L6	3 m	

Anmerkung: "■" ist die werkseitige Einstellung

Alle Parameter können beliebig ohne Nebenwirkungen eingestellt werden, nur für die Einstellung der "Motorkraft" ist besondere Vorsicht notwendig:









- Keine hohen Kraftwerte benutzen, um der Tatsache abzuweichen, dass das Tor starke Reibungspunkte hat. Eine zu starke Kraft kann das Sicherheitssystem beeinträchtigen und das Tor beschädigen.

•Falls die Kontrolle der "Motorkraft" als Hilfsmittel für das System zur Aufprallkraftreduzierung benutzt wird, die Kraftmessung nach jeder Einstellung wiederholen, wie von Norm EN 12445 vorgesehen.

- Verschleiß und Witterung kann die Torbewegungen beeinflussen; eine neue Einstellung könnte in regelmäßigen Abständen notwendig sein.

7.2.4) Programmierung zweiten Niveaus (einstellbare Parameter)







Werkseitig sind diese Parameter wie in Tabelle " " eingestellt, sie können aber wie in Tabelle Nr. 15 angegeben jederzeit geändert werden. Bei der Durchführung des Verfahrens vorsichtig sein, da die Zeitgrenze 10 s zwischen dem Druck auf eine Taste und die andere beträgt. Andernfalls wird das Verfahren automatisch beendet, mit Speicherung der bisher ausgeführten Änderungen.

Tabelle Nr. 15: Änderung der einstellbaren Parameter	Beispiel
1. Auf Taste [Set] drücken und ca. 3 Sekunden gedrückt halten	 3s
2. Taste [Set] loslassen, wenn LED L1 zu blinken beginnt	
3. Auf die Tasten [▲] oder [▼] drücken, um das Blinken auf die „Eingangs-LED“ zu verschieben, die den zu ändernden Parameter darstellt	
4. Auf Taste [Set] drücken und gedrückt halten; die Taste [Set] muss während der Schritte 5 und 6 ständig gedrückt bleiben	
5. Ca. 3 s warten, danach wird die LED aufleuchten, die das aktuelle Niveau des zu ändernden Parameters darstellt	
6. Auf die Tasten [▲] oder [▼] drücken, um die LED zu verschieben, die den Wert des Parameters darstellt	
7. Die Taste [Set] loslassen	
8. 10 s warten, um die Programmierung aufgrund des Ablaufs der Zeitgrenze zu beenden.	 10s

Anmerkung: die Punkte von 3 bis 7 können während derselben Programmierungsphase wiederholt werden, um andere Parameter einzustellen

7.2.5) Erstes Niveau - Programmierungsbeispiel (ON-OFF-Funktionen)




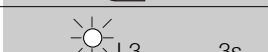








Als Beispiel wird die Sequenz der Vorgänge angegeben, die auszuführen sind, um die werkseitige Einstellung zur Aktivierung der Funktionen "Automatische Schließung" (L1) und "Schließt Immer" (L3) zu ändern.

Tabelle Nr. 16: Erstes Niveau - Programmierungsbeispiel	Beispiel
1. Auf Taste [Set] drücken und ca. 3 Sekunden gedrückt halten	 3s
2. Taste [Set] loslassen, wenn LED L1 zu blinken beginnt	
3. Einmal auf Taste [Set] drücken, um den Status der L1 zugeteilten Funktion (Automatische Schließung) zu ändern. Die LED L1 blinkt nun lang.	
4. Zweimal auf Taste [▼] drücken, damit das Blinken auf LED L3 übergeht	
5. Einmal auf Taste [Set] drücken, um den Status der L3 zugeteilten Funktion (Schließt Immer) zu ändern. Die LED L3 blinkt nun lang	
6. 10 s warten, um die Programmierung aufgrund des Ablaufs der Zeitgrenze zu beenden.	 10s

Am Ende dieser Vorgänge müssen die LEDs L1 und L3 eingeschaltet bleiben, was bedeutet, dass die Funktionen "Automatische Schließung" und "Schließt Immer" aktiviert sind.

7.2.6) Zweites Niveau - Programmierungsbeispiel (einstellbare Parameter)

Als Beispiel wird die Sequenz der Vorgänge angegeben, die auszuführen sind, um die werkseitige Einstellung der Parameter zu ändern und die "Pausezeit" auf 60 s (Eingang an L1 und Niveau auf L5) zu erhöhen und die "Motorkraft" für leichte Tore (Eingang an L5 und Niveau auf L2) zu reduzieren.

Tabelle Nr.17: Zweites Niveau - Programmierungsbeispiel	Beispiel
1. Auf Taste [Set] drücken und ca. 3 Sekunden gedrückt halten	
2. Taste [Set] loslassen, wenn LED L1 zu blinken beginnt	
3. Auf Taste [Set] drücken und gedrückt halten; die Taste [Set] muss während der Schritte 4 und 5 ständig gedrückt bleiben	
4. Ca. 3 s warten, danach wird die LED L3 aufleuchten, die das aktuelle Niveau der "Pausezeit" darstellt	
5. Zweimal auf Taste [▼] drücken, damit das Blinken auf LED L5 übergeht, die den neuen Wert der "Pausezeit" darstellt	
6. Taste [Set] loslassen	
7. Viermal auf Taste [▼] drücken, damit das Blinken auf LED L5 übergeht	
8. Auf Taste [Set] drücken und gedrückt halten; die Taste [Set] muss während der Schritte 9 und 10 ständig gedrückt bleiben	
9. Ca. 3 s warten, danach wird die LED L3 aufleuchten, die das aktuelle Niveau der "Motorkraft" darstellt	
10. Dreimal auf Taste [▲] drücken, damit das Blinken auf LED L2 übergeht, die den neuen Wert der "Motorkraft" darstellt	
11. Taste [Set] loslassen	
12. 10 s warten, um die Programmierung aufgrund des Ablaufs der Zeitgrenze zu beenden.	

7.3) Hinzufügen oder Entfernen von Vorrichtungen

Einer Automatisierung mit ROBUS350 können jederzeit Vorrichtungen hinzugefügt bzw. aus dieser entfernt werden. Insbesondere können am "BLUEBUS" sowie am Eingang "STOP" verschiedenartige Vorrichtungen

angeschlossen werden, wie in den Paragraphen "7.3.1 BlueBUS" und "7.3.2 Eingang STOP" angegeben."

7.3.1) BlueBUS

BlueBUS ist eine Technik, mit der die Verbindungen der kompatiblen Vorrichtungen mit nur zwei Leitern ausgeführt werden können, die sowohl Stromversorgung als auch Kommunikationssignale übertragen. Alle Vorrichtungen werden an diesen 2 Leitern des BlueBUS parallelgeschaltet, ohne dass eine Polung beachtet werden muss; jede Vorrichtung wird einzeln erkannt, da ihr während der Installation eine eindeutige Adresse zugeteilt wird. An BlueBUS können zum Beispiel Photozellen, Sicherheitsvorrichtungen, Schalttasten, Kontrolllampen usw. angeschlossen werden. Die Steuerung von

ROBUS350 erkennt über eine entsprechende Erlernungsphase alle angeschlossenen Vorrichtungen nacheinander und ist in der Lage, alle möglichen Störungen mit größter Sicherheit wahrzunehmen. Aus diesem Grund muss an der Steuerung jedes Mal, wenn eine mit BlueBUS verbundene Vorrichtung hinzugefügt oder entfernt wird, die Erlernung durchgeführt werden, wie in Paragraph "7.2.4 Erlernung sonstiger Vorrichtungen" beschrieben.

7.3.2) Eingang STOP

STOP ist der Eingang, der das unverzügliche Anhalten der Bewegung verursacht, gefolgt von einer kurzen Umkehrung. An diesen Eingang können Vorrichtungen mit Ausgang mit gewöhnlich geöffnetem "NO"-Kontakt, mit gewöhnlich geschlossenem "NC"-Kontakt oder Vorrichtungen mit Ausgang mit konstantem 8,2kΩ Widerstand, wie zum Beispiel Schaltleisten, angeschlossen werden.

Wie für BlueBUS erlernt die Steuerung auch die am Eingang STOP angeschlossene Vorrichtung während der Erlernung – siehe Paragraph "7.2.4 Erlernung sonstiger Vorrichtungen"; danach wird ein STOP verursacht, wenn eine beliebige Variation des erlernten Status erfolgt.

Con opportuni accorgimenti è possibile collegare all'ingresso STOP più di un dispositivo, anche di tipo diverso:

- Mit entsprechenden Maßnahmen kann am Eingang STOP mehr als eine Vorrichtung auch anderen Typs angeschlossen werden.
- Mehrere NO-Vorrichtungen können miteinander in unbegrenzter Menge parallelgeschaltet werden.

- 2 Vorrichtungen mit Ausgang mit konstantem 8,2kΩ Widerstand können parallelgeschaltet werden; im Falle von mehr als 2 Vorrichtungen müssen alle mit nur einem 8,2kΩ Endwiderstand "kaskadengeschaltet" werden.
- Die Kombination NO und NC ist möglich, wenn die 2 Kontakte parallelgeschaltet werden, wobei ein 8,2kΩ Widerstand mit dem NC-Kontakt serienschaltet werden muss (daher ist auch die Kombination von 3 Vorrichtungen NO, NC und 8,2kΩ möglich).

⚠ Falls der Eingang STOP für den Anschluss von Vorrichtungen mit Sicherheitsfunktionen benutzt wird, garantieren nur die Vorrichtungen mit Ausgang mit konstantem 8,2kΩ Widerstand die Sicherheitsklasse 3 gegen Defekte gemäß der Vorschrift EN 954-1.

7.3.3) Photozellen

Das "BlueBUS" System ermöglicht es durch die Adressierung mit dazu vorgesehenen Überbrückungen, dass die Steuerung Photozellen erkennt und die korrekte Detektionsfunktion zugeteilt werden kann. Die Adressierung muss sowohl an TX als auch an RX ausgeführt werden (die Überbrückungen gleich stellen), wobei zu prüfen ist, dass keine weiteren Photozellenpaare mit derselben Adressierung vorhanden sind. An einem Automatismus für Schiebetore mit ROBUS350 können die Photozellen nach Abbildung 22. installiert werden. Nach Installation bzw. Entfernung von Photozellen muss an der Steuerung die Erlernphase ausgeführt werden, wie in Paragraph "7.3.4 Erlernung sonstiger Vorrichtungen" beschrieben.

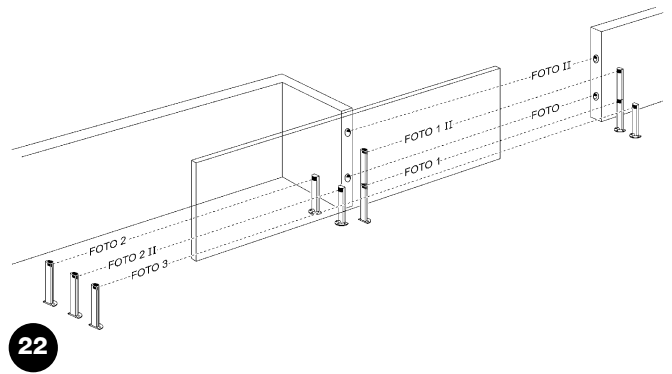


Tabelle Nr. 18: Adressierungen der Photozellen

Photozelle	Überbrückungen	Photozelle	Überbrückungen
FOTO Photozelle außen H = 50 mit Auslösung in Schließung		FOTO 2 Photozelle außen mit Auslösung in Öffnung	
FOTO II Photozelle außen H = 100 mit Auslösung in Schließung		FOTO 2 II Photozelle innen mit Auslösung in Öffnung	
FOTO 1 Photozelle innen H = 50 mit Auslösung in Schließung		FOTO 3 Nur eine Photozelle für den ganzen Automatismus	
FOTO 1 II Photozelle innen H = 100 mit Auslösung in Schließung		<p>⚠ wenn FOTO 3 zusammen mit FOTO II installiert wird, muss die Position der Photozellenelemente (TX-RX) so sein, wie in der Anweisung der Photozellen angegeben.</p>	

7.3.4) Erlernung sonstiger Vorrichtungen

Gewöhnlich wird der Erlernungsvorgang der an BlueBUS und an Eingang STOP angeschlossenen Vorrichtungen während der Installation ausgeführt, wenn jedoch Vorrichtungen hinzugefügt bzw. entfernt werden, kann die Erlernung wie folgt wiederholt werden:

Tabelle Nr. 19: Erlernung sonstiger Vorrichtungen

	Beispiel
1. Auf die Tasten [▲] und [Set] drücken und gedrückt halten	
2. Die Tasten loslassen, wenn die LEDs L1 und L2 sehr schnell zu blinken beginnen (nach ca. 3 s)	
3. Ein paar Sekunden warten, damit die Steuerung die Erlernung der Vorrichtungen beendet.	
4. Am Ende der Erlernung dürfen die LEDs L1 und L2 nicht mehr blinken, die LED STOP muss eingeschaltet bleiben, wogegen die LEDs L1...L6 je nach dem Status ihrer ON-OFF-Funktionen aufleuchten werden.	

⚠ Nachdem Vorrichtungen hinzugefügt bzw. entfernt worden sind, muss die Endprüfung der Automatisierung gemäß "5.1 Endprüfung" erneut ausgeführt werden.

7.4) Sonderfunktionen

7.4.1) Funktion "Öffnet Immer"

Die Funktion "Öffnet Immer" ist eine Besonderheit der Steuerung, mit der immer eine Öffnungsbewegung erfolgt, wenn der Befehl "Schrittbetrieb" länger als 2 Sekunden gegeben wird; das ist zum Beispiel nützlich, um an Klemme Schrittbetrieb den Kontakt einer Zeituhr anzuschließen, damit das Tor in einer bestimmten Zeitspanne geöffnet bleibt. Diese Sonderfunktion ist unabhängig von der Program-

mierung des Eingangs Schrittbetrieb vorhanden; eine Ausnahme ist die Programmierung des Eingangs Schrittbetrieb als „Schließt“ – siehe Parameter "Funktion Schrittbetrieb" in Tabelle Nr. 14.

7.4.2) Funktion "Todmann"

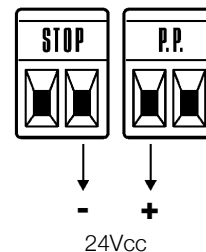
Wenn eine Sicherheitsvorrichtung nicht korrekt funktionieren oder außer Betrieb sein sollte, kann das Tor in der Modalität "Todmann" bewegt werden. Für Einzelheiten wird auf den Paragraph "Torbewegung

mit Sicherheitsvorrichtungen außer Betrieb" in der Anlage "Anweisungen und Hinweise für den Benutzer des Toröffners ROBUS".

7.5) Verbindung sonstiger Vorrichtungen

Sollte es notwendig sein, externe Vorrichtungen wie zum Beispiel einen Proximity-Leser für Transponder-Cards oder die Beleuchtung des Schlüsseltasters anzuschließen, kann die Versorgung wie in Abbildung 23 gezeigt entnommen werden.

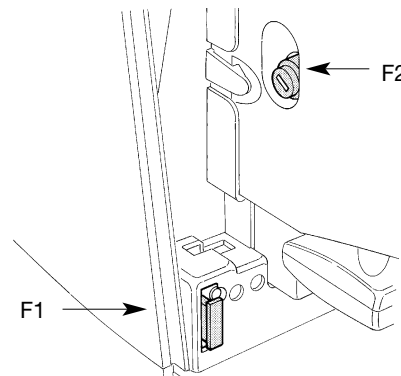
Die Versorgungsspannung ist 24Vcc -30% ÷ +50% mit 100 mA zur Verfügung stehendem Höchststrom.



23

7.6) Probleme und deren Lösungen

In Tabelle Nr. 20 sind nützliche Hinweise zu finden, um eventuellen Betriebsstörungen entgegen zu treten, die bei der Installation oder im Falle von Defekten auftreten können.



24

Tabelle Nr. 20: Fehlersuche

Symptome	Empfohlene Überprüfungen
Der Funksender schaltet das Tor nicht und die LED am Sender leuchtet nicht auf	Prüfen, ob die Batterien des Senders leer sind, ggf. auswechseln
Der Funksender schaltet das Tor nicht, aber die LED am Sender leuchtet auf	Prüfen, ob der Sender korrekt im Funkempfänger gespeichert ist
Es erfolgt keine Bewegung und die LED "BLUE-BUS" blinkt nicht	Prüfen, ob ROBUS350 mit der 230V Netzspannung gespeist ist. Prüfen, ob die Sicherungen unterbrochen sind; in diesem Fall die Ursache des Defekts überprüfen, dann die Sicherungen mit anderen mit demselben Stromwert und denselben Merkmalen auswechseln.
Es erfolgt keine Bewegung und die Blinkleuchte blinkt nicht	Prüfen, ob der Befehl effektiv empfangen wird. Falls der Befehl am Eingang Schrittbetrieb angekommen, muss die jeweilige LED "PP" aufleuchten, falls dagegen der Funksender benutzt wird, muss die LED "BLUEBUS" 2-Mal schnell blinken.
Es erfolgt keine Bewegung und die Blinkleuchte blinkt mehrmals.	Zählen, wie oft die Blinkleuchte blinkt und nach den Angaben in Tabelle Nr. 21 überprüfen.
Die Bewegung beginnt, aber gleich danach erfolgt die Umkehrung	Die gewählte Kraft könnte für den Tortyp zu gering sein. Prüfen, ob Hindernisse vorhanden sind und ggf. eine stärkere Kraft wählen.
Die Bewegung wird ordnungsgemäß ausgeführt, aber die Blinkleuchte funktioniert nicht	Prüfen, ob während der Bewegung Spannung an Klemme FLASH der Blinkleuchte anliegt (da intermittierend, ist der Spannungswert nicht hoch, ca. 10-30Vac); falls Spannung anliegt, ist das Problem durch die Glühbirne verursacht, die mit einer mit denselben Merkmalen ausgewechselt werden muss. Falls keine Spannung anliegt, könnte eine Überlast am Ausgang FLASH vorhanden sein – das Kabel auf Kurzschluss überprüfen.
Die Bewegung wird ordnungsgemäß ausgeführt, aber die Kontrolllampe SCA funktioniert nicht	Den für Ausgang SCA programmierten Funktionsstatus überprüfen (Tabelle Nr. 14). Wenn die Kontrolllampe leuchten müsste, prüfen ob Spannung an der Klemme SCA anliegt (ca. 24Vcc); falls Spannung vorhanden ist, ist das Problem durch die Kontrolllampe verursacht, die mit einer mit denselben Merkmalen ausgewechselt werden muss. Falls keine Spannung anliegt, könnte eine Überlast am Ausgang SCA vorhanden sein – das Kabel auf Kurzschluss überprüfen.

7.7) Diagnose und Anzeigen

Einige Vorrichtungen bieten selbst besondere Anzeigen, mit denen der Betriebsstatus oder eventuelle Störungen erkannt werden können.

7.7.1) Anzeigen durch die Blinkleuchte

Die Blinkleuchtenanzeige FLASH blinkt während der Bewegung einmal pro Sekunde; im Falle von Störungen wird das Blinken schneller sein; die Blinkvorgänge wiederholen sich zweimal mit einer Pause von einer Sekunde.

Tabelle Nr. 21: Anzeigen durch die Blinkleuchte FLASH

Schnellblinker	Ursache	HANDLUNG
1-Mal Blinken 1 Sekunde Pause 1-Mal Blinken	Fehler an BlueBUS	Die Überprüfung der am BLUEBUS angeschlossenen Vorrichtungen bei Bewegungsbeginn entspricht nicht dem während der Erlernung Gespeicherten. Es können defekte Vorrichtungen vorhanden sein: überprüfen und auswechseln; falls Änderungen ausgeführt worden sind, muss die Erlernung wiederholt werden (7.3.4 Erlernung sonstiger Vorrichtungen).
2-Mal Blinken 1 Sekunde Pause 2-Mal Blinken	Auslösung einer Photozelle	Bei Bewegungsbeginn wird die Zustimmung zur Bewegung von einer oder mehreren Photozellen nicht gegeben; prüfen, ob Hindernisse vorhanden sind. Während der Bewegung ist das normal, wenn effektiv ein Hindernis vorhanden ist.
3-Mal Blinken 1 Sekunde Pause 3-Mal Blinken	Auslösung des "Motorkraft"-Begrenzers	Während der Bewegung war mehr Reibung am Tor vorhanden; Ursache überprüfen
4-Mal Blinken 1 Sekunde Pause 4-Mal Blinken	Auslösung des Eingangs STOP	Am Anfang und während der Bewegung erfolgte eine Auslösung des Eingangs STOP; Ursache überprüfen.
5-Mal Blinken 1 Sekunde Pause 5-Mal Blinken	Fehler in den internen Parametern der elektronischen	Steuerung. Mindestens 30 Sekunden warten und den Befehl erneut erteilen; sollte dieser Status bleiben, könnte ein schwerer Defekt vorhanden sein, und die elektronische Steuerkarte muss ausgetauscht werden
6-Mal Blinken 1 Sekunde Pause 6-Mal Blinken	Die Höchstgrenze an Bewegungen pro Stunde wurde überschritten.	Ein paar Minuten warten, bis der Bewegungsbegrenzer wieder unter die Höchstgrenze zurückkehrt
7-Mal Blinken 1 Sekunde Pause 7-Mal Blinken	Fehler in den internen elektrischen Kreisläufen	Alle Versorgungskreisläufe ein paar Sekunden lang abtrennen, dann einen Befehl erteilen; sollte dieser Status bleiben, könnte ein schwerer Defekt vorhanden sein, und die elektronische Steuerkarte muss ausgetauscht werden.

7.7.2) Anzeigen durch die Steuerung

An der Steuerung von ROBUS350 befinden sich verschiedene LEDs, von denen jede sowohl im Normalbetrieb als auch bei Störungen besondere Anzeigen geben kann.

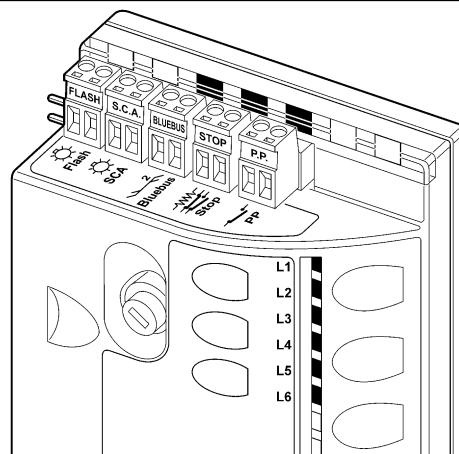


Tabelle Nr. 22: LEDs an den Klemmen der Steuerung

Led BLUEBUS	Ursache	HANDLUNG
Aus	Störung	Prüfen, ob die Stromversorgung vorhanden ist; prüfen, ob die Sicherungen ausgelöst wurden; ggf. die Ursache des Defekts überprüfen, dann die Sicherungen mit anderen mit denselben Merkmalen auswechseln
Ein	Schwere Störung	Eine schwere Störung liegt vor, versuchen, die Steuerung ein paar Sekunden abzuschalten; falls dieser Status bleibt, ist ein Defekt vorhanden und die elektronische Steuerkarte muss ausgetauscht werden
1-Mal Blinken pro Sekunde	Alles OK	Normalbetrieb der Steuerung
2-Mal Schnellblinker	Es erfolgte eine Statusvariation der Eingänge	Ist normal, wenn eine Änderung eines der Eingänge P.P., STOP erfolgt oder die Photozellen ansprechen oder der Funksender benutzt wird
Mehrmaliges Blinken mit 1 Sekunde Pause	Verschiedenes	Ist dieselbe Anzeige, die an der Blinkleuchte gegeben wird. Siehe Tabelle Nr. 21
Led STOP	Ursache	HANDLUNG
Aus	Auslösung des Eingangs STOP	Die am Eingang STOP angeschlossenen Vorrichtungen überprüfen
Ein	Alles OK	Eingang STOP aktiv
Led P.P.	Ursache	HANDLUNG
Aus	Alles OK	Eingang PP nicht aktiv
Ein	Auslösung des Eingangs PP	Ist normal, wenn die an Eingang PP angeschlossene Vorrichtung effektiv aktiviert ist

Tabelle Nr. 23: LEDs an den Tasten der Steuerung

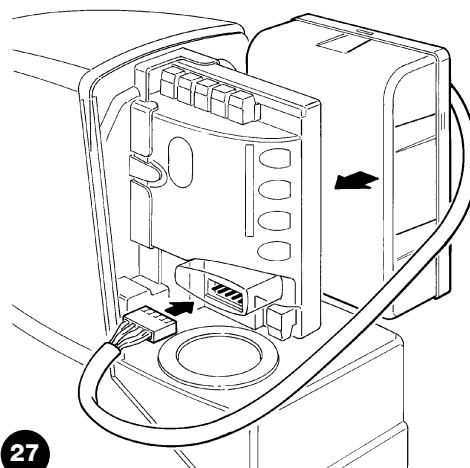
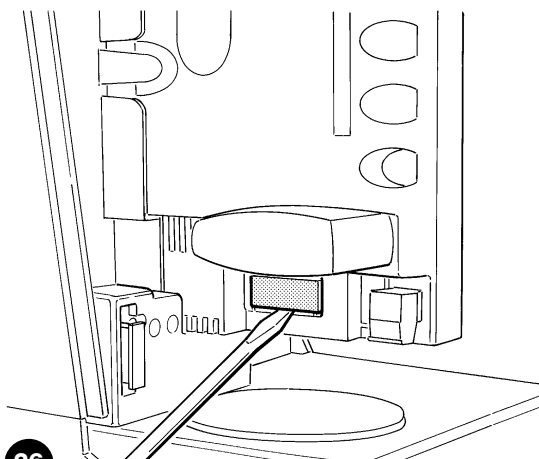
Led 1	Beschreibung
Aus	Zeigt beim Normalbetrieb an: "Automatische Schießung" nicht aktiv
Ein	Zeigt beim Normalbetrieb an: "Automatische Schießung" aktiv
Blinkt	<ul style="list-style-type: none"> • Programmierung der Funktionen im Gang • Falls L1 zusammen mit L2 blinkt, muss die Erlernung der Vorrichtungen ausgeführt werden (siehe Paragraph "4.3 Erlernung der Vorrichtungen").
Led L2	Beschreibung
Aus	Zeigt beim Normalbetrieb an: "Schließt Immer" nicht aktiv.
Ein	Zeigt beim Normalbetrieb an: "Schließt Immer" aktiv.
Blinkt	<ul style="list-style-type: none"> • Programmierung der Funktionen im Gang • Falls L3 zusammen mit L4 blinkt, muss die Erlernung der Torflügelänge ausgeführt werden (siehe Paragraph "4.4 Erlernung der Torflügelänge").
Led L3	Beschreibung
Aus	Zeigt beim Normalbetrieb an: "Schließt Immer" nicht aktiv.
Ein	Zeigt beim Normalbetrieb an: "Schließt Immer" aktiv.
Blinkt	<ul style="list-style-type: none"> • Programmierung der Funktionen im Gang • Falls L3 zusammen mit L4 blinkt, muss die Erlernung der Torflügelänge ausgeführt werden (siehe Paragraph "4.4 Erlernung der Torflügelänge").
Led L4	Beschreibung
Aus	Zeigt beim Normalbetrieb an: "Stand-By" nicht aktiv.
Ein	Zeigt beim Normalbetrieb an: "Stand-By" aktiv.
Blinkt	<ul style="list-style-type: none"> • Programmierung der Funktionen im Gang • Falls L4 zusammen mit L3 blinkt, muss die Erlernung der Torflügelänge ausgeführt werden (siehe Paragraph "4.4 Erlernung der Torflügelänge").
Led L5	Beschreibung
Aus	Zeigt beim Normalbetrieb an: "Anlauf" nicht aktiv.
Ein	Zeigt beim Normalbetrieb an: "Anlauf" aktiv.
Blinkt	Programmierung der Funktionen im Gang
Led L6	Beschreibung
Aus	Zeigt beim Normalbetrieb an: "Vorwarnen" nicht aktiv.
Ein	Zeigt beim Normalbetrieb an: "Vorwarnen" aktiv.
Blinkt	Programmierung der Funktionen im Gang

7.8) Zubehör

Für ROBUS350 ist folgendes Sonderzubehör vorgesehen:

- PS124 24V – 1,2 Ah Pufferbatterie mit eingebautem Batterieladegerät.

Für die vollständige und aktuelle Liste der Zubehöerteile siehe den Produktkatalog der Nice S.p.a.



8) Technische Merkmale

Für eine Verbesserung der Produkte behält sich NICE S.p.a. das Recht vor, die technischen Merkmale jederzeit und ohne vorherige Benachrichtigung zu ändern, wobei aber vorgesehene Funktionalitäten und Einsätze erhalten bleiben.

Alle technischen Merkmale beziehen sich auf eine Temperatur von 20°C (±5°C)

Technische Merkmale: ROBUS350	
Typik	Elektromechanischer Toröffner für die automatische Bewegung von Schiebetoren an Wohngebäuden, komplett mit elektronischer Steuerung
Ritzel	Z: 15; Modul: 4; Teilung: 12,6 mm; Teilkreisdurchmesser: 60 mm
Max. Anlaufdrehmoment	10Nm; entspricht der Fähigkeit, einen Torflügel mit statischer Reibung bis zu 333N in Bewegung zu setzen
Nennndrehmoment	6Nm; entspricht der Fähigkeit, einen Torflügel mit dynamischer Reibung bis zu 200N in Bewegung zu halten
Geschwindigkeit mit Nennndrehmoment	0,18m/s
Geschwindigkeit ohne Last (die Steuerung ermöglicht die Programmierung von 6 Geschwindigkeiten gleich ca. 100, 85, 70, 55, 45, 30%)	0,34m/s
Max. Anzahl der Betriebszyklen	50 Zyklen pro Tag (die Steuerung begrenzt die Anzahl der Zyklen auf das maximal Vorgesehene – siehe die Tabellen Nr. 1 und 2)
Höchstzeit Dauerbetrieb	10 Minuten (die Steuerung begrenzt den Dauerbetrieb auf das maximal Vorgesehene – siehe die Tabellen Nr. 1 und 2)
Einsatzgrenzen	Gewöhnlich ist ROBUS350 imstande, Tore mit einem Gewicht bis 350 Kg oder einer Länge bis 15 m zu nach den in den Tabellen Nr. 1 und 2 vorgesehenen Grenzen zu automatisieren
Versorgung ROBUS350	230Vac (+10% +15%) 50/60Hz.
Versorgung ROBUS350/V1	120Vac (+10% +15%) 50/60Hz.
Max. Leistungsaufnahme	250VA
Isolationsklasse	1 (Sicherheitserdung ist erforderlich)
Notversorgung	Mit Sonderzubehör PS124
Ausgang Blinkleuchte	Für 1 Blinkleuchte LUCYB (Glühbirne 12V, 21W)
Ausgang BLUEBUS	Ein Ausgang mit einer Höchstlast von 15 Bluebus Einheiten
Eingang STOP	Für gewöhnlich geschlossene, gewöhnlich geöffnete Kontakte oder mit konstantem 8,2kΩ Widerstand; in Selbsterlernung (eine Variation im Vergleich zum gespeicherten Status verursacht den Steuerbefehl "STOP")
Eingang PP	Für gewöhnlich geöffnete Kontakte (das Schließen des Kontaktes verursacht den Steuerbefehl P.P. = Schrittbetrieb)
Eingang Funkantenne	52Ω für Kabel Typ RG58 oder ähnliche
Programmierbare Funktionen	6 ON-OFF-Funktionen und 6 einstellbare Funktionen (siehe die Tabellen Nr. 12 und 14)
Funktionen in Selbsterlernung	Selbsterlernung der am Ausgang BlueBUS angeschlossenen Vorrichtungen Selbsterlernung der "STOP"-Vorrichtung (NO-Kontakt, NC-Kontakt oder 8,2kΩ Widerstand). Selbsterlernung der Torlänge und Berechnung der Stellen, an denen die Verlangsamung und die Teilöffnung erfolgt.
Betriebstemperatur	-20°C ÷ 50°C
Benutzung in säure- und salzhaltiger oder explosionsgefährdeter Atmosphäre	Nein
Schutzart	IP 44
Abmessungen und Gewicht	330 x 195 h 277; 8Kg

Technische Merkmale	Funkempfänger: SMXI	Funkempfänger: SMXIS
Typik	4-kanaliger Empfänger für Funksteuerung	
Frequenz	433.92MHz	
Codierung	Digital Rolling Code 52 Bit, Typ FLOR	Digital Rolling Code 64 Bit, Typ SMILO
Kompatibilität der Sender	FLOR, VERY VR; nur Einzelgruppe: ERGO, PLANO, PLANOTIME	SMILO
Speicherbare Sender	Bis zu 256, falls im Modus I gespeichert	
Eingangsimpedanz	52Ω	
Empfindlichkeit	besser als 0.5µV	
Reichweite der Sender	Von 100 bis 150 m. Diese Entfernung kann bei Vorhandensein von Hindernissen und elektromagnetischen Störungen variieren und ist durch die Position der Empfangsantenne beeinflusst.	
Ausgänge	4 (an Verbinder SM)	
Betriebstemperatur	-10°C ÷ 55°C	

Technische Merkmale	Sender: FLO2R-S	Sender: SM2
Typik	2-kanaliger Sender für Funksteuerung	
Frequenz	433.92MHz	
Codierung	Digital Rolling Code 52 Bit, Typ FLOR	Digital Rolling Code 64 Bit, Typ SMILO
Tasten	2	
Versorgung	12Vdc mit 23A Batterie	
Aufnahme	25mA	
Dauer der Batterien	1 Jahre, geschätzt auf 10 Befehlen/Tag mit einer Dauer von 1s bei 20°C (bei niedrigen Temperaturen verkürzt sich die Dauer der Batterien)	
Abgestrahlte Leistung	100µW	
Abmessungen und Gewicht	72 x 40 h 18mm / 30g	Durchmesser 48 h14mm / 18g

Anweisungen und Hinweise für den Benutzer des Toröffners ROBUS

Wir gratulieren Ihnen zu Ihrer Wahl eines Nice Produktes für Ihre Automatisierung! Nice S.p.A. stellt Bestandteile für die Automatisierung von Türen und Toren, Rollladen, Behängen und Markisen her, wie Getriebemotoren, Steuerungen, Funksteuerungen, Blinkleuchten, Photozellen und Zubehör. Nice verwendet ausschließlich Werkstoffe und Verarbeitungen hochstehender Qualität und ist aufgrund der Nice Betriebsphilosophie immer auf der Suche nach innovativen Lösungen, um die Verwendung der Nice Apparaturen, vom technischen, ästhetischen und ergonomischen Standpunkt her besonders gepflegt, zu erleichtern: Ihr Installateur wird bestimmt das richtige Produkt in der großen Nice Palette für Sie ausgewählt haben. Nice ist jedoch nicht der Hersteller Ihrer Automatisierung, die das Ergebnis von Analysen, Bewertungen, Auswahl der Materialien und der Durchführung der Anlage durch Ihren Vertrauensinstallateur ist. Jede Automatisierung ist einzigartig, und nur Ihr Installateur besitzt die Erfahrung und Professionalität, die notwendig sind, um eine Anlage nach Ihrem Bedarf auszuführen, die sicher und dauerhaft zuverlässig und vor allem fachgerecht ist bzw. den gültigen Vorschriften entspricht. Eine Automatisierungsanlage ist etwas sehr bequemes, aber auch ein wertvolles Sicherheitssystem und dauert mit nur wenigen Eingriffen bestimmt jahrelang. Auch wenn Ihre Automatisierung den von den Vorschriften geforderten Sicherheitsniveaus entspricht, schließt dies das Vorhandensein von "Restrisiken" nicht aus, womit die Möglichkeit gemeint ist, dass gewöhnlich aufgrund eines verantwortungslosen oder falschen Gebrauchs Gefahren erzeugt werden können; wir möchten Ihnen deshalb ein paar Ratschläge geben, wie Sie sich verhalten sollten, um allen Unannehmlichkeiten aus dem Weg zu gehen:

• **Bevor Sie die Automatisierung** zum ersten Mal verwenden, lassen Sie sich von Ihrem Installateur erklären, wie Restrisiken entstehen können, und widmen Sie dem Lesen der Anweisungen und Hinweise für den Benutzer, die Ihnen Ihr Installateur aushändigen wird, ein paar Minuten. Bewahren Sie die Anleitung für zukünftige Zweifelsfälle auf und übergeben Sie diese ggf. einem neuen Besitzer der Automatisierung.

• **Ihre Automatisierung** ist eine Maschine, die Ihre Befehle getreu durchführt; ein verantwortungsloser und unsachgemäßer Gebrauch kann gefährlich werden: verursachen Sie keine Bewegung der Automatisierung, wenn sich Personen, Tiere oder Gegenstände in ihrem Aktionskreis befinden.

• **Kinder:** eine Automatisierungsanlage gewährleistet einen hohen Sicherheitsgrad und verhindert mit ihren Schutzsystemen, dass sie sich bei Anwesenheit von Personen und Gegenständen bewegt, und gewährleistet eine immer vorhersehbare und sichere Aktivierung. Als Vorsichtsmaßnahme sollte man aber Kindern verbieten, in der Nähe der Automatisierung zu spielen, und man sollte die Fernbedienungen nicht in der Reichweite von Kindern lassen: **es handelt sich nicht um ein Spiel!**

• **Störungen:** Schalten Sie die Stromversorgung zur Anlage ab, sobald Sie ein ungewöhnliches Verhalten der Automatisierung bemerken, und führen Sie die manuelle Entriegelung aus. Versuchen Sie nie, selbst Reparaturen auszuführen, sondern fordern Sie den Eingriff Ihres Vertrauensinstallateurs an: in der Zwischenzeit, nachdem Sie den Getriebemotor wie weiter vorne beschrieben entriegelt haben, kann die Anlage wie eine nicht automatisierte Vorrichtung funktionieren.

• **Wartung:** Wie jede Maschine benötigt auch Ihre Automatisierung eine regelmäßige Wartung, damit sie so lange wie möglich und in voller Sicherheit funktionieren kann. Vereinbaren Sie mit Ihrem Installateur einen programmierten Wartungsplan. Nice empfiehlt eine programmierte Wartung alle sechs Monate bei Normalgebrauch für den Haushalt, dieser Zeitraum kann aber je nachdem, wie häufig die Anlage benutzt wird, unterschiedlich sein. Arbeiten wie Wartung, Kontrollen und Reparaturen dürfen nur von Fachpersonal ausgeführt werden.

• Auch wenn Sie meinen, dass Sie wissen, wie das gemacht wird, ändern Sie die Anlage und die programmierten Parameter sowie die Einstellungen der Automatisierung nicht: diese Verantwortung steht Ihrem Installateur zu.

• Die Endprüfung, die periodischen Wartungen und eventuelle Reparaturen müssen von dem, der diese Arbeiten ausführt, belegt sein, und diese Belege müssen vom Besitzer der Anlage aufbewahrt werden.

Die einzigen Eingriffe, die Sie ausführen und periodisch auch ausführen sollten, sind die Reinigung der Gläser an den Photozellen und die Entfernung eventueller Blätter oder Steine, die den Automatismus behindern könnten. Um zu verhindern, dass jemand das Tor betätigt, entriegeln Sie vor diesen Arbeiten den Automatismus (wie weiter vorne beschrieben). Zur Reinigung nur ein mit Wasser leicht benetztes Tuch verwenden.

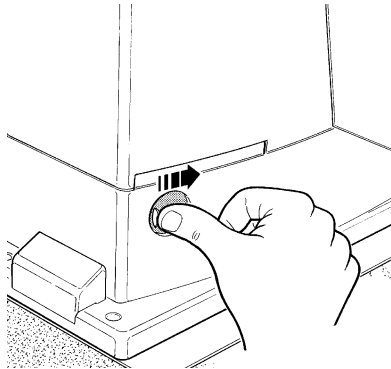
• **Entsorgung:** Versichern Sie sich, dass die Entsorgung am Ende der Lebensdauer Ihrer Automatisierung von Fachpersonal gemacht wird und dass die Materialien nach den örtlich gültigen Vorschriften recycled oder entsorgt werden.

• **Im Falle von Defekten oder bei Stromausfall:** Warten Sie auf Ihren Installateur oder bis der Strom wieder vorhanden ist, falls Ihre Anlage keine Pufferbatterie hat; die Anlage kann wie eine beliebige nicht automatisierte Öffnungsvorrichtung betätigt werden. Dazu muss die manuelle Entriegelung ausgeführt werden. Dieser Vorgang, der einzige, den der Benutzer der Automatisierung ausführen kann, wurde mit besonderer Aufmerksamkeit von Nice behandelt, damit Sie diese Vorrichtung immer mit größter Einfachheit, ohne Werkzeug und ohne körperliche Anstrengungen betätigen können.

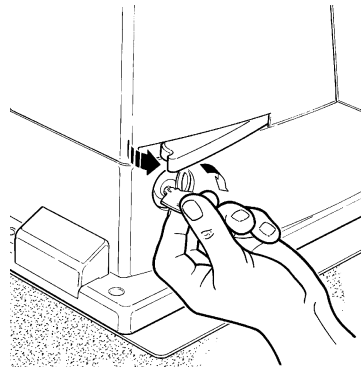
Entriegelung und Bewegung von Hand.

ACHTUNG: der Torflügel kann nur entriegelt werden, wenn er steht.

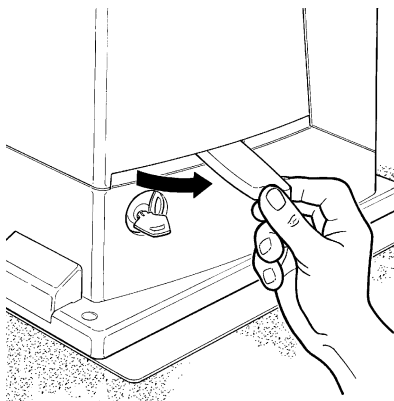
1 Den Schlossteckel gleiten lassen



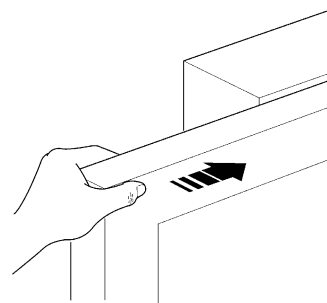
2 Den Schlüssel stecken und im Uhrzeigersinn drehen



3 Am Entriegelungsgriff ziehen



4 Den Torflügel von Hand bewegen



Zum Verriegeln dieselben Vorgänge umgekehrt ausführen

Torbewegung mit Sicherheitsvorrichtungen außer Betrieb: sollten die am Tor vorhandenen Sicherheitsvorrichtungen nicht korrekt funktionieren, kann das Tor trotzdem bewegt werden.

- Einen Befehl zur Bewegung des Tors erteilen (mit der Fernbedienung, dem Schlüsseltaster, usw.); wenn alles in Ordnung ist, wird sich das Tor normal öffnen oder schließen, andernfalls wird die Blinkleuchte mehrmals blinken und es erfolgt keine Bewegung (die Anzahl der Blinkvorgänge hängt von der Ursache ab, warum keine Bewegung erfolgt).
- In diesem Fall muss die Schaltung innerhalb von drei Sekunden erneut betätigt werden und betätigt bleiben.
- Nach ca. 2s wird die Torbewegung im Modus "Totmann" erfolgen. Das bedeutet, dass sich das Tor bewegen wird, solange Sie die Schaltung betätigen; sobald Sie diese loslassen, steht das Tor.

⚠ Wenn die Sicherheitsvorrichtungen außer Betrieb sind, muss der Automatismus so schnell wie möglich repariert werden.

Ersatz der Batterie der Fernbedienung: falls Ihre Funksteuerung nach einiger Zeit anscheinend schlechter oder gar nicht funktioniert, so könnte das ganz einfach von der leeren Batterie abhängen (je nach Batterie kann das nach mehreren Monaten bis zu mehr als einem Jahr geschehen). Sie können das an dem Leuchtmelder bemerken, der die Sendung bestätigt und nur schwach oder gar nicht oder nur ganz kurz leuchtet. Bevor Sie sich an den Installateur wenden, versuchen Sie, die Batterie mit der eines anderen, funktionierenden Senders auszuwechseln: sollte das die Ursache sein, genügt es, die alte Batterie mit einer anderen gleichen Typs auszuwechseln. Achtung: Batterien enthalten Schadstoffe: nicht in den Stadtmüll geben, sondern nach den örtlichen Verordnungen entsorgen.

Sind Sie zufrieden? Wenn Sie eine neue Automatisierung für Ihr Haus wollen und sich an denselben Installateur und an Nice wenden, werden Sie sich die Beratung eines Fachmanns und die fortgeschrittensten Produkte auf dem Markt, aber auch den besten Betrieb und die größte Verträglichkeit zwischen den Automatisierungen zusichern. Wir danken Ihnen, dass Sie diese Ratschläge gelesen haben, und wünschen Ihnen größte Zufriedenheit mit Ihrer neuen Anlage: wenden Sie sich für gegenwärtige oder zukünftige Bedarfsfälle vertrauensvoll an Ihren Installateur.

Robus350

Índice:	pág.
1 Advertencias	91
2 Descripción del producto y uso previsto	91
2.1 Límites de utilización	91
2.2 Instalación típica	92
2.3 Lista de los cables	92
3 Instalación	92
3.1 Controles preliminares	93
3.2 Fijación del motorreductor	93
3.3 Instalación de los diferentes dispositivos	94
3.4 Conexiones eléctricas	94
3.5 Descripción de las conexiones eléctricas	95
4 Controles finales y puesta en marcha	95
4.1 Selección de la dirección	95
4.2 Conexión de la alimentación	96
4.3 Aprendizaje de los dispositivos	96
4.4 Aprendizaje de la longitud de la puerta	96
4.5 Control del movimiento de la puerta	96
4.6 Funciones predeterminadas	96
4.7 Memorización de los transmisores	97
4.7.1 Memorización en modo I	97
4.7.2 Memorización en modo II	97
4.7.3 Memorización a distancia	98
4.7.4 Borrado de los transmisores	98
4.7.5 Declaración de conformidad del receptor	98
5 Ensayo y puesta en servicio	98
5.1 Ensayo	99
5.2 Puesta en servicio	99
6 Mantenimiento y desguace	99
6.1 Mantenimiento	99
6.2 Desguace	99
7 Otras informaciones	100
7.1 Botones de programación	100
7.2 Programaciones	100
7.2.1 Funciones de primer nivel (funciones ON-OFF)	100
7.2.2 Programación de primer nivel (funciones ON-OFF)	101
7.2.3 Funciones de segundo nivel (parámetros regulables)	101
7.2.4 Programación de segundo nivel (parámetros regulables)	102
7.2.5 Ejemplo de programación de primer nivel (funciones ON-OFF)	102
7.2.6 Ejemplo de programación de segundo nivel (parámetros regulables)	103
7.3 Instalación o desinstalación de dispositivos	103
7.3.1 BlueBUS	103
7.3.2 Entrada STOP	103
7.3.3 Fococélulas	104
7.3.4 Aprendizaje de otros dispositivos	104
7.4 Funciones especiales	104
7.4.1 Función "Abrir siempre"	104
7.4.2 Función "Mover igualmente"	104
7.5 Conexión de otros dispositivos	105
7.6 Solución de los problemas	105
7.7 Diagnóstico y señales	105
7.7.1 Señales con la luz intermitente	106
7.7.2 Señales en la central	106
7.8 Accesorios	107
8 Características técnicas	108
Instrucciones y advertencias para el usuario del motorreductor ROBUS	109

1) Advertencias

Este manual de instrucciones contiene informaciones importantes en materia de seguridad para la instalación; es necesario leer detenidamente todas las instrucciones antes de comenzar la instalación. Conserve este manual en buenas condiciones para su consulta posterior.

Considerando las situaciones de peligro que pueden generarse durante la instalación y el uso de ROBUS350 es oportuno que también la instalación sea realizada respetando plenamente las leyes, normas y reglamentos. En este capítulo se indicarán las advertencias de tipo general; otras advertencias importantes están presentes en los capítulos "3.1 Controles preliminares" y "5 Ensayo y puesta en servicio".

⚠ según la legislación europea más reciente, la realización de una puerta o cancela automática entra en el ámbito de las disposiciones de la Directiva 98/37/CE (Directiva de Máquinas) y, en particular, de las normas: EN 12445; EN 12453 y EN 12635 que permiten declarar la presunción de conformidad.

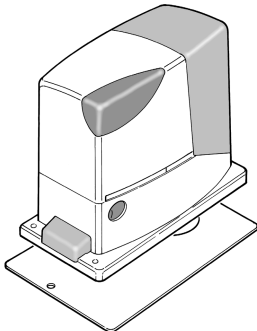
Más informaciones, directrices para el análisis de los riesgos y para la realización del Expediente Técnico están disponibles en: "www.niceforyou.com".

- Este manual está destinado exclusivamente a personal técnico cualificado para la instalación. Salvo el anexo específico que el instalador se encargará de separar, "Instrucciones y advertencias destinadas al usuario del motorreductor ROBUS", ninguna de las informaciones aquí incluidas puede ser de interés para el usuario final.
- Está prohibido utilizar el ROBUS350 con una finalidad diferente de aquella dispuesta en estas instrucciones; un uso inadecuado puede causar peligros o daños a las personas o bienes.

- Antes de comenzar la instalación es oportuno efectuar un análisis de los riesgos que incluya la lista de los requisitos esenciales de seguridad previstos en el anexo I de la Directiva de Máquinas, indicando las soluciones correspondientes adoptadas. Recuérdese que el análisis de los riesgos es uno de los documentos que forman el "expediente técnico" del automatismo.
- Compruebe si es necesario incorporar otros dispositivos que puedan servir para completar el automatismo con ROBUS350 según la situación de empleo específica y los peligros presentes: por ejemplo, deben considerarse los peligros de impacto, aplastamiento, corte, arrastre, etc. y otros peligros en general.
- No modifique ninguna parte salvo que esté previsto en estas instrucciones; los trabajos de este tipo pueden causar solamente desperfectos; NICE no es responsable de los daños que deriven de productos modificados.
- Durante la instalación y el uso procure que no puedan entrar elementos sólidos o líquidos dentro de la central o de otros dispositivos abiertos; de ser oportuno, diríjase al servicio de asistencia NICE; el uso de ROBUS350 en situaciones análogas puede originar peligros.
- El automatismo no puede utilizarse antes de haberlo puesto en servicio tal como especificado en el capítulo "5 Ensayo y puesta en servicio".
- El material de embalaje de ROBUS350 debe eliminarse respetando la normativa local.
- Si el desperfecto no pudiera resolverse utilizando las informaciones indicadas en este manual, diríjase al servicio de asistencia NICE.
- Si se desconectaran los interruptores automáticos o los fusibles, antes de restablecerlos hay que localizar y eliminar la avería.
- Antes de acceder a los bornes en el interior de la tapa de ROBUS350, desconecte todos los circuitos de alimentación; si el dispositivo de desconexión no queda a la vista colóquelo un cartel que diga "ATENCIÓN MANTENIMIENTO EN CURSO".

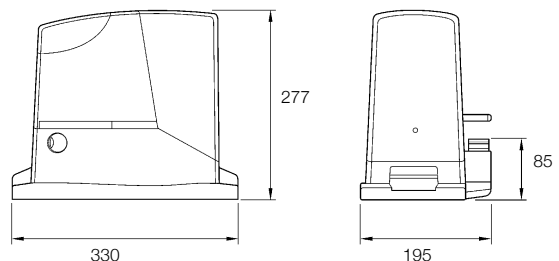
2) Descripción del producto y uso previsto

ROBUS350 es un motorreductor electromecánico para mover automáticamente las puertas de corredera para uso residencial, dispone de una central electrónica de control y de un receptor por radiomando. Las conexiones eléctricas hacia los dispositivos externos son sencillas gracias a la utilización de "BlueBUS", una técnica que permite conectar diversos dispositivos con 2 cables solamente.



1

El ROBUS350 funciona con energía eléctrica; si esta se cortara, es posible desbloquear el motorreductor mediante una llave y mover la puerta manualmente; también es posible utilizar el accesorio opcional: batería compensadora PS124 que permite realizar algunas maniobras incluso ante el fallo de la alimentación de red.



2.1) Límites de utilización

Los datos referidos a las prestaciones de ROBUS350 están indicados en el capítulo "8 Características técnicas" y son los únicos valores que permiten la evaluación correcta de la idoneidad para su uso. Generalmente, ROBUS350 es adecuado para automatizar puertas de hasta 350 kg de peso o de hasta 15 m de largo, según las indicaciones de las tablas N°1 y N°2.

La longitud de la hoja permite determinar la cantidad máxima de ciclos por hora y de ciclos consecutivos, mientras que el peso permite determinar el porcentaje de reducción de los ciclos y la velocidad máxima admitida; por ejemplo, si la hoja tiene una longitud de 5 m admitiría 10 ciclos/hora y 6 ciclos consecutivos, pero si la hoja pesa 240 kg hay que reducir los ciclos al 80%, el resultado es 8 ciclos/hora y cerca de 5 ciclos consecutivos, mientras que la velocidad máxima admitida es V5: muy rápida. Para evitar recalentamientos, la central incorpora un limitador que se basa sobre el esfuerzo

del motor y la duración de los ciclos, interviniendo cuando se supera el límite máximo.

Tabla N°1: límites con relación a la longitud de la hoja

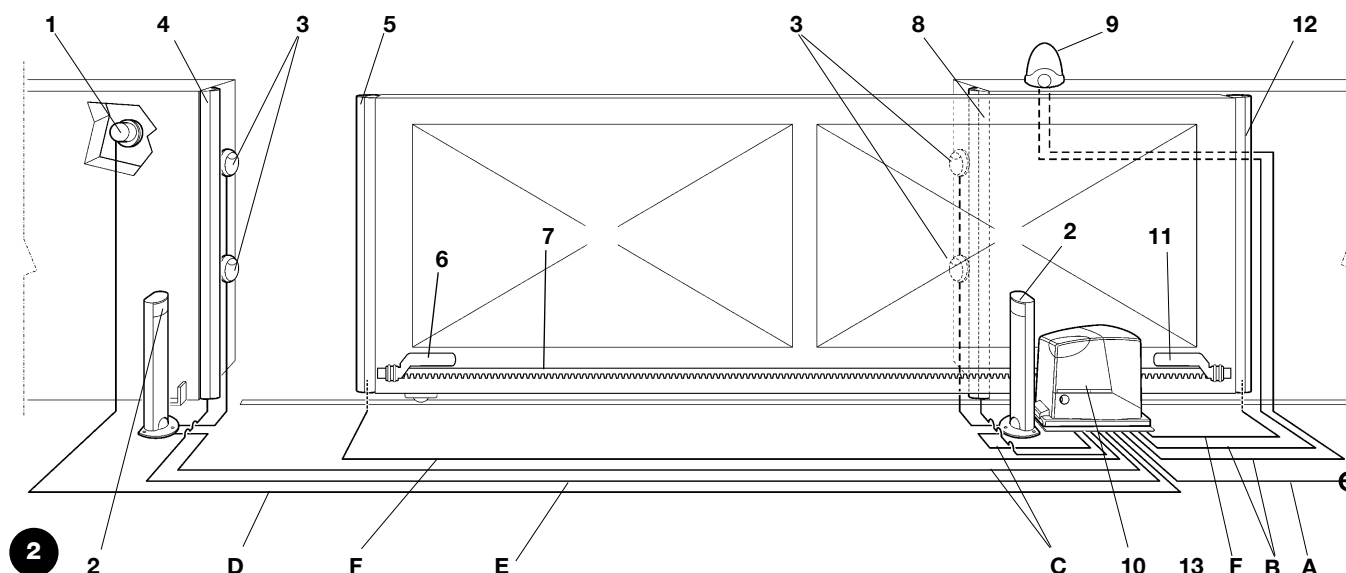
Longitud hoja metros	ciclos/hora máximos	ciclos consecutivos máximos
Hasta 3	30	20
3÷5	18	12
5÷6	15	10
6÷7	12	8

Tabla N°2: límites con relación al peso de la hoja

Peso hoja kg.	Porcentaje ciclos	Velocidad máxima admitida
Hasta 200	100%	V6 = Rapidísimo
200÷250	90%	V5 = Muy rápido
250÷300	80%	V4 = Rápido
300÷350	70%	V3 = Medio

2.2) Instalación típica

La figura 1 muestra la instalación típica de la automatización de una puerta de corredera utilizando ROBUS350



- | | |
|---|--|
| 1 Selector de llave | 8 Banda neumática secundaria montada en elemento fijo (opcional) |
| 2 Focélulas en columna | 9 Luz intermitente con antena incorporada |
| 3 Focélulas | 10 ROBUS350 |
| 4 Banda neumática principal montada en elemento fijo (opcional) | 11 Soportes de fin de carrera "Cerrado" |
| 5 Banda neumática principal montada en elemento móvil | 12 Banda neumática secundaria montada en elemento móvil (opcional) |
| 6 Soportes de fin de carrera "Abierto" | 13 Transmisor |
| 7 Cremallera | |

2.3) Lista de los cables

En la instalación típica de la figura 1 se indican también los cables necesarios para las conexiones de los diversos dispositivos; en la tabla N°3 se indican las características de los cables.

⚠ Los cables utilizados deben ser adecuados para el tipo de instalación; por ejemplo, se aconseja un cable tipo H03VV-F para instalación en interiores o bien H07RN-F para instalación en exteriores.

Tabla N°3: lista de los cables

Conexión	Tipo de cable	Longitud máxima admitida
A: Línea eléctrica de alimentación	1 cable 3x1,5mm ²	30m (nota 1)
B: Luz intermitente con antena	1 cable 2x0,5mm ²	20m
	1 cable blindado tipo RG58	20m (aconsejado menos de 5 m)
C: Focélulas	1 cable 2x0,5mm ²	30m (nota 2)
D: Selector de llave	2 cables 2x0,5mm ² (nota 3)	50m
E: Bandas montadas en elemento fijo	1 cable 2x0,5mm ² (nota 4)	30m
F: Bandas montadas en elemento móvil	1 cable 2x0,5mm ² (nota 4)	30m (nota 5)

Nota 1: si el cable de alimentación mide más de 30 m debe tener una sección más grande, por ejemplo 3x2,5mm² y es necesaria una puesta a tierra de seguridad cerca del automatismo.

Nota 2: si el cable "BLUEBUS" mide más de 30 m, hasta un máximo de 50 m, se necesita un cable de 2x1mm².

Nota 3: los dos cables 2x0,5mm² pueden sustituirse con un solo cable 4x0,5mm².

Nota 4: si se incorpora más de una banda neumática, véase el capítulo "7.3.2 Entrada STOP" para el tipo de conexión aconsejada

Nota 5: para la conexión de las bandas neumáticas montadas en el elemento móvil de la puerta de corredera hay que utilizar dispositivos oportunos que permitan la conexión también con la hoja en movimiento.

3) Instalación

⚠ La instalación de ROBUS350 debe ser efectuada por personal cualificado, respetando las leyes, normas y reglamentos y las indicaciones de las presentes instrucciones.

3.1) Controles preliminares

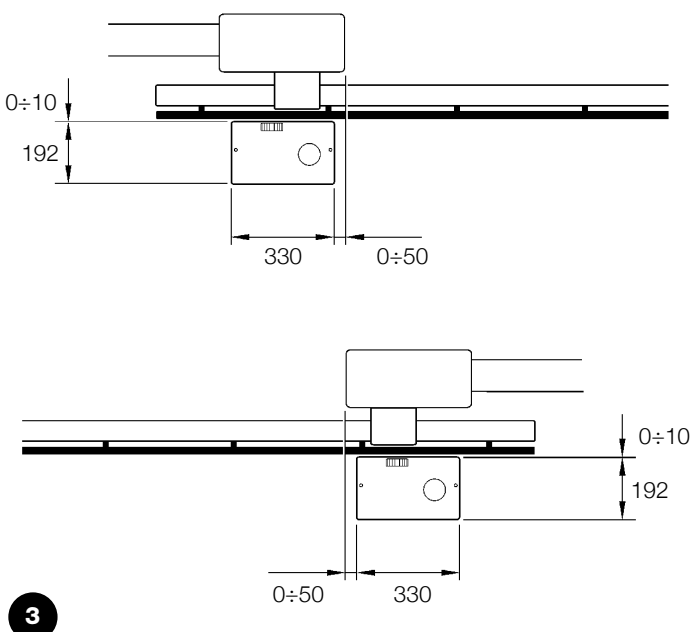
Antes de comenzar con la instalación de ROBUS350 es necesario efectuar los siguientes controles:

- Controle que todo el material a utilizar esté en perfecto estado, sea adecuado para su uso y que respete las normas.
- Controle que la estructura de la puerta sea adecuada para su automatización.
- Controle que el peso y las dimensiones de la hoja respeten los límites de utilización indicados en el capítulo "2.1 Límites de utilización"
- Controle, comparando con los valores indicados en el capítulo "8 Características técnicas", que la fricción estática (es decir la fuerza necesaria para poner en movimiento la hoja) sea inferior a la mitad del "Par máximo" y que la fricción dinámica (es decir la fuerza necesaria para mantener la hoja en movimiento) sea inferior a la mitad del "Par nominal"; se aconseja un margen del 50% en las fuerzas porque las condiciones climáticas adversas pueden aumentar las fricciones.
- Controle que en toda la carrera de la puerta, tanto de cierre como de apertura, no haya puntos de mayor fricción.
- Controle que no exista el peligro de que la hoja se descarrile y que no se pueda salir de las guías
- Controle la robustez de los topes mecánicos de sobrerrecorrido, controlando que no se produzcan deformaciones tampoco si la puerta golpeara con fuerza contra el tope.
- Controle que la puerta esté bien equilibrada, es decir que no se mueva al dejarla detenida en cualquier posición.
- Controle que la zona de fijación del motorreductor no pueda inundarse; de ser oportuno, monte el motorreductor levantado del piso.
- Controle que la zona de fijación del motorreductor permita el desbloqueo y una maniobra manual fácil y segura.
- Controle que los puntos de fijación de los distintos dispositivos se encuentren en zonas protegidas de choques y que las superficies sean suficientemente firmes.
- Evite que los componentes del automatismo puedan quedar sumergidos en agua o en otras sustancias líquidas.
- No coloque ROBUS350 cerca de llamas o fuentes de calor, en atmósferas con riesgo de explosión, muy ácidas o salinas, porque ROBUS350 podría arruinarse y tener problemas de funcionamiento o generar situaciones de peligro.
- Si hubiera un portillón de paso en la misma hoja o una puerta en la zona de movimiento de la hoja, asegúrese de que no obstaculice la carrera normal e incorpore un sistema de interbloqueo oportuno en su caso
- Conecte la central a una línea de alimentación eléctrica dotada de puesta a tierra de seguridad.
- La línea de alimentación eléctrica debe estar protegida por un dispositivo magnetotérmico y diferencial adecuado.
- En la línea de alimentación de la red eléctrica hay que montar un dispositivo de desconexión de la alimentación (con categoría de sobretensión III es decir distancia entre los contactos de 3,5 mm como mínimo) u otro sistema equivalente, por ejemplo una toma y una clavija. Si el dispositivo de desconexión de la alimentación no está cerca del automatismo, coloque un sistema de bloqueo a fin de evitar la conexión accidental o no autorizada.

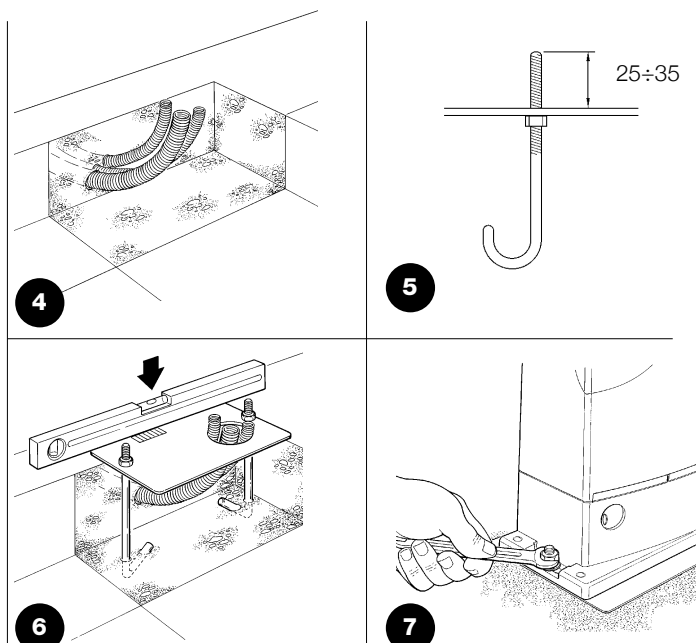
3.2) Fijación del motorreductor

Si ya existe la superficie de apoyo, el motorreductor se fija directamente sobre la superficie utilizando medios adecuados, por ejemplo tacos de expansión. Por el contrario, para fijar el motorreductor:

1. Efectúe un pozo para una cimentación de dimensiones adecuadas, utilizando como referencia las cotas indicadas en la Figura 3.
2. Haga llegar uno o varios tubos para que pasen los cables eléctricos, como muestra la Figura 4.
3. Ensamble las dos grapas en la placa de cimentación colocando una tuerca abajo y una arriba de la placa; la tuerca debajo de la placa se enrosca hasta el fondo de la rosca a fin de que la parte rosca sobresalga en torno a 25÷35 mm por encima de la placa.



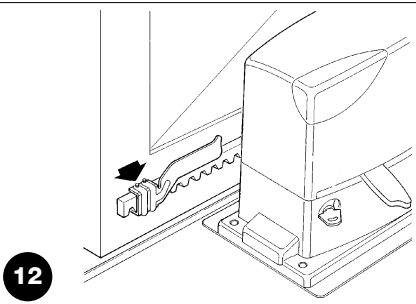
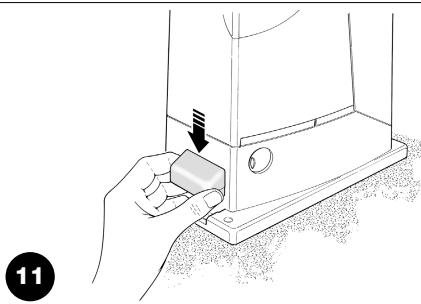
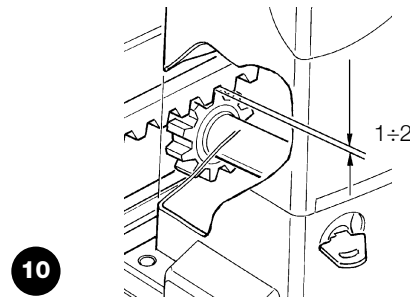
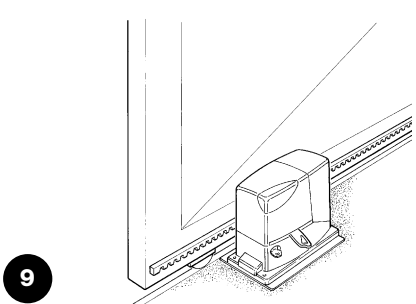
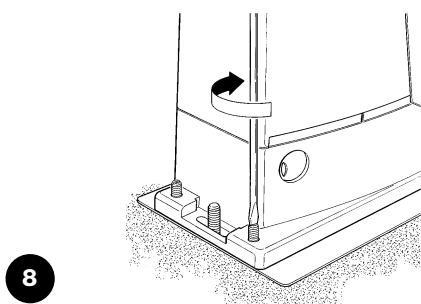
4. Haga la colada de hormigón y, antes de que comience a fraguar, coloque la placa de cimentación según las cotas indicadas en la figura 3; compruebe que quede paralela a la hoja y perfectamente nivelada. Espere el fin de fraguado del hormigón.
5. Quite las 2 tuercas superiores de la placa y apoye el motorreductor; compruebe que quede perfectamente paralelo respecto de la hoja y después enrosque ligeramente las 2 tuercas y arandelas entregadas, como muestra la figura 7.



Si la cremallera está instalada, una vez fijado el motorreductor, ajuste los pasadores de regulación, como muestra la figura 8 para colocar el piñón de ROBUS350 a la altura justa dejando 1÷2 mm de juego desde la cremallera. Por el contrario, para fijar la cremallera:

6. Desbloquee el motorreductor tal como indicado en el párrafo "Desbloqueo y movimiento manual" en el capítulo "Instrucciones y advertencias destinadas al usuario del motorreductor ROBUS".

7. Abra completamente la puerta, apoye sobre el piñón el primer tramo de cremallera y controle que el comienzo de la cremallera corresponda al comienzo de la puerta, tal como muestra la figura 9. Controle que entre el piñón y la cremallera haya un juego de 1÷2 mm, después fije la cremallera en la hoja utilizando los elementos adecuados.



⚠ Para evitar que el peso de la puerta pueda cargar sobre el motorreductor, es importante que entre la cremallera y el piñón haya un juego de 1÷2 mm tal como muestra la figura 10.

- 8.** Haga deslizar la hoja y utilice siempre el piñón como referencia para fijar los demás elementos de la cremallera.
- 9.** Corte la parte excedente del último tramo de la cremallera.
- 10.** Realice varias maniobras de apertura y cierre, comprobando que la cremallera se deslice alineada al piñón con una desalineación máxima de 5 mm y que a todo lo largo se haya respetado un juego de 1÷2 mm entre el piñón y la cremallera.

11. Apriete con fuerza las tuercas de fijación del motorreductor a fin de que quede fijado firmemente al piso; cubra las tuercas de fijación con las tapas correspondientes, figura 11.

12. Fije con los tornillos sin cabeza correspondientes los soportes de fin de carrera de "Apertura" y de "Cierre" en los extremos de la cremallera, véase figura 12. Considere que cuando se activan los fines de carrera, la puerta se moverá otros 2÷3 cm; por lo que se aconseja colocar los soportes del fin de carrera dejando un margen oportuno respecto de los topes mecánicos.

13. Bloquee el motorreductor tal como indicado en el párrafo "Desbloqueo y movimiento manual" en el capítulo "Instrucciones y advertencias destinadas al usuario del motorreductor ROBUS".

3.3) Instalación de los diferentes dispositivos

Instale los demás dispositivos siguiendo las instrucciones correspondientes. Controle en el párrafo "3.5 Descripción de las conexiones eléctricas" y en la figura 1, los dispositivos que pueden conectarse a ROBUS350.

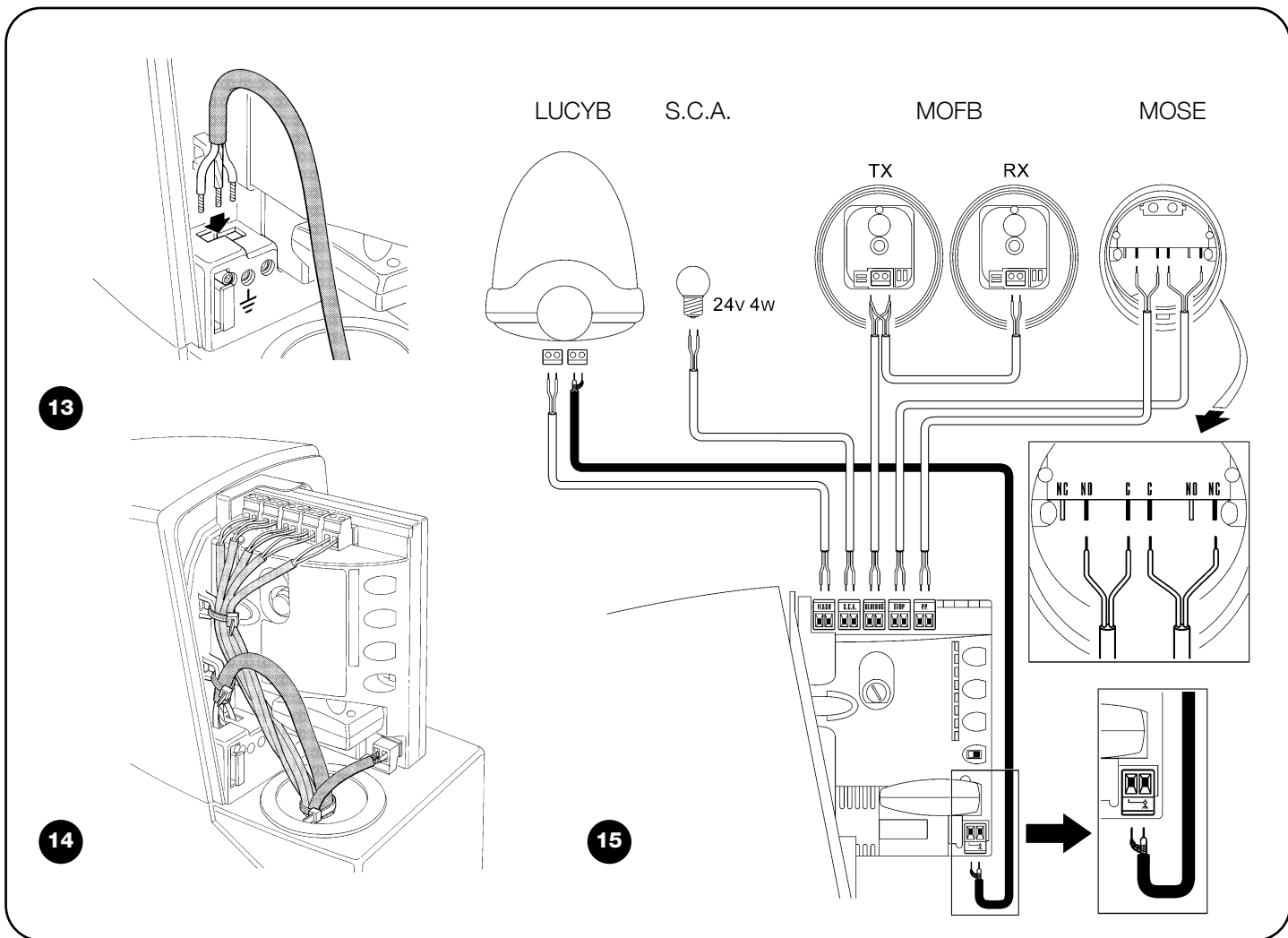
3.4) Conexiones eléctricas

⚠ Todas las conexiones eléctricas se deben efectuar sin tensión en la instalación y, en su caso, con la batería compensadora desconectada.

- 1.** Para desmontar la tapa de protección y acceder a la central electrónica de control de ROBUS350 quite el tornillo del costado y extraiga la tapa tirando de ella hacia arriba.
- 2.** Quite la membrana de goma que cierra el agujero para la entrada de los cables e introduzca todos los cables de conexión hacia los distintos dispositivos, dejándolos 20÷30 cm más largos de lo necesario. Véase la tabla N°3 para el tipo de cable y la figura 1 para las conexiones.
- 3.** Con una brida reúna todos los cables que entran en el motorreductor, y colóquela un poco más abajo del agujero de entrada de los cables. En la membrana de goma corte un agujero un poco

más estrecho que el diámetro de los cables recogidos e introduzca la membrana a lo largo de los cables hasta la brida; entonces, vuelva a colocar la membrana en el alojamiento del agujero para el paso de los cables. Coloque otra brida para recoger los cables un poco más arriba de la membrana.

- 4.** Conecte el cable de alimentación en el borne correspondiente, como muestra la figura 13 y con una brida bloquee el cable en el primer anillo sujetacable.
- 5.** Conecte los demás cables según el esquema de la figura 15 Para una mayor comodidad, los bornes pueden extraerse.
- 6.** Una vez concluidas las conexiones, bloquee con bridas los cables reunidos en el segundo anillo sujetacables, la parte sobrante del cable de la antena se bloquea a los demás cables con otra brida como muestra la figura 14.



3.5) Descripción de las conexiones eléctricas

En este párrafo hay una breve descripción de las conexiones eléctricas; otras informaciones en el párrafo “7.3 Instalación y desinstalación de dispositivos”.

FLASH: salida para la luz intermitente “LUCYB” o similar sólo con la bombilla de 12V máximo 21W.

S.C.A.: salida “Indicador Luminoso Cancela Abierta”; es posible conectar una bombilla de 24V, máximo 4W

BLUEBUS: en este borne se pueden conectar los dispositivos compatibles; todos se conectan en paralelo con dos conductores solos por los que transita tanto la alimentación eléctrica como las señales de comunicación. Para más informaciones sobre BlueBUS véase el párrafo “7.3.1BlueBUS”.

STOP: entrada para los dispositivos que bloquean o detienen la maniobra que se está ejecutando; con soluciones oportunas pueden conectarse en la entrada contactos tipo “Normalmente Cerrado”, “Normalmente Abierto” o dispositivos de resistencia constante. Para más informaciones sobre STOP véase el párrafo “7.3.2 Entrada STOP”.

P.P.: entrada para dispositivos que controlan el movimiento; es posible conectar contactos tipo “Normalmente Abierto”.

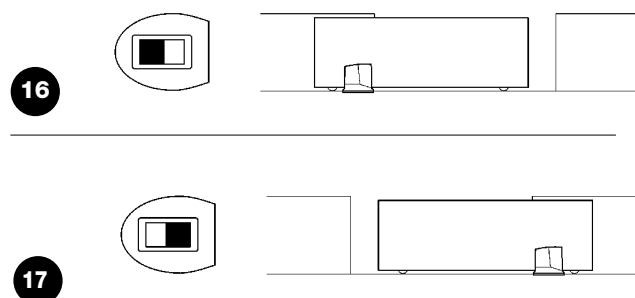
ANTENNA: entrada de conexión de la antena para receptor (la antena está incorporada en LUCY B).

4) Controles finales y puesta en marcha

Antes de comenzar el control y de poner en marcha la automatización, se aconseja colocar la puerta en la mitad de su carrera para que pueda abrirse o cerrarse libremente.

4.1) Selección de la dirección

De acuerdo con la posición del motorreductor respecto de la puerta, es necesario elegir la dirección de la maniobra de apertura; si para abrirse la hoja debe moverse hacia la izquierda, desplace el selector hacia la izquierda, tal como indicado en la figura 16, si para abrirse la puerta debe moverse hacia la derecha, coloque el selector hacia la derecha, tal como indicado en la figura 17.



4.2) Conexión de la alimentación

⚠ La conexión de la alimentación a ROBUS350 debe ser hecha por personal técnico experto y cualificado que posea los requisitos exigidos y respetando las normas, leyes y reglamentos.

Ni bien se conecta la tensión a ROBUS350, se aconseja realizar algunos controles sencillos:

1. Controle que el led BLUEBUS destelle regularmente con una frecuencia de un destello por segundo.
2. Controle que también destellen los leds de las fotocélulas (tanto en TX como en RX); no es importante el tipo de destello, depende de otros factores.

3. Controle que la luz intermitente conectada a la salida FLASH y la luz indicadora conectada a la salida S.C.A. estén apagadas. Si así no fuera, se aconseja apagar inmediatamente la alimentación de la central y controlar con mayor atención las conexiones eléctricas. Otras informaciones útiles para la búsqueda y el diagnóstico de las averías se encuentran en el capítulo "7.6 Solución de los problemas"

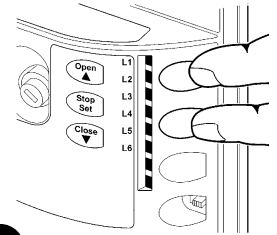
4.3) Aprendizaje de los dispositivos

Después de concluir la conexión de la alimentación, hay que hacer que la central reconozca los dispositivos conectados en las entradas

BLUEBUS y STOP. Antes de esta etapa los leds L1 y L2 destellan indicando que se ha de efectuar el aprendizaje de los dispositivos.

1. Presione y mantenga presionados los dos botones **[▲]** y **[Set]**
2. Suelte los botones cuando los leds L1 y L2 comiencen a destellar muy rápidamente (transcurridos alrededor de 3s)
3. Espere algunos segundos a que la central concluya el aprendizaje de los dispositivos.
4. Al concluir el aprendizaje, el led STOP debe quedar encendido y los leds L1 y L2 se apagarán (podrían comenzar a destellar los leds L3 y L4).

La etapa de aprendizaje de los dispositivos conectados puede repetirse en cualquier momento, incluso después de la instalación, por ejemplo si se añade un dispositivo; para efectuar un nuevo aprendizaje, véase el párrafo "7.3.4 Aprendizaje de otros dispositivos".



18

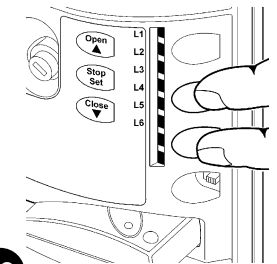
4.4) Aprendizaje de la longitud de la puerta

Después del aprendizaje de los dispositivos comenzarán a destellar los leds L3 y L4; esto significa que es necesario que la central reconozca la longitud de la puerta (distancia desde el fin de carrera de

cierre al fin de carrera de apertura); dicha medida es necesaria para calcular los puntos de deceleración y el punto de apertura parcial.

1. Presione y mantenga presionados los botones **[▼]** y **[Set]**
2. Suelte los botones cuando comience la maniobra (transcurridos unos 3s)
3. Controle que la maniobra sea una apertura, por el contrario presione el botón **[Stop]** y lea con mayor atención el párrafo "4.1 Selección de la dirección"; entonces repita desde el punto 1.
4. Espere a que la central complete la maniobra de apertura hasta llegar al fin de carrera de apertura; inmediatamente después comienza la maniobra de cierre.
5. Espere a que la central complete la maniobra de cierre.

Si así no fuera, se aconseja apagar inmediatamente la alimentación de la central y controlar con mayor atención las conexiones eléctricas. Otras informaciones útiles se encuentran en el capítulo "7.6 Solución de los problemas".



19

4.5) Control del movimiento de la puerta

Después del aprendizaje de la longitud de la puerta se aconseja efectuar algunas maniobras para verificar el movimiento correcto de la puerta.

1. Presione el botón **[Open]** para accionar una maniobra de "Abrir"; controle que la puerta se abra normalmente sin cambios de velocidad; solamente cuando la puerta está entre 70 y 50 cm del fin de carrera de apertura deberá desacelerar y detenerse, por la activación del fin de carrera, a 2÷3 cm del tope mecánico de apertura.
2. Presione el botón **[Close]** para accionar una maniobra de "Cerrar"; controle que la puerta se cierre normalmente sin cambios de velocidad; solamente cuando la puerta está entre 70 y 50 cm del fin de carrera de cierre deberá desacelerar y detenerse, por la activación del fin de carrera, a 2÷3 cm del tope mecánico de cierre.

3. Durante las maniobras controle que la luz intermitente destelle con intervalos de 0,5s encendido y 0,5s apagado. En su caso, controle también los destellos de la luz indicadora conectada al borne SCA: destello lento en apertura y rápido en el cierre.
4. Cumpla varias maniobras de apertura y cierre a fin de observar posibles defectos de montaje y de regulación u otras irregularidades, por ejemplo los puntos con mayor roce.
5. Controle que la fijación del motorreductor ROBUS350, de la cremallera y de los soportes de fin de carrera sean firmes, estables y adecuadamente resistentes también durante las aceleraciones o deceleraciones violentas del movimiento de la puerta

4.6) Funciones predeterminadas

La central de control de ROBUS350 dispone de algunas funciones programables; tales funciones se regulan en fábrica con una configuración que debería satisfacer la mayoría de las automatizaciones, sin embargo las funciones pueden modificarse en cualquier momento

mediante un procedimiento de programación oportuno; a tal fin véase el párrafo "7.2 Programaciones".

4.7) Memorización de los transmisores

Para el accionamiento a distancia de ROBUS350, la central de control incorpora el enchufe SM para receptores tipo SMXI o SMXIS (véase fig.20); cada transmisor es reconocido por este receptor mediante un "código" que es diferente de cualquier otro. Por tal razón, se requiere una etapa de "memorización" con la que se prepara el receptor para reconocer cada transmisor; los transmisores se pueden memorizar en dos modos.

Modo I: en este modo la función de los botones del transmisor es fija y a cada botón corresponde en la central el mando indicado en la tabla N°4; se lleva a cabo una sola etapa para cada transmisor del que se memorizan todos los botones; durante esta fase no interesa qué botón se tiene presionado y se ocupa un solo espacio en la memoria. Por lo general, en modo I, un transmisor puede accionar un automatismo solo

Modo II: en este modo cada botón del transmisor puede asociarse a uno de los 4 mandos posibles de la central indicados en la tabla N°5; para cada fase se memoriza un botón solo, es decir aquel presionado durante la memorización. En la memoria se ocupa un lugar por cada botón memorizado.

En el modo II los diversos botones del mismo transmisor pueden utilizarse para dar órdenes a la misma automatización o para accionar diversas automatizaciones. Por ejemplo en la tabla N° 6 se acciona sólo la automatización "A" y los botones T3 y T4 están asociados al mismo mando; o bien, en el ejemplo de la tabla 7 donde se accionan 3 automatizaciones "A" (botones T1 y T2), "B" (botón T3) y "C" (botón T4)

⚠ Puesto que el procedimiento de memorización cuenta con un tiempo límite de 10s, es necesario leer antes las instrucciones indicadas en los siguientes párrafos y luego ejecutarlas.

Tabla N°4: memorización Modo I

Botón T1	Mando "PP"
Botón T2	Mando "Apertura paso de peatones"
Botón T3	Mando "Abrir"
Botón T4	Mando "Cerrar"

Nota: los transmisores monocanal disponen del botón T1 solo, los transmisores bicanal disponen de los botones T1 y T2 solos.

Tabla N°5: mandos disponibles en Modo II

N°1	Mando "PP"
N°2	Mando "Apertura paso de peatones"
N°3	Mando "Abrir"
N°4	Mando "Cerrar"

Tabla N°6: 1° ejemplo de memorización en Modo II

Botón T1	Mando "Abrir"	Automatización A
Botón T2	Mando "Cerrar"	Automatización A
Botón T3	Mando "Apertura paso peatones"	Automatización A
Botón T4	Mando "Apertura paso peatones"	Automatización A

Tabla N°7: 2° ejemplo de memorización en Modo II

Botón T1	Mando "Abrir"	Automatización A
Botón T2	Mando "Cerrar"	Automatización A
Botón T3	Mando "PP"	Automatización B
Botón T4	Mando "PP"	Automatización C

4.7.1) Memorización en modo I

20

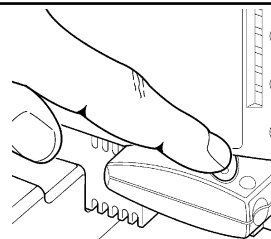


Tabla N° 8: para memorizar un transmisor en modo I.

	Ejemplo
1. Presione y mantenga presionado el botón en el receptor (durante unos 3s)	3s
2. Suelte el botón cuando se encienda el led del receptor	3s
3. Antes de 10s presione durante 2s cualquier botón del transmisor que se ha de memorizar	2s
4. Si la memorización se ha ejecutado correctamente, el led en el receptor emitirá 3 destellos.	x3

Si hubiera otros transmisores a memorizar, repita el punto 3 dentro de los 10s siguientes. La memorización termina automáticamente si durante 10 segundos no se reciben códigos nuevos.

4.7.2) Memorización en modo II

Tabla N° 9: para memorizar el botón de un transmisor en modo II.

	Ejemplo
1. Presione el botón del receptor una cantidad de veces equivalente al mando deseado, según la tabla N°5	1...4
2. Controle que el led del receptor emita una cantidad de destellos equivalente al mando deseado	1...4
3. Antes de 10s, presione durante 2s el botón deseado del transmisor que se ha de memorizar	2s
4. Si la memorización se ha ejecutado correctamente, el led en el receptor emitirá 3 destellos.	x3

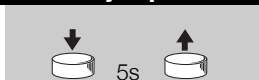


Si hubiera otros transmisores a memorizar para el mismo mando, repita el punto 3 dentro de los 10s siguientes. La memorización termina automáticamente si durante 10 segundos no se reciben códigos nuevos.

4.7.3) Memorización a distancia

Es posible memorizar un nuevo transmisor sin tener que utilizar directamente el botón del receptor; a tal fin es necesario tener un telemando memorizado y que funcione. El nuevo transmisor "heredará" las características del que ya está memorizado; es decir que si el primer transmisor está memorizado en Modo 1, también el nuevo transmisor se memorizará en Modo 1 y se podrá presionar cualesquiera de los botones de los transmisores. Por el contrario, si el primer transmisor está memorizado en Modo II, también el nuevo transmisor se memorizará en Modo II y es importante presionar, en el primer transmisor el botón relativo al mando deseado, y en el segundo transmisor el botón a asociar a ese mando.


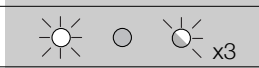
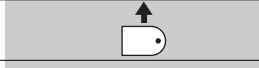

⚠ La memorización a distancia puede realizarse en todos los receptores que se encuentran en el radio de alcance del transmisor y, por eso, es oportuno mantener alimentado sólo aquel que debe memorizarse.

Con los dos transmisores situados en el radio de acción del automatismo, lleve a cabo los siguientes pasos:

Tabla N°10: para memorizar un transmisor a distancia.	Ejemplo
1. Presione durante 5s como mínimo el botón en el nuevo transmisor; después suéltelo.	
2. Presione lentamente 3 veces el botón en el transmisor memorizado	
3. Presione lentamente 1 vez el botón en el transmisor nuevo.	

Ahora el nuevo transmisor será reconocido por el receptor y adquirirá las características que tenía el que ya estaba memorizado. Si hubiera que memorizar otros transmisores, repita todos los pasos para cada transmisor nuevo.

4.7.4) Borrado de los transmisores

Tabla N°11: para borrar todos los transmisores	Ejemplo
1. Presione y mantenga presionado el botón en el receptor	
2. Espere a que el led se encienda, se apague y que emita 3 destellos.	
3. Suelte el botón exactamente durante el 3° destello.	
4. Si el procedimiento se concluye correctamente, transcurrido un instante, el led emitirá 5 destellos.	

4.7.5) Declaración de conformidad del receptor

Declaración de conformidad

N°: 151/SMXI Rev03
 Nice S.p.a., Via Pezza Alta 13, 31046 Rustignè di Oderzo (TV) Italia
 NICE S.p.a. declara que los receptores modelo SMXI, SMXIS y los transmisores FLO2R-S y SM2 correspondientes responden a los requisitos esenciales de la Directiva R&TTE 1999/5/CE, para el uso previsto del aparato. Fabricado en Clase 1, Sub-clase 20

Fecha: 19 Marzo 2004


 Director
 LAURO BUORO

5) Ensayo y puesta en servicio

Esta es la etapa más importante de la realización del automatismo a fin de garantizar su máxima seguridad. El ensayo también puede usarse como control periódico de los dispositivos que componen el automatismo.

⚠ El ensayo de toda la instalación debe ser efectuado por personal cualificado y experto que deberá establecer los ensayos previstos de acuerdo con los riesgos presentes y controlar que se respeten las leyes, normativas y reglamentos, especialmente todos los requisitos de la norma EN 12445 que establece los métodos de ensayo de los automatismos para puertas.

5.1) Ensayo

Cada componente del automatismo, por ejemplo bandas neumáticas, fotocélulas, parada de emergencia, etc., exige un fase de ensayo específica; por dicha razón se deberán seguir los diferentes procedimientos indicados en los manuales de instrucciones respectivos. Para el ensayo del ROBUS350 ejecute la siguiente secuencia de operaciones:

1. Controle que hayan sido respetadas estrictamente las indicaciones dadas en este manual y especialmente aquellas del capítulo "1 Advertencias";
2. Desbloquee el motorreductor tal como indicado en el párrafo "Desbloqueo y movimiento manual" en el capítulo "Instrucciones y advertencias para el usuario del motorreductor ROBUS350".
3. Controle que sea posible abrir y cerrar manualmente la puerta con una fuerza que no supere 390N (alrededor de 40kg).
4. Bloqueo del motorreductor.
5. Utilizando los dispositivos de mando o de parada previstos (selec-

tor de llave, botones de mando o transmisores), efectúe ensayos de apertura, cierre y parada de la puerta y compruebe que el comportamiento sea el previsto.

6. Controle uno por uno el funcionamiento correcto de todos los dispositivos de seguridad incorporados en la instalación (fotocélulas, bandas sensibles, parada de emergencia, etc.), comprobando que el comportamiento de la puerta corresponda al previsto. Cada vez que un dispositivo se acciona, el led "BlueBUS" en la central debe emitir 2 destellos más rápidos, confirmando que la central reconoce el evento.
7. Si las situaciones peligrosas causadas por el movimiento de la puerta se han prevenido limitando la fuerza de impacto, hay que medir la fuerza de acuerdo con la disposición de la norma EN 12445. Si la regulación de la "Velocidad" y el control de la "Fuerza del motor" se usan como una ayuda del sistema para reducir la fuerza de impacto, pruebe y busque la regulación que dé los mejores resultados.

5.2) Puesta en servicio

La puesta en servicio puede llevarse a cabo sólo después de haber efectuado correctamente todas las etapas de ensayo del ROBUS350 y de los demás dispositivos montados.

Está prohibida la puesta en servicio parcial o en situaciones "provisionales".

1. Realice y conserve durante 10 años como mínimo el expediente técnico de la automatización que deberá estar formado de los siguientes componentes como mínimo: dibujo de conjunto de la automatización, esquema de las conexiones eléctricas, análisis de los riesgos y soluciones adoptadas, declaración de conformidad del fabricante de todos los dispositivos utilizados (para ROBUS350 utilice la Declaración de conformidad CE adjunta); copia del manual de instrucciones de uso y del plan de mantenimiento del automatismo.
2. Aplique a la puerta una placa con los siguientes datos: tipo de automatización, nombre y dirección del fabricante (responsable

de la "puesta en servicio"), número de matrícula, año de fabricación y marcado "CE".

3. Fije de forma permanente en proximidad de la puerta una etiqueta o una placa que indique las operaciones para el desbloqueo y la maniobra manual
4. Realice y entregue al dueño la declaración de conformidad CE de la automatización.
5. Realice y entregue al dueño el "manual de instrucciones y advertencias para el uso de la automatización".
6. Realice y entregue al dueño el plan de mantenimiento de la automatización (que debe incluir todas las prescripciones sobre el mantenimiento de cada dispositivo).
7. Antes de poner en funcionamiento la automatización, informe adecuadamente y por escrito al dueño (por ejemplo en el manual de instrucciones y advertencias para el uso de la automatización) acerca de los peligros y los riesgos presentes.

6) Mantenimiento y desguace

En este capítulo se mencionan las informaciones para realizar el plan de mantenimiento y el desguace de ROBUS350

6.1) Mantenimiento

Para mantener el nivel de seguridad constante y para garantizar la duración máxima de toda la automatización, es necesario efectuar un mantenimiento regular.

⚠ El mantenimiento debe efectuarse respetando las prescripciones de seguridad de este manual y según las leyes y normativas vigentes.

Para los demás dispositivos diferentes de ROBUS350 siga las instrucciones mencionadas en los planes de mantenimiento correspondientes.

1. ROBUS350 requiere un mantenimiento programado antes de trans-

curridos 6 meses como máximo o 10.000 maniobras a partir del mantenimiento anterior:

2. Desconecte cualquier fuente de alimentación eléctrica, incluidas las baterías compensadoras
3. Controle las condiciones de todos los materiales que componen la automatización, controlando especialmente los fenómenos de corrosión y oxidación de las piezas de la estructura; sustituya las piezas que no sean seguras.
4. Controle el desgaste de las piezas en movimiento: piñón, cremallera y todas las piezas de la hoja, sustituya las piezas gastadas.
5. Conecte las fuentes de alimentación eléctrica y ejecute todos los ensayos y controles previstos en el párrafo "5.1 Ensayo".

6.2) Desguace

ROBUS está formado de varios tipos de materiales, algunos de los cuales pueden reciclarse; acero, aluminio, plástico, cables eléctricos; otros deberán ser eliminados: baterías y tarjetas electrónicas.

⚠ Algunos componentes electrónicos y las baterías podrían contener sustancias contaminantes; no los abandone en el medio ambiente. Infórmese sobre los sistemas de reciclaje o eliminación respetando las normas vigentes locales.

1. Desconecte la alimentación eléctrica de la automatización y la batería compensadora de estar montada.
2. Desmonte todos los dispositivos y accesorios, siguiendo el procedimiento en el orden inverso a aquel descrito en el capítulo 3 "Instalación".
3. Separe dentro de lo posible las partes que puedan o deban ser recicladas o eliminadas de otro modo, por ejemplo las piezas metálicas de aquellas de plástico, las tarjetas electrónicas, baterías, etc.
4. Separe y entregue los materiales a las empresas autorizadas para la recuperación y eliminación de residuos.

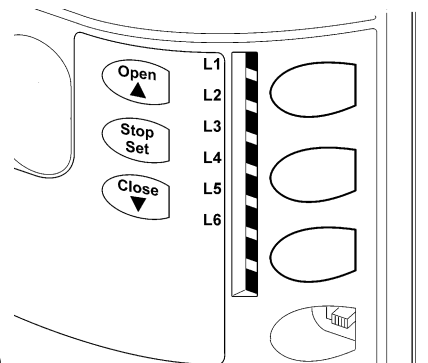
7) Otras informaciones

En este capítulo se tratarán las posibilidades de programación, personalización, diagnóstico y búsqueda de las averías sobre ROBUS350.

7.1) Botones de programación

En la central de control de ROBUS350 hay 3 botones que pueden utilizarse para el accionamiento de la central durante los ensayos o para las programaciones:

Open ▲	El botón "OPEN" permite accionar la apertura de la puerta o desplazar hacia arriba el punto de programación
Stop Set	El botón "STOP" permite detener la maniobra; al presionarlo durante más de 5 segundos, permite entrar en programación.
Close ▼	El botón "CLOSE" permite accionar el cierre de la puerta o desplazar hacia abajo el punto de programación



7.2) Programaciones

En la central de control de ROBUS350 hay algunas funciones programables; las funciones se regulan con los 3 botones situados en la central: [▲] [Set] [▼] y se visualizan a través de los 6 leds: **L1...L6**.

Las funciones programables disponibles en ROBUS350 están dispuestas en 2 niveles:

Primer nivel: funciones regulables en modo ON-OFF (activo o desactivado); en este caso, cada led **L1...L6** indica una función; si está encendido, la función está activa, si está apagado, la función está desactivada; véase la tabla N°12.

Segundo nivel: parámetros regulables en una escala de valores (valores de 1 a 6); en este caso cada led **L1...L6** indica el valor regulado entre los 6 valores posibles; véase la tabla N°14.

7.2.1) Funciones de primer nivel (funciones ON-OFF)

Tabla N°12: lista de las funciones programables: primer nivel


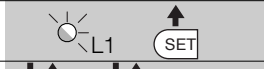



Led	Función	Descripción
L1	Cierre automático	Esta función permite un cierre automático de la puerta después del tiempo de pausa programado, el Tiempo Pausa de fábrica está configurado en 30 segundos, pero puede modificarse en 5, 15, 30, 45, 60 y 80 segundos. Si la función está desactivada, el funcionamiento es "semiautomático".
L2	Cerrar Después de Fococélula	Esta función permite tener la puerta abierta solo durante el tiempo necesario para el tránsito, en efecto, la activación de "Foto" provoca siempre un cierre automático con un tiempo de pausa de 5s (independientemente del valor programado). El comportamiento cambia según si se activa o no la función de "Cierre Automático". Con " Cierre Automático " desactivado: la puerta siempre alcanza la posición de apertura total (aunque si la Fococélula queda descubierta antes). Al quedar la fococélula descubierta se provoca el cierre automático con una pausa 5s. Con " Cierre Automático " activo: la maniobra de apertura se detiene inmediatamente después de que las fococélulas quedan descubiertas y, transcurridos 5 seg, comenzará la maniobra de cierre. La función "Cerrar después de Fococélula" siempre se deshabilita en las maniobras interrumpidas por un mando de Stop. Si la función "Cerrar después de fococélula" no está activa el tiempo de pausa será aquel programado, o no se producirá el cierre automático si la función no está activa.
L3	Cerrar Siempre	La función "Cerrar Siempre" se activa provocando un cierre cuando al volver la alimentación se detecta que la puerta está abierta. Por motivos de seguridad, la maniobra es antecedida de 5s de destello previo. Si la función está desactivada, al volver la alimentación la puerta quedará detenida.
L4	Stand-By	Esta función permite reducir al máximo los consumos; es útil durante el funcionamiento con la batería compensadora. Si esta función está activa, después de 1 minuto del final de la maniobra, la central apaga la salida BLUEBUS (y luego los dispositivos) y todos los leds, salvo el led BLUEBUS que destellará más lentamente. Cuando llegue un mando, la central reanuda el funcionamiento. Si la función está desactivada, los consumos no disminuirán.
L5	Punto de arranque	Activando esta función se desactiva la aceleración gradual y cualquier inicio de maniobra; permite obtener la fuerza del punto de arranque máxima y es útil donde existen elevadas fricciones estáticas, por ejemplo en caso de nieve o hielo que bloqueen la puerta. Si el punto de arranque está desactivado, la maniobra empieza con una aceleración gradual.
L6	Destello previo	Con la función de destello previo se añade una pausa de 3s entre el encendido de la luz intermitente y el inicio de la maniobra para advertir anticipadamente de la situación de peligro. Si el destello previo está desactivado, el encendido de la luz intermitente coincide con el comienzo de la maniobra.

Durante el funcionamiento normal de ROBUS350 los leds **L1...L6** están encendidos o apagados de acuerdo con el estado de la función que estos representan, por ejemplo **L1** está encendido si la función "Cierre automático" está activa."

7.2.2 Programación de primer nivel (funciones ON-OFF)

Todas las funciones del primer nivel están configuradas de fábrica en "OFF" pero pueden cambiarse en cualquier momento, tal como indicado en la tabla N°13. Tenga cuidado al efectuar este procedimiento porque hay un tiempo máximo de 10s entre que se presiona un botón y el otro, en caso contrario, el procedimiento termina automáticamente, memorizando las modificaciones hechas hasta ese momento.

Tabla N°13: para cambiar las funciones ON-OFF

	Ejemplo
1. Presione y mantenga presionado el botón [Set] durante alrededor de 3s	
2. Suelte el botón [Set] cuando el led L1 empieza a destellar	
3. Presione los botones [▲] o [▼] para pasar del led intermitente al led que representa la función a modificar	
4. Presione el botón [Set] para cambiar el estado de la función (destello breve = OFF; destello prolongado = ON)	
5. Espere 10s para salir de la programación por conclusión del tiempo máximo.	

Nota: los puntos 3 y 4 pueden repetirse durante la misma etapa de programación para colocar en ON u OFF las demás funciones

7.2.3 Funciones de segundo nivel (parámetros regulables)

Tabla N°14: lista de las funciones programables: segundo nivel

Led de entrada	Parámetro	Led (nivel)	valor	Descripción
L1	Tiempo Pausa	L1	5 segundos	Regula el tiempo de pausa, es decir el tiempo antes del cierre automático. Tiene efecto sólo si el cierre automático está activo
		L2	15 segundos	
		L3	30 segundos	
		L4	45 segundos	
		L5	60 segundos	
		L6	80 segundos	
L2	Función P.P.	L1	Abrir - stop - cerrar - stop	Regula la secuencia de mandos asociados a la entrada P.P. o al 1° mando por radio (véanse las tablas 4 y 5).
		L2	Abrir - stop - cerrar - abrir	
		L3	Abrir - cerrar - abrir - cerrar	
		L4	Comunitario	
		L5	Cerrar	
		L6	Hombre muerto	
L3	Velocidad del Motor	L1	Muy lenta	Regula la velocidad del motor durante la carrera normal.
		L2	Lenta	
		L3	Media	
		L4	Rápida	
		L5	Muy rápida	
		L6	Rapidísim	
L4	Salida S.C.A.	L1	Función S.C.A.	Regula la función asociada a la salida S.C.A.
		L2	Encendida si la hoja está cerrada	
		L3	Encendida si la hoja está abierta	
		L4	Activa con 2° mando por radio	
		L5	Activa con 3° mando por radio	
		L6	Activa con 4° mando por radio	
L5	Fuerza del motor	L1	Puerta "ligera"	Regula el sistema de control de la fuerza del motor para adecuarlo al peso de la puerta.
		L2	Puerta "media"	
		L3	Puerta "medio-pesada"	
		L4	Puerta "pesada"	
		L5	Cancello "pesante"	
		L6	Puerta "muy pesada"	
L6	Abrir Parcial	L1	0,5 m	Regula la medida de la apertura parcial. La apertura parcial se puede accionar sólo con el 2° mando por radio (véanse las tablas 4 y 5).
		L2	1 m	
		L3	1,5 m	
		L4	2 m	
		L5	2,5 m	
		L6	3 m	

Nota: "■" representa la regulación de fábrica

Todos los parámetros pueden regularse sin ninguna contraindicación; sólo la regulación de la “Fuerza del motor” requiere ciertas precauciones:


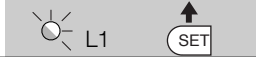






- Se desaconseja utilizar valores de fuerza elevados para compensar el hecho de que la puerta tiene puntos de fricción anormales; una fuerza excesiva puede perjudicar el funcionamiento del sistema de seguridad o averiar la puerta.

- Si el control de la “fuerza del motor” se usa como ayuda del sistema para reducir la fuerza de impacto, después de cada regulación, repita la medición de la fuerza tal como previsto por la norma EN 12445.

- El desgaste y las condiciones atmosféricas influyen sobre el movimiento de la puerta; por dicho motivo es necesario controlar periódicamente la regulación de la fuerza

7.2.4) Programación de segundo nivel (parámetros regulables)


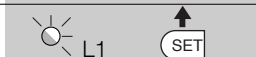




Los parámetros regulables se configuran de fábrica como se muestra en la tabla con: “ ” pero pueden cambiarse en cualquier momento, tal como indicado en la tabla N°15. Tenga cuidado al efectuar este procedimiento porque hay un tiempo máximo de 10s entre que se presiona un botón y el otro, en caso contrario, el procedimiento termina automáticamente, memorizando las modificaciones hechas hasta ese momento.

Tabla N°15: para cambiar los parámetros regulables	Ejemplo
1. Presione y mantenga presionado el botón [Set] durante alrededor de 3s	 3s
2. Suelte el botón [Set] cuando el led L1 empieza a destellar	 L1 SET
3. Presione los botones [▲] o [▼] para pasar del led intermitente al “led de entrada” que representa el parámetro a modificar	 L1 L2
4. Presione y mantenga presionado el botón [Set] , mantenga presionado el botón [Set] durante los pasos 5 y 6	 SET
5. Espere alrededor de 3s, después se encenderá el led que representa el nivel actual del parámetro a modificar	 L2
6. Presione los botones [▲] o [▼] para desplazar el led que representa el valor del parámetro.	 L2 L3
7. Suelte el botón [Set]	 SET
8. Espere 10s para salir de la programación por conclusión del tiempo máximo.	 10s

Nota: los puntos de 3 a 7 pueden repetirse durante la misma etapa de programación para regular varios parámetros

7.2.5) Ejemplo de programación de primer nivel (funciones ON-OFF)




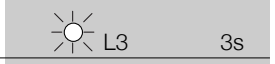








Como ejemplo se menciona la secuencia de operaciones para modificar la configuración de fábrica de las funciones para activar las funciones de “Cierre Automático” (L1) y “Cerrar Siempre” (L3).

Tabla N°16: ejemplo de programación del primer nivel	Ejemplo
1. Presione y mantenga presionado el botón [Set] durante alrededor de 3s	 3s
2. Suelte el botón [Set] cuando el led L1 empiece a destellar	 L1 SET
3. Presione una vez el botón [Set] para modificar el estado de la función asociada a L1 (Cierre Automático); ahora el led L1 destella con un destello prolongado	 SET L1
4. Presione 2 veces el botón [▼] para pasar el led intermitente al led L3	 L3
5. Presione una vez el botón [Set] para modificar el estado de la función asociada a L3 (Cerrar Siempre); ahora el led L3 destella con un destello prolongado	 SET L3
6. Espere 10s para salir de la programación por conclusión del tiempo máximo	 10s

Al final de estas operaciones los leds L1 y L3 deben quedar encendidos, indicando que están activas las funciones “Cierre Automático” y “Cerrar Siempre”.

7.2.6) Ejemplo de programación de segundo nivel (parámetros regulables)

Como ejemplo se menciona la secuencia de operaciones para modificar la configuración de fábrica de los parámetros y aumentar el "Tiempo Pausa" a 60s (entrada en L1 y nivel en L5) y reducir la "Fuerza del motor" para puertas ligeras (entrada en L5 y nivel en L2).

Tabla N°17: ejemplo de programación de segundo nivel	Ejemplo
1. Presione y mantenga presionado el botón [Set] durante alrededor de 3s	
2. Suelte el botón [Set] cuando el led L1 empiece a destellar	
3. Presione y mantenga presionado el botón [Set] ; el botón [Set] debe mantenerse presionado durante los pasos 4 y 5	
4. Espere alrededor de 3s hasta que se encienda el led L3 que representa el nivel actual del "Tiempo Pausa"	
5. Presione 2 veces el botón [▼] para desplazar el led encendido en L5 que representa el nuevo valor del "Tiempo Pausa"	
6. Suelte el botón [Set]	
7. Presione 4 veces el botón [▼] para pasar el led intermitente al led L5	
8. Presione y mantenga presionado el botón [Set] ; el botón [Set] debe mantenerse presionado durante los pasos 9 y 10	
9. Espere alrededor de 3s hasta que se encienda el led L5 que representa el nivel actual de la "Fuerza del motor"	
10. Presione 3 veces el botón [▲] para desplazar el led encendido en L2 que representa el nuevo valor de la "Fuerza del motor"	
11. Suelte el botón [Set]	
12. Espere 10s para salir de la programación por conclusión del tiempo máximo	

7.3) Instalación o desinstalación de dispositivos

A una automatización que incorpora ROBUS350 es posible instalarle o desinstalarle dispositivos en cualquier momento. En particular, a "BLUEBUS" y a la entrada "STOP" se le pueden conectar varios

tipos de dispositivos, tal como indicado en los párrafos "7.3.1 BlueBUS" y "7.3.2 Entrada STOP".

7.3.1) BlueBUS

BlueBUS es una técnica que permite efectuar las conexiones de los dispositivos compatibles con dos conductores solos, sobre los cuales pasan la alimentación eléctrica y las señales de comunicación. Todos los dispositivos se conectan en paralelo en los mismos 2 conductores del BlueBUS y sin tener que respetar la polaridad; cada dispositivo es reconocido individualmente puesto que durante la instalación se le asigna una dirección unívoca. A BlueBUS se le pueden conectar, por ejemplo: fotocélulas, dispositivos de seguridad, botones de mando, indicadores luminosos de señalización, etc.

La central de control de ROBUS350, a través de una etapa de aprendizaje, reconoce uno a uno todos los dispositivos conectados y es capaz de detectar con extrema seguridad todos los posibles desperfectos. Por dicho motivo, cada vez que se instala o desinstala un dispositivo conectado a BlueBUS habrá que hacer que la central ejecute el aprendizaje como descrito en el párrafo "7.2.4 Aprendizaje de otros dispositivos".

7.3.2) Entrada STOP

STOP es la entrada que provoca la parada inmediata de la maniobra seguida de una breve inversión. A esta entrada se le pueden conectar los dispositivos con salida con contacto normalmente abierto "NA", normalmente cerrado "NC" o dispositivos con salida de resistencia constante 8,2kΩ, por ejemplo bandas neumáticas. Al igual que para el BlueBUS, la central reconoce el tipo de dispositivo conectado a la entrada STOP durante la etapa de aprendizaje (véase el párrafo "7.2.4 Aprendizaje de otros dispositivos"); sucesivamente, se provoca un STOP cuando se produce cualquier variación respecto del estado memorizado.

Con algunas soluciones oportunas es posible conectar a la entrada STOP varios dispositivos, incluso de diferentes tipos:

- Varios dispositivos NA pueden conectarse en paralelo entre sí sin límites de cantidad.
- Varios dispositivos NC pueden conectarse en serie entre sí sin límites de cantidad.

- Dos dispositivos con salida de resistencia constante 8,2kΩ pueden conectarse en paralelo; si hubiera más de 2 dispositivos, entonces todos deben conectarse "en cascada" con una sola resistencia de terminación de 8,2kΩ.
- La combinación NA y NC puede efectuarse colocando los 2 contactos en paralelo con la precaución de colocarle en serie al contacto NC una resistencia de 8,2kΩ (esto permite también la combinación de 3 dispositivos: NA, NC y 8,2kΩ).

⚠ Si la entrada STOP se usa para conectar dispositivos con funciones de seguridad, sólo los dispositivos con salida con resistencia constante 8,2kΩ garantizan la categoría de seguridad 3 contra las averías, según la norma EN 954-1.

7.3.3) Fotocélulas

El sistema "BlueBUS" permite, mediante el direccionamiento con los puentes correspondientes, que la central reconozca las fotocélulas y asignarles la función correcta de detección. La operación de direccionamiento se realiza tanto en el TX como en el RX (colocando los puentes de conexión de la misma manera), comprobando que no haya otros pares de fotocélulas con la misma dirección. En una automatización para puertas de correderas ROBUS350 es posible instalar las fotocélulas según lo representado en la figura 22. Después de la instalación o el desmontaje de fotocélulas, en la central habrá que ejecutar la etapa de aprendizaje, tal como descrito en el párrafo "7.3.4 Aprendizaje de otros dispositivos".

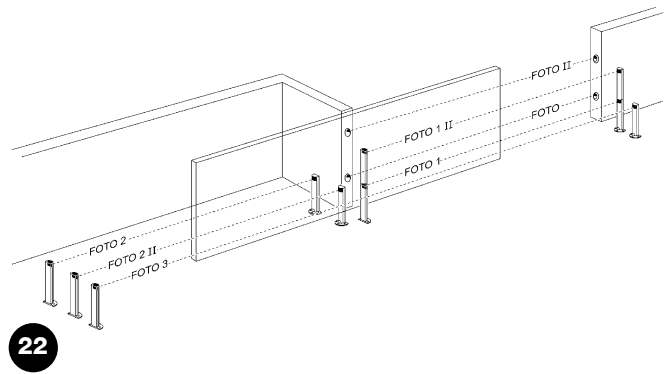


Tabla N° 18: direcciones de las fotocélulas

Fotocélula	Puentes	Fotocélula	Puentes
FOTO Fotocélula exterior h=50 cm con accionamiento en el cierre		FOTO 2 Fotocélula exterior con accionamiento en la apertura	
FOTO II Fotocélula exterior h=100 cm con accionamiento en el cierre		FOTO 2 II II Fotocélula interior con activación en la apertura	
FOTO 1 Fotocélula interior h=50 cm con accionamiento en el cierre		FOTO 3 Fotocélula única que cubre todo el automatismo	
FOTO 1 II Fotocélula interior h=100 cm con accionamiento en el cierre		<p>⚠ La instalación de FOTO 3 junto con FOTO II requiere que la posición de los elementos que forman la fotocélula (TX-RX) respete la advertencia indicada en el manual de instrucciones de las fotocélulas.</p>	

7.3.4) Aprendizaje de otros dispositivos

Normalmente, la operación de aprendizaje de los dispositivos conectados al BlueBUS y a la entrada STOP se ejecuta durante la instalación; sin embargo, si se instalan o desinstalan dispositivos, es posible realizar nuevamente el aprendizaje de la siguiente manera:

Tabla N° 19: para el aprendizaje de otros dispositivos

	Ejemplo
1. Presione y mantenga presionados los botones [▲] y [Set]	
2. Suelte los botones cuando los leds L1 y L2 empiezan a destellar muy rápidamente después de alrededor de 3s)	
3. Espere algunos segundos para que la central concluya el aprendizaje de los dispositivos	
4. Al concluir el aprendizaje, los leds L1 y L2 dejarán de destellar, el led STOP debe quedar encendido, mientras que los leds L1...L6 se deberán encender según el estado de las funciones ON-OFF que representan	

⚠ Después de haber instalado o desinstalado los dispositivos es necesario realizar nuevamente el ensayo del automatismo de acuerdo con las indicaciones del párrafo "5.1 Ensayo".

7.4) Funciones especiales

7.4.1) Función "Abrir siempre"

La función "Abrir siempre" es una característica de la central de control que permite accionar siempre una maniobra de apertura cuando el mando de "Paso a Paso" dura más de 2 segundos; esto es útil por ejemplo para conectarle al borne P.P. el contacto de un reloj programador para mantener abierta la puerta durante una cierta

franja horaria. Dicha característica es válida en cualquier programación de la entrada de P.P., salvo en la programación como "Cerrar", véase el parámetro "Función P.P." en la tabla N°14.

7.4.2) Función "Mover igualmente"

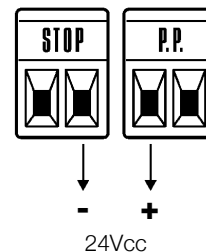
Aunque los dispositivos de seguridad no funcionaran correctamente o debieran ponerse fuera de uso, es posible igualmente accionar o mover la puerta en modo "hombre muerto". Para mayores

detalles, véase el párrafo "Mando con dispositivos de seguridad fuera de uso" en el anexo "Instrucciones y advertencias destinadas al usuario del motorreductor ROBUS".

7.5) Conexión de otros dispositivos

Si hubiera que alimentar dispositivos exteriores, por ejemplo un lector de proximidad para tarjetas por transponder o bien la luz de iluminación del selector de llave, es posible tomar la alimentación tal como indicado en la figura 23.

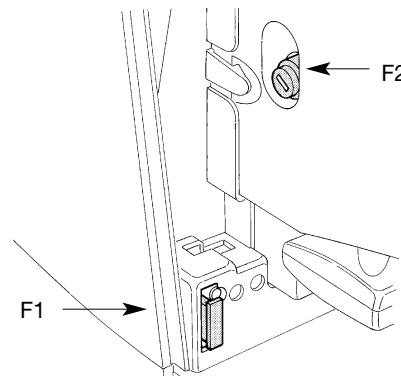
La tensión de alimentación es 24Vcc -30% ÷ +50% con corriente máxima disponible de 100mA.



23

7.6) Solución de los problemas

En la tabla N°20 se pueden encontrar indicaciones útiles para solucionar problemas de funcionamiento que podrían producirse durante la instalación o desperfectos del sistema.



24

Tabla N°20: búsqueda de las averías

Síntomas	Controles aconsejados
El transmisor no acciona la puerta y el led del transmisor no se enciende	Controle que las pilas del transmisor no estén agotadas; de ser necesario, sustitúyalas.
El transmisor no acciona la puerta pero el led del transmisor se enciende	Controle que el transmisor esté memorizado correctamente en el receptor
No se acciona ninguna maniobra y el led "BLUEBUS" no destella	Controle que el ROBUS350 esté alimentado con la tensión de red 230V. Controle que los fusibles no se hayan quemado; si así fuera, controle la causa de la avería y sustitúyalos con otros con las mismas características y del mismo valor de corriente.
No se acciona ninguna maniobra y la luz intermitente está apagada	Controle que el mando llegue efectivamente. Si el mando llega a la entrada PP, el led "PP" debe encenderse; por el contrario, si se utiliza el transmisor, el led "Blubus" debe emitir dos destellos rápidos.
No se acciona ninguna maniobra y la luz intermitente destella algunas veces.	Cuente la cantidad de destellos y controle según lo indicado en la tabla N°21
La maniobra arranca pero inmediatamente después se produce la inversión.	La fuerza seleccionada podría ser muy baja para el tipo de puerta. Controle que no haya obstáculos y, de ser necesario, seleccione una fuerza superior.
La maniobra se ejecuta regularmente pero la luz intermitente no funciona.	Controle que durante la maniobra haya tensión en el borne FLASH de la luz intermitente (siendo intermitente, el valor de tensión no es significativo: alrededor de 10-30Vcc); si hubiera tensión, el problema es la bombilla que habrá que sustituir con una con las mismas características; si no hubiera tensión, se podría haber producido una sobrecarga en la salida FLASH, controle que no haya cortocircuitos en el cable.
La maniobra se ejecuta regularmente pero el indicador luminoso SCA no funciona.	Controle el tipo de función programada para la salida SCA (Tabla N°14). Cuando el indicador luminoso se enciende, controle que haya tensión en el borne SCA (alrededor de 24Vcc); si hubiera tensión, el problema es la bombilla que habrá que sustituir con una con las mismas características; si no hubiera tensión, se podría haber producido una sobrecarga en la salida SCA, controle que no haya cortocircuitos en el cable.

7.7) Diagnóstico y señales

Algunos dispositivos ofrecen directamente señales particulares a través de las cuales es posible reconocer el estado de funcionamiento o un posible desperfecto.

7.7.1) Señales con la luz intermitente

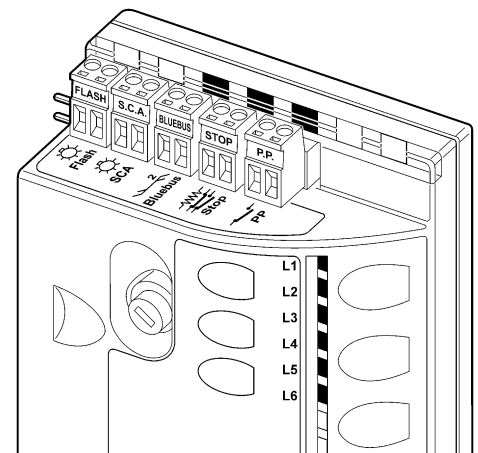
Durante la maniobra la luz intermitente FLASH destella una vez por segundo; cuando se produce algún desperfecto, la luz intermitente destella más lentamente; los destellos se repiten dos veces, separados por una pausa de un segundo.

Tabla N° 21: señales en la luz intermitente FLASH

Destellos rápidos	Causa	ACCIÓN
1 destello, pausa de 1 segundo, 1 destello	Error en el BluBUS	Al comienzo de la maniobra, el control de los dispositivos conectados a BLUEBUS no corresponde a aquellos memorizados durante el aprendizaje. Es posible que haya dispositivos averiados; controle y sustituya; si se han efectuado modificaciones, hay que volver a repetir el aprendizaje (7.3.4 Aprendizaje de otros dispositivos).
2 destellos, pausa de 1 segundo, 2 destellos	Activación de una fotocélula	Al comienzo de la maniobra una o varias fotocélulas no dan el asenso para el movimiento; controle que no haya obstáculos. Durante el movimiento es normal si efectivamente hay un obstáculo.
3 destellos, pausa de 1 segundo, 3 destellos	Activación del limitador de la "Fuerza del Motor".	Durante el movimiento, la puerta encontró un punto de mayor fricción; controle el motivo
4 destellos, pausa de 1 segundo, 4 destellos	Activación de la entrada de STOP	Al comienzo de la maniobra o durante el movimiento se ha activado la entrada de STOP; controle el motivo.
5 destellos, pausa de 1 segundo, 5 destellos	Error en los parámetros internos de la central electrónica.	Espere 30 segundos como mínimo y pruebe a accionar un mando; si el estado persiste, podría haber una avería grave y habrá que sustituir la tarjeta electrónica.
6 destellos, pausa de 1 segundo, 6 destellos	Se ha superado el límite máximo de maniobras por hora	Espere algunos minutos para que el limitador de maniobras retorne por debajo del límite máximo
7 destellos, pausa de 1 segundo, 7 destellos	Error en los circuitos eléctricos internos	Desconecte todos los circuitos de alimentación durante algunos segundos y pruebe a accionar un mando; si el estado persiste, podría haber una avería grave y habrá que sustituir la tarjeta electrónica.

7.7.2) Señales en la central

En la central de ROBUS350 hay una serie de LEDs y cada uno de ellos puede dar señales particulares durante el funcionamiento normal o en caso de desperfecto.



25

Tabla N°22: leds en los bornes de la central

Led BLUEBUS	Causa	ACCIÓN
Apagado	Desperfecto	Controle si hay alimentación; controle que los fusibles no se hayan quemado; si así fuera, controle la causa de la avería y sustitúyalos con otros del mismo valor de corriente.
Encendido	Desperfecto grave	Hay un desperfecto grave; pruebe a apagar durante algunos segundos la central; si el estado continúa, significa que hay una avería y hay que sustituir la tarjeta electrónica
Un destello por segundo	Todo OK	Funcionamiento normal de la central
2 destellos rápidos	Se ha producido una variación del estado de las entradas	Es normal cuando se produce un cambio de una de las entradas. P.P., STOP, activación de las fotocélulas o se utiliza el transmisor
Serie de destellos separados por una pausa de un segundo	Varias	Es la misma señal que emite la luz intermitente Véase la Tabla N°21
Led STOP	Causa	ACCIÓN
Apagado	Activación de la entrada de STOP	Controle los dispositivos conectados a la entrada STOP
Encendido	Todo OK	Entrada STOP activa
Led P.P.	Causa	ACCIÓN
Apagado	Todo OK	Entrada PP desactivada
Encendido	Activación de la entrada de PP	Es normal si está activo efectivamente el dispositivo conectado a la entrada PP

Tabla N°23: leds en los botones de la central

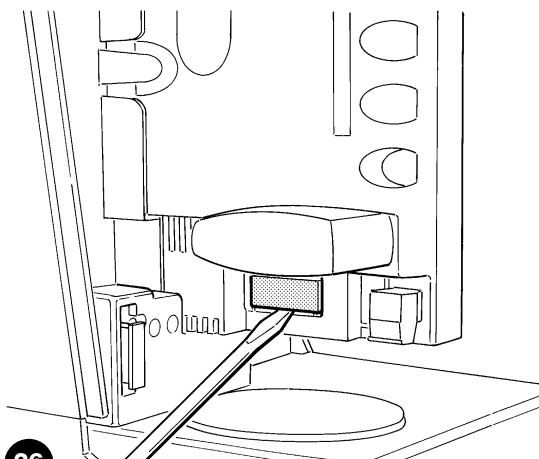
Led L1	Descripción
Apagado	Durante el funcionamiento normal indica "Cierre automático" desactivado
Encendido	Durante el funcionamiento normal indica "Cierre automático" activo
Destella	<ul style="list-style-type: none"> • Programación de las funciones ejecutándose • Si destella junto con L2 indica que es necesario ejecutar el aprendizaje de los dispositivos (véase el párrafo "4.3 Aprendizaje de los dispositivos").
Led L2	Descripción
Apagado	Durante el funcionamiento normal indica "Cerrar después Fotocélula" desactivado
Encendido	Durante el funcionamiento normal indica "Cerrar después Fotocélula" activo
Destella	<ul style="list-style-type: none"> • Programación de las funciones ejecutándose • Si destella junto con L1 indica que es necesario ejecutar el aprendizaje de los dispositivos (véase el párrafo "4.3 Aprendizaje de los dispositivos").
Led L3	Descripción
Apagado	Durante el funcionamiento normal indica "Cerrar Siempre" desactivado
Encendido	Durante el funcionamiento normal indica "Cerrar Siempre" activo
Destella	<ul style="list-style-type: none"> • Programación de las funciones ejecutándose • Si destella junto con L4 indica que es necesario ejecutar el aprendizaje de la longitud de la hoja (véase el párrafo "4.4 Aprendizaje de la longitud de la hoja").
Led L4	Descripción
Apagado	Durante el funcionamiento normal indica "Stand-By" desactivado.
Encendido	Durante el funcionamiento normal indica "Stand-By" activo.
Destella	<ul style="list-style-type: none"> • Programación de las funciones ejecutándose • Si destella junto con L3 indica que es necesario ejecutar el aprendizaje de la longitud de la hoja (véase el párrafo "4.4 Aprendizaje de la longitud de la hoja").
Led L5	Descripción
Apagado	Durante el funcionamiento normal indica "Punto de arranque" desactivado.
Encendido	Durante el funcionamiento normal indica "Punto de arranque" activo.
Destella	Programación de las funciones ejecutándose
Led L6	Descripción
Apagado	Durante el funcionamiento normal indica "Destello previo" desactivado
Encendido	Durante el funcionamiento normal indica "Destello previo" activo.
Destella	Programación de las funciones ejecutándose

7.8) Accesorios

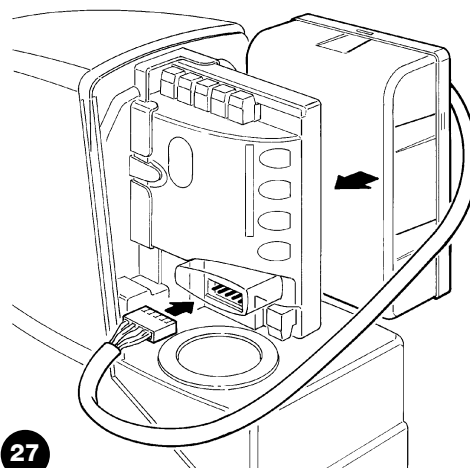
Para ROBUS350 hay previstos los siguientes accesorios opcionales:

- PS124 Batería compensadora 24V - 1,2Ah con cargador de batería incorporado

Consulte el catálogo de los productos de Nice S.p.a. para la lista completa y actualizada de los accesorios.



26



27

8) Características técnicas

Nice S.p.a., a fin de mejorar sus productos, se reserva el derecho de modificar las características técnicas en cualquier momento y sin previo aviso, garantizando la funcionalidad y el uso previstos.

Todas las características técnicas indicadas se refieren a una temperatura ambiente de 20°C (±5°C)

Características técnicas: ROBUS350	
Tipo	Motorreductor electromecánico para el movimiento automático de puertas de correderas para uso residencial con central electrónica de control.
Piñón	Z: 15; Módulo: 4; Paso: 12,6 mm; Diámetro primitivo: 60 mm
Par máximo en el punto de arranque	10Nm; correspondiente a la capacidad de mover una hoja con una fricción estática de hasta 333N
Par nominal	6Nm; correspondiente a la capacidad de mover una hoja con una fricción dinámica de hasta 200N
Velocidad al par nominal	0,18m/s
Velocidad en vacío (la central permite programar 6 velocidades equivalentes a alrededor de: 100, 85, 70, 55, 45, 30%)	0,34m/s
Frecuencia máxima de los ciclos de funcionamiento	50 ciclos / día (la central limita los ciclos al máximo previsto en las tablas N°1 y N°2)
Tiempo máximo de funcionamiento continuo	10 minutos (la central limita el funcionamiento continuo al máximo previsto en las tablas N°1 y N°2)
Límites de utilización	Generalmente, ROBUS350 es adecuado para ser automatizar puertas de hasta 350 kg de peso o de hasta 15 m de largo, según los límites previstos en las tablas N°1 y N°2.
Alimentación ROBUS350	230Vac (+10% +15%) 50/60Hz.
Alimentación ROBUS350/V1	120Vac (+10% +15%) 50/60Hz.
Potencia máxima absorbida	250VA
Clase de aislamiento	1 (es necesaria la puesta a tierra de seguridad)
Alimentación de emergencia	Con accesorio opcional PS124
Salida luz intermitente	Para 1 luz intermitente LUCYB (bombilla 12V, 21W)
Salida BLUEBUS	Una salida con una carga máxima de 15 unidades BlueBus
Entrada STOP	Para contactos normalmente cerrados, normalmente abiertos o para resistencia constante 8,2kΩ; en autoaprendizaje (una variación respecto del estado memorizado provoca el mando "STOP")
Entrada PP	Para contactos normalmente abiertos (el cierre del contacto provoca el mando PP)
Entrada ANTENA Radio	52Ω para cable tipo RG58 o similar
Funciones programables	6 funciones tipo ON-OFF y 6 funciones regulables (véanse las tablas N° 12 y N° 14)
Funciones en autoaprendizaje	Autoaprendizaje de los dispositivos conectados a la salida BlueBUS Autoaprendizaje del tipo de dispositivo de "STOP" (contacto NA, NC o resistencia 8,2kΩ) Autoaprendizaje de la longitud de la puerta y cálculo de los puntos de deceleración y apertura parcial.
Temperatura de funcionamiento	-20°C ÷ 50°C
Empleo en atmósfera ácida, salobre o con riesgo de explosión	No
Clase de protección	IP 44
Medidas y peso	330 x 195 h 277; 8Kg

Características técnicas	receptor: SMXI	recepto: SMXIS
Tipo	Receptor de 4 canales para radiomando	
Frecuencia	433.92MHz	
Codificación	Digital Rolling code a 52 Bit, tipo FLOR	Digital Rolling code a 64 Bit, tipo SMILO
Compatibilidad transmisores	FLOR, VERY VR; sólo grupo individual: ERGO, PLANO, PLANOTIME	SMILO
Transmisores memorizables	Hasta 256 si están memorizados en Modo I	
Impedancia de entrada	52Ω	
Sensibilidad	superior a 0.5μV	
Alcance de los transmisores	De 100 a 150 m, dicha distancia puede variar ante la presencia de obstáculos y posibles perturbaciones electromagnéticas y depende de la posición de la antena receptora.	
Salidas	4 (en conector SM)	
Temperatura de funcionamiento	-10°C ÷ 55°C	

Características técnicas	transmisor: FLO2R-S	transmisor: SM2
Tipo	Transmisor de 2 canales para radiomando	
Frecuencia	433.92MHz	
Codificación	Digital Rolling code a 52 Bit, tipo FLOR	Digital Rolling code a 64 Bit, tipo SMILO
Botones	2	
Alimentación	12Vdc con batería tipo 23A	
Absorción	25mA	
Duración de la batería	1 año, estimada sobre una base de 10 mandos/día de 1s de duración a 20°C (con temperaturas bajas la duración de las baterías disminuye)	
Potencia irradiada	100μW	
Medidas y peso	72 x 40 h 18mm / 30g	Diámetro 48 h14mm / 19g
Clase de protección	IP 40 (uso en interiores o ambientes protegidos)	
Temperatura de funcionamiento	-40°C ÷ 85°C	

Instrucciones y advertencias para el usuario del motorreductor ROBUS

Felicitaciones por haber elegido un producto Nice para su automatización! Nice S.p.A. produce componentes para la automatización de cancelas, puertas, cierres enrollables, persianas y toldos: motorreductores, centrales de mando, radiomandos, luces intermitentes, fotocélulas y accesorios. Los productos Nice son fabricados sólo con materiales de calidad y excelentes mecanizados. Nuestra empresa busca constantemente soluciones innovadoras que simplifiquen aún más el uso de nuestros aparatos, cuidados en todos los detalles técnicos, estéticos y ergonómicos: en la vasta gama Nice, su instalador puede escoger el producto que satisfaga de la mejor manera sus exigencias. Nice no es quien escoge los componentes de su automatización, este es un trabajo de análisis, evaluación, elección de los materiales y realización de la instalación efectuado por su instalador de confianza. Cada automatización es única y sólo su instalador posee la experiencia y profesionalidad necesarias a fin de ejecutar una instalación a medida de sus exigencias, segura y fiable en el tiempo y, sobre todo, que respete las normativas vigentes. Una instalación de automatización es una gran comodidad, además de un sistema de seguridad válido y, con un mantenimiento reducido y sencillo, está destinada a durar por mucho tiempo. Aunque bien su automatización satisfaga el nivel de seguridad requerido por las normativas, esto no excluye la existencia de un "riesgo residual", es decir, la posibilidad de que se puedan crear situaciones de peligro causadas por un uso inconsciente o incorrecto, por dicho motivo, a continuación le damos algunos consejos sobre cómo comportarse para evitar inconvenientes.

• **Antes de usar por primera vez el automatismo:** pida a su instalador que le explique el origen de los riesgos residuales y lea este manual de instrucciones y advertencias para el usuario entregado por el instalador. Conserve el manual por cualquier problema que pueda surgir y recuerde entregarlo a un posible nuevo dueño del automatismo.

• **El automatismo ejecuta fielmente** los mandos dados: un uso inconsciente o inadecuado puede ser peligroso. Por consiguiente, no accione el automatismo cuando en su radio de acción haya personas, animales o cosas.

• **Niños:** una instalación de automatización garantiza un elevado grado de seguridad, impidiendo, gracias a sus sistemas de detección, que se mueva ante la presencia de personas o cosas y garantizando una activación previsible y segura. Procure que los niños no jueguen cerca del automatismo y mantenga los controles remotos lejos de su alcance: ¡no son un juguete!

• **Desperfectos:** ni bien note que el automatismo no funciona correctamente, corte la alimentación eléctrica de la instalación y realice el desbloqueo manual. No realice ninguna reparación y llame a su instalador de confianza: una vez desbloqueado el motorreductor, la instalación podrá funcionar manualmente como un cerramiento no automatizado.

• **Mantenimiento:** para garantizar una larga vida útil y para un funcionamiento seguro, la instalación, al igual que cualquier otra maquinaria, requiere un mantenimiento periódico. Establezca con su instalador un plan de mantenimiento con frecuencia periódica. Nice aconseja realizar un mantenimiento cada 6 meses para un uso residencial normal, que puede variar según la intensidad de uso. Cualquier tipo de control, mantenimiento o reparación debe ser realizado sólo por personal cualificado.

• Aunque piense que lo sabe hacer, no modifique la instalación ni los parámetros de programación y regulación del automatismo: la responsabilidad es de su instalador.

• El ensayo, los trabajos de mantenimiento periódico y las posibles reparaciones deben ser documentados por quien los efectúa y los documentos tienen que ser conservados por el dueño de la instalación.

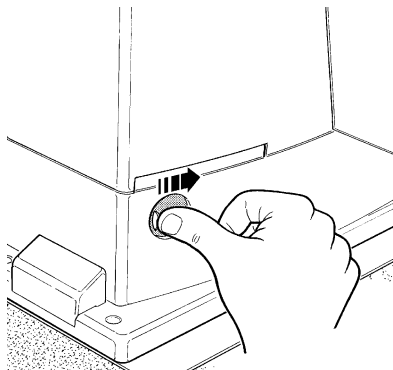
• **Las únicas operaciones** que pueden hacerse y que le aconsejamos efectuar periódicamente son la limpieza de los vidrios de las fotocélulas y la eliminación de hojas o piedras que podrían obstaculizar el automatismo. Para que nadie pueda accionar la puerta, antes de proceder recuerde desbloquear el automatismo (como descrito más adelante) y utilice para la limpieza únicamente un paño ligeramente humedecido con agua.

• **Desguace:** al final de la vida útil del automatismo, el desguace debe ser realizado por personal cualificado y los materiales deben ser reciclados o eliminados según las normas locales vigentes.

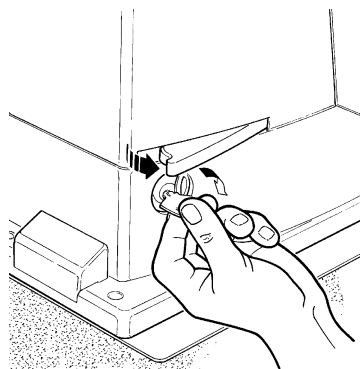
• **En el caso de roturas o falta de alimentación:** esperando la intervención de su instalador, o la llegada de la energía eléctrica si la instalación no está dotada de baterías compensadoras, la automatización puede accionarse igual que cualquier cerramiento no automatizado. A tal fin es necesario realizar el desbloqueo manual (única operación que el usuario puede realizar): dicha operación ha sido estudiada por Nice para facilitarle su empleo, sin necesidad de utilizar herramientas ni hacer esfuerzos físicos.

Desbloqueo y movimiento manual: antes de ejecutar esta operación tenga cuidado de que el desbloqueo puede efectuarse sólo cuando la hoja está detenida.

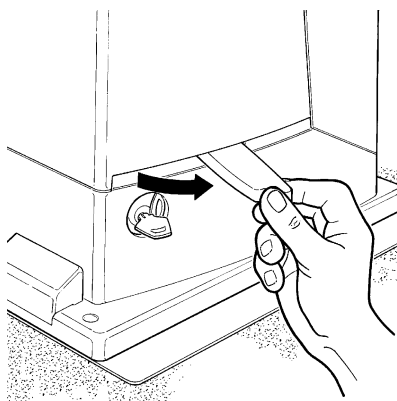
1 Desplace el disco cubrecerradura



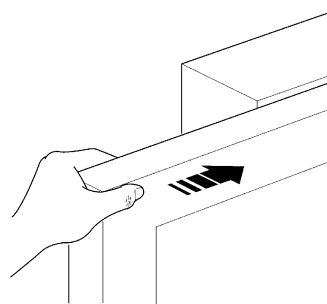
2 Introduzca y gire la llave hacia la izquierda



3 Tire la manilla de desbloqueo



4 Mueva manualmente la hoja



Para bloquear: efectúe las mismas operaciones en el orden inverso

Mando con dispositivos de seguridad fuera de uso: si los dispositivos de seguridad montados en la puerta no funcionaran correctamente, es igualmente posible accionar la puerta.

- Accione el mando de la puerta (con el telecomando, con el selector de llave, etc.); si todo es correcto, la puerta se abrirá o cerrará normalmente, en caso contrario, la luz intermitente destellará algunas veces y la maniobra no arrancará (la cantidad de destellos depende de la razón que impide que arranque la maniobra).
- En este caso, dentro de tres segundos, accione nuevamente el mando y manténgalo accionado.
- Transcurridos alrededor de 2s, empezará el movimiento de la puerta en modo "hombre muerto", es decir mientras se mantenga presionado el mando, la puerta seguirá moviéndose; ni bien se suelte el mando, la puerta se detendrá.

⚠ Con los dispositivos de seguridad fuera de uso es necesario hacer reparar lo antes posible el automatismo.

Sustitución de la pila del telecomando: si el radiomando después de transcurrido un cierto período no funciona correctamente o deja de funcionar, podría ser que la pila esté agotada (puede durar desde varios meses a más de un año según el uso). Ud. se podrá dar cuenta de este inconveniente por el hecho de que la luz del indicador de confirmación de la transmisión no se enciende, es débil, o bien se enciende sólo durante un breve instante. Antes de llamar al instalador, pruebe a sustituir la pila con una de otro transmisor que funcione correctamente: si el problema fuera este, sustituya la pila con otra del mismo tipo.

Atención: las pilas contienen sustancias contaminantes: no las arroje en los residuos normales sino que elimínelas de acuerdo con las leyes locales.

¿Está Ud. satisfecho? Si Ud. deseara montar en su casa un nuevo automatismo, contacte al mismo instalador y a Nice, así podrá contar con la garantía del asesoramiento de un experto y los productos más modernos del mercado, el mejor funcionamiento y la máxima compatibilidad de las automatizaciones. Le agradecemos por haber leído estas recomendaciones y esperamos que esté satisfecho de su nueva instalación: ante cualquier exigencia, contacte con confianza a su instalador.

Robus350

Spis:	pag.				
1	Ostrzeżenia	113	7	Rozszerzenie wiadomości	122
2	Opis produktu i jego przeznaczenie	113	7.1	Przyciski do programowania	122
2.1	Ograniczenia w użytkowaniu	113	7.2	Programowanie	122
2.2	Typowe urządzenie	114	7.2.1	Funkcje pierwszego poziomu (funkcje ON-OFF)	122
2.3	Wykaz przewodów	114	7.2.2	Programowanie pierwszego poziomu (funkcje ON-OFF)	123
3	Instalacja	114	7.2.3	Funkcje drugiego poziomu (parametry programowane)	123
3.1	Kontrola wstępna	115	7.2.4	Programowanie poziom drugi (parametry regulowane)	124
3.2	Mocowanie siłownika	115	7.2.5	Przykład programowania pierwszego poziomu (funkcje ON-OFF)	124
3.3	Instalowanie innych urządzeń	116	7.2.6	Przykład programowania na drugim poziomie (parametry regulowane)	125
3.4	Podłączenia elektryczne	116	7.3	Dodawanie lub demontaż urządzeń	125
3.5	Opis połączeń elektrycznych	117	7.3.1	BlueBUS	125
4	Końcowe kontrole przed uruchomieniem	117	7.3.2	Wejście STOP	125
4.1	Wybór kierunku	117	7.3.3	Fotokomórki	126
4.2	Podłączenie zasilania	118	7.3.4	Przyswajanie urządzeń	126
4.3	Przystosowanie urządzeń	118	7.4	Funkcje szczególne	126
4.4	Przyswojenie długości skrzydła	118	7.4.1	Funkcja "Zawsze otwórz"	126
4.5	Kontrola ruchu bramy	118	7.4.2	Funkcja "Rusz w każdym przypadku"	126
4.6	Funkcje wcześniej ustawione	118	7.5	Podłączenie innych urządzeń	127
4.7	Zapamiętanie nadajników radiowych	119	7.6	Rozwiązywanie problemów	127
4.7.1	Zapamiętanie w Trybie I	119	7.7	Diagnostyka i sygnalizacja	127
4.7.2	Zapamiętanie w Trybie II	119	7.7.1	Sygnalizacje z migaczem	128
4.7.3	Zapamiętanie "na odległość"	120	7.7.2	Sygnalizacja na centrali	128
4.7.4	Usunięcie z pamięci nadajników radiowych	120	7.8	Wyposażenie dodatkowe	129
4.7.5	Świadectwo zgodności odbiornika radiowego	120	8	Charakterystyki techniczne	130
5	Odbiór i przekazanie do pracy	120		Instrukcje i ostrzeżenia przeznaczone dla użytkownika siłownika ROBUS	131
5.1	Odbiór	121			
5.2	Przekazanie do pracy	121			
6	Konserwacja i likwidacja	121			
6.1	Konserwacja	121			
6.2	Likwidacja	121			

1) Ostrzeżenia

Ta instrukcja zawiera ważne informacje dotyczące bezpieczeństwa podczas instalowania, należy się z nią zapoznać przed rozpoczęciem prac instalacyjnych. Niniejsza instrukcję należy przechowywać w celu ewentualnej, przyszłej konsultacji.

Biorąc pod uwagę niebezpieczeństwa, jakie mogą wystąpić podczas instalowania i użytkowania ROBUS350, dla zwiększenia bezpieczeństwa, instalacja musi odpowiadać przepisom, normom i uregulowaniom prawnym. W tym rozdziale są przywołane wszystkie ostrzeżenia ogólne, inne, ważne ostrzeżenia są podane w rozdziałach "3.1 Kontrola wstępna"; "5 Odbiór i uruchomienie do pracy".

⚠ Według obowiązujących przepisów europejskich, wykonanie drzwi lub bramy automatycznej musi być zgodne z Dyrektywą 98/37/CE (Dyrektywa Maszyn), a w szczególności musi odpowiadać normom: EN 12445; EN 12453 i EN 12635, które pozwalają na uzyskanie świadectwa zgodności.

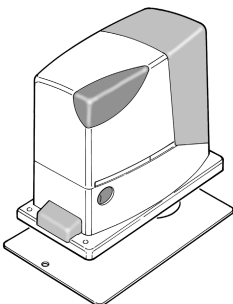
Dodatkowe informacje, wytyczne do analiz zagrożeń i Książka Techniczna, są dostępne na: www.niceforyou.com.

- Niniejsza instrukcja jest przeznaczona wyłącznie dla wykwalifikowanego personelu instalującego. Poza załączoną specyfikacją do oderwania dla instalatora, "Instrukcje i ostrzeżenia przeznaczone dla użytkownika silownika ROBUS", żadna inna informacja zawarta w niniejszej broszurze nie jest potrzebna dla ostatecznego użytkownika!
- Użycie ROBUS350 do innych celów niż przewidziano w niniejszej instrukcji jest zabronione; użycie niezgodne z przeznaczeniem może być powodem niebezpieczeństwa lub wyrządzić szkody ludziom albo rzeczom.

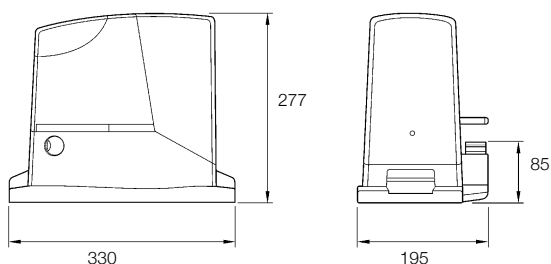
- Przed rozpoczęciem instalowania należy wykonać analizę zagrożeń z wykazem podstawowych warunków bezpieczeństwa, przewidzianych w załączniku I Dyrektywy Maszyn, wskazując odpowiednie rozwiązania jakie należy zastosować. Przypomina się, że analiza zagrożeń jest jednym z dokumentoskładowych "książki technicznej" automatyzacji.
- Należy sprawdzić konieczność zastosowania dodatkowych urządzeń w celu skompletowania automatyzacji z ROBUS350 na podstawie istniejących warunków użytkowania i innych, występujących zagrożeń; muszą, na przykład, być wzięte pod uwagę zagrożenia wynikające z uderzenia, zgniecenia, wciągnięcia itp., i inne ogólne zagrożenia.
- Nie wykonywać żadnych zmian na żadnej z części, jeśli nie są przewidziane w niniejszej instrukcji; operacje tego rodzaju mogą jedynie spowodować niewłaściwe działanie; NICE nie bierze odpowiedzialności za szkody powstałe na zmodyfikowanym produkcie.
- Podczas instalowania i użytkowania, należy uważać, aby do wnętrza centrali i innych urządzeń otwartych nie dostały się elementy stałe lub płynne; ewentualnie należy zwrócić się do serwisu technicznego NICE; użytkowanie ROBUS350 w takich sytuacjach może spowodować niebezpieczeństwo.
- Automat nie może być użytkowany, jeśli nie zostanie dopuszczony do pracy, zgodnie z rozdziałem: "5 Odbiór i dopuszczenie do pracy".
- Opakowanie ROBUS350 musi być zlikwidowane zgodnie z miejscowymi przepisami.
- Po zadziałaniu wyłączników automatycznych lub bezpieczników i przed ich przywróceniem do pierwotnej postaci, należy określić i wyeliminować usterkę.
- Przed otwarciem pokrywy ROBUS350 z zaciskami, należy odłączyć wszystkie obwody zasilające; jeśli urządzenie wyłączające jest niewidoczne z miejsca pracy, należy zawiesić tablicę "UWAGA - PRACE W TOKU".

2) Opis produktu i jego przeznaczenie

ROBUS350 jest silownikiem elektromechanicznym do automatycznego uruchamiania bram przesuwanych, używanych w budownictwie mieszkalnym, dysponuje kontrolującą centralą elektroniczną i odbiornikiem do sterowania radiowego. Podłączenia elektryczne do urządzeń zewnętrznych są uproszczone dzięki użyciu "BlueBUS", co pozwala na podłączenie więcej niż jednego urządzenia



za pomocą jedynie 2 przewodów. ROBUS350 działa przy pomocy energii elektrycznej, a w przypadku braku napięcia w sieci elektrycznej, można wysprzęglić za pomocą odpowiedniego klucza i przesunąć ręcznie bramę; albo też używając opcjonalne wyposażenie: akumulator awaryjny PS 124, który pozwala na wykonanie ruchu bez zasilania z sieci.



2.1) Ograniczenia w użytkowaniu

Dane dotyczące wydajności ROBUS350 są podane w rozdziale "8 Charakterystyki techniczne" i są jedynymi wartościami jakie pozwalają na właściwą ocenę możliwości użycia.

Ogólnie, ROBUS350 jest w stanie zautomatyzować bramy o wadze do 350Kg, lub o długości do 15m, tak jak to podano w tabelach N 1 i N 2.

Długość skrzydła pozwala na określenie maksymalnej ilości cykli na godzinę, oraz na ilość cykli kolejnych, natomiast ciężar pozwala na określenie procentowej redukcji cykli i maksymalną dozwoloną prędkość; na przykład jeśli skrzydło ma 5m długości byłyby możliwe 10 cykli/godzinę i 6 cykli kolejnych, natomiast dozwolona prędkość maksymalna wynosi V5: bardzo szybko.

W celu zapobiegnięcia przegrzaniu, w centrali zamontowany jest ogranicznik, które oblicza obciążenie silnika i czas trwania cykli, i interweniuje, kiedy zostaje przekroczona maksymalna wartość graniczna

Tabela N 1: ograniczenia wynikające z długości skrzydła.

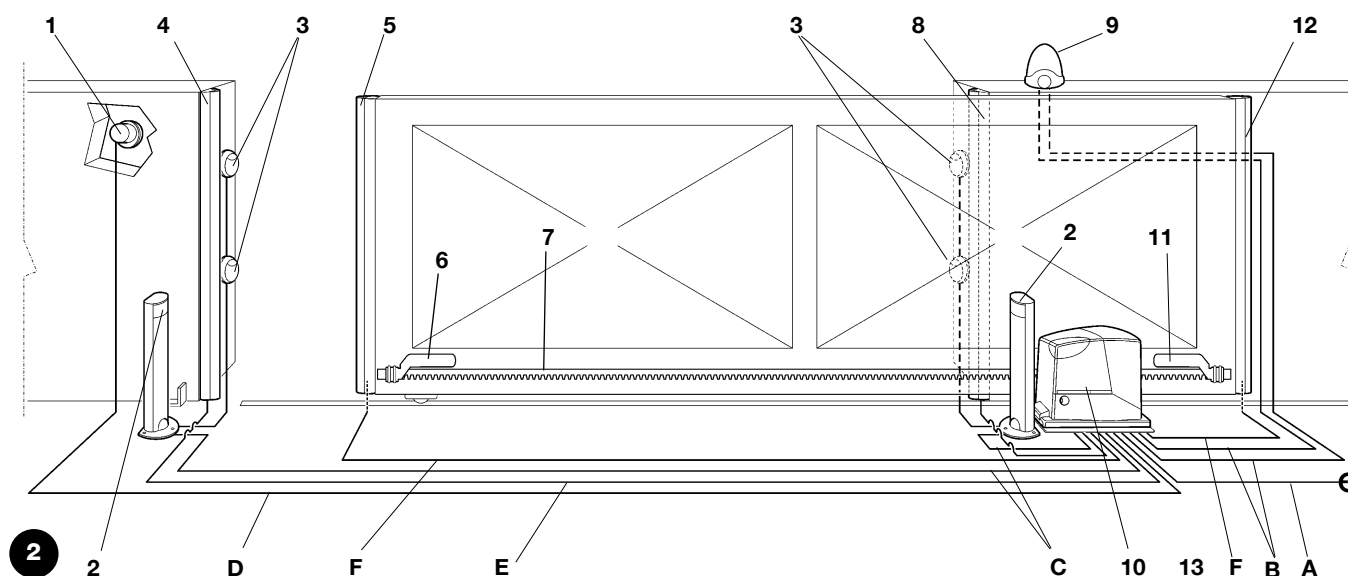
Długość skrzydła w metrach	maksymalna ilość cykli/godzinę	maksymalna ilość kolejnych cykli
Do 3	30	20
3÷5	18	12
5÷6	15	10
6÷7	12	8

Tabela N 2: ograniczenia wynikające z ciężaru skrzydła

Ciężar skrzydła w Kg.	Procentowa ilość cykli	Dozwolona prędkość maksymalna
Do 200	100%	V6 = Najszybciej
200÷250	90%	V5 = Bardzo szybko
250÷300	80%	V4 = Szybko
300÷350	70%	V3 = Średnio

2.2) Typowe urządzenie

Na rys. 2 jest pokazane typowe urządzenie automatyzujące bramę przesuwaną przy wykorzystaniu ROBUS350.



- | | | | |
|---|--|----|--|
| 1 | Przełącznik na klucz | 8 | Bok wtórny stały (opcja) |
| 2 | Fotokomórki na kolumnie | 9 | Światło migające z wbudowaną anteną |
| 3 | Fotokomórki | 10 | ROBUS350 |
| 4 | Bok główny stały (opcja) | 11 | Wspornik wyłącznika krańcowego "Zamknięte" |
| 5 | Bok główny ruchomy | 12 | Bok wtórny ruchomy (opcja) |
| 6 | Wspornik wyłącznika krańcowego "Otwarte" | 13 | Radionadajnik |
| 7 | Zębatka | | |

2.3) Wykaz przewodów

W typowym urządzeniu pokazanym na rysunku 1 są uwidocznione także przewody niezbędne do podłączenia różnych urządzeń; w tabeli nr3 są podane charakterystyki przewodów.

⚠ Użyte przewody muszą być zgodne z rodzajem instalacji; na przykład zaleca się przewód H03VV-F do wnętrza albo H07RN-F na zewnątrz.

Tabela N 3: wykaz przewodów

Podłączenie	Rodzaj przewodu	Maksymalna dozwolona długość
A: Linia elektryczna zasilająca	N 1 przewód 3x1,5mm ²	30m (uwaga 1)
B: Światło migające z anteną	N 1 przewód 2x0,5mm ²	20m
	N 1 przewód ekranowany RG58	20m (zaleca się krótszy niż 5m)
C: Fotokomórki	N 1 przewód 2x0,5mm ²	30m (uwaga 2)
D: Przełącznik na klucz	N 2 przewody 2x0,5mm ² (uwaga 3)	50m
E: Boki stałe	przewód 2x0,5mm ² (uwaga 4)	30m
F: Brzegi ruchome	przewód 2x0,5mm ² (uwaga 4)	30m (uwaga 5)

Uwaga 1: Jeśli przewód zasilający jest dłuższy niż 30m, to należy zastosować przewód o większym przekroju, na przykład 3x2,5mm², oraz niezbędne jest uziemienie w pobliżu automatyki.

Uwaga 2: jeśli przewód "BLUEBUS" jest dłuższy niż 30m, ale nie dłuższy niż 50m, to należy zastosować przewód 2x1mm².

Uwaga 3: dwa przewody 2x0,5mm² mogą być zastąpione jednym przewodem 4x0,5mm².

Uwaga 4: jeśli istnieje więcej niż jeden bok, patrz rozdział "7.3.2 Wejście STOP" dla zalecanego rodzaju połączenia

Uwaga 5: do połączenia brzegów ruchomych na skrzydłach przesuwanych należy wykorzystać odpowiednie urządzenia, które pozwalają na połączenie również wtedy, kiedy skrzydło jest w ruchu.

3) Instalacja

⚠ Instalacja ROBUS350 musi być wykonana przez wykwalifikowany personel, zgodnie z przepisami, normami i uregulowaniami prawnymi, oraz według niniejszej instrukcji.

3.1) Kontrola wstępna

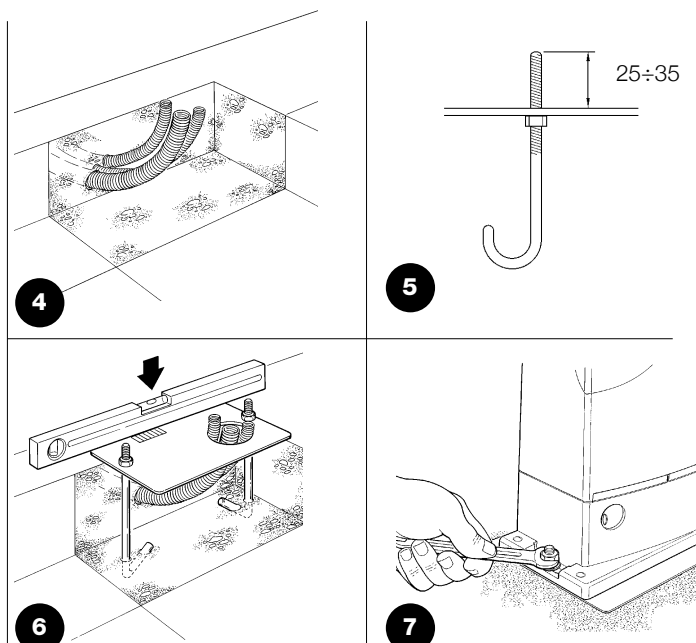
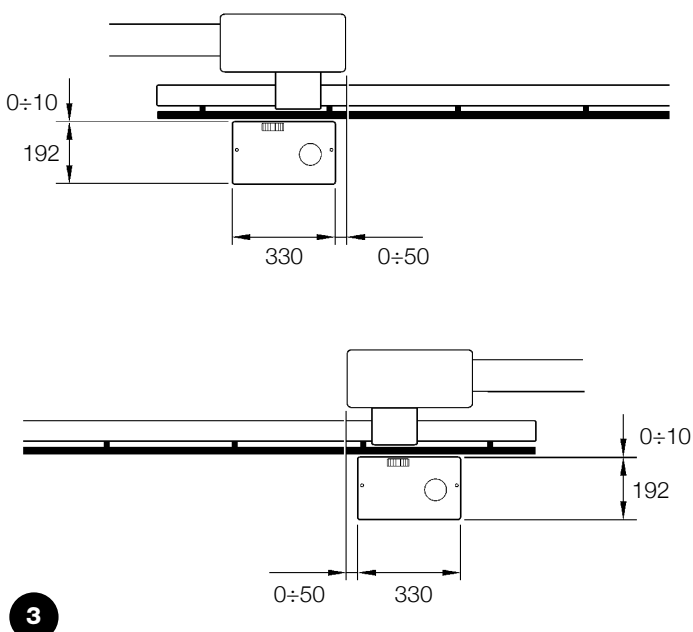
Przed przystąpieniem do instalacji ROBUS350, należy przeprowadzić następujące kontrole:

- Sprawdzić, czy cały materiał jaki ma być zastosowany jest w idealnym stanie, odpowiedni do użycia i zgodny z normami.
 - Sprawdzić, czy brama nadaje się do automatyzacji.
 - Sprawdzić, czy ciężar i wymiary skrzydła mieszczą się w granicach podanych w rozdziale "2.1. Wartości graniczne zastosowania".
 - Sprawdzić, porównując z wartościami podanymi w rozdziale "8 Charakterystyki techniczne", czy tarcie statyczne, (to znaczy siła niezbędna do poruszenia skrzydła) jest mniejsza od połowy "Siły maksymalnej", i czy tarcie dynamiczne (to znaczy siła potrzebna do utrzymania ruchu skrzydła) jest mniejsza od połowy "Siły nominalnej"; zaleca się margines 50% jeśli chodzi o siły, ponieważ warunki klimatyczne mogą zwiększyć tarcie.
 - Sprawdzić, czy na całej drodze przesuwu skrzydła, tak przy zamykaniu jak i przy otwieraniu nie ma miejsc gdzie występuje zwiększony opór.
 - Sprawdzić, czy nie ma niebezpieczeństwa wykołowania się skrzydła i czy nie występuje zagrożenie wysunięcia się z prowadnic.
 - Sprawdzić wytrzymałość ograniczników mechanicznych wybiegów, sprawdzając czy nie ma odkształceń również jeśli skrzydło miałoby uderzyć silnie w zderzak
 - Sprawdzić, czy skrzydło pozostaje w równowadze, to znaczy nie może się ruszać jeśli jest pozostawione zatrzymane w jakiegokolwiek pozycji.
 - Sprawdzić strefę mocowania siłownika, czy nie jest zalewana i, ewentualnie, zamontować siłownik na odpowiednim wsporniku nad ziemią.
- Sprawdzić, czy strefa mocowania siłownika pozwala na jego wysprężenie oraz bezpieczny i pewny przesuw ręczny.
 - Sprawdzić, czy punkty mocowania różnych urządzeń są w miejscach zabezpieczonych przed uderzeniami i czy ich powierzchnie są odpowiednio solidne.
 - Unikać, aby elementy automatyki zostały zanurzone w wodzie lub w innych cieczach.
 - Nie ustawiać ROBUS350 w pobliżu płomieni lub źródeł ciepła; w środowisku potencjalnie wybuchowym, szczególnie kwaśnym lub słonym; ponieważ może ono być powodem nieprawidłowego działania albo spowodować niebezpieczne zagrożenie.
 - W przypadku istnienia przejścia wewnątrz skrzydła lub przejścia w obszarze ruchu skrzydła, należy upewnić się, że nie utrudnia ono normalnego przesuwu i ewentualnie przewidzieć odpowiedni system blokujący.
 - Podłączyć centralę do elektrycznej linii zasilającej wyposażonej w uziemienie zabezpieczające.
 - Elektryczna linia zasilająca musi być odpowiednio zabezpieczona przez właściwe urządzenie magnetyczno-termiczne i różnicowe.
 - Na linii zasilającej z sieci elektrycznej należy zamontować urządzenie rozłączające zasilanie (z kategorią przepięcia III to znaczy odległość między stykami musi wynosić przynajmniej 3,5mm) albo inne, równorzędne urządzenie, na przykład wtyczkę i gniazdko. Jeśli urządzenie rozłączające nie znajduje się w pobliżu automatu, to należy zabudować system blokady przed przypadkowym lub nieuprawnionym włączeniem.

3.2) Mocowanie siłownika

Jeśli powierzchnia podparcia już istnieje mocowanie siłownika należy wykonać bezpośrednio na tej powierzchni, wykorzystując do tego celu odpowiednie środki jak na przykład kołki rozporowe. W przeciwnym przypadku, w celu zamocowania siłownika należy:

1. Wykonać wykop pod fundament o odpowiednich wymiarach wykorzystując jako odniesienie wartości podane na rys.3.
2. Przygotować jedną lub więcej rur do przeprowadzenia przewodów, tak jak na rys. 4.
3. Złączyć dwie śruby fundamentowe do płyty fundamentowej, wkładając jedną nakrętkę pod a drugą nad płytę; nakrętkę dolną należy dokręcić do końca gwintu w taki sposób, aby część nagwintowana wystawała około 25÷35mm nad płytą.

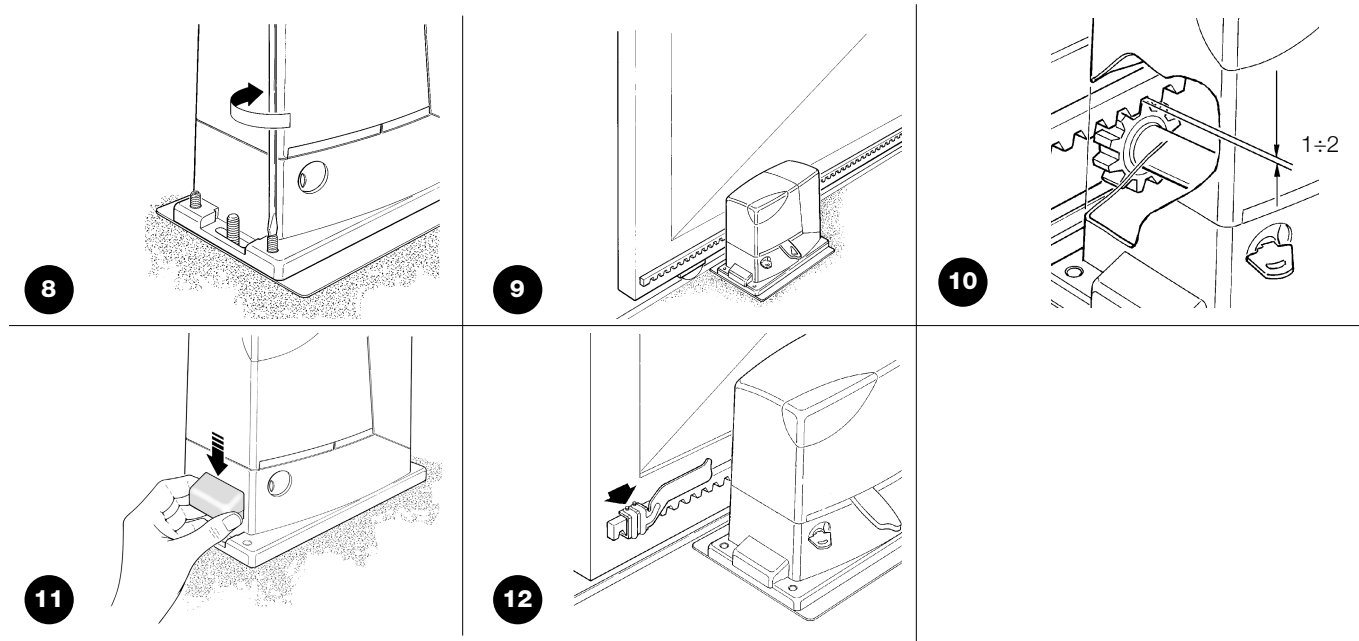


Jeśli zębatka już jest, to po zamocowaniu siłownika, należy ustawić kołki regulacyjne tak jak na rys. 8 i tak, aby ustawić koło zębate ROBUS350 na odpowiedniej wysokości, pozostawiając na zębatce luz na około 1÷2mm.

W przeciwnym wypadku, aby zamocować zębatkę należy:

- 6.** Odblokować siłownik w sposób podany w paragrafie "Wysprężlenie i ruch ręczny" w rozdziale "Instrukcje i ostrzeżenia przeznaczone dla użytkownika siłownika ROBUS".

- 7.** Całkowicie otworzyć skrzydło, oprzeć na kole zębatym pierwszy odcinek zębatki i sprawdzić czy początek zębatki odpowiada początkowi skrzydła jak na rys. 9. Sprawdzić czy pomiędzy kołem zębatym a zębatką jest luz 1÷2mm, następnie odpowiednimi narzędziami zamocować zębatkę do skrzydła.



⚠ W celu uniknięcia by ciężar skrzydła obciążał siłownik niezbędne jest, aby pomiędzy zębatką a kołem zębatym był luz 1÷2mm, tak jak na rys 10.

- 8.** Przesunąć skrzydło i wykorzystywać zawsze koło zębate jako punkt odniesienia do zamocowania następnycy elementów zębatki.
- 9.** Odciąć ostatni, nadmierny odcinek zębatki.
- 10.** Spróbować poruszać skrzydłem zamykając i otwierając go i sprawdzić, czy zębatka biegnie wzdłuż koła zębatego, z tolerancją współosiowości maksymalnie 5mm. Należy także sprawdzić, czy na całej długości jest luz 1÷2mm pomiędzy zębatką i kołem zębatym.

- 11.** Energicznie dokręcić nakrętki mocujące siłownik, upewniając się, że jest właściwie zamocowany do podłoża; Przykryć nakrętki mocujące odpowiednimi osłonami, tak jak na rys.11.

- 12.** Zamocować za pomocą odpowiednich śrub wspomnieni wyłączników krańcowych "Otwarcie" i "Zamknięcie" z obydwu końców zębatki, tak jak na rys. 12. Należy wziąć pod uwagę, że kiedy zadziałają wyłączniki krańcowe, to skrzydło przesunie się jeszcze o następne 2÷3cm; zaleca się więc ustawić wspomnieni wyłączników krańcowych z odpowiednim marginesem w stosunku do zderzaków mechanicznych.

- 13.** Zablokować siłownik tak jak podano w paragrafie "Odblokowanie i ruch ręczny" w rozdziale "Instrukcje i ostrzeżenia przeznaczone dla użytkownika siłownika ROBUS".

3.3) Instalowanie innych urządzeń

Wykonać instalację innych, przewidzianych urządzeń, przestrzegając odpowiednich instrukcji. Sprawdzić w paragrafie "3.5 Opis połączeń elektrycznych" i na rys. 1 urządzenia jakie mogą być podłączone do ROBUS350.

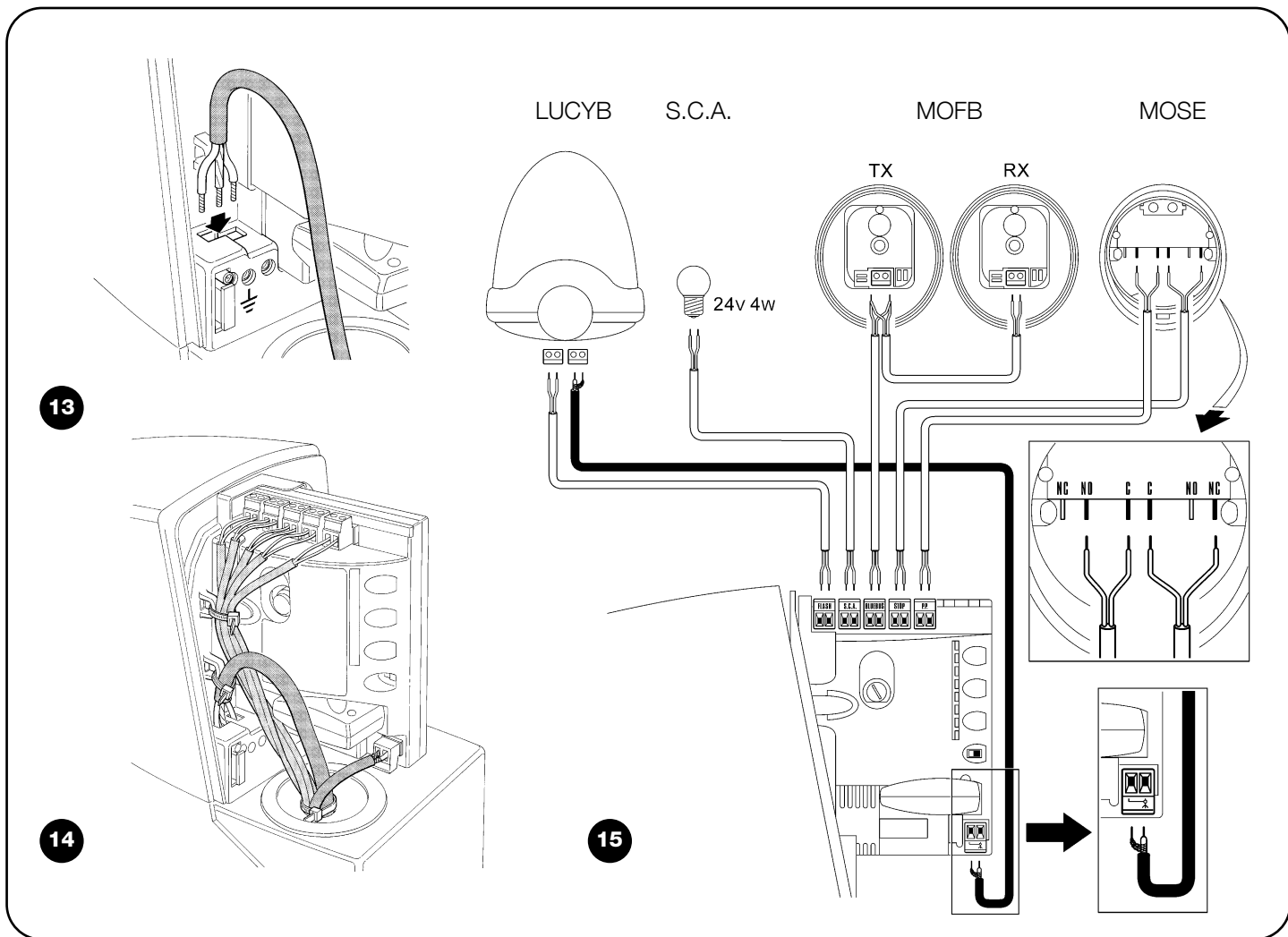
3.4) Podłączenia elektryczne

⚠ Wszystkie podłączenia elektryczne muszą być wykonane po odcięciu napięcia do urządzenia i z wyłączonym ewentualnym akumulatorem pomocniczym.

- 1.** Aby zdjąć pokrywę zabezpieczającą i dostać się do centrali kontrolnej ROBUS350, należy wykręcić śruby z boku i wyjąć pokrywę wyciągając ją w górę.
- 2.** Wyjąć gumową przelotkę, która zamyka otwór do przełożenia przewodów i przełożyć wszystkie przewody podłączeń do różnych urządzeń, pozostawiając je dłuższe o 20÷30cm od wyliczonej długości. Patrz tabela N 3 dla rodzaju przewodu i rys. 1 dla podłączeń.
- 3.** Za pomocą opaski zaciskowej związać wszystkie przewody, które

wchodzą do siłownika nieco poniżej otworu do wprowadzenia przewodów. Na przelotce z gumy wyciąć otwór o średnicy mniejszej od wiązki przewodów i założyć ją na przewody, doprowadzając aż do opaski zaciskowej. Założyć drugą opaskę zaciskową ponad przelotką.

- 4.** Podłączyć przewód zasilający do odpowiedniego zacisku, tak jak pokazano na rys. 13, następnie, za pomocą opaski zaciskowej unieruchomić przewód na pierwszym pierścieniu zaciskowym
- 5.** Wykonać podłączenia następnych przewodów zgodnie ze schematem na rys. 15. Dla ułatwienia zaciski można wyjąć.
- 6.** Po ukończeniu podłączeń, należy zablokować przewody następną opaską zaciskową na drugim pierścieniu, a nadmiar przewodu anteny należy zablokować z innymi przewodami za pomocą opaski zaciskowej tak, jak pokazano na rys. 14.



PL

3.5) Opis połączeń elektrycznych.

W tym paragrafie znajduje się krótki opis połączeń elektrycznych; dodatkowe informacje znajdują się w paragrafie "7.3 Dołączenie lub odłączenie urządzeń".

FLASH: wyjście do lampy sagn. typu "LUCYB" lub innych z lampką 12V maksymalnie 21W.

S.C.A.: wyjście "Lampka Brama Otwarta"; można podłączyć lampkę sygnalizacyjną 24V maksymalnie 4W.

BLUEBUS: do tego zacisku można podłączyć kompatybilne urządzenia; wszystkie są łączone równoległe z jedynie dwoma przewodami, którymi są zasilane jak i którymi przechodzą sygnały komunikowania. Inne informacje dotyczące BlueBUS znajdują się w paragrafie "7.3.1 BlueBUS".

STOP: wejście dla urządzeń, które blokują i ewentualnie zatrzymują wykonywany manewr; za pomocą odpowiednich sposobów na wejściu można podłączyć kontakty w rodzaju "Normalnie Zamknięty", "Normalnie Otwarty" lub urządzenia o stałej oporności. Dodatkowe informacje dotyczące STOP znajdują się w paragrafie "7.3.2 Wejście STOP".

P.P.: wejście dla urządzeń, które sterują ruchem; można podłączyć kontakty typu "Normalnie Otwarty".

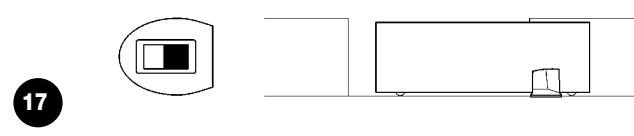
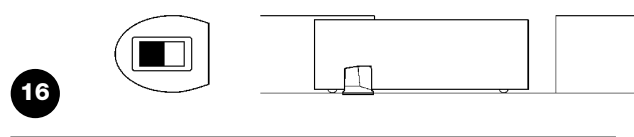
ANTENA: wejście podłączenia anteny dla odbiornika radiowego (antena jest zabudowana w LUCY B).

4) Końcowe kontrole przed uruchomieniem

Przed rozpoczęciem fazy kontroli i rozruchu automatyzacji zaleca się ustawienie skrzydła w połowie drogi tak, aby mogło się poruszać w kierunku otwarcia jak i zamknięcia.

4.1) Wybór kierunku

Zgodnie z pozycją słownika w stosunku do skrzydła niezbędne jest wybranie kierunku manewru otwarcia; jeśli dla otwarcia skrzydło ma się przesuwać w lewo, to należy przestawić przełącznik w lewo, tak jak na rys. 16, jeśli otwarcie skrzydła ma odbywać się w prawo, to należy przestawić przełącznik w prawo, tak jak na rys. 17.



4.2) Podłączenie zasilania

⚠ Podłączenie zasilania do ROBUS350 musi być wykonane przez fachowy, wykwalifikowany personel, posiadający niezbędne narzędzia i w pełnym poszanowaniu przepisów, norm i uregulowań prawnych.

Jak tylko zostanie dostarczone napięcie do ROBUS350, zaleca się wykonanie niektórych prostych kontroli:

1. Sprawdzić, czy lampka sygnalizacyjna BLUEBUS miga regularnie z częstotliwością jednego mignięcia na sekundę.
2. Sprawdzić, czy migają również lampki kontrolne na fotokomórkach (tak na TX jak i na RX); nie jest ważny rodzaj migania ponieważ uzależniony jest od innych czynników.

3. Sprawdzić, czy lampka migająca podłączona do wyjścia FLASH i lampka kontrolna podłączona do wyjścia S.C.A. nie palą się. Jeśli tak się nie dzieje należy natychmiast wyłączyć zasilanie centrali i sprawdzić uważnie połączenia elektryczne.

Inne informacje, niezbędne do wyszukiwania i diagnozy uszkodzeń są podane w rozdziale "7.6 Rozwiązywanie problemów".

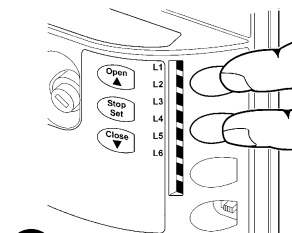
4.3) Przystosowanie urządzeń

Po podłączeniu zasilania należy spowodować przez centralę rozpoznawanie urządzeń podłączonych do wejść BLUEBUS i STOP.

Przed tą fazą lampki kontrolne L1 i L2 migają, wskazując, że należy wykonać rozpoznawanie urządzeń.

1. Wcisnąć i trzymać wciśnięte przyciski **[▲]** i **[Set]**
2. Zwolnić przyciski kiedy lampka L1 i L2 zaczną bardzo szybko migać (po około 3 sekundach)
3. Odczekać kilka sekund aż centrala skończy rozpoznawanie urządzeń
4. Po zakończeniu rozpoznania lampka STOP musi pozostać zapalona, lampki L1 i L2 zgasną (ewentualnie zaczną migać lampki L3 i L4)

Faza przyswajania podłączonych urządzeń może być powtórzona w jakimkolwiek momencie, również po zainstalowaniu dodatkowego urządzenia; w celu wykonania nowego przyswojenia patrz paragraf "7.3.4 Przystosowanie innych urządzeń".



18

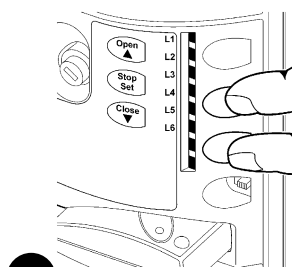
4.4) Przystosowanie długości skrzydła

Po przyswojeniu urządzeń rozpocznie się migotanie lampki L3 i L4; oznacza to, że centrala musi przyswoić długość skrzydła (odległość od wyłącznika krańcowego zamknięcia do wyłącznika krańcowego otwarcia);

ten wymiar jest niezbędny do wycięcia punktów zwalniania i punktu otwarcia częściowego.

1. Wcisnąć i trzymać wciśnięte przyciski **[▼]** i **[Set]**
2. Zwolnić przyciski kiedy rozpocznie się manewr (po około 3 sekundach)
3. Sprawdzić, czy wykonywanym manewrem jest otwarcie, w przeciwnym przypadku wcisnąć przycisk **[Stop]** i sprawdzić z większą uwagą paragraf "4.1 Wybór kierunku"; następnie powtórzyć od punktu 1.
4. Odczekać, aż centrala ukończy manewr otwarcia aż do osiągnięcia wyłącznika krańcowego otwarcia; zaraz potem rozpoczyna się manewr zamknięcia.
5. Odczekać aż centrala skończy manewr zamykania.

Jeśli tak się nie dzieje, należy natychmiast wyłączyć zasilanie centrali i sprawdzić z większą uwagą połączenia elektryczne. Inne potrzebne informacje znajdują się w rozdziale "7.6 Rozwiązywanie problemów".



19

4.5) Kontrola ruchu bramy

Po przyswojeniu długości skrzydła zaleca się wykonanie kilku manewrów, aby sprawdzić prawidłowy ruch bramy.

1. Wcisnąć przycisk **[Open]**, aby wykonać manewr "Otwarcie"; sprawdzić, czy otwieranie bramy przebiega bez zmiany prędkości; jedynie kiedy skrzydło znajduje się w położeniu pomiędzy 70 i 50cm od wyłącznika krańcowego otwarcia musi zwolnić i zatrzymać się po zadziałaniu wyłącznika krańcowego, w odległości 2÷3cm od zderzaka mechanicznego otwarcia.
2. Wcisnąć przycisk **[Close]**, aby wykonać manewr "Zamknięcie"; sprawdzić czy zamykanie bramy przebiega bez zmiany prędkości; jedynie kiedy skrzydło znajduje się w położeniu pomiędzy 70 i 50cm od wyłącznika krańcowego zamknięcia musi zwolnić i zatrzymać się po zadziałaniu wyłącznika krańcowego, w odległości 2÷3cm od zderzaka mechanicznego zamknięcia.

3. Podczas manewru sprawdzić czy migacz miga w cyklach 0,5 sekundy zapalony i 0,5 sekundy zgaszony. Jeśli jest, sprawdzić również miganie lampki kontrolnej podłączonej do zacisku SCA: miganie powolne przy otwieraniu i szybkie przy zamykaniu.

4. Wykonać różne manewry otwierania i zamykania w celu wychwycenia ewentualnych usterek montażu i regulacji, lub innych anomalii na przykład punktów ze zwiększonym tarciem.

5. Sprawdzić, czy mocowanie siłownika ROBUS350, zębátky i wspomników wyłączników krańcowych jest pewne, stabilne i odpowiednio wytrzymałe również podczas silnych przyspieszeń lub zwolnień ruchu bramy.

4.6) Funkcje wcześniej ustawione

Centrala kontrolna ROBUS350 posiada niektóre funkcje do zaprogramowania, u producenta te funkcje są ustawione w takiej konfiguracji, jaka powinna zadowolić większą część automatyzacji; w

każdym razie funkcje mogą być w każdej chwili zmienione dzięki odpowiedniej procedurze programowania. W tym celu patrz paragraf "7.2 Programowanie".

4.7) Zapamiętanie nadajników radiowych

Do sterowania na odległość ROBUS350, na centrali kontrolnej jest przewidziane złącze SM dla odbiorników radiowych typu SMXI lub SMXIS (patrz rys. 20); każdy nadajnik radiowy jest rozpoznany przez ten odbiornik za pomocą "kodu" innego od każdego innego nadajnika. Niezbędna jest więc faza "zapamiętania" poprzez którą ustawia się odbiornik do rozpoznania każdego pojedynczego nadajnika. Zapamiętanie nadajników może być wykonane według 2 trybów:

Tryb I: według tego trybu funkcja przycisków nadajnika jest stała i każdemu przyciskowi odpowiada w centrali polecenie podane w tabeli N 4; wykonuje się jedną fazę dla każdego nadajnika w którym zostają zapamiętane wszystkie przyciski, podczas tej fazy nie jest istotne, który przycisk został wciśnięty i zostaje zajęte tylko jedno miejsce w pamięci. W trybie I, zwykle jeden nadajnik może sterować tylko jedną automatyzacją.

Tryb II: w tym trybie każdy poszczególny przycisk nadajnika może być przypisany jednemu z 4 możliwych poleceń centrali podanych w tabeli N 5; dla każdej fazy zostaje zapamiętany tylko jeden przycisk, a konkretnie ten, który był wciśnięty podczas fazy zapamiętywania. W pamięci zostaje zajęte tylko jedno miejsce dla każdego zapamiętanego przycisku. W trybie II różne przyciski tego samego nadajnika mogą być użyte, aby przekazać więcej poleceń temu samemu automatowi, albo aby sterować większą ilością automatów. Na przykład, w tabeli N 6, jest sterowany jedynie automat "A" a przyciski T3 i T4 są przypisane temu samemu poleceniu; albo w przykładzie w tabeli 7 gdzie steruje się 3 automatami "A" (przyciski T1 i T2), "B" (przycisk T3) i "C" (przycisk T4).

⚠ Ponieważ procedury zapamiętania mają ograniczony czas do 10 sekund, to należy przedtem przeczytać instrukcje podane w następnych rozdziałach a następnie je zastosować.

Tabela N 4: zapamiętanie Tryb I.

Przycisk T1	Polecenie "PP"
Przycisk T2	Polecenie "Otwarcie przejścia"
Przycisk T3	Polecenie "Otwiera"
Przycisk T4	Polecenie "Zamyka"

Uwaga: nadajniki jednokanałowe dysponują tylko przyciskiem T1, nadajniki dwukanałowe posiadają jedynie przyciski T1 i T2.

Tabela N 5: polecenia do dyspozycji w Trybie II

N° 1	Polecenie "PP"
N° 2	Polecenie "Otwarcie przejścia"
N° 3	Polecenie "Otwiera"
N° 4	Polecenie "Zamyka"

Tabela N 6: 1 przykład zapamiętania w Trybie II

Przycisk T1	Polecenie "PP"	Automatyzacja A
Przycisk T2	Polecenie "Otwarcie przejścia"	Automatyzacja A
Przycisk T3	Polecenie "Otwiera"	Automatyzacja A
Przycisk T3	Polecenie "Zamyka"	Automatyzacja A

Tabela N 7: 2 przykład zapamiętania w Trybie II

Przycisk T1	Polecenie "Otwiera"	Automatyzacja A
Przycisk T2	Polecenie "Zamyka"	Automatyzacja A
Przycisk T3	Polecenie "PP"	Automatyzacja B
Przycisk T4	Polecenie "PP"	Automatyzacja C

4.7.1) Zapamiętanie w Trybie I

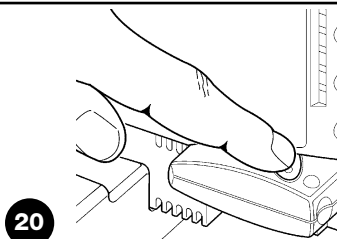











Tabela N 8: aby zapamiętać nadajnik w trybie I

	Przykład
1. Wcisnąć i trzymać wciśnięty mały przycisk na odbiorniku (przez około 3 sekundy)	 3s
2. Zwolnić mały przycisk kiedy zapali się lampka sygnalizacyjna na odbiorniku	 
3. W ciągu 10 sekund wcisnąć przez co najmniej 2 sekundy jakikolwiek przycisk nadajnika do zapamiętania	 2s
4. Jeśli zapamiętanie zostało zakończone sukcesem, to lampka sygnalizacyjna na odbiorniku wykona 3 mignięcia	 x3

Jeśli zapamiętanie zostało zakończone sukcesem, to lampka sygnalizacyjna na odbiorniku wykona 3 mignięcia. Jeśli są inne nadajniki do zapamiętania, należy powtórzyć punkt 3 w ciągu następnych 10 sekund. Faza zapamiętania kończy się, jeśli w ciągu 10 sekund nie są otrzymane nowe kody.

4.7.2) Zapamiętanie w Trybie II

Tabela N 9: aby zapamiętać nadajnik w trybie II

	Przykład
1. Wcisnąć mały przycisk odbiornika ilość razy odpowiadającą żądanemu poleceniu według tabeli N 5	 1...4
2. Sprawdzić, czy lampka kontrolna odbiornika miga taka ilość razy jak żądane polecenie	 1...4
3. W ciągu 10 sekund wcisnąć przez co najmniej 2 sekundy żądany przycisk nadajnika dla zapamiętania	 2s
4. Jeśli zapamiętanie zostało zakończone sukcesem, to lampka sygnalizacyjna na odbiorniku wykona 3 mignięcia.	 x3

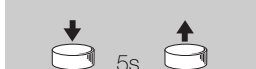


Jeśli są inne nadajniki do zapamiętania dla tego samego polecenia, należy powtórzyć punkt 3 w ciągu następnych 10 sekund. Faza zapamiętania kończy się, jeśli w ciągu 10 sekund nie są otrzymane nowe kody.

4.7.3) Zapamiętanie “na odległość”

Można zapamiętać nowy nadajnik bez używania bezpośrednio małego przycisku na odbiorniku; aby przeprowadzić takie działanie należy posiadać zdalne sterowanie już zapamiętane i działające. Nowy nadajnik “otrzyma” charakterystyki tego, który został już zapamiętany; tak więc, jeśli pierwszy nadajnik jest zapamiętany w trybie I to również nowy zostanie zapamiętany w trybie I i będzie można przycisnąć jakikolwiek z przycisków nadajników. Jeśli natomiast już działający nadajnik jest zapamiętany w Trybie II, to również nowy będzie zapamiętany w trybie II i istotnym jest wcisnąć w pierwszym nadajniku przycisk dotyczący żadanego polecenia a w drugim nadajniku przycisk mający być przypisany temu poleceniu.

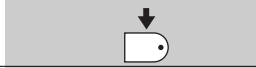



⚠ Zapamiętanie na odległość może mieć miejsce we wszystkich odbiornikach jakie znajdują się w promieniu zasięgu nadajnika; należy więc doprowadzić zasilanie jedynie do tego jaki chcemy ustawić.

Z dwoma nadajnikami ustawić się w promieniu działania automatyki i wykonać następujące kroki:

Tabela N 10: do zapamiętania nadajnika “na odległość”		Przykład
1.	Wcisnąć co najmniej przez 5 sekund przycisk nowego nadajnika radiowego, następnie przycisk zwolnić	
2.	Wcisnąć powoli 3 razy przycisk na nadajniku już zapamiętanym.	
3.	Wcisnąć powoli 1 raz przycisk na nowym nadajniku radiowym.	

Teraz nowy nadajnik radiowy zostanie rozpoznany przez odbiornik i przejmie charakterystyki jakie miał nadajnik już zapamiętany. Jeśli są inne nadajniki do zapamiętania, należy powtórzyć wszystkie kroki dla każdego nowego nadajnika.

4.7.4) Usunięcie z pamięci nadajników radiowych

Tabela N 11: aby usunąć z pamięci wszystkie nadajniki		Przykład
1.	Wcisnąć i trzymać wciśnięty mały przycisk na odbiorniku.	
2.	Poczekać aż zaświeci się lampka kontrolna, potem odczekać aż zgaśnie, a następnie odczekać aż mignie 3 razy	
3.	Zwolnić przycisk dokładnie podczas 3 mignięcia	
4.	Jeśli procedura została prawidłowo zakończona, po chwili lampka kontrolna mignie 5 razy.	

4.7.5) Świadectwo zgodności odbiornika radiowego

Świadectwo zgodność

N°: 151/SMXI

Uakt 03

Nice S.p.a., Via Pezza Alta 13, 31046 Rustigne' di Oderzo (TV) Italia

NICE S.p.a. oświadcza, że odbiorniki radiowe – modele SMXI, SMXIS i odpowiednio nadajniki FLO2R-S e SM2 są zgodne z podstawowymi warunkami podanymi w Dyrektywie R&TTE 1999/5/CE, do użytku dla którego aparaty te zostały przeznaczone. Wykonano w Klasie 1, Pod-klasa 20

Data: 19 Marzec 2004

Zarządca Pełnomocny
Lauro Buro



5) Odbiór i przekazanie do pracy

Jest to najważniejsza faza wykonania automatyzacji, która ma na celu zapewnienie maksymalnego bezpieczeństwa. Odbiór może stanowić również okresową kontrolę urządzeń, które składają się na automatyzację.

⚠ Odbiór całego urządzenia musi być przeprowadzony przez doświadczony i wykwalifikowany personel, który musi wykonać obowiązujące próby, zgodnie z istniejącymi zagrożeniami i z pełnym przestrzeganiem tego co przewiduje prawo, normatywy i uregulowania, a w szczególności zgodnie z wszystkimi warunkami normy EN 12445, która ustala metody prób do kontroli automatyzacji dla bram.

5.1) Próby odbiorcze

Każdy element automatyki, na przykład listwy, fotokomórki, obwód zatrzymania awaryjnego itp., wymagają specyficznej fazy odbioru; dla tych urządzeń będzie trzeba wykonać procedury podane w odpowiednich dla nich instrukcjach.

Podczas wykonywania prób odbiorczych siłownika ROBUS350 należy wykonać następującą sekwencję czynności:

1. Sprawdzić, czy były dokładnie przestrzegane wskazówki tego podręcznika, a w szczególności te z rozdziału „1 Ostrzeżenia”;
2. Odblokować siłownik w sposób podany w paragrafie “Wysprężnianie i ruch ręczny” w rozdziale “Instrukcje i ostrzeżenia przeznaczone dla użytkownika siłownika ROBUS350”.
3. Sprawdzić, czy można ręcznie poruszyć bramę przy zamykaniu i otwieraniu z siłą nie większą niż 390N (około 40 kg).
4. Blokowanie siłownika
5. Wykorzystując przewidziane urządzenia sterowania lub zatrzymania (wyłącznik na klucz, przyciski sterowania lub nadajniki radiowe),

wykonać próby otwarcia, zamknięcia i zatrzymania bramy i sprawdzić czy jej zachowanie odpowiada temu, jak powinna reagować.

6. Zweryfikować po kolei właściwe funkcjonowanie wszystkich urządzeń zabezpieczających znajdujących się w instalacji (fotokomórki, listwy, itd.), a także upewnić się, że brama zachowuje się zgodnie w sposób przewidywalny. W szczególności, za każdym razem, kiedy zadziała któreś urządzenie, dioda “BlueBUS”, znajdująca się na centrali, wykonuje 2 szybkie mignięcia jako potwierdzenie rozpoznania zdarzenia.
7. Jeśli niebezpieczne sytuacje wywołane ruchem skrzydła zostały zlikwidowane poprzez zmniejszenie siły uderzenia, należy wykonać pomiar siły według tego, co przewidziano w normie EN 12445. Jeśli regulacja “Prędkość” i kontrola “Siły silnika” są użyte jako pomoc w systemie zmniejszenia siły uderzenia, należy próbować i znaleźć taką regulację, która da najlepszy wynik.

5.2) Przekazanie do pracy

Przekazanie do pracy może nastąpić tylko po wykonaniu z wynikiem pozytywnym wszystkich faz odbioru ROBUS350 oraz innych zabudowanych urządzeń. Zabronione jest częściowe przekazanie do pracy w sytuacjach “prowizorycznych”.

1. Przez co najmniej 10 lat trzeba przechowywać dokumentację techniczną automatyki, która powinna zawierać: rysunek złożeniowy automatyki, schemat połączeń elektrycznych, analizę zagrożeń wraz z odpowiednimi, zastosowanymi rozwiązaniami, świadectwo zgodności producenta wszystkich użytych urządzeń (dla ROBUS350 użyć załączonego Świadectwa zgodności CE); kopie instrukcji użytkownika i harmonogram konserwacji automatyki.
2. Na bramie należy zamocować tabliczkę zawierającą przynajmniej następujące dane: rodzaj automatyki, nazwę i adres producenta (osoby odpowiedzialnej za dopuszczenie do użytkowania), numer urządzenia, rok produkcji i oznaczenie “CE”.

3. Zamocować w pewny sposób na końcu bramy etykietkę lub tabliczkę z opisem operacji do odblokowania i przesuwania ręcznego.
4. Opracować i przekazać właścicielowi świadectwo zgodności automatyki.
5. Opracować i przekazać właścicielowi podręcznik z “Instrukcją i ostrzeżeniami do używania automatyki”.
6. Opracować i przekazać właścicielowi harmonogram konserwacji automatyki (która musi zawierać wszystkie przepisy dotyczące konserwacji pojedynczych urządzeń).
7. Przed przekazaniem do pracy automatyki poinformować w odpowiedni sposób na piśmie właściciela (na przykład na podręczniku z instrukcjami i ostrzeżeniami do używania automatyki) o niebezpieczeństwach i zagrożeniach jeszcze występujących.

6) Konserwacja i likwidacja

W tym rozdziale są podane informacje niezbędne do wykonania planu (harmonogramu) konserwacji i likwidacji ROBUS350.

6.1) Konserwacja

W celu utrzymania stałego poziomu bezpieczeństwa i zapewnienia maksymalnego czasu użytkowania całej automatyki niezbędna jest regularna konserwacja.

⚠ Czynności konserwacyjne należy wykonywać przestrzegając normy bezpieczeństwa zamieszczone w niniejszej instrukcji i zgodnie z przepisami prawnymi i normami aktualnie obowiązującymi

Dla innych urządzeń, innych niż ROBUS350 należy przestrzegać odpowiednich harmonogramów konserwacji.

1. Dla ROBUS350 niezbędna jest konserwacja zaplanowana co 6 miesięcy lub co 10.000 manewrów od poprzedniej konserwacji;
2. Odłączyć jakiegokolwiek źródło zasilania elektrycznego, łącznie z ewentualnym dodatkowym akumulatorem
3. Sprawdzić stan zużycia wszystkich materiałów, które składają się na automatykę ze szczególnym uwzględnieniem zjawiska korozji lub oksydacji elementów strukturalnych; wymienić elementy, które nie gwarantują odpowiedniego działania.
4. Sprawdzić stan zużycia elementów ruchomych: koła zębatego, zębatki i wszystkich elementów skrzydła, wymienić części zużyte.
5. Ponownie podłączyć zasilanie elektryczne i wykonać wszystkie próby i kontrole przewidziane w paragrafie “5.1 Odbiór”.

6.2) Likwidacja

ROBUS jest wykonany z różnego rodzaju materiałów, niektóre z nich mogą być odzyskiwane; stal, aluminium, tworzywa sztuczne, przewody elektryczne; inne muszą być zlikwidowane: baterie i obwody elektroniczne.

⚠ Niektóre elementy mogą zawierać substancje trujące, nie wolno ich porzucać w przypadkowych miejscach. Zapoznajcie się ze sposobami recyklingu i dostosowujcie się do aktualnie obowiązujących w tym zakresie norm

1. Odłączyć źródło zasilania elektrycznego, łącznie z ewentualnym dodatkowym akumulatorem.
2. Zdemontować wszystkie urządzenia i akcesoria w kolejności odwrotnej do podanej w rozdziale „3 Instalowanie”
3. Oddzielić, o ile to możliwe, części, które mogą być poddane recyklingowi lub likwidacji w inny sposób, na przykład elementy metalowe od elementów z tworzyw sztucznych, obwody elektroniczne, baterie itp.
4. Rozdzielić i przekazać różne materiały tak oddzielone do central zajmujących się odzyskiwaniem materiałów wtórnych jakie występują na poziomie lokalnym.

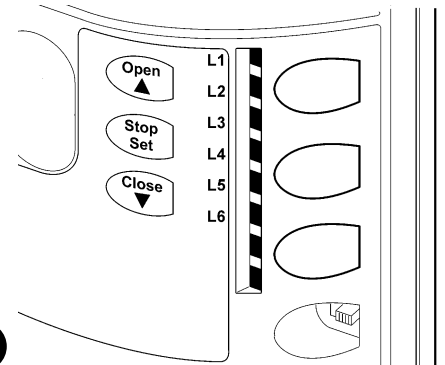
7) Rozszerzenie wiadomości

W tym rozdziale są podane możliwości programowania, personalizacji, diagnostyki i odszukiwania usterek w ROBUS350.

7.1) Przyciski do programowania

Na centrali kontrolnej ROBUS350 znajdują się 3 przyciski, które mogą być użyte tak do sterowania centrali podczas prób jak i do programowania:

Open ▲	Przycisk "OPEN" pozwala na sterowanie otwarciem bramy albo do przesunięcia w górę punkt programowania
Stop Set	Przycisk "STOP" pozwala na zatrzymanie manewru, jeśli pozostanie wciśnięty przez dłużej niż 5 sekund pozwala na wejście w programowanie.
Close ▼	Przycisk "CLOSE" pozwala na sterowanie zamknięciem bramy lub przesunięciem w dół punkt programowania.



7.2) Programowanie

Na centrali kontroli ROBUS350 są do dyspozycji niektóre funkcje jakie można programować; regulacja funkcji następuje za pomocą 3 przycisków znajdujących się na centrali: **[▲]** **[Set]** **[▼]** i są uwidocznione za pomocą 6 lampek kontrolnych led: **L1...L6**.

Funkcje jakie można programować i jakie są do dyspozycji na ROBUS350 są ustawione na dwóch poziomach:

Poziom pierwszy: funkcje regulowane w trybie ON-OFF (aktywna lub nieaktywna); w tym przypadku każda lampka led **L1...L6** wskazuje funkcję, jeśli się pali to funkcja jest aktywna, jeśli zgaszona to funkcja nie jest aktywna; patrz tabela N 12.

Poziom drugi: parametry jakie można regulować na skali wartości (wartości od 1 do 6); w tym przypadku każda lampka led **L1...L6** wskazuje wartość nastawioną pomiędzy 6 możliwościami; patrz tabela N 14.

7.2.1) Funkcje pierwszego poziomu (funkcje ON-OFF)




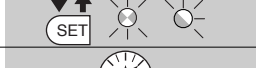

Tabela N 12: wykaz programowalnych funkcji: pierwszy poziom

Led	Funkcja	Opis
L1	Zamknięcie automatyczne	Ta funkcja pozwala na automatyczne zamknięcie bramy po zaprogramowanym czasie przerwy, fabryczny Czas Przerwy jest ustawiony na 30 sekund, ale może być zmieniony na 5, 15, 30, 45, 60 i 80 sekund. Jeśli funkcja nie jest uaktywniona, to działanie jest "pół-automatyczne".
L2	Zamknij po Foto	Ta funkcja pozwala na utrzymywaniu bramy otwartej przez czas niezbędny do przejścia przez nią, bowiem zawsze działanie fotokomórki „Foto” wywołuje automatyczne zamknięcie z czasem zwłoki 5 sekund (niezależnie od zaprogramowanej wartości). Sytuacja ta zmienia się w zależności od tego, czy jest aktywna, lub nie, funkcja „Automatycznego Zamknięcia”. Przy "Zamknięciu Automatycznym" nieaktywnym: Brama osiąga zawsze położenia całkowitego otwarcia (także jeśli zadziałanie fotokomórki ma miejsce wcześniej). Po wyłączeniu fotokomórki wywołuje się zamknięcie automatyczne ze zwłoką 5 sekundową. Przy "Zamknięciu Automatycznym" aktywnym: czynność zamykania następuje niezwłocznie po zwolnieniu linii Foto i wywoływane jest automatyczne zamknięcie ze zwłoką 5 sekundową. Funkcja "Zamknij po Foto" jest zawsze wyłączana podczas manewrów przerwanych poleceniem Stop. Jeśli funkcja "Zamknij po Foto" nie jest aktywna, czas zwłoki będzie taki jak zaprogramowany, albo nie nastąpi automatyczne zamknięcie, jeśli funkcja nie jest aktywna.
L3	Zawsze Zamyka Funkcja	„Zawsze Zamyka” działa, powodując zamknięcie, kiedy po przywróceniu zasilania zostaje wykryta otwarta brama. Ze względów bezpieczeństwa manewr poprzedza 5 sekund migania. Jeśli funkcja nie jest włączona, to po przywróceniu zasilania brama nie zamknie się.
L4	Stand-By	Ta funkcja pozwala na maksymalne zmniejszenie zużycia energii, jest szczególnie przydatna jeśli działa z dodatkowym akumulatorem. Jeśli ta funkcja jest włączona, to po 1 minucie od ukończenia manewru, centrala wyłączy wyjście BLUEBUS (a więc i urządzenia) i wszystkie lampki kontrolne, za wyjątkiem lampek kontrolnych BLUEBUS, które będą powoli migać. Jeśli funkcja nie jest włączona to nie będzie zmniejszenia zużycia energii.
L5	Ruszenie	Włączając tą funkcję, zostaje wyłączone stopniowe przyspieszenie podczas rozpoczęcia każdego manewru; pozwala na uzyskanie maksymalnej siły przy ruszeniu i jest wskazane tam, gdzie są duże statyczne siły tarcia, na przykład w przypadku śniegu lub lodu, który blokuje skrzydło. Jeśli ta funkcja nie jest włączona, to manewr rozpoczyna się ze stopniowym przyspieszeniem.
L6	Wstępne migotanie	Za pomocą funkcji wstępnego migotania zostaje dodana 3-sekundowa przerwa między włączeniem migotania i rozpoczęciem manewru w celu wcześniejszego powiadomienia o niebezpiecznej sytuacji. Jeśli wstępne migotanie nie jest włączone, to włączenie migania jest zrównane z rozpoczęciem manewru.

Podczas normalnej pracy ROBUS350 lampki kontrolne **L1 .L6** są zapalone lub zgaszone zgodnie ze stanem funkcji jaką przedstawiają, na przykład **L1** pali się jeśli jest włączone „Zamykanie Automatyczne”.

7.2.2) Programowanie pierwszego poziomu (funkcje ON-OFF)

Fabrycznie funkcje pierwszego poziomu są wszystkie ustawione na „OFF”, ale mogą być zmienione w każdym momencie, tak jak pokazano w tabeli N 13. Należy uważać przy wykonywaniu tej procedury, ponieważ maksymalny czas wynosi 10 sekund od wciśnięcia jednego przycisku do wciśnięcia następnego, w przeciwnym razie procedura zostaje zakończona automatycznie zapamiętując zmiany wykonane do tego momentu.

Tabela N 13: aby zmienić funkcję ON-OFF		Przykład
1.	Wcisnąć i trzymać wciśnięty przycisk [Set] przez około 3 sekundy	
2.	Zwolnić przycisk [Set] , kiedy lampka kontrolna L1 rozpocznie migać	
3.	Wcisnąć przyciski [▲] lub [▼] aby zamienić lampkę kontrolną, która migota na lampkę kontrolną, która przedstawia funkcję jaka ma być zmieniona	
4.	Wcisnąć przycisk [Set] , aby zmienić stan funkcji (miganie krótkie = OFF; miganie długie = ON)	
5.	Odczekać 10 sekund, aby wyjść z programowania dla maksymalnego czasu zakończenia.	

Uwaga: punkty 3 i 4 mogą być powtórzone podczas tej samej fazy programowania w celu wprowadzenia ON lub OFF dla innych funkcji

7.2.3) Funkcje drugiego poziomu (parametry programowane)

Tabela N 14: wykaz funkcji programowanych: poziom drugi				
Lampka wejścia	Parametr	Lampka (poziom)	wartość	Opis
L1	Czas Przerwa	L1	5 sekund	Reguluje czas przerwy, to znaczy czas przed powtórным zamknięciem automatycznym. Działa jedynie jeśli zamykanie automatyczne jest włączone.
		L2	15 sekund	
		L3	30 sekund	
		L4	45 sekund	
		L5	60 sekund	
		L6	80 sekund	
L2	Funkcja P.P.	L1	Otwiera-stop-zamyka- stop	Reguluje kolejność poleceń związanych z wejściem P.P albo przy 1 poleceniu radiowym (patrz tabele 4 i 5)
		L2	Otwiera - stop – zamyka - otwiera	
		L3	Otwiera-zamyka-otwiera-zamyk	
		L4	Wspólne	
		L5	Zamyka	
		L6	Obecność człowieka	
L3	Prędkość silnika	L1	B. Powoli	Reguluje prędkość silnika podczas biegu normalnego.
		L2	Powoli	
		L3	Średnia	
		L4	Szybko	
		L5	Bardzo szybko	
		L6	Najszybciej	
L4	Wyjście S.C.A.	L1	Funkcja S.C.A.	Reguluje funkcje związane z wyjściem S.C.A.
		L2	Włączona, jeśli skrzydło zamknięte	
		L3	Włączona, jeśli skrzydło otwarte	
		L4	Aktywna z 3 poleceniem radio	
		L5	Attiva con 4A comando radio	
		L6	Aktywna z 4 poleceniem radio	
L5	Siła silnika	L1	Brama "bardzo lekka"	Reguluje system kontroli siły silnika, aby dostosować ją do ciężaru bramy
		L2	Brama "lekka"	
		L3	Brama "średnia"	
		L4	Brama "średnio-ciężka"	
		L5	Brama "ciężka"	
		L6	Brama "bardzo ciężka"	
L6	Otwiera częściowo	L1	0,5 m	Reguluje wymiar częściowego otwarcia. Otwarcie częściowe można sterować tylko 2 poleceniem radio (patrz tabele 4 i 5)
		L2	1 m	
		L3	1,5 m	
		L4	2 m	
		L5	2,5 m	
		L6	3 m	

Uwaga: "■" przedstawia ustawienie fabryczne


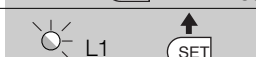






Wszystkie parametry mogą być regulowane według woli bez żadnych ograniczeń; jedynie regulacja „Mocy Silnika” wymaga szczególnej uwagi:

- Nie zaleca się stosowania dużych wartości mocy w celu skompensowania faktu że skrzydło ma pewne, anormalne miejsca tarcia; nadmierna siła może wpłynąć na system bezpieczeństwa lub zniszczyć skrzydło.

- Jeśli kontrola „mocy silnika” jest stosowana jako pomoc do zmniejszenia siły uderzenia, to po każdej regulacji należy powtórzyć pomiar siły, tak jak przewidziano w normie EN 12445.
- Zużycie i warunki atmosferyczne wpływają na ruch bramy, okresowo należy powtórzyć kontrolę regulacji siły

7.2.4) Programowanie poziom drugi (parametry regulowane)







Fabrycznie parametry regulowane są ustawione tak jak w tabeli z: " [] ", ale mogą być zmienione w jakimkolwiek momencie, zgodnie z tym co podano w tabeli N 15. Należy uważać przy wykonywaniu tej procedury, ponieważ maksymalny czas wynosi 10 sekund od wciśnięcia jednego przycisku do wciśnięcia następnego, w przeciwnym razie procedura zostaje zakończona automatycznie zapamiętując zmiany wykonane do tego momentu.

Tabela N 15: aby zmienić nastawialne parametry		Przykład
1.	Wcisnąć i trzymać wciśnięty przycisk [Set] przez około 3 sekundy	 3s
2.	Zwolnić przycisk [Set] , kiedy lampka kontrolna L1 rozpocznie migać	
3.	Wcisnąć przyciski [▲] lub [▼] aby zamienić lampkę kontrolną „na wejściu”, która miga i która przedstawia parametr jaki ma być zmieniony	
4.	Wcisnąć i trzymać wciśnięty przycisk [Set] , przycisk [Set] musi być wciśnięty pomiędzy krokiem 5 i 6	
5.	Odczekać około 3 sekundy, następnie zapali się lampka kontrolna przedstawiająca aktualny poziom parametru do zmiany	
6.	Wcisnąć przyciski [▲] lub [▼] aby zamienić lampkę kontrolną, która miga na lampkę kontrolną która przedstawia parametr	
7.	Zwolnić przycisk [Set]	
8.	Odczekać 10 sekund, aby wyjść z programowania dla maksymalnego czasu zakończenia	 10s

Uwaga: punkty od 3 do 7 mogą być powtórzone podczas tej samej fazy programowania w celu regulacji większej ilości parametrów

7.2.5) Przykład programowania pierwszego poziomu (funkcje ON-OFF)


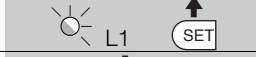









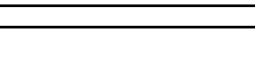
Jako przykład jest przywołana sekwencja operacji, aby zmienić ustawienie fabryczne funkcji, aby włączyć funkcje „Zamykanie Automagiczne” (L1) i „Zawsze Zamyka” (L3).

Tabela N 16: przykład programowania na pierwszym poziomie		Przykład
1.	Wcisnąć i trzymać wciśnięty przycisk [Set] przez około 3 sekundy	 3s
2.	Zwolnić przycisk [Set] , kiedy lampka kontrolna L1 rozpocznie migać	
3.	Wcisnąć jeden raz przycisk [Set] , aby zmienić stan funkcji powiązanej z L1 (Zamknięcie Automagiczne), teraz lampka kontrolna L1 miga długimi mignięciami.	
4.	Wcisnąć 2 razy przycisk [▼] aby przesunąć lampkę migającą na lampkę L3	
5.	Wcisnąć jeden raz przycisk [Set] , aby zmienić stan funkcji powiązanej z L3 (Zawsze Zamyka), teraz lampka kontrolna L3 miga długimi mignięciami.	
6.	Odczekać 10 sekund, aby wyjść z programowania dla maksymalnego czasu zakończenia.	 10s

Po zakończeniu tych operacji lampki L1 i L3 muszą pozostać zapalone i wskazywać że są włączone funkcje „Zamknięcie Automagiczne” i „Zawsze Zamyka”.

7.2.6) Przykład programowania na drugim poziomie (parametry regulowane)

Jako przykład jest podana sekwencja operacji w celu zmiany ustawienia fabrycznych parametrów i zwiększenie „Czasu Przerwy” do 60 sekund (wejście na L1 i poziom na L5) i zmniejszenia „Siły Silnika” dla bram lekkich (wejście na L5 i poziom na L2).

Tabela N 17: przykład programowania drugiego poziomu		Przykład
1.	Wcisnąć i trzymać wciśnięty przycisk [Set] przez około 3 sekundy	
2.	Zwolnić przycisk [Set] , kiedy lampka kontrolna L rozpocznie migać	
3.	Wcisnąć i trzymać wciśnięty przycisk [Set] ; przycisk [Set] musi być wciśnięty podczas wszystkich kroków 4 i 5.	
4.	Odczekać około 3 sekundy aż zapali się lampka L3, która przedstawia aktualny poziom „Czasu Przerwy”	
5.	Wcisnąć 2 razy przycisk [▼] aby przesunąć zapaloną lampkę na L5 która przedstawia nową wartość „czasu Przerwy”	
6.	Zwolnić przycisk [Set]	
7.	Wcisnąć 4 razy przycisk [▼] aby przesunąć migającą lampkę na L5	
8.	Wcisnąć 4 razy przycisk [Set] ; przycisk [Set] musi być wciśnięty podczas wszystkich kroków 9 i 10.	
9.	Odczekać około 3 sekundy aż zapali się lampka L5, która przedstawia aktualny poziom „Siły Silnika”	
10.	Wcisnąć 3 razy przycisk [▲] aby przesunąć zapaloną lampkę na L2, która przedstawia nową wartość „Siły Silnika”	
11.	Zwolnić przycisk [Set]	
12.	Odczekać 10 sekund, aby wyjść z programowania dla maksymalnego czasu zakończenia.	

7.3) Dodawanie lub demontaż urządzeń

Przy automatyzacji z ROBUS350 istnieje możliwość dodawania lub demontażu urządzeń w jakimkolwiek momencie. W szczególności do „BLUEBUS” i do wejścia „STOP” mogą być podłączone różne rodzaje

urządzeń, tak jak podano w paragrafach „7.3.1 BlueBUS” i „7.3.2 Wejście „STOP”.

7.3.1) BlueBUS

BlueBUS jest techniką, która pozwala na wykonanie połączeń urządzeń kompatybilnych za pomocą jedynie dwóch przewodów, którymi jest przesyłane zasilanie elektryczne jak i sygnały komunikatów. Wszystkie urządzenia są podłączane równolegle na tych samych 2 przewodach BlueBUS i bez konieczności przestrzegania biegunowości; każde urządzenie jest rozpoznawane pojedynczo, ponieważ podczas instalowania jest mu przypisany jeden, niepowtarzalny adres. Do BlueBUS można podłączyć na przykład: fotokomórki, urządzenia bezpieczeństwa, przyciski sterowania, lampki

sygnalizacyjne itp. Centrala kontrolna ROBUS350 rozpoznaje jedno po drugim wszystkie urządzenia podłączone poprzez odpowiednią fazę rozpoznania i jest w stanie pewnie wykryć wszelkie anomalie. Z tego powodu za każdym razem kiedy jest dodawane lub demontowane jakieś urządzenie podłączone do BlueBUS, należy w centrali przeprowadzić fazę rozpoznania, tak jak opisano w paragrafie „7.2.4 Rozpoznawanie innych urządzeń”.

7.3.2) Wejście STOP

STOP jest wejściem, które powoduje natychmiastowe zatrzymanie manewru po czym następuje krótka zmiana kierunku (odjechanie). Do tego wejścia mogą być podłączone urządzenia z wyjściem na kontakt normalnie otwarty „NA”, normalnie zamknięty „NC”, albo urządzenia z wyjściem na opór stały 8,2k Ω , na przykład czujniki brzegów.

Tak jak dla BlueBUS, centrala rozpoznaje rodzaj urządzenia podłączonego do wejścia STOP podczas fazy rozpoznawania (patrz paragraf „7.2.4 Rozpoznawanie innych urządzeń”); następnie zostaje wywołany STOP kiedy zostanie stwierdzona jakaś zmiana w porównaniu z przyswojonym stanem.

Za pomocą odpowiednich narzędzi istnieje możliwość podłączenia do wejścia STOP więcej niż jednego urządzenia, nawet innego rodzaju:

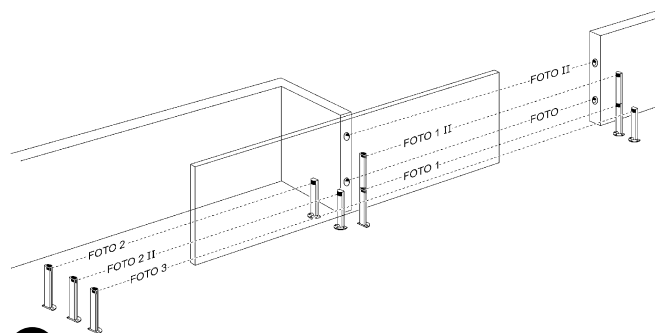
- Więcej urządzeń NA można podłączyć równolegle pomiędzy nimi bez żadnego ograniczenia ilości.
- Więcej urządzeń NC można podłączyć szeregowo pomiędzy nimi bez żadnego ograniczenia ilości.

- Dwa urządzenia z wyjściem na stały opór 8,2k Ω mogą być podłączone równolegle; jeśli jest ich więcej niż 2, to mogą być podłączone w „kaskadzie” z jednym jedynie oporem na końcu 8,2k Ω
- Możliwa jest kombinacja NA i NC ustawiając 2 kontakty równolegle z zastrzeżeniem umieszczenia w zestawie (seryjnie) do kontaktu NC z oporem 8,2k Ω (pozwala to także na kombinację 3 urządzeń: NA, NC i 8,2k Ω).

⚠ Jeśli wejście STOP jest używane do podłączenia urządzeń z funkcjami bezpieczeństwa, jedynie urządzenia na stały opór 8,2k Ω zapewniają 3 kategorię bezpieczeństwa na usterki według normy EN 954-1.

7.3.3) Fotokomórki

System „BlueBUS” pozwala, poprzez adresowanie przy pomocy odpowiednich mostków, na rozpoznanie fotokomórek przez centralę i do przydzielenia właściwej funkcji odczytu. Operacja adresowania tak na TX jak i na RX (ustawiając mostki w ten sam sposób) sprawdza, czy nie ma innych par fotokomórek z tym samym adresem. W automatyzacji bram przesuwanych z ROB350 można zainstalować fotokomórki tak jak pokazano na rys. 22. Po instalacji lub demontażu fotokomórek będzie trzeba wykonać fazę przyswojenia opisaną w paragrafie „7.3.4 Przyswojenie innych urządzeń”.



22

Tabela N 18: adresy fotokomórek

Fotokomórka	Mostki	Fotokomórka	Mostki
FOTO Fotokomórka zewnętrzna h = 50 działająca przy zamykaniu		FOTO 2 Fotokomórka zewnętrzna działająca przy otwieraniu	
FOTO II Fotokomórka zewnętrzna h = 100 działająca przy zamykaniu		FOTO 2 II Fotokomórka zewnętrzna działająca przy otwieraniu	
FOTO 1 Fotokomórka wewnętrzna h = 50 działająca przy zamykaniu		FOTO 3 Fotokomórka pojedyncza, która pokrywa całą automatyzację	
FOTO 1 II Fotokomórka zewnętrzna h = 100 działająca przy zamykaniu		<p>⚠ Instalacja FOTO 3 razem z FOTO II wymaga pozycji elementów, które tworzą fotokomórkę (TX-RX) i są zgodne z ostrzeżeniem podanym w książce instrukcji fotokomórek</p>	

7.3.4) Przyswajanie urządzeń

Zwykle operacja przyswojenia urządzeń podłączonych do BlueBUS i do wejścia STOP jest wykonywana podczas fazy instalacyjnej; jednak jeśli są dodane lub zdemontowane urządzenia można powtórzyć przyswojenie w następujący sposób:

Tabela N 19: do przyswojenia innych urządzeń

	Przykład
1. Wcisnąć i trzymać wciśnięte przyciski [▲] i [Set]	
2. Zwolnić przyciski kiedy lampki L1 i L2 rozpoczną szybkie miganie (po około 3 sekundach)	
3. Odczekać kilka sekund aż centrala zakończy przyswajanie urządzeń	
4. Na zakończenie przyswajania lampki L1 i L2 przestaną migać, lampka STOP musi pozostać zapalona, natomiast lampki L1...L6 zapalą się zgodnie ze stanem funkcji ON-OFF jakie przedstawiają.	

⚠ Po dodaniu lub demontażu urządzeń jest niezbędne wykonanie ponownie odbioru automatyzacji zgodnie z tym jak podano w paragrafie „5.1 Odbiór”.

7.4) Funkcje szczególne

7.4.1) Funkcja „Zawsze otwórz”

Funkcja „Zawsze otwórz” jest jedna z właściwości centrali kontrolnej, która pozwala zawsze na polecenie manewru otwarcia, kiedy sterowanie „krok-po-kroku” trwa dłużej niż 2 sekundy; jest to przydatne, na przykład, aby podłączyć do zacisku P.P. kontaktu zegara

programującego, aby brama była otwarta w pewnym przedziale godzin dnia. Ta właściwość jest ważna bez względu na rodzaj programowania wejścia P.P. wyłączając programowanie w rodzaju „Zamyka”, patrz parametr „Funkcja P.P.” w tabeli N 14.

7.4.2) Funkcja „Rusz w każdym przypadku”

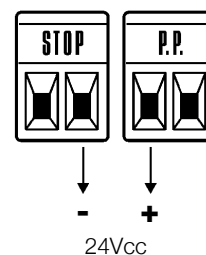
W przypadku kiedy urządzenie bezpieczeństwa nie działa prawidłowo lub nie działa w ogóle, istnieje możliwość sterowaniem i przesuwaniem bramy w trybie „Obecność osoby”. Szczegóły są podane w paragrafie

„Sterowanie z zabezpieczeniami niedziałającymi”, znajdującym się w załączniku „Instrukcje i ostrzeżenia przeznaczone dla użytkownika siłownika ROB350”.

7.5) Podłączenie innych urządzeń

Jeśli istnieje potrzeba zasilania urządzeń zewnętrznych jak na przykład czytnik zbliżeniowy dla legitymacji z transponderem albo światła oświetlającego wyłącznik z kluczem, można pobrać zasilanie tak jak pokazano na rys.23.

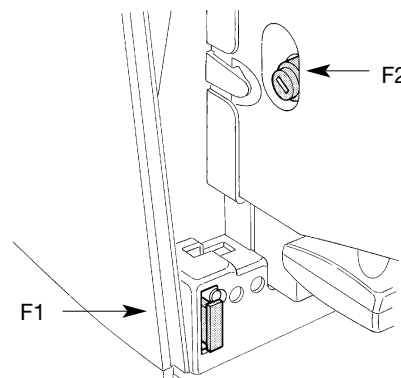
Napięcie zasilania wynosi 24Vprąd stały – 30%÷ +50% z maksymalnym prądem do dyspozycji 100mA.



23

7.6) Rozwiązywanie problemów

W tabeli N 20 można znaleźć przydatne wskazówki do przezwyciężenia ewentualnych przypadków złego działania jakie mogą się zdarzyć podczas instalowania lub w przypadku usterki.



24

Tabela N 20: odszukiwanie usterek

Symptomy	Zalecane kontrole
Nadajnik radiowy nie steruje bramą i lampka na nadajniku nie zapala się.	Sprawdzić, czy baterie nadajnika nie wyczerpały się, ewentualnie je wymienić.
Nadajnik radiowy nie steruje bramą ale lampka na nadajniku zapala się.	Sprawdzić czy nadajnik jest prawidłowo zapamiętany w odbiorniku radiowym
Nie można sterować żadnym manewrem i lampka „BLUEBUS” nie miga.	Sprawdzić, czy ROBUS350 jest zasilany napięciem z sieci 230V. Sprawdzić czy nie są uszkodzone bezpieczniki; w tym przypadku, wykryć powód uszkodzenia i następnie wymienić bezpieczniki na nowe o tej samej wartości prądu i charakterystykach.
Nie można sterować żadnym manewrem i lampka nie pali się	Sprawdzić, czy polecenie jest rzeczywiście odbierane. Jeśli polecenie dochodzi do wejścia PP to odpowiednia lampka musi się zapalić; jeśli natomiast jest użyty nadajnik radiowy, to lampka „BlueBUS” musi wykonać dwa szybkie mignięcia.
Nie można sterować żadnym manewrem i lampka wykonuje kilka mignięć.	Policzyć ilość mignięć i sprawdzić z zawartością tabeli N 21
Manewr rozpoczyna się, lecz zaraz po tym następuje zwrot	Wybrana siła może być za mała dla tego rodzaju bramy. Sprawdzić czy niema przeszkód i ewentualnie wybrać większą siłę.
Manewr jest wykonywany w sposób prawidłowy, ale miganie lampki nie działa.	Sprawdzić, czy podczas manewru jest napięcie na zacisku FLASH migacza (ponieważ jest przerywany, jego wartość napięcia niema znaczenia: około 10-30Vprąd stały); jeśli napięcie jest, to problem jest spowodowany lampką, którą należy wymienić na inną o takich samych charakterystykach; jeśli brak napięcia, może być to przepięcie na wyjściu FLASH, sprawdzić, czy niema zwarcia na przewodzie.
Manewr jest wykonywany w sposób prawidłowy ale lampka kontrolna SCA nie działa	Sprawdzić rodzaj zaprogramowanej funkcji dla wyjścia SCA (Tabela N 14). Kiedy lampka kontrolna powinna się palić, sprawdzić, czy jest napięcie na zacisku SCA (około 24Vprąd stały); jeśli napięcie jest, to problem jest spowodowany lampką kontrolną, którą należy wymienić na inną o takich samych charakterystykach; jeśli brak napięcia, może być to przepięcie na wyjściu SCA, sprawdzić, czy niema zwarcia na przewodzie.

7.7) Diagnostyka i sygnalizacja

Niektóre urządzenia posiadają bezpośrednio specjalną sygnalizację za pomocą, której można łatwo określić stan działania lub działanie nieprawidłowe.

7.7.1) Sygnalizacje z migaczem

Sygnalizator migający FLASH podczas manewru miga z częstotliwością jednego mignięcia na sekundę; kiedy zdarzą się anomalie, są podane dwa krótkie mignięcia; i te mignięcia powtarzają się dwa razy, oddzielone sekundową przerwą.

Tabela N 21: sygnalizacja na migaczu FLASH

Szybkie miganie	Przyczyna	AKCJA
1 mignięcie przerwa 1 sekunda 1 mignięcie	Błąd w BluBUS	Na początku manewru, kontrola urządzeń podłączonych do BLUEBUS nie odpowiada tym jakie zostały zapamiętane podczas fazy przyswajania. Możliwe, że są urządzenia uszkodzone, należy je sprawdzić i wymienić; jeśli zostały wprowadzone zmiany należy powtórzyć przyswojenie (7.3.4 Przyswojenie innych urządzeń)
2 mignięcia przerwa 1 sekunda 2 mignięcia	Zadziałanie fotokomórek	Na początku manewru jedna lub więcej fotokomórek nie daje zgody na ruch, sprawdzić czy niema przeszkód. Podczas ruchu jest to normalne jeśli pojawi się jakaś przeszkoda.
3 mignięcia przerwa 1 sekunda 3 mignięcia	Zadziałanie ogranicznika „Siły Silnika”	Podczas ruchu brama napotkała większe tarcie; sprawdzić przyczynę
4 mignięcia przerwa 1 sekunda 4 mignięcia	Zadziałanie wejścia STOP	Na początku manewru lub podczas ruchu powstało zadziałanie wejścia STOP; sprawdzić przyczynę.
5 mignięć przerwa 1 sekunda 5 mignięć	Odczekać co najmniej 30 sekund i ponowić próbę polecenia	eśli pozostaje taki sam stan to może się okazać, że jest to poważna usterka i wymaga wymiany obwodu drukowanego.
6 mignięć przerwa 1 sekunda 6 mignięć	Przekroczono limit manewrów na godzinę.	Odczekać kilka minut, aby ogranicznik ilości manewrów powrócił pod maksymalną liczbę graniczną manewrów.
7 mignięć przerwa 1 sekunda 7 mignięć	Błąd w wewnętrznych obwodach elektrycznych	Rozłączyć wszystkie obwody zasilania na kilka sekund, potem spróbować powtórnie dając polecenie; jeśli stan się nie zmienia może się okazać, że jest to poważna usterka i wymaga wymiany obwodu drukowanego

7.7.2) Sygnalizacja na centrali

W centrali ROBUS350 znajduje się zestaw lampek LED z, których każda może dostarczyć specyficznych sygnałów, tak podczas normalnej pracy jak i w przypadku zaistnienia anomalii

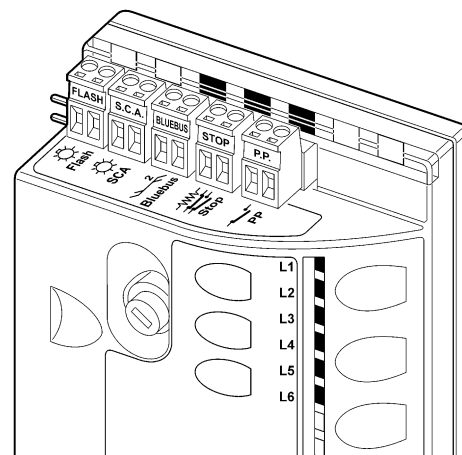


Tabela N 22: lampki sygnalizacyjne na zaciskach centrali

Lampka BLUEBUS	Przyczyna	DZIAŁANIE
Wyłączony	Anomalia	Sprawdzić czy jest zasilanie; sprawdzić czy nie zadziałały bezpieczniki; w takim przypadku sprawdzić przyczynę ich zadziałania a potem wymienić je na nowe o tych samych wartościach.
Dostęp	Poważna anomalia	Jest to poważna anomalia; spróbować wyłączyć na chwilę centralę; jeśli stan się utrzymuje jest to poważna usterka i wymaga wymiany obwodu drukowanego
Jedno mignięcie na sekundę	Wszystko OK	Prawidłowe działanie centrali
2 szybkie mignięcia	Zmiana stanu wejść	Jest to normalne kiedy następuje zmiana jednego z wejść: P.P., STOP, zadziałanie fotokomórek lub jest użyty nadajnik radiowy.
Seria mignięć oddzielonych 1 sekundową przerwą	Różne	Jest to taka sama sygnalizacja jak na migaczu Patrz Tabela N 21
Lampka STOP	Przyczyna	DZIAŁANIE
Wyłączony	Zadziałanie wejścia STOP	Sprawdzić urządzenia podłączone do wejścia STOP
Dostęp	Wszystko OK	Aktywne wejście STOP
Lampka P.P.	Przyczyna	DZIAŁANIE
Wyłączony	Wszystko OK	Wejście PP nie aktywne
Dostęp	Zadziałanie wejścia PP	Normalne, jeśli rzeczywiście jest aktywne urządzenie podłączone do wejścia PP.

Tabela N 23: lampki na przyciskach centrali

Lampka L1	Opis
Wyłączona	Podczas normalnej pracy wskazuje „Zamknięcie automatyczne” nie aktywne
Dostęp	Podczas normalnego działania wskazuje „Zamknięcie automatyczne” aktywne
Migotanie	<ul style="list-style-type: none"> • Programowanie funkcji w toku • Jeśli miga razem z L2, wskazuje że należy wykonać fazę przyswojenia urządzeń (patrz paragraf „4.3 Przyswojenie urządzeń”)
Lampka L2	Opis
Wyłączona	Podczas normalnego działania wskazuje „Zamknij Po Foto” nie aktywne
Dostęp	Podczas normalnego działania wskazuje „Zamknij Po Foto” aktywne.
Migotanie	<ul style="list-style-type: none"> • Programowanie funkcji w toku • Jeśli miga razem z L1, wskazuje że należy wykonać fazę przyswojenia urządzeń (patrz paragraf „4.3 Przyswojenie urządzeń”)
Lampka L3	Opis
Wyłączona	Podczas normalnego działania wskazuje „Zamyka zawsze” nie aktywne.
Dostęp	Podczas normalnego działania wskazuje „Zamyka zawsze” aktywne.
Migotanie	<ul style="list-style-type: none"> • Programowanie funkcji w toku • Jeśli miga razem z L4, wskazuje że należy wykonać fazę przyswojenia urządzeń (patrz paragraf „4.4 Przyswojenie długości skrzydła”)
Lampka L4	Opis
Wyłączona	Podczas normalnego działania wskazuje „Stand-By” nie aktywne
Dostęp	Podczas normalnego działania wskazuje „Stand-By” aktywny
Migotanie	<ul style="list-style-type: none"> • Programowanie funkcji w toku • Jeśli miga razem z L3, wskazuje że należy wykonać fazę przyswojenia urządzeń (patrz paragraf „4.4 Przyswojenie długości skrzydła”)
Lampka L5	Opis
Wyłączona	Podczas normalnego działania wskazuje „Ruszenie” nie aktywne
Dostęp	Podczas normalnego działania wskazuje „Ruszenie” aktywne
Migotanie	Programowanie funkcji w toku
Lampka L6	Opis
Wyłączona	Podczas normalnego działania wskazuje „Wstępne miganie” nie aktywne
Dostęp	Podczas normalnego działania wskazuje „Wstępne miganie” aktywne
Migotanie	Programowanie funkcji w toku

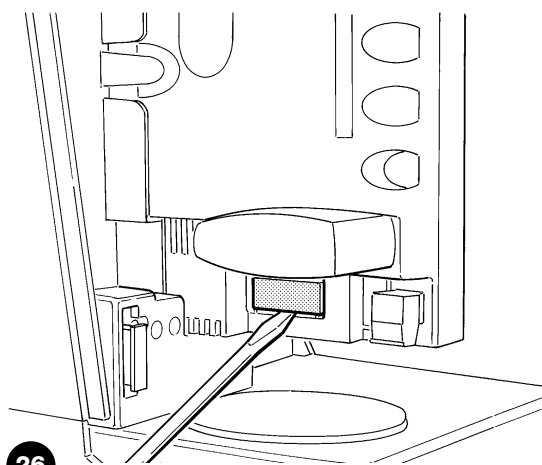
PL

7.8) Wyposażenie dodatkowe

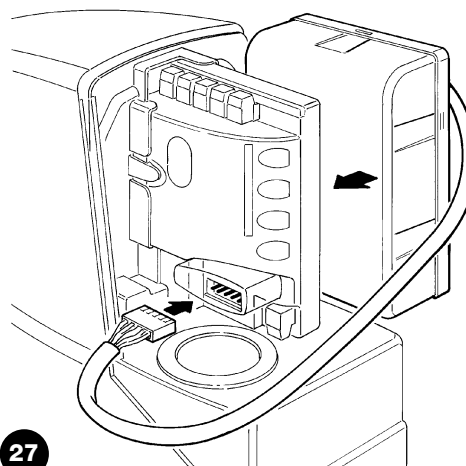
Dla ROBUS350 jest przewidziane następujące dodatkowe wyposażenie jako opcja:

- PS124 Akumulator dodatkowy 24V - 1,2Ah ze zintegrowaną ładowarką.

Patrz katalog produktów Nice S.A. – kompletny i uaktualniony wykaz wyposażenia dodatkowego



26



27

8) Charakterystyki techniczne

W celu ulepszenia swoich produktów, Nice S.A. zastrzega sobie prawo zmiany charakterystyk technicznych w jakimkolwiek momencie i bez uprzedzenia, utrzymując jednak funkcjonalność i przeznaczenie

Wszystkie charakterystyki techniczne tutaj podane odnoszą się do temperatury otoczenia 20°C (5°C).

Charakterystyki techniczne: ROBUS350	
Typologia	Elektromechaniczny silownik do ruchu automatycznego przesuwanych bram do użytku prywatnego wraz z kontrolną centralą elektroniczną.
Koło zębate	Z: 15; Moduł: 4; Skok: 12,6mm; Średnica koła podziałowego: 60mm
Maksymalny moment ruszenia	10Nm; odpowiadający możliwości poruszenia skrzydła z tarcie statycznym do 333N
Moment nominalny	6Nm; odpowiadający możliwości utrzymania w ruchu skrzydła z tarcie dynamicznym do 200N
Prędkość momentu nominalnego	0,18m/s
Prędkość bez obciążenia (centrala pozwala na zaprogramowanie 6 prędkości wynoszących około: 100, 85, 70, 55, 45, 30%)	0,34m/s
Maksymalna częstotliwość cykli prac	50 cykli /dzień (centrala ogranicza cykle do maksymalnej ilości przewidzianej w tabelach N 1 e N 2)
Maksymalny czas pracy ciągłej	10 minut (centrala ogranicza działanie ciągle do przewidzianego maksimum w tabelach N 1 e N 2)
Ograniczenia zastosowania	Generalnie ROBUS350 jest w stanie zautomatyzować bramy o ciężarze do 350Kg lub o długości do 15m, zgodnie z ograniczeniami przewidzianymi w tabelach N 1 e N 2.
Zasilanie ROBUS350	230Vac (+10% +15%) 50/60Hz.
Zasilanie ROBUS350/V1	120Vac (+10% +15%) 50/60Hz.
Maksymalna moc pobrana	250VA
Klasa izolacji	1 (musi być uziom zabezpieczający)
Zasilanie awaryjne	Z wyposażenia dodatkowego - opcja PS124
Wyjście do migacza	Dla 1 migacza LUCYB (lampa 12V, 21W)
Wyjście BLUEBUS	Jedno wyjście z obciążeniem maksymalnym 15 jednostek BlueBus
Wejście STOP	Dla kontaktów normalnie zamkniętych, normalnie otwartych lub o stałej oporności 8,2k Ω ; w auto-odczyt (jedna zmiana w porównaniu do stanu zapamiętanego powoduje polecenie „STOP”)
Wejście PP	Dla kontaktów normalnie otwartych (zamknięcie kontaktu powoduje polecenie P.P.)
Wejście ANTENA Radio	52 Ω dla przewodu typu RG58 lub podobnych
Funkcje programowalne	6 funkcji typu ON-OFF i 6 funkcji regulowanych (patrz tabele N 12 e N 14)
Funkcje w auto-przyswajaniu	Auto-przyswajanie urządzeń podłączonych do wyjścia BlueBUS. Auto-przyswajanie typu urządzenia „STOP” (kontakt NA, NC lub oporność 8,2k Ω) Auto-przyswajanie długości bramy i wyliczenie punktów zwalniania i otwarcia częściowego.
Temperatura pracy	-20°C ÷ 50°C
Użytkowanie w atmosferze szczególnie kwaśnej lub słonej albo potencjalnie wybuchowej	Nie
Stopień zabezpieczenia	IP 44
Wymiary i ciężar	330 x 195 h 277; 8Kg

Charakterystyki techniczne	odbiornik radiowy: SMXI	odbiornik radiowy: SMXIS
Typologia	Odbiornik cztero-kanalowy do sterowania radiem	
Częstotliwość	433.92MHz	
Sposób kodowania	Cyfrowy Rolling code 52 Bit, typ FLOR	Cyfrowy Rolling code 64 Bit, typ SMILO
Kompatybilność nadajników	FLOR, VERY VR; tylko grupa pojedyncza: ERGO, PLANO, PLANOTIME	SMILO
Nadajniki jakie mogą być zapamiętane	Do 256 jeśli zapamiętane w Trybie I	
Impedencja wejścia	52 Ω	
Czułość	Większa od 0.5 V	
Zasięg nadajników	Od 100 do 150m, ta odległość może ulegać zmianie w zależności od przeszkód i zakłóceń elektromagnetycznych jakie ewentualnie mogą występować, a także jest uwarunkowany pozycją anteny odbiorczej.	
Wyjścia	4 (na złączu SM)	
Temperatura pracy	-10°C ÷ 55°C	

Charakterystyki techniczne	nadajnik: FLO2R-S	nadajnik: SM2
Typologia	Nadajnik dwu-kanalowy do sterowania radiem	
Częstotliwość	433.92MHz	
Sposób kodowania	Cyfrowy Rolling code 52 Bit, typ FLOR	Cyfrowy Rolling code 64 Bit, typ SMILO
Przyciski	2	
Zasilanie	12V bateria typ 23A	
Pobór	25mA	
Trwałość baterii	1 rok, przy 10 poleceniach/dziennie o długości 1 sekunda przy temperaturze 20 C (przy niskich temperaturach spada wydajność baterii)	
Moc promieniowania	100 μ W	
Wymiary i ciężar	72 x 40 h 18mm / 30g	Średnica 48 h14mm / 18g
Stopień zabezpieczenia	IP 40 (użyty w domu lub zabezpieczonym środowisku)	
Temperatura pracy	-40°C ÷ 85°C	

Gratulujemy wyboru automatyki firmy Nice! Nice S.A. produkuje elementy do automatyzacji bram, drzwi, bram rolowanych, rolet i markiz: siłowniki, centrale sterowania, radiosterowanie, migacze, fotokomórki akcesoria. Firma Nice stosuje w swoich produktach wyłącznie surowce i obróbkę wysokiej jakości i, z powołania, poszukuje nowych rozwiązań maksymalnie ułatwiających użytkowanie tych urządzeń. Elementy te są wysokiej technicznej jakości, estetyczne i ergonomiczne: w szerokiej gamie produktów Nice wasz instalator z pewnością wybierze produkt, który najbardziej odpowiada waszym wymaganiom. Wasza automatyka nie jest jednak produktem firmy Nice, ale jest produktem zrealizowanym w wyniku analiz, obliczeń, doboru materiałów a realizacja tej instalacji powierzona jest waszemu zaufanemu instalatorowi. Każda automatyzacja jest wyjątkowa i tylko wasz instalator posiada odpowiednie doświadczenie i profesjonalizm niezbędny do wykonania urządzenia zgodnie z waszymi potrzebami, bezpieczny i niezawodny, a przede wszystkim stworzony zgodnie ze sztuką, a to oznacza że odpowiada obowiązującym przepisom. Automatyka jest wygodnym rozwiązaniem, posiada pewny system bezpieczeństwa a dzięki nielicznym zabiegom będzie wam służył przez wiele lat. Również automatyzacja jaka jest w waszym posiadaniu zapewnia poziom bezpieczeństwa żądany przez normy, jakkolwiek nie wyklucza istnienia pewnego „pozostałego zagrożenia”, to znaczy możliwości że może stwarzać niebezpieczne sytuacje, z reguły spowodowane niezajomością użytkownika lub błędem, z tego też powodu chcemy przekazać wam niektóre rady dotyczące zachowań aby uniknąć wszelkiego zagrożenia.

• **Przed użyciem** po raz pierwszy automatyzacji, kaźcie sobie wyjaśnić instalatorowi jakie mogą być pozostałe zagrożenia i skąd pochodzą, przeznaczenie kilka minut na przeczytanie instrukcji i ostrzeżeń dla użytkownika jakie przekazał wam instalator. Należy przechowywać instrukcje w celu ewentualnych późniejszych konsultacji i przekazać ją ewentualnemu następnemu użytkownikowi

• **Wasza automatyzacja jest maszyną**, która dokładnie wykonuje wasze polecenia; niewłaściwe lub nieuprawnione użycie może stać się niebezpieczne: nie sterujcie ruchem automatyzacji, jeśli w jej zasięgu znajdują się osoby, zwierzęta lub przedmioty.

• **Dzieci:** urządzenie automatyzacji gwarantuje wysoki stopień bezpieczeństwa. Zatrzymuje ruch, gdy jej system zabezpieczający odczyta obecność osób lub rzeczy i gwarantuje uaktywnienie tego systemu w sposób pewny i przewidywany. Bezpieczniej jednak jest zabronić dzieciom bawienia się w pobliżu automatyki jak również pozostawionymi bez nadzoru pilotami, aby uniknąć nieumyślnego włączenia: **nadajniki sterowania to nie zabawka!**

• **Anomalie:** Jeśli tylko zanotujecie jakiegokolwiek anormalne zachowanie systemu automatyzacji, natychmiast odłączcie zasilanie elektryczne od urządzenia i wykonajcie odblokowanie ręczne. Nie próbujcie sami wykonać

jakiegokolwiek naprawy, lecz zwróćcie się o pomoc do waszego zaufanego instalatora W międzyczasie urządzenie może działać jako otwieranie bez automatyzacji, po odblokowaniu siłownika, tak jak to wcześniej opisano.

• **Konserwacja:** Automatyka, jak każda maszyna, wymaga okresowych czynności konserwacyjnych, co gwarantuje jej bezpieczne i długoletnie funkcjonowanie. Uzgodnijcie z waszym instalatorem program okresowych przeglądów konserwacyjnych. Firma Nice zaleca, aby przeglądy wykonywać co sześć miesięcy, ale zależy to też od intensywności użytkowania. Jakiegokolwiek przegląd, związany z czynnościami konserwacyjnymi czy naprawą, musi być wykonany wyłącznie przez wykwalifikowany personel.

• Nawet jeśli uważacie że potraficie, nie zmieniajcie urządzenia i parametrów programowania oraz nie regulujcie automatyki: należy to do waszego instalatora.

• Odbiór, konserwacje okresowe i ewentualne naprawy muszą być udokumentowane przez wykonującego je a dokumentacja przechowywana przez właściciela urządzenia.

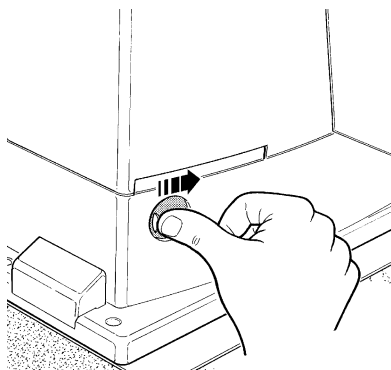
Jedynie interwencje jakie są możliwe do wykonania przez was, i które zalecamy wam przeprowadzać okresowo to czyszczenie szybki fotokomórek i usuwanie ewentualnych liści i kamieni, które mogłyby przeszkodzić przesuwowi. Aby uniemożliwić, aby ktokolwiek uruchomił bramę, przed rozpoczęciem tych prac pamiętajcie o odblokowaniu automatyzacji (tak jak wcześniej to opisano) a do czyszczenia używajcie jedynie ściereczki lekko nasączonej wodą.

• **Likwidacja:** Po zakończeniu żywota automatyzacji zapewnijcie, aby likwidacja została przeprowadzona przez wykwalifikowany personel i aby materiały zostały poddane recyklingowi lub likwidacji zgodnie z przepisami obowiązującymi na poziomie lokalnym.

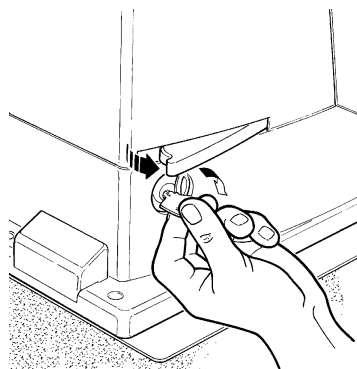
• **W przypadku uszkodzenia lub braku zasilania:** Oczekując na waszego instalatora, albo w przypadku powrotu energii elektrycznej, jeśli urządzenie nie jest wyposażone w dodatkowy akumulator, automatyzacja może być użyta jako otwieranie nie automatyczne. W tym celu należy wykonać odblokowanie ręczne (jedynie działanie dozwolone użytkownikowi): taka operacja została szczególnie przemyślana przez Nice, aby zapewnić wam maksymalną łatwość bez użycia specjalnych narzędzi lub dużego wysiłku fizycznego.

Odblokowanie i ruch ręczny: przed wykonaniem tej operacji zwrócić uwagę, że odblokowanie może być wykonane jedynie kiedy skrzydło jest nieruchome.

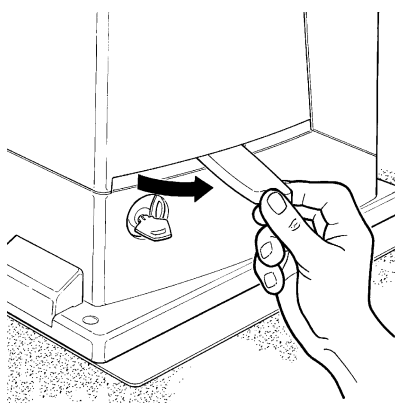
1 Przesunąć pokrywkę przykrywającą zamek



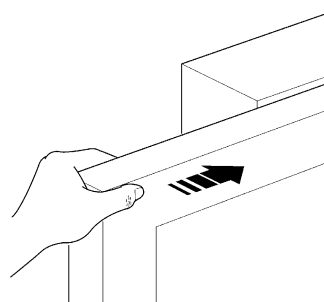
2 Włożyć i obrócić klucz w kierunku wskazówek zegara



3 Pociągnąć rączkę odblokowania



4 Przesunąć ręcznie skrzydło



Aby zablokować: wykonać w odwrotnej kolejności te same operacje

Sterowanie niepracującymi zabezpieczeniami: w przypadku kiedy urządzenia bezpieczeństwa znajdujące się na bramie nie działają w sposób właściwy można w każdym razie sterować bramą

- Uruchomić sterowanie brama (nadajnikiem radiowym, przełącznikiem na klucz itp.); jeśli wszystko jest w porządku brama będzie się otwierać i zamykać w sposób normalny, w przeciwnym wypadku migacz kilka razy błysnie i manewr nie rozpocznie się (ilość błysków zależy od przyczyny dla której manewr nie może się rozpocząć)
- W tym przypadku, w przeciągu 3 sekund należy powtórnie włączyć i trzymać włączone sterowanie.
- Po około 2 sekundach rozpocznie się ruch bramy w trybie „obecność człowieka”, to znaczy dopóki jest utrzymane sterowanie to brama się przesuwająca; po puszczeniu przycisku brama zatrzyma się.

⚠ Przy niedziałających zabezpieczeniach należy jak najprędzej naprawić automatyzację.

Wymiana baterii w zdalnym sterowaniu: jeśli wasze zdalne sterowanie od pewnego czasu, jak wam się wydaje, gorzej działa, albo w ogóle przestało działać, może to być po prostu skutkiem wyczerpania się baterii (w zależności od użycia, bateria wytrzyma od kilku miesięcy do ponad roku). Możecie potwierdzić fakt wyczerpania baterii ponieważ lampka potwierdzenia nie zapala się, albo śnieży, albo też zapala się na chwilę. Przed zwróceniem się do instalatora, spróbujcie zamienić baterie na inne, wyjęte z nadajnika działającego: jeśli to jest powodem anomalii, to wystarczy wymienić baterię na nową tego samego typu.

Baterie zawierają substancje trujące: nie wyrzucajcie ich do śmieci ale usuńcie zgodnie z aktualnymi przepisami.

Jesteście zadowoleni? W przypadku kiedy chcielibyście dodać do waszego domu nowe urządzenie automatyzacji, zwróćcie się do tego samego instalatora i do Nice, zapewnicie sobie, poza doradztwem specjalisty i produktami najbardziej rozwiniętymi, osiągalnymi na rynku, najlepsze działanie i maksymalną kompatybilność w zakresie automatyzacji.

Dziękujemy za przeczytanie niniejszych wskazówek, życzymy dużej satysfakcji z nowego urządzenia: W celu ewentualnych wyjaśnień, czy porad prosimy zwrócić się do waszego instalatora.

Robus350

Inhoudsopgave:		pag.		
1	Aanbevelingen	135	7	Verdere details 144
2	Beschrijving van het product en gebruiksbestemming	135	7.1	Programmeertoetsen 144
2.1	Gebruikslimieten	135	7.2	Programmering 144
2.2	Voorbeeld van een installatie	136	7.2.1	Functies eerste niveau (functies ON-OFF) 144
2.3	Lijst kabels	136	7.2.2	Programmering eerste niveau (functies ON-OFF) 145
3	Installatie	136	7.2.3	Functies tweede niveau (instelbare parameters) 145
3.1	Controles vooraf	137	7.2.4	Programmering tweede niveau (instelbare parameters) 146
3.2	Bevestiging van de reductiemotor	137	7.2.5	Voorbeeld van programmering eerste niveau (functies ON-OFF) 146
3.3	Installatie van de verschillende inrichtingen	138	7.2.6	Voorbeeld van programmering tweede niveau (instelbare parameters) 147
3.4	Elektrische aansluitingen	138	7.3	Bijplaatsen of weghalen van inrichtingen 147
3.5	Beschrijving van de elektrische aansluitingen	139	7.3.1	BlueBUS 147
4	Eindcontroles en start	139	7.3.2	Ingang STOP 147
4.1	Keuze van de richting	139	7.3.3	Fotocellen 148
4.2	Aansluiting op de stroomvoorziening	140	7.3.4	Herkennen van andere inrichtingen 148
4.3	Herkennen van de inrichtingen	140	7.4	Speciale functies 148
4.4	Herkennen van de vleugellengte	140	7.4.1	Functie "Open altijd" 148
4.5	Controle van de manoeuvre van de poort	140	7.4.2	Functie "Beweeg in ieder geval" 148
4.6	Vooraf ingestelde functies	140	7.5	Aansluiting van andere inrichtingen 149
4.7	Geheugenopslag van de radiozenders	141	7.6	Oplossen van problemen 149
4.7.1	Geheugenopslag modus I	141	7.7	Diagnostiek en signaleringen 149
4.7.2	Geheugenopslag modus II	141	7.7.1	Signaleringen met het knipperlicht 150
4.7.3	Geheugenopslag "op afstand"	142	7.7.2	Signaleringen op de besturingseenheid 150
4.7.4	Wissen van de radiozenders	142	7.8	Accessoires 151
4.7.5	Conformiteitsverklaring radio-ontvanger	142	8	Technische gegevens 152
5	Eindtest en inbedrijfstelling	142		Aanwijzingen en aanbevelingen bestemd voor de gebruiker van de reductiemotor ROBUS 153
5.1	Eindtest	143		
5.2	Inbedrijfstelling	143		
6	Onderhoud en afvalverwerking	143		
6.1	Onderhoud	143		
6.2	Afvalverwerking	143		

1) Aanbevelingen

Deze handleiding bevat belangrijke informatie voor de veiligheid van de installatie. Alvorens u met de installatie gaat beginnen, dient u alle in deze handleiding vervatte aanwijzingen te lezen. Bewaar deze handleiding ook voor later gebruik. Met het oog op gevaarlijke situaties die zich tijdens de installatie en het gebruik van ROBUS350 kunnen voordoen, moeten ook tijdens de installatie de wetten, voorschriften en regels volledig in acht genomen worden. In dit hoofdstuk zullen algemene aanbevelingen gegeven worden; andere belangrijke aanbevelingen vindt u in de hoofdstukken "3.1 Controles vooraf"; "5 Eindtest en inbedrijfstelling".

⚠ Volgens de meest recente Europese wetgeving valt het aanleggen van een automatische deur of poort onder wat voorzien is in de Europese Richtlijn 98/37/EG (Richtlijn Machines) en met name onder de voorschriften: EN 12445; EN 12453 en EN 12635, die een verklaring van vermoedelijke conformiteit aan de machinerichtlijnen mogelijk maken.

Verdere inlichtingen, richtlijnen ten aanzien van risico's en het samenstellen van het technisch dossier zijn beschikbaar op: "www.niceforyou.com".

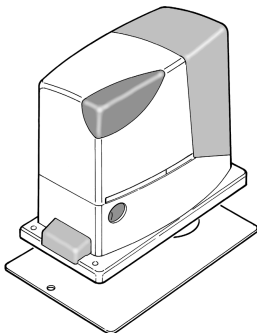
- Deze handleiding is uitsluitend bestemd voor technisch personeel dat voor de installatie gekwalificeerd is. Behalve de specifieke los te halen bijlage welke de installateur dient te verzorgen, namelijk "Aanwijzingen en aanbevelingen bestemd voor de gebruiker van de reductiemotor ROBUS", kan andere informatie die in dit dossier is vervat, niet als interessant voor de eindgebruiker worden beschouwd!
- Ieder ander gebruik van ROBUS350 dat niet voorzien is in deze aanwijzingen is verboden; oneigenlijk gebruik kan gevaar opleveren of letsel en schade aan mensen en zaken veroorzaken.
- Voordat u met de installatie begint, dient u een analyse van de risico's te maken

waarvan de lijst van essentiële veiligheidseisen zoals die in Bijlage I van de Richtlijn Machines zijn voorzien, deel uitmaakt; hierin geeft u de toegepaste oplossingen aan. Wij maken u erop attent dat de risico-analyse één van de documenten is die deel uit maken van het "technisch dossier" van de automatisering.

- Controleer of er verdere inrichtingen nodig zijn om de automatisering met ROBUS350 op basis van de specifieke toepassings situatie en aanwezige gevaren te completeren; u dient daarbij bijvoorbeeld risico's op het gebied van botsen, beknelling, scharen, etc. en andere algemene gevaren in acht te nemen.
- Breng geen wijzigingen aan onderdelen aan, indien dit niet in deze handleiding is voorzien. Dergelijke handelingen kunnen alleen maar storingen veroorzaken. NICE wijst elke aansprakelijkheid voor schade tengevolge van gewijzigde artikelen van de hand.
- Zorg ervoor dat er tijdens het installeren niets, ook geen vloeistof, in de besturingseenheid of andere open inrichting kan komen; neem eventueel contact op met het technisch servicecentrum van NICE; het gebruik van ROBUS350 in deze situaties kan een gevaarlijke situatie doen ontstaan.
- Het automatisme mag niet gebruikt worden voordat de inbedrijfsstelling heeft plaatsgevonden zoals dat in hoofdstuk: "5 Eindtest en inbedrijfstelling" is aangegeven.
- De afvalverwerking van het verpakkingsmateriaal van ROBUS350 moet geheel en al volgens de plaatselijk geldende regels plaatsvinden.
- Indien er zich een storing voordoet die u niet met behulp van de in deze handleiding vervatte informatie kunt oplossen, gelieve u contact op te nemen met de technische servicedienst van NICE.
- Wanneer er een automatische schakelaar of zekering in werking is getreden, dient u alvorens die terug te stellen, de storing op te zoeken en die te verhelpen.
- Voordat u de interne klemmetjes onder de dekplaat van ROBUS350 aanraakt dient u alle circuits van stroomtoevoer los te koppelen; indien dit niet te zien is, dient u een bord aan te brengen met de tekst: "LET OP ONDERHOUDSWERKZAAMHEDEN IN UITVOERING".

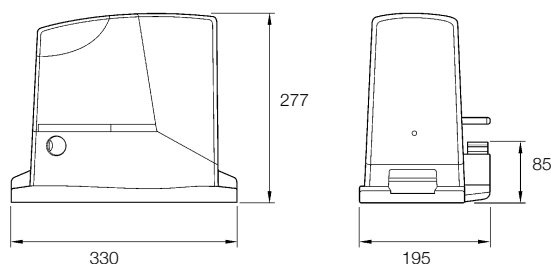
2) Beschrijving van het product en gebruiksbestemming

ROBUS350 is een elektromechanische reductiemotor voor het automatisch verplaatsen van schuifpoorten voor particulier gebruik compleet met elektronische besturingseenheid en ontvanger voor radio-instructies. De elektrische aansluitingen van de externe inrichtingen zijn veel eenvoudiger geworden dankzij het gebruik van "BlueBUS", een techniek waarmee het mogelijk is meerdere inrichtingen met slechts 2 draden te verbinden.



1

ROBUS350 werkt op elektrische energie, maar bij uitval van de stroomvoorziening via het elektriciteitsnet is het mogelijk de reductiemotor met een speciale sleutel te ontgrendelen en de poort met de hand te verplaatsen; ook kunt u het apart leverbare accessoire, de bufferbatterij PS124, gebruiken waarmee u de poort ook kunt verplaatsen als de netstroom is uitgevallen.



2.1) Gebruikslimieten

De gegevens met betrekking tot de prestaties van ROBUS350 kunt u in hoofdstuk "8 Technische gegevens" vinden en dat zijn de enige waarden waarmee het mogelijk is correct te beoordelen of die voor een bepaalde toepassing geschikt is.

Over het algemeen is ROBUS350 in staat poorten met een gewicht tot 350 kg of een lengte tot 7 m volgens wat in de tabellen 1 en 2 is voorzien, te automatiseren.

Met de vleugellengte kan het maximale aantal cycli per uur achter elkaar bepaald worden, terwijl met het gewicht het percentage van vermindering van het aantal cycli en de maximaal toelaatbare snelheid bepaald kunnen worden; als de vleugel bijvoorbeeld langer dan 5m is, zouden er 18 cycli/uur en 12 cycli achter elkaar mogelijk zijn, maar als de vleugel 270kg weegt, dient dit met 80% teruggebracht te worden: het resultaat is dus 14 cycli/uur en circa 9 cycli achter elkaar, terwijl de maximaal toelaatbare snelheid V4 is: snel.

Om oververhitting te voorkomen heeft de besturingseenheid een

begrenzer van het aantal manoeuvres die zich baseert op de belasting van de motor en de duur van de cycli, waarbij deze in werking treedt wanneer de maximale limiet overschreden wordt.

Tabel 1: limieten met betrekking tot de lengte van de vleugel

Vleugellengte meter	max. aantal cycli/uur	max. aantal opeenvolgende cycli
Tot 3	30	20
3÷5	18	12
5÷6	15	10
6÷7	12	8

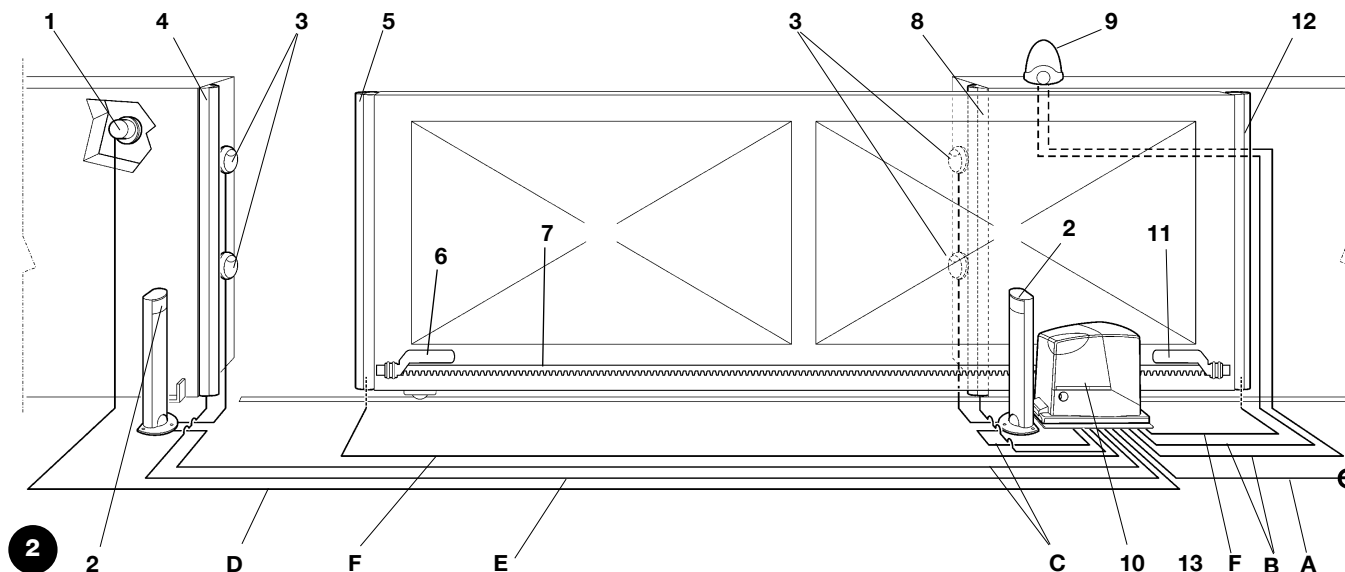
Tabel 2: limieten met betrekking tot het gewicht van de vleugel

Gewicht vleugel kg	Percentage cycli Max.	toelaatbare snelheid
Tot 200	100%	V6 = Uiterst snel
200÷250	90%	V5 = Zeer snel
250÷300	80%	V4 = Snel
300÷350	70%	V3 = Gemiddeld

NL

2.2) Voorbeeld van een installatie

Op afbeelding 2 vindt u een typische installatie van een schuifpoort met toepassing van ROBUS350.



- | | |
|--|---|
| 1 Sleutelschakelaar | 8 Secundaire vaste contactlijst (apart verkrijgbaar) |
| 2 Fotocellen op zuiltje | 9 Knipperlicht met ingebouwde antenne |
| 3 Fotocellen | 10 ROBUS350 |
| 4 Primaire vaste contactlijst (apart verkrijgbaar) | 11 Beugel eindschakelaar "Dicht" |
| 5 Primaire mobiele contactlijst | 12 Secundaire mobiele contactlijst (apart verkrijgbaar) |
| 6 Beugel eindschakelaar "Open" | 13 Radiozender |
| 7 Tandheugel | |



2.3) Lijst kabels

Op de typische installatie op afbeelding 2 worden ook de kabels aangegeven die noodzakelijk zijn voor de aansluiting van de verschillende inrichtingen; in tabel 3 worden de kenmerken van de kabels aangegeven.

⚠ De gebruikte kabels moeten geschikt zijn voor het type installatie; zo bevelen we bijvoorbeeld een kabel van het type H03VV-F aan, wanneer die binnenshuis gebruikt wordt of van het type H07RN-F wanneer ze buitenshuis gebruikt wordt.

Tabel 3: lijst kabels

Aansluiting	Type kabel	Maximaal toelaatbare lengte
A: Elektrische toevoerleiding	1 kabel 3x1,5mm ²	30m (opmerking 1)
B: Knipperlicht met antenne	1 kabel 2x0,5mm ²	20m
	1 afgeschermd kabel type RG58	20m (aanbevolen lengte minder dan 5m)
C: Fotocellen	1 kabel 2x0,5mm ²	30m (opmerking 2)
D: Sleutelschakelaar	2 kabels 2x0,5mm ² (opmerking 3)	50m
E: Vaste contactlijsten	1 kabel 2x0,5mm ² (opmerking 4)	30m
F: Mobiele contactlijsten	1 kabel 2x0,5mm ² (opmerking 4)	30m (opmerking 5)

Opmerking 1: als de voedingskabel een lengte van meer dan 30m heeft, is er een kabel met een grotere doorsnede nodig, bijvoorbeeld 3x2,5mm² en dient er aarding in de nabijheid van de automatisering plaats te vinden.

Opmerking 2: als de kabel "BLUEBUS" langer dan 30m is, maar niet langer dan 50m, is er een kabel 2x1mm² nodig.

Opmerking 3: de twee kabels 2x0,5mm² kunnen vervangen worden door één enkele kabel 4x0,5mm².

Opmerking 4: als er meer dan één lijst is, gelieve u de paragraaf "7.3.2 Ingang STOP" te raadplegen voor het soort aanbevolen aansluiting.

Opmerking 5: voor de aansluiting van de contactlijsten op deuren dient u de nodige maatregelen te nemen die ook aansluiting bij de in beweging zijnde vleugel mogelijk maken.

3) Installatie

⚠ De installatie van ROBUS350 dient door gekwalificeerd personeel uitgevoerd te worden waarbij de wetten, voorschriften en regels en wat in deze aanwijzingen staat, in acht worden genomen.

3.1) Controles vooraf

Voordat u met de installatie van ROBUS350 begint, dient u onderstaande controles uit te voeren:

- Vergewis u ervan dat al het te gebruiken materiaal in een optimale staat is en geschikt is voor gebruik en conform de voorschriften.
- Controleer of de structuur van de poort ervoor geschikt is geautomatiseerd te worden.
- Controleer of gewicht en afmetingen van de vleugel vallen binnen de gebruikslimieten zoals die vermeld zijn in het hoofdstuk "2.1 Gebruikslimieten".
- Vergewis u ervan door de waarden uit hoofdstuk "8 Technische gegevens" te vergelijken, dat de statische wrijving (dat wil zeggen de benodigde kracht om de vleugel in beweging te brengen) kleiner is dan de helft van het "Maximale koppel" en dat de dynamische wrijving (dat wil zeggen de benodigde kracht om de vleugel te laten bewegen als deze eenmaal loopt) kleiner is dan de helft van het "Nominale koppel"; het is raadzaam een marge van 50% op deze krachten aan te houden, omdat slechte weersomstandigheden de wrijving kunnen verhogen.
- Controleer of er over de gehele loop van de poort, zowel bij sluiting als opening, geen punten met een grotere wrijving zijn.
- Controleer dat er geen gevaar bestaat dat de vleugel ontspoot en uit de geleiderails loopt.
- Controleer of de mechanische stops voorbij het loopgebied van de poort sterk genoeg zijn waarbij u erop dient te letten dat er geen vervormingen ontstaan ook als de vleugel hard op de stop zou slaan.
- Controleer dat de vleugel goed in evenwicht is; dat wil zeggen de vleugel niet in beweging mag komen, wanneer de manoeuvre op een willekeurige stand onderbroken wordt.
- Controleer dat er op de plaats van bevestiging van de reductiemo-

tor geen wateroverlast is; monteer de reductiemotor eventueel hoog genoeg boven de grond.

- Controleer dat de plaats van bevestiging van de reductiemotor zodanig is dat deze gemakkelijk ontgrendeld en gemakkelijk en veilig bewogen kan worden.
- Controleer of de punten van bevestiging van de diverse inrichtingen zo gekozen zijn dat er niet tegen aan gestoten kan worden en of de bevestigingsvlakken stevig genoeg zijn.
- Zorg ervoor dat er geen enkel deel van het automatisme in water of een andere vloeistof terecht kan komen.
- Houd alle onderdelen van ROBUS350 uit de buurt van relevante warmtebronnen en open vuur. Breng ze ook niet in ruimten waar ontploffingsgevaar bestaat of die bijzonder zuur of zout zijn; dit zou schade aan ROBUS350 kunnen veroorzaken of er zouden storingen of gevaarlijke situaties kunnen ontstaan.
- Indien er in de vleugel een kleinere toegangsdeur is, dient u zich ervan te vergewissen dat deze de normale loop niet belemmert, en indien dit wel het geval is, voor een adequate blokkering te zorgen.
- Sluit de besturingseenheid op een leiding van de elektrische stroomvoorziening aan welke correct geaard is.
- De leiding van de elektrische stroomvoorziening dient door een adequate thermomagnetische en differentiaalschakelaar beveiligd te zijn.
- Op de toevoerlijn van de stroom van het elektriciteitsnet dient een inrichting te komen die de stroomtoevoer kan onderbreken (met overspanningscategorie III, d.w.z. met een minimumafstand tussen de contacten van tenminste 3,5mm) of ander gelijkwaardig systeem, zoals bijvoorbeeld een stopcontact met een stekker. Als die onderbrekingsinrichting van de stroomtoevoer zich niet in de nabijheid van de automatisering bevindt, dient er een blokkeringssysteem te zijn tegen het per ongeluk of onbevoegd inschakelen.

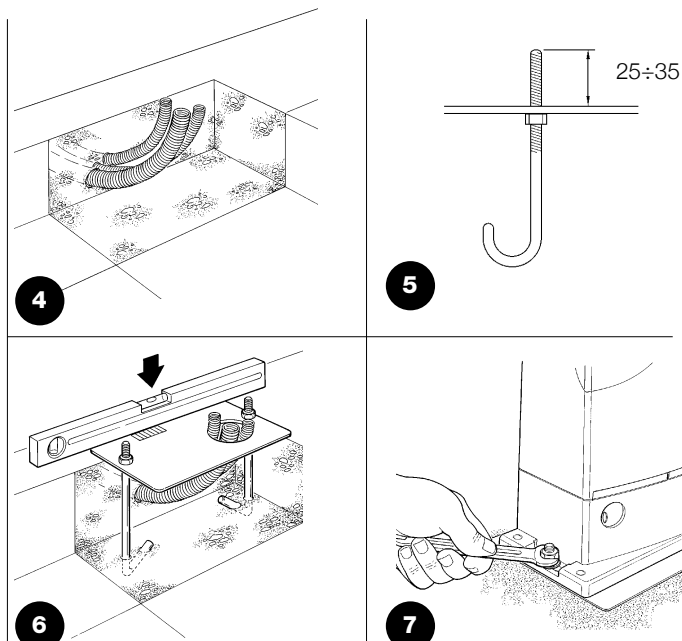
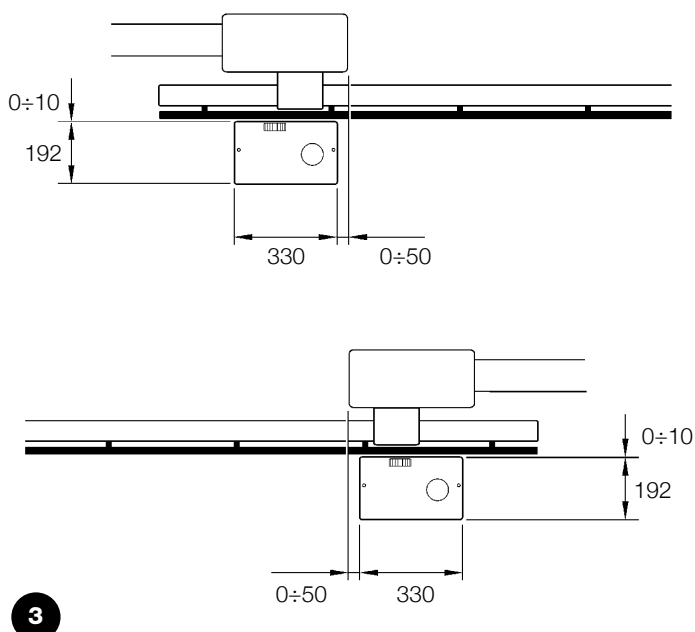
3.2) Bevestiging van de reductiemotor

Als er al een bevestigingsvlak aanwezig is, dient de reductiemotor daar rechtstreeks op te worden bevestigd met bijvoorbeeld expansiepluggen. Anders dient u voor het bevestigen van de reductiemotor als volgt te werk te gaan:

1. Maak een funderingsput met de juiste afmetingen en gebruik daarbij als aanwijzing de op afbeelding 3 aangegeven waarden.
2. Zorg voor één of meer buizen waar de elektriciteitskabels doorheen kunnen lopen zoals dat op afbeelding 4 te zien is.
3. Monteer de twee verankeringsbouten op de funderingsplaat waarbij u een moer onder en een moer boven de plaat aanbrengt; de moer onder de plaat dient aangedraaid te worden zoals u op

afbeelding 5 kunt zien, zodat het deel met schroefdraad ongeveer 25÷35mm boven de plaat uit steekt.

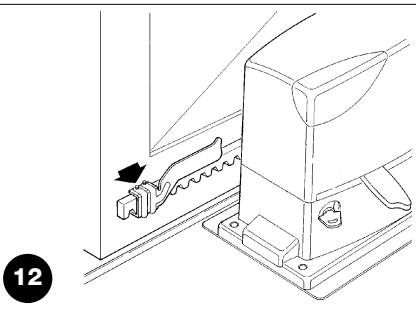
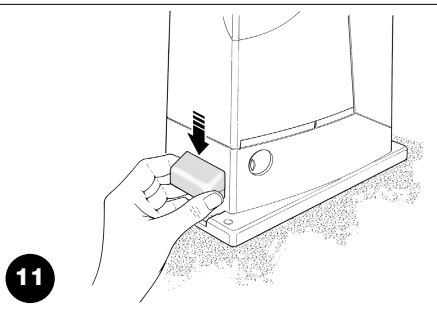
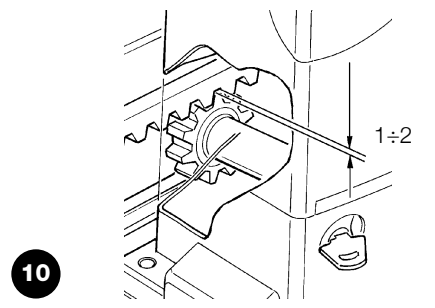
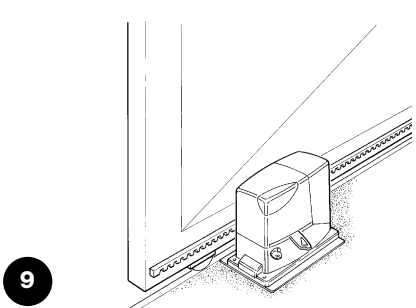
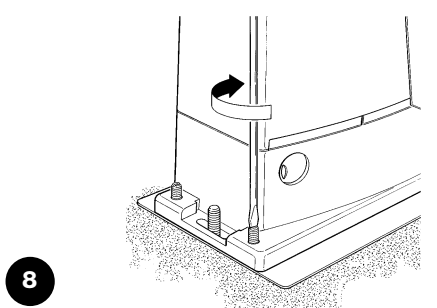
4. Stort het cement en voordat dat hard wordt, dient u de funderingsplaat volgens de op afbeelding 3 aangegeven hwaarden aan te brengen; controleer dat die geheel evenwijdig aan de vleugel loopt en waterpas is. Wacht tot het beton helemaal uitgehard is.
5. Verwijder de 2 bovenste moeren van de plaat, zet er de reductiemotor op; controleer dat die geheel evenwijdig aan de vleugel is en draai vervolgens de 2 meegeleverde moeren en borgringen lichtjes vast zoals op afbeelding 7 te zien is.



Als er reeds een tandheugel aanwezig is, dient u de stelschroeven af te stellen zoals dat op afbeelding 8 te zien is zodat het rondel van ROBUS350 zich op de juiste hoogte bevindt waarbij er een speling van 1÷2mm met de tandheugel is. Anders dient u voor het bevestigen van de tandheugel als volgt te werk te gaan:

6. Ontgrendel de reductiemotor zoals dat in de paragraaf "Ontgrendeling en handmatige manoeuvre" in het hoofdstuk "Aanwijzingen en aanbevelingen bestemd voor de gebruiker van de reductiemotor ROBUS" aangegeven is

7. Open de vleugel helemaal, laat het eerste gedeelte van de tandheugel op het rondsel rusten en controleer of het begin van de tandheugel overeenkomt met het begin van de vleugel zoals dat op afbeelding 9 te zien is. Controleer of er tussen rondsel en tandheugel een speling van 1÷2mm is, en bevestig de tandheugel vervolgens met de juiste middelen op de vleugel.



⚠ Om te voorkomen dat het gewicht van de vleugel op de reductiemotor komt te rusten is het belangrijk dat er tussen de tandheugel en het rondsel van een speling van 1÷2mm is zoals u op afbeelding 10 kunt zien.

8. Verschuif de vleugel en gebruik bij het bevestigen van de andere elementen steeds het rondsel als uitgangspunt.
9. Zaag het overgebleven deel aan het andere uiteinde van de tandheugel af.
10. Probeer nu de vleugel verschillende malen in de openings- en sluitrichting te verschuiven en controleer of de tandheugel recht over het rondsel loopt met een foutuitlijning van ten hoogste 5mm. En dat de speling van 1÷2mm tussen rondsel en tandheugel daadwerkelijk aanwezig is.

11. Draai de bevestigingsmoeren van de reductiemotor krachtig aan en verzeker u er zo van dat deze stevig vast op de grond zit; bedek de bevestigingsmoeren met de daarvoorbestemde kapjes zoals op afbeelding 11 te zien is.

12. Bevestig de beugels voor de eindaanslagen van de standen "Open" en "Dicht" met de bijbehorende stiften op de uiteinden van de tandheugel zoals u op afbeelding 12 kunt zien. Denk eraan dat wanneer de eindaanslagen in werking treden de vleugel nog 2÷3cm doorloopt; het is dus raadzaam de beugels van de eindaanslagen met een zekere marge op de mechanische stops aan te brengen.

13. Vergrendel de reductiemotor zoals in de paragraaf "Ontgrendeling en handmatige manoeuvre" in het hoofdstuk "Aanwijzingen en aanbevelingen bestemd voor de gebruiker van de reductiemotor ROBUS" aangegeven is.

3.3) Installatie van de verschillende inrichtingen

Installeer de andere inrichtingen overeenkomstig de daarop betrekking hebbende aanwijzingen. Controleer in paragraaf "3.5 Beschrijving van de elektrische aansluitingen" en op afbeelding 2 de inrichtingen die op de ROBUS350 kunnen worden aangesloten.

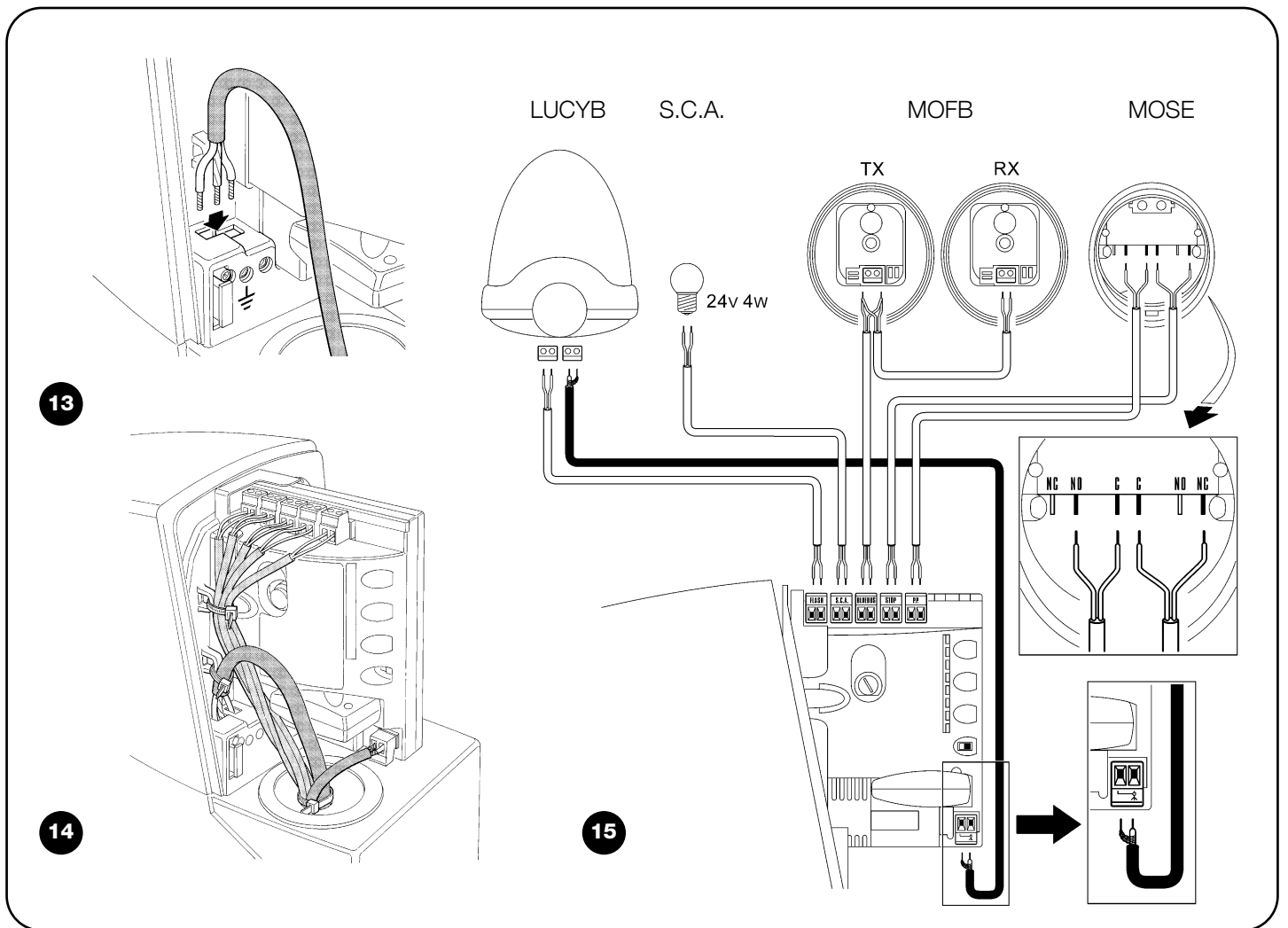
3.4) Elektrische aansluitingen

⚠ Bij het uitvoeren van elektrische aansluitingen mag de installatie absoluut niet onder spanning staan en moet een eventuele bufferbatterij losgekoppeld worden.

1. Om de beschermingsplaat te verwijderen en toegang tot de elektronische besturingseenheid van ROBUS350 te verkrijgen dient u de schroef aan de zijkant weg te halen en de plaat weg te halen door die naar boven toe weg te trekken.
2. Verwijder het rubber membraan, dat de opening waar de kabels doorheen gevoerd worden afsluit en leid alle aansluitingskabels naar de verschillende inrichtingen waarbij u deze ongeveer 20÷30cm langer laat dan noodzakelijk is. Zie tabel 3 voor het type kabels en afbeelding 2 voor de aansluitingen.
3. Bind alle kabels die de reductiemotor binnenkomen met een bandje samen en plaats dat bandje eventjes onder de boring waar

de kabels binnenkomen. Snijd in het rubber membraan een opening waarvan de diameter iets kleiner is dan die van de samengebundelde kabels en schuif het membraan over de kabels tot het bandje; zet vervolgens het membraan weer terug in de kabeldoorgang. Breng een tweede bandje net boven de membraan aan om daar de kabels bij elkaar te houden.

4. Sluit de voedingskabel op het daarvoor bestemde klemmetje aan, zoals dat op afbeelding 13 te zien is, en zet daarna de kabel met een bandje bij de eerste kabelring vast.
5. Voer de aansluiting van de andere kabels volgens het schema op afbeelding 15 uit. Voor nog meer gemak zijn de klemmetjes uitneembaar.
6. Na afloop van de aansluitingen dient u de kabels die u bij de tweede ring van de kabelhouder gebundeld hebt vast te zetten met bandjes, terwijl het resterende deel van de antennekabel aan de andere kabels met een ander bandje wordt vastgezet zoals u op afbeelding 14 kunt zien.



3.5) Beschrijving van de elektrische aansluitingen

In deze paragraaf vindt u een beknopte beschrijving van de elektrische aansluitingen; verdere informatie in paragraaf "7.3 Bijplaatsen of wegnemen van inrichtingen".

FLASH: uitgang voor één of twee knipperlichten van het type "LUCYB" of dergelijke met één enkele lamp 12V van maximaal 21W.

S.C.A.: uitgang "Controlelampje Poort Open"; het is mogelijk hierop een signaleringslamp van 24V en maximaal 4W aan te sluiten.

BLUEBUS: op dit klemmetje kunnen compatibele inrichtingen aangesloten worden; ze worden allemaal parallel aangesloten met twee draden waarover zowel de elektrische stroomvoorziening als de communicatiesignalen lopen. Verdere informatie over BlueBUS vindt u in paragraaf "7.3.1 BlueBUS".

STOP: ingang voor inrichtingen die de lopende manoeuvre kunnen blokkeren of eventueel kunnen onderbreken; door het uitvoeren van de juiste handelingen kunt u op de ingang STOP contacten van het type "Normaal Gesloten", type "Normaal Open" of inrichtingen met een constante weerstand aansluiten. Meer informatie over STOP vindt u in paragraaf "7.3.2 Ingang STOP".

P.P.: ingang voor inrichtingen die de manoeuvre in de modus Stap-voor-Stap aansturen; het is mogelijk contacten van het type "Normaal Open" aan te sluiten.

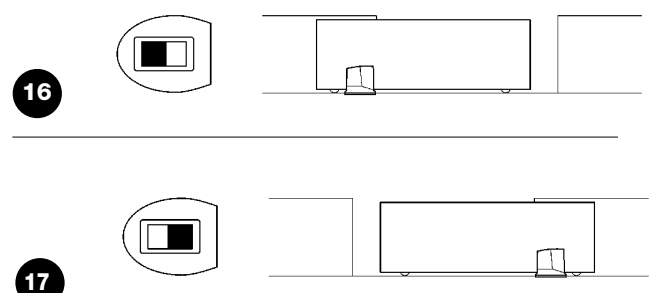
ANTENNE: ingang voor aansluiting van de antenne voor de radio-ontvanger. (De antenne is in LUCY B ingebouwd).

4) Eindcontroles en start

Alvorens met de fase van eindcontroles en de start van de automatisering te beginnen is het raadzaam de wagen los te haken en de vleugel halverwege te zetten zodat deze vrijelijk zowel open als dicht kan gaan.

4.1) Keuze van de richting

Afhankelijk van de plaats van de reductiemotor ten opzichte van de vleugel dient u de richting voor de openingsmanoeuvre te kiezen; indien de vleugel om open te gaan naar links moet bewegen, dient u de keuzeschakelaar naar links te verschuiven zoals op afbeelding 16 te zien is, als de vleugel om open te gaan naar rechts moet bewegen dient u de keuzeschakelaar naar rechts te verplaatsen zoals u op afbeelding 17 kunt zien.



4.2) Aansluiting op de stroomvoorziening

⚠ De aansluiting van de stroomvoorziening naar de ROBUS350 dient door ervaren, deskundig personeel in het bezit van de vereiste kenmerken uitgevoerd te worden onder volledige inachtneming van wetten, voorschriften en reglementen.

Zodra de ROBUS350 onder spanning staat, is het raadzaam enkele eenvoudige controles uit te voeren:

1. Controleer dat het ledlampje BlueBUS regelmatig knippert met een frequentie van één knippering per seconde.
2. Controleer of de ledlampjes op de fotocellen (zowel op TX als op RX) knipperen; het is niet van belang hoe ze knipperen want dat hangt van andere factoren af.

3. Controleer of het knipperlicht dat op de uitgang FLASH is aangesloten en het controlelampje dat op de uitgang S.C.A. is aangesloten, uit zijn

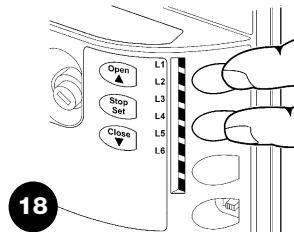
Als dit alles niet gebeurt, dient u onmiddellijk de stroomtoevoer naar de besturingseenheid af te sluiten en de elektrische aansluitingen nauwkeuriger te controleren. Meer nuttige informatie voor het opsporen van storingen vindt u in paragraaf "7.6 Oplossing van problemen".

4.3) Herkennen van de inrichtingen

Nadat de installatie van stroom is voorzien, dient de besturingseenheid de op de ingangen BlueBUS en STOP aangesloten inrichtingen te herkennen. Voor deze fase knipperen de ledlampjes L1 en

L2 om aan te geven dat de procedure voor het herkennen van de inrichtingen moet worden uitgevoerd.

1. Druk op de toetsen **[▲]** en **[Set]** en houd die ingedrukt
2. Laat de toetsen los wanneer de ledlampjes L1 en L2 heel snel beginnen te knipperen (na ongeveer 3s)
3. Wacht een paar seconden totdat de besturingseenheid gereed is met het herkennen van de inrichtingen
4. Nadat de inrichtingen herkend zijn moet het ledlampje STOP blijven branden; de ledlampjes L1 en L2 zullen uit gaan (eventueel zullen de ledlampjes L3 en L4 beginnen te knipperen)



De fase van het herkennen van aangesloten inrichtingen kan op elk gewenst moment herhaald worden ook na de installatie, bijvoorbeeld als er een inrichting toegevoegd mocht worden; voor het uitvoeren van

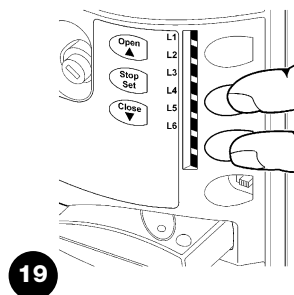
een nieuwe herkenningsprocedure gelieve u paragraaf "7.3.4 Herkennen van andere inrichtingen" te raadplegen.

4.4) Herkennen van de vleugellengte

Nadat de inrichtingen herkend zijn zullen de ledlampjes L3 en L4 beginnen te knipperen; dit betekent dat de besturingseenheid de lengte van de vleugel moet herkennen (de afstand van de eindschakelaar

sluitstand tot de eindschakelaar openingsstand); deze maat is nodig voor het berekenen van de punten van vertraging en het punt van gedeeltelijke opening.

1. Druk op de toetsen **[▼]** en **[Set]** en houd die ingedrukt
2. Laat de toetsen los wanneer de manoeuvre van start gaat (na ongeveer 3s)
3. Controleer of deze manoeuvre een openingsmanoeuvre is; zo niet druk dan op de toets **[STOP]** en controleer nog aandachtiger de paragraaf "4.1 Keuze van de richting"; herhaal dit van punt 1.
4. Wacht dat de besturingseenheid een complete openingsmanoeuvre uitvoert totdat de eindschakelaar openingsstand bereikt is; onmiddellijk daarna begint de sluitmanoeuvre.
5. Wacht dat de besturingseenheid de sluitmanoeuvre volledig uitvoert.



Indien dit niet allemaal mocht gebeuren dient u onmiddellijk de stroomvoorziening naar de besturingseenheid te onderbreken en de elektri-

sche aansluitingen nog beter te controleren. Verdere nuttige informatie vindt u in het hoofdstuk "7.6 Oplossen van problemen".

4.5) Controle van de manoeuvre van de poort

Na het herkennen van de lengte van de vleugel is het raadzaam enkele manoeuvres uit te voeren om te controleren of de poort correct beweegt.

1. Druk op de toets **[Open]** om de instructie voor de manoeuvre "Open" te geven; controleer of de openingsmanoeuvre van de poort regelmatig verloopt zonder verandering van snelheid; pas wanneer de vleugel tussen de 70 en 50cm van de eindschakelaar van de openingsstand verwijderd is, zal hij langzamer moeten gaan lopen en tot stilstand komen op 2-3cm vanaf de mechanische stop openingsstand.
2. Druk op de toets **[Close]** om de instructie voor de manoeuvre "Sluit" te geven; controleer of de sluitmanoeuvre van de poort regelmatig verloopt zonder verandering van snelheid; pas wanneer de vleugel tussen de 70 en 50cm van de eindschakelaar van de sluitstand ver-

wijderd is, zal hij langzamer moeten gaan lopen en tot stilstand komen op 2-3cm vanaf de mechanische stop sluitstand.

3. Controleer dat het knipperlicht tijdens de manoeuvres met een frequentie van 0,5s aan en 0,5s uit knippert. Indien aanwezig, dient u ook de knippering te controleren van het controlelampje dat op het klemmetje S.C.A. is aangesloten: dit knippert langzaam bij het openen, snel bij het sluiten.
4. Voer meerdere openings- en sluitmanoeuvres uit om te beoordelen of er eventuele montage- of afstellingsdefecten zijn, of andere onregelmatigheden zijn, zoals punten met een grotere wrijving.
5. Controleer dat de reductiemotor ROBUS350, de tandheugel en de beugels van de eindschakelaars solide, stevig en voldoende duurzaam bevestigd zijn, ook wanneer er zich een plotselinge snelheids-toename of -afname in de beweging van de poort voordoet.

4.6) Vooraf ingestelde functies

De besturingseenheid van ROBUS350 beschikt over enkele programmeerbare functies; in de fabriek worden deze functies in een configuratie afgesteld die voor het merendeel van de automatiseringen optimaal

is; in ieder geval kunnen de functies op elk gewenst moment via de juiste programmeringsprocedure gewijzigd worden; raadpleeg hiervoor paragraaf "7.2 Programmering".

4.7) Geheugenopslag van de radiozenders

Voor het aansturen op afstand van ROBUS350, is er op de besturingseenheid een plug-in SM voor radio-ontvangers van het type SMXI of SMXIS (zie afb. 20); elke radiozender wordt door de radio-ontvanger herkend via een "code" die bij elke andere zender anders is. Er is dus een fase van "geheugenopslag" nodig waardoor de ontvanger in staat zal zijn elke afzonderlijke zender te herkennen; de zenders kunnen op 2 manieren in het geheugen van de ontvanger opgeslagen worden:

Modus I: in deze modus is de functie van de toetsen van de zender reeds gedefinieerd en is er aan elke toets in de besturingseenheid de instructie gekoppeld zoals die in tabel 4 is weergegeven; er vindt één enkele opslagfase voor elke zender plaats waarvan alle toetsen worden opgeslagen; tijdens deze fase is het niet van belang op welke toets u drukt en wordt er slechts één plaats in het geheugen ingenomen. In modus I kan een zender gewoonlijk slechts één enkele automatisering aansturen.

Modus II: in deze modus kan elke afzonderlijke toets van een zender aan één van de 4 mogelijke instructies van de besturingseenheid zoals die in tabel 5 weergegeven zijn, gekoppeld worden; per fase wordt slechts één toets in het geheugen opgenomen en wel die waarop u tijdens de geheugenopslag drukt. In het geheugen wordt één plaats voor elke in het geheugen opgeslagen toets ingenomen. In modus II kunnen verschillende toetsen van dezelfde zender gebruikt worden om meerdere instructies aan dezelfde automatisering te geven. Zo wordt bijvoorbeeld in tabel 6 alleen de automatisering "A" aangestuurd en de toetsen T3 en T4 aan dezelfde instructie gekoppeld; of in het voorbeeld van tabel 7 waar 3 automatiseringen "A" (toetsen T1 en T2), "B" (toets T3) en "C" (toets T4) worden aangestuurd.

⚠ Omdat de procedures voor geheugenopslag een tijdlimiet van 10 s kennen, moet u eerst de aanwijzingen in de volgende paragraaf doorlezen en daarna tot uitvoering daarvan overgaan.

Tabel 4: geheugenopslag Modus I

Toets T1	Instructie "PP"
Toets T2	Instructie "Voetgangersonpening"
Toets T3	Instructie "Open"
Toets T4	Instructie "Sluit"

N.B.: de zenders met één kanaal beschikken alleen over de toets T1, de tweekanaalszenders beschikken alleen over de toetsen T1 en T2.

Tabel 5: instructies beschikbaar in Modus II

1	Instructie "P.P." (Stap-voor-Stap)
2	Instructie "Voetgangersonpening"
3	Instructie "Open"
4	Instructie "Sluit"

Tabel 6: 1ste voorbeeld van geheugenopslag in Modus II

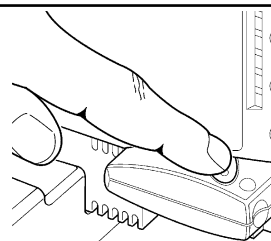
Toets T1	Instructie "Open"	Automatisering A
Toets T2	Instructie "Sluit"	Automatisering A
Toets T3	Instructie "Voetgangersonpening"	Automatisering A
Toets T4	Instructie "Voetgangersonpening"	Automatisering A

Tabel 7: 2de voorbeeld van geheugenopslag in Modus II

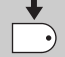
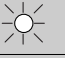


Toets T1	Instructie "Open"	Automatisering A
Toets T2	Instructie "Sluit"	Automatisering A
Toets T3	Instructie "PP"	Automatisering B
Toets T4	Instructie "PP"	Automatisering C

4.7.1) Geheugenopslag modus I

20







Tabel 8: voor het opslaan van een zender in modus I

	Voorbeeld
1. Druk op het knopje op de ontvanger en houd dit ingedrukt (gedurende circa 3s)	 3s
2. Laat het knopje weer los wanneer het ledlampje op de ontvanger gaat branden	
3. Druk binnen 10s tenminste 2s lang op een willekeurige toets van de te bewaren zender	 2s
4. Als de geheugenopslag tot een goed einde is gekomen zal het ledlampje op de besturingseenheid 3 maal gaan knipperen.	 x3

Indien er nog meer afstandbedieningen opgeslagen moeten worden, dient u nogmaals stap 3 binnen 10s uit te voeren. De opslagfase wordt beëindigd, als er binnen 10 seconden geen nieuwe codes ontvangen worden.

4.7.2) Geheugenopslag modus II

Tabel 9: voor het opslaan van een toets op een zender in modus II

	Voorbeeld
1. Druk zoveel maal op het knopje op de besturingseenheid als overeenkomt met het nummer van de gewenste instructie zoals blijkt uit tabel 5	 1...4
2. Controleer dat het ledlampje radio op de ontvanger zoveel maal knippert als het nummer van de gewenste instructie	 1...4
3. Druk binnen 10s tenminste 2s op de gewenste toets van de in het geheugen te bewaren zender	 2s
4. Als de geheugenopslag tot een goed einde is gekomen zal het ledlampje op de ontvanger 3 maal knipperen.	 x3

Indien er voor dezelfde instructie nog meer zenders opgeslagen moeten worden, dient u punt 3 binnen nog eens 10 s te herhalen. De opslagfase wordt beëindigd, als er binnen 10 seconden geen nieuwe codes ontvangen worden.

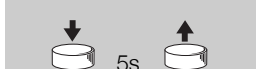


4.7.3) Geheugenopslag “op afstand”

U kunt een nieuwe radiozender in het geheugen opslaan zonder rechtstreeks op het knopje van de ontvanger te drukken. U dient dan over een functionerende afstandsbediening te beschikken, die reeds in het geheugen is opgeslagen. De nieuwe te bewaren zender “erft” de kenmerken van die welke reeds in het geheugen bewaard is. Als de eerste zender in modus I opgeslagen is, wordt dus ook de nieuwe in modus I opgeslagen en kunt u dus op een willekeurige toets van de zenders drukken. Als de reeds functionerende zender daarentegen in modus II opgeslagen is, zal ook de nieuwe in modus II worden opgeslagen en is het van belang dat u bij de eerste zender op de toets drukt welke aan de gewenste instructie gekoppeld is, en

bij de tweede zender op de toets welke u aan die instructie wilt koppelen.

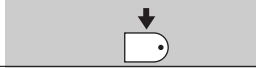


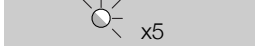
⚠ Geheugenopslag op afstand kan plaats vinden in alle ontvangers welke zich binnen het bereik van de zender bevinden; het is dus van belang dat alleen die besturings-eenheid onder spanning staat welke geprogrammeerd moet worden.

Ga met de twee zenders binnen het bereik van de automatisering staan en voer de volgende stappen uit:

Tabel 10: voor het opslaan van een zender “op afstand”		Voorbeeld
1.	Druk tenminste 5s op de toets van de nieuwe radiozender en laat hem dan weer los.	
2.	Druk 3 keer langzaam op de toets van de reeds in het geheugen bewaarde radiozender.	
3.	Druk 1 keer langzaam op de toets van de nieuwe radiozender.	

Nu zal de nieuwe radiozender door de ontvanger herkend worden en zal hij de kenmerken overnemen die de reeds in het geheugen bewaarde zender had. Indien er nog andere zenders opgeslagen moeten worden, dient u alle stappen voor elke nieuwe zender te herhalen.

4.7.4) Wissen van de radiozenders

Tabel 11: voor het wissen van alle zenders		Voorbeeld
1.	Druk op de toets radio op de ontvanger en houd die ingedrukt	
2.	Wacht dat het ledlampje gaat branden, wacht vervolgens dat het uit gaan en wacht dan dat het 3 maal knippert	
3.	Laat de toets los precies wanneer het ledlampje voor de 3de maal knippert	
4.	Als de procedure tot een goed einde is gekomen, zal het ledlampje na enige ogenblikken 5 maal knipperen	

4.7.5) Conformiteitsverklaring radio-ontvanger

Conformiteitsverklaring

N°: 151/SMXI

Rev03

Nice S.p.a., Via Pezza Alta 13, 31046 Rustignè di Oderzo (TV) Italië

NICE S.p.a. verklaart dat de radio-ontvangers modellen SMXI, SMXIS en de bijbehorende zenders FLO2R-S en SM2 conform de essentiële vereisten zijn van de Europese Richtlijn R&TTE 1999/5/CE, voor het gebruik waarvoor zij bestemd zijn.

Vervaardigd in Klasse 1, Subklasse 20

Datum: 19 maart 2004

Gedelegeerd Bestuurder
Lauro Buoro

5) Eindtest en inbedrijfstelling

Dit is de belangrijkste fase bij de aanleg van de automatisering ten einde een zo groot mogelijke veiligheid te garanderen. De eindtest kan ook als periodieke controle voor de verschillende inrichtingen van de automatisering gebruikt worden.

⚠ De eindtest van de gehele installatie moet door vakbekwaam en deskundig personeel uitgevoerd worden. Dat moet ook bepalen welke tests in functie van de bestaande risico's noodzakelijk zijn en controleren of de wettelijke voorschriften, regelgeving en regels en met name alle vereisten van norm EN 12445, die de testmethodes voor de controle van automatiseringen voor poorten bepaalt, in acht genomen zijn.

5.1) Eindtest

Voor elk afzonderlijk onderdeel van het automatisme, zoals bijvoorbeeld contactlijsten, fotocellen, noodstop, etc. is een specifieke fase in de eindtest vereist; voor deze inrichtingen zullen de procedures uit de desbetreffende handleidingen met aanwijzingen gevolgd moeten worden. Voor de eindtest van ROBUS350 dient u onderstaande reeks handelingen uit te voeren:

1. Controleer dat de voorschriften in deze handleiding en met name die vervat in hoofdstuk 1 "Aanbevelingen" nauwkeurig in acht genomen worden;
2. Ontgrendel de reductiemotor zoals dat in de paragraaf "Ontgrendeling en handmatige verplaatsing" is aangegeven in het hoofdstuk "Aanwijzingen en aanbevelingen bestemd voor de gebruiker van de reductiemotor ROBUS350"
3. Controleer of het mogelijk is de vleugel handmatig te openen en te sluiten met een kracht die niet groter is dan 390N (ongeveer 40kg).
4. Vergrendel de reductiemotor.

5. Voer met behulp van de bedienings- of uitschakelingsorganen (sleutelschakelaar, bedieningstoetsen of radiozenders), tests voor het doen sluiten, openen en stoppen van de poort uit en verifieer of de manoeuvre uitgevoerd wordt zoals dat voorzien is.
6. Controleer één voor één of alle veiligheidsinrichtingen in de installatie (focellen, contactlijsten, noodstops, etc.) goed werken en verifieer dat de poort zich zo gedraagt als dat voorzien is. Telkens wanneer een van deze inrichtingen in werking treedt, dient het ledlampje "BlueBUS" op de besturingseenheid 2 maal snel te knipperen ter bevestiging van het feit dat de besturingseenheid de gebeurtenis herkent.
7. Als gevaarlijke situaties welke door de beweging van de vleugel opgeheven zijn door middel van beperking van de stootkracht, dient u deze kracht te meten volgens de voorschriften van de norm EN 12445. Als afstelling van de "Snelheid" en de aansturing van het "Motorkracht" gebruikt worden als hulpmiddel voor het systeem om de stootkracht terug te brengen, probeer dan die instelling te vinden, welke de beste resultaten oplevert.

5.2) Inbedrijfstelling

Inbedrijfstelling kan alleen plaatsvinden nadat alle fasen van de eindtest van ROBUS350 en de andere aanwezige inrichtingen met succes zijn afgesloten. Gedeeltelijke inbedrijfstelling of inbedrijfstelling in "tijdelijke" situaties is niet toegestaan.

1. Maak een technisch dossier van de automatisering en bewaar dat tenminste 10 jaar- Dit dient tenminste te bestaan uit: de overzichtstekening van de automatisering, het elektrisch bedradings-schema, een analyse van de risico's en de toegepaste oplossing daarvoor, de conformiteitsverklaringen van alle fabrikanten voor alle gebruikte inrichtingen (gebruik voor ROBUS350 de bijgevoegde CE-Conformiteitsverklaring); kopie van de gebruiksaanwijzingen en het onderhoudsplan van de automatisering.
2. Breng een plaatje op de poort aan met daarop tenminste de volgende gegevens: type automatisering, naam en adres van de fabrikant (verantwoordelijk voor de "inbedrijfstelling"), serienummer, bouwjaar en "CE"-keurmerk.

3. Breng in de nabijheid van de poort een niet te verwijderen etiket of plaatje aan waarop de handelingen zijn aangegeven voor het ontgrendelen en handmatig bewegen van de poort .
4. Stel de conformiteitsverklaring voor de automatisering op en geef ze aan de eigenaar van de automatisering.
5. Maak de handleiding "Aanwijzingen en aanbevelingen voor het gebruik van de automatisering" en geef die aan de eigenaar van de automatisering.
6. Stel een onderhoudsplan (met daarin de voorschriften voor het onderhoud van alle inrichtingen van de automatisering) op en geef dit aan de eigenaar van de automatisering.
7. Informeer vóór de inbedrijfstelling van de automatisering de eigenaar uitvoerig en schriftelijk (bijvoorbeeld in de handleiding met aanwijzingen en aanbevelingen voor het gebruik van de automatisering) over de nog aanwezige gevaren en risico's.

6) Onderhoud en afvalverwerking

In dit hoofdstuk vindt u de benodigde informatie voor uitvoering van het onderhoudsplan en de afvalverwerking van ROBUS350.

6.1) Onderhoud

Om de veiligheid op een constant niveau te houden en een zo lang mogelijke levensduur van de gehele automatisering te waarborgen is regelmatig onderhoud vereist.

⚠ Het onderhoud moet uitgevoerd worden met volledige inachtneming van de veiligheidsvoorschriften van deze handleiding en volgens de van kracht zijnde wettelijke voorschriften en regelgeving.

Volg voor de andere inrichtingen die niet tot de ROBUS behoren de aanwijzingen van het desbetreffende onderhoudsplan daarvoor op.

1. Voor ROBUS350 is een geprogrammeerde onderhoudsbeurt vereist die op zijn minst binnen 6 maanden of 10.000 manoeuvres na de vorige onderhoudsbeurt uitgevoerd moet worden.
2. Koppel alle bronnen van elektrische stroomvoorziening los, met inbegrip van eventuele bufferbatterijen
3. Controleer alle materialen waaruit de automatisering bestaat op kwaliteitsvermindering en let daarbij met name op aantasting of roestvorming van de structurele delen; vervang die delen welke onvoldoende garantie bieden.
4. Controleer de staat van slijtage van alle bewegende delen: rondsel, tandheugel en alle delen van de vleugel; vervang de versleten onderdelen.
5. Sluit de elektrische stroomvoorziening weer aan en voer alle test en controles uit zoals die in paragraaf "5.1 Eindtest" voorzien zijn.

6.2) Afvalverwerking

ROBUS bestaat uit verschillende soorten materiaal, waarvan sommige hergebruikt kunnen worden: staal, aluminium, kunststof, elektriciteitskabels; voor andere is afvalverwerking vereist: batterijen en elektronische kaarten.

⚠ Sommige elektronische componenten evenals de batterijen zouden vervuilende stoffen kunnen bevatten. Laat ze niet in het milieu achter. Stel u op de hoogte van de recyclingsystemen of afvalverwerking en houd u daarbij aan de plaatselijk geldende voorschriften.

1. Koppel alle bronnen van elektrische stroomvoorziening voor de automatisering los, met inbegrip van eventuele bufferbatterij.
2. Demonteer alle inrichtingen en accessoires, waarbij u de procedure in omgekeerde volgorde volgt ten opzichte van die welke in hoofdstuk "3 Installatie" beschreven is
3. Verzamel voor zover mogelijk die onderdelen die hergebruikt of verwerkt kunnen of moeten worden, zoals bijvoorbeeld de metalen delen van de kunststof delen, elektronische kaarten, batterijen, etc.
4. Sorteert de diverse elektrische en recycleerbare materialen en geef deze aan bedrijven die zich met het hergebruik en de afvalverwerking daarvan bezighouden.

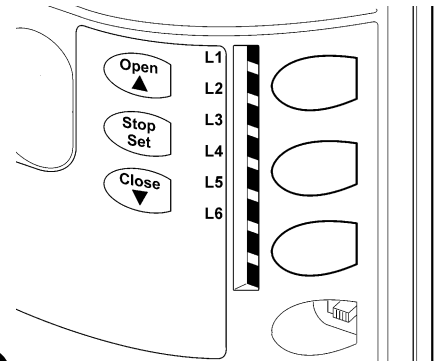
7) Verdere details

In dit hoofdstuk worden de mogelijkheden ten aanzien van programmering, aanpassing aan de persoonlijke behoeften van de gebruiker, diagnostiek en opsporing van storingen met betrekking tot ROBUS350 behandeld.

7.1) Programeertoetsen

Op de besturingseenheid van ROBUS350 bevinden zich 3 toetsen die gebruikt kunnen worden zowel om de besturingseenheid tijdens de tests aan te sturen als voor het programmeren:

Open ▲	Met de toets "OPEN" kunt u het openen van de poort aansturen of het punt van programmering naar boven verplaatsen
Stop Set	Met de toets "STOP" kunt u de manoeuvre onderbreken; als u hem langer dan 5 seconden ingedrukt houdt kunt u de programmering binnengaan
Close ▼	Close Met de toets "CLOSE" kunt u het sluiten van de poort aansturen of het punt van programmering naar beneden verplaatsen



21

7.2) Programmering

Op de besturingseenheid van ROBUS350 zijn enkele programmeerbare functies beschikbaar; instelling van deze functies vindt plaats met behulp van 3 toetsen op de besturingseenheid: [▲] [Set] [▼] en worden via 6 ledlampjes: L1...L6 zichtbaar gemaakt.

De programmeerbare functies welke op ROBUS beschikbaar zijn, zijn over 2 niveaus verdeeld:

Eerste niveau: functies instelbaar in modus ON-OFF (actief of niet actief); in dit geval geeft elk ledlampje L1...L6 een functie aan; als het aan is, is de functie actief, als het uit is, is de functie niet actief; zie tabel 12.

Tweede niveau: parameters die instelbaar zijn op een schaal met waarden van 1 tot 6; in dit geval geeft elk ledlampje L1...L6 de waarde aan die uit 8 mogelijkheden is gekozen; zie tabel 14.

7.2.1) Functies eerste niveau (functies ON-OFF)



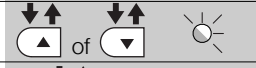
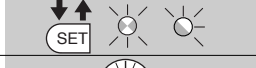

Tabel 12: lijst programmeerbare functies: eerste niveau

Led	Functie	Beschrijving
L1	Automatisch sluiten	Met deze functie is een automatische sluiting van de poort mogelijk na afloop van de geprogrammeerde pauzeduur; in de fabriek is de Pauzeduur afgesteld op 30 seconden maar dit kan gewijzigd worden in 5, 15, 30, 45, 60 of 80 seconden. Als de functie niet actief is, werkt de poort "semi-automatisch".
L2	Terugloop na Foto	Met deze functie is het mogelijk de poort zo lang open te houden als nodig is om er doorheen te gaan; door het inwerking treden van "Foto" gaat de poort automatisch weer dicht na een pauzeduur van 5s (onafhankelijk van de geprogrammeerde waarde). Dit verandert al naar gelang de functie "Automatische Sluiting" al dan niet actief is. Wanneer "Automatische Sluiting" niet actief is: De poort gaat steeds helemaal open (ook als Foto eerder vrij komt). Bij het vrijkomen van Foto gaat de poort automatisch weer dicht na een pauze van 5s. Wanneer "Automatische Sluiting" actief is: de openingsmanoeuvre wordt onmiddellijk na het vrijkomen van de fotocellen onderbroken en de poort gaat automatisch weer dicht na een pauze van 5s. De functie "Terugloop na Foto" wordt altijd uitgeschakeld wanneer een manoeuvre met een instructie Stop onderbroken is. Als de functie "Terugloop na Foto" niet actief is, zal de pauzeduur overeenkomen met de geprogrammeerde pauzeduur of er zal de poort niet automatisch dicht gaan als de functie niet actief is.
L3	Sluit altijd	De functie "Sluit altijd" treedt in werking, waarbij een sluiting veroorzaakt wordt, wanneer bij terugkeer van de stroom wordt geconstateerd dat de poort open is. Om veiligheidsredenen wordt deze manoeuvre voorafgegaan door een voorwaarschuwing van 5s. Als de functie niet actief is zal bij terugkeer van de stroom de poort blijven staan.
L4	L4 Stand-By	Met deze functie kan het verbruik zoveel mogelijk teruggebracht worden; het is nuttig met name wanneer de installatie op de bufferbatterij werkt. Als deze functie actief is zal de besturingseenheid 1 minuut na afloop van de manoeuvre de uitgang BlueBUS (en dus de inrichtingen) en alle ledlampjes uitschakelen met uitzondering van het ledlampje BlueBUS dat langzamer zal gaan knipperen. Wanneer de besturingseenheid een instructie ontvangt, zal ze de volledige functionering herstellen. Als deze functie niet actief is zal er geen vermindering van verbruik zijn.
L5	L5 Start	Door deze functie te activeren, wordt de geleidelijke toename van snelheid bij het begin van elke manoeuvre uitgeschakeld; hiermee is het mogelijk de grootste kracht aan de start te verkrijgen en dit is nuttig wanneer er een hoge statische wrijving is, bijvoorbeeld in geval van sneeuw of ijs die de vleugel blokkeren. Als de start niet actief is, begint de manoeuvre met een geleidelijke toename van de snelheid.
L6	Voorwaarschuwing	Met de functie voorwaarschuwing wordt er een pauze van 3s aangehouden tussen het moment waarop het knipperlicht gaat branden en de manoeuvre begint om van te voren voor een gevaarlijke situatie te waarschuwen. Als de voorwaarschuwing niet actief is, zal het knipperlicht aangaan tegelijk met wanneer de manoeuvre begint.

Bij normaal functioneren van ROBUS350 zijn de ledlampjes L1...L6 aan of uit op basis van de status van de functie waaraan zij gekoppeld zijn, bijvoorbeeld L1 is aan, als de functie "Automatisch sluiten" actief is.

7.2.2 Programmering eerste niveau (functies ON-OFF)

In de fabriek worden alle functies van het eerste niveau op "OFF" gezet, maar dat kan op elk gewenst moment veranderd worden zoals in tabel 13 is aangegeven. Let bij het uitvoeren van deze procedure goed op, want er is een tijdlimiet van 10s tussen het moment waarop u op de ene toets en vervolgens op de andere drukt; wanneer deze limiet overschreven wordt, zal de procedure automatisch beëindigd worden waarbij de wijzigingen die tot dat moment aangebracht zijn, in het geheugen worden opgeslagen.

Tabel 13: voor het wijzigen van de functies ON-OFF		Voorbeeld
1.	Druk op de toets [Set] en houd die ongeveer 3s ingedrukt	
2.	Laat de toets [Set] los wanneer het ledlampje L1 begint te knipperen	
3.	Druk op de toetsen [▲] of [▼] om het knipperende ledlampje te verplaatsen op het ledlampje dat de te wijzigen functie vertegenwoordigt	
4.	Druk op de toets [Set] om de status van de functie te wijzigen (kort knipperen = OFF; lang knipperen = ON)	
5.	Wacht 10s om de programmering wegens het verstrijken van de maximale tijdsduur te verlaten.	

N.B.: de punten 3 en 4 kunnen tijdens dezelfde programmeringsfase herhaald worden om andere functies op ON of OFF te zetten.

7.2.3 Functies tweede niveau (instelbare parameters)

Tabel 14: lijst programmeerbare functies: tweede niveau				
Ledlampje van ingang	Parameter	Ledlampje (niveau)	waarde	Beschrijving
L1	Pauzeduur	L1	5 seconden	Stelt de pauzeduur af, dat wil zeggen de tijd die er verstrijkt voordat de poort weer automatisch dicht gaat. Dit werkt alleen als de functie automatisch sluiten actief is.
		L2	15 seconden	
		L3	30 seconden	
		L4	45 seconden	
		L5	60 seconden	
		L6	80 seconden	
L2	Functie P.P.	L1	Open - stop - sluit- stop	Stelt de reeks instructies af die gekoppeld zijn aan de ingang P.P of aan de eerste radioinstructie (zie de tabellen 4 en 5).
		L2	Open - stop - sluit- open	
		L3	Open - sluit - open - sluit	
		L4	Woonblok	
		L5	Sluit	
		L6	Iemand aanwezig	
L3	Snelheid Motor	L1	Zeer langzaam	Stelt de snelheid van de motor af tijdens een normale manoeuvre.
		L2	Langzaam	
		L3	Gemiddeld	
		L4	Snel	
		L5	Zeer snel	
		L6	Uiterst snel	
L4	Uitgang S.C.A.	L1	Functie S.C.A.	Stelt de functie gekoppeld aan de uitgang S.C.A. af.
		L2	Aan indien vleugel gesloten is	
		L3	Aan indien vleugel open is	
		L4	Actief bij 2e radio-instructie	
		L5	Actief bij 3e radio-instructie	
		L6	Actief bij 4e radio-instructie	
L5	Motorkracht	L1	Zeer lichte poort	Stelt het controlesysteem voor de kracht van de motor af om die aan het gewicht van de poort aan te passen.
		L2	Lichte poort	
		L3	Gemiddelde poort	
		L4	Middelzware poort	
		L5	Zware poort	
		L6	Zeer zware poort	
L6	Open gedeeltelijk	L1	0,5 m	Stelt de mate van gedeeltelijke opening af. De gedeeltelijke opening kan alleen met een 2de radio-instructie worden aangestuurd (zie de tabellen 4 en 5).
		L2	1 m	
		L3	1,5 m	
		L4	2 m	
		L5	2,5 m	
		L6	3 m	

N.B.: "■" dit geeft de fabrieksinstelling weer

Alle parameters kunnen naar believen zonder enige contra-indicatie worden afgesteld; alleen het afstellen van de "Motorkracht" zou enige nadere aandacht kunnen vereisen:

- Het is ten sterkste af te raden hoge krachtwaarden te gebruiken om het feit te compenseren dat de vleugel punten met een hoge wrijvingswaarde heeft; een te grote kracht kan afbreuk doen aan de werking van het veiligheidssysteem of schade aan de vleugel toebrengen.

- Als de controle van de "motorkracht" gebruikt wordt als hulpmiddel voor het systeem de stootkracht bij botsing te beperken dient na elke afstelling de kracht opnieuw gemeten te worden, zoals de norm EN 12445 dat voorschrijft.
- Slijtage en weersinvloeden zijn van invloed op de manoeuvre van de poort; zo af en toe dient de afstelling van de kracht opnieuw gecontroleerd te worden.

7.2.4) Programmering tweede niveau (instelbare parameters)


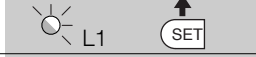




In de fabriek worden alle instelbare parametersfuncties ingesteld zoals in tabel 14 wordt aangegeven met: "■" maar die kunnen op elk gewenst moment worden gewijzigd zoals in tabel 15 is aangegeven. Let bij het uitvoeren van deze procedure goed op, want er is een tijdlimiet van 10s tussen het moment waarop u op de ene toets en vervolgens op de andere drukt; wanneer deze limiet overschreven wordt zal de procedure automatisch beëindigd worden waarbij de wijzigingen dit tot dat moment aangebracht zijn, in het geheugen worden opgeslagen.

Tabel 15: voor het wijzigen van de instelbare parameters		Voorbeeld
1.	Druk op de toets [Set] en houd die ongeveer 3s ingedrukt	
2.	Laat de toets [Set] los wanneer het ledlampje L1 begint te knipperen	
3.	Druk op de toetsen [▲] of [▼] om het knipperende ledlampje te verplaatsen op het "ledlampje ingang" dat de te wijzigen parameter vertegenwoordigt	
4.	Druk op de toets [Set] en houd die ingedrukt; de toets [Set] dient tijdens de stappen 5 en 6 voortdurend ingedrukt te blijven	
5.	Wacht ongeveer 3s waarna dat ledlampje zal gaan branden dat het actuele niveau van de te wijzigen parameter vertegenwoordigt	
6.	Druk op de toetsen [▲] of [▼] om het ledlampje dat de waarde van de parameter vertegenwoordigt, te verplaatsen.	
7.	Laat de toets [Set] los	
8.	Wacht 10s om de programmering wegens het verstrijken van de maximale tijdsduur te verlaten.	

N.B.: de punten 3 tot 7 kunnen tijdens dezelfde programmeringsfase herhaald worden om nog meer parameters in te stellen.

7.2.5) Voorbeeld van programmering van het eerste niveau (functies ON-OFF)


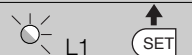







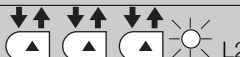


Als voorbeeld wordt de reeks handelingen gegeven die noodzakelijk is voor het wijzigen van de fabrieksinstelling van de functies voor het activeren van de functies "Automatisch Sluiten" (L1) en "Sluit altijd" (L3).

Tabel 16: voorbeeld van programmering eerste niveau		Voorbeeld
1.	Druk op de toets [Set] en houd die ongeveer 3s ingedrukt	
2.	Laat de toets [Set] los wanneer het ledlampje L1 begint te knipperen	
3.	Druk één maal op toets [Set] om de status van de aan L1 gekoppelde functie (Automatische Sluiting) te wijzigen; nu zal het ledlampje L1 met lange knipperingen gaan knipperen	
4.	Druk 2 maal op toets [▼] om het knipperende ledlampje op het ledlampje L3 te verplaatsen	
5.	Druk één maal op de toets [Set] om de status van de aan L3 gekoppelde functie (Sluit altijd) te wijzigen; nu zal het ledlampje L3 met lange knipperingen gaan knipperen	
6.	Wacht 10s om de programmering wegens het verstrijken van de maximale tijdsduur te verlaten	

Na deze handelingen moeten de ledlampjes L1 en L3 blijven branden om aan te geven dat de functies "Automatisch Sluiten" en "Sluit altijd" actief zijn.

7.2.6) Voorbeeld van programmering tweede niveau (instelbare parameters)

Als voorbeeld geven wij de reeks handelingen die nodig is om de fabrieksinstelling van de parameters te wijzigen en de en de "Pauzeduur" op 60s (ingang op L1 en niveau op L5) te verlengen "Motorkracht" voor lichte poorten te verminderen (ingang op L5 en niveau op L2).

Tabel 17: voorbeeld van programmering tweede niveau	Voorbeeld
1. Druk op de toets [Set] en houd die ongeveer 3s ingedrukt	
2. Laat de toets [Set] los wanneer het ledlampje L1 begint te knipperen	
3. Druk op de toets [Set] en houd die ingedrukt; de toets [Set] dient tijdens de stappen 4 en 5 ingedrukt te blijven	
4. Wacht ongeveer 3s tot het ledlampje L3 gaat branden dat het actuele niveau van de "Pauzeduur" vertegenwoordigt	
5. Druk 2 maal op de toets [▼] om het brandende ledlampje naar L5 te verplaatsen dat de nieuwe waarde van de "Pauzeduur" vertegenwoordigt	
6. Laat de toets [Set] los	
7. Druk 4 maal op de toets [▼] om het knipperende ledlampje naar het ledlampje L5 te verplaatsen	
8. Druk op de toets [Set] en houd die ingedrukt; de toets [Set] dient tijdens de stappen 9 en 10 ingedrukt te blijven	
9. Wacht ongeveer 3s tot het ledlampje L5 gaat branden dat het actuele niveau van de "Motorkracht" vertegenwoordigt.	
10. Druk 3 maal op de toets [▲] om het brandende ledlampje naar het ledlampje L2 te verplaatsen dat de nieuwe waarde van de "Motorkracht" vertegenwoordigt	
11. Laat de toets [Set] los	
12. Wacht 10s om de programmering wegens het verstrijken van de maximale tijdsduur te verlaten	

7.3) Bijplaatsen of wegnemen van inrichtingen

U kunt op elk gewenst moment een inrichting aan een automatisering met ROBUS350 toevoegen of er een uit verwijderen. Met name op "BlueBUS" en de ingang "STOP" kunnen verschillende soorten

inrichtingen worden aangesloten zoals dat in de paragrafen "7.3.1 BlueBUS" en "7.3.2 Ingang STOP" aangegeven is.

7.3.1) BlueBUS

BlueBUS is een techniek waarbij het mogelijk is alle compatibele inrichtingen slechts met twee draden aan te sluiten waarover zowel de elektrische stroom als de communicatiesignalen lopen. Alle inrichtingen worden parallel aangesloten op dezelfde 2 draden van BlueBUS en zonder dat daarbij de polariteit in acht genomen moet worden; elke inrichting wordt afzonderlijk herkend omdat haar tijdens de installering een eenduidig adres wordt toegekend. Op BlueBUS kunnen bijvoorbeeld fotocellen, veiligheidsinrichtingen, bedienings-toetsen, signaleringslampjes etc aangesloten worden.

De besturingseenheid van ROBUS350 herkent alle aangesloten inrichtingen één voor één via een adequate herkenningprocedure en is in staat om met de grootst mogelijke zekerheid alle eventuele anomalieën te detecteren.

Om deze reden is het telkens wanneer er een op BlueBUS aangesloten inrichting toegevoegd of verwijderd wordt, noodzakelijk de herkenningprocedure in de besturingseenheid uit te voeren zoals dat in paragraaf "7.2.4 Herkennen van andere inrichtingen" beschreven is.

7.3.2) Ingang STOP

STOP is de ingang die onmiddellijke onderbreking de manoeuvre veroorzaakt (met een kortstondige omkering). Op deze ingang kunnen de inrichtingen met uitgang met normaal open contacten "NA" aangesloten worden, maar ook inrichtingen met normaal gesloten contacten "NC" of inrichtingen met een uitgang met constante weerstand 8,2k Ω , zoals bijvoorbeeld de contactlijsten

Zoals voor BlueBUS, herkent de besturingseenheid het soort inrichting dat tijdens de herkenningfase op de ingang STOP is aangesloten (zie paragraaf "7.2.4 Herkennen van andere inrichtingen"); daarna wordt er een STOP veroorzaakt indien er zich een wijziging ten opzichte van de herkende staat voordoet.

Door het uitvoeren van de juiste handelingen kunt u op de STOP-ingang meer dan één inrichting aansluiten, ook al zijn die niet van het hetzelfde type:

- Er kunnen meerdere NO inrichtingen parallel op elkaar aangesloten worden zonder beperking van het aantal daarvan.
- Er kunnen meerdere NC inrichtingen serieel op elkaar aangesloten worden zonder beperking van het aantal daarvan

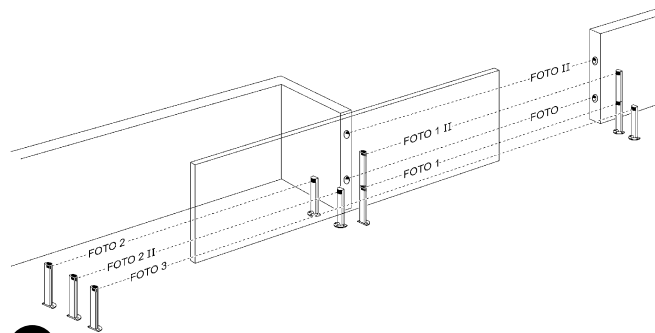
- Er kunnen twee inrichtingen met een uitgang met constante weerstand 8,2k Ω parallel geschakeld worden; als er meer dan 2 inrichtingen zijn via een „cascadeschakeling“ op één enkele eindweerstand van 8,2k Ω aangesloten worden.
- Een combinatie NA en NC is mogelijk door de 2 contacten parallel te schakelen en met contact NC serieel een weerstand van 8,2k Ω te verbinden (en dus is ook de combinatie van de 3 inrichtingen mogelijk: NA, NC en 8,2k Ω).

⚠ Indien de ingang STOP gebruikt wordt om inrichtingen met een veiligheidsfunctie aan te sluiten, garanderen alleen die inrichtingen welke een uitgang met een constante weerstand van 8,2k Ω hebben, de veiligheidscategorie 3 tegen storingen volgens de norm EN 954-1.

7.3.3) Fotocellen

Het systeem "BlueBUS" biedt de mogelijkheid de besturingseenheid via adressering met speciale jumpers de fotocellen te laten herkennen en de correcte detectiefunctie toe te kennen. Adressering dient zowel op TX als op RX uitgevoerd te worden (waarbij de jumpers op dezelfde manier geplaatst moeten worden); hierbij dient u na te gaan of er geen andere stellen fotocellen met hetzelfde adres bestaan. In een automatische voor schuifpoorten met ROBUS350 is het mogelijk de fotocellen te installeren zoals dat op afbeelding 22 is aangegeven.

Na het installeren of verwijderen van fotocellen dient er een herkenningprocedure in de besturingseenheid uitgevoerd te worden zoals dat in paragraaf "7.3.4 Herkennen van andere inrichtingen" beschreven is.



22

Tabel 18: adressen van de fotocellen

Fotocel	Jumpers	Fotocel	Jumpers
FOTO Fotocel buitenzijde h = 50 die bij het sluiten in werking treedt		FOTO 2 Fotocel buitenzijde die bij het openen in werking treedt	
FOTO II Fotocel buitenzijde h = 100 die bij het sluiten in werking treedt		FOTO 2 II Fotocel binnenzijde die bij het openen in werking treedt	
FOTO 1 Fotocel binnenzijde h = 50 die bij het sluiten in werking treedt		FOTO 3 Eén enkele fotocel die het gehele automatische dekt	
FOTO 1 II Fotocel binnenzijde h = 100 die bij het sluiten in werking treedt		<p>⚠ Installatie van FOTO 3 samen met FOTO II vereist dat de plaats van de elementen waaruit de fotocel bestaat (TX - RX) zodanig is als in de handleiding met aanwijzingen voor de fotocellen aangegeven is.</p>	

7.3.4) Herkennen van andere inrichtingen

Normaal gesproken vindt de herkenningprocedure van de op BlueBUS en de ingang STOP aangesloten inrichtingen tijdens de installatiefase plaats; als er echter inrichtingen worden bijgeplaatst of verwijderd is het mogelijk de herkenningfase opnieuw op onderstaande manier uit te voeren.

Tabel 19: voor het herkennen van andere inrichtingen

	Voorbeeld
1. Druk op de toetsen [▲] en [Set]	
2. Laat de toetsen los wanneer de ledlampjes L1 en L2 zeer snel beginnen te knipperen (na ongeveer 3s)	
3. Wacht enkele seconden totdat de besturingseenheid het herkennen van de inrichtingen beëindigd heeft	
4. Na afloop van de herkenningprocedure zullen de ledlampjes L1 en L2 ophouden te knipperen, terwijl het ledlampje STOP moeten blijven branden en de ledlampjes L1...L6 zullen gaan branden op basis van de status van de functies ON-OFF die zij vertegenwoordigen.	

⚠ Nadat er inrichtingen bijgeplaatst of verwijderd zijn is het noodzakelijk opnieuw de eindtest van de automatisering uit te voeren en wel volgens wat er in in paragraaf "5.1 Eindtest" aangegeven is.

7.4) Speciale functies

7.4.1) Functie "Open altijd"

De functie "Open Altijd" is een eigenschap van de besturingseenheid waardoor het mogelijk is altijd een openingsmanoeuvre aan te sturen wanneer de instructie "Stap-voor-Stap" langer dan 2 seconden duurt; dit is met name nuttig bij het aansluiten van het contact van

een tijdschakelklok op het klemmetje P.P. om de poort tijdens een bepaald tijdsbestek open te houden. Deze eigenschap is geldig ongeacht de programmering van de ingang PP, met uitzondering van de programmering als "Sluit", zie parameter "Functie PP" in tabel 14.

7.4.2) Functie "Beweeg in ieder geval"

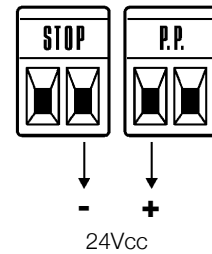
Mocht de een of andere veiligheidsinrichting niet correct werken of buiten gebruik zijn, dan is het toch mogelijk de poort in de modus "Iemand aanwezig".

Zie voor de details de paragraaf "Bediening terwijl de veiligheidsinrichtingen buiten gebruik zijn" in de bijlage "Aanwijzingen en aanbevelingen bestemd voor de gebruiker van de reductiemotor ROBUS".

7.5) Aansluiting van andere inrichtingen

Mocht het nodig zijn externe inrichtingen zoals bijvoorbeeld een lezer voor transponderkaarten of het lampje van de verlichting van de sleutelschakelaar van stroom te voorzien, dan kunt u de stroom aansluiten zoals op afbeelding 23 te zien is.

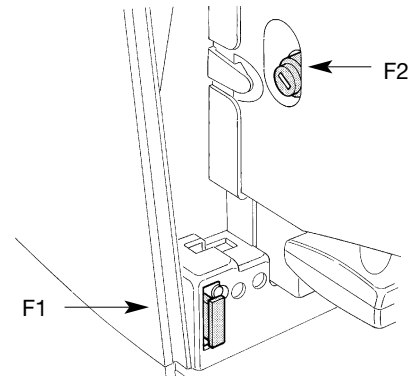
De spanning van de stroomtoevoer is 24Vcc -30% ÷ +50% met maximale beschikbare stroom van 100mA.



23

7.6) Oplossen van problemen

In tabel 20 kunt u nuttige aanwijzingen vinden om eventuele storingen te verhelpen die u tijdens de installatie of bij een eventueel defect tegen kunt komen.



24

Tabel 20: opsporen van storingen

Symptomen	Aanbevolen controles
De radiozender stuurt de poort niet aan en het ledlampje op de zender gaat niet branden.	Controleer of de batterijen van de zender leeg zijn; vervang ze zo nodig.
De radiozender stuurt de poort niet aan, maar het ledlampje op de zender gaat branden.	Controleer of de zender correct in het geheugen van de radio-ontvanger is opgeslagen.
Er wordt geen enkele manoeuvre aangestuurd en het ledlampje "BlueBUS" knippert niet.	Controleer of de stroomvoorziening naar de ROBUS350 de spanning van het elektriciteitsnet 230V heeft. Vergewis u ervan dat de zekeringen niet onderbroken zijn; zo ja, dan dient u de oorzaak van de storing op te sporen en ze met andere met dezelfde stroomwaarde en kenmerken te vervangen.
Er wordt geen enkele manoeuvre aangestuurd en het knipperlicht is uit.	Controleer of de instructie daadwerkelijk ontvangen is. Als de instructie de ingang PP bereikt, moet het ledlampje "PP" gaan branden; als daarentegen de radiozender gebruikt wordt, moet het ledlampje "BluBus" tweemaal snel knipperen.
Er wordt geen enkele manoeuvre aangestuurd en het knipperlicht knippert enkele malen.	Tel het aantal malen dat dat licht knippert en controleer aan de hand van de gegevens in tabel 21.
De manoeuvre gaat van start, maar onmiddellijk daarna vindt er een terugloop plaats.	De geselecteerde kracht zou te klein kunnen zijn om dit type poort te laten bewegen. Controleer of er geen obstakels zijn en selecteer eventueel een grotere kracht.
De manoeuvre wordt regelmatig uitgevoerd maar het knipperlicht SCA werkt niet.	Controleer of er tijdens de manoeuvre spanning op het klemmetje FLASH van het knipperlicht staat (daar het niet onderbroken werkt, is de waarde van de spanning niet beduidend: ongeveer 10-30Vcc); als er spanning aanwezig is, is het probleem te wijten aan de lamp die vervangen zal moeten worden met een lamp met dezelfde kenmerken; als er geen spanning aanwezig is, zou er zich een overbelasting op de uitgang FLASH voorgedaan kunnen hebben; verifieer of er geen kortsluiting in de kabel is.
De manoeuvre wordt regelmatig uitgevoerd maar het controlelampje SCA werkt niet.	Verifieer het type functie dat voor de uitgang SCA geprogrammeerd is (Tabel 14) Wanneer het controlelampje zou moeten hebben branden dient u te controleren of er spanning staat op het klemmetje SCA (ongeveer 24Vcc); als er spanning aanwezig is, is het probleem te wijten aan het controlelampje dat vervangen zal moeten worden met een controlelampje met dezelfde kenmerken; als er geen spanning aanwezig is, zou er zich een overbelasting op de uitgang SCA voorgedaan kunnen hebben; verifieer of er geen kortsluiting in de kabel is.

7.7) Diagnostiek en signaleringen

Sommige inrichtingen geven zelf al speciale signaleringen waardoor het mogelijk is de bedrijfsstatus of eventuele storing te herkennen.

NL

7.7.1) Signaleringen met het knipperlicht

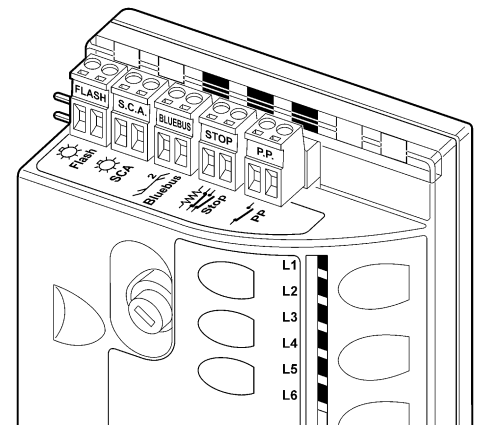
Het knipperend signaleringslicht FLASH zal tijdens de manoeuvre één maal per seconde knipperen; wanneer er een storing is, zal het korte knipperingen geven; deze knipperingen worden twee maal herhaald met daartussen een pauze van een seconde.

Tabel 21: signaleringen op het knipperlicht FLASH

Snelle knipperingen	Oorzaak	HANDELING
1 knippering pauze van 1 seconde 1 knippering	Fout op de BlueBUS	Bij het begin van de manoeuvre komt de controle van de op BlueBus aangesloten inrichtingen niet overeen met die welke tijdens de herkenningsfase in het geheugen zijn opgeslagen. Het is mogelijk dat er inrichtingen defect zijn; controleer en vervang ze; als er wijzigingen zijn aangebracht dient u de herkenningsprocedure opnieuw uit te voeren.
2 knipperingen pauze van 1 seconde 2 knipperingen	Inwerkingtreding van een fotocel	Bij het begin van de manoeuvre geven één of meer fotocellen geen toestemming tot de manoeuvre, controleer of er obstakels zijn. Dit is normaal tijdens de manoeuvre als er daadwerkelijk een obstakel is.
3 knipperingen pauze van 1 seconde 3 knipperingen	Inwerkingtreding van de begrenzer van de "Motorcracht"	Tijdens de manoeuvre heeft de poort meer wrijving ondervonden; controleer de oorzaak.
4 knipperingen pauze van 1 seconde 4 knipperingen	Inwerkingtreding van de ingang STOP	Bij het begin van de manoeuvre of tijdens de manoeuvre is de ingang di STOP in werking getreden; controleer de oorzaak.
5 knipperingen pauze van 1 seconde 5 knipperingen	Fout in de interne parameters van de elektronische besturingseenheid	Wacht tenminste 30 seconden en probeer dan opnieuw een instructie te geven; als er geen verandering in de status optreedt, zou er een ernstig defect kunnen zijn en dient de elektronische kaart vervangen te worden
6 knipperingen pauze van 1 seconde 6 knipperingen	De maximumlimiet voor het aantal manoeuvres per uur is overschreden.	Wacht enkele minuten dat de begrenzer van het aantal manoeuvres weer onder de maximumlimiet komt.
7 knipperingen pauze van 1 seconde 7 knipperingen	Fout in de interne elektrische circuits	Koppel alle circuits enige seconden van de stroomtoevoer los; probeer daarna een instructie te geven; als er geen verandering in de status optreedt, zou er een ernstig defect op de kaart kunnen zijn of in de bekabeling van de motor. Controleer en vervang eventueel.

7.7.2) Signaleringen op de besturingseenheid

Op de besturingseenheid van ROBUS350 bevinden zich een reeks ledlampjes die elk bepaalde signaleringen kunnen geven, zowel wanneer alles normaal functioneert als bij storingen.



Tabel 22: ledlampjes op de klemmetjes van de besturingseenheid

Led BLUEBUS	Oorzaak	HANDELING
Uit	Anomalie	Controleer of er stroom is; controleer of de zekeringen niet in werking getreden zijn; is dat het geval, controleer dan de oorzaak van de storing en vervang de zekeringen vervolgens met andere met dezelfde waarde.
Aan	Ernstige storing	Er is een ernstige storing opgetreden; probeer de besturingseenheid enkele seconden uit te zetten; als deze status niet verandert, is er een defect en dient de elektronische kaart vervangen te worden.
Eén knippering per seconde	Alles OK	Besturingseenheid werkt normaal
2 snelle knipperingen	Er is een wijziging opgetreden in de status van de ingangen.	Dit is normaal wanneer er een wijziging optreedt op één van de ingangen: P.P., STOP, of wanneer de fotocellen in werking treden of de radiozender gebruikt wordt.
Serie knipperingen met daartussen een pauze van een seconde	Verschillende	Dit is dezelfde signalering als die op het knipperlicht. Zie tabel 21
Led STOP	Oorzaak	HANDELING
Uit	Inwerkingtreding van de ingang STOP	Controleer de op de ingang STOP aangesloten inrichtingen
Aan	Alles OK	Ingang STOP actief
Led P.P.	Oorzaak	HANDELING
Uit	Alles OK	Ingang PP niet actief
Aan	Inwerkingtreding van de ingang PP	Dit is normaal wanneer de op de ingang PP aangesloten inrichting daadwerkelijk actief is

Tabel 23: ledlampjes op de toetsen van de besturingseenheid

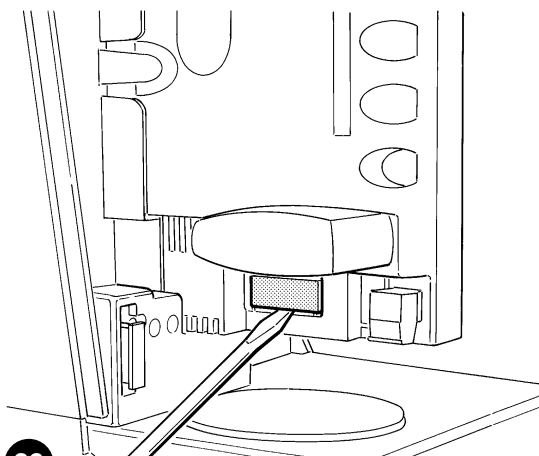
Led 1	Beschrijving
Uit	Bij normaal functioneren geeft dit aan dat "Automatisch sluiten" niet actief is
Aan	Bij normaal functioneren geeft dit aan dat "Automatisch sluiten" actief is
Knippert	<ul style="list-style-type: none"> • Programmering van de functies in uitvoering • Indien dit samen met L2 brandt, wil dit zeggen dat het noodzakelijk is de procedure voor het herkennen van de inrichtingen uit te voeren (zie paragraaf "4.3 Herkenning inrichtingen").
Led L2	Beschrijving
Uit	Uit Bij normaal functioneren geeft dit aan dat "Terugloop na Foto" niet actief is.
Aan	Aan Bij normaal functioneren geeft dit aan dat "Terugloop na Foto" actief is.
Knippert	<ul style="list-style-type: none"> • Programmering van de functies in uitvoering • Indien dit samen met L1 brandt, wil dit zeggen dat het noodzakelijk is de procedure voor het herkennen van de inrichtingen uit te voeren (zie paragraaf "4.3 Herkenning inrichtingen").
Led L3	Beschrijving
Uit	Bij normaal functioneren geeft dit aan dat "Sluit altijd" niet actief is.
Aan	Bij normaal functioneren geeft dit aan dat "Sluit altijd" actief is.
Knippert	<ul style="list-style-type: none"> • Programmering van de functies in uitvoering • Indien dit samen met L4 brandt, wil dit zeggen dat het noodzakelijk is de procedure voor het herkennen van de vleugellengte uit te voeren (zie paragraaf "4.4 Herkenning vleugellengte").
Led L4	Beschrijving
Uit	Bij normaal functioneren geeft dit aan dat "Stand-By" niet actief is.
Aan	Bij normaal functioneren geeft dit aan dat "Stand-By" actief is
Knippert	<ul style="list-style-type: none"> • Programmering van de functies in uitvoering • Indien dit samen met L3 brandt, wil dit zeggen dat het noodzakelijk is de procedure voor het herkennen van de vleugellengte uit te voeren (zie paragraaf "4.4 Herkenning vleugellengte").
Led L5	Beschrijving
Uit	Bij normaal functioneren geeft dit aan dat "Start" niet actief is.
Aan	Bij normaal functioneren geeft dit aan dat "Start" actief is.
Knippert	Programmering van de functies in uitvoering.
Led L6	Beschrijving
Uit	Bij normaal functioneren geeft dit aan dat "Voorwaarschuwing" niet actief is.
Aan	Bij normaal functioneren geeft dit aan dat "Voorwaarschuwing" actief is.
Knippert	Programmering van de functies in uitvoering.

7.8) Accessoires

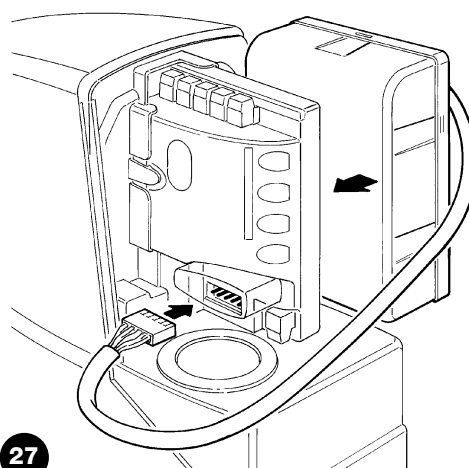
Voor ROBUS350 zijn de volgende apart te bestellen accessoires voorzien:

- PS124 Bufferbatterij 24V - 1,2Ah geïntegreerde batterij-oplader.

Raadpleeg de productencatalogus van Nice S.p.a. voor de volledige en bijgewerkte lijst accessoires.



26



27

8) Technische gegevens

Teneinde haar producten steeds meer te vervolmaken behoudt NICE S.p.a. zich het recht voor op elk gewenst moment en zonder voorbericht wijzigingen in haar producten aan te brengen, waarbij functionaliteit en gebruiksbestemming echter gehandhaafd blijven. Alle technische gegevens hebben betrekking op een omgevingstemperatuur van 20°C (±5°C).

Technische gegevens: ROBUS350	
Typologie	Elektromechanische reductiemotor voor het automatische verplaatsen van schuifpoorten voor particulier gebruik inclusief met elektronische besturingseenheid
Rondsel	Z: 15; Module: 4; Steek: 12,6mm; Flankdiameter: 60mm
Maximumkoppel bij de start	10Nm; overeenkomende met de capaciteit een dusdanige kracht te ontwikkelen dat de vleugel in beweging komt (statische wrijving) tot 333N
Nominale koppel	6Nm; overeenkomende met de capaciteit een dusdanige kracht te ontwikkelen dat de vleugel blijft lopen (dynamische wrijving) tot 200N
Snelheid bij het nominale koppel	0,18m/s
Snelheid loos (De besturingseenheid biedt de mogelijkheid 6 snelheden te programmeren, te weten ongeveer: 100, 85, 70, 55, 45, 30%)	0,34m/s
Maximale frequentie werkingscycli	50 cycli /dag (de besturingseenheid beperkt het aantal cycli tot het maximum zoals voorzien in de tabellen 1 en 2)
Maximumduur continue werking	10 minuten (de besturingseenheid beperkt de duur van continue werking tot het maximum zoals voorzien in de tabellen 1 en 2)
Gebruikslimieten	Over het algemeen is ROBUS in staat poorten met een gewicht tot 350kg of een lengte tot 7m en zoals de limieten voorzien in de tabellen 1 en 2 te automatiseren.
Stroomvoorziening ROBUS350	230Vac (+10% +15%) 50/60Hz.
Stroomvoorziening ROBUS350/V1	120Vac (+10% +15%) 50/60Hz.
Maximaal opgenomen vermogen	250VA
Isoleringsklasse	1 (aarding is noodzakelijk)
Noodstroomvoorziening	Met het apart leverbare accessoire PS124
Uitgang knipperlicht	Voor 1 knipperlicht LUCYB (lamp 12V, 21W)
Uitgang BLUEBUS	Eén uitgang met een maximale belasting van 15 eenheden BlueBus
Ingang STOP	Voor normaal gesloten contacten, normaal open contacten en/of voor constante weerstand 8,2k Ω , met automatische herkenning van de "normale" status (een verandering ten opzichte van de opgeslagen status veroorzaakt de instructie "STOP")
Ingang PP	voor normaal open contacten (sluiting van het contact geeft de instructie P.P.)
Ingang ANTENNE Radio	52 Ω Voor kabel van het type RG58 of dergelijke
Programmeerbare functies	6 functies van het type ON-OFF en 6 instelbare functies (zie de tabellen 12 en 14)
Functies met zelflering	Zelflering van de op de uitgang BlueBUS aangesloten inrichtingen Zelflering van het soort inrichting "STOP" (contact NO, NC of weerstand 8,2k Ω) Zelflering van de poortlengte en berekening van de punten van vertraging en gedeeltelijke opening.
Bedrijfstemperatuur	-20°C ÷ 50°C
Gebruik in bijzonder zure, zoute of potentieel explosieve omgeving	Nee
Beschermingsklasse	IP 44
Afmetingen en gewicht	330 x 195 h 277; 8Kg

Technische gegevens	radio-ontvanger: SMXI	radio-ontvanger: SMXIS
Typologie	Ontvanger met 4 kanalen voor radiobesturing	
Frequentie	433.92MHz	
Codering	Digitale 52 bits-rolling code, type FLO	Digitale 64 bits- rolling code, type SMILO
Compatibiliteit zenders	FLO, VERY VR; alleen enkele groep: ERGO, PLANO, PLANOTIME	SMILO
Aantal zenders dat opgeslagen kan worden	Maximaal 256 bij geheugenopslag in Modus I	
Impedantie ingang	52 Ω	
Gevoeligheid	beter dan 0,5 μ V	
Bereik van de zenders	Van 100 tot 150m, Deze afstand kan variëren wanneer er obstakels of eventuele elektromagnetische storingen zijn; ook is van invloed de plaats van de ontvangstantenne	
Uitgangen	4 (op de connector SM)	
Bedrijfstemperatuur	-10°C ÷ 55°C	

Technische gegevens	zender: FLO2R-S	zender: SM2
Typologie	Zender met 2 kanalen voor radiobesturing	
Frequentie	433.92MHz	
Codering	Digitale 52 bits-rolling code, type FLO	Digitale 64 bits- rolling code, type SMILO
Toetsen	2	
Stroomvoorziening	12Vdc met batterij type 23A	
Absorptie	25mA	
Levensduur batterij	1 jaar, geschat op een basis van 20 instructies/dag met een duur van 1s bij 20°C (bij lage temperaturen vermindert de batterijwerking)	
Uitgestraald vermogen	100 μ W	
Afmetingen en gewicht	72 x 40 h 18mm / 30g	Diameter 48 h14mm / 19g
Beschermingsklasse	IP 40 (gebruik binnenshuis of in een beschermde ruimte)	
Bedrijfstemperatuur	-40°C ÷ 85°C	

Proficiat met de keuze van een product Nice voor uw automatisering! Nice S.p.a. produceert componenten voor het automatiseren van poorten, deuren, rolpoorten, rolluiken en zonwering: reductiemotors, besturingseenheden, afstandsbedieningen, waarschuwingslichten, fotocellen en accessoires. Nice gebruikt uitsluitend kwaliteitsmateriaal en -bewerkingen, en geroepen als zij zich voelt, zoekt ze naar vernieuwende oplossingen die haar apparaten - verzorgd in de technische esthetische en ergonomische aspecten - zo gebruiksvriendelijk mogelijk maakt: in het uitgebreide programma van Nice zal uw installateur ongetwijfeld dat product uitgekozen hebben dat het meest aan uw eisen beantwoordt. Nice is echter niet de fabrikant van uw automatiseringsinstallatie, die daarentegen het resultaat is van analyse, evaluatie, keuze van materialen, en het aanleggen daarvan door uw vertrouwensinstallateur. Elke automatisering is uniek en alleen uw installateur bezit de ervaring en het vakmanschap dat nodig is om een installatie volgens uw verlangens uit te voeren, veilig en betrouwbaar in de tijd, en vooral volgens de regelen der kunst, dat wil zeggen conform de geldende voorschriften.

Een automatiseringsinstallatie is een groot gemak, een waardevol veiligheidssysteem en kan met een beetje aandacht tot in lengte van dagen duren.

Ook al beantwoordt de automatisering in uw bezit aan het in normen en wetten voorgeschreven veiligheidsniveau, dit sluit niet uit dat er een "restrisco" bestaat, dat wil zeggen de mogelijkheid dat er gevaarlijke situaties kunnen ontstaan, die gewoonlijk te wijten zijn aan onverantwoordelijk of zelfs verkeerd gebruik; hierom willen wij u enige adviezen geven hoe u met de automatisering dient om te gaan teneinde elk eventueel probleem te voorkomen:

• **Voordat u de automatisering voor de eerste maal gaat gebruiken** is het raadzaam u door de installateur te laten uitleggen waar de restrisco's ontstaan, en enkele minuten van uw tijd te besteden aan het lezen van deze handleiding **met aanwijzingen en aanbevelingen voor de gebruiker die de installateur** u overhandigd heeft. Bewaar deze handleiding voor eventuele toekomstige twijfels en geef haar aan een eventuele nieuwe eigenaar van de automatisering.

• **Uw automatisering is een machine die getrouwelijk uw instructies opvolgt;** onverantwoordelijk en oneigenlijk gebruik kan maken dat het een gevaarlijke machine wordt: laat de automatisering niet werken als er zich mensen, dieren of zaken binnen haar bereik bevinden.

• **Kinderen:** een automatiseringsinstallatie biedt een hoge graad van veiligheid, doordat ze met haar beveiligingsystemen de manoeuvre bij aanwezigheid van mensen of zaken onderbreekt en altijd een voorspelbare en veilige activering garandeert. Het is in ieder geval verstandig kinderen te verbieden in de buurt van de installatie te spelen en de afstandsbedieningen buiten hun bereik te houden om te voorkomen dat de installatie per ongeluk in werking komt: **het is geen speelgoed!**

• **Anomalieën:** Zodra u constateert dat de automatiseringsinstallatie niet werkt zoals ze dat zou moeten doen, dient u de stroomtoevoer naar de installatie te onderbreken en haar handmatig te ontgrendelen. Probeer niet zelf te repareren, maar roep de hulp van uw vertrouwensinstallateur in: intussen kan de installatie werken als een niet geautomatiseerde toegang, wanneer u de reductiemotor op de hieronder beschreven manier ontgrendeld hebt.

• **Onderhoud:** Zoals elke machine heeft uw installatie periodiek onderhoud nodig om haar zo lang mogelijk en geheel veilig te laten werken. Stel met uw installateur een onderhoudsplan met periodieke frequentie op; Nice raadt bij normaal gebruik bij een woning een onderhoudsbezoek om het half jaar aan, maar dit tijdsbestek kan variëren in functie van een meer of minder intensief gebruik. Alle controle-, onderhouds- of reparatiewerkzaamheden mogen uitsluitend door gekwalificeerd personeel worden uitgevoerd.

• Ook al bent u van mening dit te kunnen doen, breng geen wijzigingen aan de installatie en de programmerings- en afstellingsparameters van uw automatiseringsinstallatie aan: uw installateur is aansprakelijk.

• De eindtest, de periodieke onderhoudswerkzaamheden en de eventuele reparatiewerkzaamheden dienen gedocumenteerd te worden door wie die uitvoert en de documenten dienen door de eigenaar van de installatie bewaard te worden.

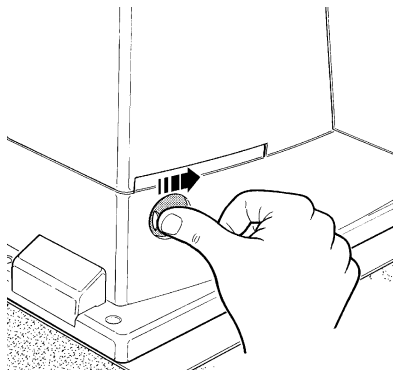
De enige werkzaamheden die de gebruiker regelmatig kan en moet uitvoeren zijn het reinigen van de glasjes van de fotocellen en het verwijderen van bladeren en stenen die het automatisme in diens werking kunnen belemmeren. Om te voorkomen dat iemand de poort in beweging kan brengen dient u eraan te denken voordat u **dit gaat doen het automatisme** (zoals verderop beschreven) te ontgrendelen en voor het schoonmaken alleen een enigszins vochtige in water gedrenkte doek te gebruiken.

• **Afvalverwerking:** Als de automatisering niet meer gebruikt kan worden, dient u zich ervan te vergewissen dat de sloop daarvan door gekwalificeerd personeel wordt uitgevoerd en dat het materiaal volgens de plaatselijk geldende voorschriften wordt hergebruikt of naar de afvalverwerking wordt gezonden.

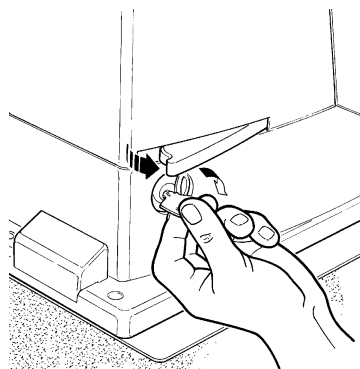
• **In geval van defecten of stroomuitval:** In afwachting van het bezoek van uw installateur, (of het terugkeren van de elektrische stroom als de installatie niet van bufferbatterijen voorzien is), mag de installatie gebruikt worden als elke andere niet-geautomatiseerde toegang. Hiertoe dient u de automatisering handmatig te ontgrendelen: aan deze handeling, die de enige is die de gebruiker van de automatisering mag uitvoeren, heeft Nice bijzonder veel aandacht besteed om u altijd een maximum aan gebruiksvriendelijkheid te garanderen, zonder dat u gereedschap moet gebruiken of fysieke kracht moet aanwenden.

Ontgrendeling en handmatige manoeuvre: voordat u dit gaat doen dient u erop te letten dat ontgrendeling alleen kan plaatsvinden wanneer de vleugel stil staat.

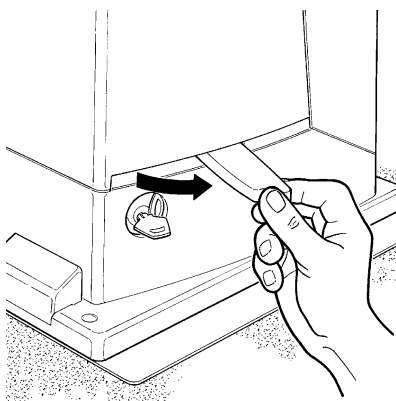
1 Verschuif het plaatje dat het slot beschermt.



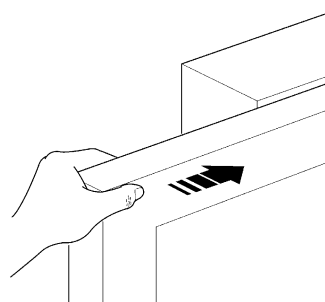
2 Steek de sleutel in het slot en draai die met de wijzers van de klok om.



3 Trek aan de ontgrendelingshandgreep.



4 Verplaats de vleugel handmatig.



Voor vergrendeling: doe hetzelfde, maar dan in omgekeerde volgorde.

Bediening wanneer de veiligheidsinrichtingen buiten gebruik zijn: indien de veiligheidsinrichtingen van de poort niet correct mochten functioneren, kunt u de poort toch bedienen

- Activeer de bediening van de poort (met de afstandsbediening, sleutelschakelaar, etc.); als alles in orde is zal de poort normaal open of dicht gaan, anders zal het knipperlicht enkele malen knipperen en zal de manoeuvre niet van start gaan (het aantal malen dat het knipperlicht knippert heeft te maken met de reden waarom de manoeuvre niet van start kan gaan).
- In dit geval moet u de bedieningsinrichting binnen 3 seconden nogmaals **activeren** en **geactiveerd houden**.
- Na ongeveer 2s komt de poort in beweging en wel in de modus "iemand aanwezig", d.w.z. zolang de bedieningsinrichting geactiveerd blijft, beweegt de poort; zodra de bedieningsinrichting losgelaten wordt, stopt de poort.

⚠ Wanneer de beveiligingen buiten gebruik zijn, moet het automatisme zo snel mogelijk gerepareerd worden..

Vervanging van de batterij van de afstandsbediening: als uw afstandsbediening na enige tijd minder lijkt te werken, of helemaal niet te werken, zou dit eenvoudigweg kunnen komen omdat de batterij leeg is (afhankelijk van het type daarvan kan dat na verschillende maanden of meer dan een jaar zijn). U kunt dit zien doordat het waarschuwingslampje dat de doorzending bevestigt, zwak brandt, of helemaal niet brandt, of slechts eventjes brandt. Voordat u zich tot de installateur wendt kunt u proberen de batterij van een andere zender die wél werkt, in te zetten als dit de oorzaak van de storing is, behoeft u alleen maar een nieuwe batterij van hetzelfde type in te zetten.

De batterijen bevatten vervuilende stoffen: gooi ze niet met het gewone huisvuil weg, maar gebruik de methoden die in de plaatselijke voorschriften voorzien zijn.

Bent u tevreden? Indien u in uw huis nog een nieuwe automatiseringsinstallatie zou willen, kunt u zich, wanneer u zich tot dezelfde installateur en Nice wendt, van de adviezen van een specialist en de meest geavanceerde producten op de markt verzekeren. Het resultaat: een automatisering die het best functioneert en een maximale compatibiliteit met de andere automatiseringen.

Wij bedanken u voor het lezen van deze aanbevelingen, en wij hopen dat u veel plezier van uw nieuwe installatie zult hebben: wend u voor elke vraag, nu of in de toekomst, vol vertrouwen tot uw installateur.

Dichiarazione di conformità Declaration of Conformity

secondo Direttiva 98/37/EC, Allegato II, parte B (dichiarazione CE di conformità del fabbricante)
according to Directive 98/37/EC, Annex II, part B (CE declaration of conformity by manufacturer)

Numero 183/ROBUS350 Revisione: 0
Number Revision

Il sottoscritto Lauro Buoro in qualità di Amministratore Delegato, dichiara sotto la propria responsabilità che il prodotto
The undersigned Lauro Buoro, managing director, declares under his sole responsibility that the following product:

Nome produttore: NICE s.p.a.
Manufacturer's name

Indirizzo Via Pezza Alta 13, 31046 Z.I. Rustignè, Oderzo (TV) Italia
Address

Tipo Motoriduttore elettromeccanico "ROBUS350" con centrale incorporata
Type "ROBUS350"electromechanical gearmotor with incorporated control unit

Modello RB350
Model

Accessori: Ricevente radio mod. SMXI; batteria di emergenza PS124
Accessories SMXI radio receiver; PS124 emergency battery

Risulta conforme a quanto previsto dalle seguenti direttive comunitarie:
Satisfies the essential requirements of the following Directives

98/37/CE (ex 89/392/CEE); DIRETTIVA 98/37/CE DEL PARLAMENTO EUROPEO E DEL CONSIGLIO del 22 giugno 1998 concernente il ravvicinamento delle legislazioni degli Stati membri relative alle macchine.
98/37/CE; (ex 89/392/EEC) DIRECTIVE 98/37/EC OF THE EUROPEAN PARLIAMENT AND OF THE COUNCIL of June 22, 1998, for the harmonisation of the legislations of member States regarding machines.

73/23/CEE; DIRETTIVA 73/23/CEE DEL CONSIGLIO del 19 febbraio 1973 concernente il riavvicinamento delle legislazioni degli Stati membri relative al materiale elettrico destinato ad essere adoperato entro taluni limiti di tensione.
73/23/EEC; DIRECTIVE 73/23/EEC OF THE COUNCIL of February 19, 1973 for the harmonisation of the legislations of member States regarding electrical equipment designed to be used within certain voltage limits.

89/336/CEE; DIRETTIVA 89/336/CEE DEL CONSIGLIO del 3 maggio 1989, per il riavvicinamento delle legislazioni degli Stati membri relative alla compatibilità elettromagnetica.
89/336/EEC; DIRECTIVE 89/336/EEC OF THE COUNCIL of May 3, 1989, for the harmonisation of the legislations of member States regarding electromagnetic compatibility.

Inoltre dichiara che non è consentita la messa in servizio del prodotto sopra indicato finché la macchina, in cui il prodotto è incorporato, non sia stata identificata e dichiarata conforme alla direttiva 98/37/CE.
The undersigned declares moreover that the components described above may not be put into service before the machine in which they are incorporated has been identified and declared to comply with the provisions of Directive 98/37/EC.

Il prodotto sopra indicato si intende parte integrante di una delle configurazioni di installazione tipiche, come riportato nei nostri cataloghi generali
This product is considered to be an integral part of one of the typical installation configurations, as shown in our general catalogues.

Oderzo, 19 Marzo 2004
Oderzo, 19th March 2004

Amministratore Delegato
Managing Director
Lauro Buoro




COMPANY
WITH QUALITY SYSTEM
CERTIFIED BY DNV
=ISO 9001/2000=

 **Nice SpA**
Oderzo TV Italia
Tel. +39.0422.85.38.38
Fax +39.0422.85.35.85
info@niceforyou.com

 **Nice Padova**
Sarmeola di Rubano PD Italia
Tel. +39.049.89.78.93.2
Fax +39.049.89.73.85.2
infopd@niceforyou.com

 **Nice Roma**
Roma Italia
Tel. +39.06.72.67.17.61
Fax +39.06.72.67.55.20
inforoma@niceforyou.com

 **Nice France**
Buchelay
Tel. +33.(0)1.30.33.95.95
Fax +33.(0)1.30.33.95.96

 **Nice Rhône-Alpes**
Decines Charpieu France
Tel. +33.(0)4.78.26.56.53
Fax +33.(0)4.78.26.57.53

 **Nice France Sud**
Aubagne France
Tel. +33.(0)4.42.62.42.52
Fax +33.(0)4.42.62.42.50

 **Nice Belgium**
Leuven (Heverlee)
Tel. +32.(0)16.38.69.00
Fax +32.(0)16.38.69.01
info@be.niceforyou.com

 **Nice España Madrid**
Tel. +34.9.16.16.33.00
Fax +34.9.16.16.30.10
info@es.niceforyou.com

 **Nice España Barcelona**
Tel. +34.9.35.88.34.32
Fax +34.9.35.88.42.49
info@es.niceforyou.com

 **Nice Polska**
Pruszków
Tel. +48.22.728.33.22
Fax +48.22.728.25.10
info@pl.niceforyou.com

 **Nice UK**
Chesterfield
Tel. +44.87.07.55.30.10
Fax +44.87.07.55.30.11
info@uk.niceforyou.com

 **Nice China**
Shanghai
Tel. +86.21.575.701.46/45
Fax +86.21.575.701.44
info@cn.niceforyou.com